

RACE	
TRACK NAME	
CITY / COUNTRY	
DATE	

TEMPERATURE	AIR	TRACK	
QUALIFYING POSITION	BEST LAP TIME SEC	FINAL POSITION	RACE LENGTH MIN
TRACK CONDITION			
<input type="checkbox"/> TECHNICAL	<input type="checkbox"/> CARPET	<input type="checkbox"/> ASPHALT	<input type="checkbox"/> FAST
<input type="checkbox"/> MIXED	<input type="checkbox"/> LOW	<input type="checkbox"/> MEDIUM	<input type="checkbox"/> HIGH

TRANSMISSION			
GEAR DIFF OIL	CST	NUMBER OF GEARS	2 4
PINION	T	SPUR GEAR	T
FINAL DRIVE RATIO			

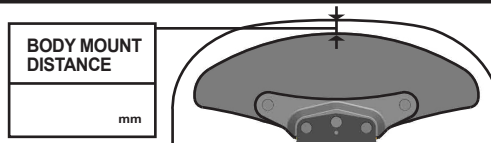
SHOCK SET			
<input type="checkbox"/> PDS FRONT	<input type="checkbox"/> PDS REAR		
FRONT		REAR	
CST	OIL	CST	
mm	SPRING	mm	
%	HOLES / DIAMETER	%	
	REBOUND		

ANTI-ROLL BAR			
FRONT	mm	REAR	mm

TIRES			
ADDITIVE TIMING			
ADDITIVE			
FL	FR	RL	RR
TREATED AREA			

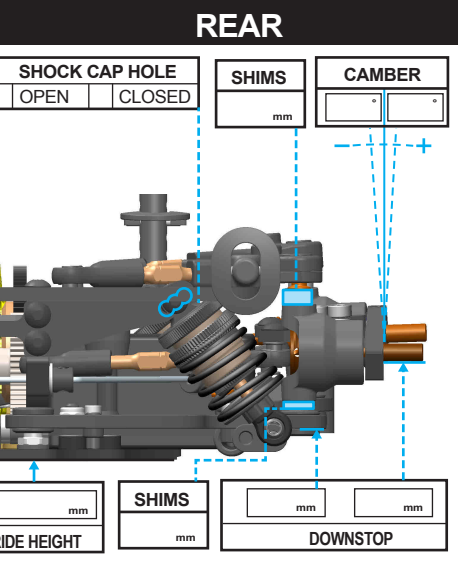
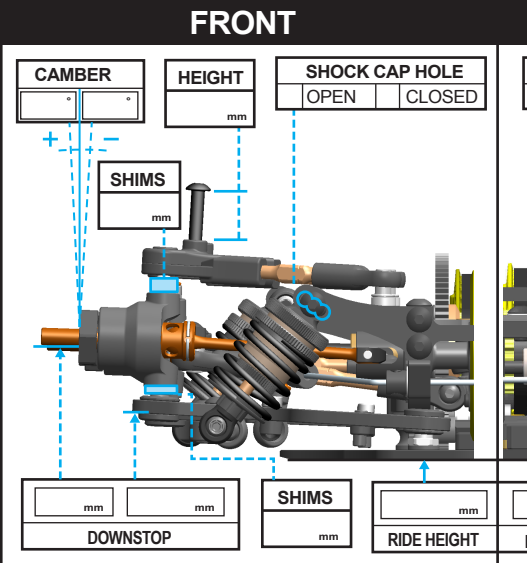
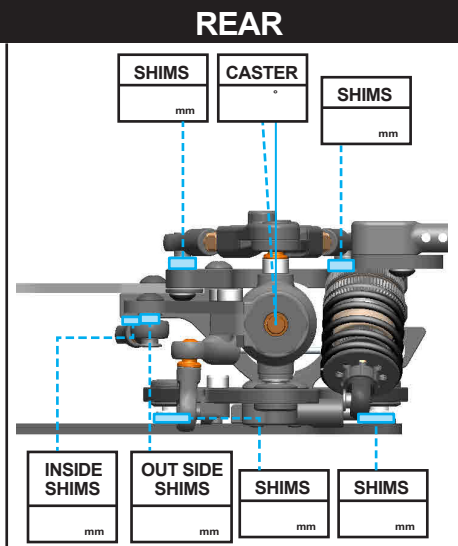
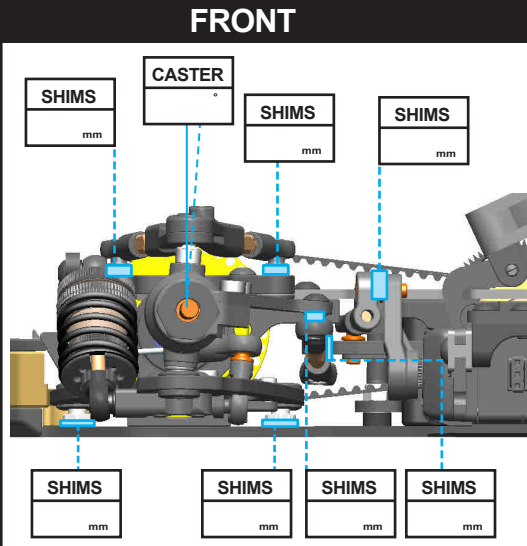
BODY MOUNT DISTANCE	mm
BODY	WING

FL	FR	RL	RR
TREATED AREA			



BODY	WING
------	------

NOTE	



CHASSIS SETUP

