

RACE

TRACK

NAME

CITY / COUNTRY

DATE

TEMPERATURE	AIR	TRACK	
QUALIFYING POSITION	BEST LAP TIME	FINAL POSITION	RACE LENGTH
	SEC		MIN
TRACK CONDITION	<input type="checkbox"/> TECHNICAL	<input type="checkbox"/> MIXED	<input type="checkbox"/> FAST
TRACTION	<input type="checkbox"/> LOW	<input type="checkbox"/> MEDIUM	<input type="checkbox"/> HIGH

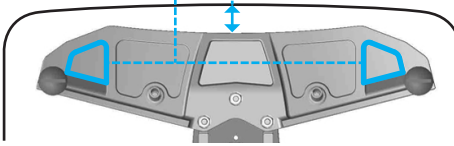
GEAR RATIO CHART

Spur Pinion \ 56	56	57	58	60	61	62
22	<input type="checkbox"/> 6.11	<input type="checkbox"/> 6.22	<input type="checkbox"/> 6.33	<input type="checkbox"/> 6.55	<input type="checkbox"/> 6.65	<input type="checkbox"/> 6.76
23	<input type="checkbox"/> 5.84	<input type="checkbox"/> 5.95	<input type="checkbox"/> 6.05	<input type="checkbox"/> 6.26	<input type="checkbox"/> 6.37	<input type="checkbox"/> 6.47
24	<input type="checkbox"/> 5.60	<input type="checkbox"/> 5.70	<input type="checkbox"/> 5.80	<input type="checkbox"/> 6.00	<input type="checkbox"/> 6.10	<input type="checkbox"/> 6.20
25	<input type="checkbox"/> 5.38	<input type="checkbox"/> 5.47	<input type="checkbox"/> 5.57	<input type="checkbox"/> 5.76	<input type="checkbox"/> 5.86	<input type="checkbox"/> 5.95
26	<input type="checkbox"/> 5.17	<input type="checkbox"/> 5.26	<input type="checkbox"/> 5.35	<input type="checkbox"/> 5.54	<input type="checkbox"/> 5.63	<input type="checkbox"/> 5.72
27	<input type="checkbox"/> 4.98	<input type="checkbox"/> 5.07	<input type="checkbox"/> 5.16	<input type="checkbox"/> 5.33	<input type="checkbox"/> 5.42	<input type="checkbox"/> 5.51
28	<input type="checkbox"/> 4.80	<input type="checkbox"/> 4.89	<input type="checkbox"/> 4.97	<input type="checkbox"/> 5.14	<input type="checkbox"/> 5.23	<input type="checkbox"/> 5.31
29	<input type="checkbox"/> 4.63	<input type="checkbox"/> 4.72	<input type="checkbox"/> 4.80	<input type="checkbox"/> 4.97	<input type="checkbox"/> 5.05	<input type="checkbox"/> 5.13
30	<input type="checkbox"/> 4.48	<input type="checkbox"/> 4.56	<input type="checkbox"/> 4.64	<input type="checkbox"/> 4.80	<input type="checkbox"/> 4.88	<input type="checkbox"/> 4.96

Front		SHOCK		Rear	
OIL	SHOCK PISTON	OIL		OIL	
<input type="checkbox"/> CST	HOLE SIZE	<input type="checkbox"/> CST		<input type="checkbox"/> CST	
SPRING	F <input type="checkbox"/> mm	SPRING		SPRING	
	R <input type="checkbox"/> mm				

Front		TIRE		Rear	
Front Left	Tire Shore	Rear Left		Rear Right	
<input type="checkbox"/> °		<input type="checkbox"/> °		<input type="checkbox"/> °	
Front Right	Tire Ø	Rear Left		Rear Right	
<input type="checkbox"/> mm		<input type="checkbox"/> mm		<input type="checkbox"/> mm	
Front Left	Tire Additive	Rear Left		Rear Right	
<input type="checkbox"/> mm		<input type="checkbox"/> mm		<input type="checkbox"/> mm	

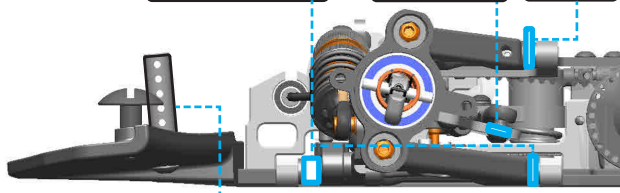
BODY	
Bumper	BODY MOUNT DISTANCE
<input type="checkbox"/> Standard	<input type="checkbox"/> mm
<input type="checkbox"/> Cut	



BODY	WING	mm
------	------	----

NOTE

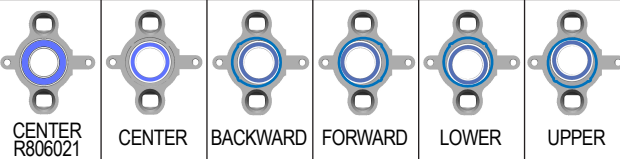
WHEEL BASE	BUMP STEER	CASTER
<input type="checkbox"/> mm <input type="checkbox"/> mm	<input type="checkbox"/> mm	<input type="checkbox"/> mm



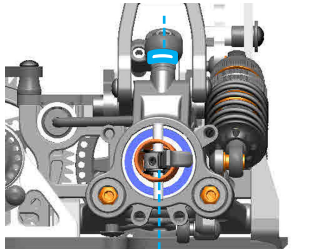
TOWER POSITION	FRONT ARM
<input type="checkbox"/> mm	<input type="checkbox"/> S <input type="checkbox"/> M <input type="checkbox"/> H

STEERING BLOCK SETUP

<input type="checkbox"/> CENTER R806021	<input type="checkbox"/> CENTER	<input type="checkbox"/> BACKWARD	<input type="checkbox"/> FORWARD	<input type="checkbox"/> LOWER	<input type="checkbox"/> UPPER
---	---------------------------------	-----------------------------------	----------------------------------	--------------------------------	--------------------------------



REAR UPRIGHTSHIMS	mm
-------------------	----

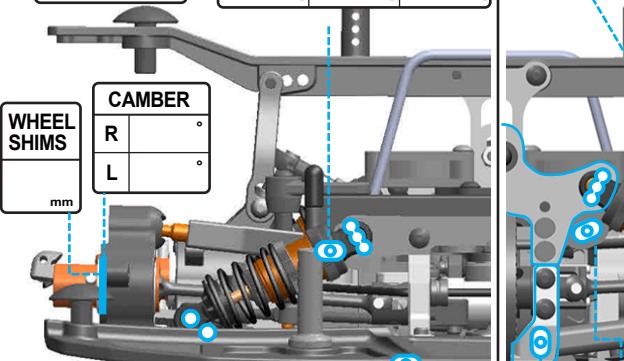


ECCENTER HUB

<input type="checkbox"/> Up	<input type="checkbox"/> Middle	<input type="checkbox"/> R806021
-----------------------------	---------------------------------	----------------------------------

REAR ARM	<input type="checkbox"/> S <input type="checkbox"/> M <input type="checkbox"/> H
----------	--

FRONT		REAR	
RIDE HEIGHT	FRONT UPPER ARM	1 HOLE	RIDE HEIGHT
<input type="checkbox"/> mm	<input type="checkbox"/> <input type="checkbox"/> <input type="checkbox"/>	<input type="checkbox"/> <input type="checkbox"/>	<input type="checkbox"/> mm
WHEEL SHIMS	CAMBER	2 HOLES INSIDE	2 HOLES OUTSIDE
<input type="checkbox"/> mm	R <input type="checkbox"/> °	<input type="checkbox"/> <input type="checkbox"/>	<input type="checkbox"/> <input type="checkbox"/>
	L <input type="checkbox"/> °		
		CAMBER	WHEEL SHIMS
		R <input type="checkbox"/> °	<input type="checkbox"/> mm
		L <input type="checkbox"/> °	



DOWN STOP	FRONT LOW ARM	REAR ROLL CENTER	I-TYPE
<input type="checkbox"/> mm	<input type="checkbox"/> <input type="checkbox"/> <input type="checkbox"/>	<input type="checkbox"/> <input type="checkbox"/>	<input type="checkbox"/> <input type="checkbox"/>

REAR UPPER LINK	DOWN STOP
<input type="checkbox"/> <input type="checkbox"/> <input type="checkbox"/>	<input type="checkbox"/> mm

WHELL DISK	REAR TOE	FRONT TOE	WHELL DISK
<input type="checkbox"/>	IN <input type="checkbox"/> °	OUT <input type="checkbox"/> °	<input type="checkbox"/>
REAR ANTI-ROLL BAR	UPPER DECK	FRONT ANTI-ROLL BAR	
<input type="checkbox"/> mm	<input type="checkbox"/> FIX <input type="checkbox"/> FLEX	<input type="checkbox"/> mm	
	<input type="checkbox"/> FIX <input type="checkbox"/> REMOVED		
	R838003		
	<input type="checkbox"/> FIX <input type="checkbox"/> REMOVED		
ACKERMAN	STIFFENER		
<input type="checkbox"/> 10mm <input type="checkbox"/> 9mm <input type="checkbox"/> 8.5mm	REMOVED		
<input type="checkbox"/> <input type="checkbox"/> <input type="checkbox"/>	R828004		
TRACK WIDTH	TRACK WIDTH		
<input type="checkbox"/> mm	<input type="checkbox"/> mm		

