

EA

1/8 ELECTRIC BUGGY



GEN IV PRO KIT



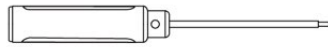
Instruction Manual

Agama vehicles fit a wide range of skilled drivers. Pros and Beginners alike can experience Agama products with great results! Agama products are designed with quality and precision in mind.

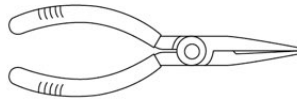
INTRODUCTION	01
CAUTION	02
BAG A Front Diff Installation	03
Rear Diff Installation	04
Center Diff Installation	05
BAG B Shock Install (Front & Rear)	06-07
BAG C Front Spindle & CVD Installation	08
BAG D Front End Installation	09-11
BAG E Rear Hub & CVD Installation	12
BAG F Rear End Installation	13-14
BAG G Center Installation	15
BAG H Receiver & Steer Servo Assembly	16
BAG J Servo Saver Assembly	17
BAG K Side Guard Installation/ Chassis Installation	20
CHASSIS INSTALLATION	18-29
FACTORY SETUP SHEET	30-32

Notice: The following items are needed for completion of the PRO KIT, They are not included with this kit (unless noted), and should be obtained from your local hobby shop.
Be sure to read the instructions completely prior to assembly.

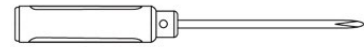
TOOLS NEEDED TO ASSEMBLE



Hex Wrenches



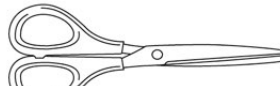
Needle Nose Pliers



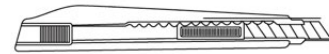
Phillips Type Screw Driver



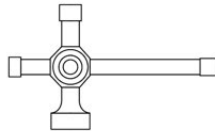
Box Wrench(5.5mm / 7mm / 10mm)



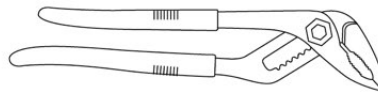
Scissors



Hobby Knife



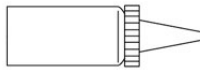
Utility Wrench



Pliers



Glass or Vinyl Tape



Instant Glue

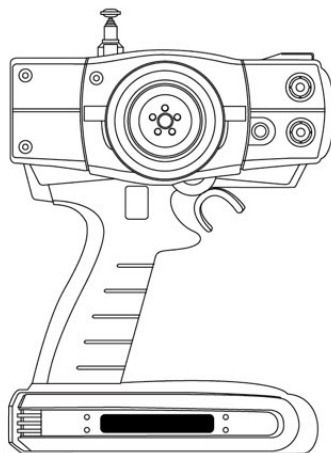


Rubber Glue

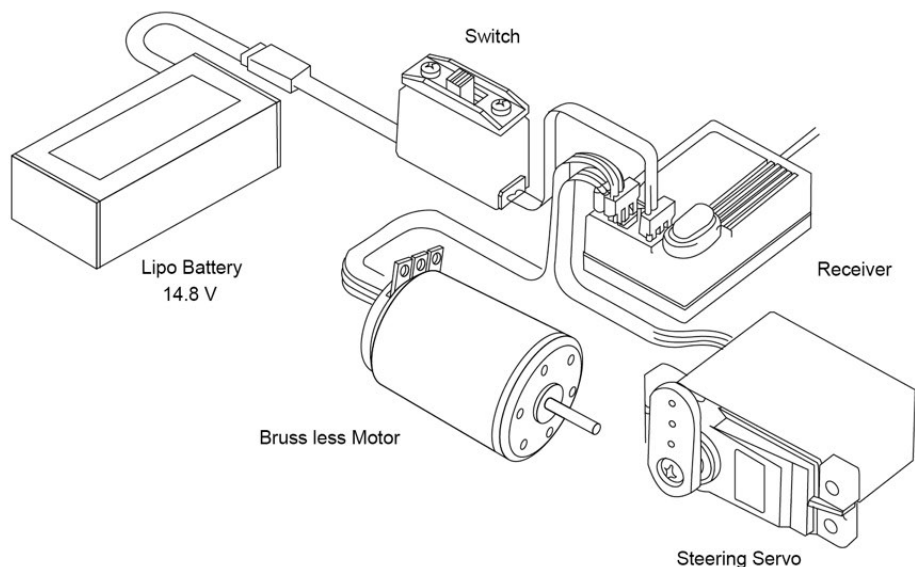


Screw (Sement)

ITEMS NEEDED TO CONTROL CAR

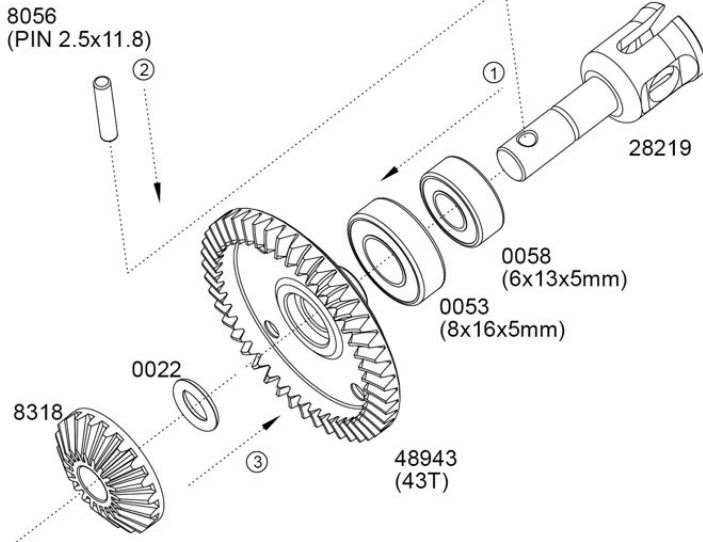


Transmitter



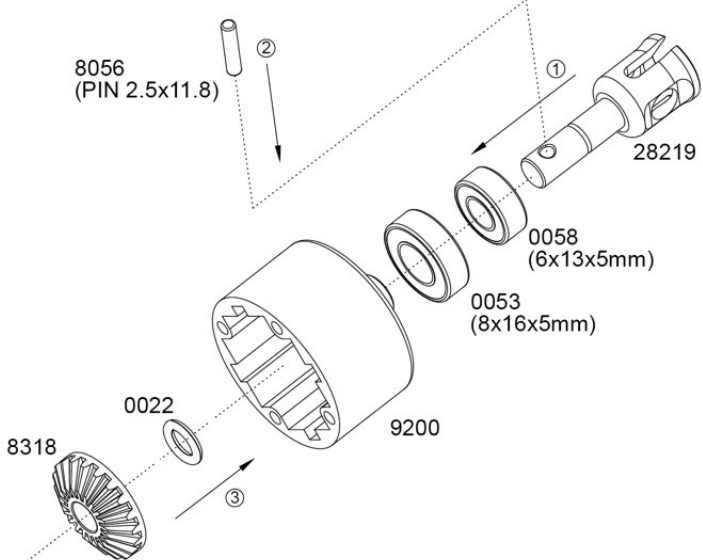
STEP A - 1

Front Diff Ring Gear Assembly



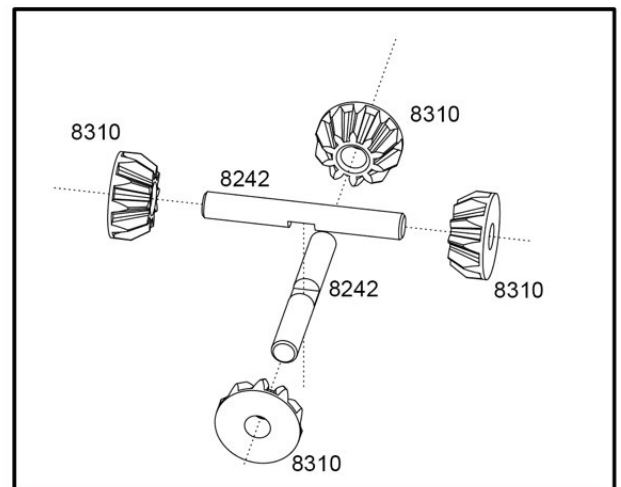
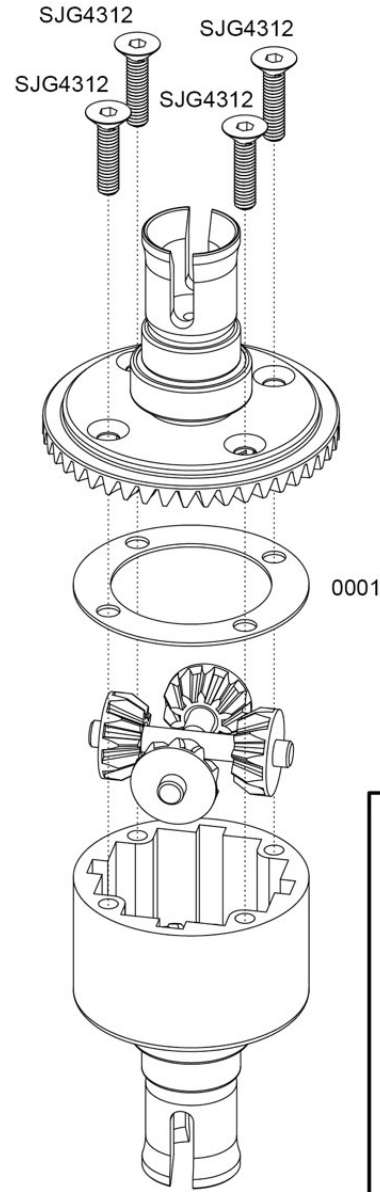
STEP A - 2

Front Diff Case Assembly



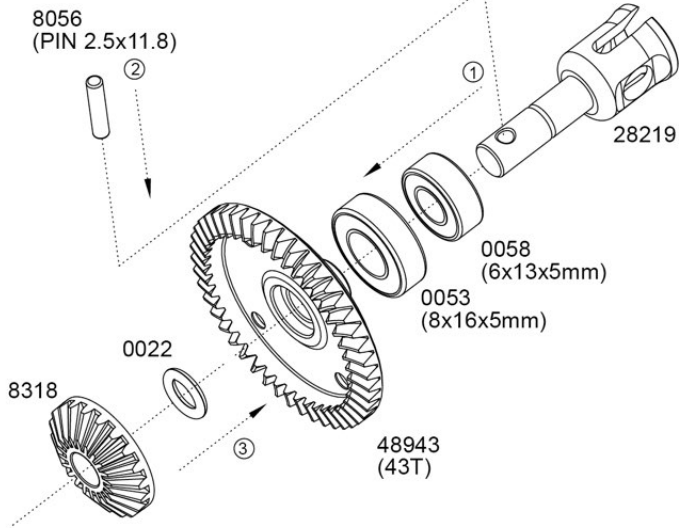
STEP A - 3

Complete Front Diff Assembly



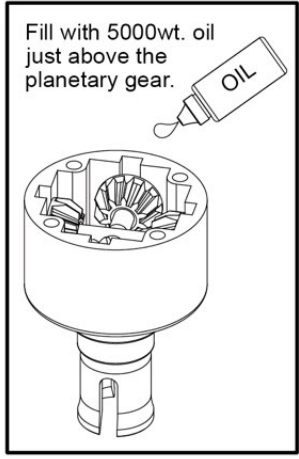
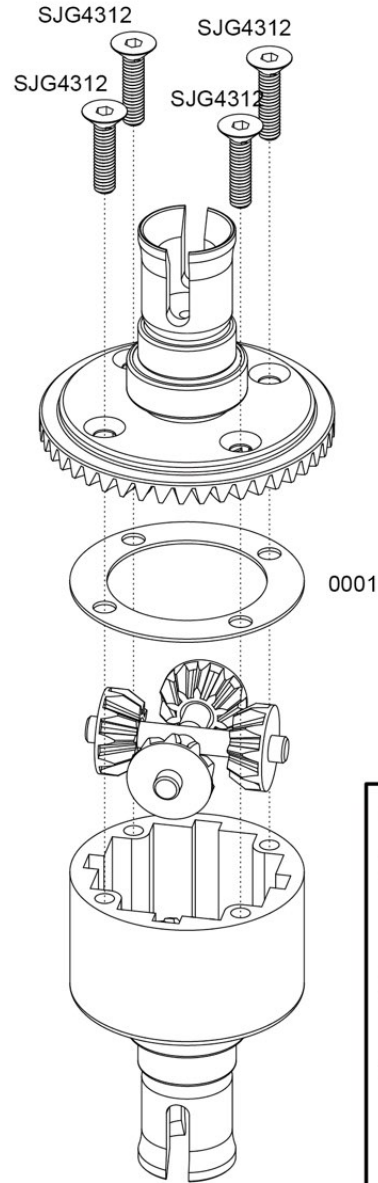
STEP A - 4

Rear Diff Ring Gear Assembly



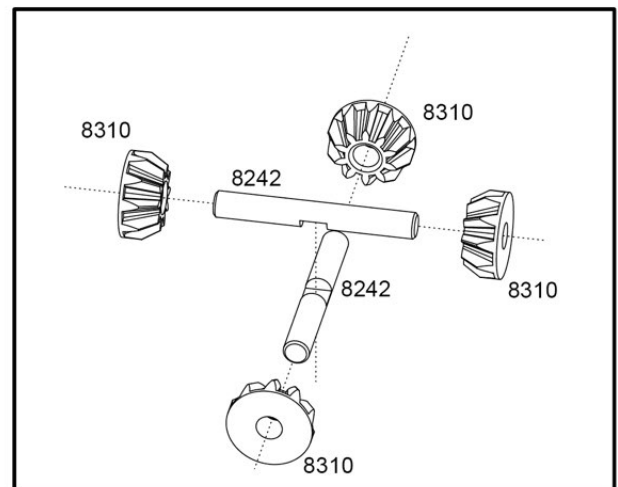
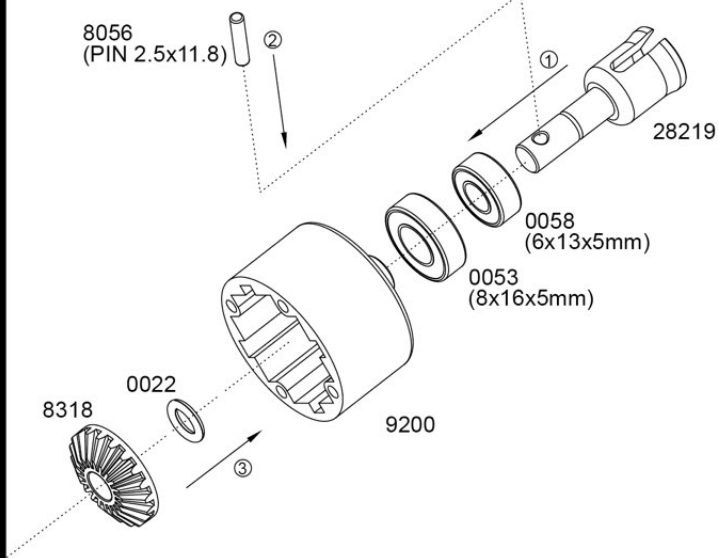
STEP A - 6

Complete Rear Diff Assembly



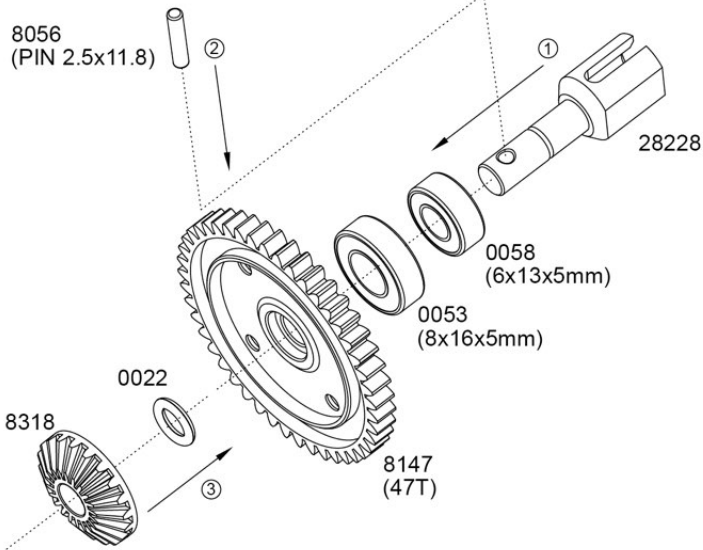
STEP A - 5

Rear Diff Case Assembly



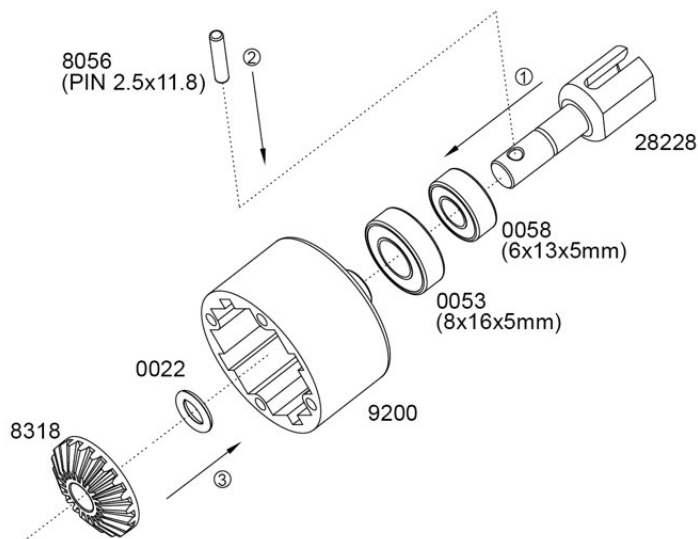
STEP A - 7

Center Diff Ring Gear Assembly



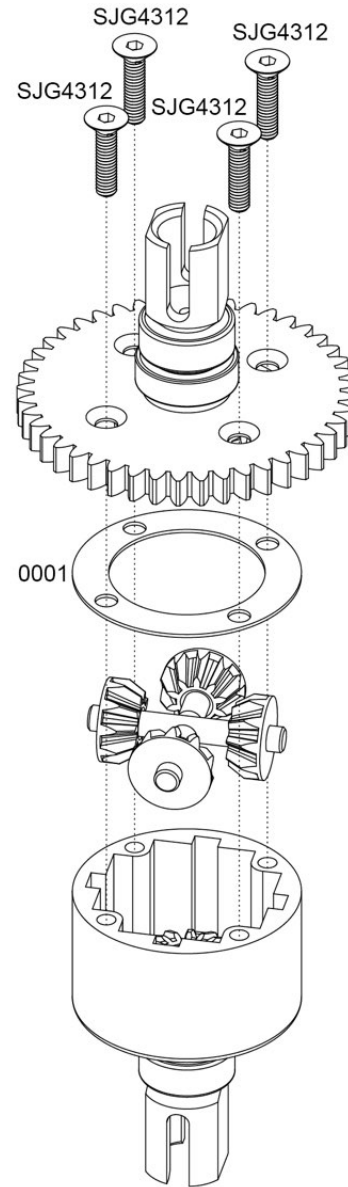
STEP A - 8

Center Diff Case Assembly

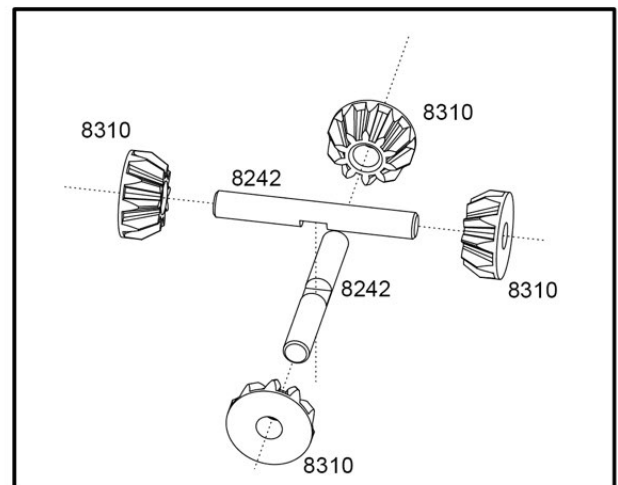
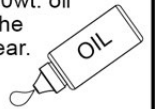


STEP A - 9

Complete Center Diff Assembly

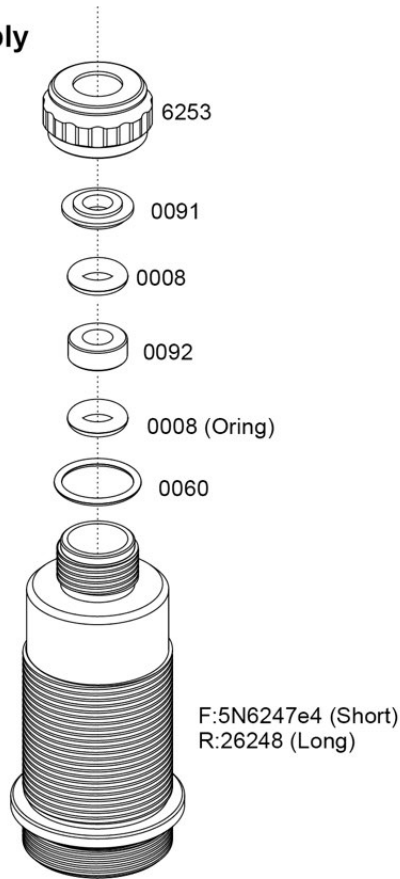


Fill with 5000wt. oil just above the planetary gear.



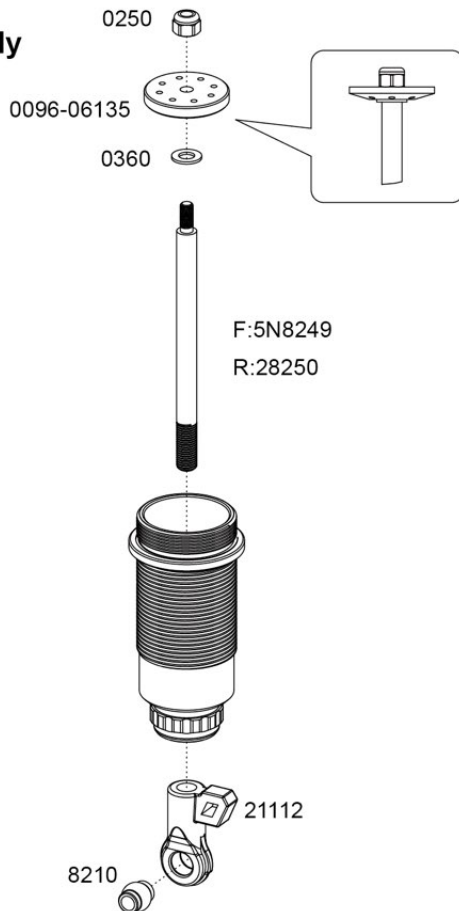
STEP B - 1

Shock Assembly (Front & Rear)



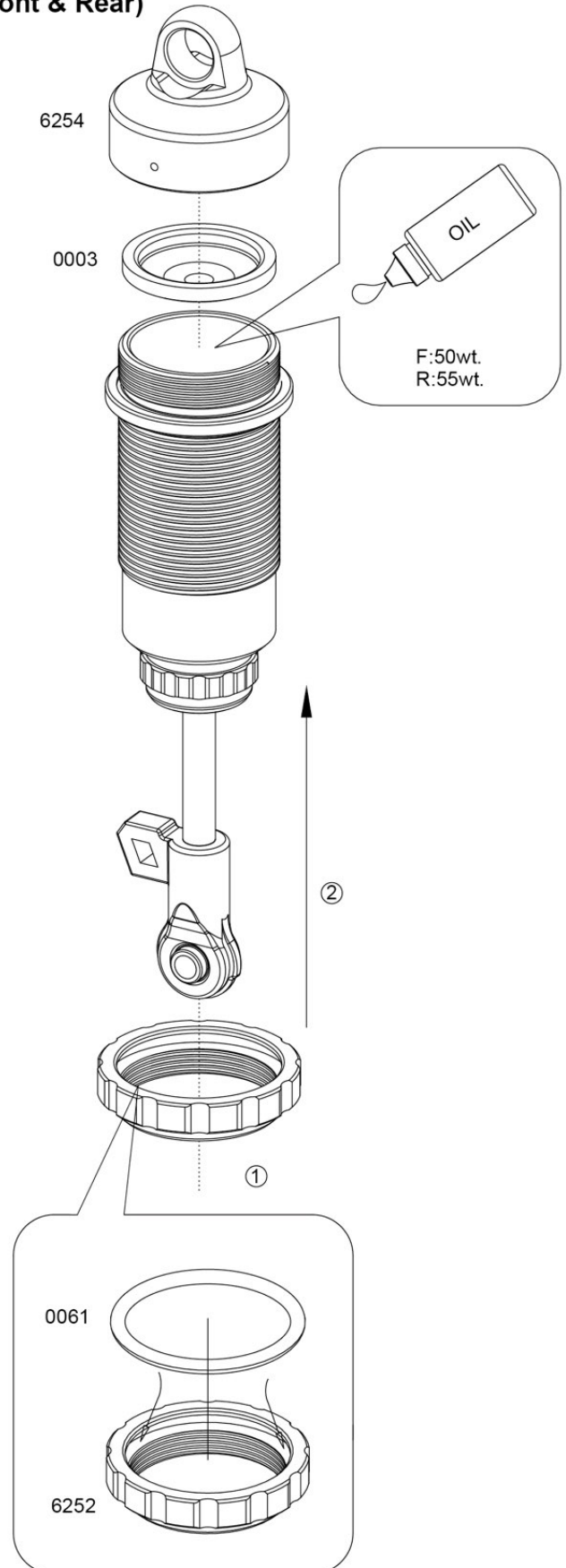
STEP B - 2

Shock Assembly (Front & Rear)



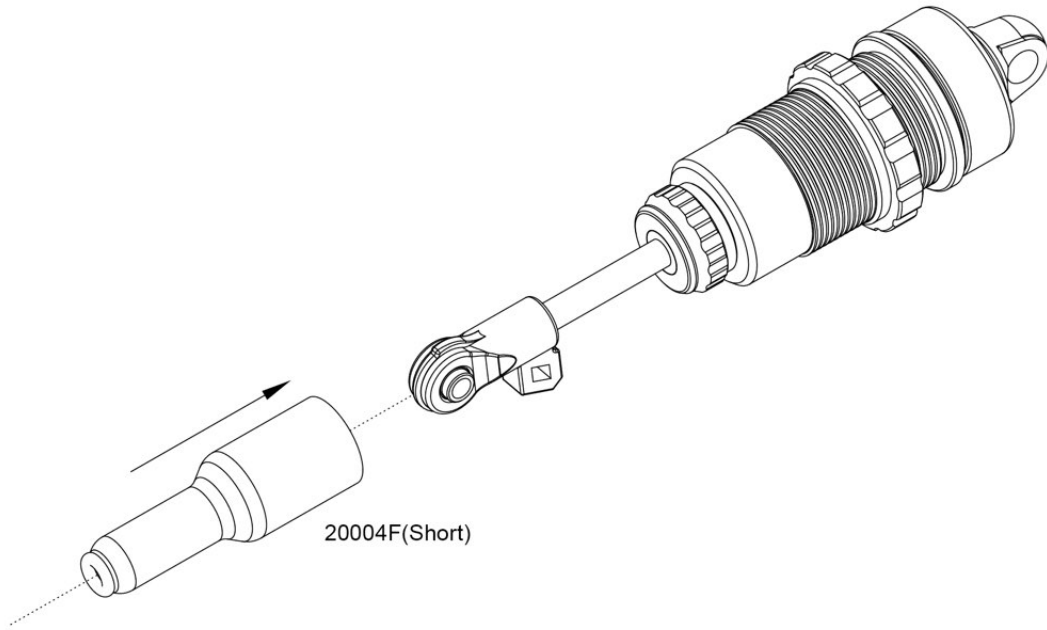
STEP B - 3

Shock Assembly (Front & Rear)



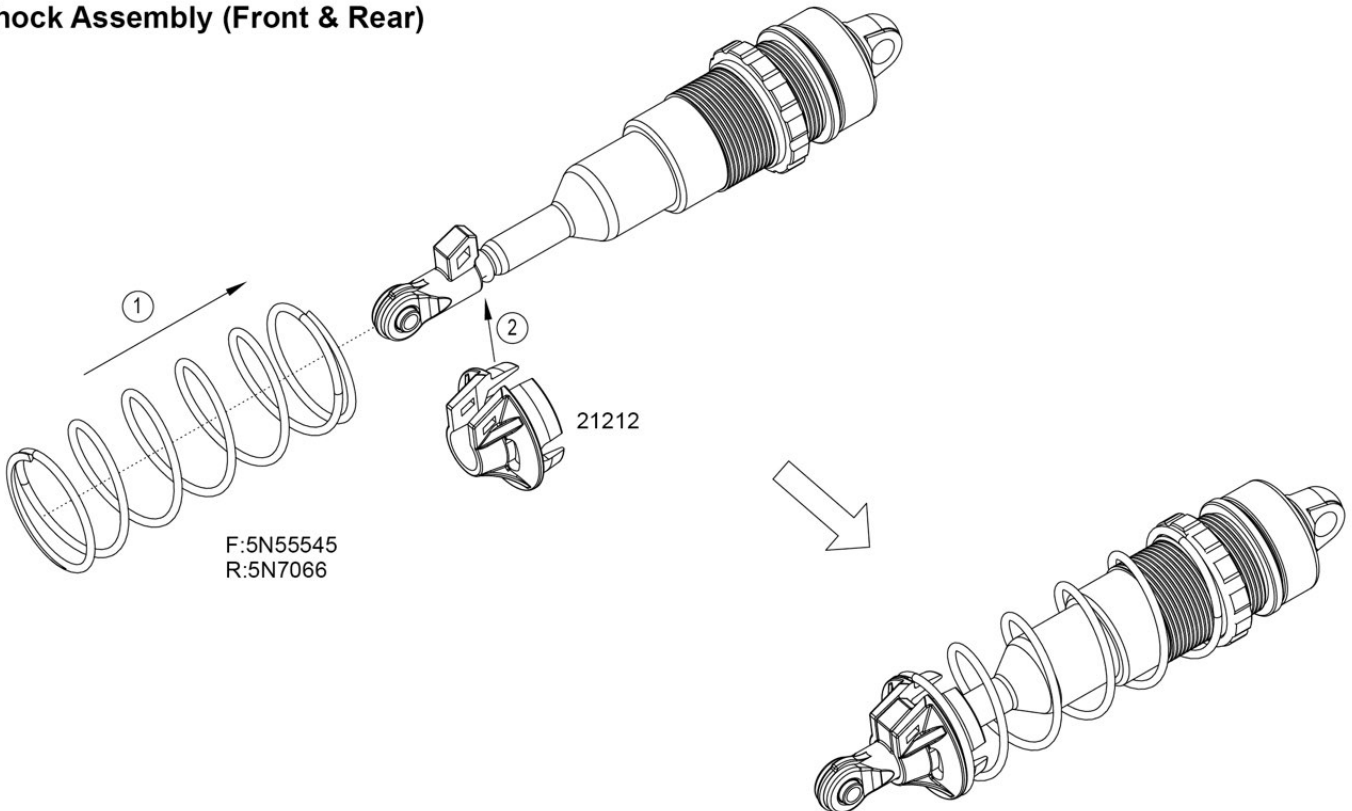
STEP B - 4

Shock Assembly (Front & Rear)



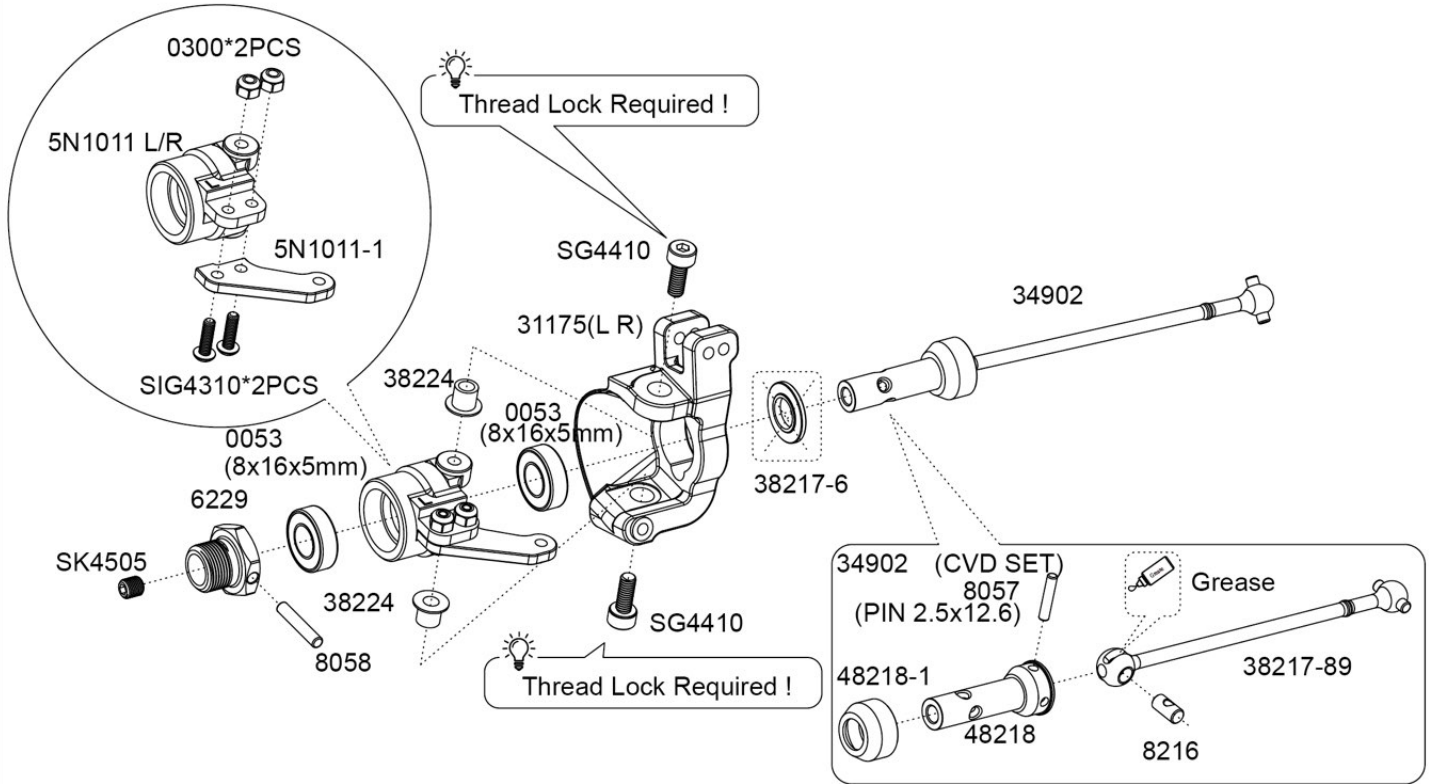
STEP B - 5

Shock Assembly (Front & Rear)



STEP C - 1

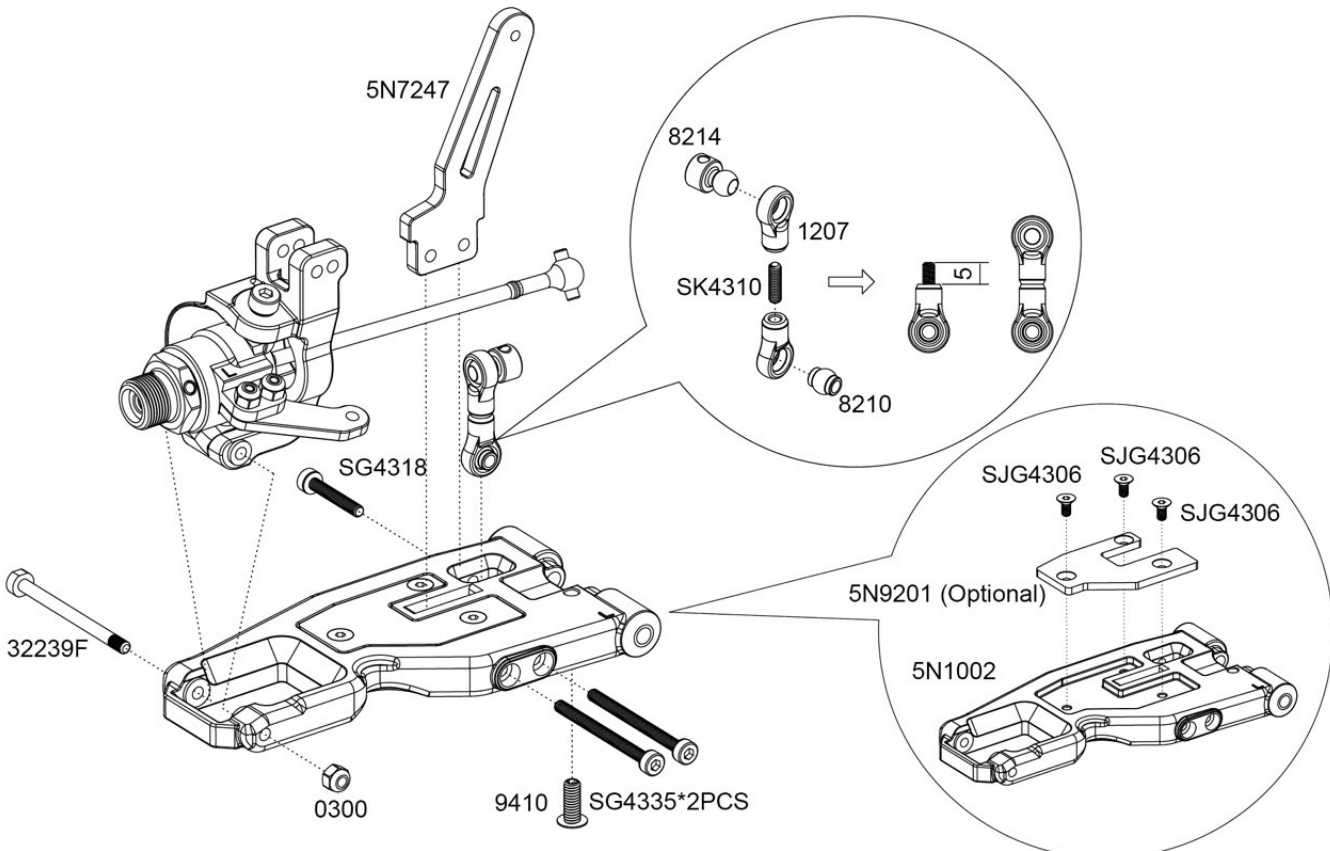
Front Spindle & Drive Shaft Assembly (Left/Right)



STEP C - 2

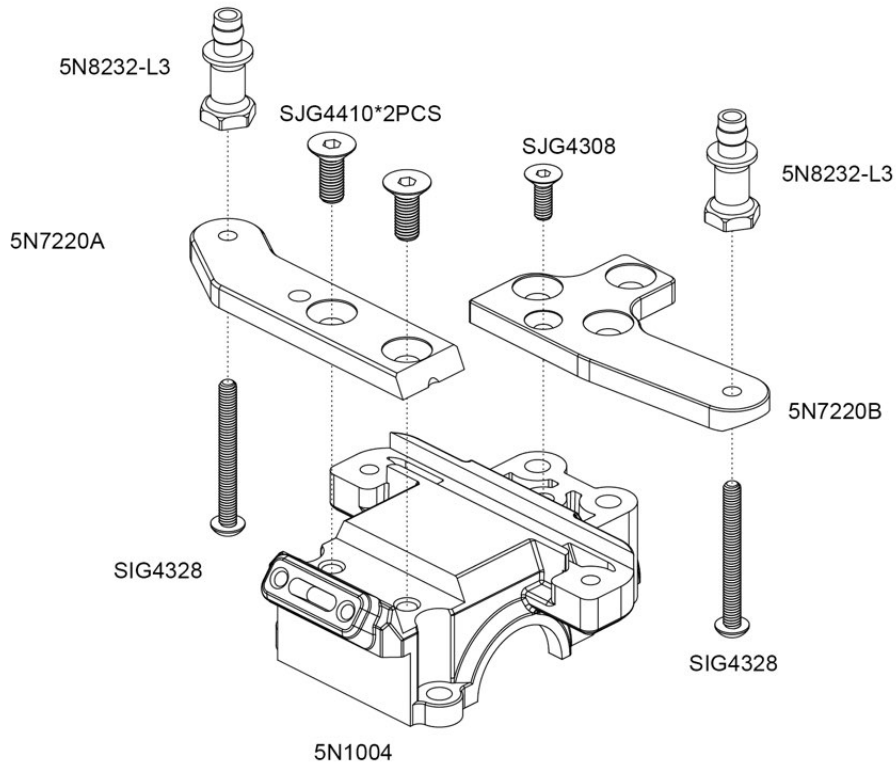
SG4335*2 / SG4314*2

Front Spindle/Carrier & Suspension Arms Assembly (Left/Right)



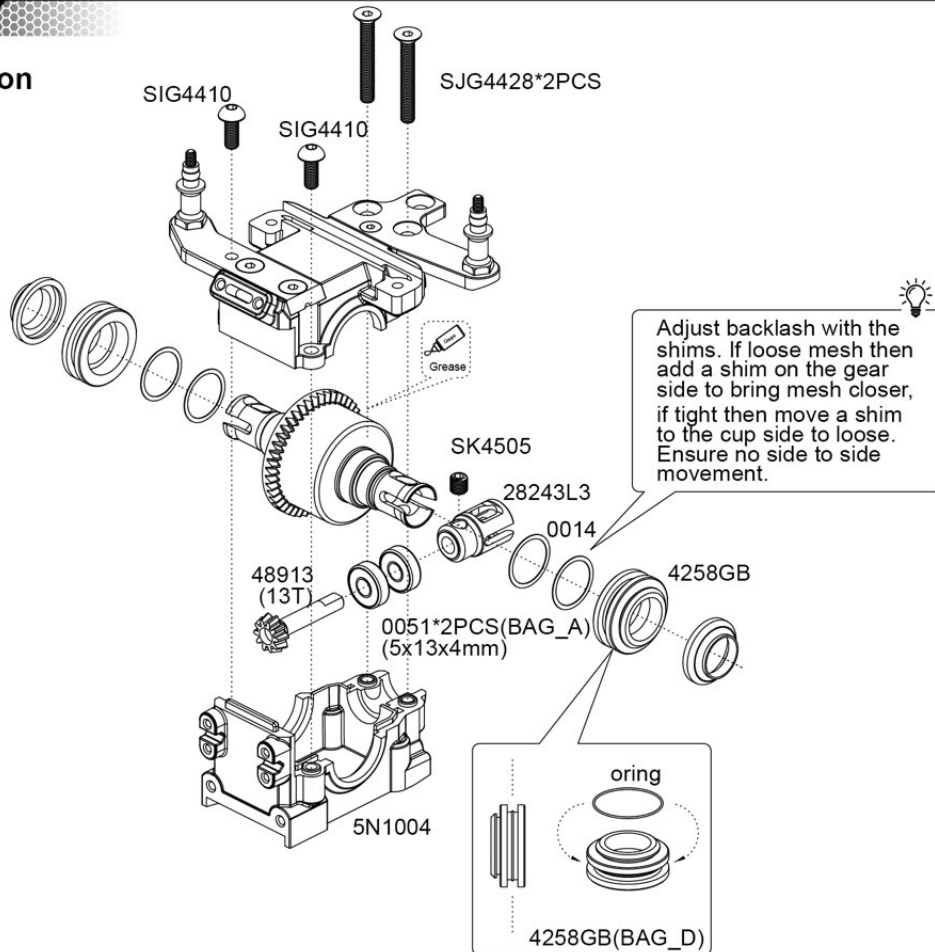
STEP D - 1

Front Diff Case/Shock Bracket Assembly



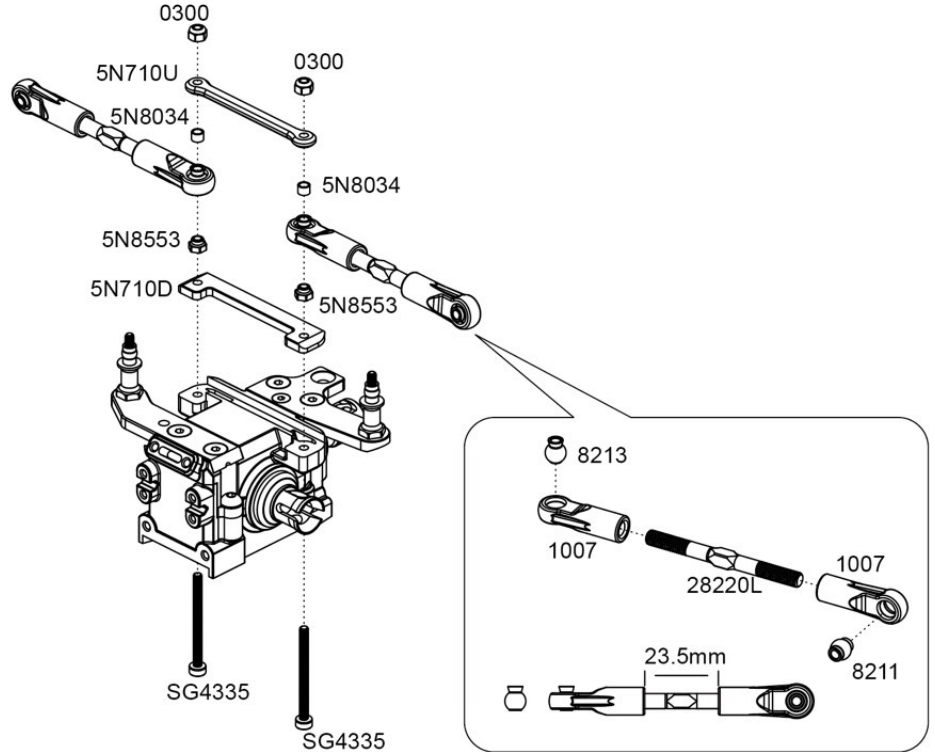
STEP D - 2

Front Diff Installation



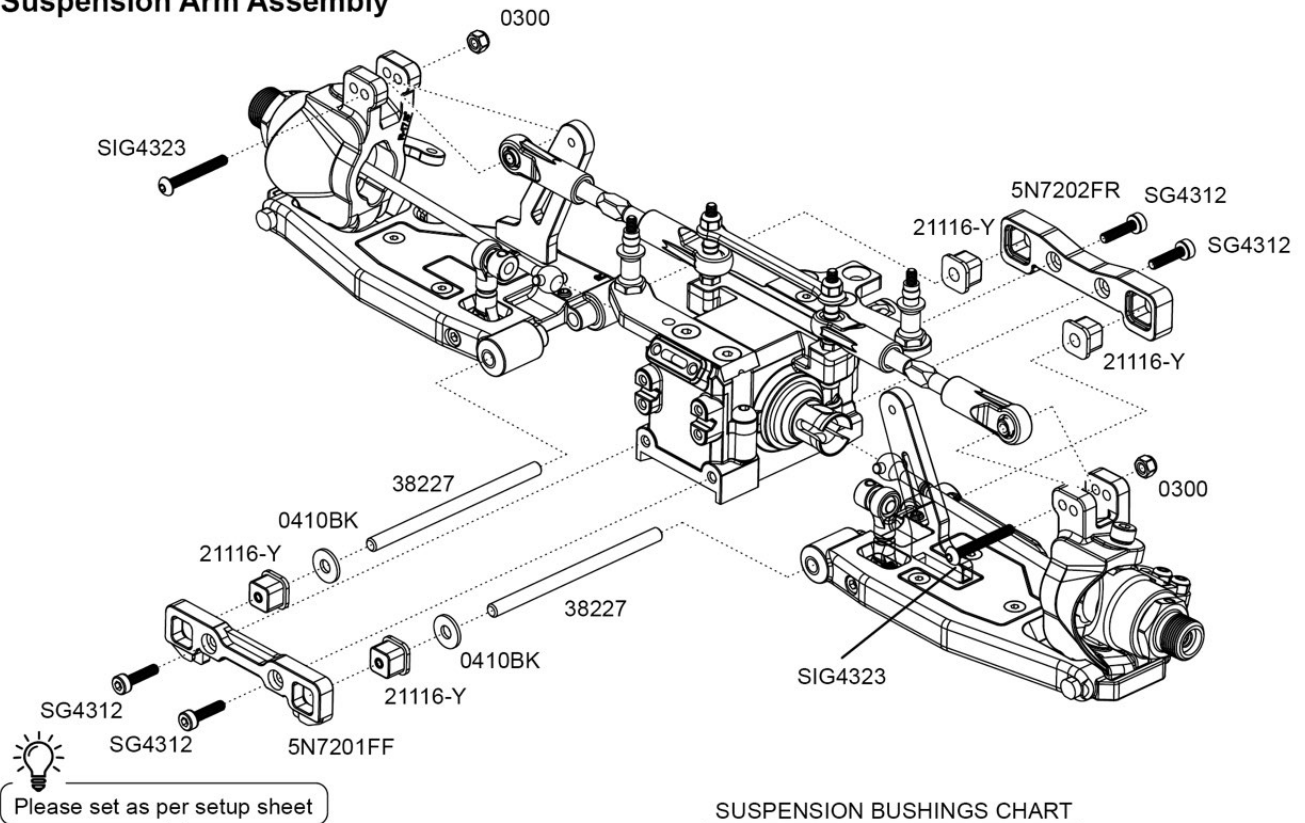
STEP D - 3

Front Camber Link Installation

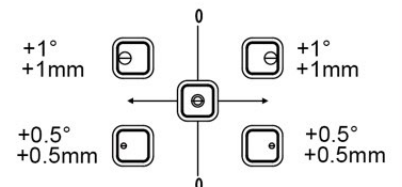
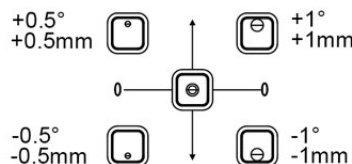
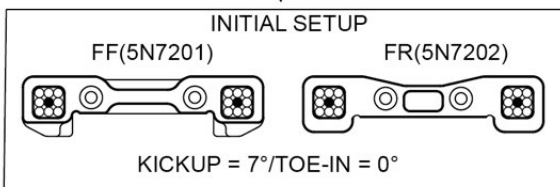


STEP D - 4

Front Suspension Arm Assembly

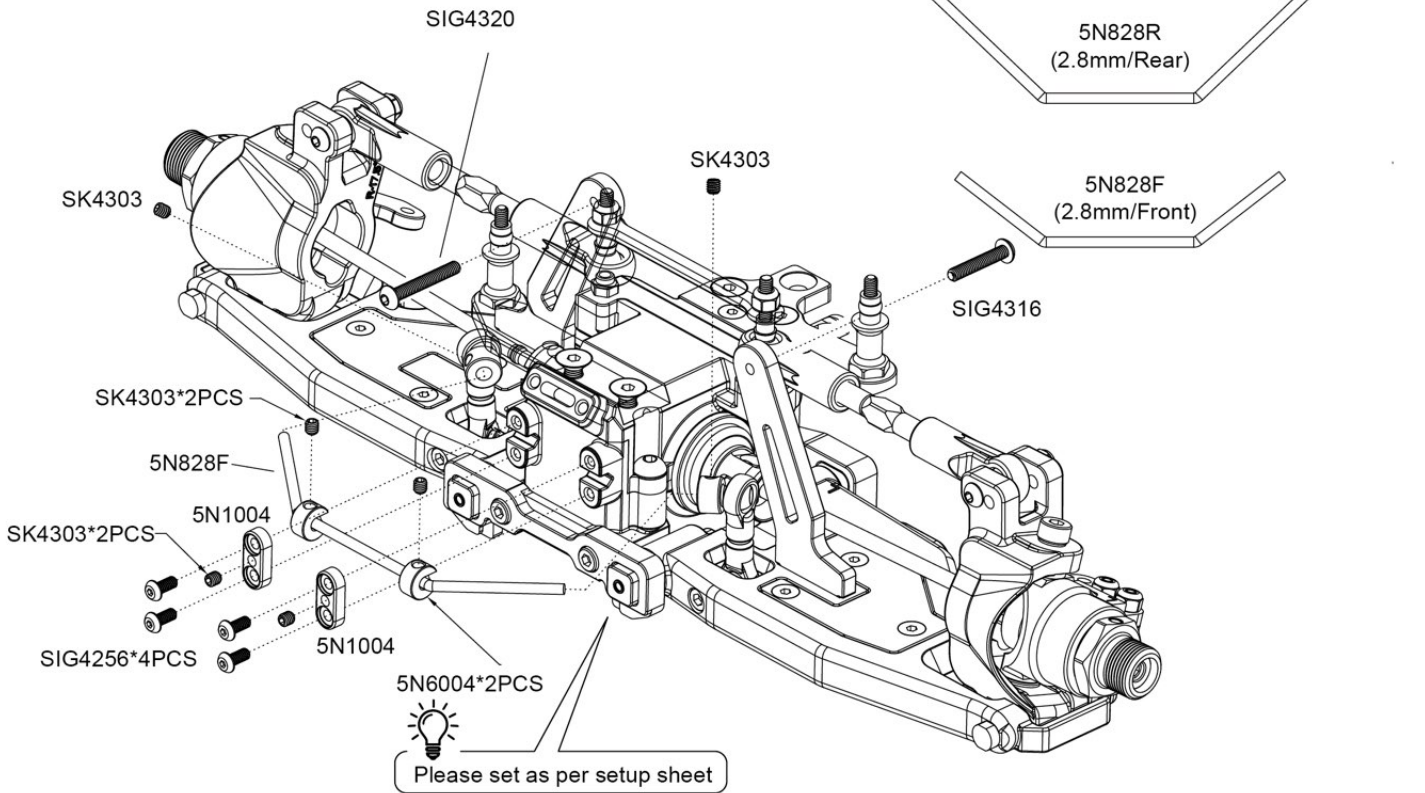


SUSPENSION BUSHINGS CHART



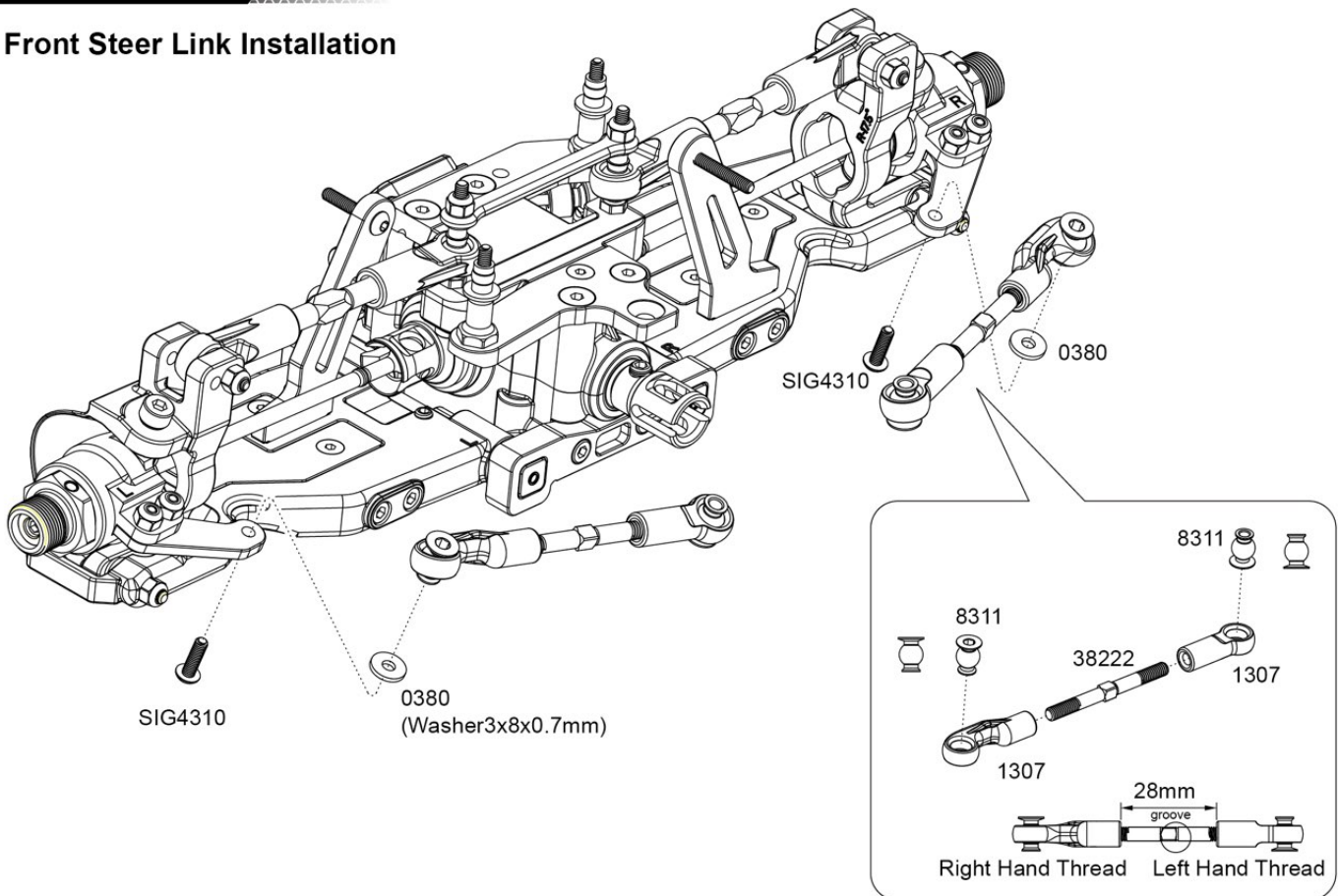
STEP D - 5

Front Swaybar/Shock Mounting Screws Assembly



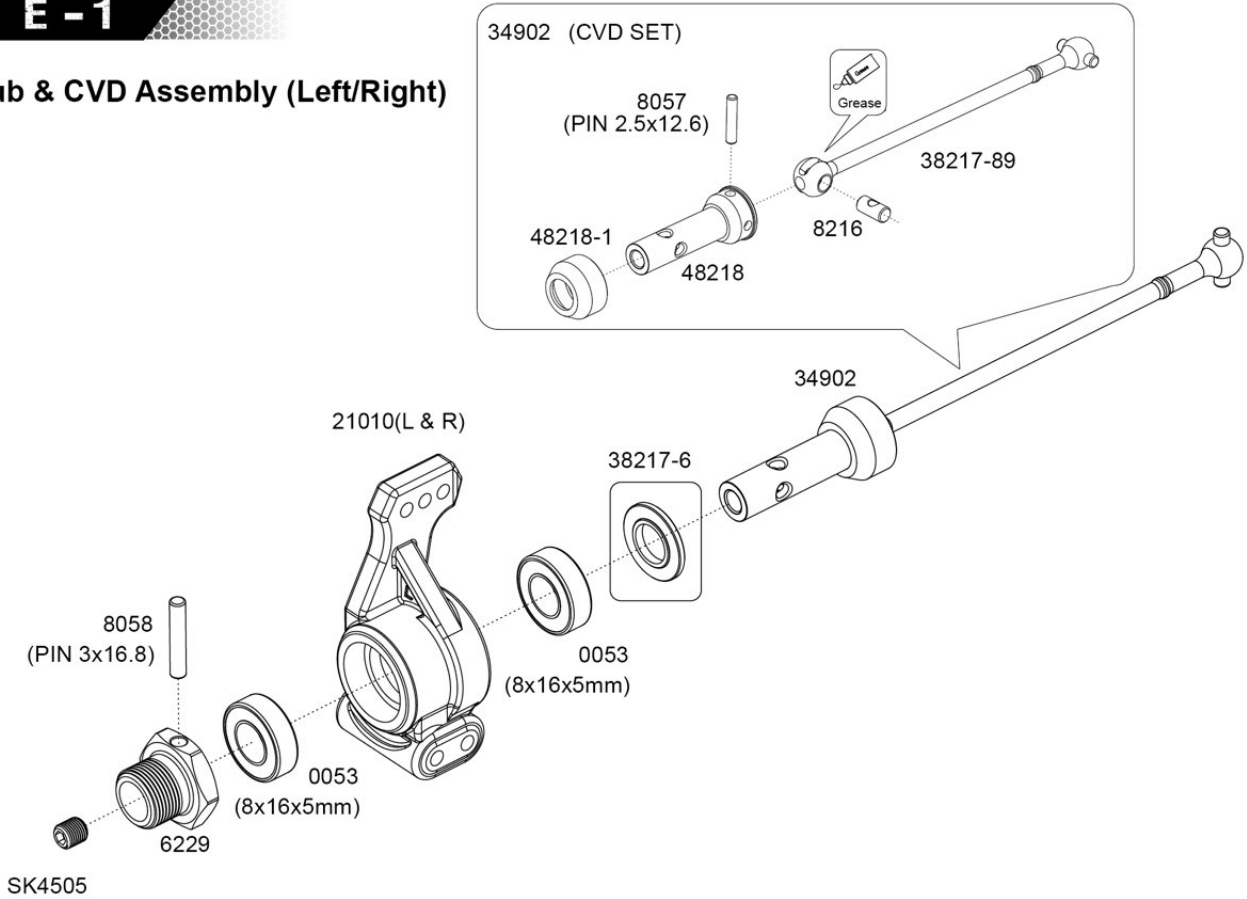
STEP D - 6

Front Steer Link Installation



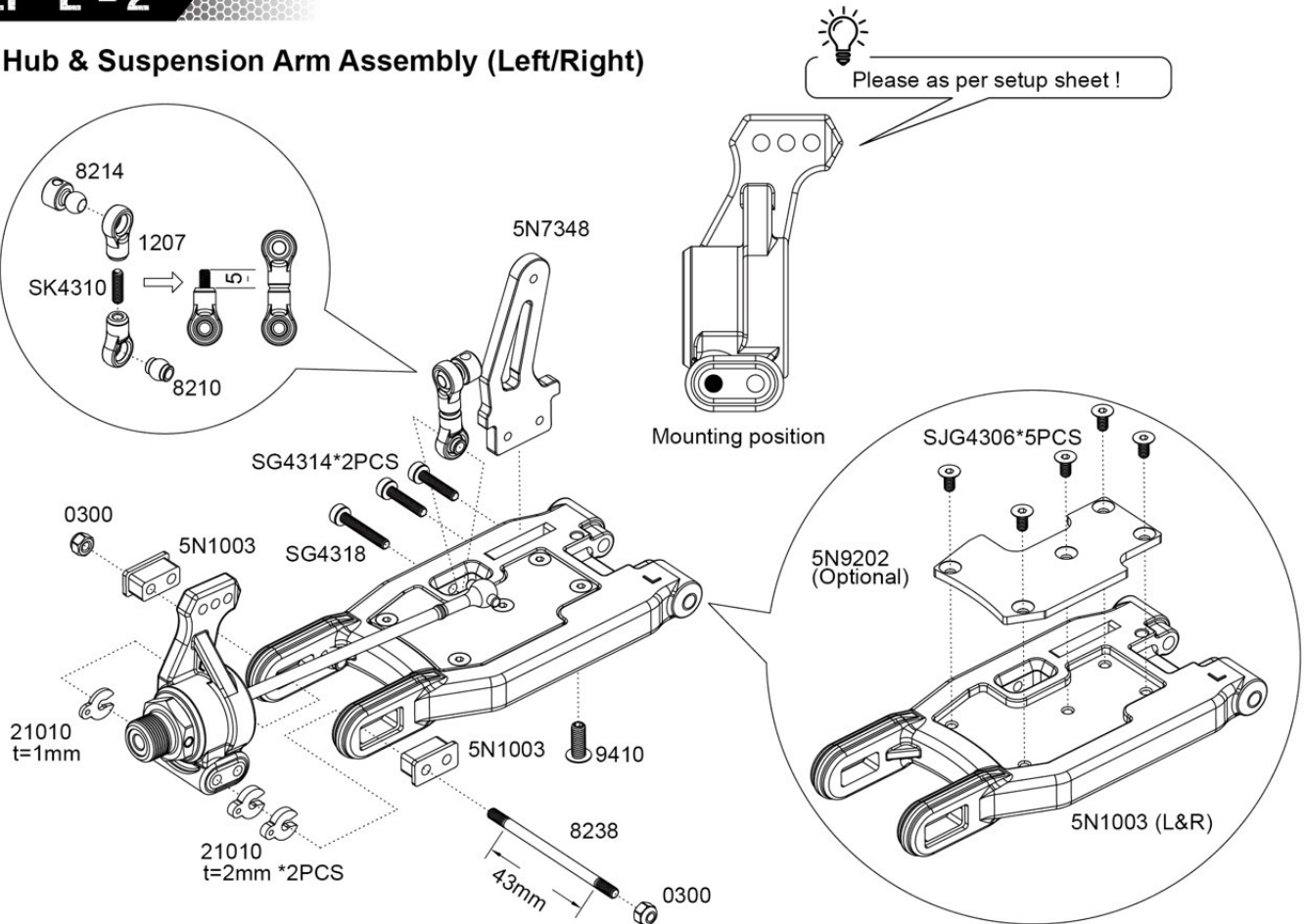
STEP E - 1

Rear Hub & CVD Assembly (Left/Right)



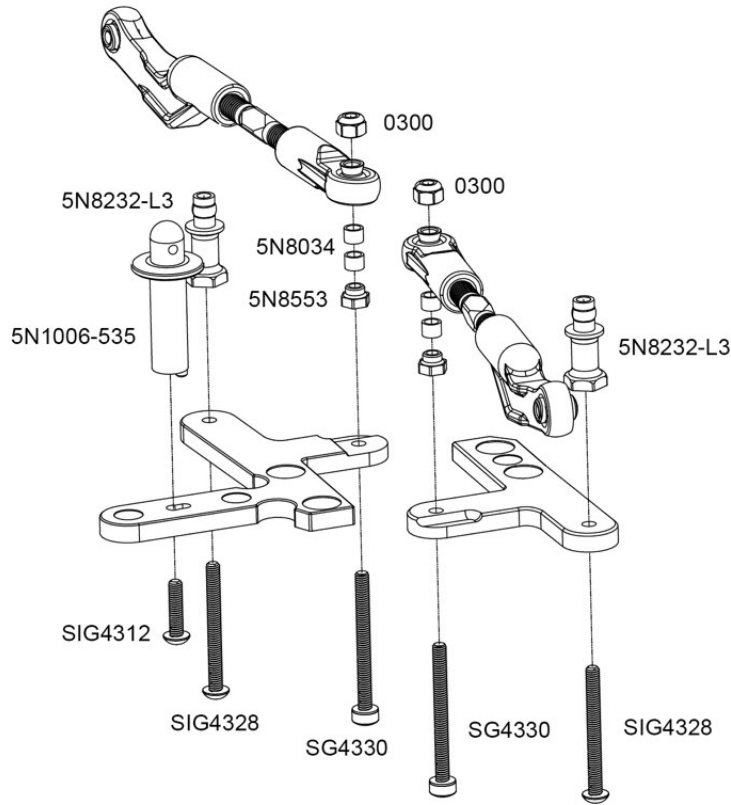
STEP E - 2

Rear Hub & Suspension Arm Assembly (Left/Right)



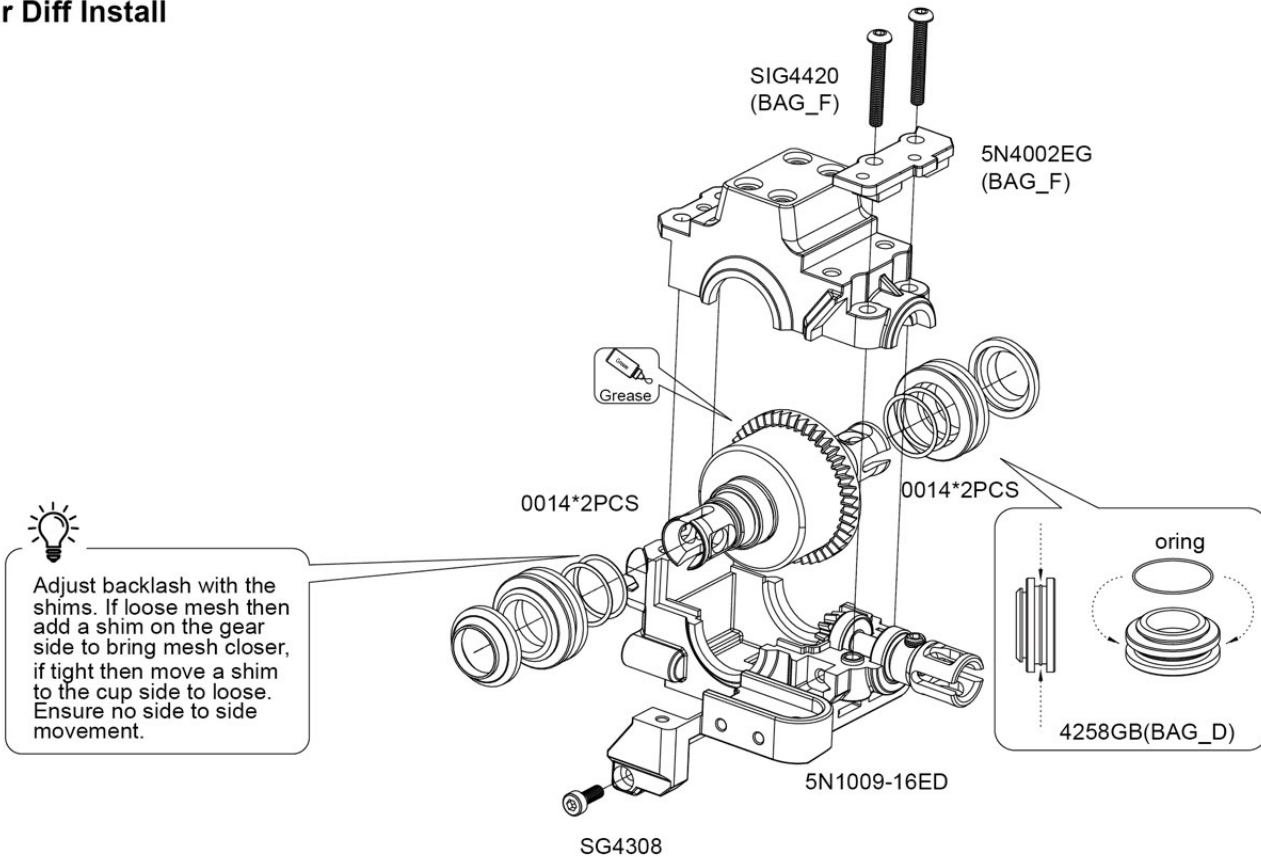
STEP F - 1

Rear Diff Case



STEP F - 2

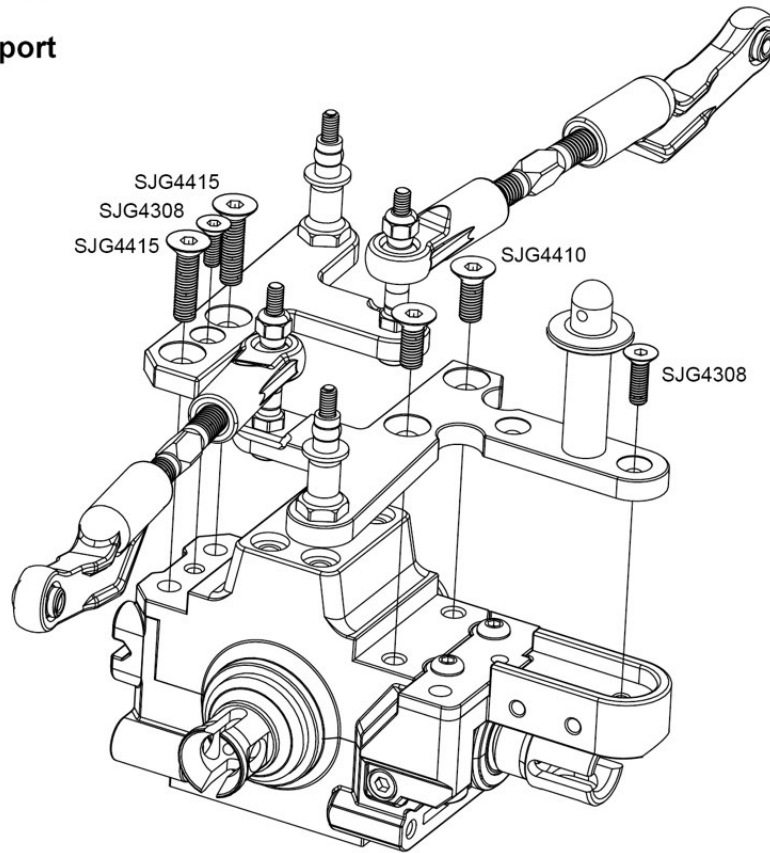
Rear Diff Install



Adjust backlash with the shims. If loose mesh then add a shim on the gear side to bring mesh closer, if tight then move a shim to the cup side to loose. Ensure no side to side movement.

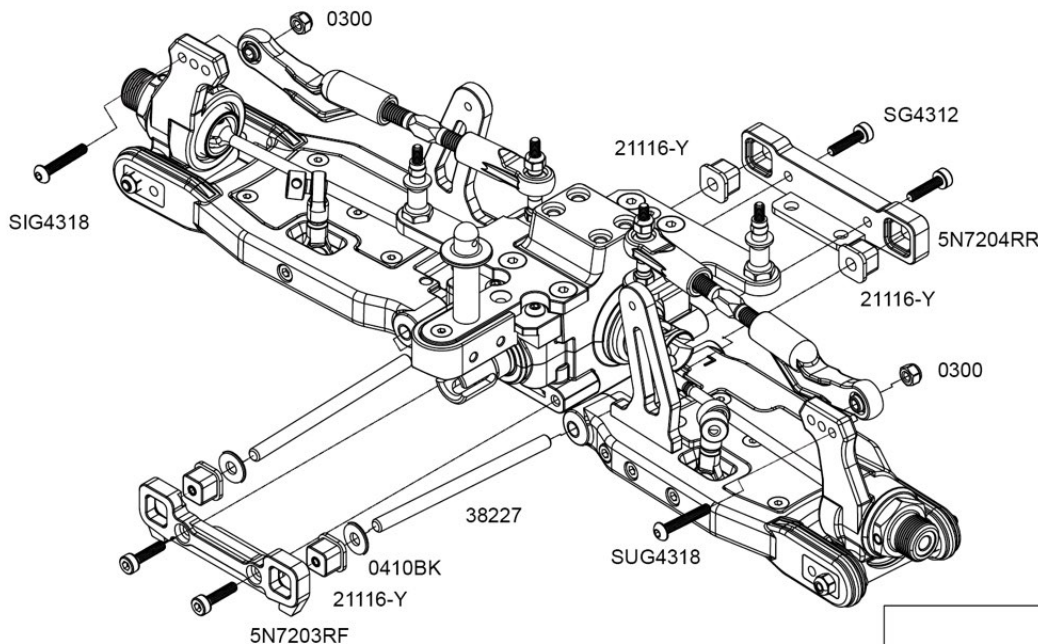
STEP F - 3

Rear Chassis Support



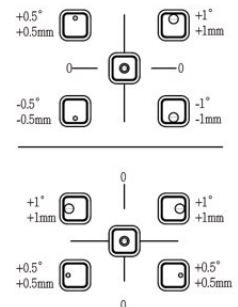
STEP F - 4

Rear Hubs & Suspension Arm Assembly (Left/Right)



Mounting Position

SUSPENSION BUSHINGS CHART



INITIAL SETUP



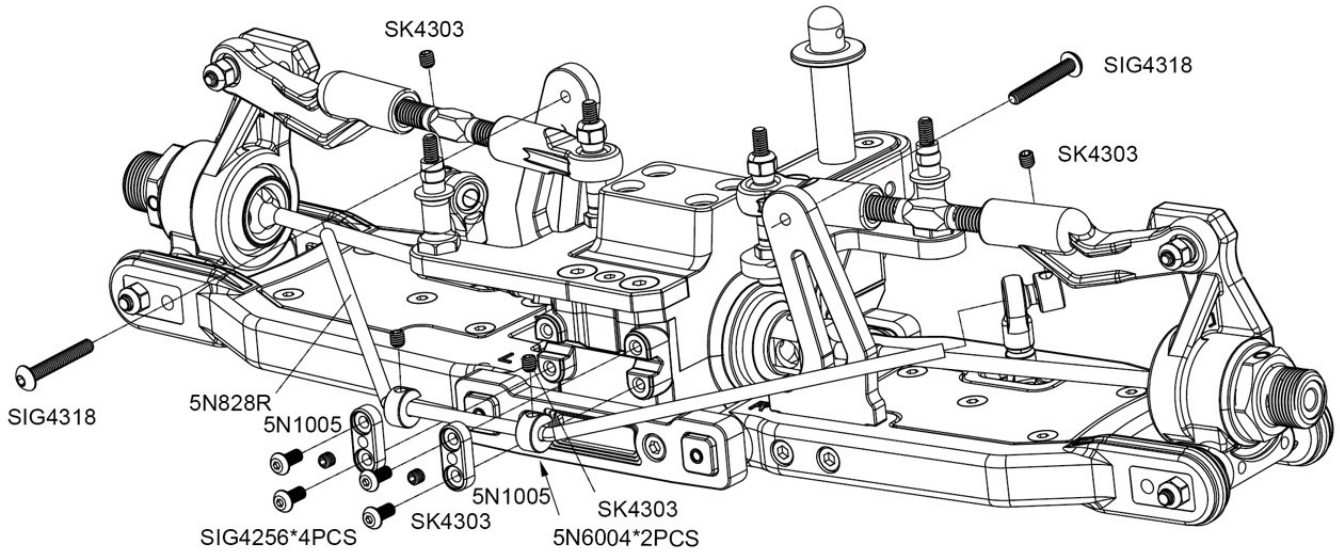
ANTISQUAT = 1° / TOE IN = 3°



Please set as per setup sheet

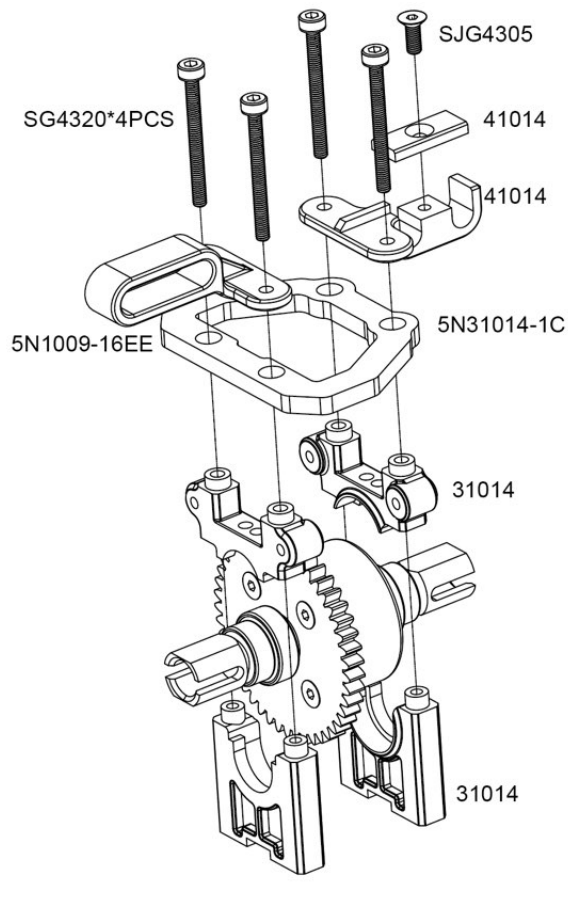
STEP F-5

Rear Swaybar/Shock Mounting Screw Assembly



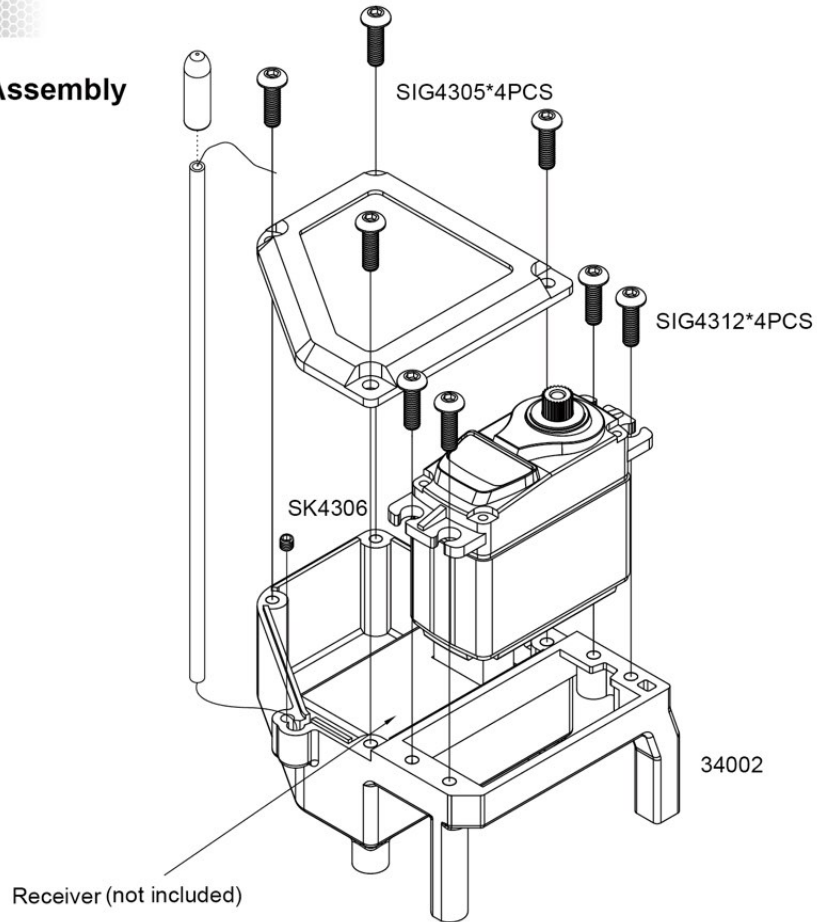
BAG G

STEP G-1



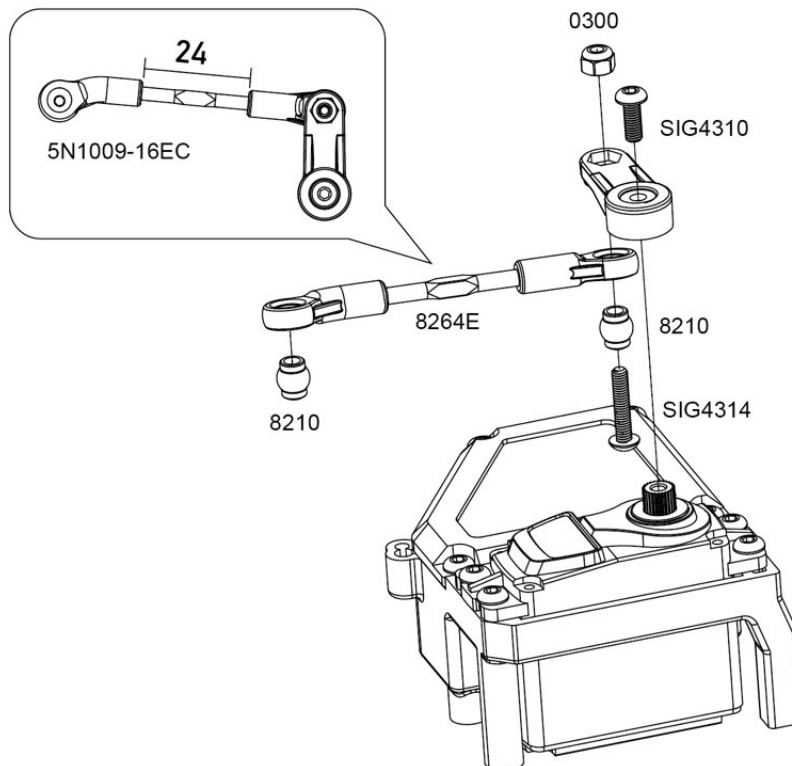
STEP H-1

Receiver & Steer Servo Assembly



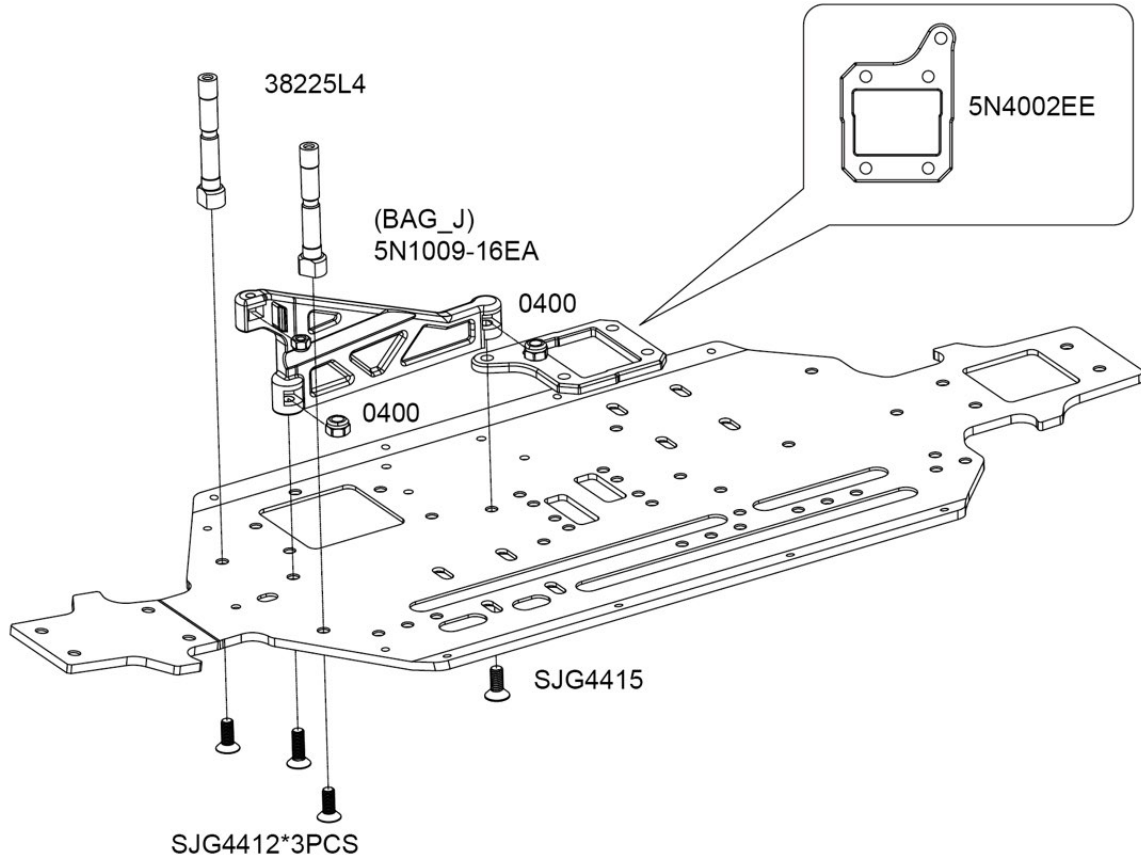
STEP H-2

Steering Servo Link Assembly



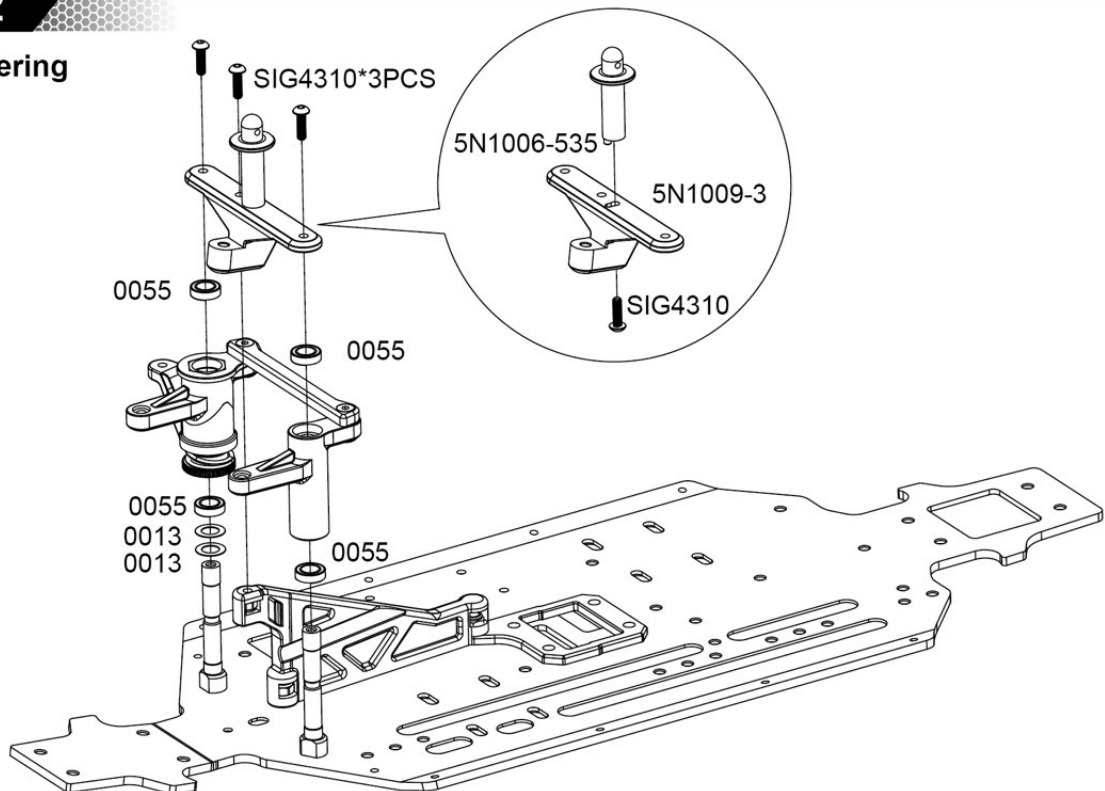
STEP J-1

Steering Post Front Chassis Support Assembly



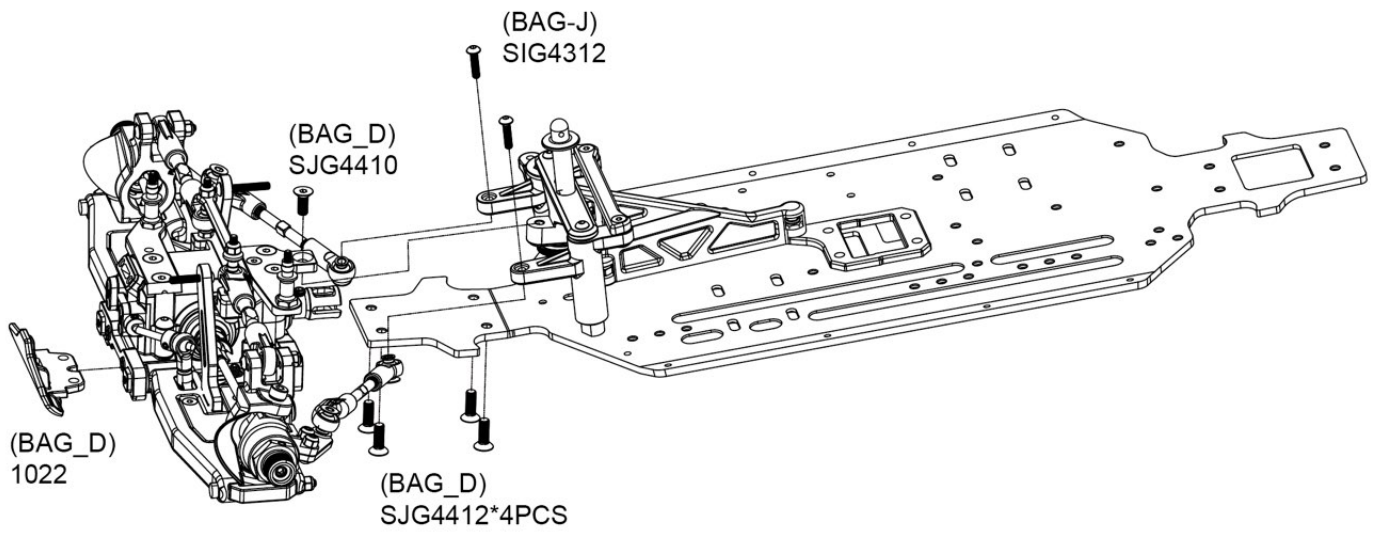
STEP J-2

Completed Steering Assembly

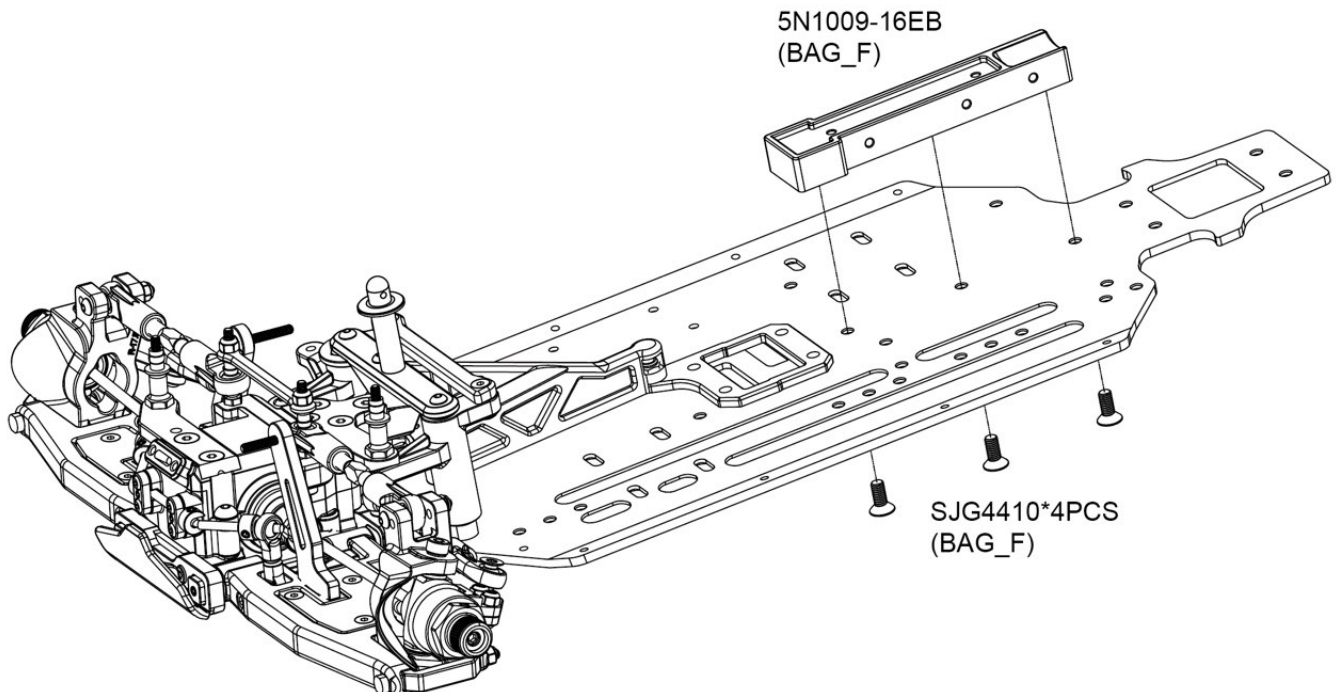


STEP 1

Front End Installation

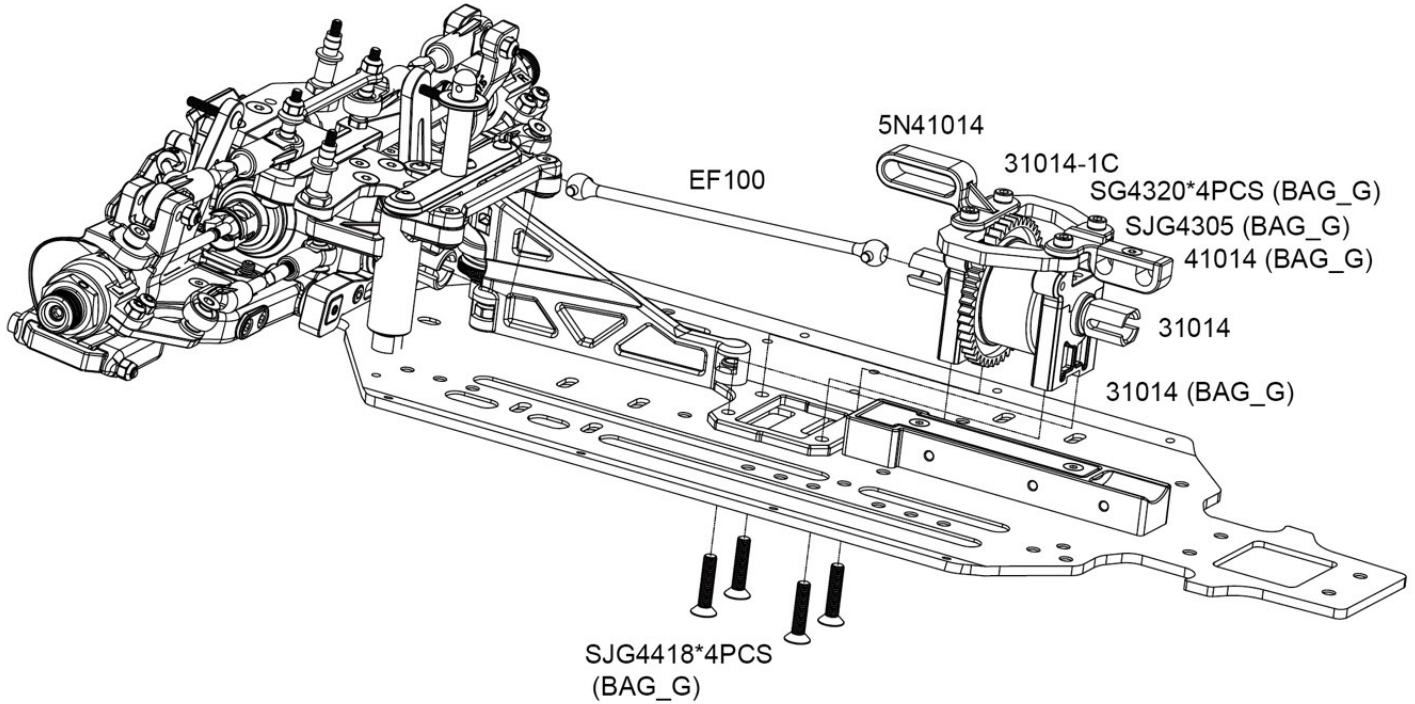


STEP 2



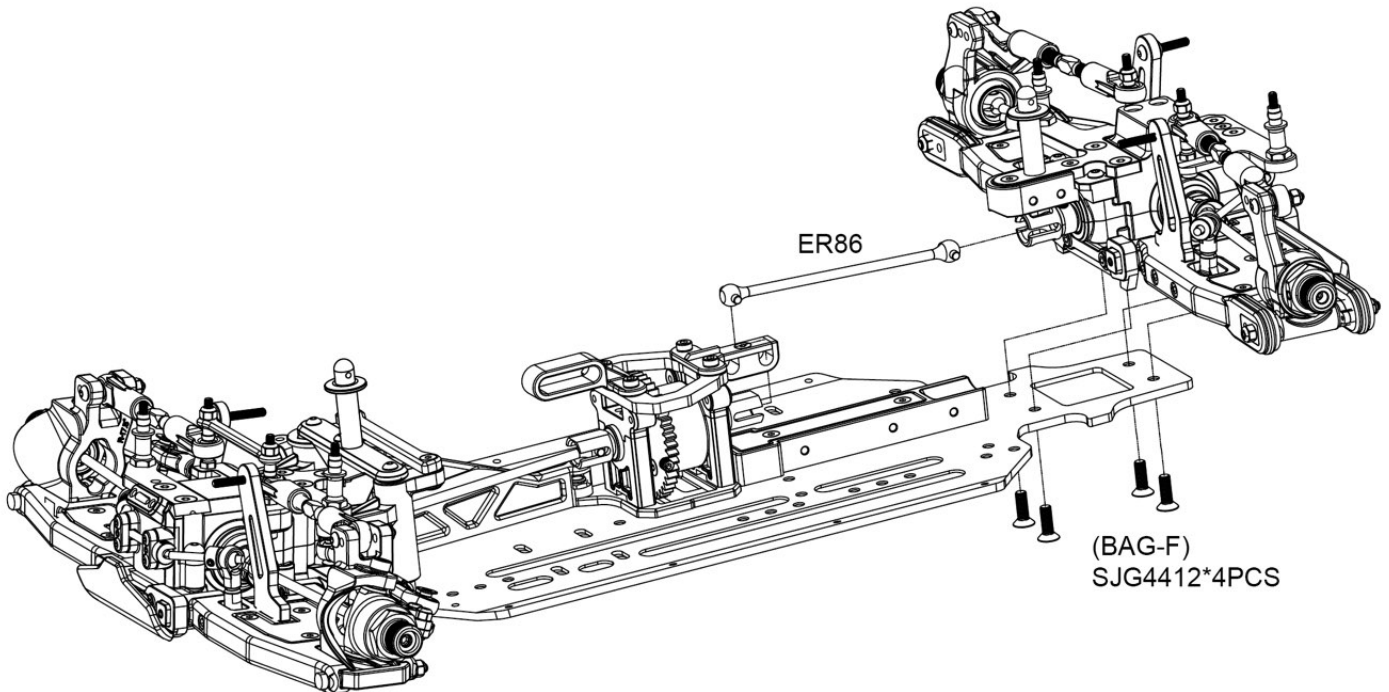
STEP 3

Center Diff Installation

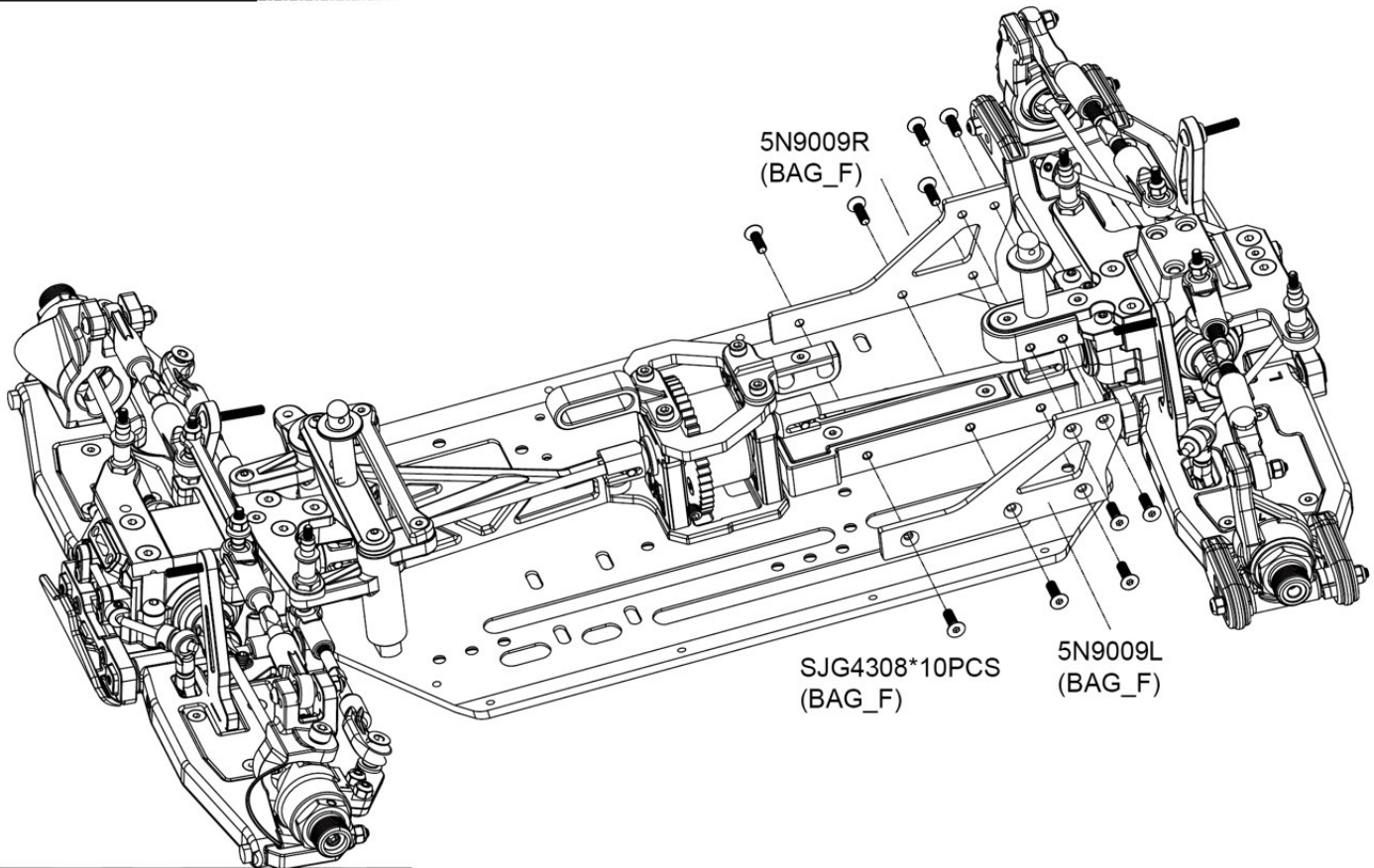


STEP 4

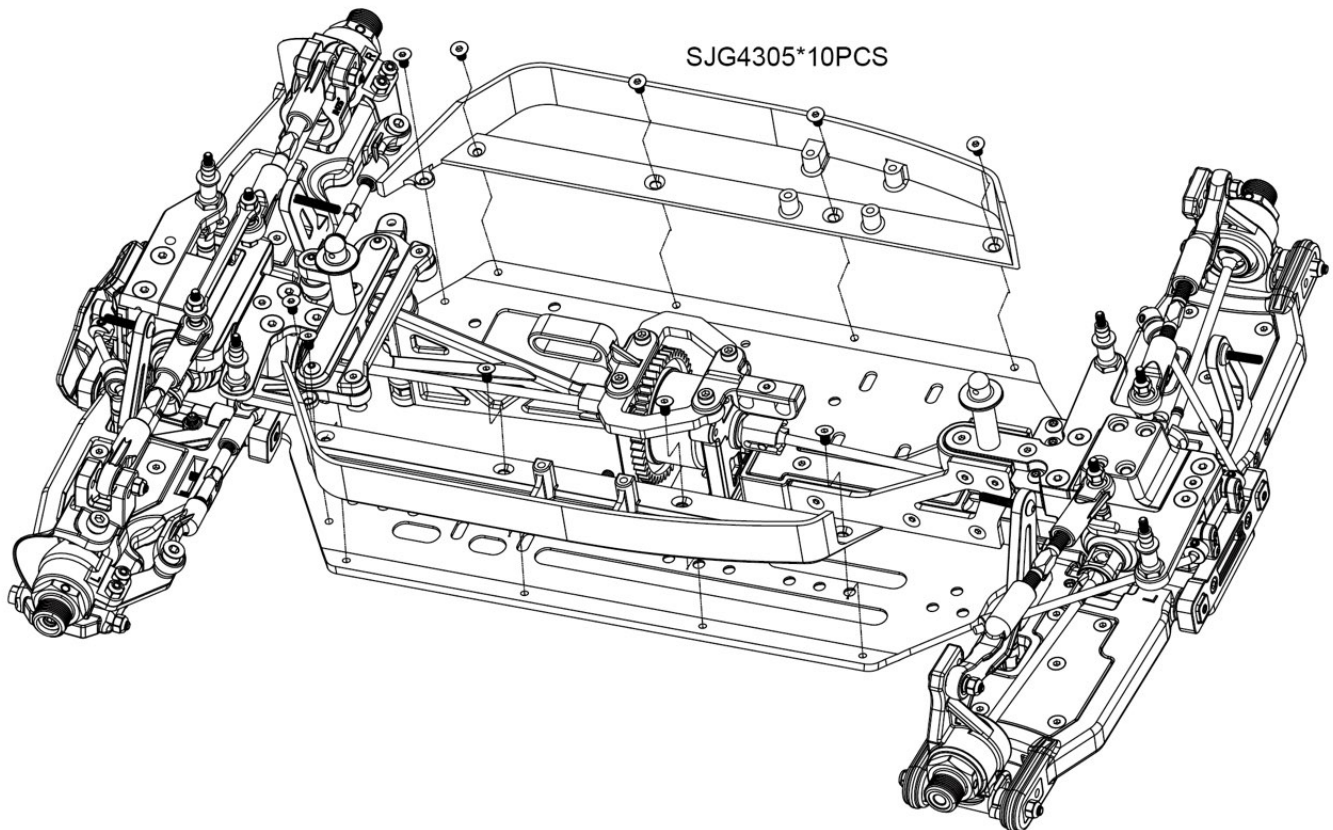
Rear End Installation



STEP 5

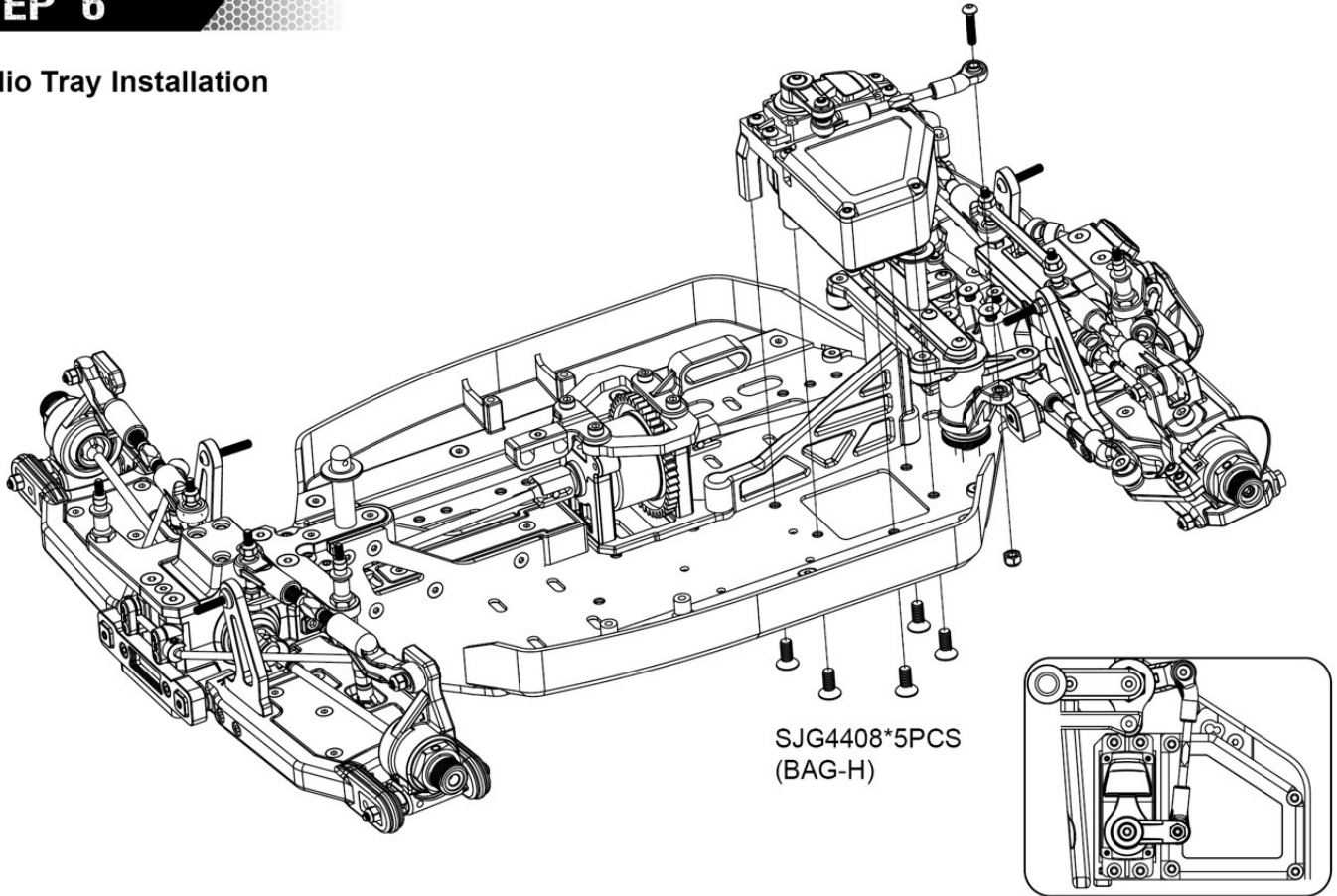


BAG K



STEP 6

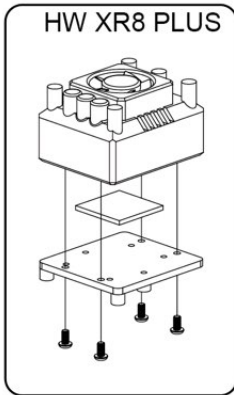
Radio Tray Installation



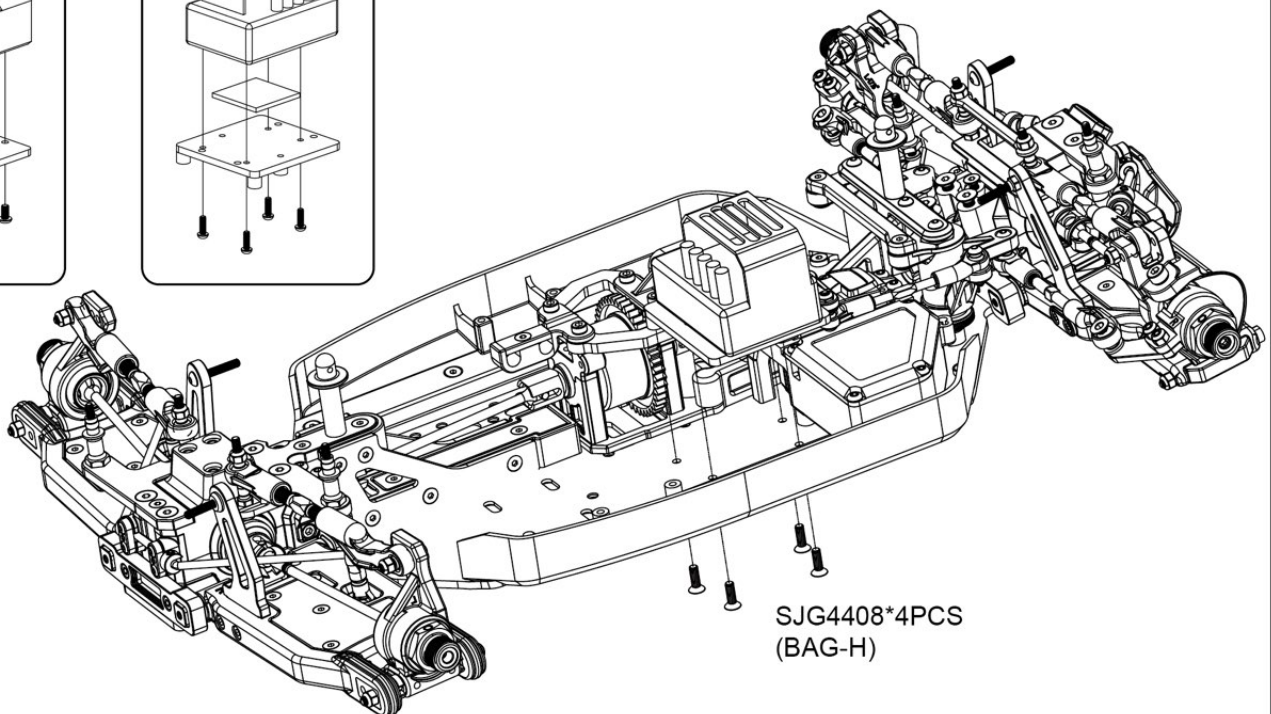
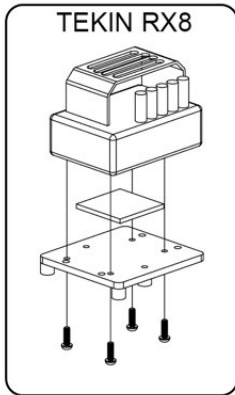
STEP 7

ESC System

HW XR8 PLUS

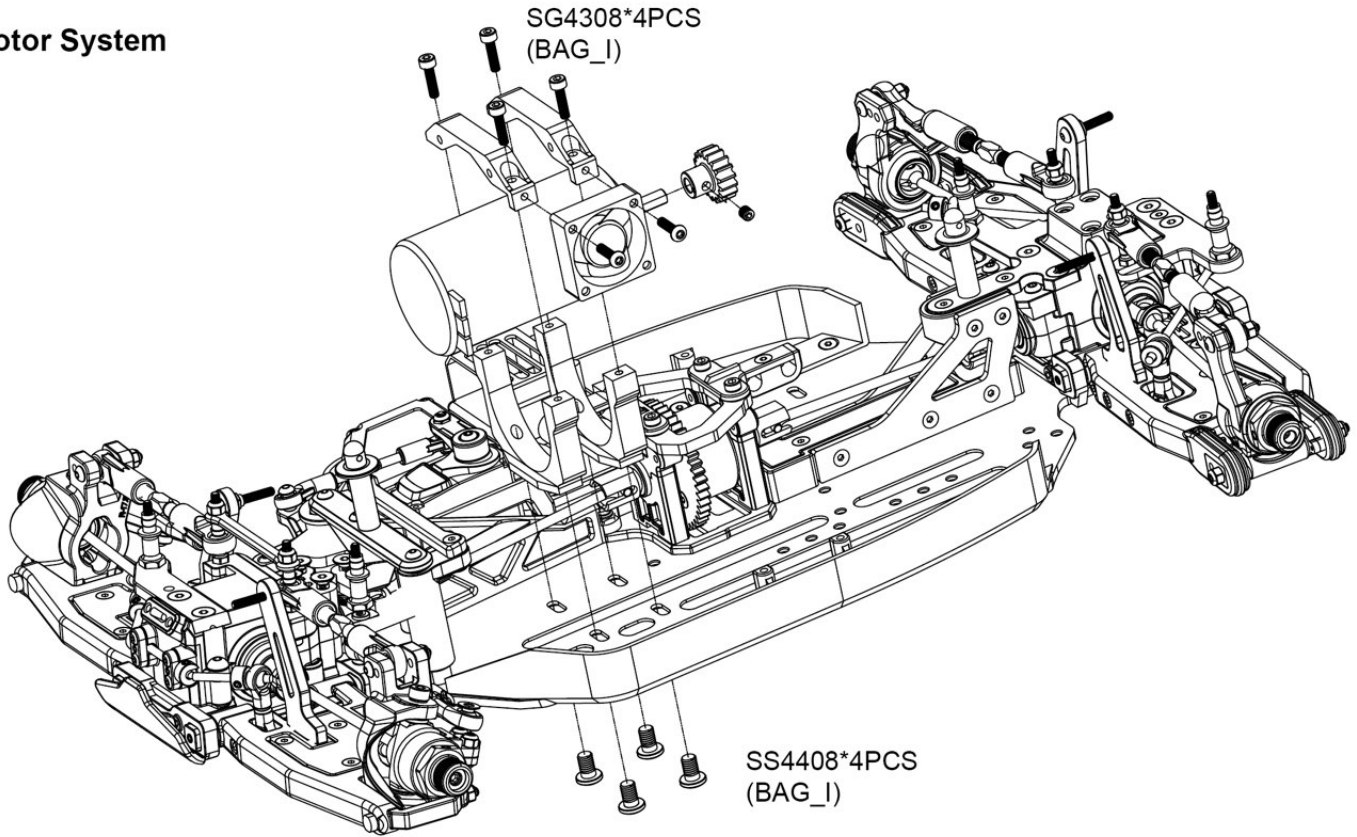


TEKIN RX8



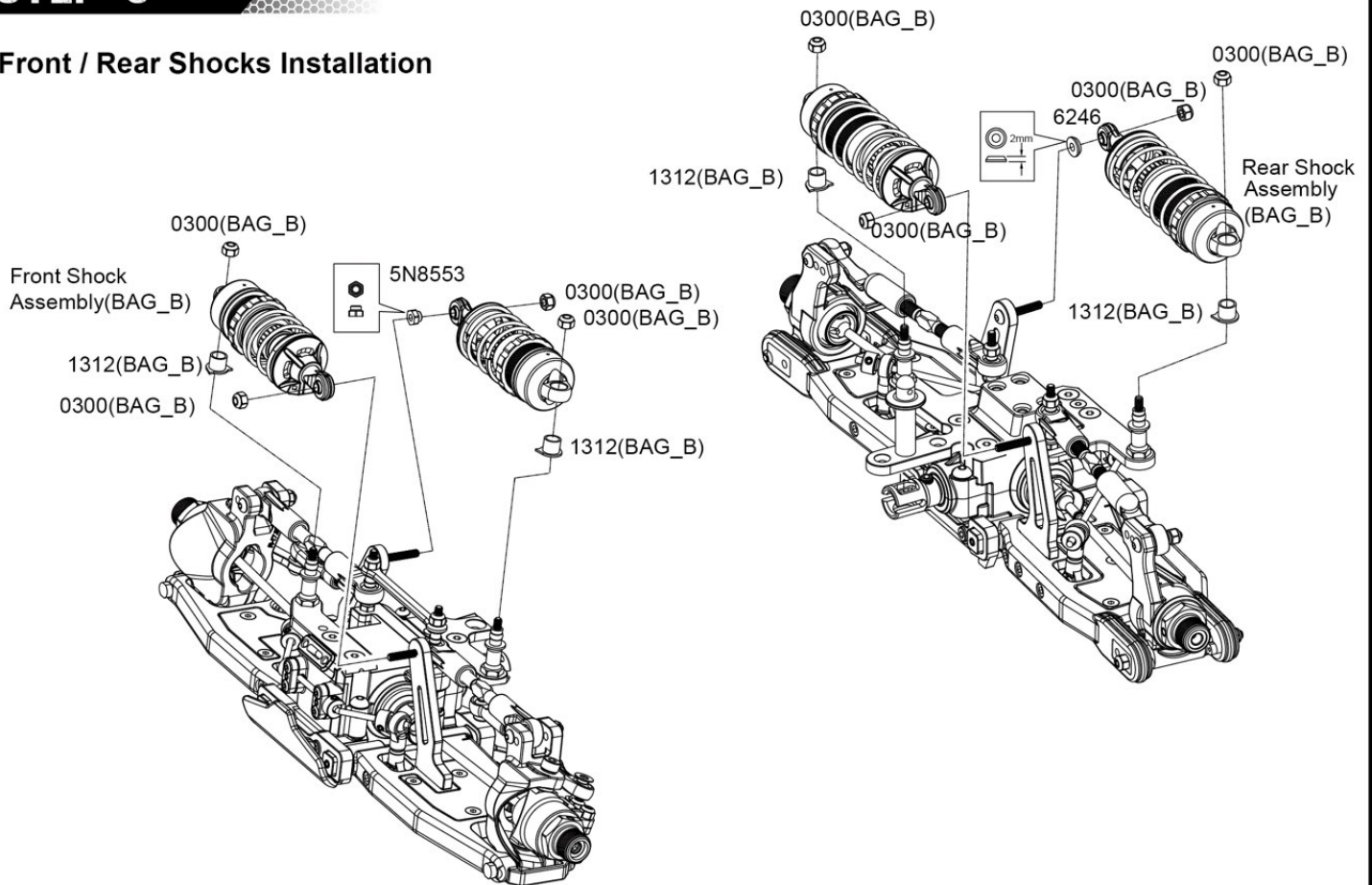
STEP 8

Motor System



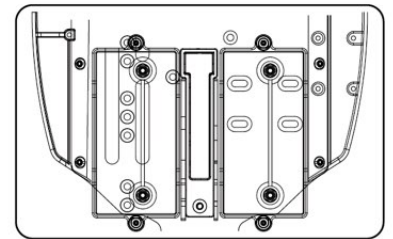
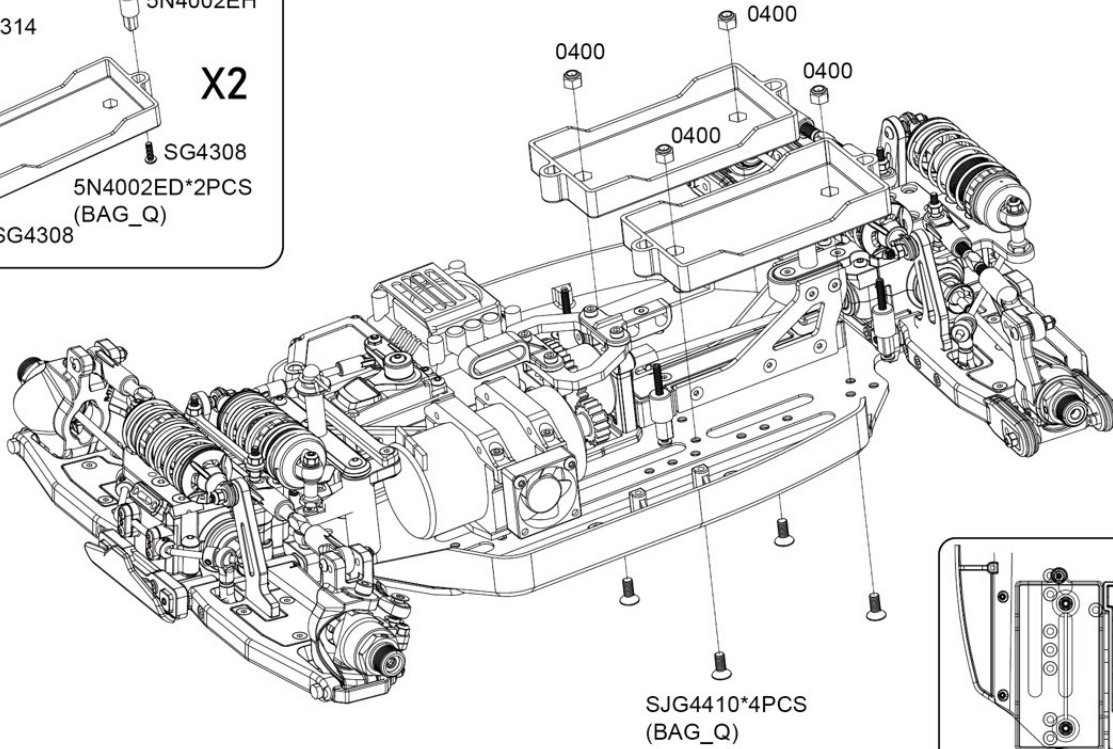
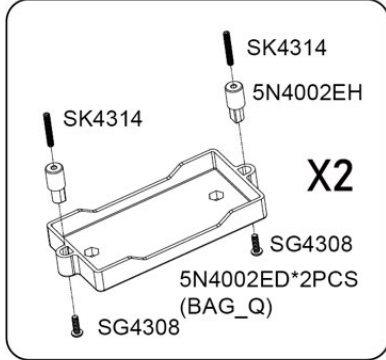
STEP 9

Front / Rear Shocks Installation



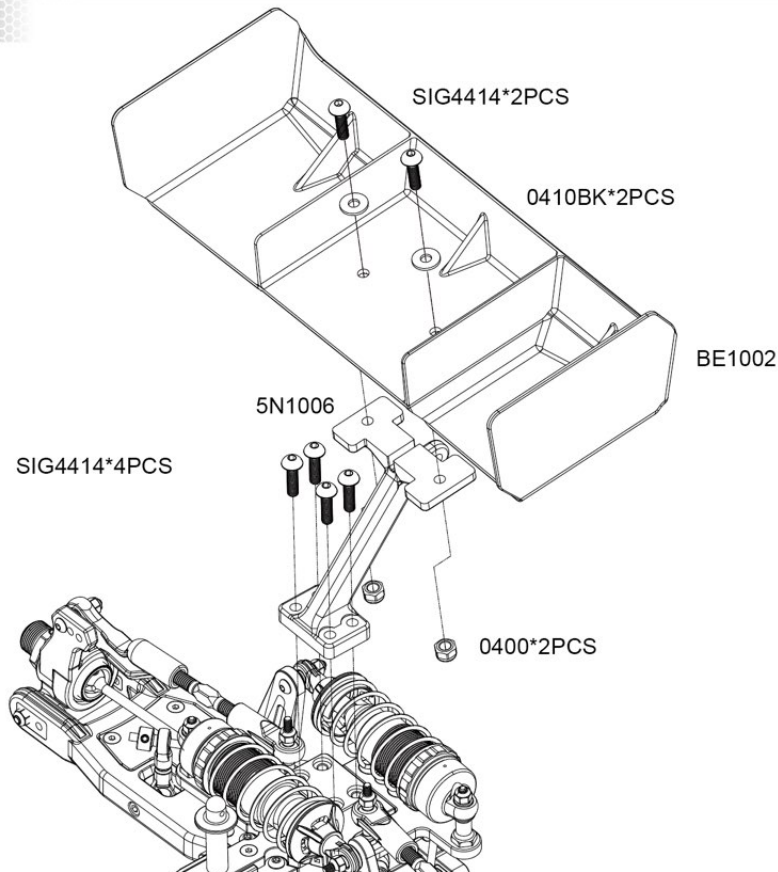
STEP 10

Battery Tray Installation



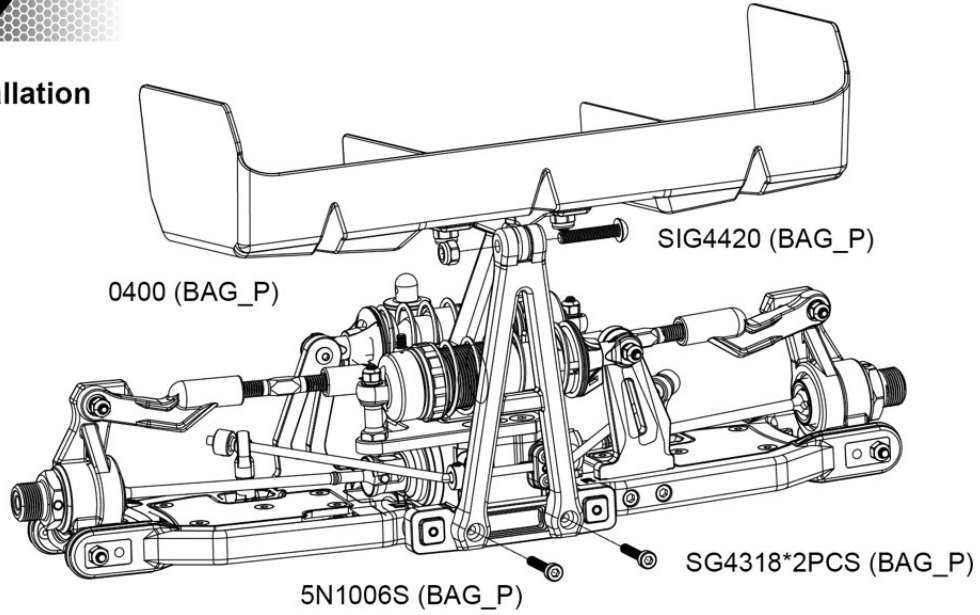
STEP 11

Wing Installation



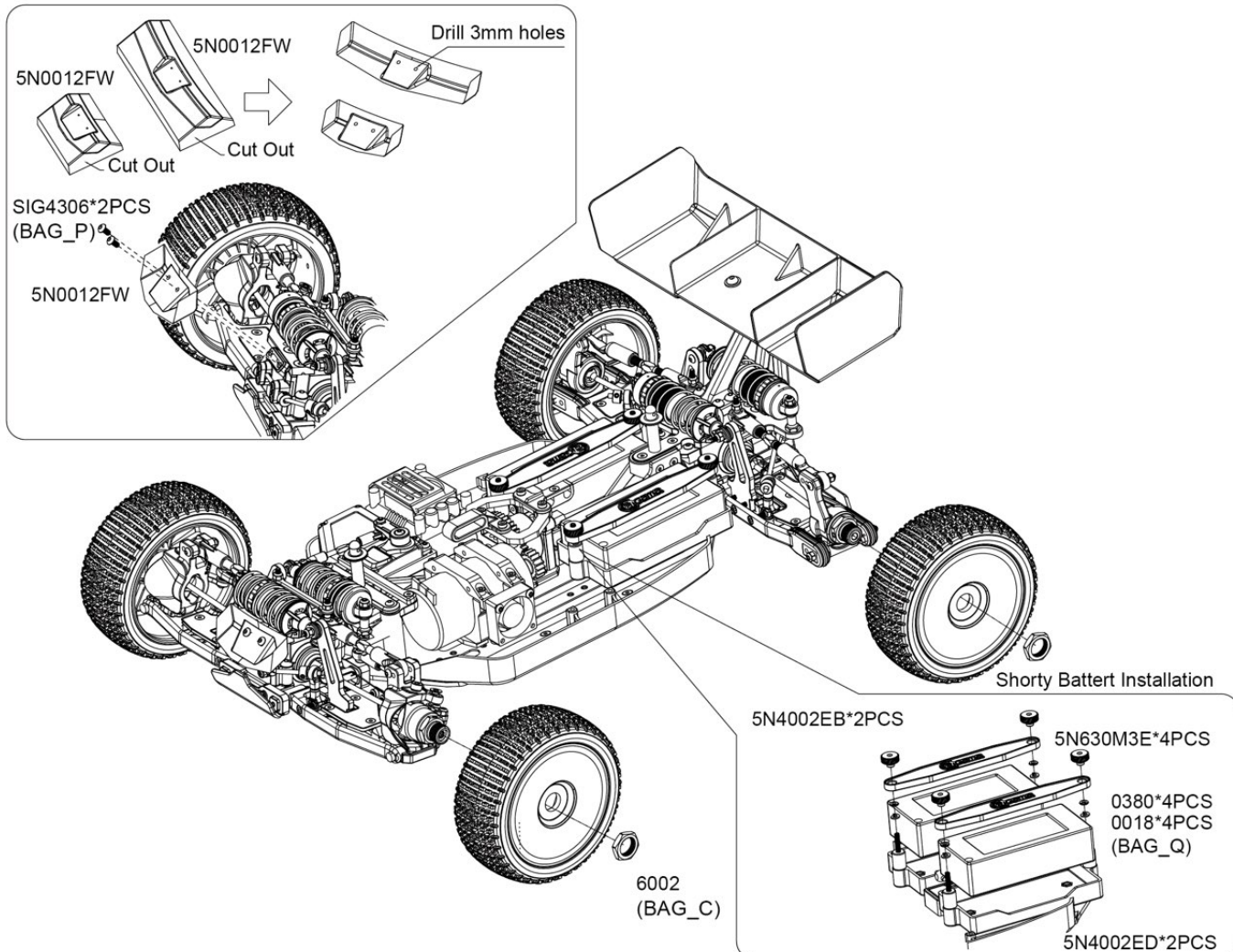
STEP 12

Wing Support Installation (Optional)



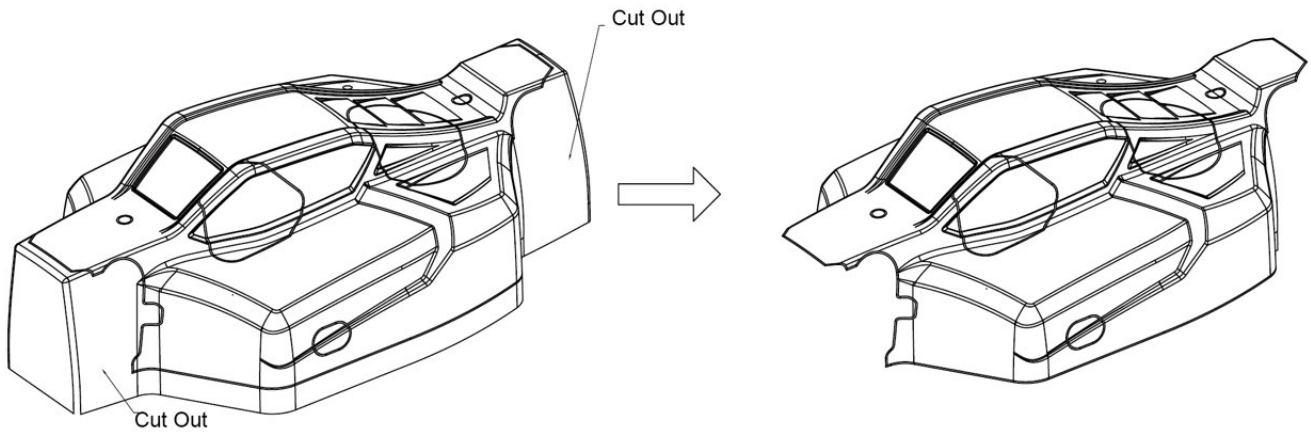
STEP 13

Body Shell / Front Wing Mounting



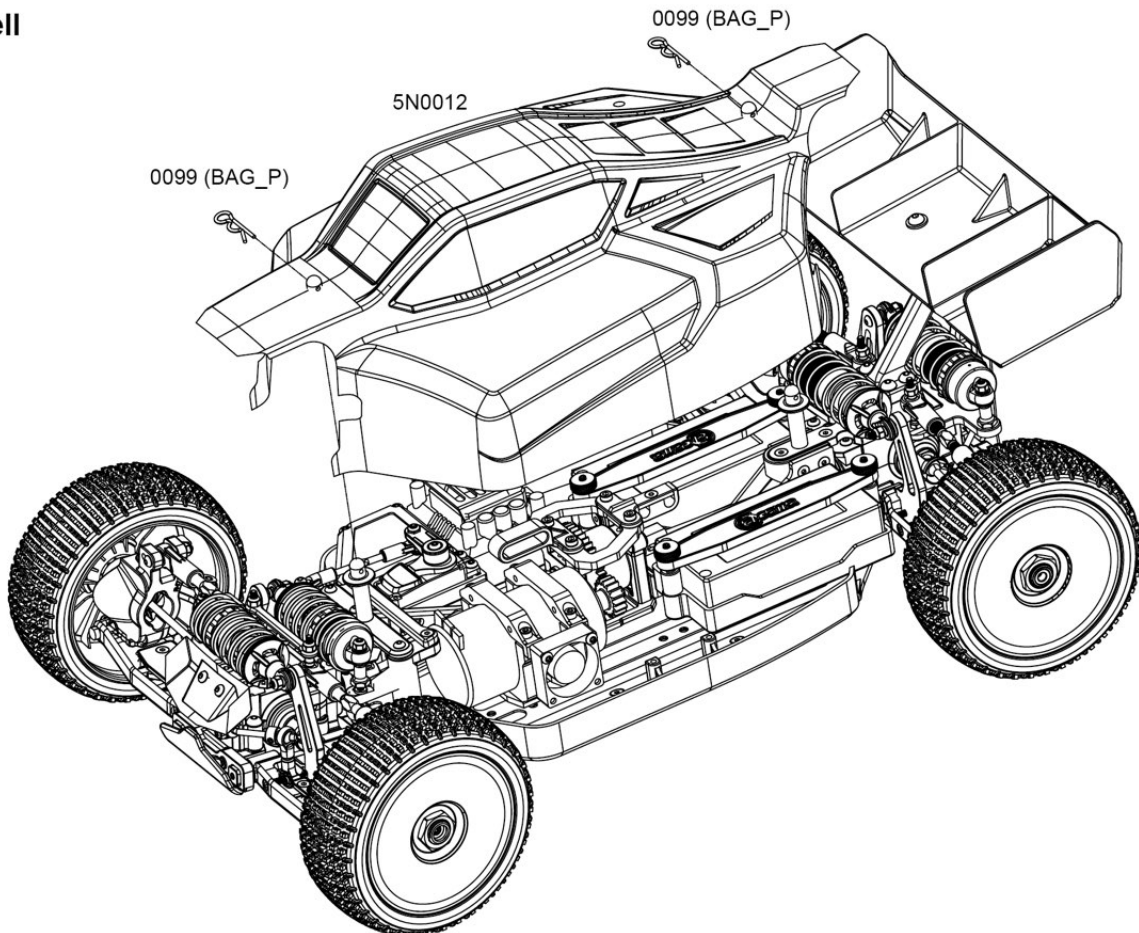
STEP 14

Body Shell



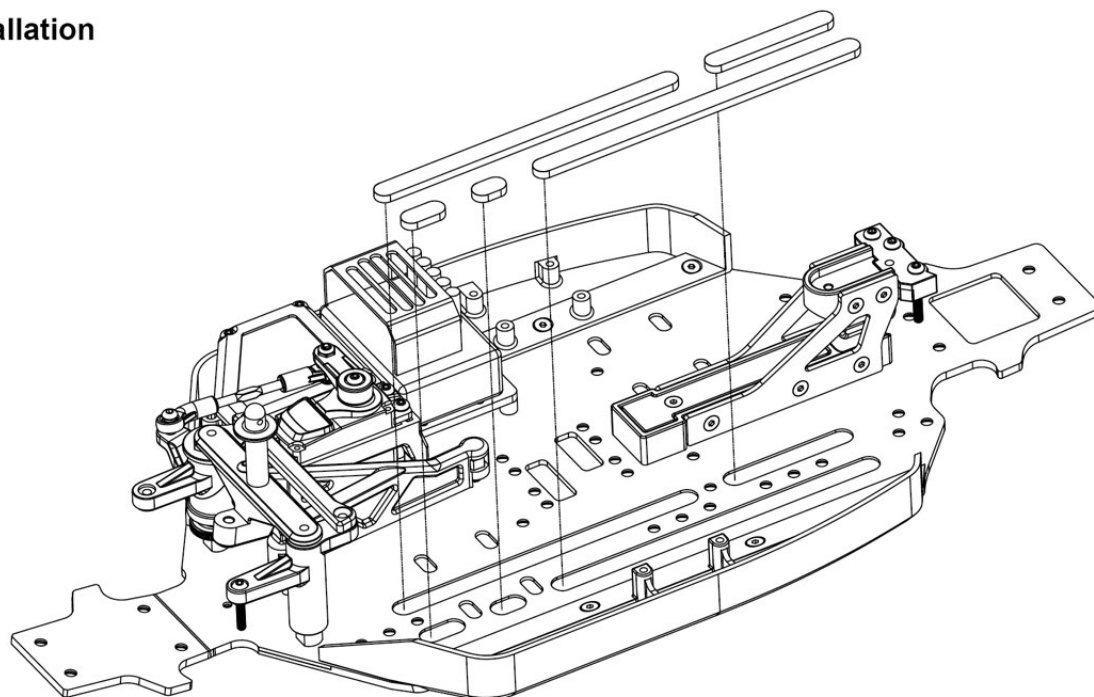
STEP 15

Body Shell

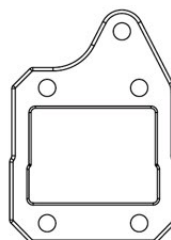


STEP 1

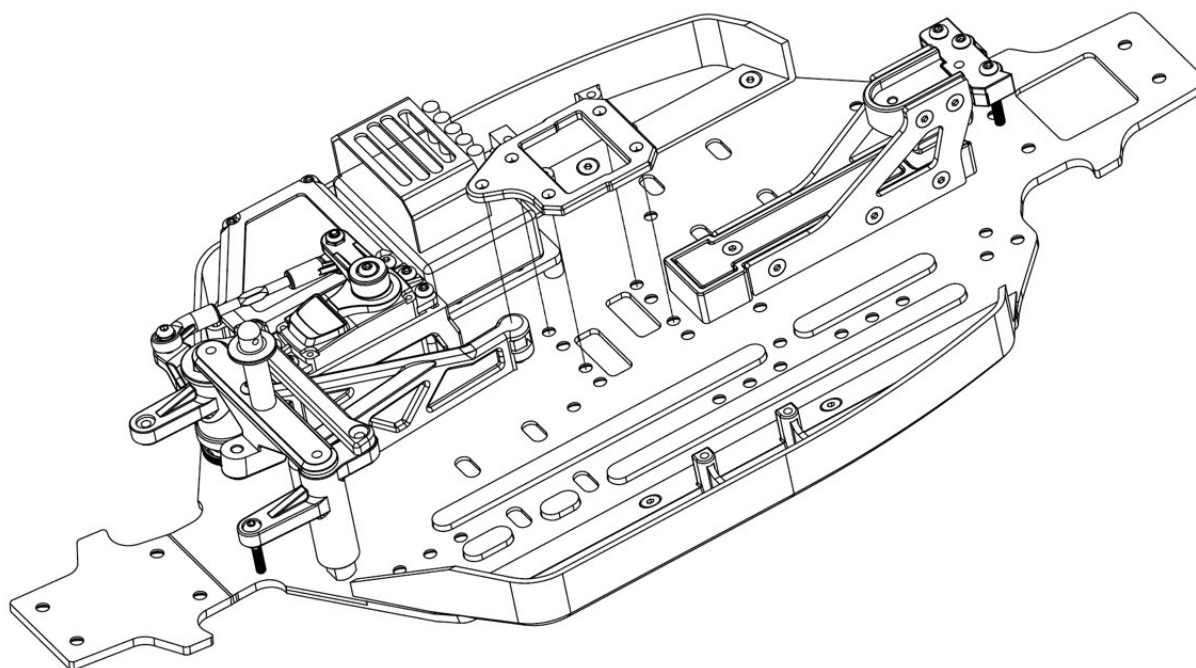
Battery Tray Installation



STEP 2

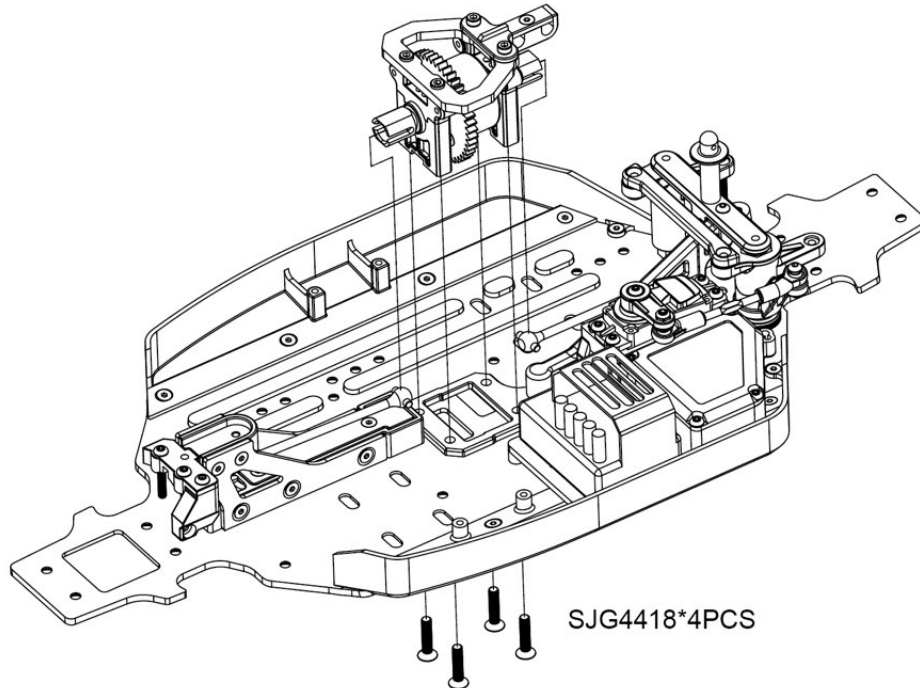


5N4002EF (BAG_Q)



STEP 3

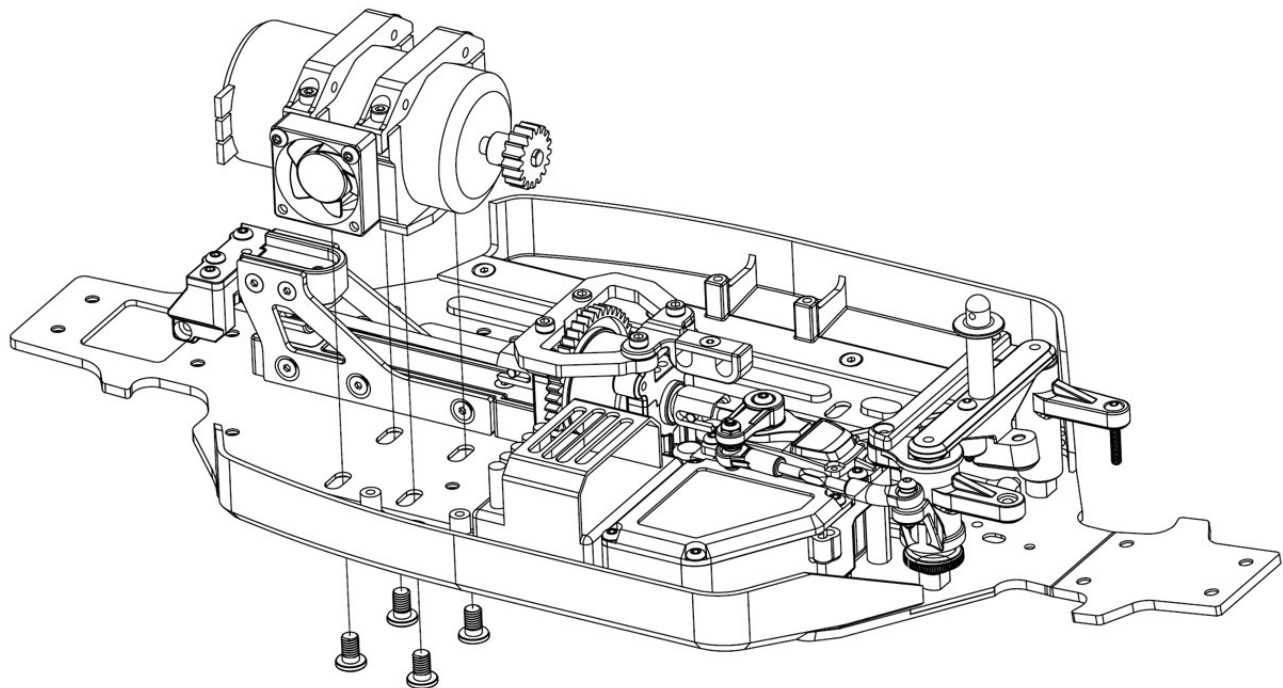
Completed Throttle



SJG4418*4PCS

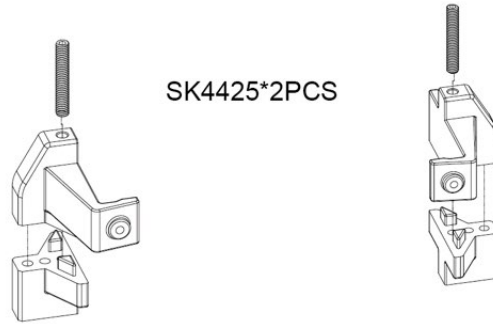
STEP 4

Motor System



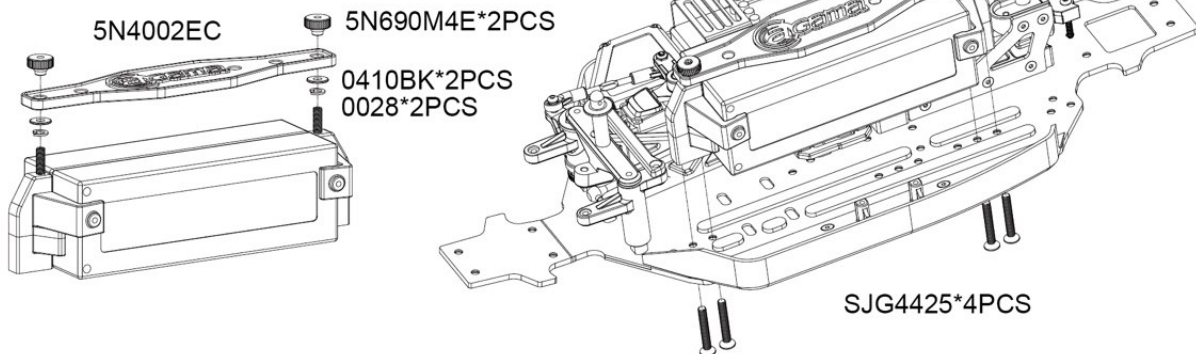
SS4408*4PCS (BAD_I)

BATTERY TRAY INSTALLATION



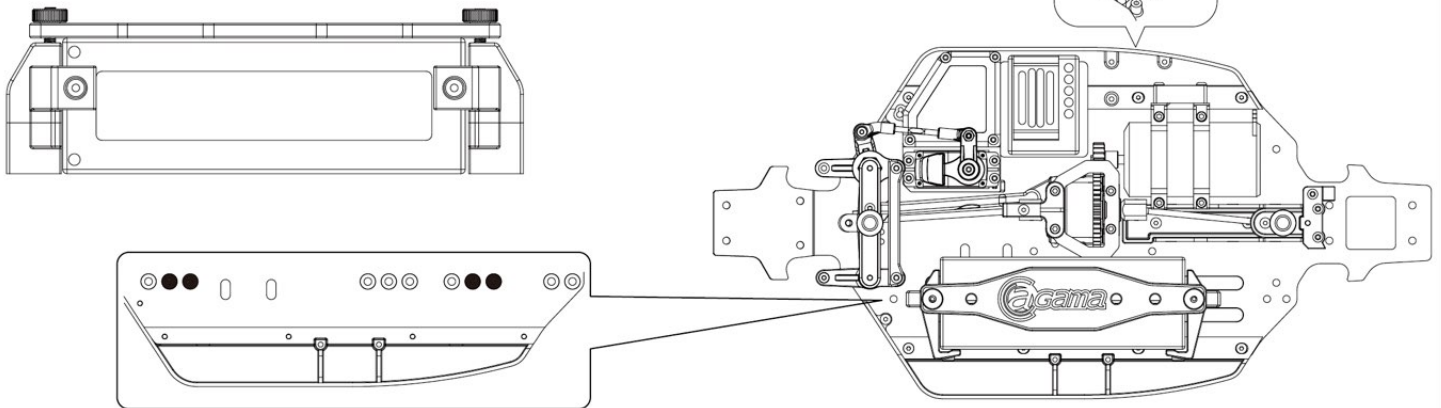
SK4425*2PCS

4S PACK CONFIGURATION

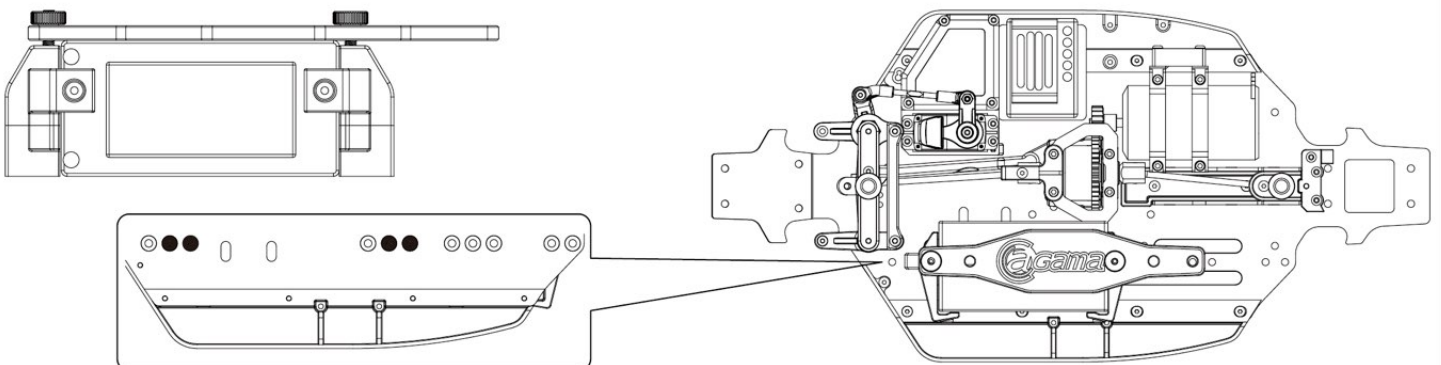


SJG4425*4PCS

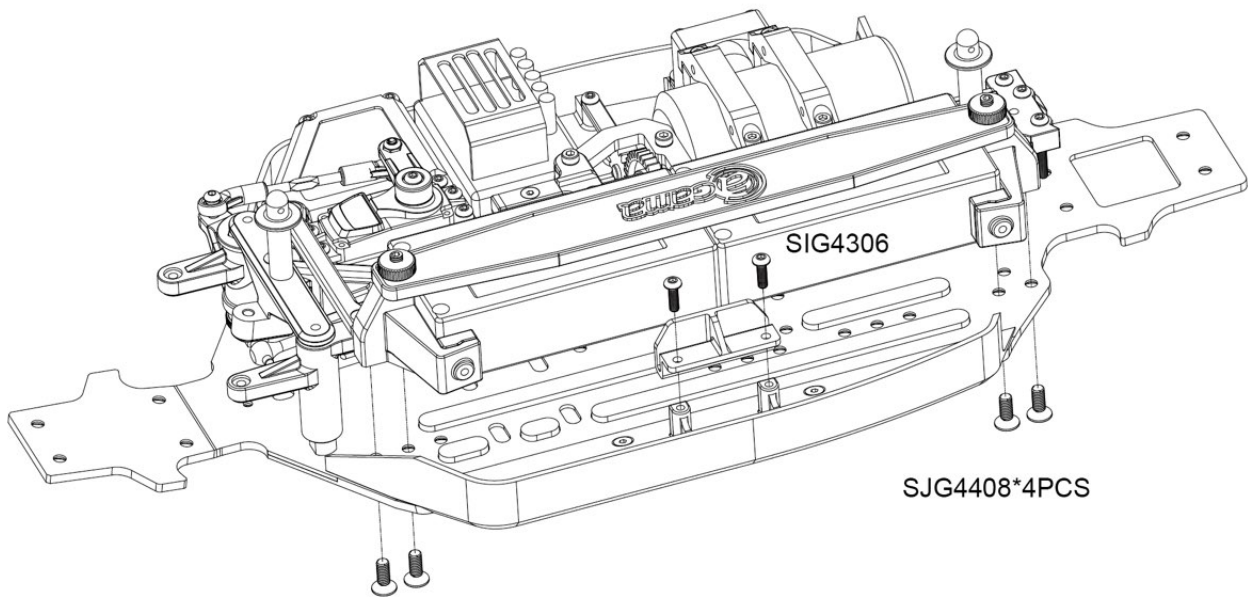
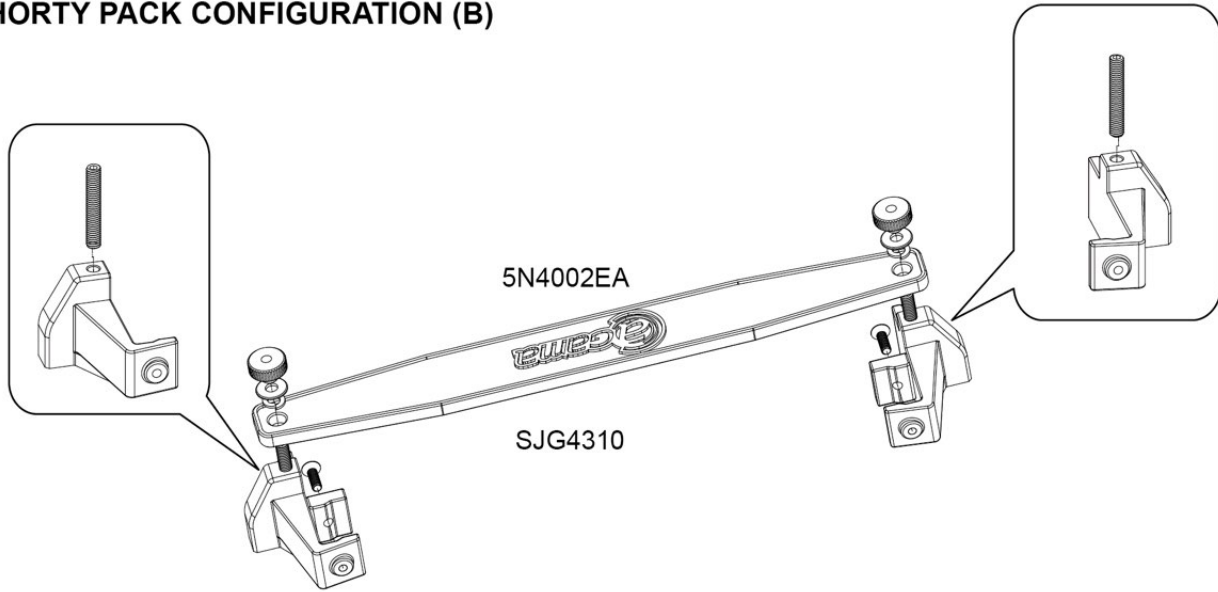
4S PACK CONFIGURATION



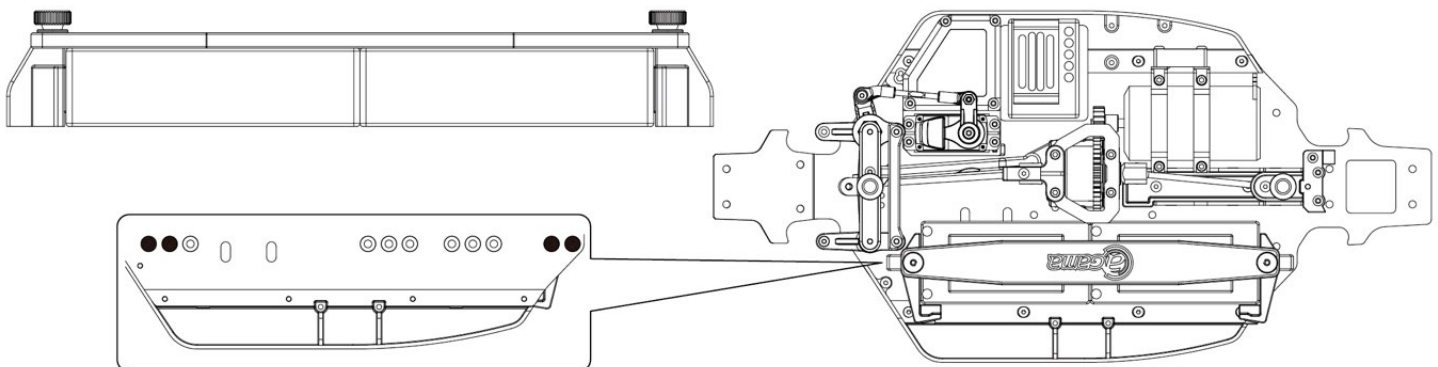
4S SHORTY PACK CONFIGURATION (A)



4S SHORTY PACK CONFIGURATION (B)



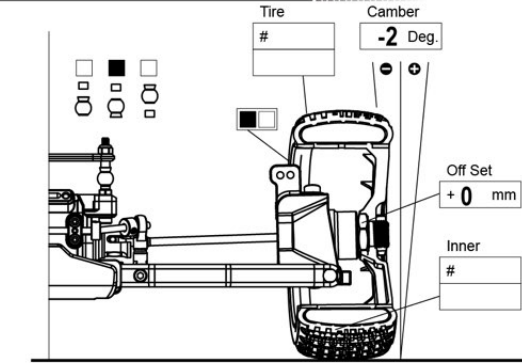
4S SHORTY PACK CONFIGURATION (B)



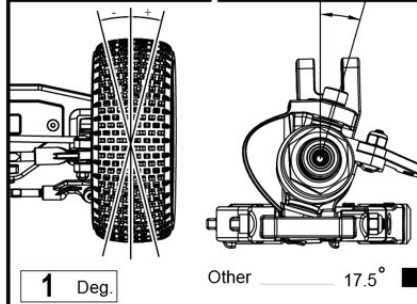
Indoor Tight Smooth Hard Packed Blue Groove
 Wet Low Bite High Bite Outdoor Open Rough Loose/Loamy
 Dry Dusty Med Bite Other

ELECTRIC				ESC				MOTOR				BATTERY			
SPUR GEAR				PINION GEAR				Shoes				Spring			
T				T				3				4			
Oil #				Oil #				mm				mm			
10000				5000				5000				5000			
13 T X 43 T				Spur gear 47 T				13 T X 43 T				13 T X 43 T			

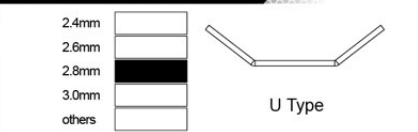
FRONT SUSPENSION



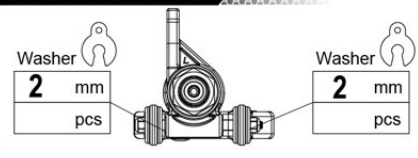
FRONT TOE ANGLE | CASTER ANGLE



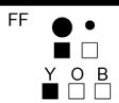
ANTI ROLL BAR



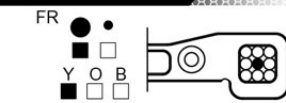
WHEEL BASE



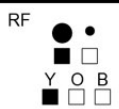
FF



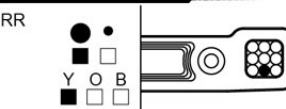
FR



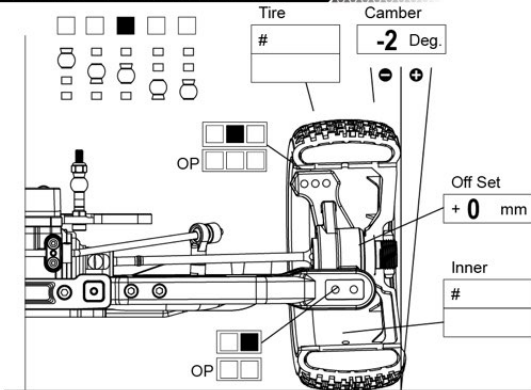
RF



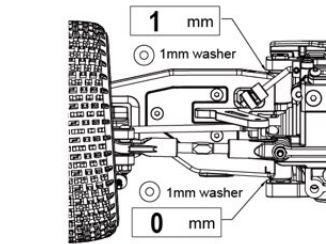
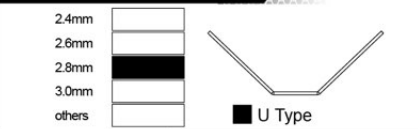
RR



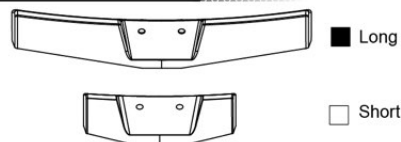
REAR SUSPENSION



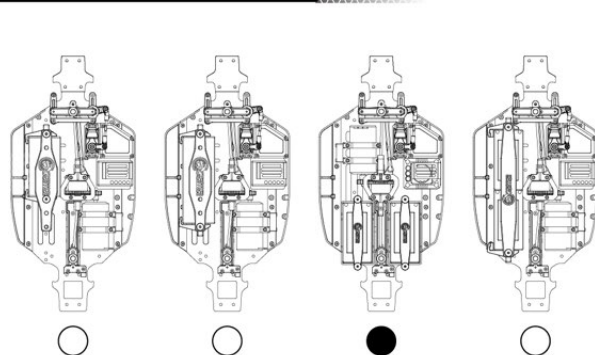
ANTI ROLL BAR



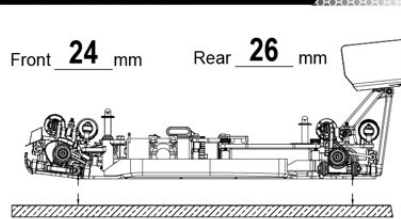
FRONT WING



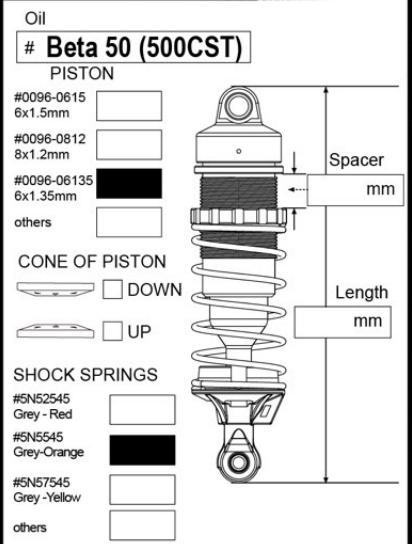
CONFIGURATION



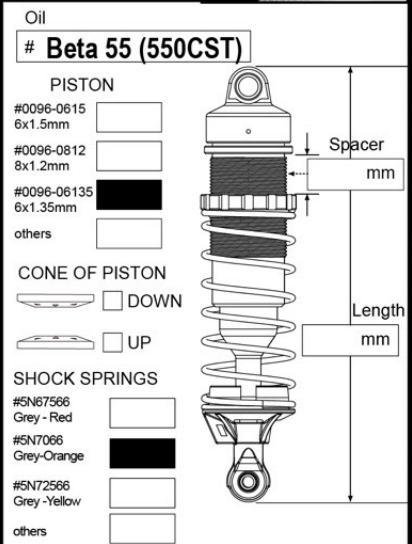
RIDE HEIGHT



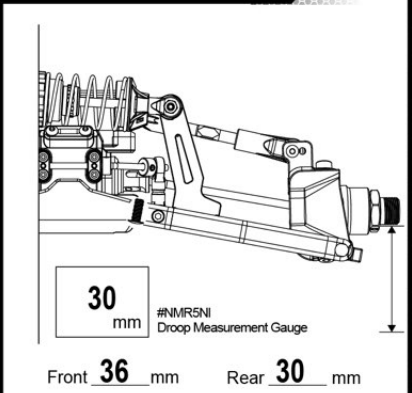
FRONT SHOCK



REAR SHOCK



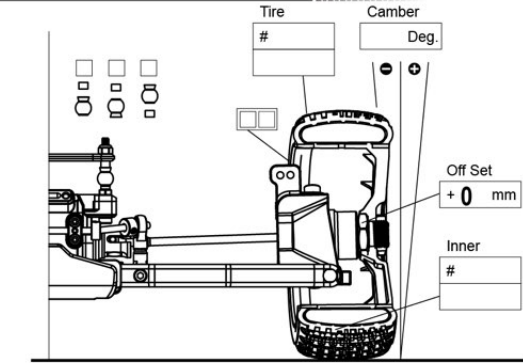
DROOP LIMITER



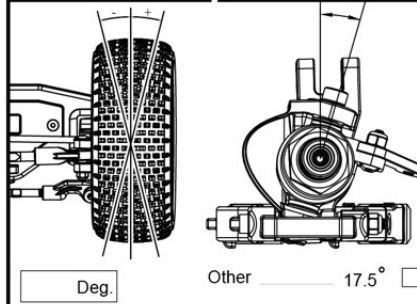
Indoor Tight Smooth Hard Packed Blue Groove
 Wet Low Bite High Bite Outdoor Open Rough Loose/Loamy
 Dry Dusty Med Bite Other

ELECTRIC **ESC** **MOTOR** **BATTERY**
SPUR GEAR **T** **PINION GEAR** **T** Shoes 3 4 Spring mm
 Oil # Oil # Oil #
T X **T** **Spur gear** **T** **T X** **T**

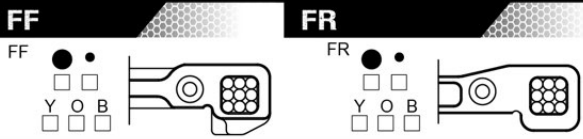
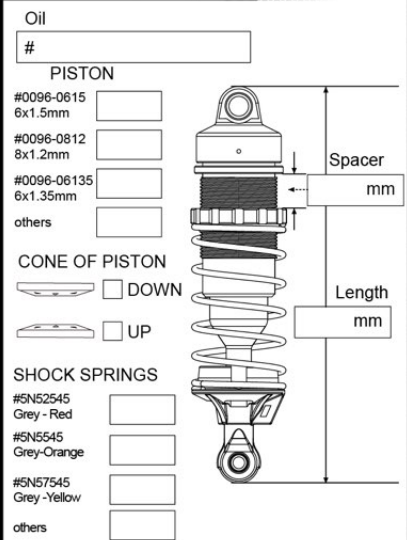
FRONT SUSPENSION



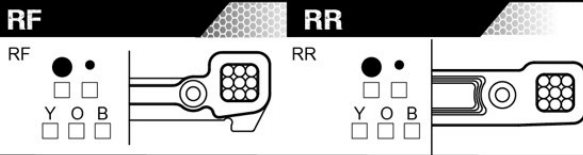
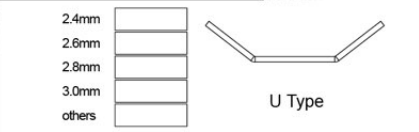
FRONT TOE ANGLE | CASTER ANGLE



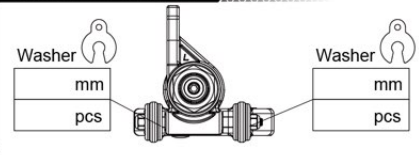
FRONT SHOCK



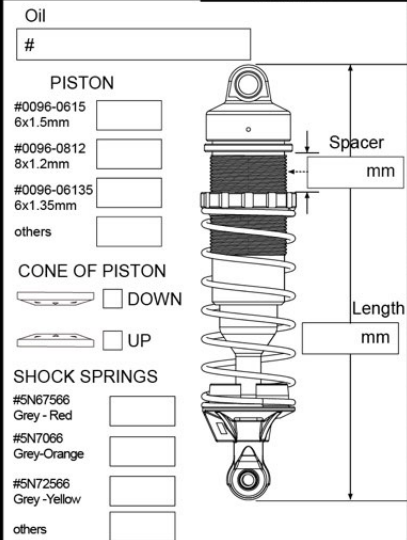
ANTI ROLL BAR FRONT



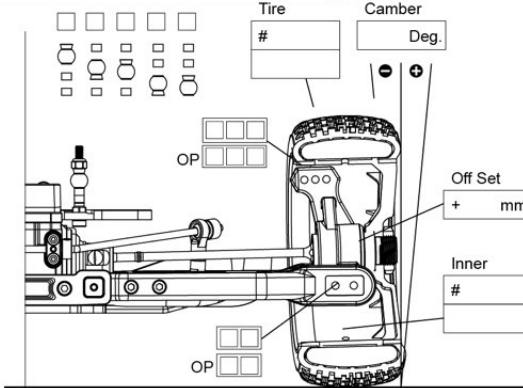
WHEEL BASE



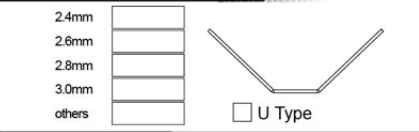
REAR SHOCK



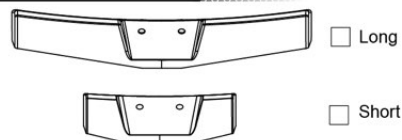
REAR SUSPENSION



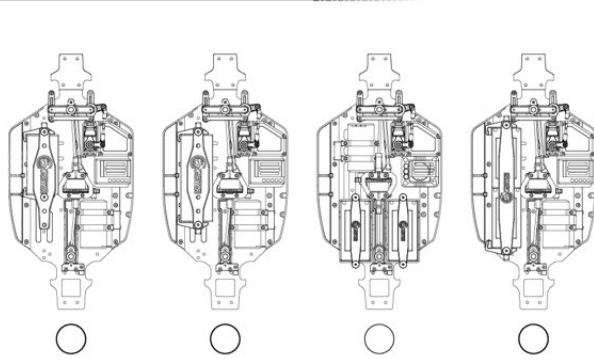
ANTI ROLL BAR REAR



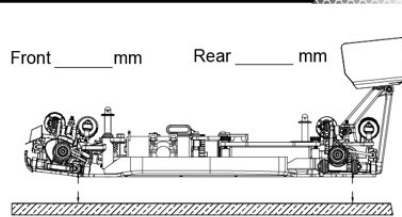
FRONT WING



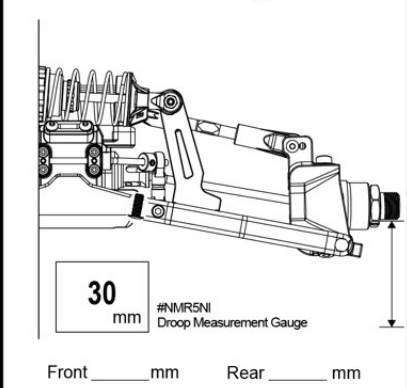
CONFIGURATION



RIDE HEIGHT



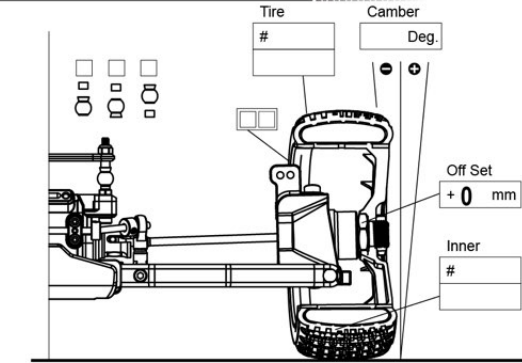
DROOP LIMITER



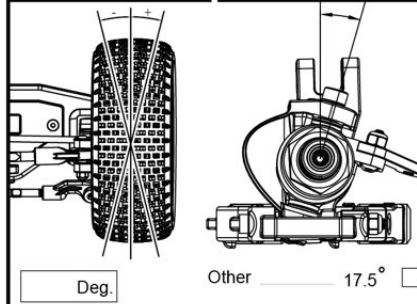
Indoor Tight Smooth Hard Packed Blue Groove
 Wet Low Bite High Bite Outdoor Open Rough Loose/Loamy
 Dry Dusty Med Bite Other

ELECTRIC **ESC** **MOTOR** **BATTERY**
SPUR GEAR **T** **PINION GEAR** **T** Shoes 3 4 Spring mm
 Oil # Oil # Oil #
T X **T** **Spur gear** **T** **T X** **T**

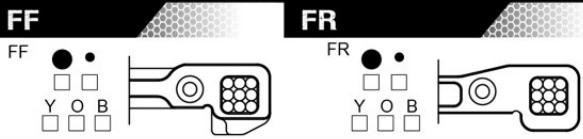
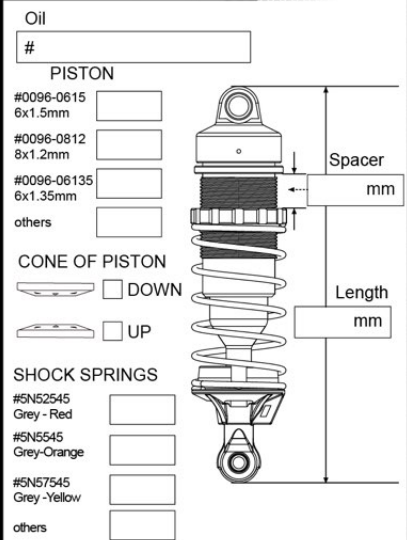
FRONT SUSPENSION



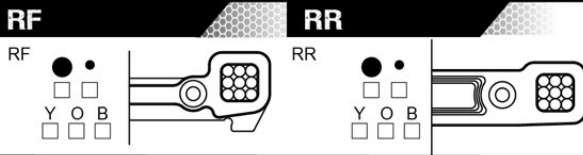
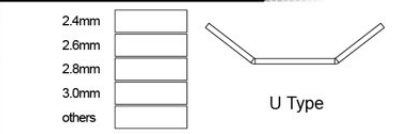
FRONT TOE ANGLE | CASTER ANGLE



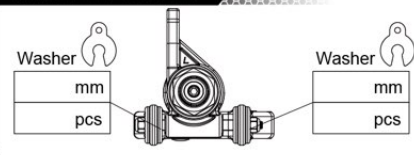
FRONT SHOCK



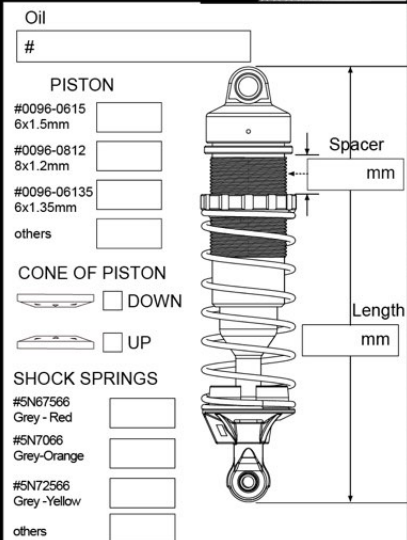
ANTI ROLL BAR FRONT



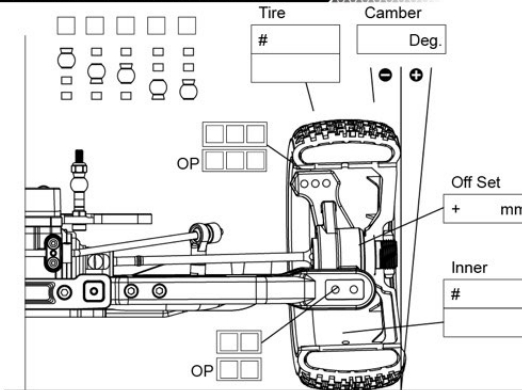
WHEEL BASE



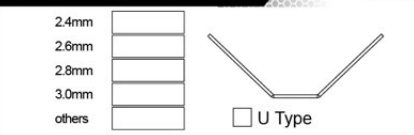
REAR SHOCK



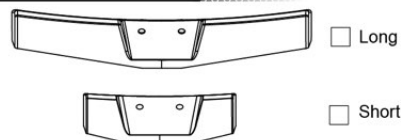
REAR SUSPENSION



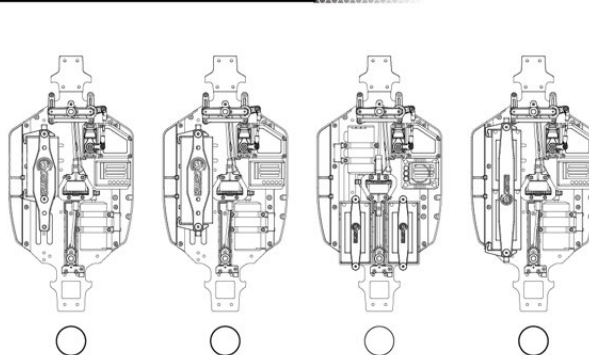
ANTI ROLL BAR REAR



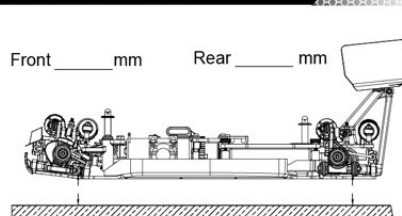
FRONT WING



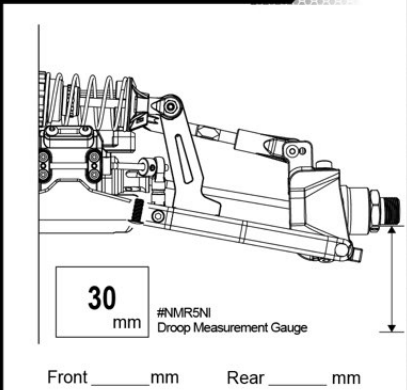
CONFIGURATION



RIDE HEIGHT



DROOP LIMITER



EN11

1/8 ELECTRIC BUGGY

