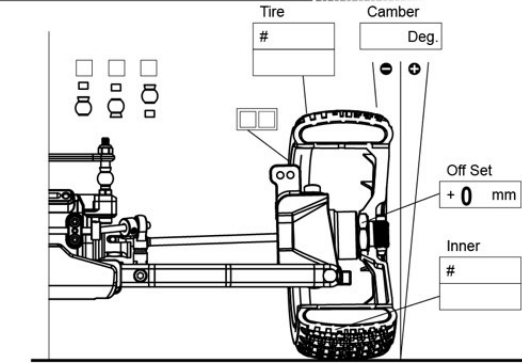


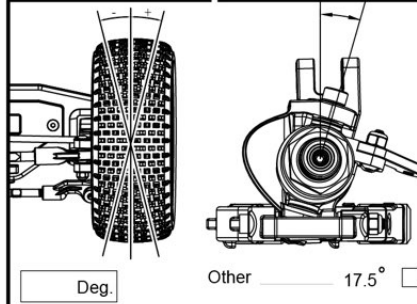
Indoor Tight Smooth Hard Packed Blue Groove
 Wet Low Bite High Bite Outdoor Open Rough Loose/Loamy
 Dry Dusty Med Bite Other

ELECTRIC **ESC** **MOTOR** **BATTERY**
SPUR GEAR **T** **PINION GEAR** **T** Shoes 3 4 Spring mm
 Oil # Oil # Oil #
T X **T** **Spur gear** **T** **T X** **T**

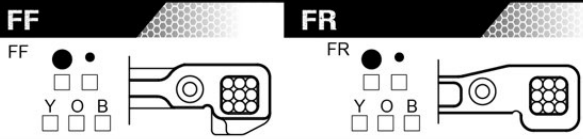
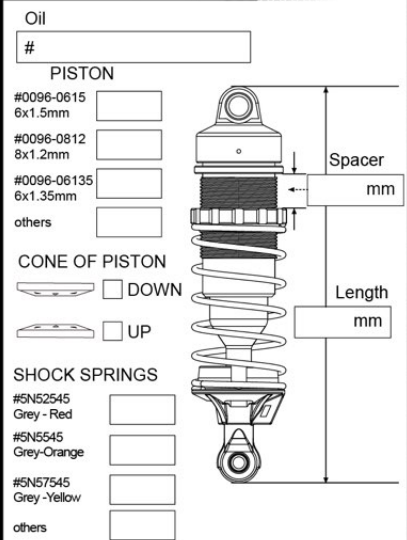
FRONT SUSPENSION



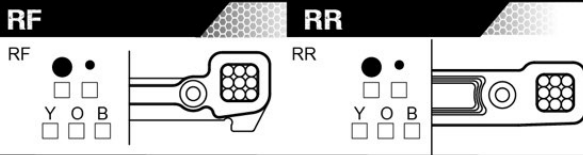
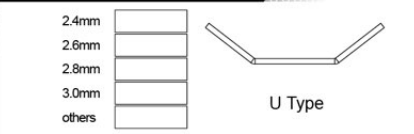
FRONT TOE ANGLE **CASTER ANGLE**



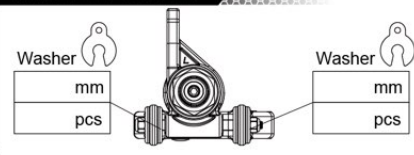
FRONT SHOCK



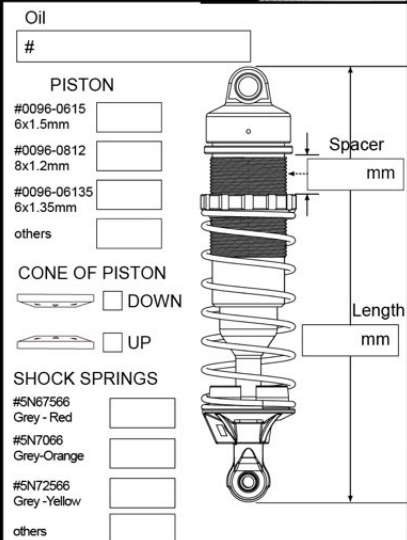
ANTI ROLL BAR FRONT



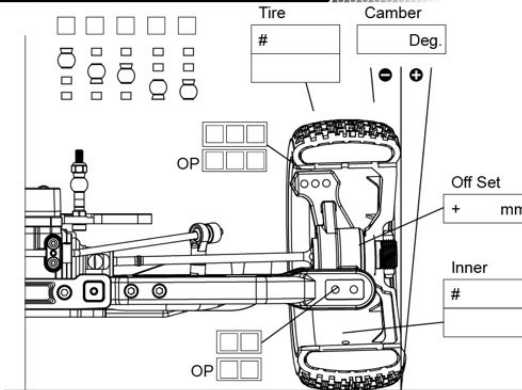
WHEEL BASE



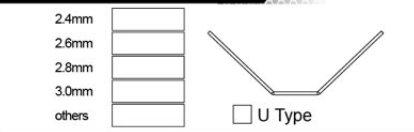
REAR SHOCK



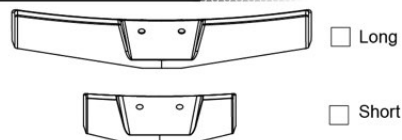
REAR SUSPENSION



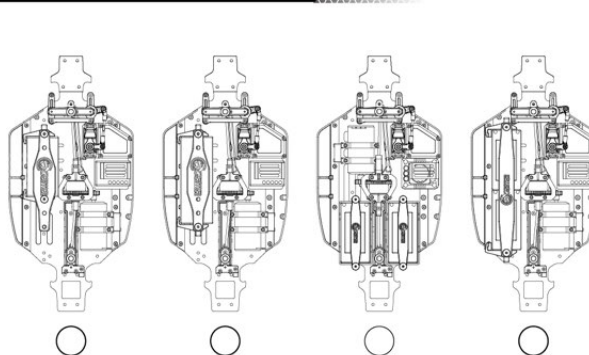
ANTI ROLL BAR REAR



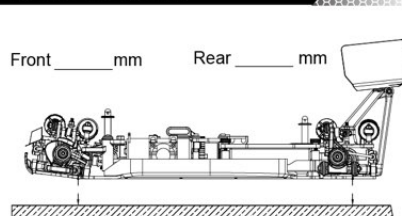
FRONT WING



CONFIGURATION



RIDE HEIGHT



DROOP LIMITER

