

TRACK CONDITIONS

Indoor Tight Smooth Hard Packed Blue Groove

Wet Low Bite High Bite Outdoor Open Rough Loose/Loamy

Dry Dusty Wed Bite Other

ENGINE

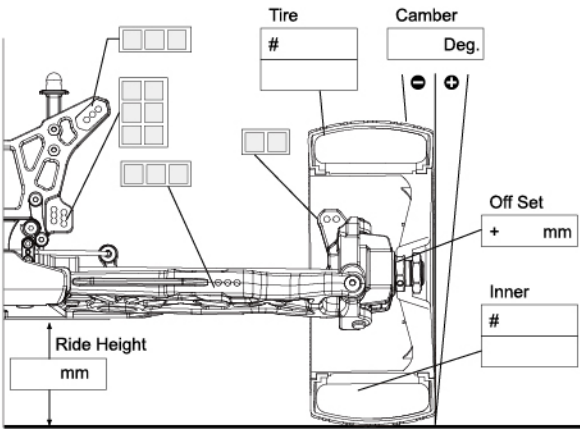
Gasket mm Plug Muffler Fuel

Clutch bell 13T 14T 15T Other T Shoes 3 4 Spring mm

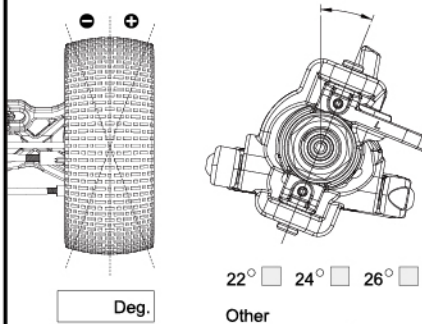
DIFF Front Oil # Center Oil # Rear Oil #

T x T Spur gear T T x T

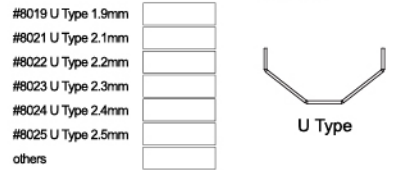
FRONT SUSPENSION



FRONT TOE ANGLE | CASTER ANGLE



ANTI ROLL BAR



KICK UP

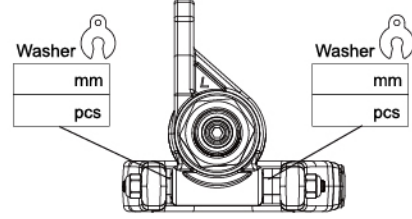


ANTI SQUAT

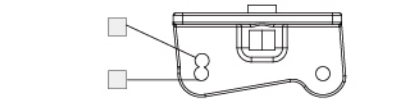
TOE ANGLE



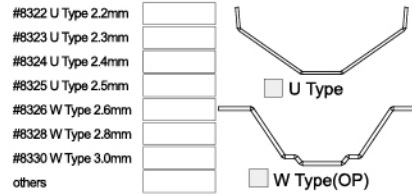
WHEEL BASE



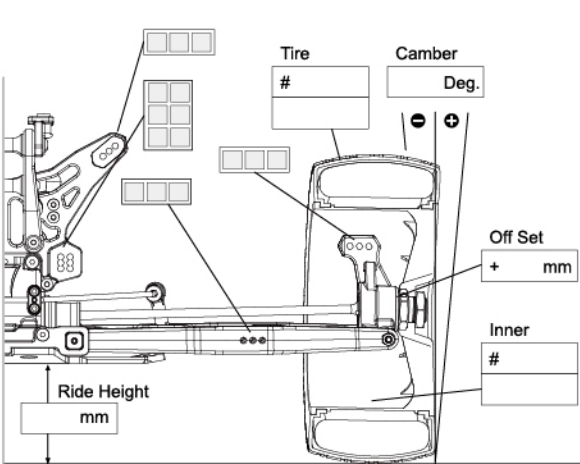
WING POSITION



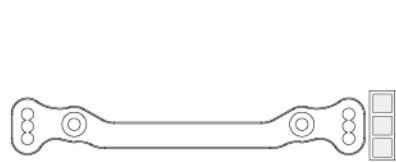
ANTI ROLL BAR



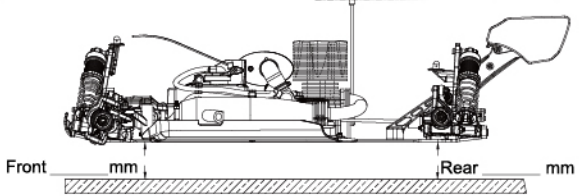
REAR SUSPENSION



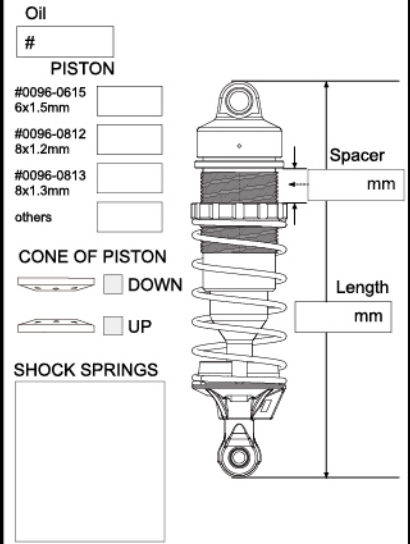
ACKERMAN



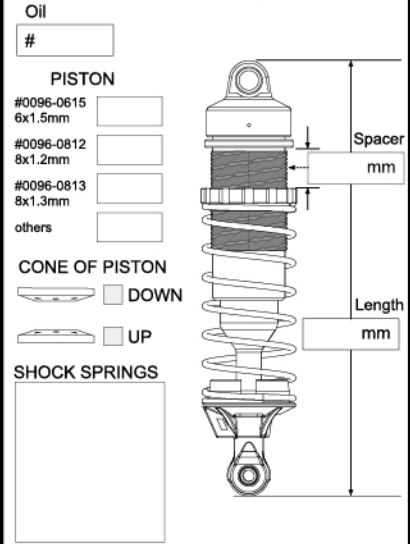
RIDE HEIGHT



FRONT SHOCK



REAR SHOCK



REBOUND

