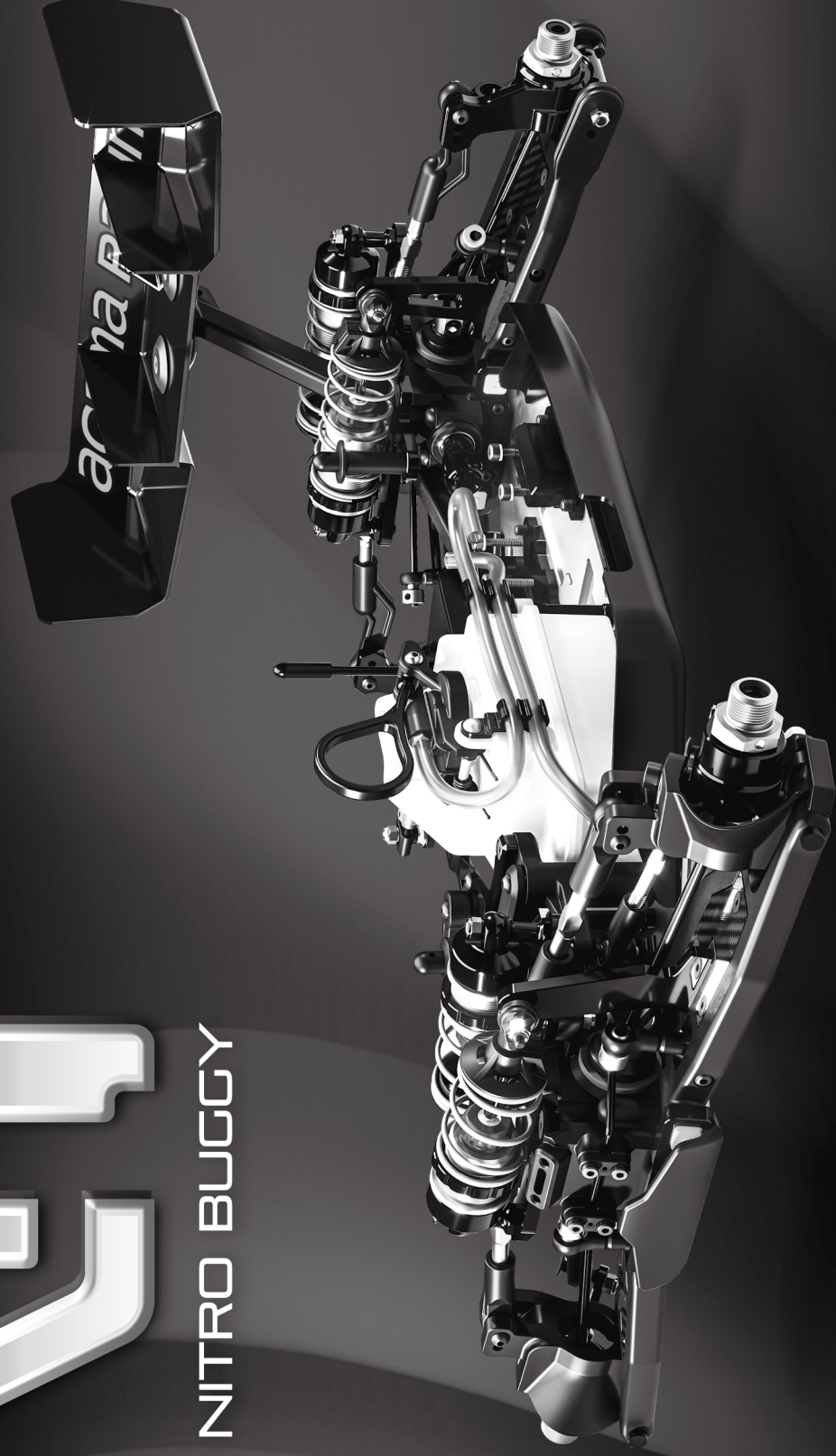


# AGAMA

1/8 NITRO BUGGY

# GEN IV PRO KIT



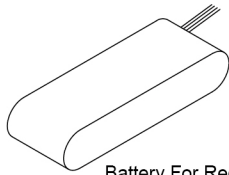
## *Instruction Manual*

Agama vehicles fit a wide range of skilled drivers. Pros and Beginners alike can experience Agama products with great results! Agama products are designed with quality and precision in mind.

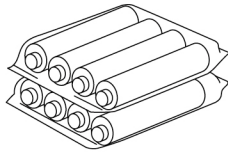
<b>INTRODUCTION</b>		<b>01</b>
<b>CAUTION</b>		<b>02</b>
<b>BAG A</b>	Front Diff Installation	<b>03</b>
	Rear Diff Installation	<b>04</b>
	Center Diff Installation	<b>05</b>
<b>BAG B</b>	Shock Install (Front & Rear)	<b>06-07</b>
<b>BAG C</b>	Front Spindle & CVD Installation	<b>08</b>
<b>BAG D</b>	Front End Installation	<b>9-11</b>
<b>BAG E</b>	Rear Hub & CVD Installation	<b>12</b>
<b>BAG F</b>	Rear End Installation	<b>13-15</b>
<b>BAG G</b>	Center Diff/Brake Installation	<b>16</b>
<b>BAG H</b>	Switch/Antenna tube Installation	<b>17-18</b>
<b>BAG I</b>	Flywheel Assembly	
	Clutch Bell Assembly	<b>19-21</b>
	Engine Mount Assembly	
<b>BAG J</b>	Servo Saver Installation	
	Steering Servo Link Assembly	
	Steering Post & Front Chassis Support Assembly	<b>22-23</b>
	Steering Saver & Front Chassis Brace Assembly	
	Completed Steering Assembly	
<b>BAG K</b>	Chassis Guard Installation	<b>24</b>
<b>BAG L</b>	Throttle/Brake Linkage Assembly	<b>25</b>
	Completed Throttle/Brake Assembly	
<b>BAG M</b>	Air Filter Assembly	<b>26</b>
<b>CHASSIS INSTALLATION</b>		<b>27-34</b>
<b>FACTORY SETUP SHEET</b>		<b>35-37</b>

**Notice:** The following items are needed for completion of the PRO KIT, They are not included with this kit (unless noted), and should be obtained from your local hobby shop.  
**Be sure to read the instructions completely prior to assembly.**

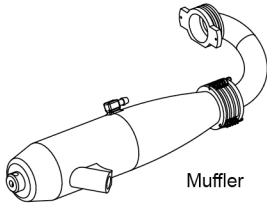
## ADDITIONAL ITEMS NEEDED FOR COMPLETION



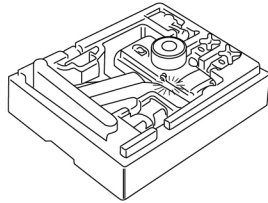
Battery For Receiver  
68x37x20mm



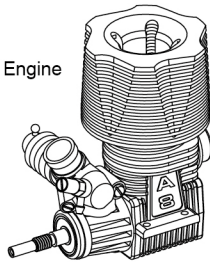
Battery For Transmitter



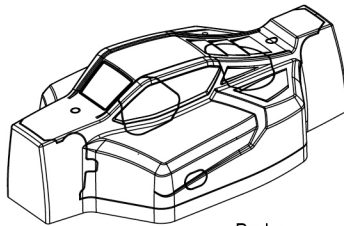
Muffler



2 Channel Radio

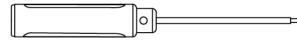


Engine

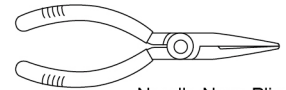


Body

## TOOLS NEEDED TO ASSEMBLE



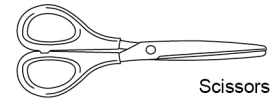
Hex Wrenches



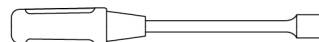
Needle Nose Pliers



Phillips Type Screw Driver



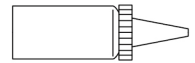
Scissors



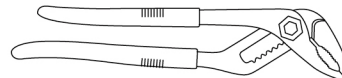
Box Wrench(5.5mm / 7mm / 10mm)



Hobby Knife



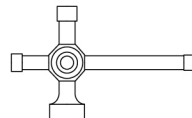
Instant Glue



Pliers



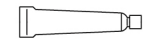
Thread Locker



Utility Wrench



Glass or Vinyl Tape



Rubber Glue

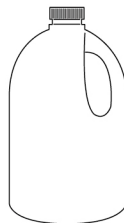
## ADDITIONAL ITEMS NEEDED FOR STARTING



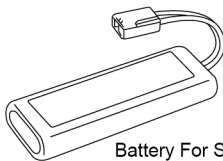
Air Filter Oil



Fuel bottle



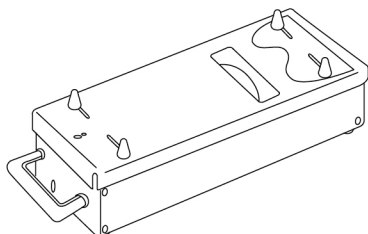
Fuel



Battery For Starter Box

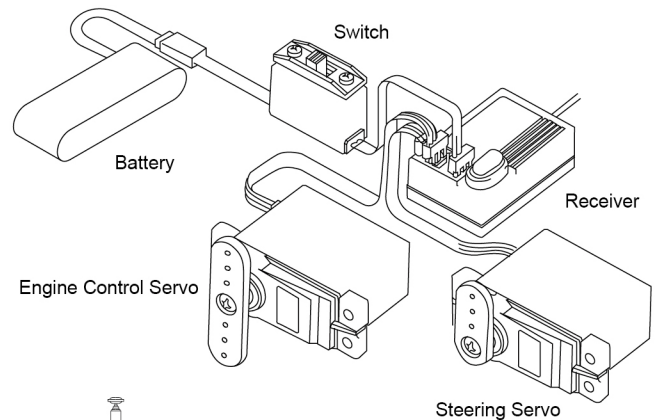


Glow Plug Ignitor



Starter Box

## ITEMS NEEDED TO CONTROL CAR



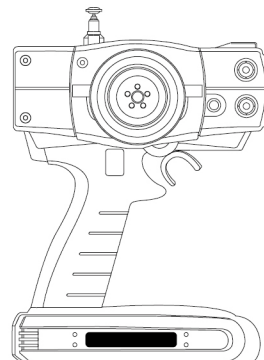
Battery

Switch

Receiver

Engine Control Servo

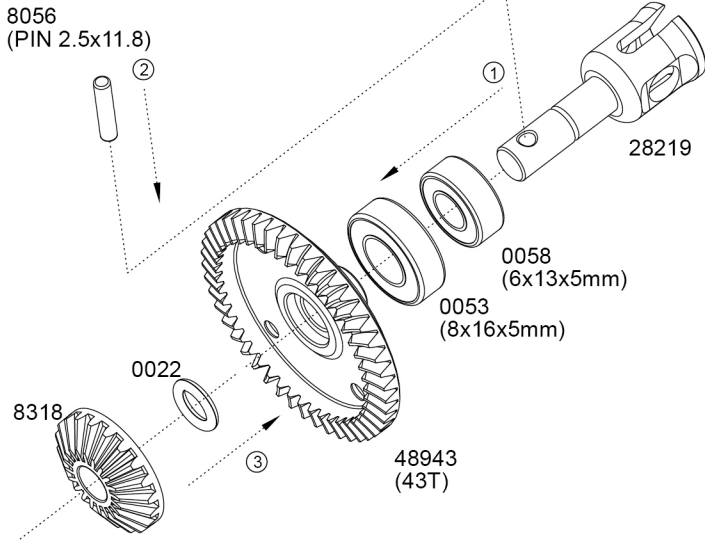
Steering Servo



Transmitter

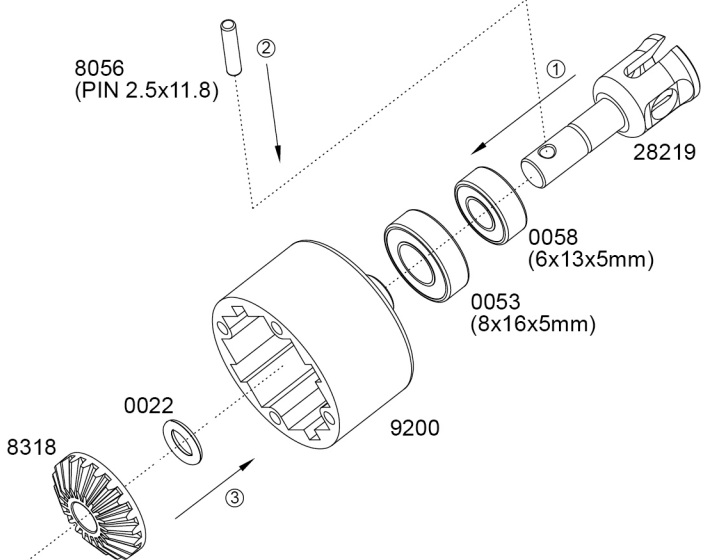
### STEP A - 1

#### Front Diff Ring Gear Assembly



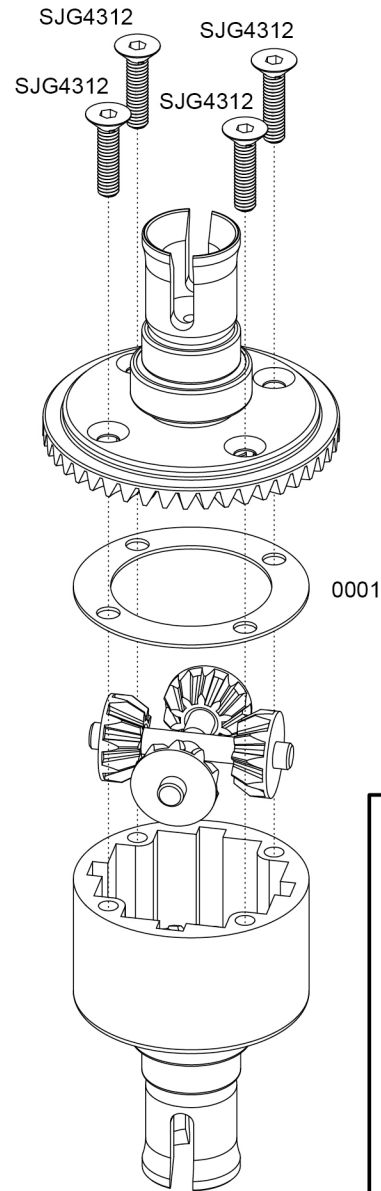
### STEP A - 2

#### Front Diff Case Assembly

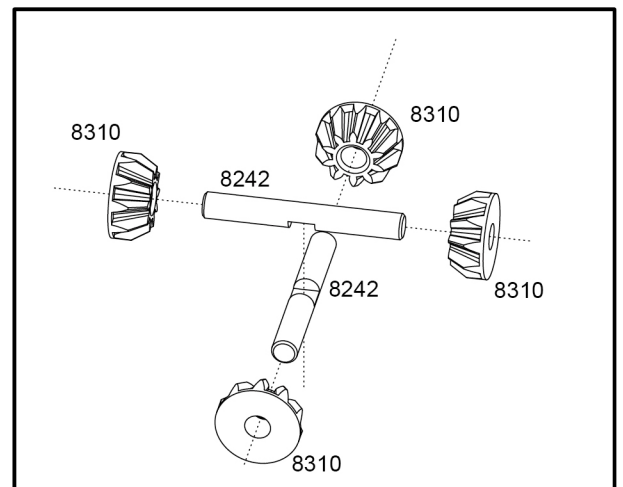
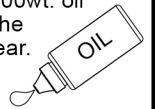


### STEP A - 3

#### Complete Front Diff Assembly

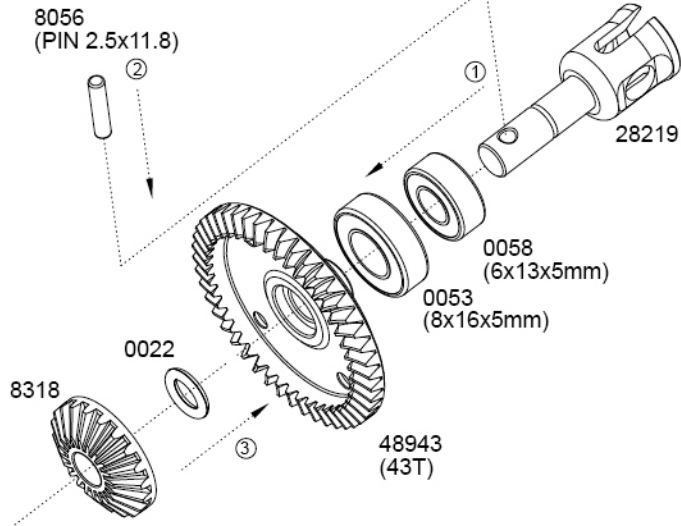


Fill with 10000wt. oil just above the planetary gear.



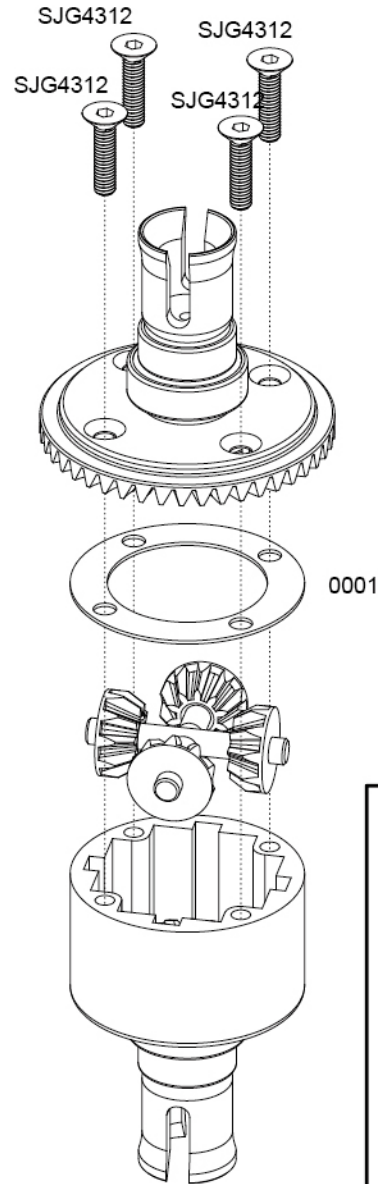
## STEP A - 4

### Rear Diff Ring Gear Assembly

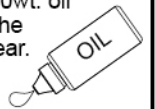


## STEP A - 6

### Complete Rear Diff Assembly

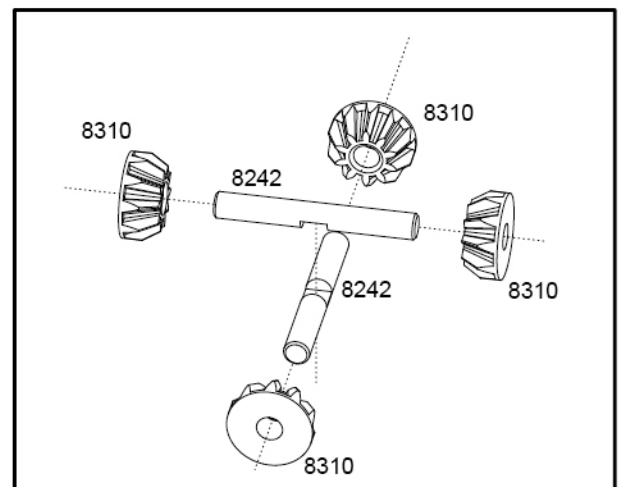
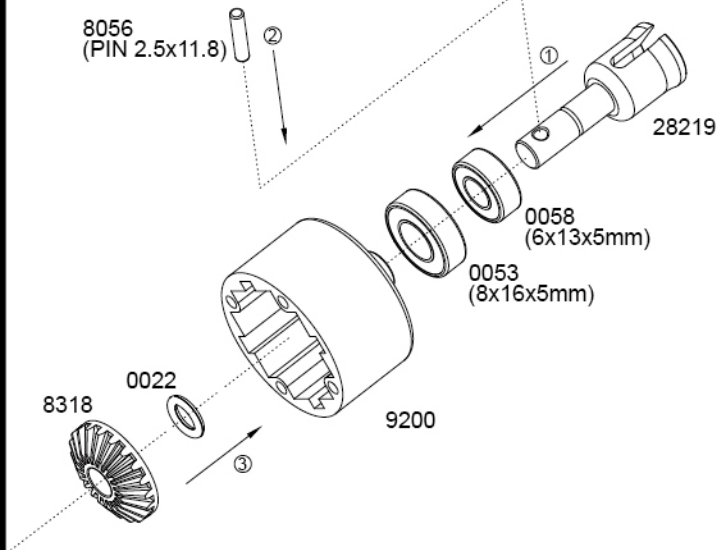


Fill with 5000wt. oil just above the planetary gear.



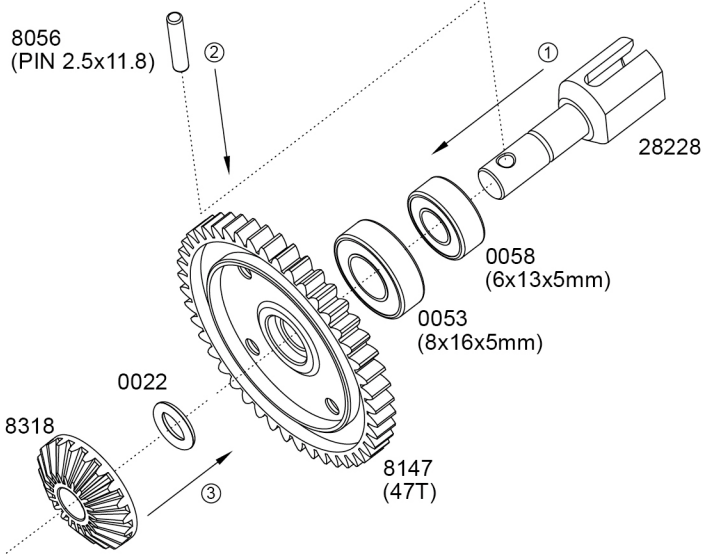
## STEP A - 5

### Rear Diff Case Assembly



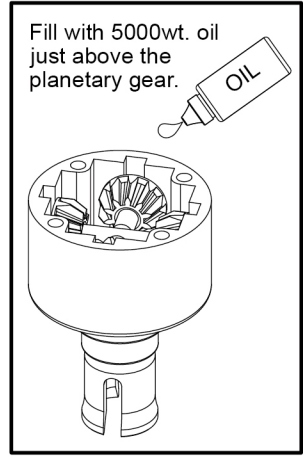
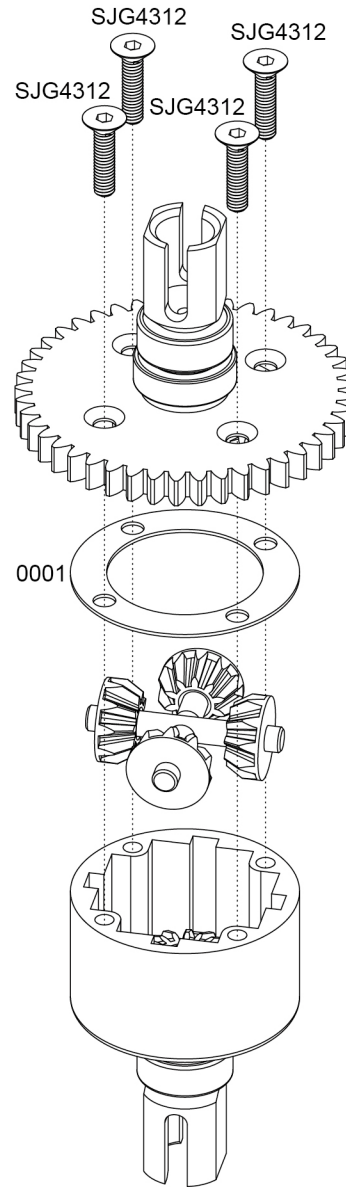
## STEP A - 7

### Center Diff Ring Gear Assembly



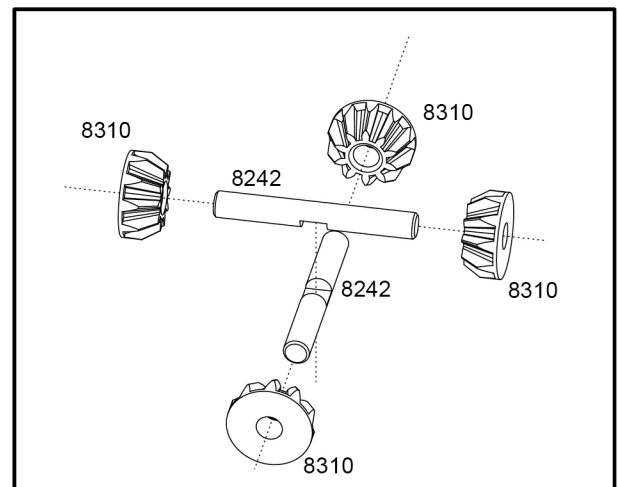
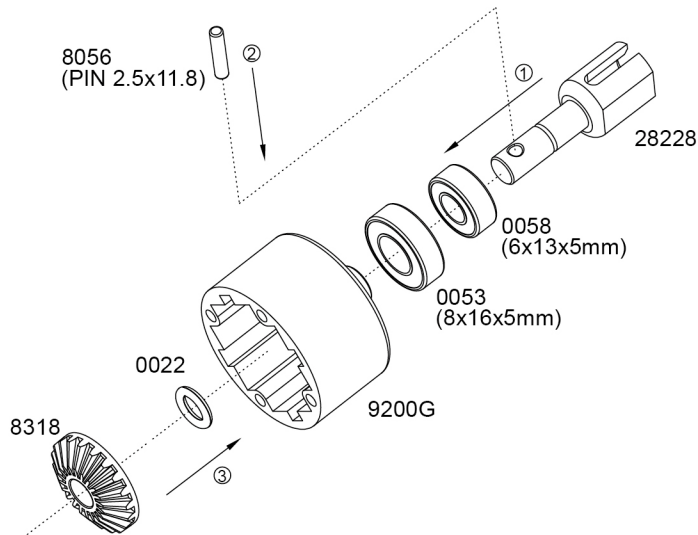
## STEP A - 9

### Complete Center Diff Assembly



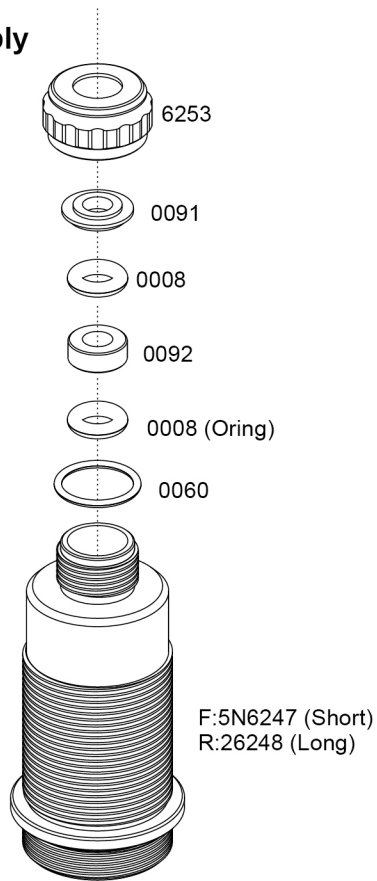
## STEP A - 8

### Center Diff Case Assembly



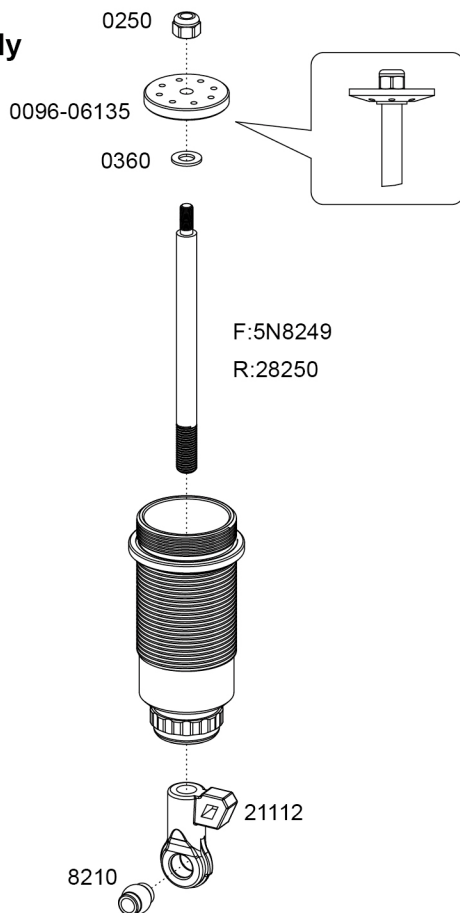
## STEP B - 1

### Shock Assembly (Front & Rear)



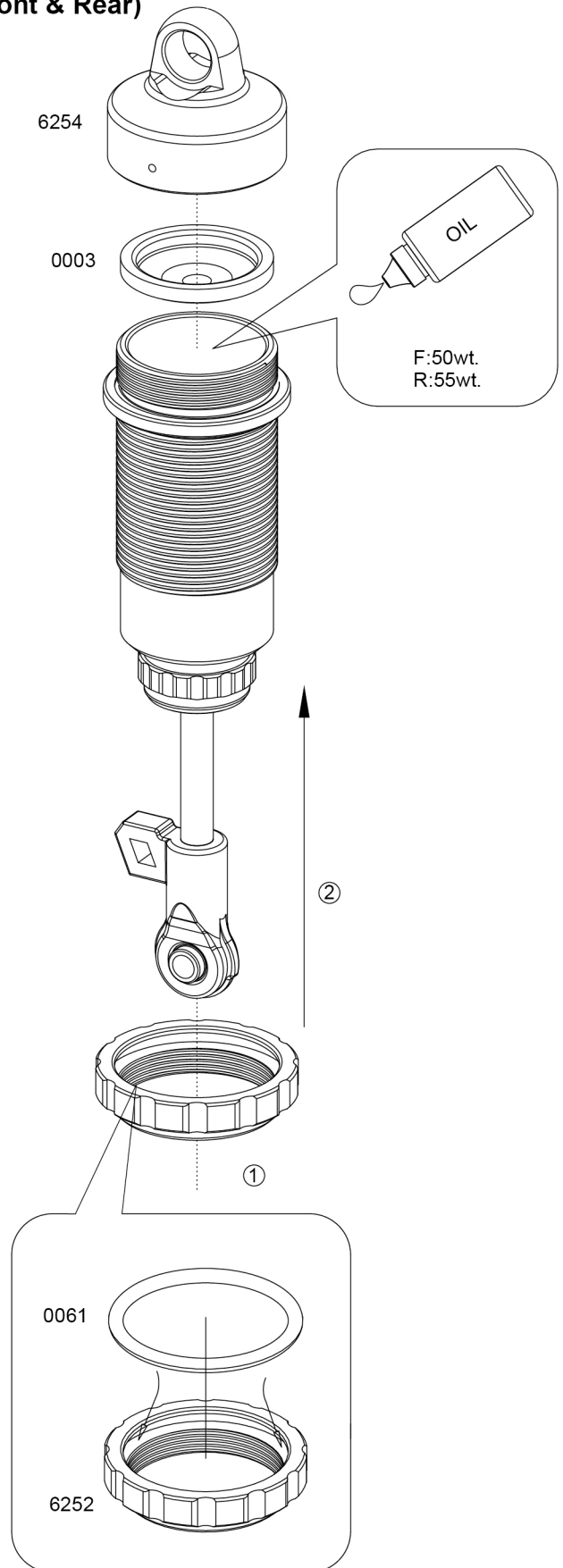
## STEP B - 2

### Shock Assembly (Front & Rear)



## STEP B - 3

### Shock Assembly (Front & Rear)

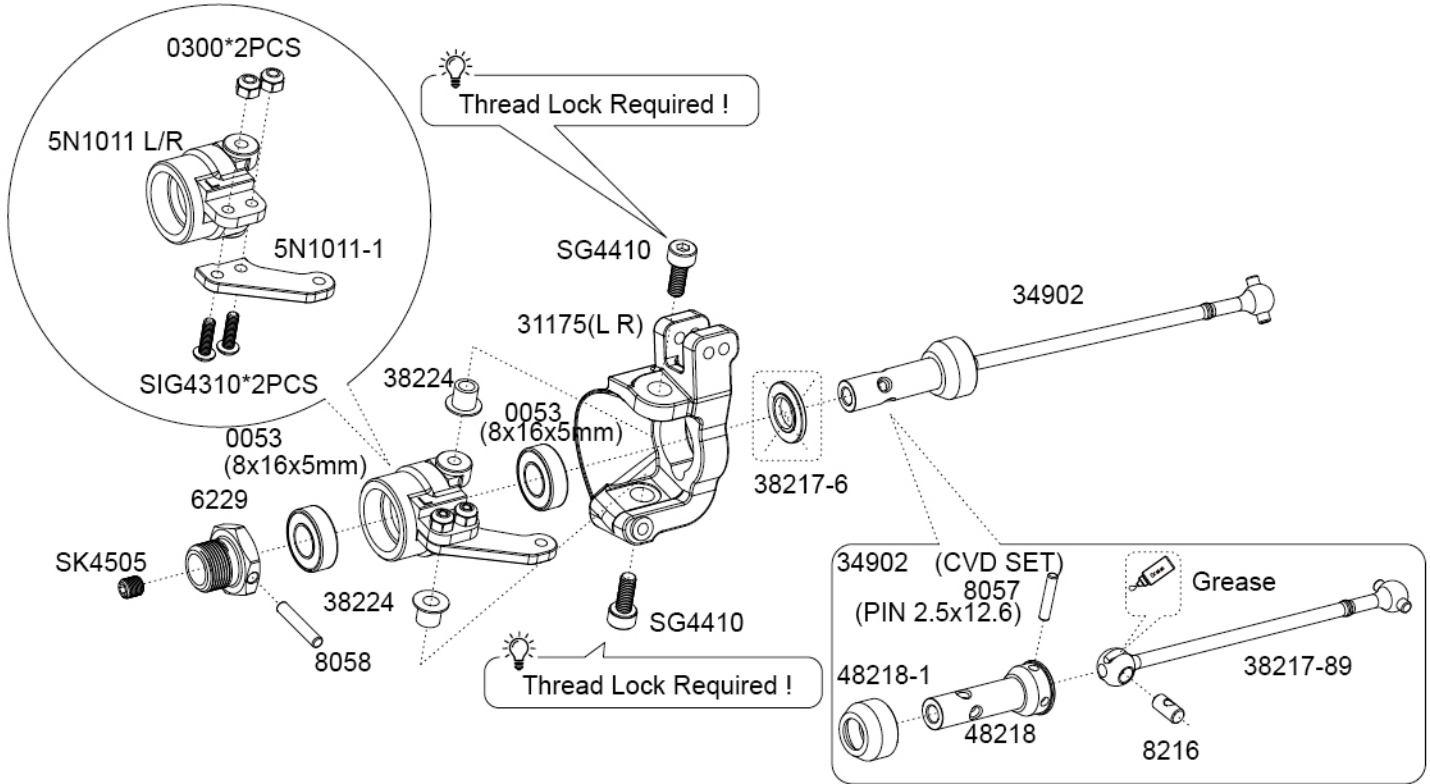






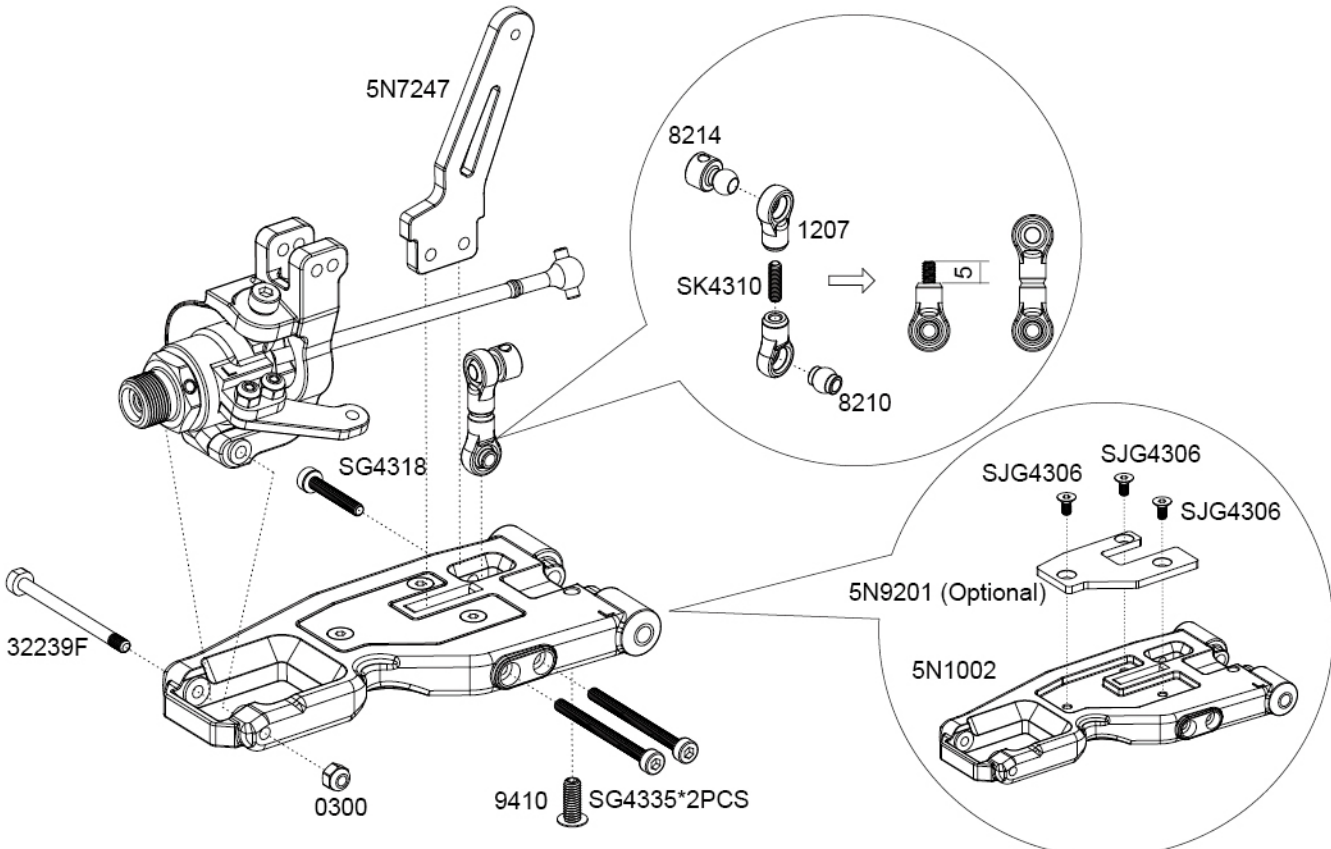
### STEP C - 1

### Front Spindle & Drive Shaft Assembly (Left/Right)



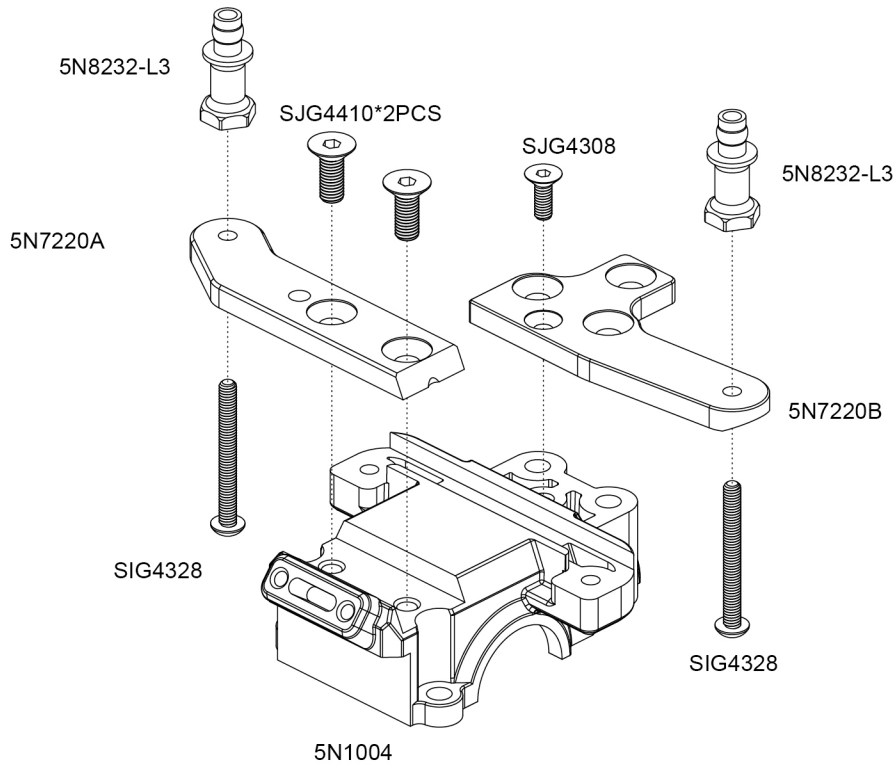
### STEP C - 2

### Front Spindle/Carrier & Suspension Arms Assembly (Left/Right)



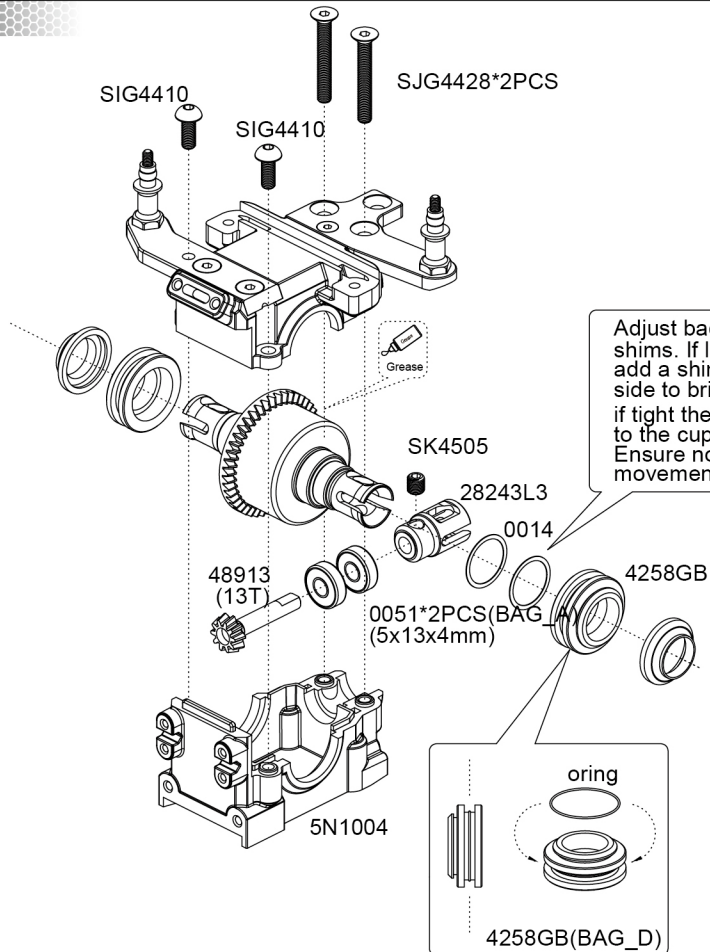
## STEP D - 1

### Front Diff Case/Shock Bracket Assembly



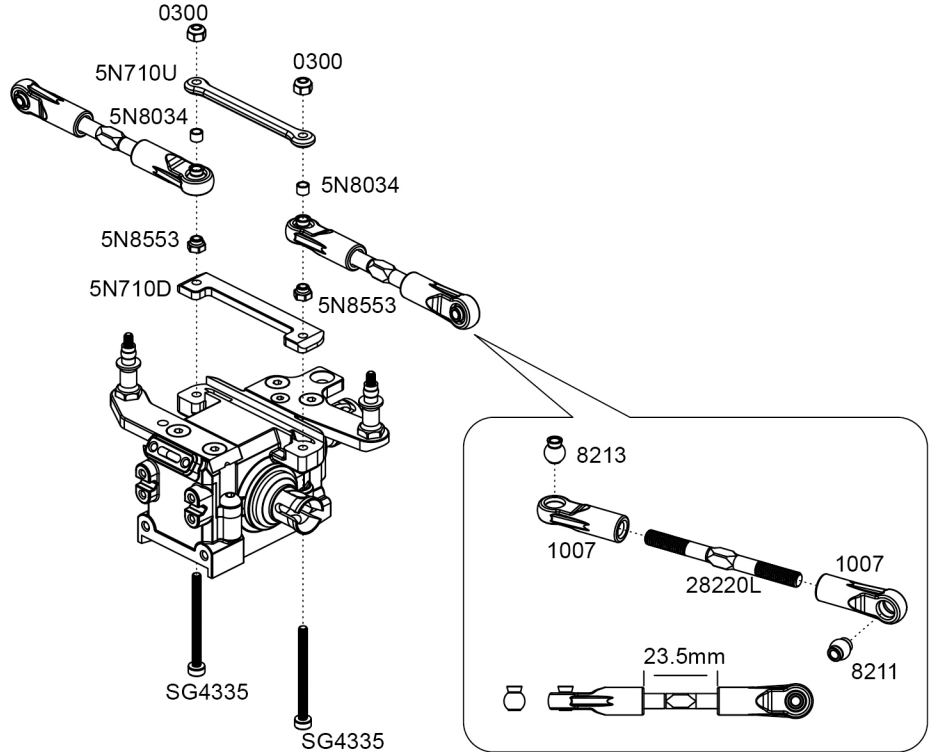
## STEP D - 2

### Front Diff Installation



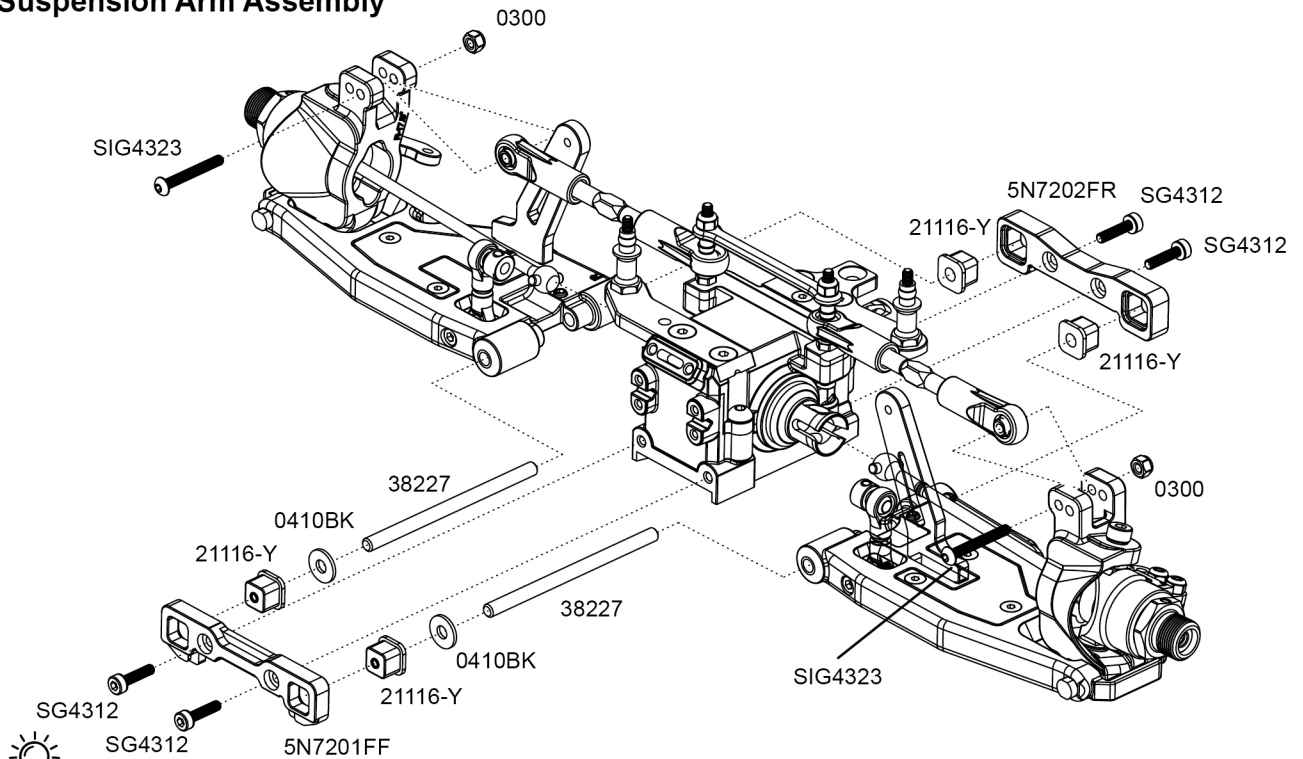
## STEP D - 3

### Front Camber Link Installation

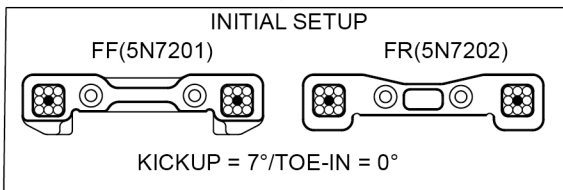


## STEP D - 4

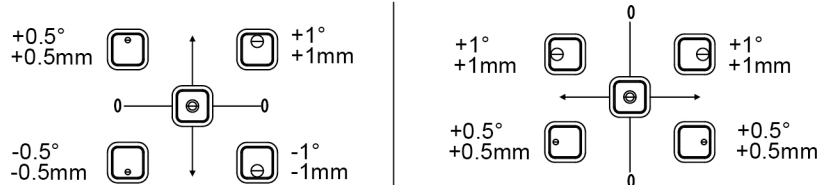
### Front Suspension Arm Assembly



Please set as per setup sheet

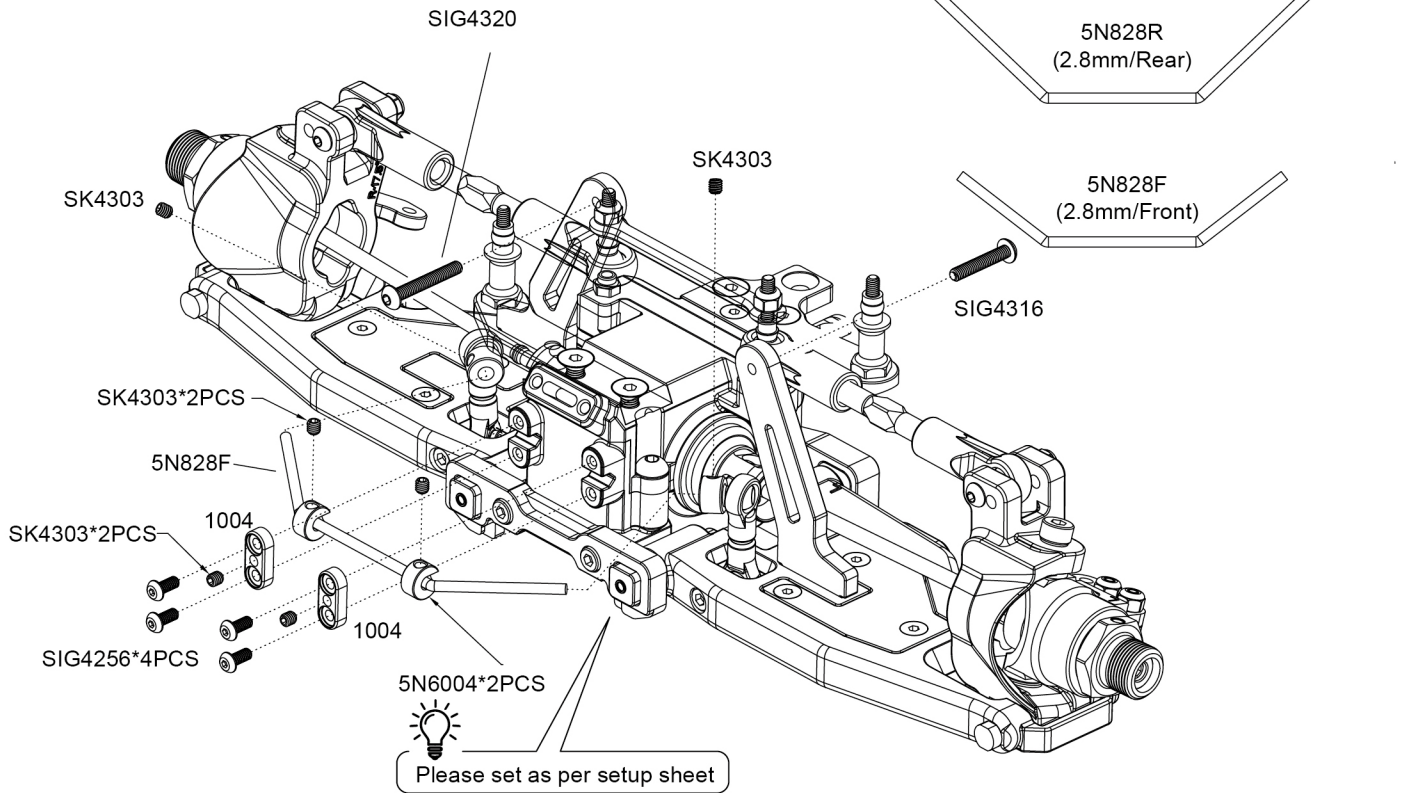


#### SUSPENSION BUSHINGS CHART



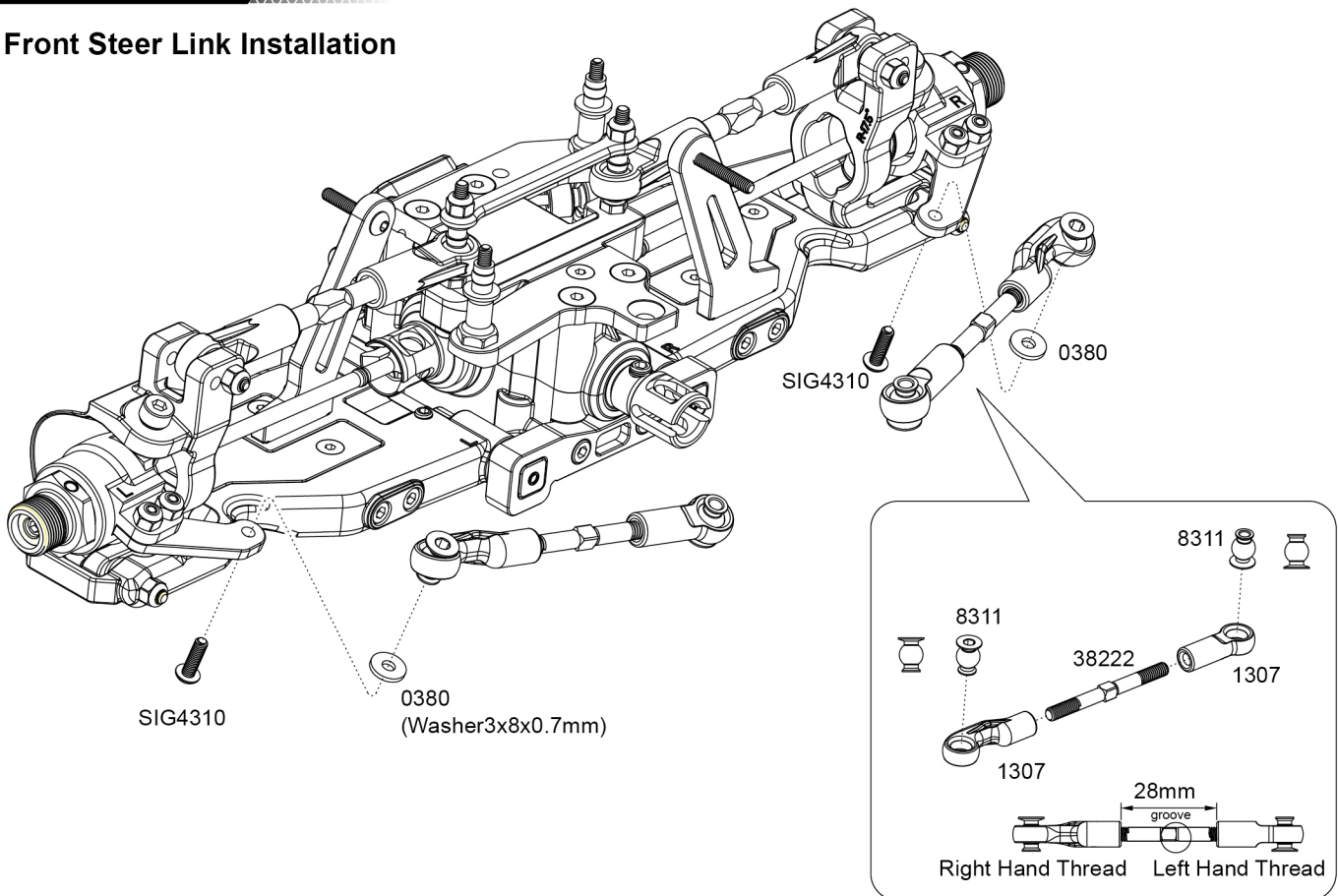
## STEP D - 5

### Front Swaybar/Shock Mounting Screws Assembly



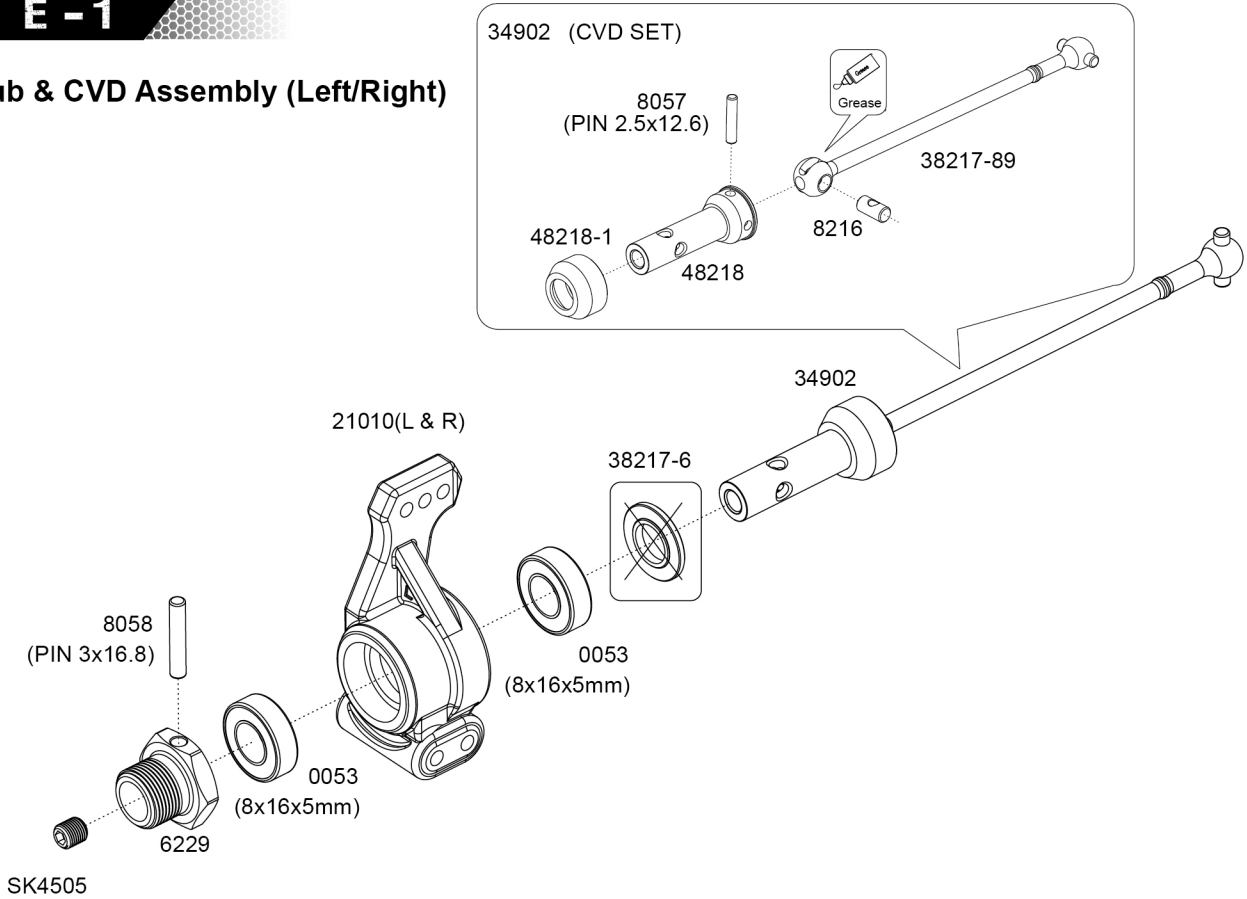
## STEP D - 6

### Front Steer Link Installation



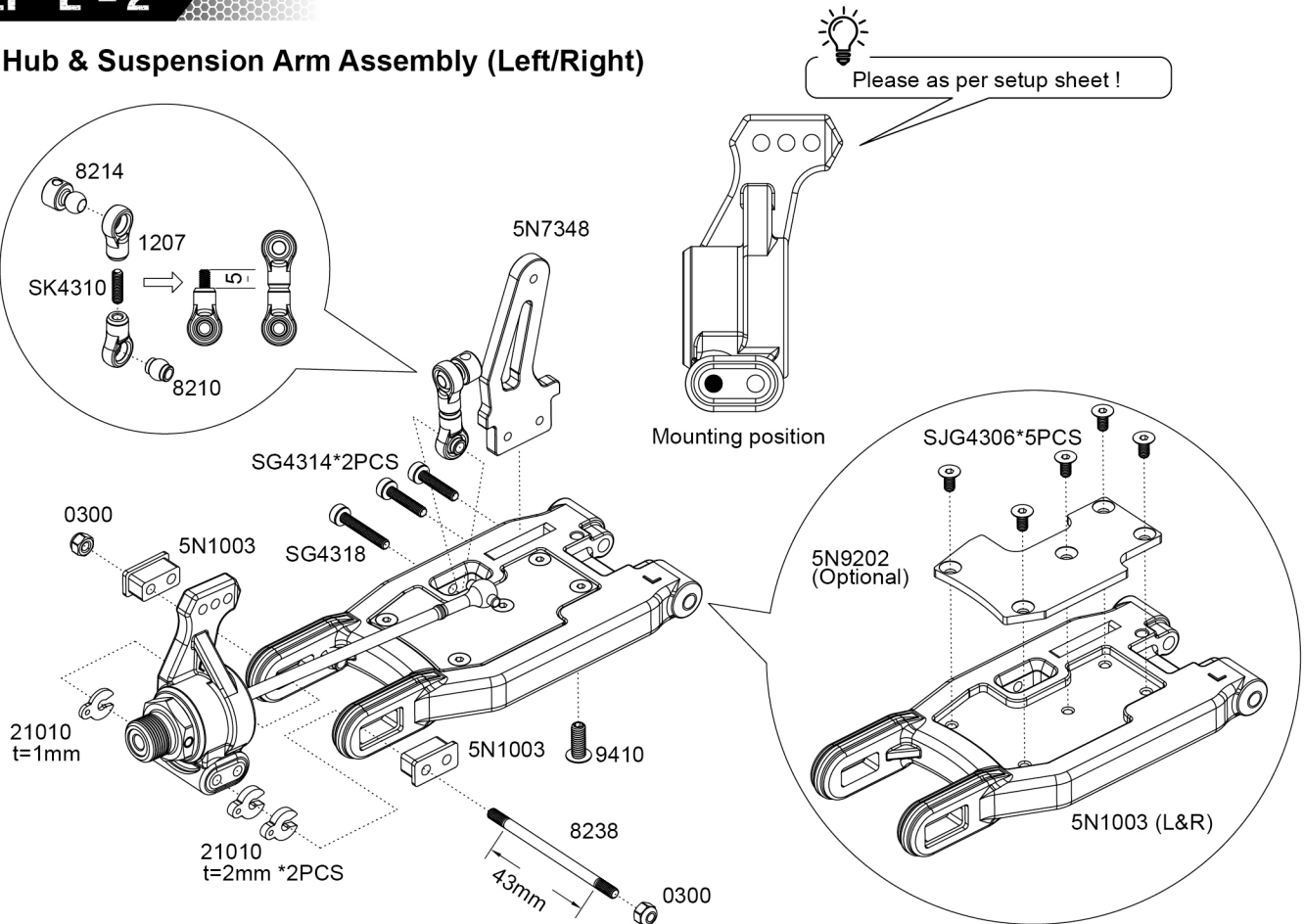
### STEP E - 1

#### Rear Hub & CVD Assembly (Left/Right)



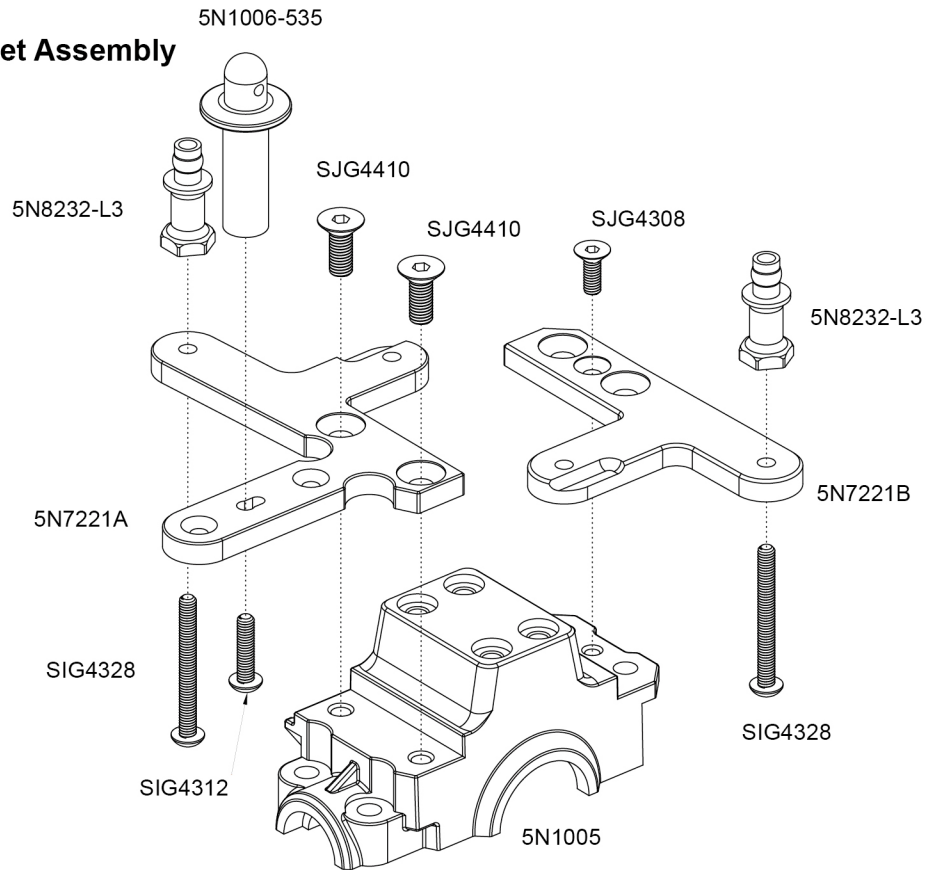
### STEP E - 2

#### Rear Hub & Suspension Arm Assembly (Left/Right)



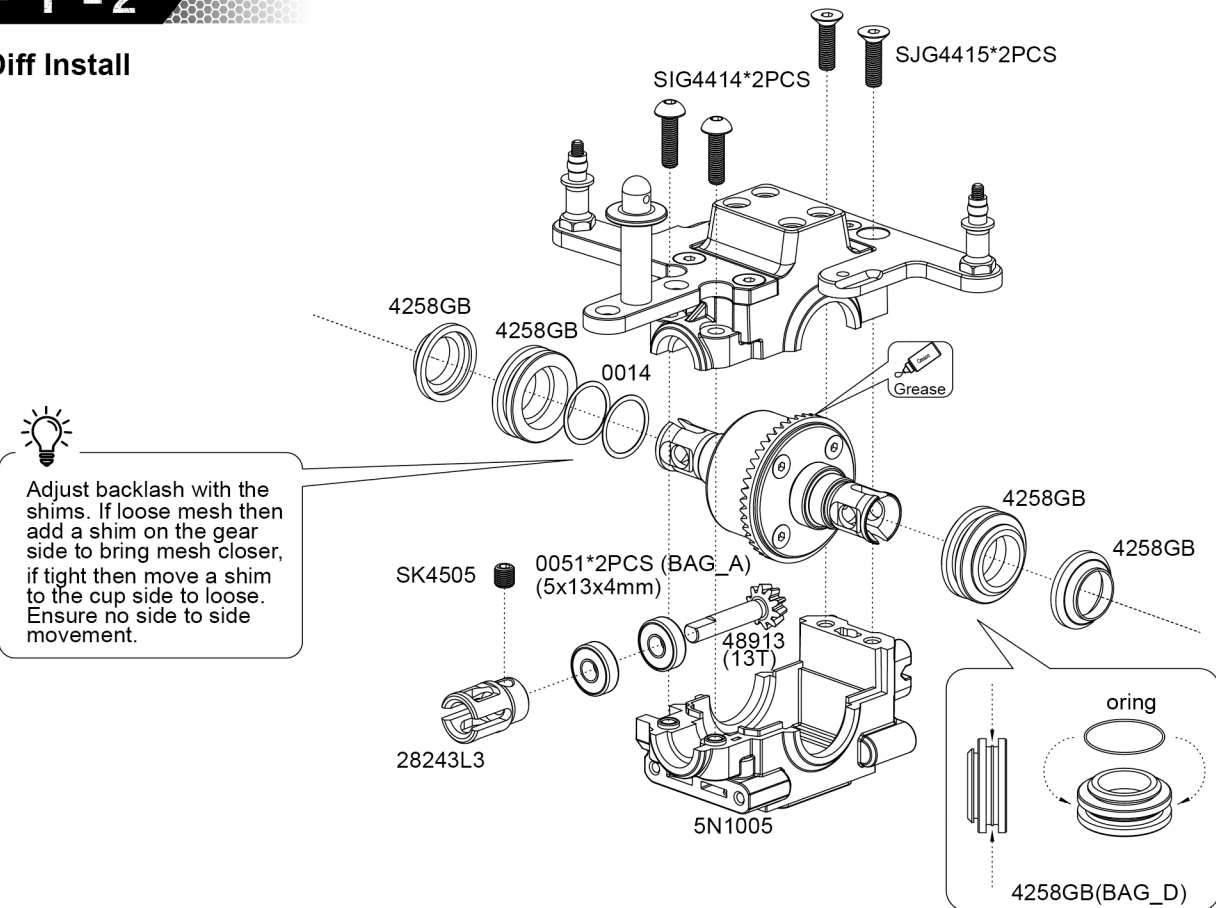
## STEP F - 1


### Rear Diff Case / Shock Bracket Assembly



## STEP F - 2

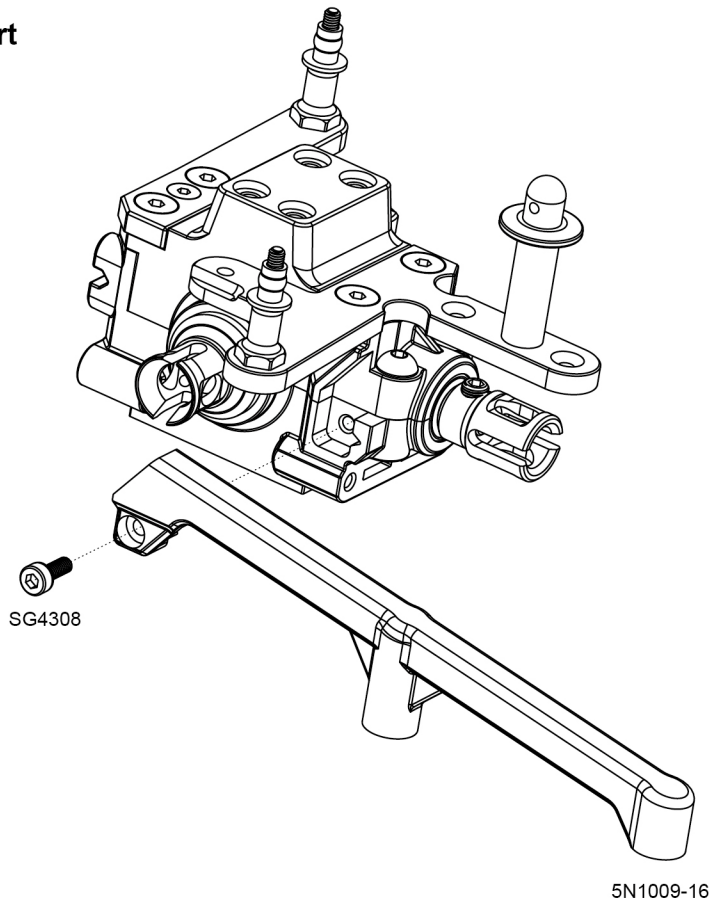
### Rear Diff Install



 Adjust backlash with the shims. If loose mesh then add a shim on the gear side to bring mesh closer, if tight then move a shim to the cup side to loose. Ensure no side to side movement.

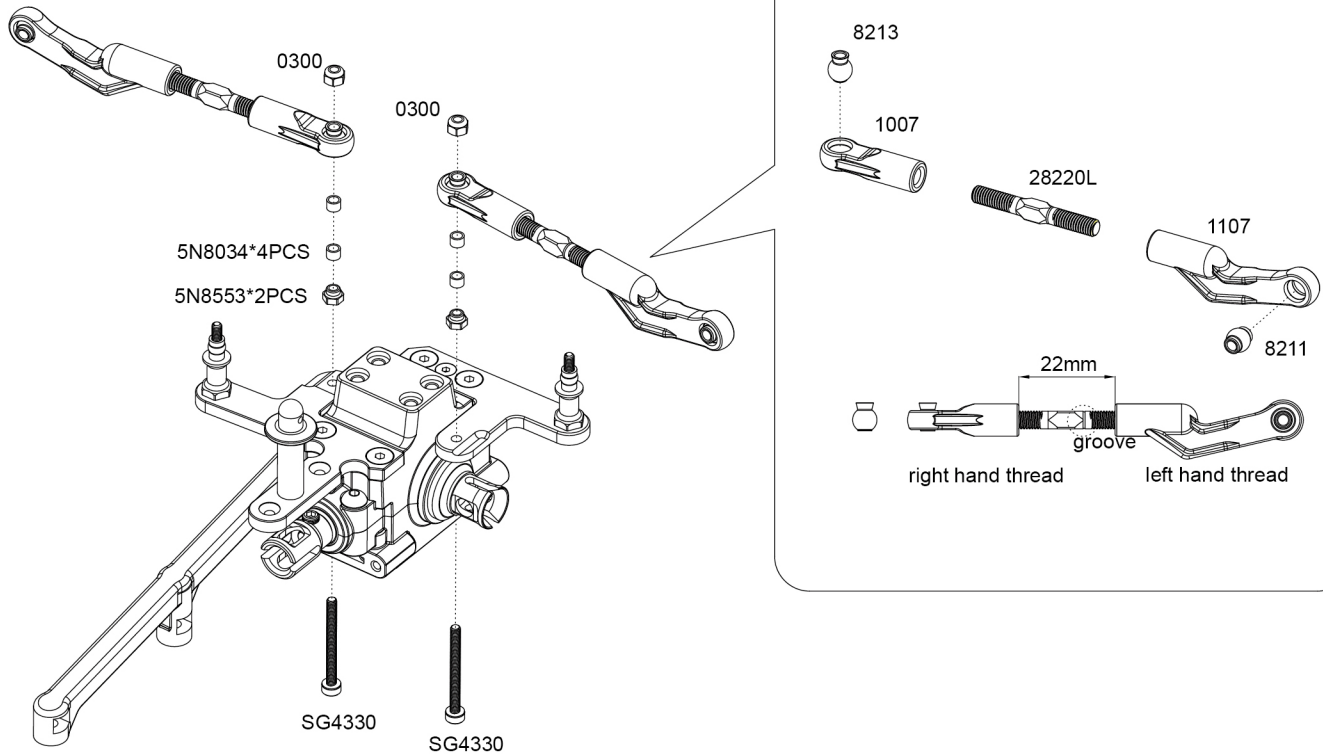
## STEP F - 3

### Rear Chassis Support



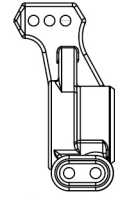
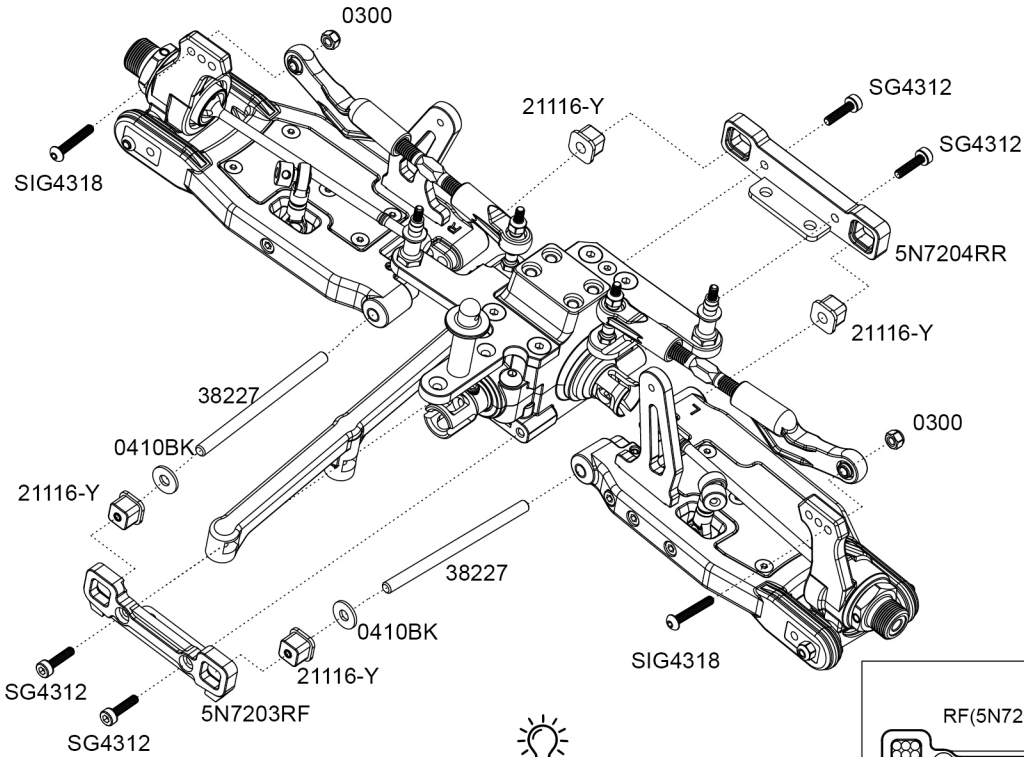
## STEP F - 4

### Rear Camber Link Install



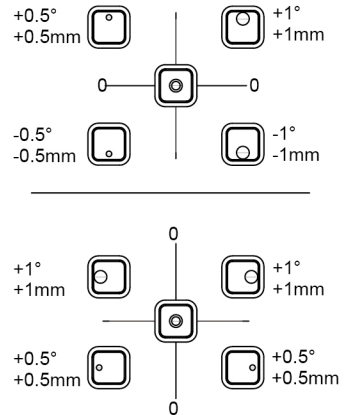
### STEP F - 5

#### Rear Hubs & Suspension Arm Assembly (Left/Right)



Mounting Position

#### SUSPENSION BUSHINGS CHART

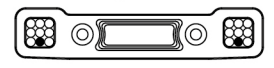
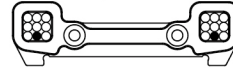


Please set as per setup sheet

#### INITIAL SETUP

RF(5N7203RF)

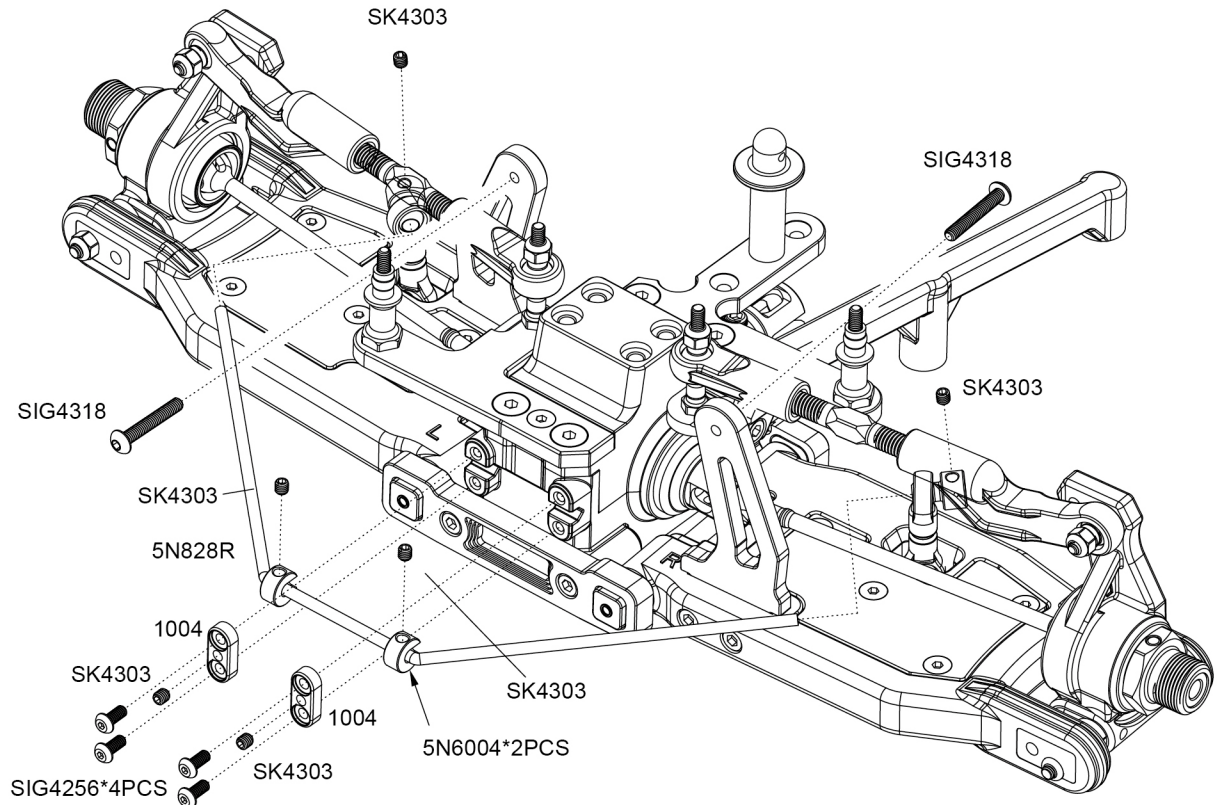
RR(5N7204RR)



ANTISQUAT = 1° / TOE IN = 3°

### STEP F - 6

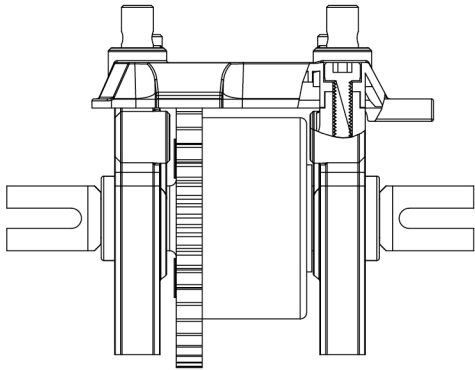
#### Rear Swaybar/Shock Mounting Screw Assembly



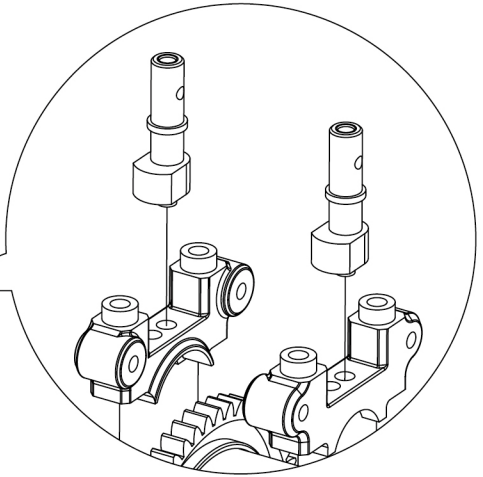
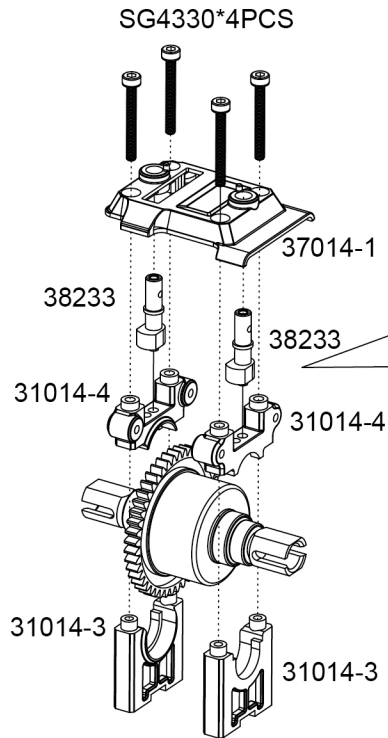


## STEP G - 1

### Center Diff Mount & Front Brake Assembly

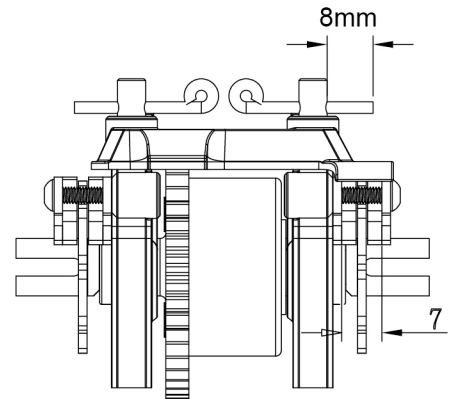
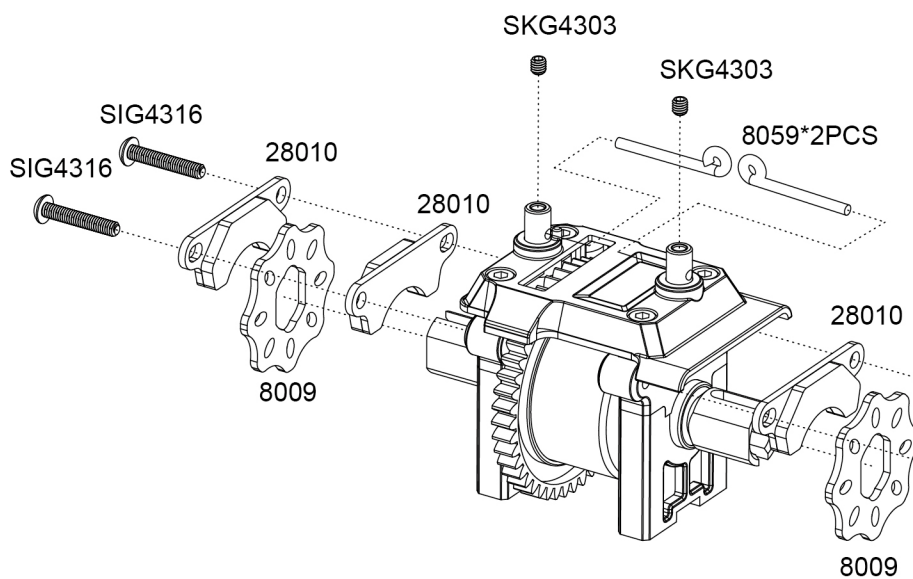


Please tighten the screws until they are flush with the top plastic plate, do not overtighten. Ensure free movement of brake cams.



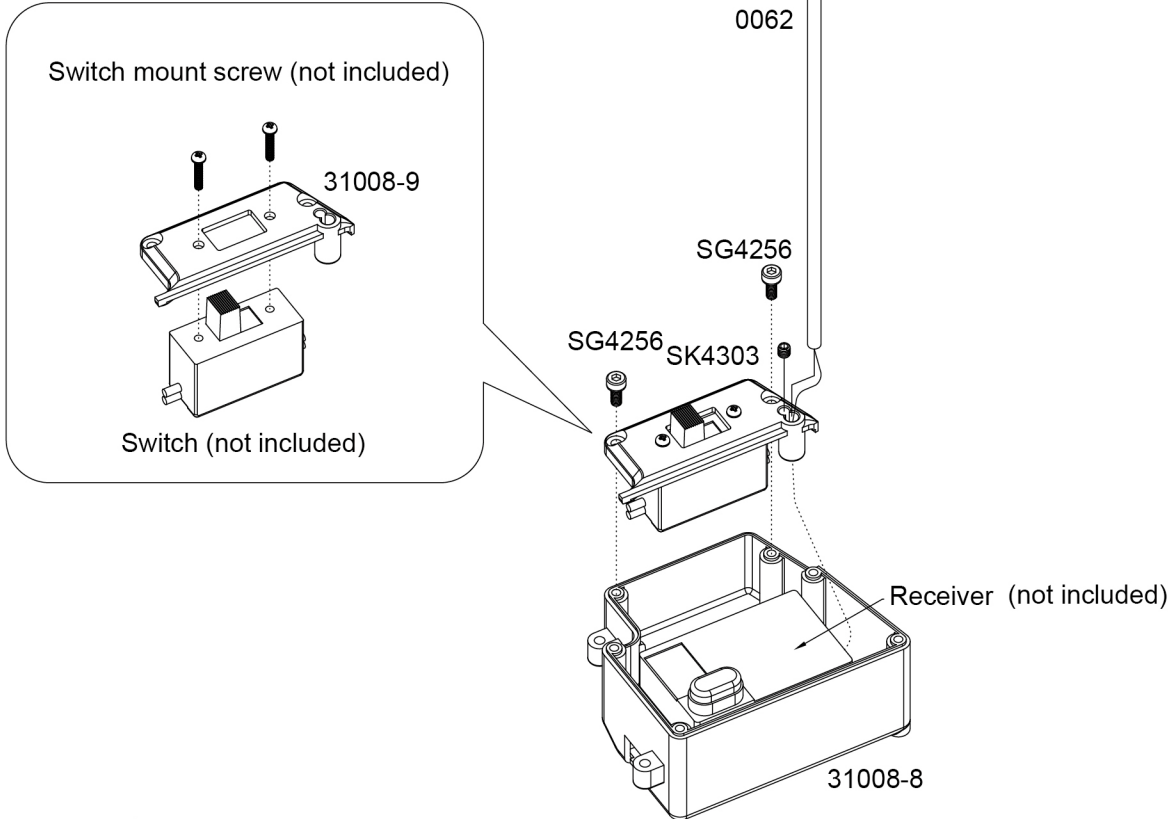
## STEP G - 2

### Center Diff Mount & Brake Assembly



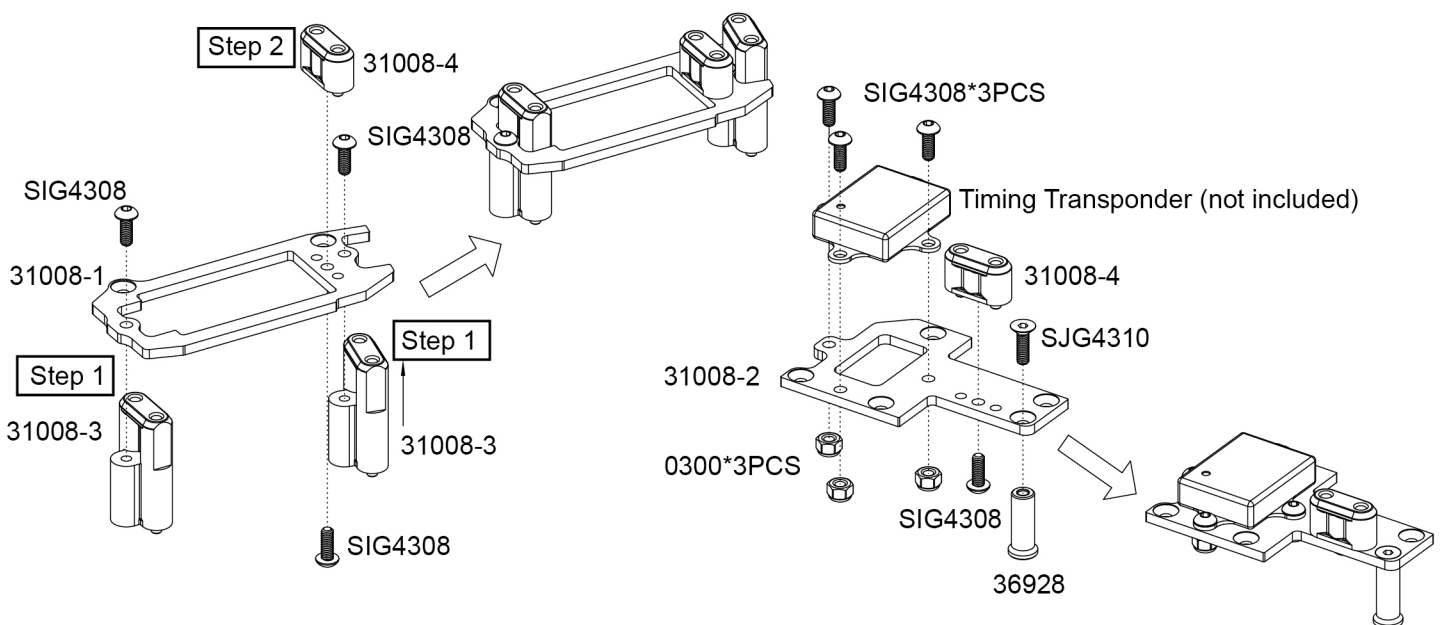
### STEP H-1

#### Receiver/Antenna/Switch Assembly



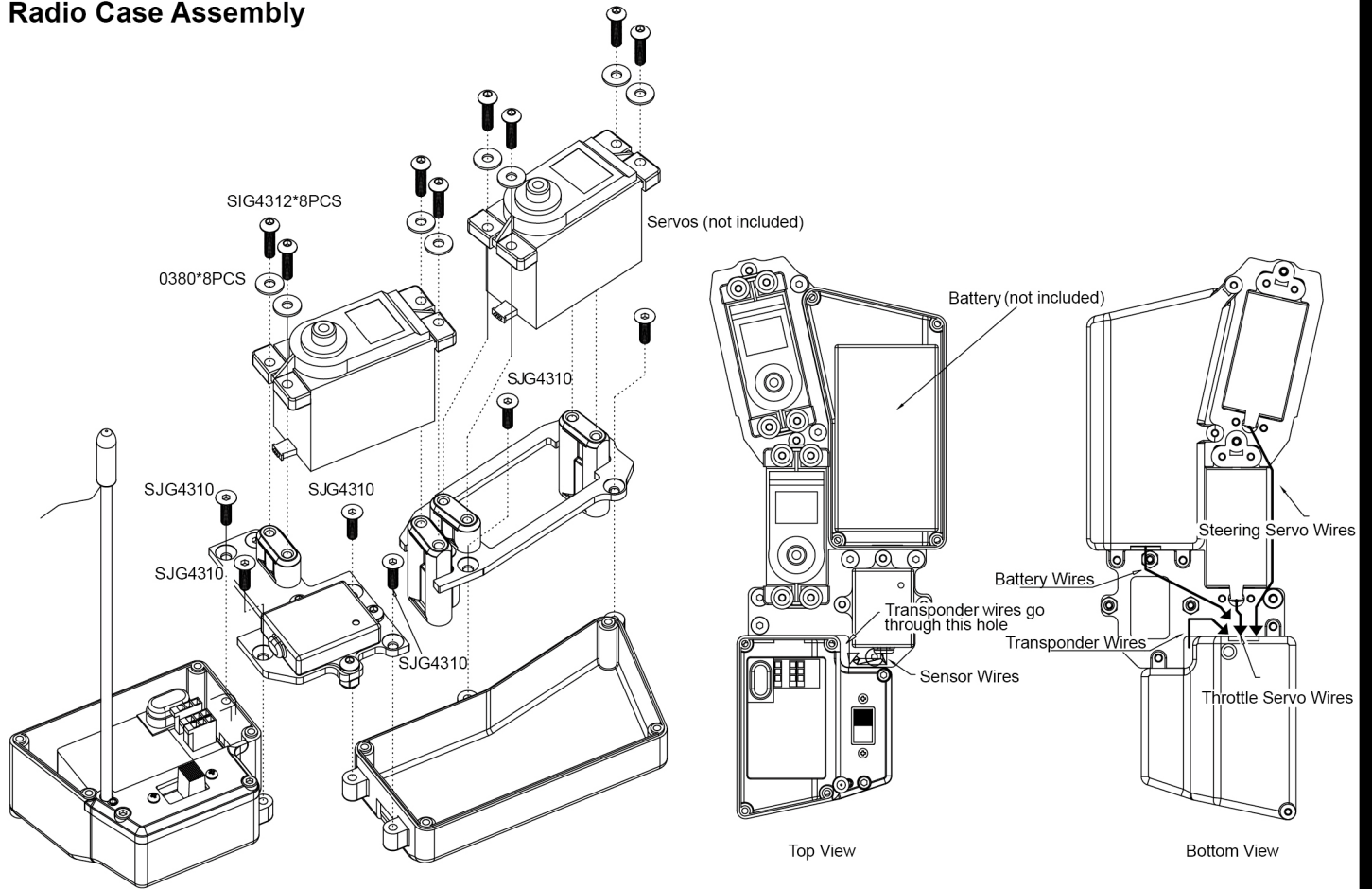
### STEP H-2

#### Servo/Transponder Mount Assembly



## STEP H - 3

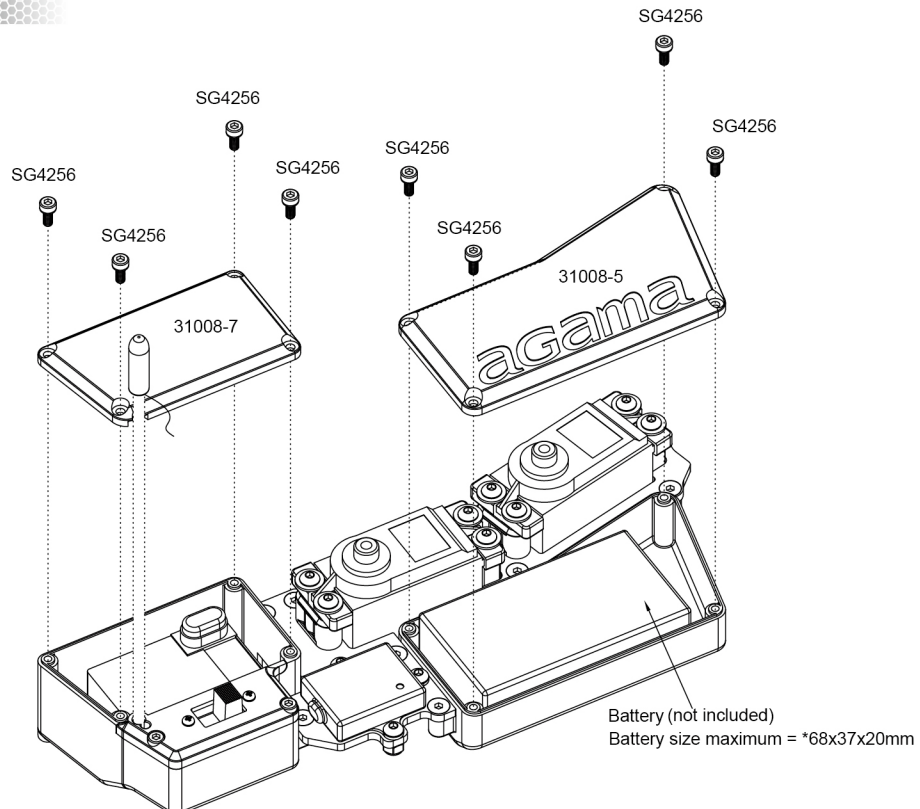
### Radio Case Assembly



### Switch & Servo Assembly (Cable Routing)

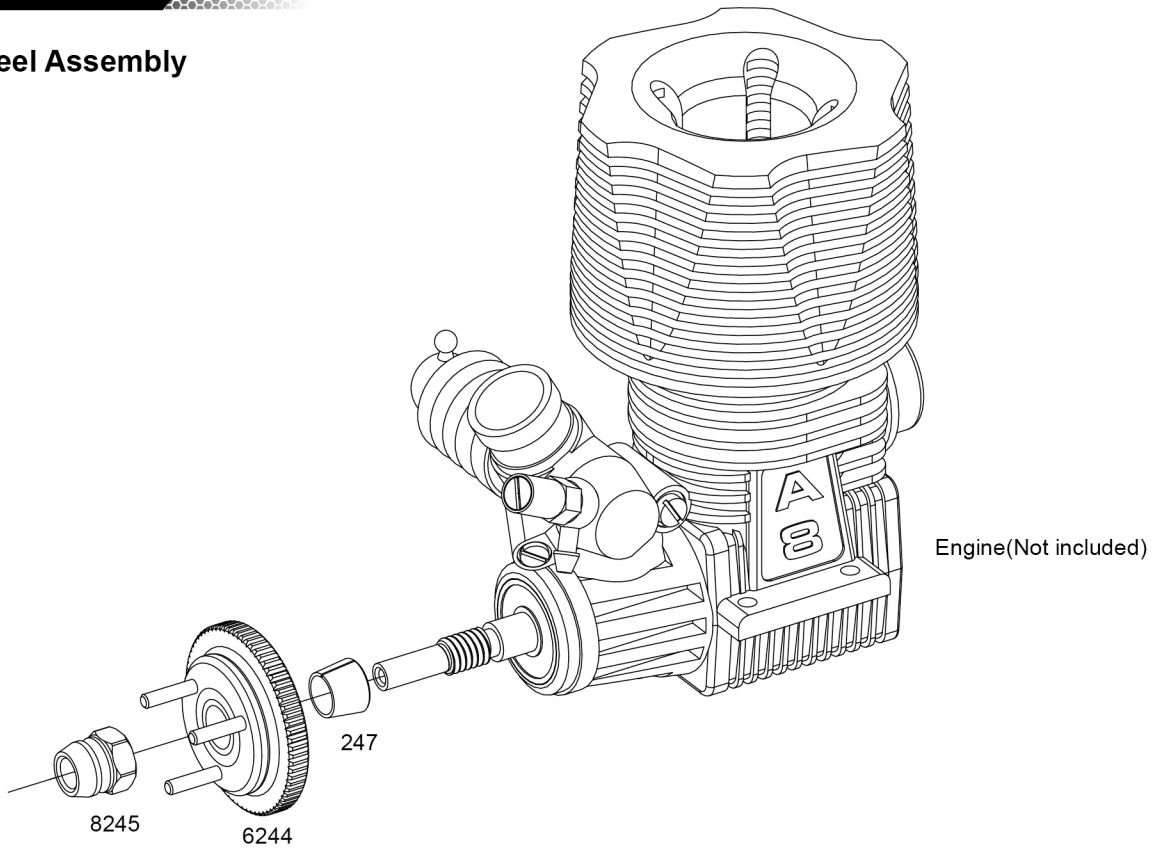
## STEP H - 4

### Radio Case Assembly



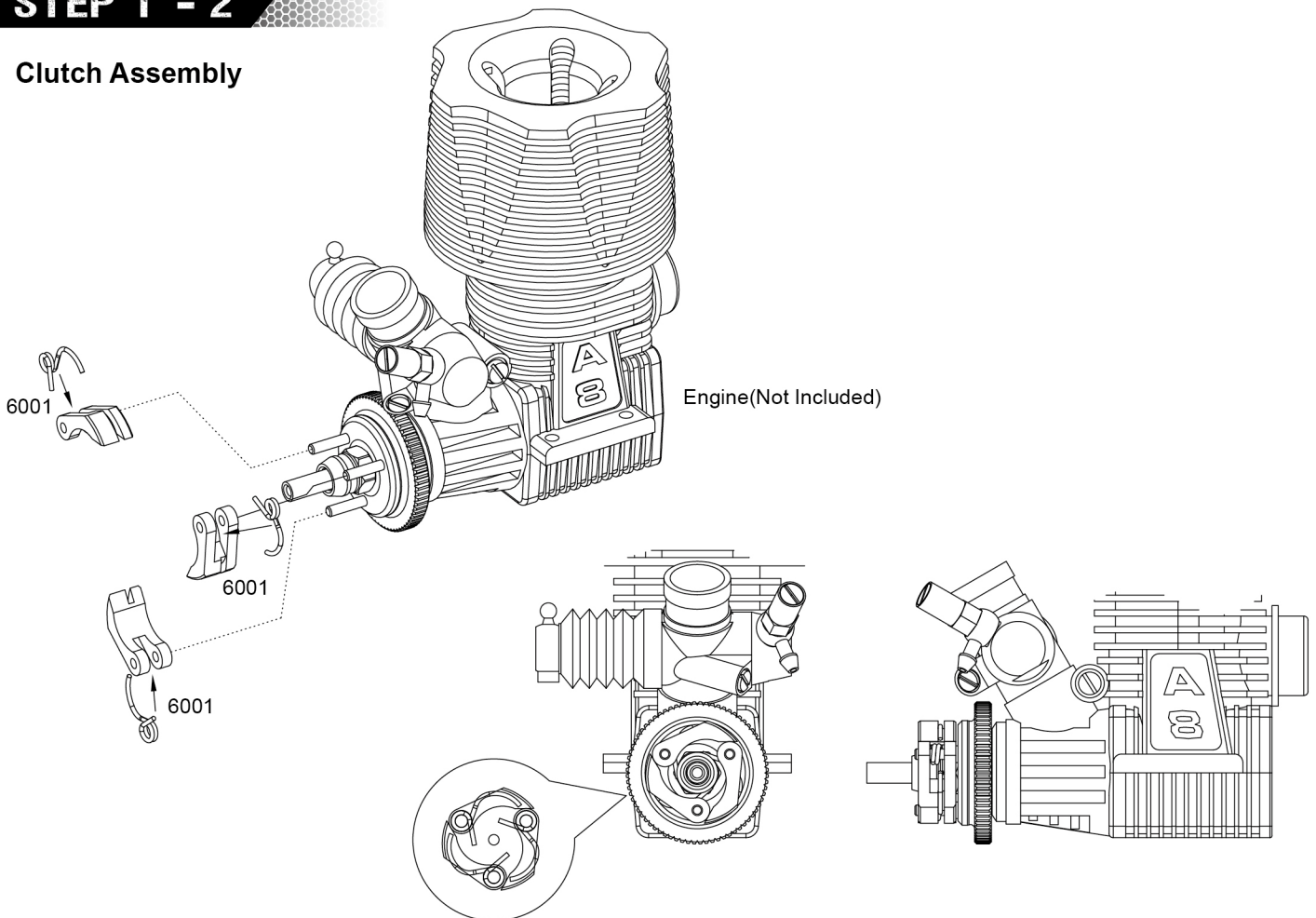
## STEP 1 - 1

### Flywheel Assembly



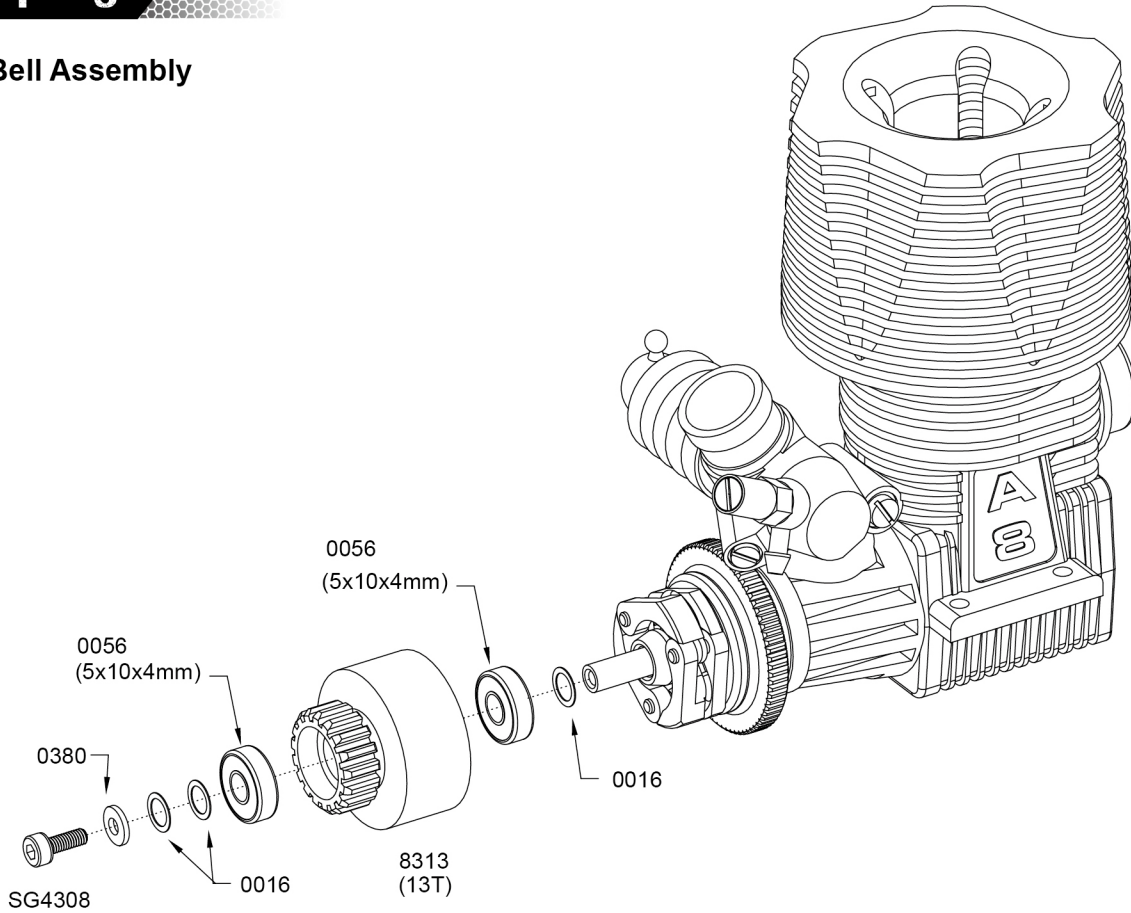
## STEP 1 - 2

### Clutch Assembly



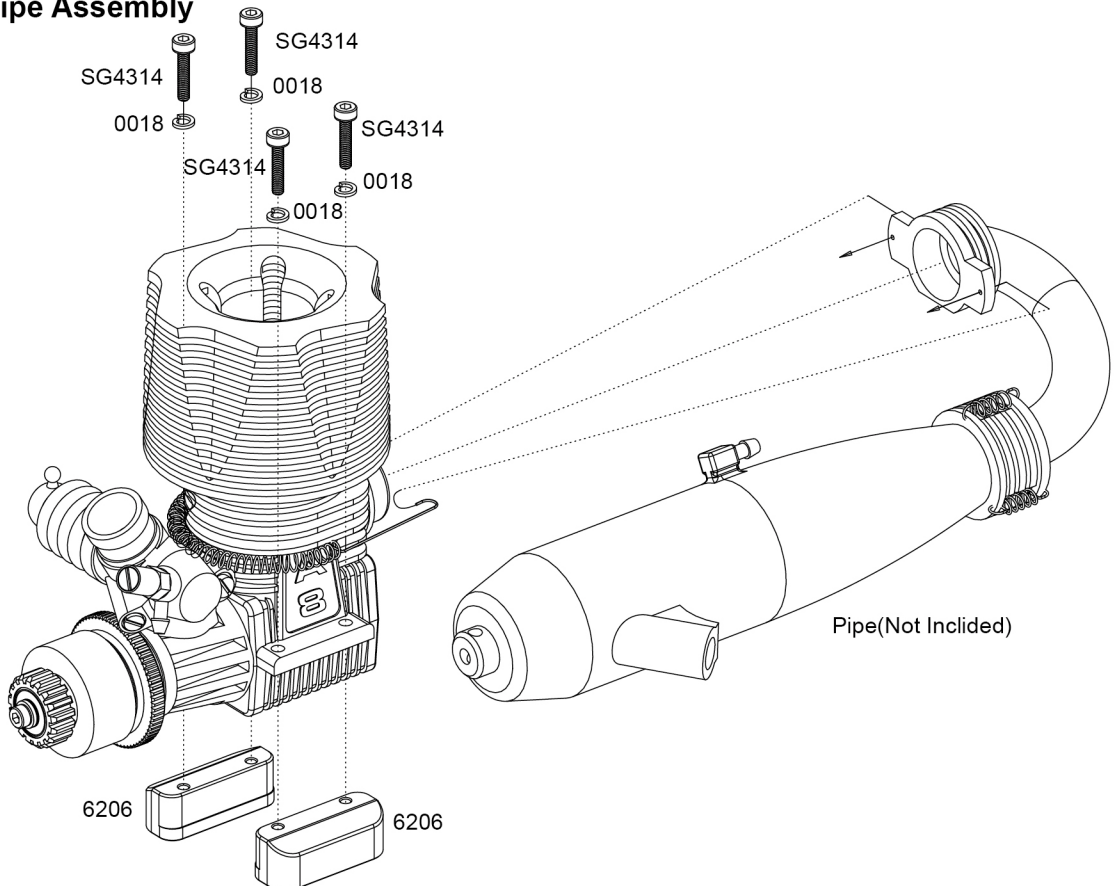
## STEP I - 3

### Clutch Bell Assembly



## STEP I - 4

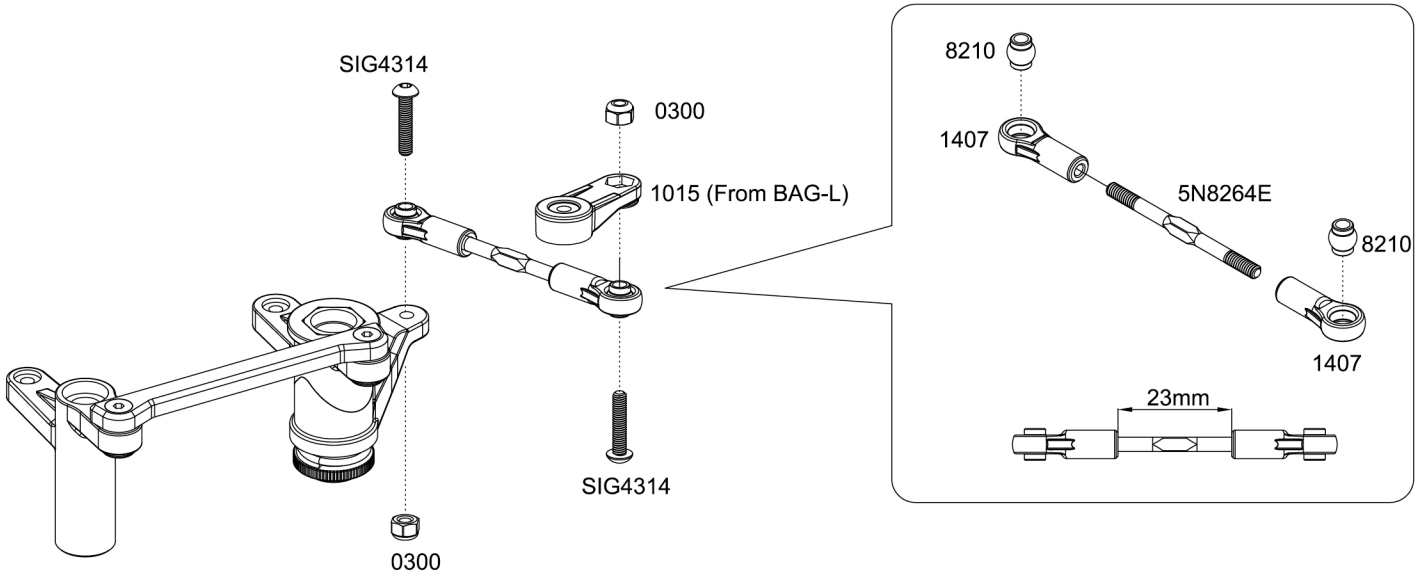
### Engine Mount & Pipe Assembly





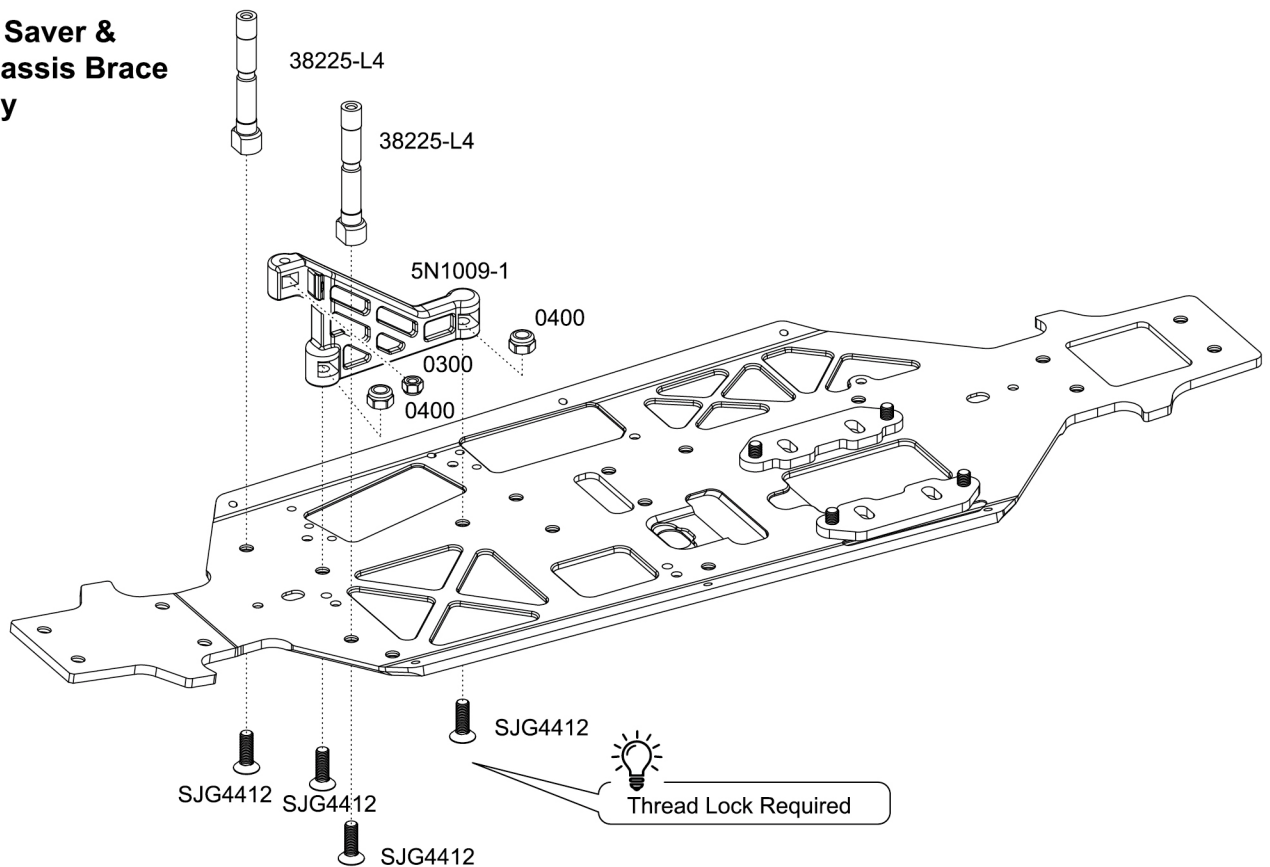
## STEP J-2

### Steering Servo Link Assembly



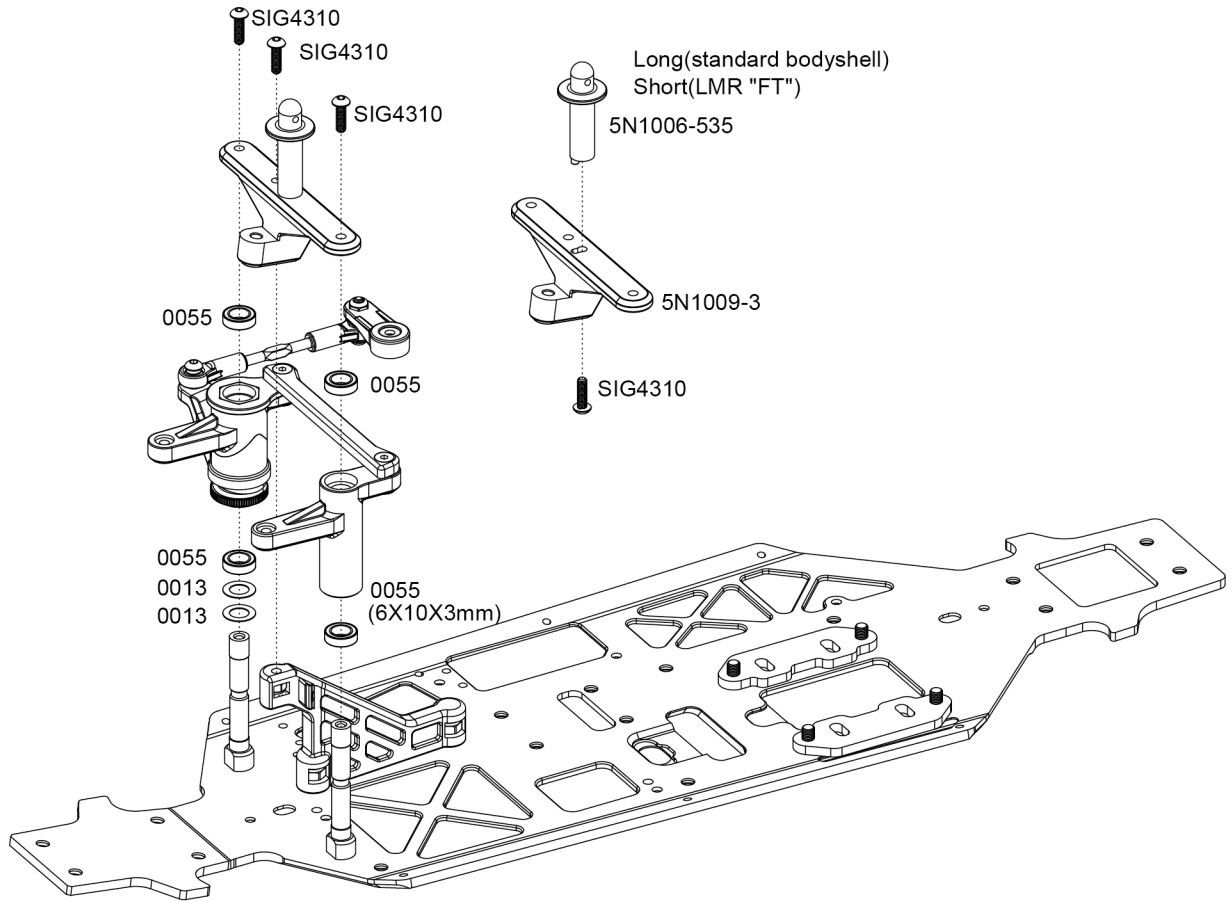
## STEP J-3

### Steering Saver & Front Chassis Brace Assembly



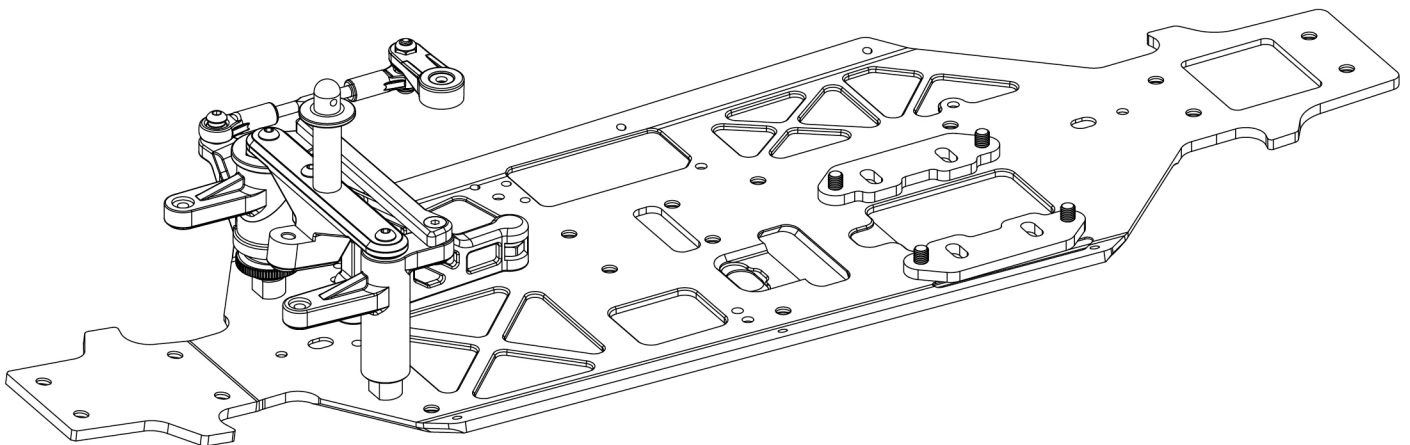
## STEP J-4

### Steering Saver & Front Chassis Brace Assembly



## STEP J-5

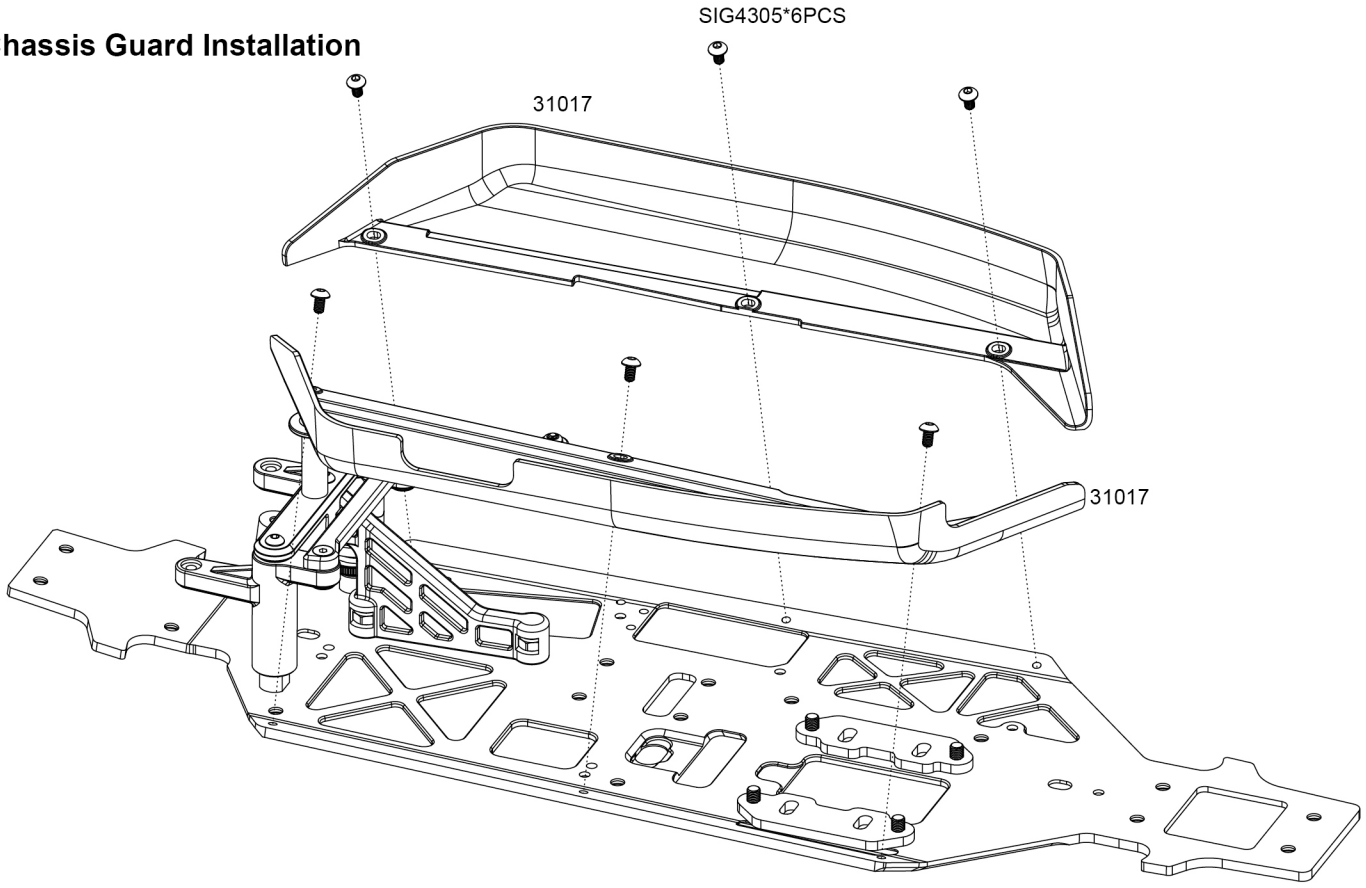
### Completed Steering Assembly





### STEP K-1

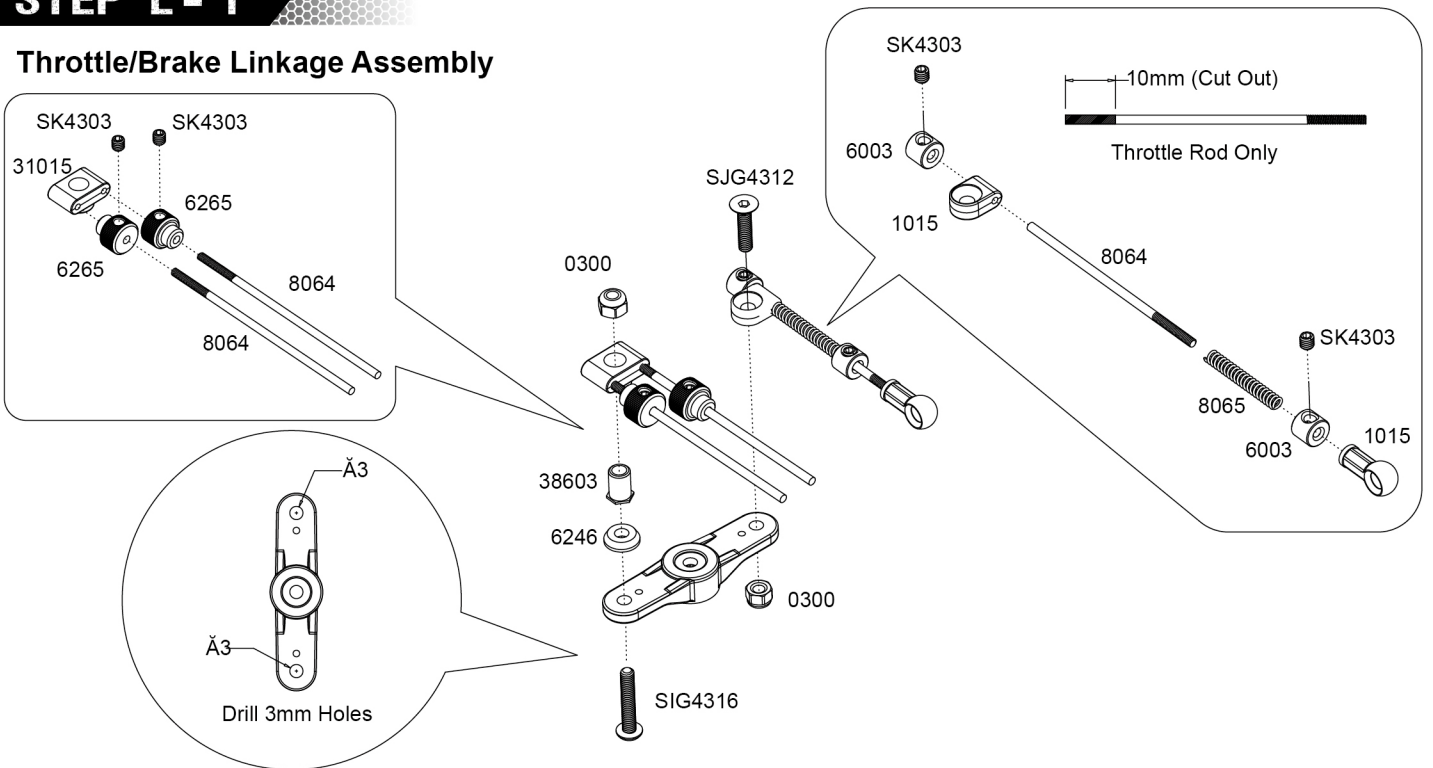
#### Chassis Guard Installation



# BAG L

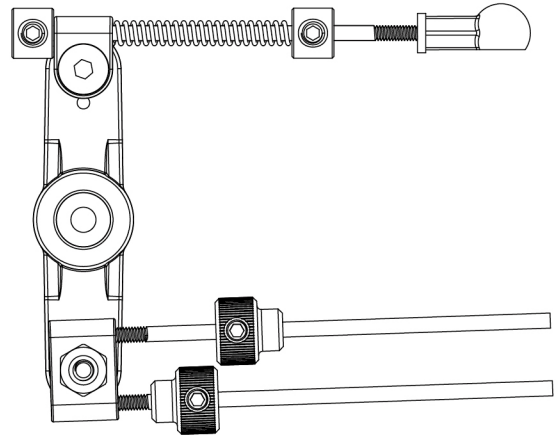
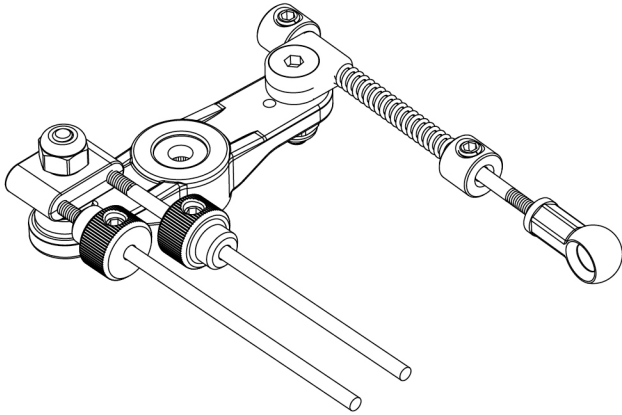
### STEP L-1

#### Throttle/Brake Linkage Assembly



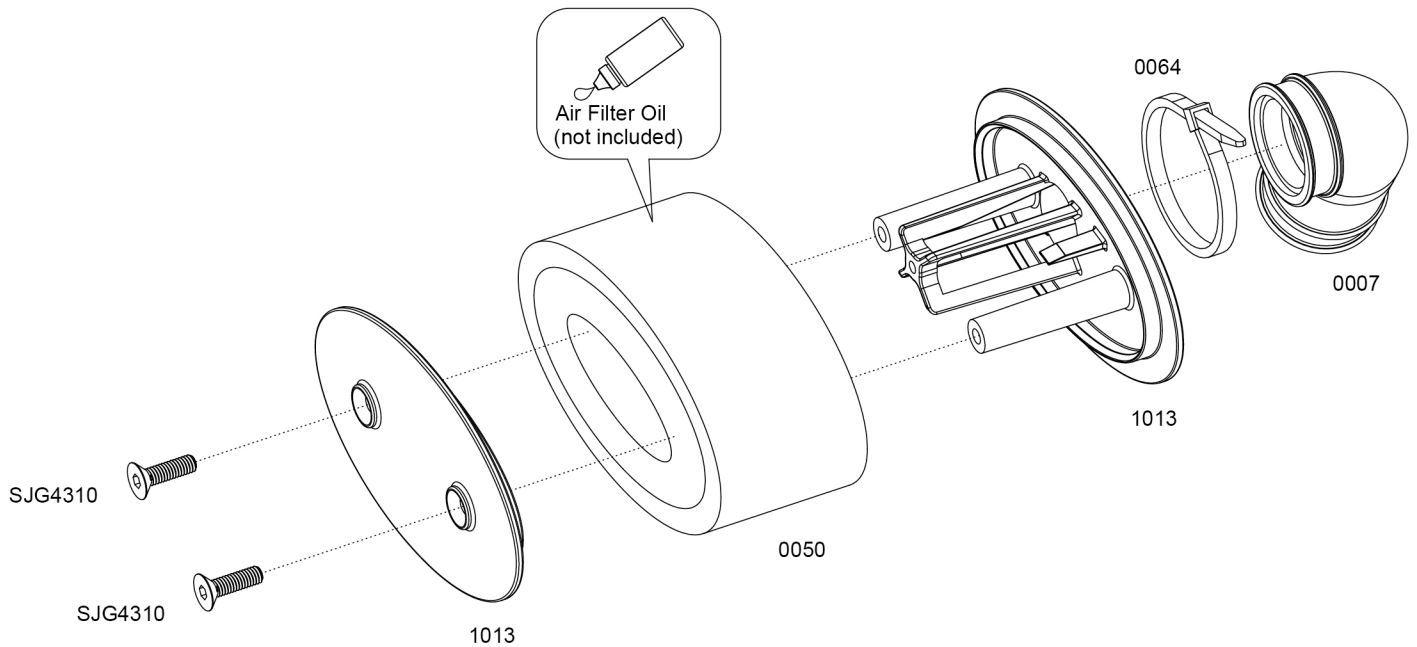
## STEP L-2

### Completed Throttle/Brake Linkage Assembly



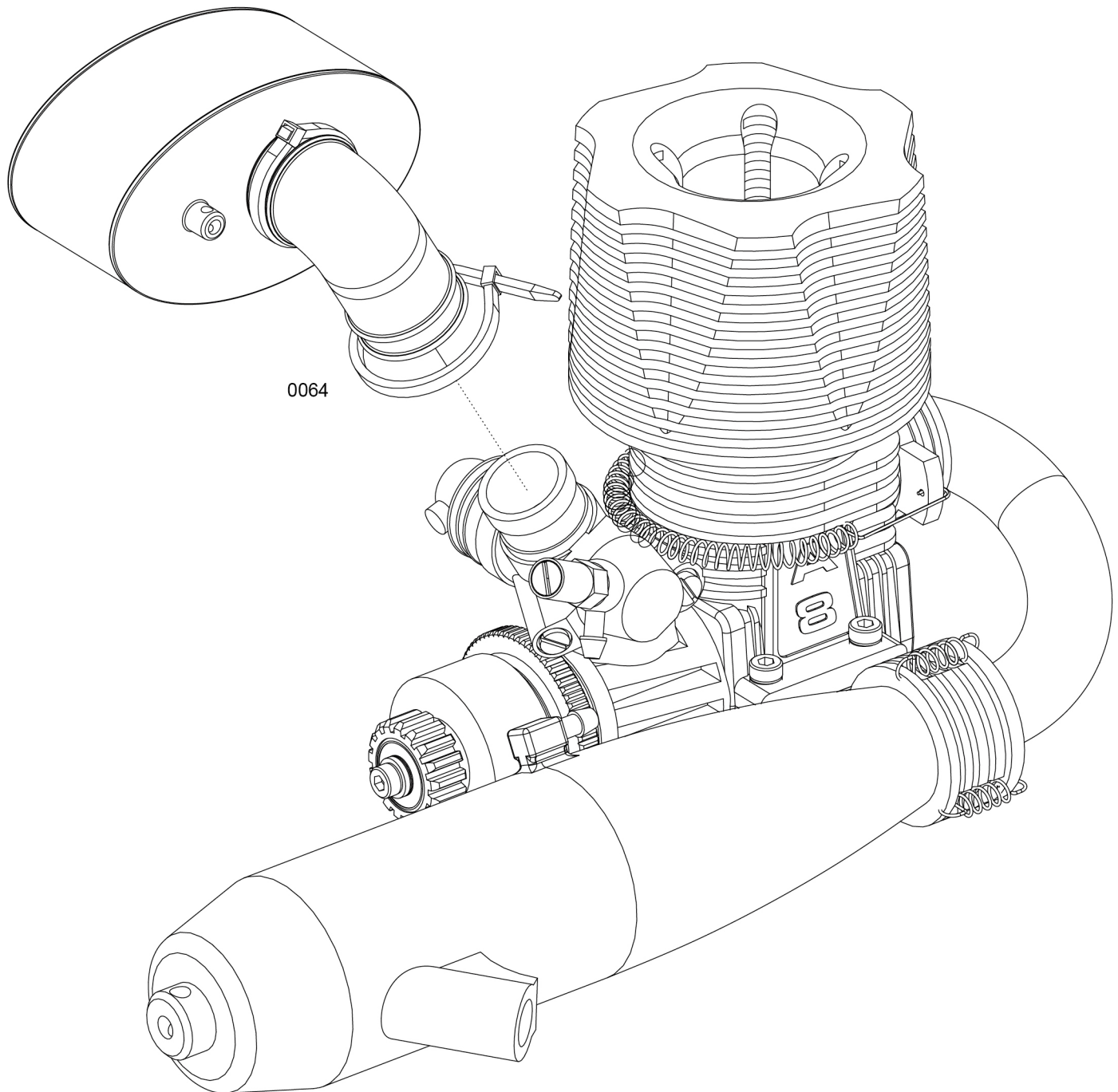
## STEP M-1

### Air Filter Assembly



## STEP M-2

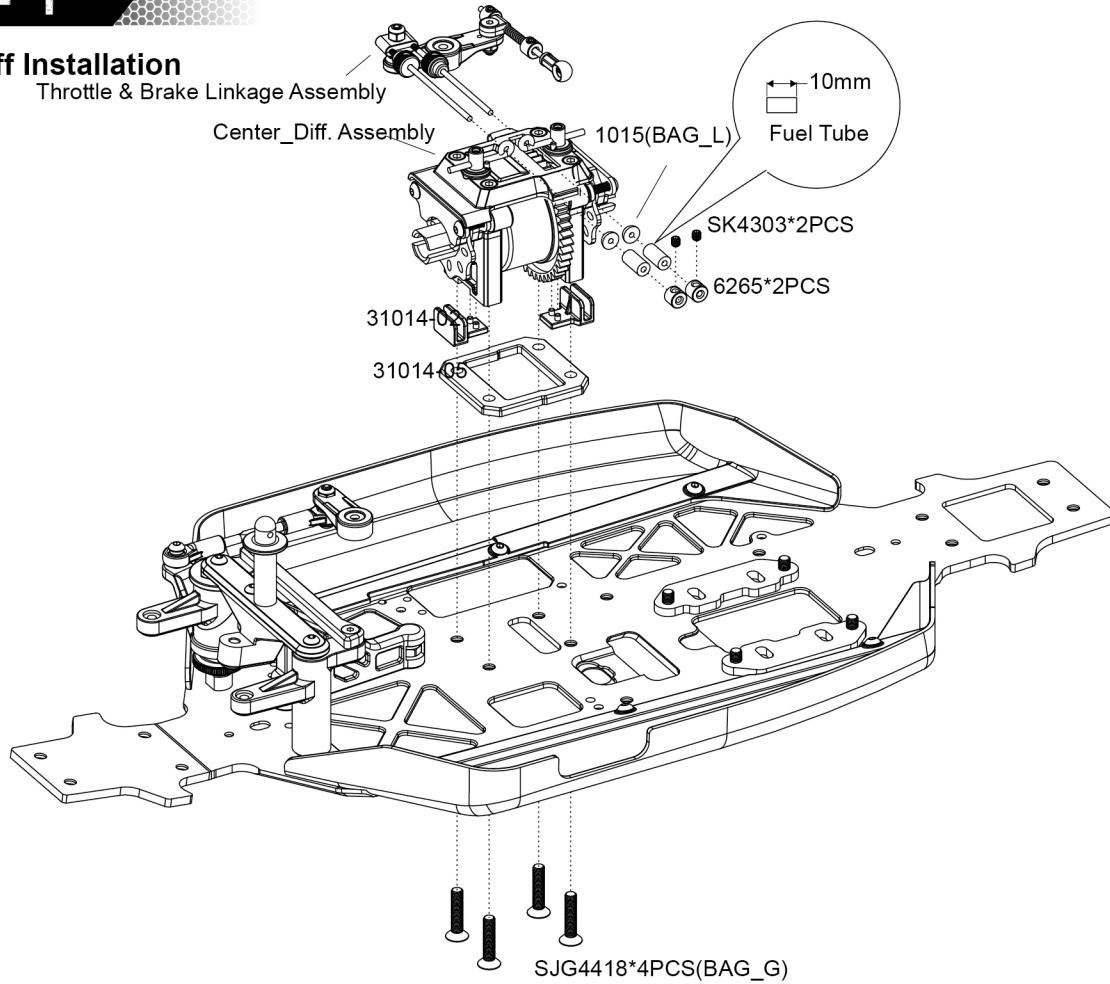
### Air Filter Assembly



### STEP - 1

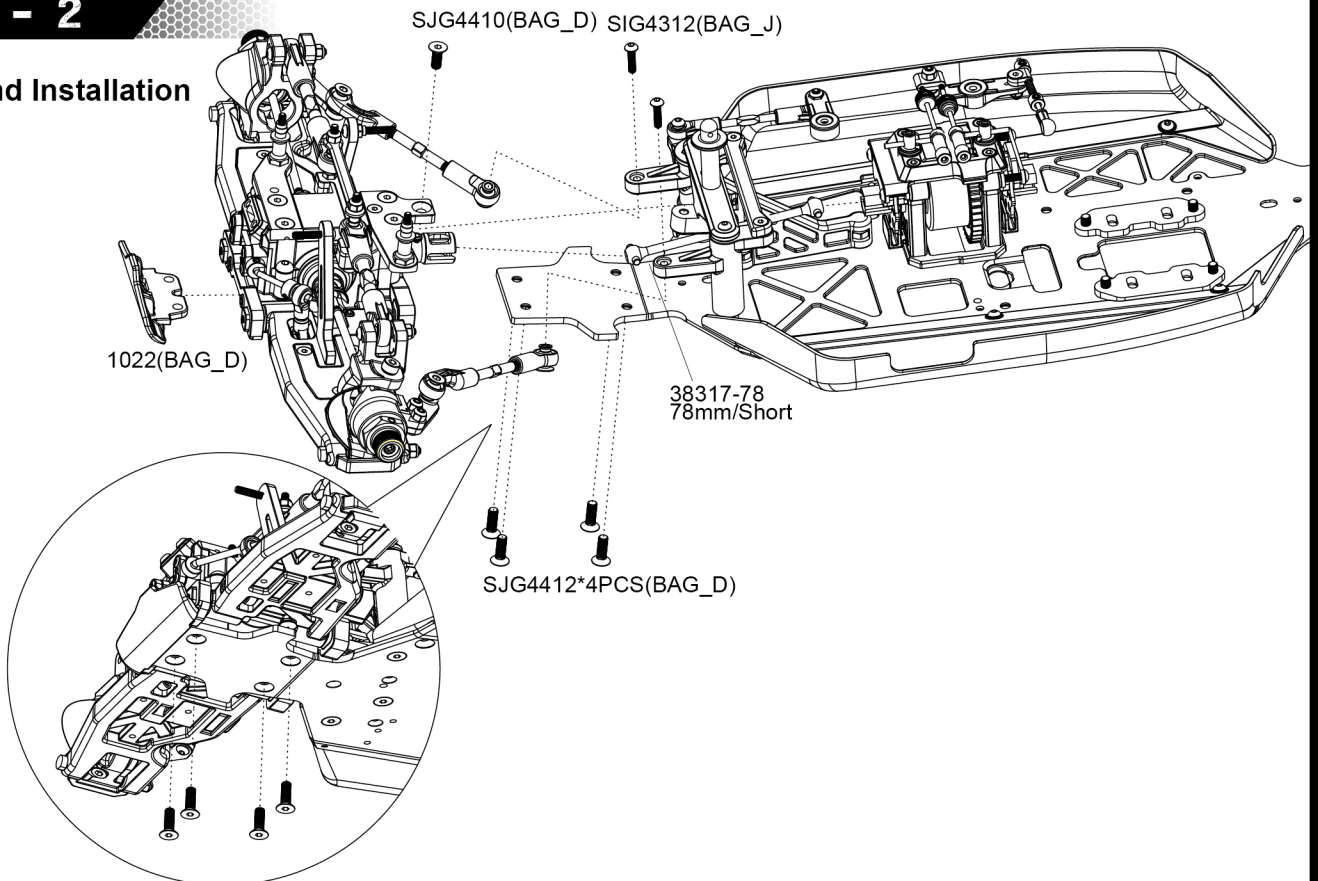
#### Center Diff Installation

Throttle & Brake Linkage Assembly



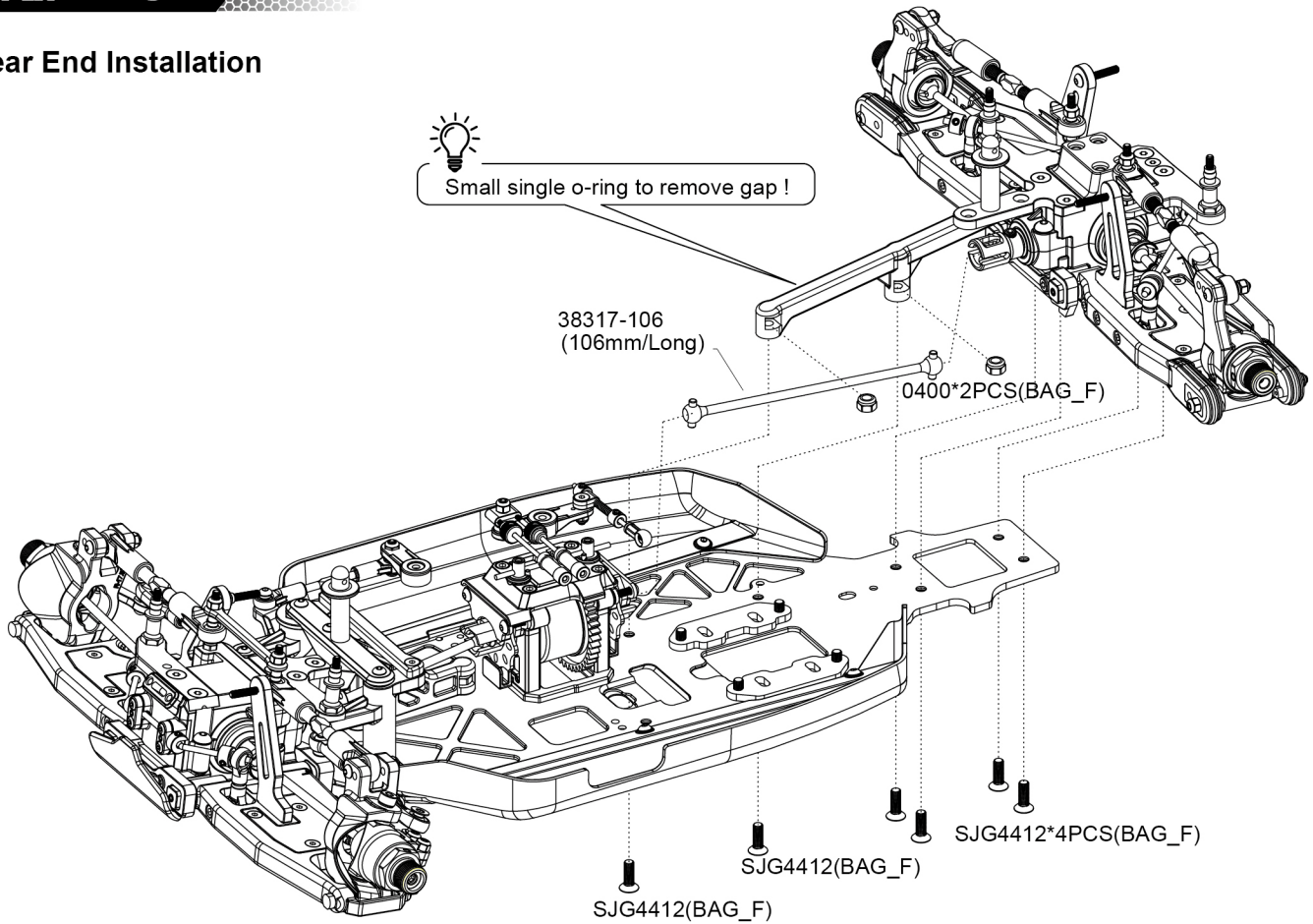
### STEP - 2

#### Front End Installation



### STEP - 3

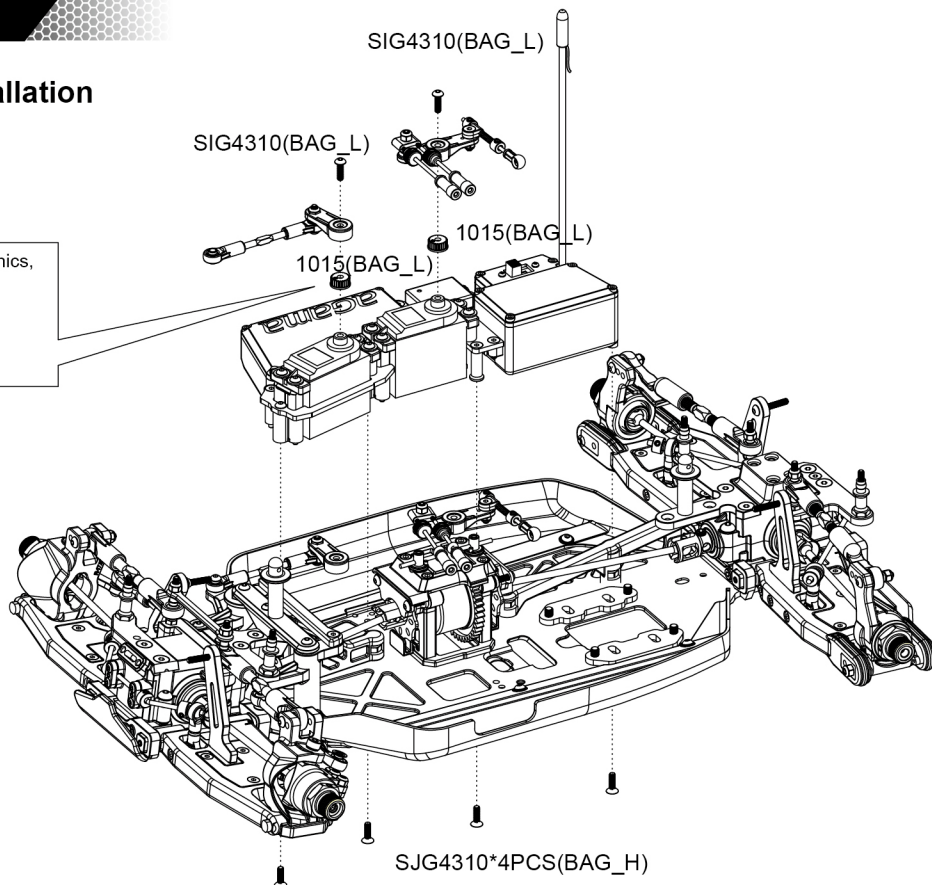
#### Rear End Installation



### STEP - 4

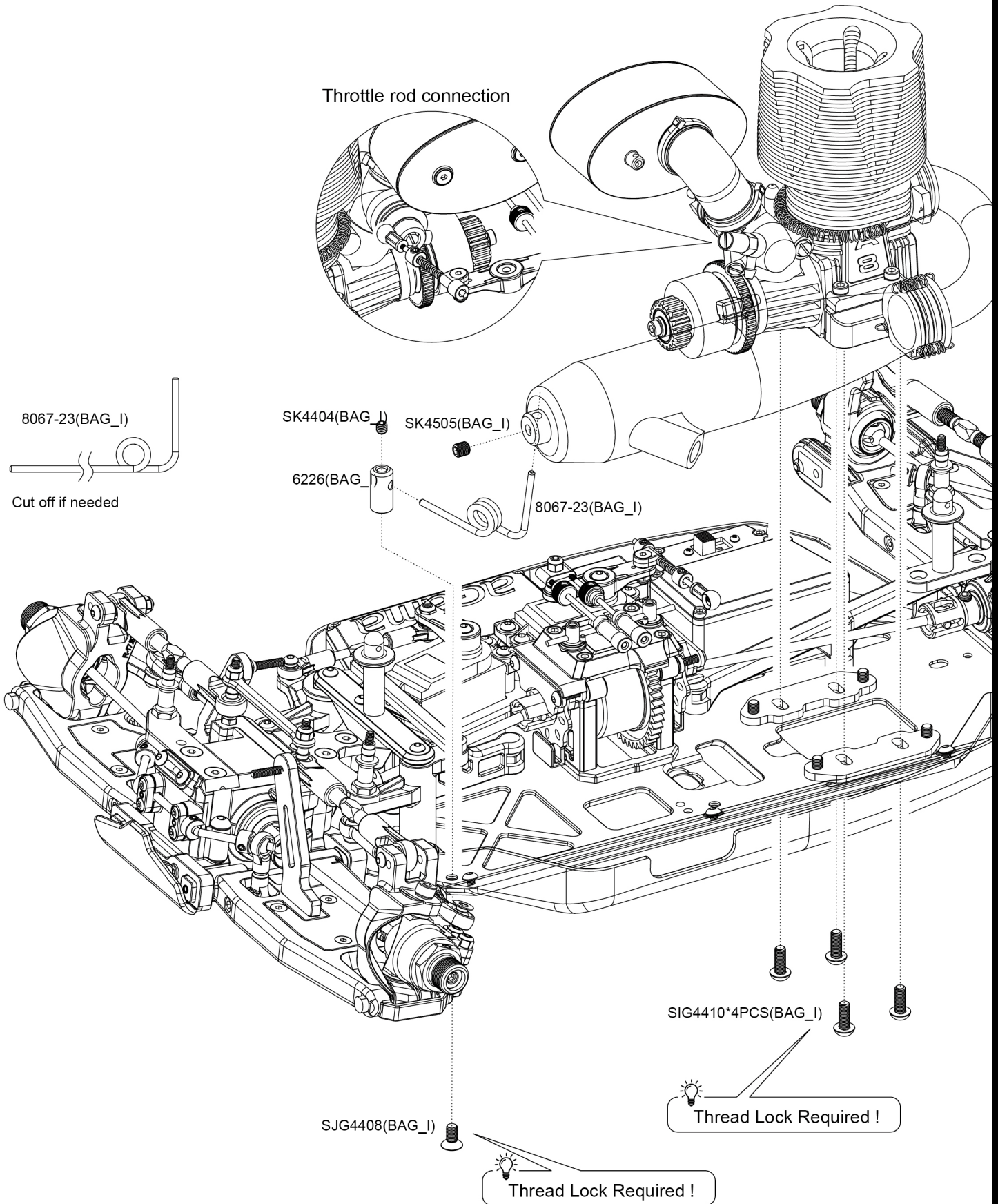
#### Radio Tray Installation

- 23T SANWA, Airtronics, JR, KO
- 24T Hitec
- 25T Futaba



### STEP - 5

#### Engine Set Installation



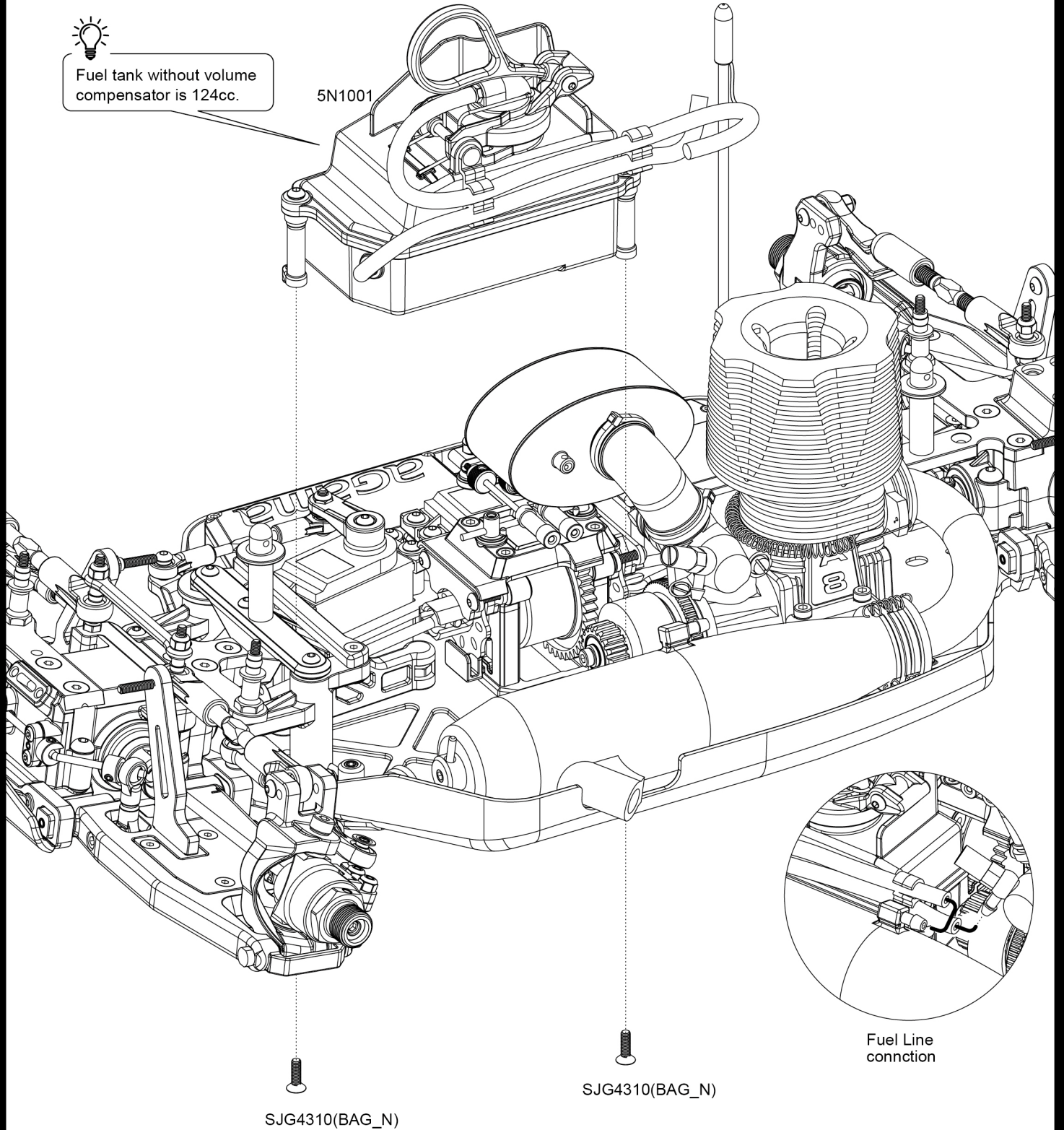
### STEP - 6

#### Fuel Tank Installation



Fuel tank without volume compensator is 124cc.

5N1001



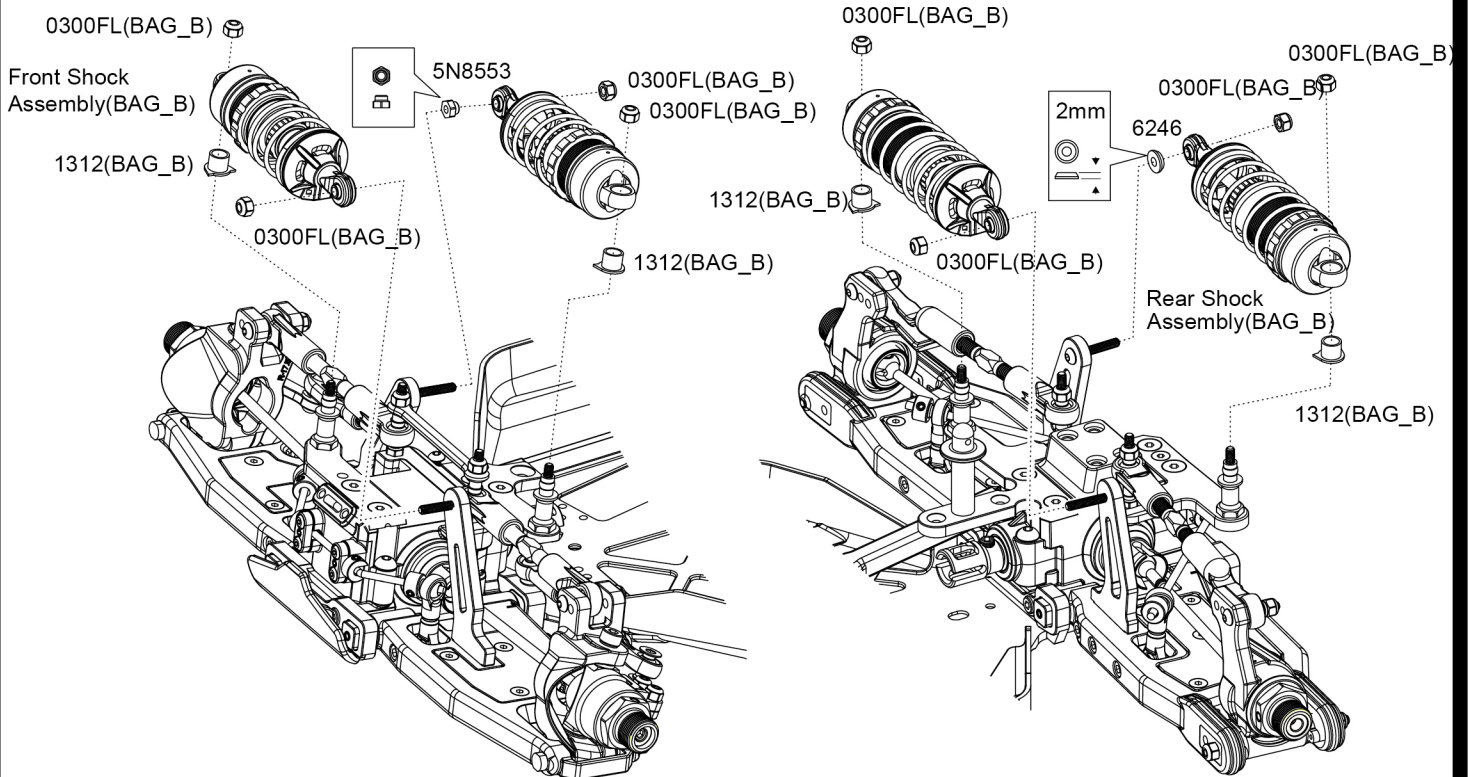
SJG4310(BAG\_N)

SJG4310(BAG\_N)

Fuel Line  
connction

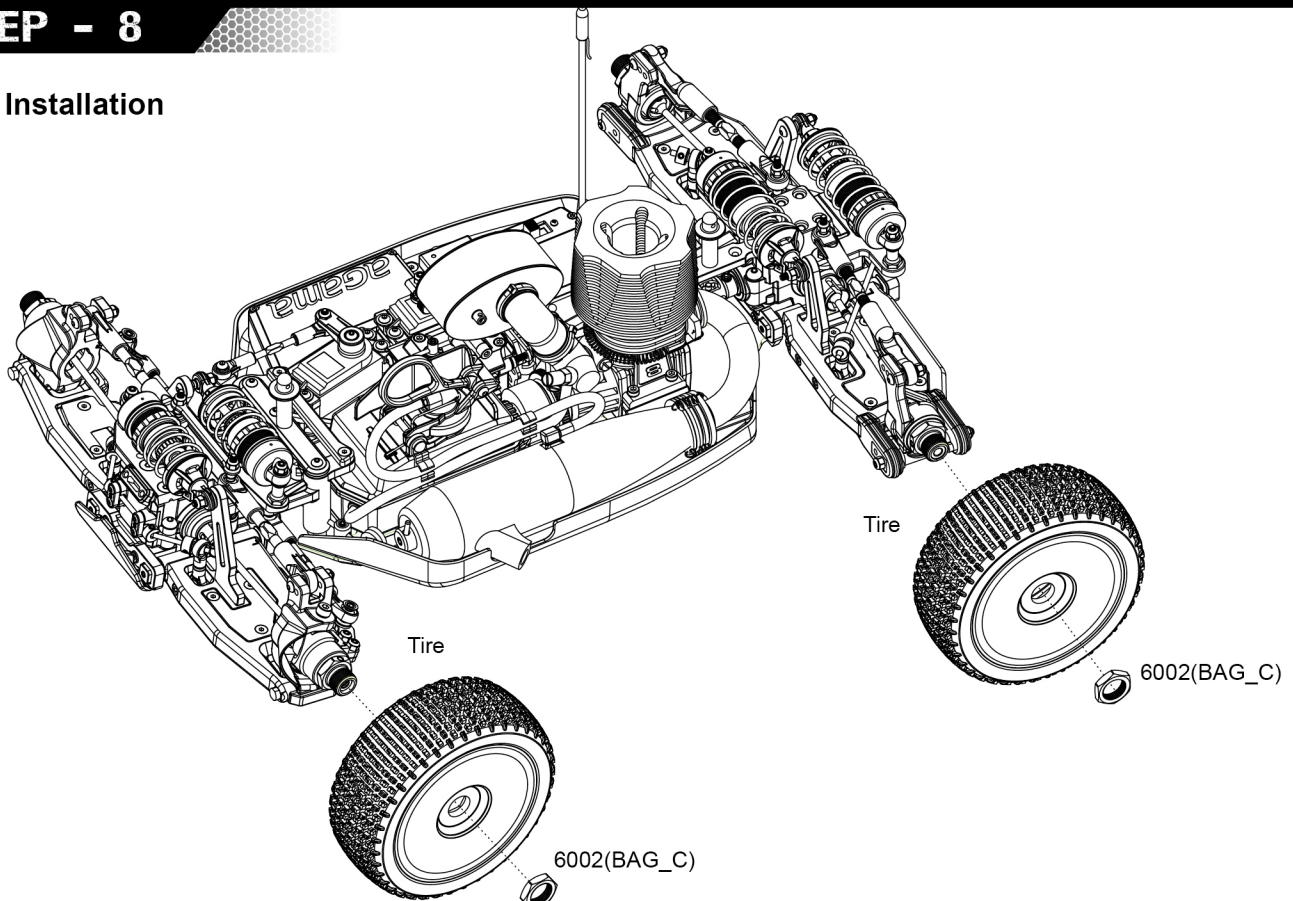
### STEP - 7

#### Front/Rear Shocks Installation



### STEP - 8

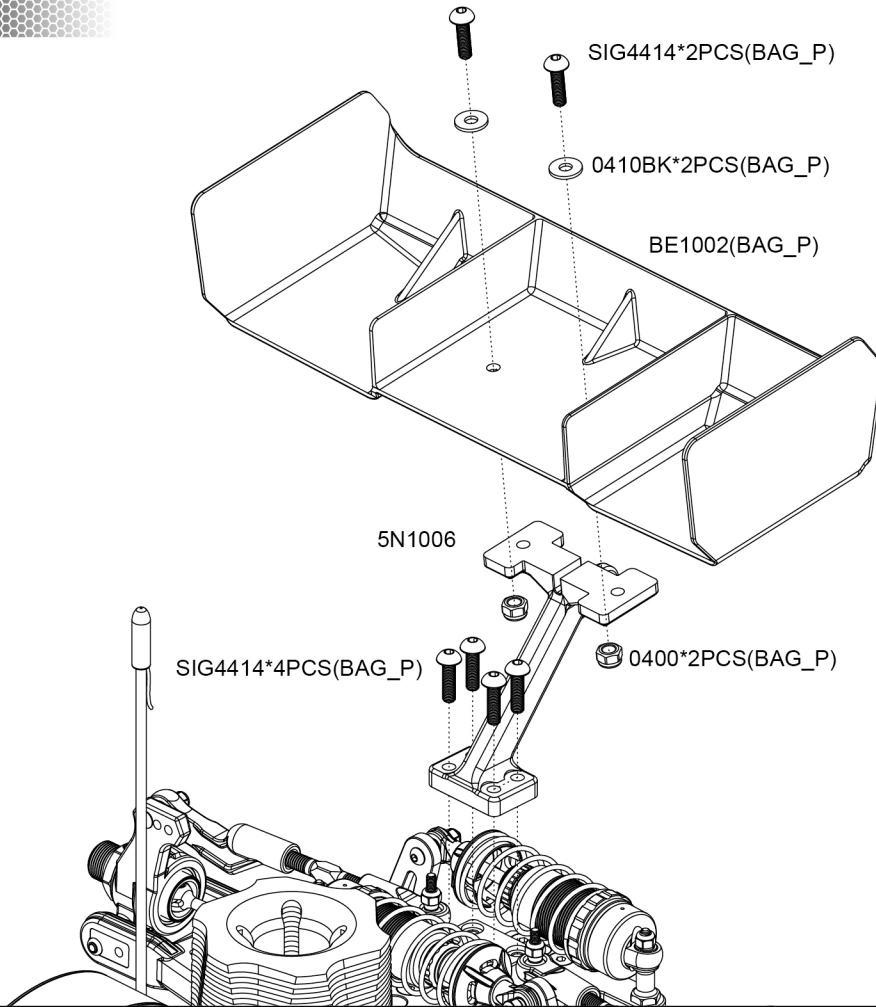
#### Tire Installation





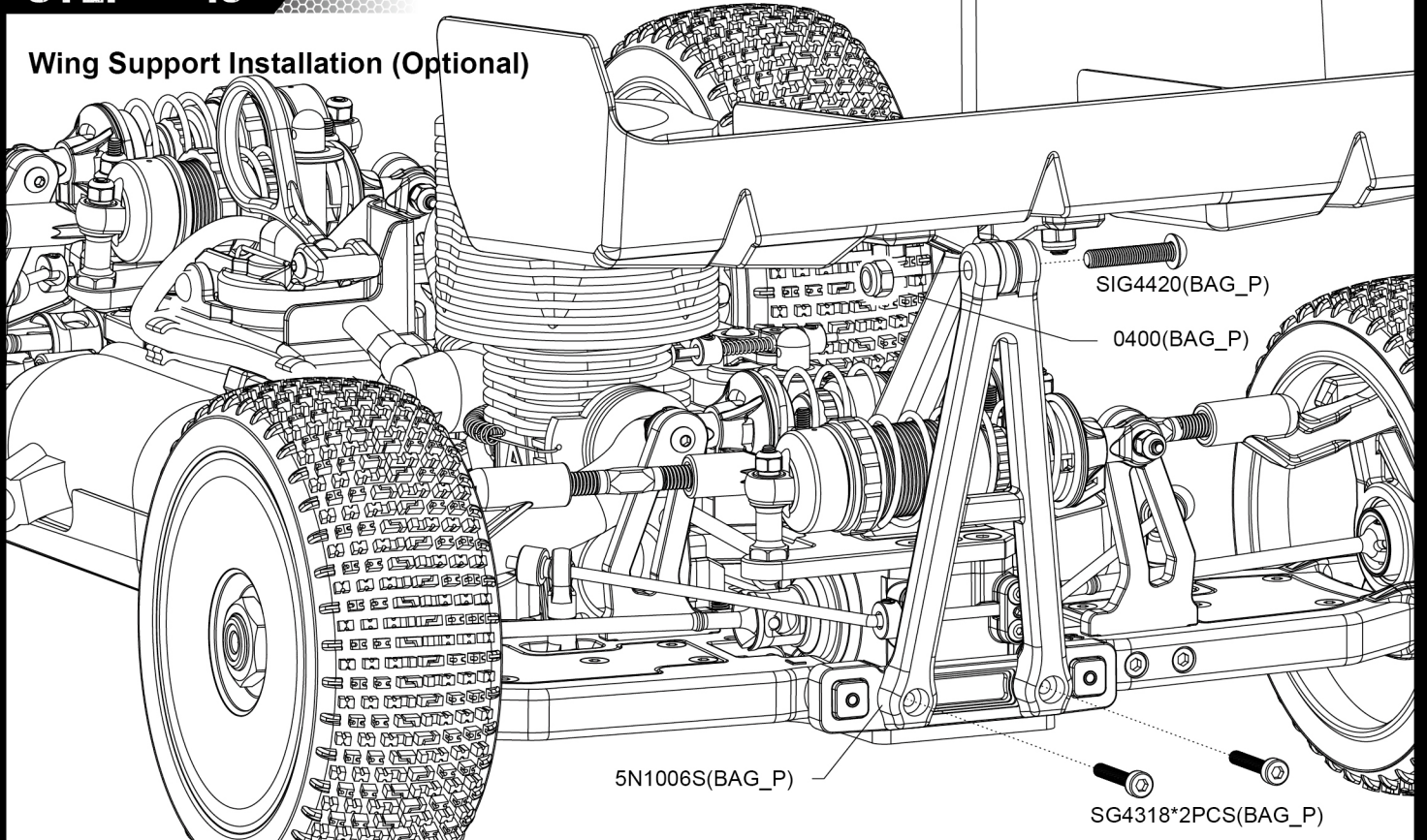
### STEP - 9

#### Wing Installation



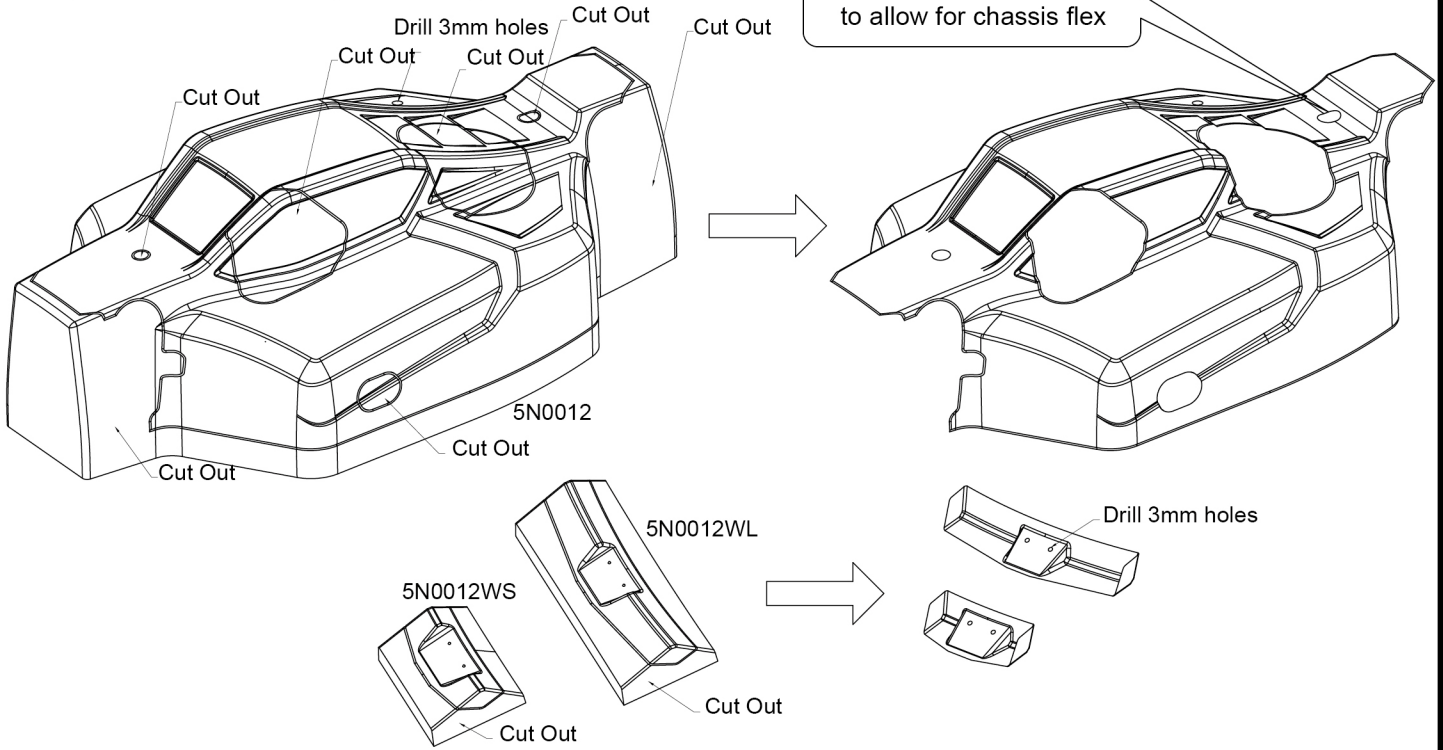
### STEP - 10

#### Wing Support Installation (Optional)



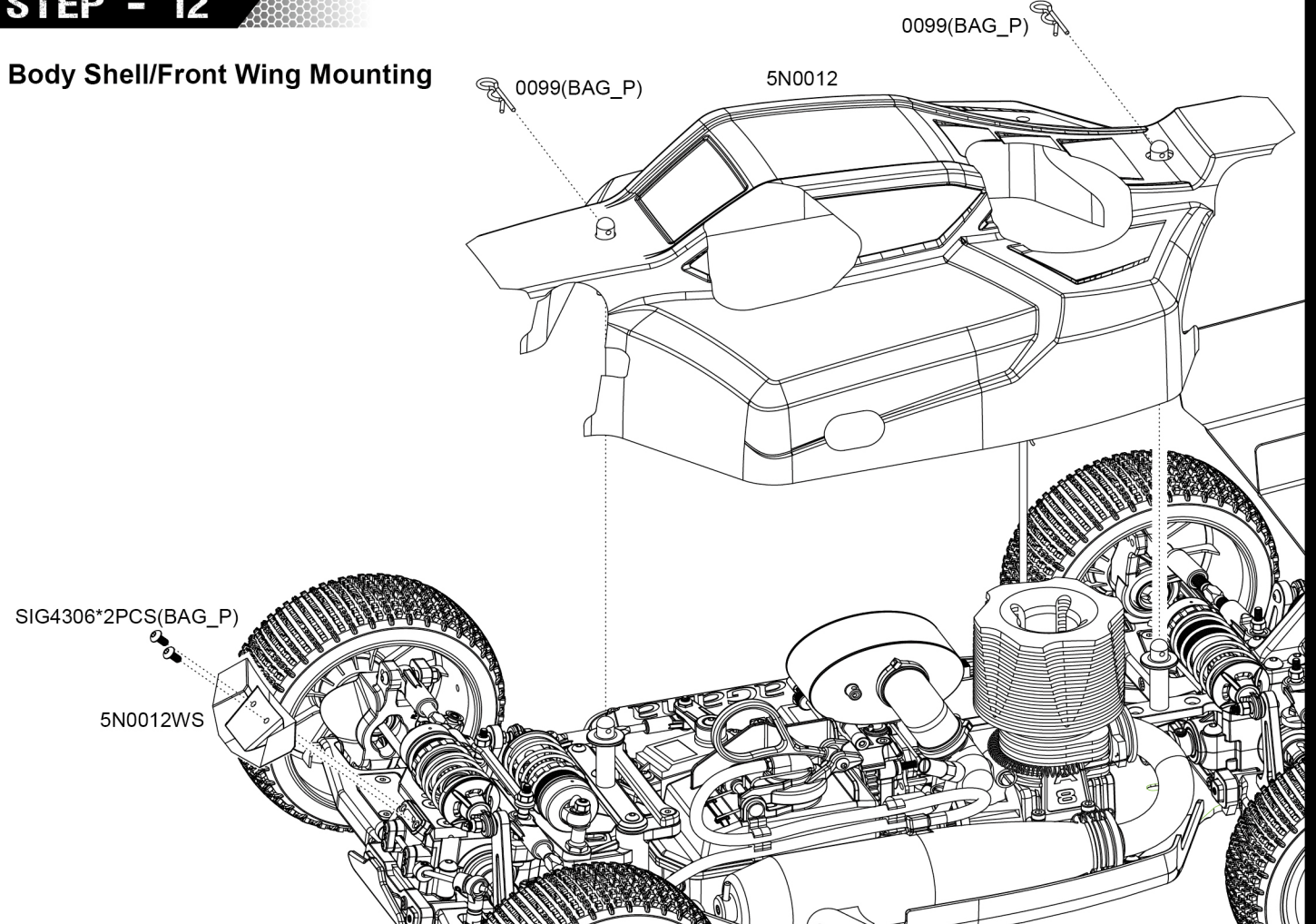
### STEP - 11

#### Body Shell/Front Wing Trimming



### STEP - 12

#### Body Shell/Front Wing Mounting





**TRACK CONDITIONS**     Indoor     Tight     Smooth     Hard Packed     Blue Groove

Wet     Low Bite     High Bite     Outdoor     Open     Rough     Loose/Loamy

Dry     Dusty     Med Bite     Other \_\_\_\_\_

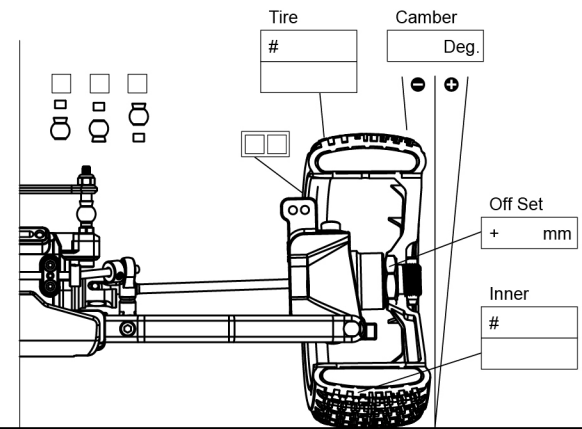
**ENGINE**    Gasket \_\_\_\_\_ mm    Plug \_\_\_\_\_    Muffler \_\_\_\_\_    Fuel \_\_\_\_\_

Clutch bell     13T     14T    Shoes     3     4    Spring \_\_\_\_\_ mm

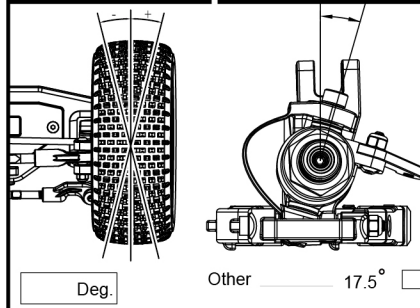
**DIFF**    Front    Oil # \_\_\_\_\_    Center    Oil # \_\_\_\_\_    Rear    Oil # \_\_\_\_\_

\_\_\_\_\_ T x \_\_\_\_\_ T    Spur gear \_\_\_\_\_ T    \_\_\_\_\_ T x \_\_\_\_\_ T

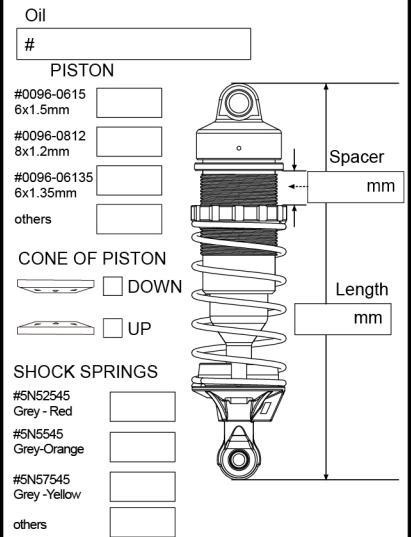
**FRONT SUSPENSION**



**FRONT TOE ANGLE | CASTER ANGLE**



**FRONT SHOCK**



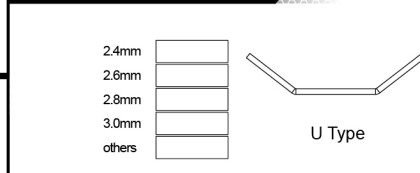
**KICK UP**

**TOE ANGLE**



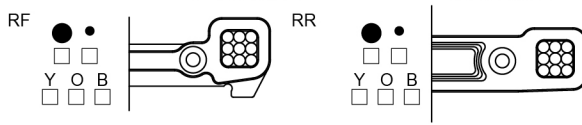
**ANTI ROLL BAR**

FRONT

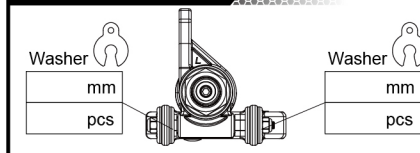


**ANTI SQUAT**

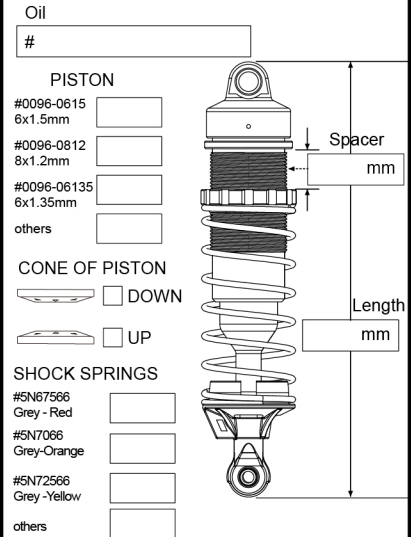
**TOE ANGLE**



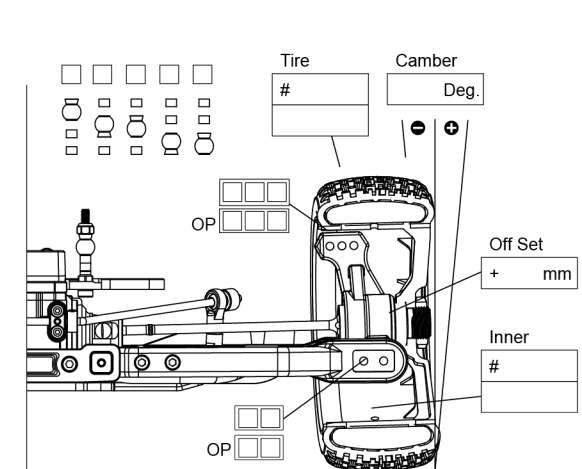
**WHEEL BASE**



**REAR SHOCK**

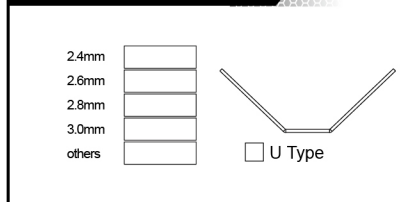


**REAR SUSPENSION**

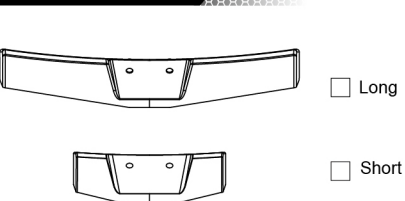


**ANTI ROLL BAR**

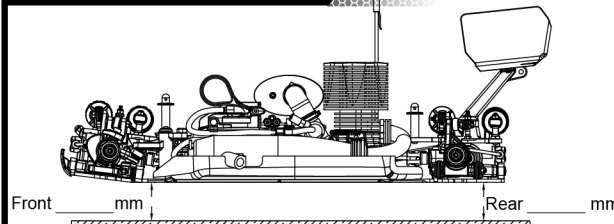
REAR



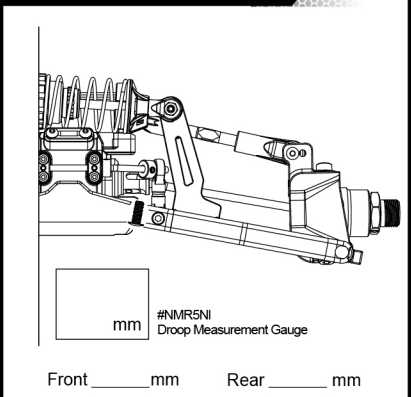
**ACKERMAN**



**RIDE HEIGHT**



**DROOP LIMITER**



**TRACK CONDITIONS**  Indoor  Tight  Smooth  Hard Packed  Blue Groove

Wet  Low Bite  High Bite  Outdoor  Open  Rough  Loose/Loamy

Dry  Dusty  Med Bite  Other

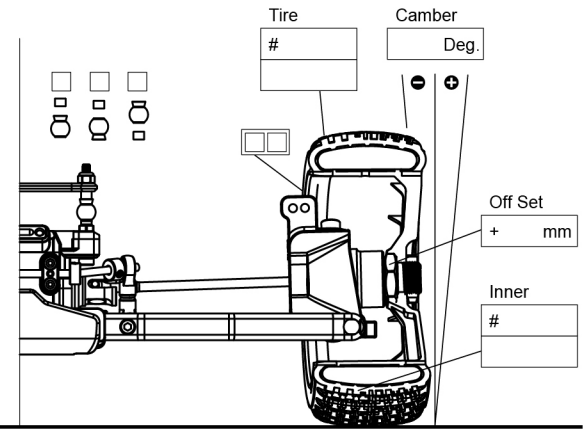
**ENGINE** Gasket mm Plug Muffler Fuel

Clutch bell  13T  14T Shoes  3  4 Spring mm

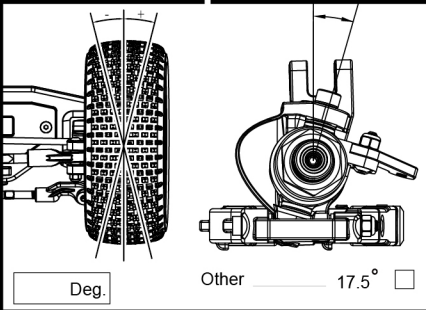
**DIFF** Front Oil # Center Oil # Rear Oil #

T x T Spur gear T T x T

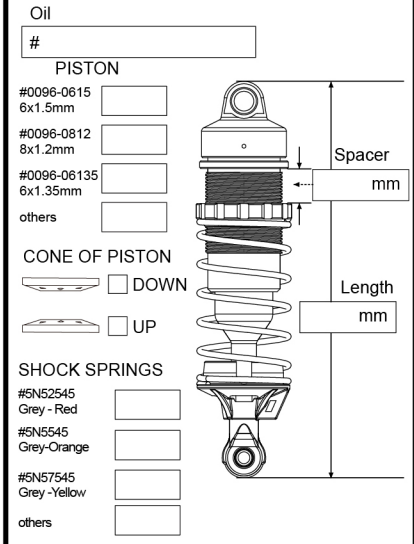
**FRONT SUSPENSION**



**FRONT TOE ANGLE | CASTER ANGLE**



**FRONT SHOCK**

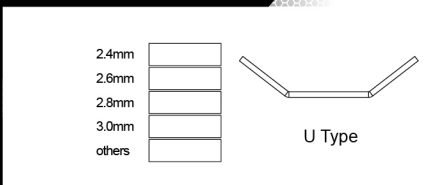


**KICK UP**

**TOE ANGLE**

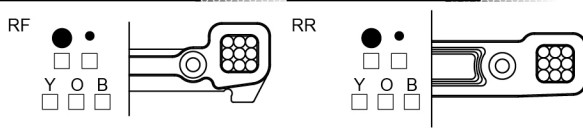


**ANTI ROLL BAR FRONT**

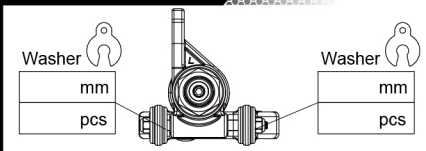


**ANTI SQUAT**

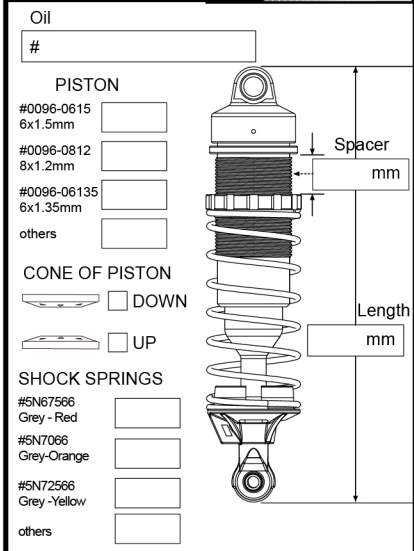
**TOE ANGLE**



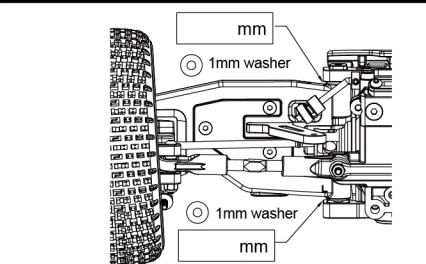
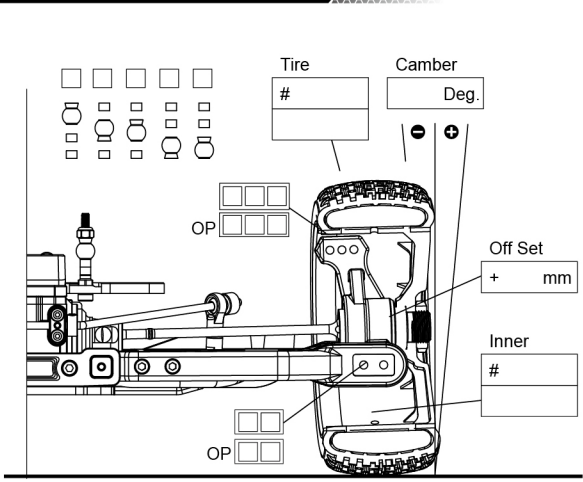
**WHEEL BASE**



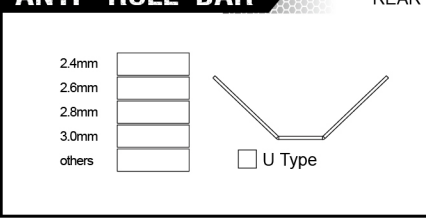
**REAR SHOCK**



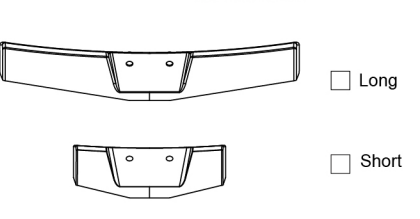
**REAR SUSPENSION**



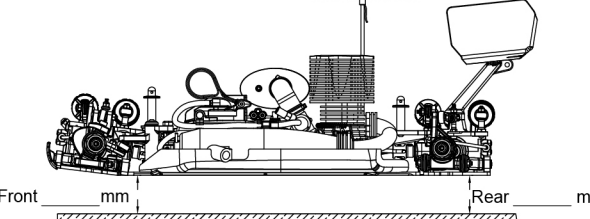
**ANTI ROLL BAR REAR**



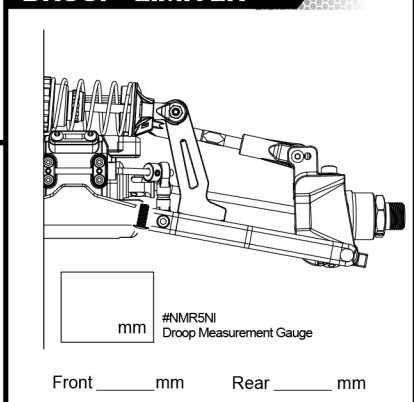
**ACKERMAN**



**RIDE HEIGHT**



**DROOP LIMITER**



NI1

1/8 NITRO BUGGY

