

**RC10
B6.3
TEAM KIT**

**1:10 Scale 2WD Electric
Off Road Competition Buggy Kit**



#90029 RC10B6.3 TEAM KIT

1:10 Scale 2WD Electric Off Road Competition Buggy Manual & Catalog



CHAMPIONS *by* DESIGN

AssociatedElectrics.com

TEAM ASSOCIATED

:: Introduction

Thank you for purchasing this Team Associated product. This assembly manual contains instructions and tips for building and maintaining your new vehicle. Please take a moment to read through the manual and familiarize yourself with the steps. We are continually changing and improving our designs; therefore, actual parts may appear slightly different than the illustrations. New parts will be noted on supplementary sheets located in the appropriate parts bags. Check each bag for these sheets before you start to build.

:: RC10B6.3 KIT Features

- New wide pivot rear aluminum arm mounts for use with 73mm arms and 69mm CVA bones
- Updated carbon fiber front and rear shock towers with new molded protective covers
- New servo mounting system with direct-to-chassis aluminum chassis mounts and molded brace with transponder mounting location
- Updated +3mm chassis and side rails for use with new servo mount for improved chassis flex characteristics
- Updated top plate that links to a new steering bellcrank brace for increased durability
- Octalock spur gear and 11mm Octalock LCF pads utilizing the heavier B74.1 slipper spring
- Optional parts included with kit: front and rear anti-roll bars and steel ESC and servo chassis weights
- Easy access rear differential with adjustable differential height
- Integrated 30mm fan mount
- 2 piece rear hubs with aluminum hub link mount
- Molded wire clips included for motor and ESC wires
- FT 5mm blue aluminum clamping hex
- Rod end battery brace parts and hardware included in kit
- Updated rear wing mount for more durability and less bending
- Set screw and flanged nut rear bottom shock mounting hardware
- New 2.0mm thick V2 machined shock pistons
- +1 carbon fiber steering arms
- Blue aluminum 3mm motor plate
- Black steel low profile (LP) wheel nuts

:: Additional

Your new B6.3 Team Kit comes unassembled and requires the following items for completion (refer to catalog section for suggestions):

- R/C two channel surface frequency radio system
- AA-size batteries for transmitter (#302 alkaline)
- Electronic Speed Control, ESC (#27002, 27004, 27005, 27006, 27033)
- Steering servo (#27116)
- 540 size electric motor
- Pinion gear (48P), size determined by type/wind of motor
- Battery charger (a peak detection charger, or LiPo compatible charger)
- 2 cell LiPo battery pack (#27318, 27349)
- Polycarbonate specific spray paint
- Cyanoacrylate glue (CA)(#1597)
- Thread locking compound (#1596)
- Tires and Inserts, Fronts and Rears
- Wheels w/12mm Hex
Front Wheels#9690, #9691
Rear Wheels #9695, #9696
- Slim Front Wheels w/12mm Hex (carpet/astro use)
#91757 (white) #91758 (yellow)

:: Other Helpful Items

- Silicone Shock Fluid (Refer to catalog for complete listings)
- Body Scissors (AE Part #1737)
- FT Hex/Nut Wrenches (AE Part #1519, 1650)
- Green Slime shock lube (AE Part #1105)
- Soldering Iron
- Needle Nose Pliers
- FT Body Reamer
- FT Ballcup Wrench (#1579)
- FT Dual Turnbuckle Wrench (#1114)
- Hobby Knife
- Shock Pliers
- FT Universal Tire Balancer (#1498)
- Calipers or a Precision Ruler
- Wire Cutters


















Associated Electrics, Inc.
21062 Bake Parkway
Lake Forest, CA 92630











Customer Service
Tel: 949.544.7500
Fax: 949.544.7501

:: Hardware - 1:1 Scale View




Button Head (bhcs)

-  **2x4mm (31510)**
Aluminum (8545)
-  **2.5x6mm (31520)**
-  **2.5x8mm (31521)**
-  **2.5x10mm (31522)**
-  **3x4mm (91158)**
-  **3x5mm (31530)**
-  **3x6mm (31531)**
-  **3x8mm (31532)**
-  **3x10mm (25211)**
-  **3x12mm (89202)**
-  **3x14mm (25187)**
-  **3x16mm (89203)**
-  **3x18mm (2308)**
-  **3x20mm (25188)**
-  **3x22mm (25189)**
Titanium (91588)
-  **3x24mm (89204)**
Titanium (91589)
-  **3x30mm (91478)**

Flat Head (fhcs)

-  **2x3mm (91749)**
-  **2.5x8mm (31448)**
-  **3x8mm (25201)**
-  **3x10mm (25202)**
Aluminum (8555)
-  **3x12mm (25203)**
-  **3x14mm (89208)**
-  **3x16mm (25204)**
Titanium (91596)
-  **3x18mm (89209)**
Titanium (91597)


Set Screws

-  **3x2.5mm (31500)**
-  **3x3mm (25225)**
-  **3x10mm (4671)**






Shims and Washers

-  **5.5x0.5mm (31381)**
-  **5.5x1.0mm (31382)**
-  **5.5x2.0mm (31383)**
-  **2.6x6mm Washer (89278)**
-  **3x8mm Washer (89218)**


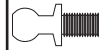



Socket Head (shcs)

-  **1.6 x 5mm (91611)**


Ball Bearings

-  **3x7x3mm (91475)**
-  **5x8x2.5mm (31400)**
-  **5x10x4mm (91560)**
-  **5x12x4mm (91567)**
-  **10x15x4mm (91563)**

Ballstuds

-  **Silver 5mm long (31283)**
-  **Silver 8mm long (31284)**
-  **HD 6mm (91047)**
Ti HD 6mm (91751)
-  **HD 8mm (91048)**
Ti HD 8mm (91752)
-  **HD 10mm (91049)**
Ti HD 10mm (91753)

Nuts (lock/plain)

-  **M3 Plain Nut (91477)**
-  **M3 Alum. Locknut, Blue (31550)**
M3 Locknut, Black (25215)
-  **M3 Locknut w/Flange (25612)**
FT 3mm Locknuts, Blue(25392)
-  **M4 Nuts:**
Serrated Steel (Silver)(91826)
FT Alum. Locknut (Blue) (25391)
Serrated Steel (Black) (91738)
Serrated Steel LP (Black) (91150)

Diff Balls

-  **5/64 Diff Thrust Balls (6574)**
-  **3/32 Carbide Diff Balls (6581)**
-  **3/32 Ceramic Diff Balls (6584)**

Notes:

:: Table of Contents

1..... Cover	13 - 14.....Bag 7: Rear Hubs
2..... Introduction	14 - 15.....Bag 8: Ballcaps
3.....1:1 Hardware "Fold Out"	15 - 17..... Bag 9: Shocks
4..... Table of Contents	17 - 19.....Bag 10: Battery Strap, Body, and Wheels
5.....Bag : Steering	20 - 22..... Tuning Tips
5 - 8.....Bag 2: Front Suspension	23 - 31..... Catalog
8 - 9.....Bag 3: Caster Blocks	31..... Contact Info
9 - 10.....Bag 4: Rear Suspension	32..... Setup Sheet "Kit Setup"
10 - 11.....Bag 5: Gear Diff	33..... Setup Sheet "Blank"
11 - 13.....Bag 6: Gearbox	34..... Back Cover

:: Notes

This symbol indicates a special note or instruction in the manual.



This symbol indicates a Racers Tip.



There is a 1:1 hardware foldout page in the front of the manual. To check the size of a part, line up your hardware with the correct drawing until you find the exact size. Each part in the foldout has a number assigned to it for ordering replacement parts.

**Associated Electrics, Inc.
21062 Bake Parkway
Lake Forest, CA 92630**



**Customer Service
Tel: 949.544.7500
Fax: 949.544.7501**

:: Bag 1 - Step 1

! Note orientation of steering rack.

91048 $\Sigma 2$
Heavy-duty Ballstud, 8mm

91475 $\Sigma 4$
3 x 7 x 3 Ball Bearing

91667 Steering Rack

31382 $\Sigma 2$
FT Ballstud Washer, Aluminum (1mm)

91475 $\Sigma 4$
3 x 7 x 3 Ball Bearing

91667 Steering Bellcrank (Right)

91667 Steering Bellcrank (Left)

:: Bag 1 - Step 2

! The steering bellcrank brace has offsets on one side. They should be installed towards the bearings.

There are two steering bellcrank braces included in the kit, use the part that mates with the top plate.

25188 $\Sigma 2$
M3 x 20mm BHCS

91884 Steering Bellcrank Brace

89202 $\Sigma 2$
M3 x 12mm BHCS

31283 5mm Ball Stud, Long

31382 $\Sigma 2$
FT Ballstud Washer, Aluminum (1mm)

91049 $\Sigma 2$
Heavy-duty Ballstud, 10mm

91884 Front Ball Stud Mount

! For easier assembly of front towers, save these 2 ball studs for Bag 2, Step 9.

:: Bag 2 - Step 1

! Do not overtighten #31500 - M3 x 2.5mm set screw. You could bend the bar!

! Set the screw tension so the bar can move

31500 M3 x 2.5mm Set Screw

91822 Anti-Roll Bar, Blue (1.0mm)

91821 Anti-Roll Bar Collar

31520 $\Sigma 2$
M2.5 x 6mm BHCS

:: Bag 2 - Step 2

91656 Bulkhead

91893 B6.3 Chassis, +3mm

25204 $\Sigma 2$ M3 x 16mm FHCS

25°
v0E

There are two bulkhead settings (25°, 30°). 25° is the standard used. The arrow should point forward for the desired setting.

:: Bag 2 - Step 3

91747 B6 FT Steel Chassis Weight, 24g

91748 B6 FT Steel Chassis Weight, 36g

91734 Battery Foam, B6

91886 Side Rails (L & R)

91734 Battery Foam, B6

91749 $\Sigma 3$ M2 x 3mm FHCS

25202 $\times 4$ M3 x 10mm FHCS

25201 $\Sigma 5$ M3 x 8mm FHCS

#91734 - Side Rail Foams
Have two thickness options to accommodate any battery size.

:: Bag 2 - Step 4

91885 $\Sigma 2$ Steering Link, B6.3

31382 FT Ballstud Washer, Aluminum (1mm)

4671 M3x10mm Set Screw

31284 8mm Ball Stud, Long

31532 M3 x 8mm BHCS

91728 Servo Horn

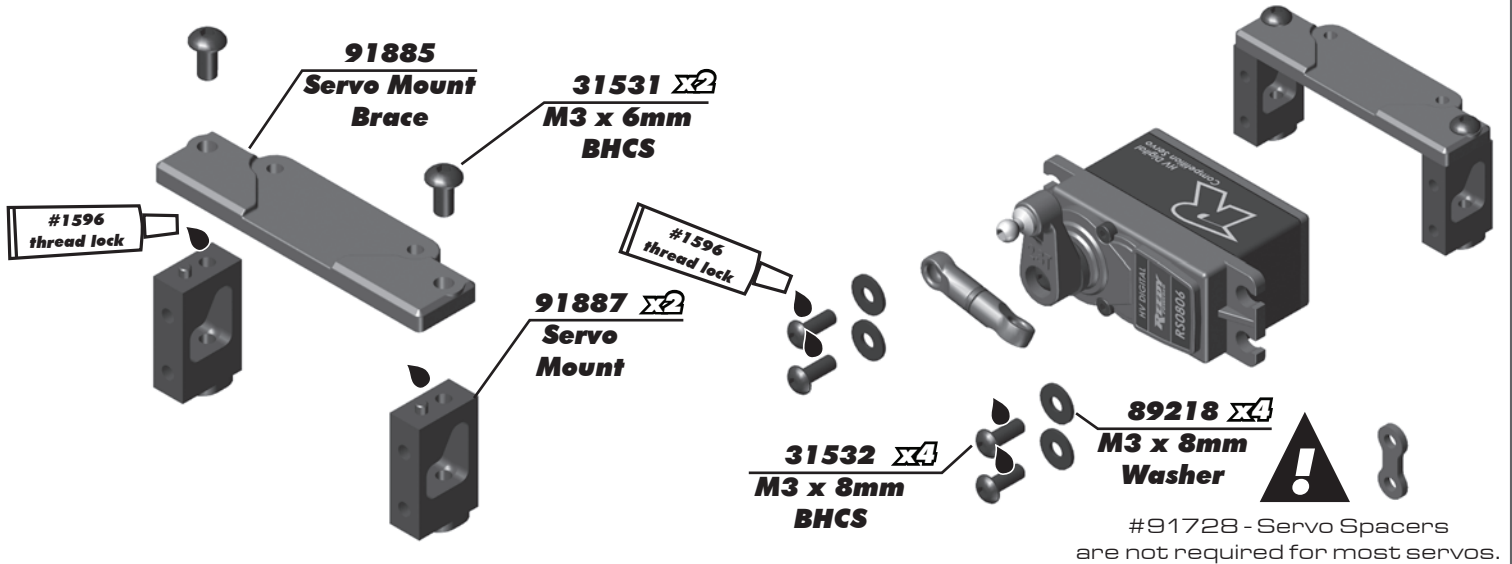
91728 Servo Horn Ring

Align the servo horn 90 degrees

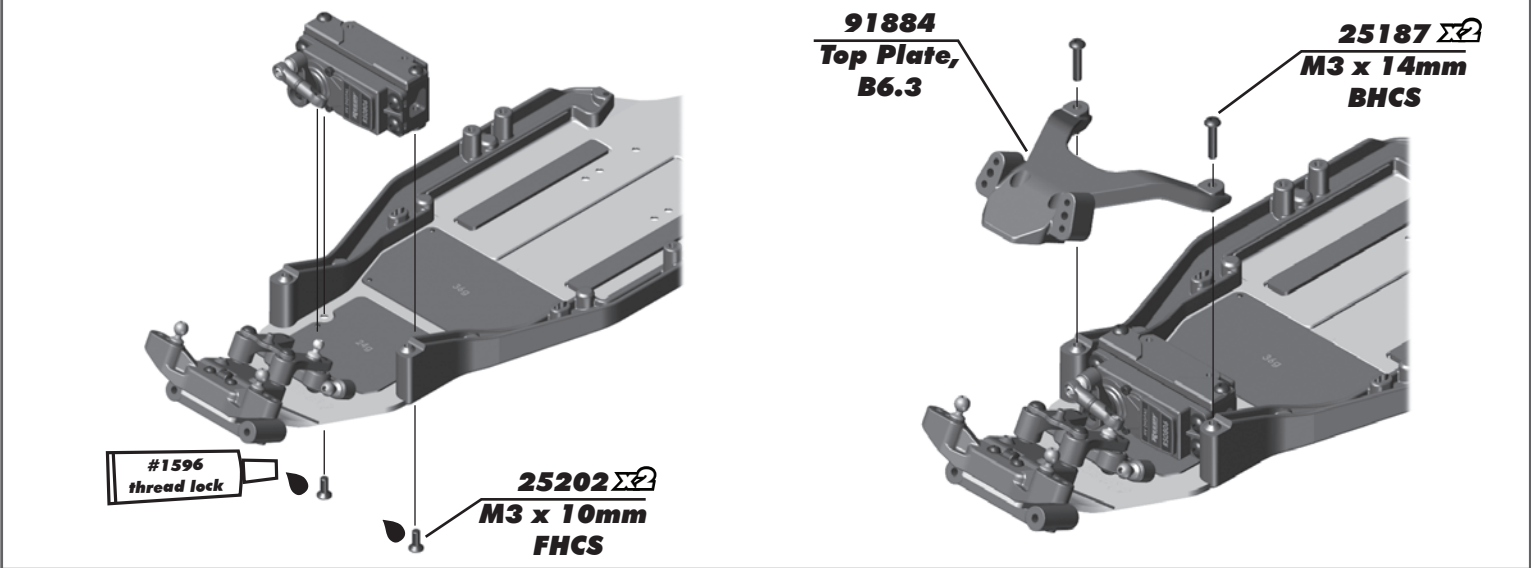
Servo not included!

Tighten the steering link ball cups all the way until snug.

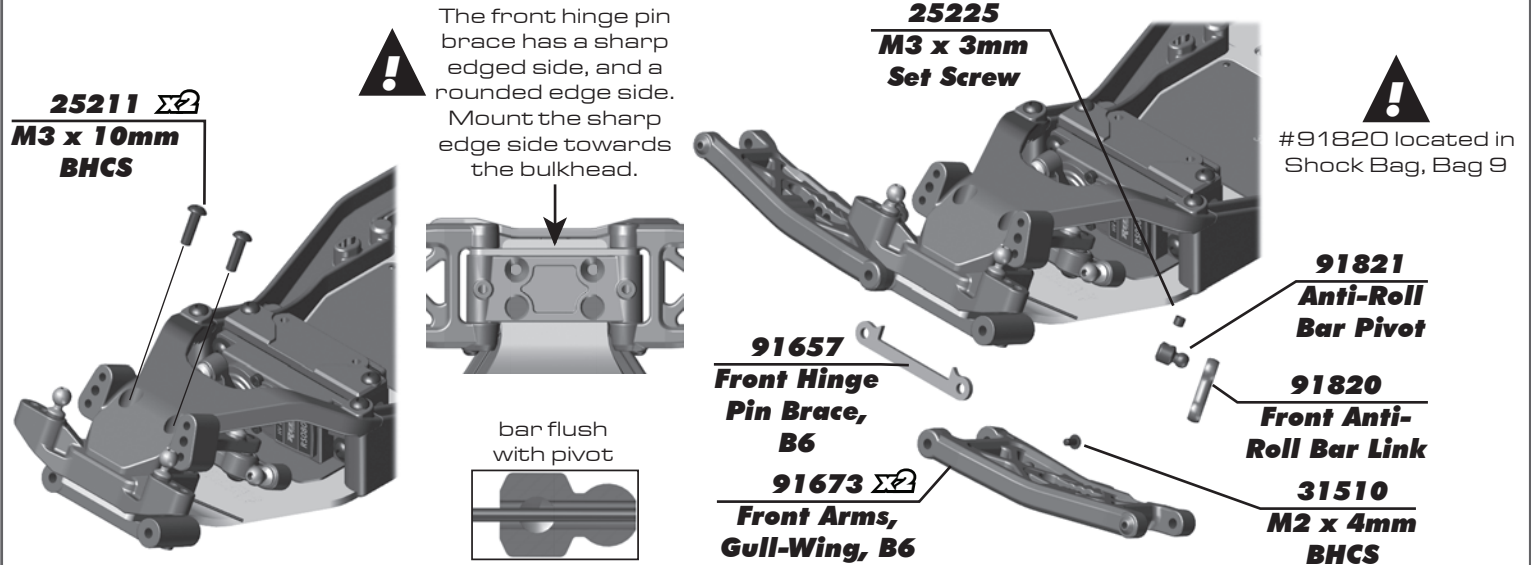
:: Bag 2 - Step 5



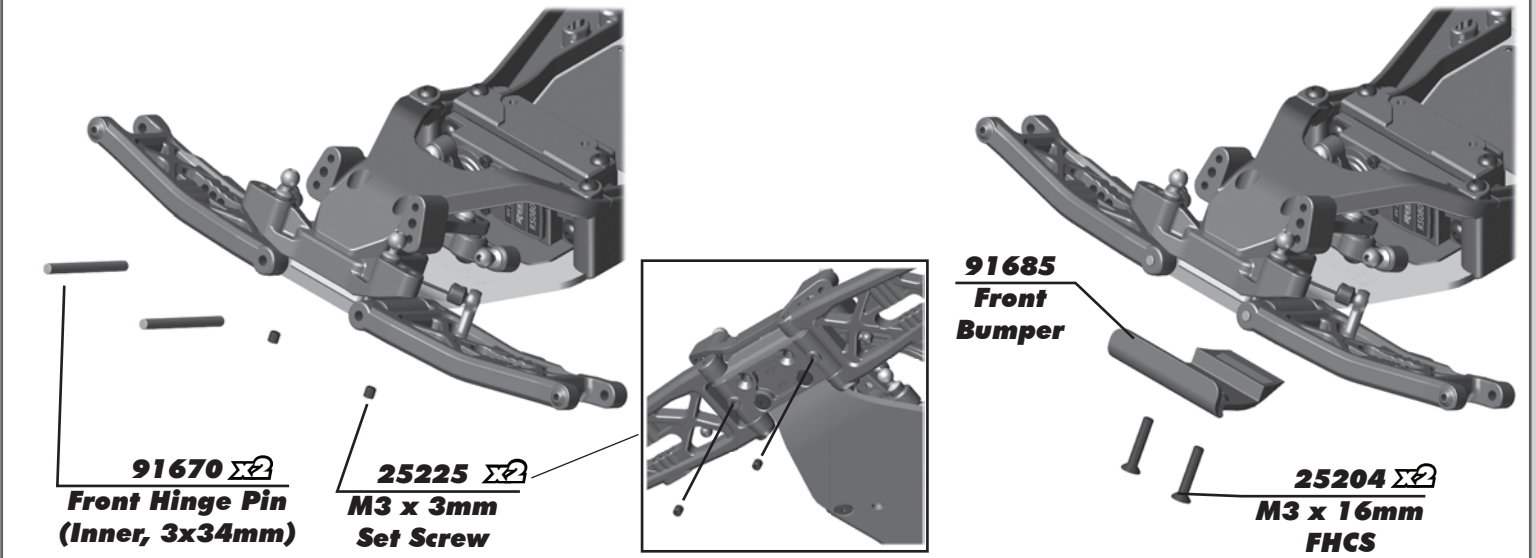
:: Bag 2 - Step 6



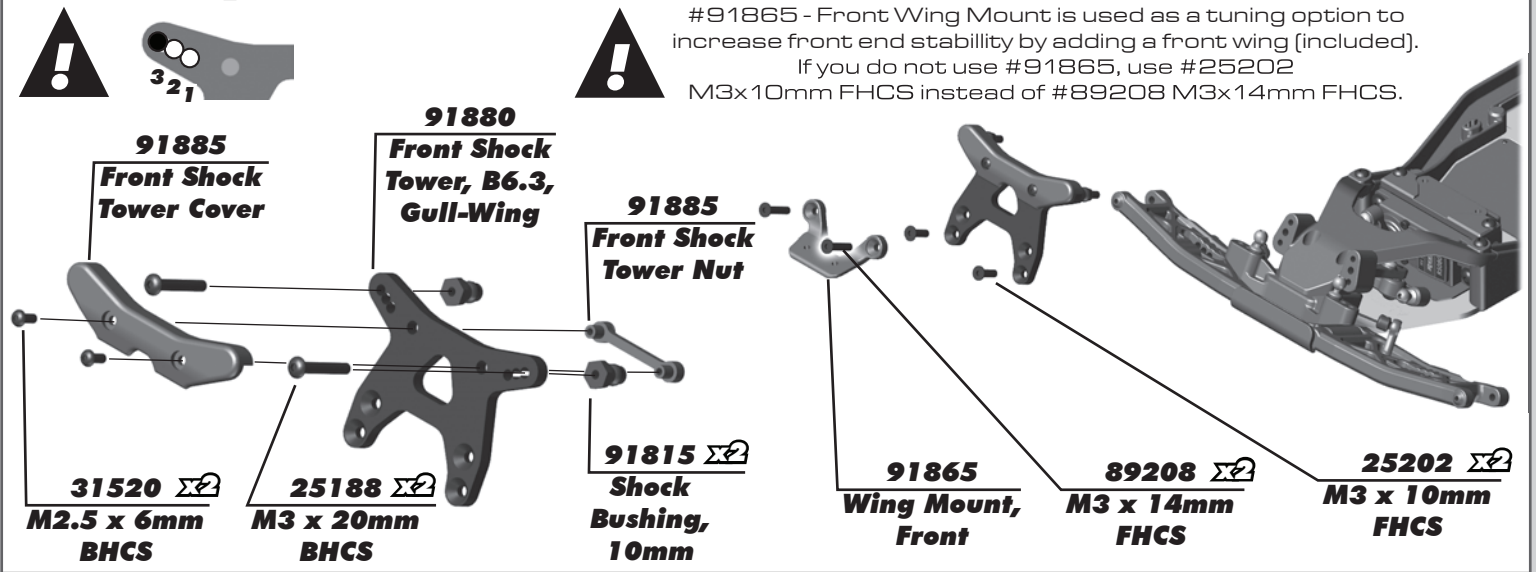
:: Bag 2 - Step 7



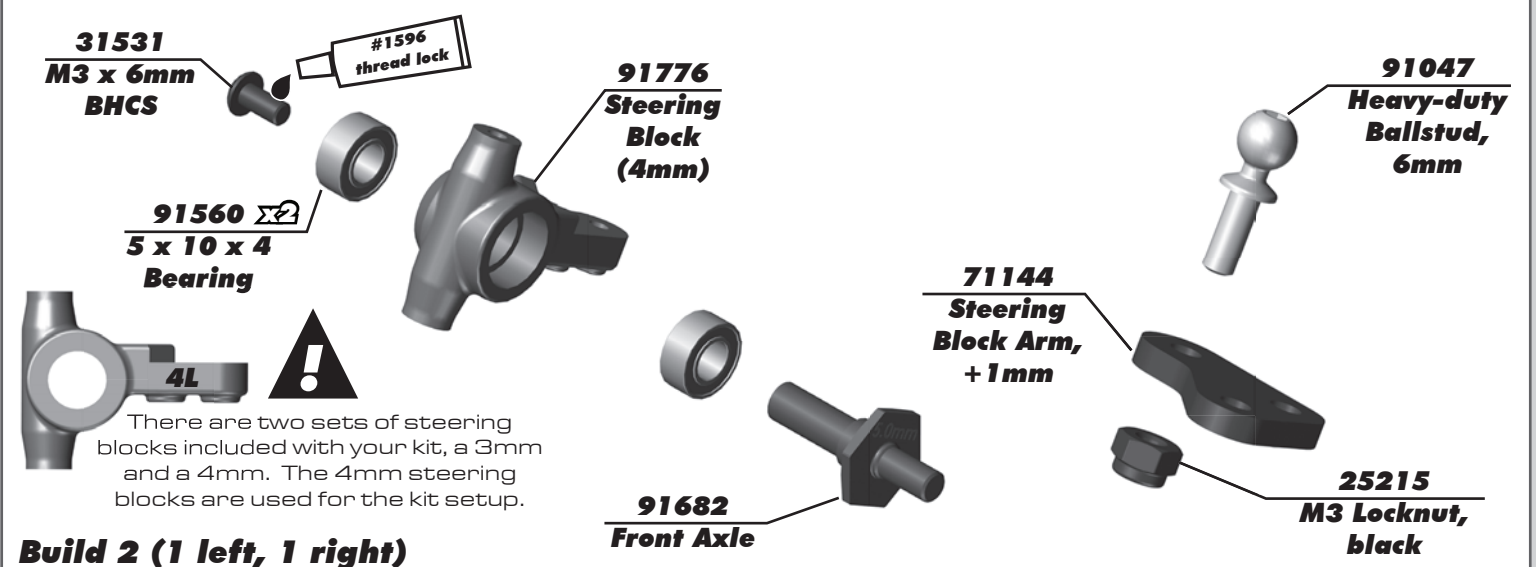
:: Bag 2 - Step 8



:: Bag 2 - Step 9

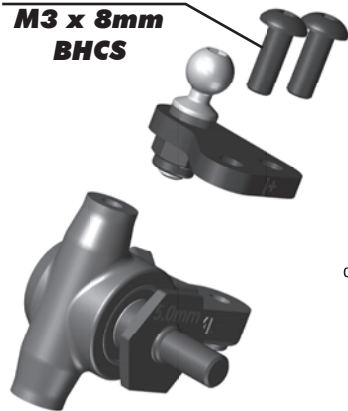


:: Bag 3 - Step 1



:: Bag 3 - Step 2

31532 $\Sigma 2$
M3 x 8mm
BHCS



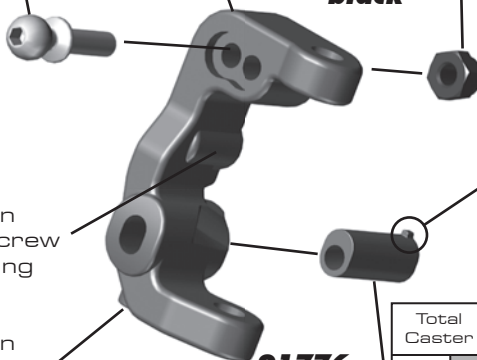
91049
Heavy-duty
Ballstud,
10mm



You can install an optional #31520 screw to use as a steering stop setting.

You can install an optional #4670 set screw to better hold the caster block inserts and hinge pin.

91776
Caster
Block



91776
Caster
Block Insert
(+5°)

25215
M3 Locknut,
black



There are three caster block inserts included (0°, +/- 2.5°, +/- 5°). +5° is the standard insert used.

Tab up = positive caster
Tab down = negative caster

Total Caster	Caster Block Insert					
	0	2.5 up	2.5 down	5 up	5 down	
Bulkhead Orientation	25°	25°	27.5°	22.5°	30°	20°
	30°	30°	32.5°	27.5°	35°	25°

Build 2 (1 left, 1 right)

:: Bag 3 - Step 3

25187 $\Sigma 2$
M3 x 14mm
BHCS

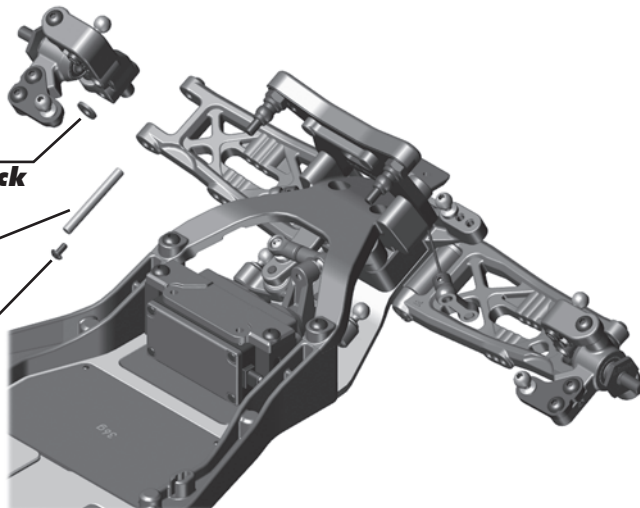


91676 $\Sigma 2$
Caster Hat
Bushing
Top: 0mm
Bottom: 3mm

91776
Caster Block
Spacer

91670
Front Hinge Pin
(Outer, 3x26mm)

31510
M2 x 4mm
BHCS



#91670 - Hinge Pin will be tight in the caster blocks, but should rotate freely in the front arms.

Build 2 (1 left, 1 right)

Build 2 (1 left, 1 right)

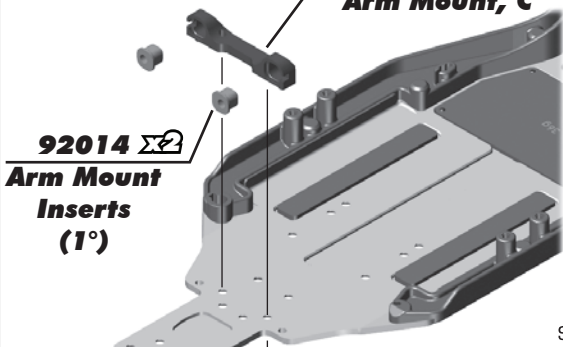
:: Bag 4 - Step 1

Arm Mount C:
Out 1°



91882
Aluminum
Arm Mount, C

92014 $\Sigma 2$
Arm Mount
Inserts
(1°)



You can use a dot of CA glue to better secure the lower shock mounting set screw

91853 $\Sigma 2$
Rear Arm
Spacer

92014 $\Sigma 2$
Arm Mount
Inserts (1°)

91883
Aluminum
Arm Mount, D

91685
Rear
Bumper

91670
Arm Mount D: In 1°

91737 $\Sigma 2$
M3 x 20mm
Set Screw

91853
B6.2 Rear
Arms, 73mm



See next step for pill chart tips

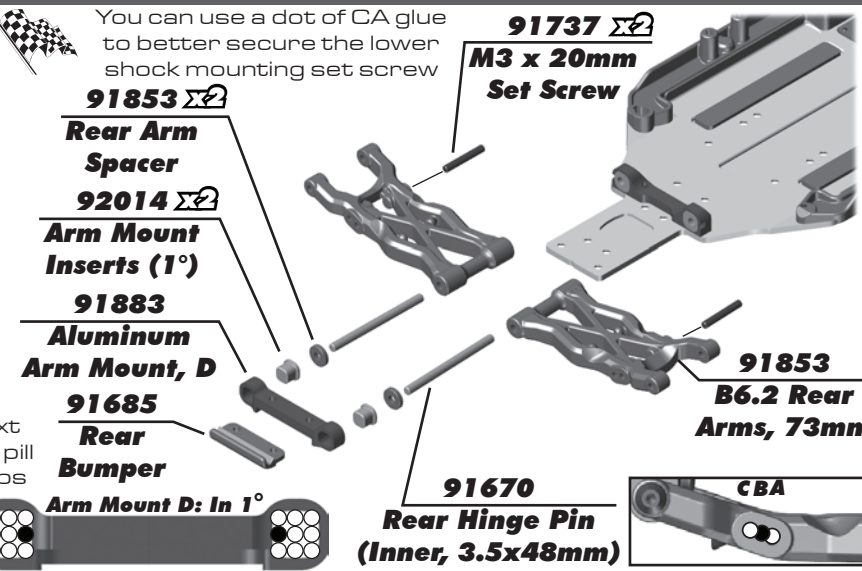
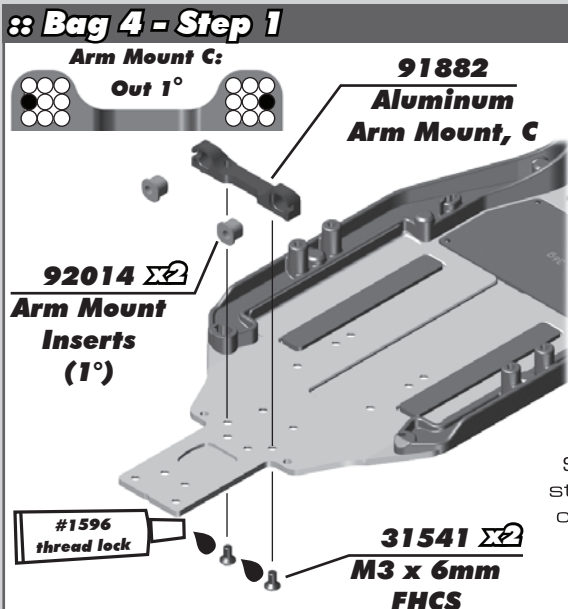


91670
Rear Hinge Pin
(Inner, 3.5x48mm)



#1596
thread lock

31541 $\Sigma 2$
M3 x 6mm
FHCS





:: Bag 4 - Step 2



The (#91882) C and (#91883) D aluminum arm mounts allow for a large amount of setup combinations when using the (#92014) 0.5° and 1° arm mount inserts.

For a complete list of pill setup combinations, please visit our website by using the link below.

https://www.teamassociated.com/pdf/cars_and_trucks/RC10B6/B6_B6D_Pill-Chart.pdf

	C Plate Out 1°	Toe-In	Anti-Squat
	D Plate In 1°	1° Kit Setup	1° Kit Setup

:: Bag 5 - Step 1

91783 Gear Diff Gear

91780 Gear Diff washer 5x15mm


91780 Gear Diff Sun Gear

91782 Gear Diff O-Ring

#6588 black grease

91785 Gear Diff Outdrive

91785 Gear Diff Outdrive Pin



One pocket is flat for inserting the #91785 gear diff outdrive pin.

:: Bag 5 - Step 2

91783 Gear Diff Crosspin

#6588 black grease

91780 Planet Gear Diff Shim 3.5 x 9mm

91780 Planet Gear

91782 Gear Diff O-Ring 3.3 x 0.6mm


91780 Gear Diff washer 5x15mm

91783 Gear Diff Cover

#6588 black grease

91782 Gear Diff O-Ring

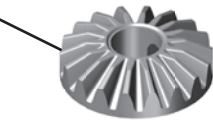
91785 Gear Diff Outdrive



#91782 3.3x0.6mm Gear Diff O-Rings are a tuning option. Kit setup is built without O-Rings

:: Bag 5 - Step 3

91780
Gear Diff
Sun Gear



91785
Gear Diff
Outdrive Pin



91782
Gear Diff
Gasket

31522
M2.5 x 10mm
BHCS



Diff fluid
#SA53



Fill to top of the
cross pins

:: Bag 6 - Step 1

91799
B6.1 Laydown
Top Shaft

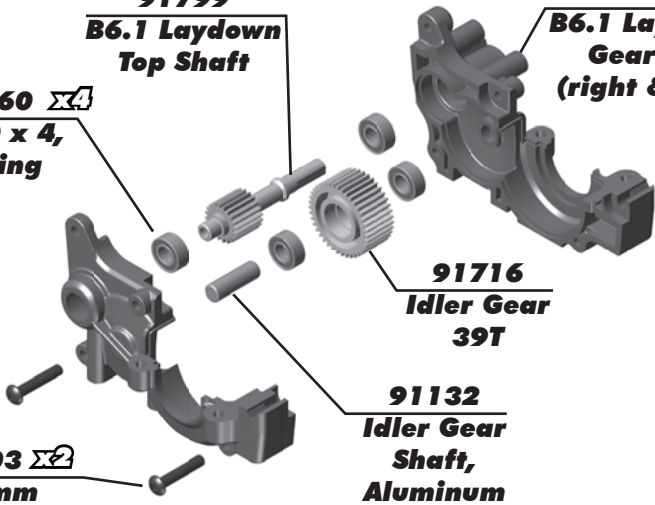
91791
B6.1 Laydown
Gearbox
(right & left)

31448
2.5x8mm
FHCS

91560
5 x 10 x 4,
Bearing

91048
Heavy-duty
Ballstud, 8mm

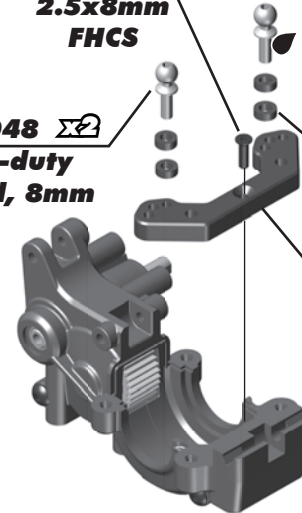
#1596
thread lock



91716
Idler Gear
39T

91132
Idler Gear
Shaft,
Aluminum

89203
3x16mm
BHCS



31383
Ballstud
Washers,
5.5x2.0mm,
Blue Aluminum

91775
B6.1 Rear
Ballstud
Mount,
Aluminum

:: Bag 6 - Step 2

91821
Anti-Roll
Bar Pivot

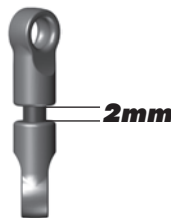


4671
M3 x 10mm
Set Screw

#91820 located in
Shock Bag, Bag 9

Do not overtighten
#25225 - M3 x 3mm set screw.
You could bend the bar!

91820
Steering Link
Ball Cup



25225
M3 x 3mm
Set Screw



91823
Anti-Roll Bar,
Gray (1.3mm)

91821
Anti-Roll
Bar Collar

Build x2 (right and left side)

:: Bag 6 - Step 3

Diff Height	
	3 Kit Setup
	2
	1
	0



Add a drop of Diff Lube (#6591 - not included) to the teeth of the diff gear, idler gear, and top shaft.

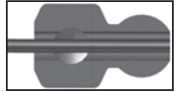
91563 **10x15x4 Bearing**

91792 **B6.1 Diff Height Insert**

91791
B6.1 Laydown Gearbox Top

25225 **M3 x 3mm Set Screw**

bar flush with pivot



:: Bag 6 - Step 4

89202 **3 x 12mm BHCS**

89203 **3 x 16mm BHCS**

25225 **M3 x 3mm Set Screw**

91709
Lay-Down Chassis Brace

91819
B6.1 Shock Pivot Ball

89203
3 x 16mm BHCS

25188
3 x 20mm BHCS



Do not over-tighten the anti-roll bar set screws. The anti-roll bar should rotate freely in the assembly. Use set screws to remove up and down play from the anti-roll bar.

:: Bag 6 - Step 5

91813
B6.1 Gear Guard

71145
T6.2 Laydown Motor Plate

25202 **3 x 10mm FHCS**

91803
B6.1 Slipper Hub, Inner

92295
Octalock Spur Gear, 78T 48P

92285 **FT Octalock LCF Slipper Pad, 11mm**

91804
B6.1 Slipper Hub, Outer

91799
B6.1 Top Shaft Screw and Pin



There's also a 72T, 48P spur gear (#92293) included for stock motor use!



#92295 spur gear walls should point away from gear box.

:: Bag 6 - Step 6

91891 Slipper Spring Adapter, Outer

91891 Slipper Spring Adapter, Inner

25612 M3 Locknut, Flanged

92276 B74.1 Slipper Spring, 500lb

25189 M3 x 22mm BHCS

91718 Rear Wing Mount

91885 Rear Tower Cover

25188 M3 x 20mm BHCS

91718 Rear Wing Mount Spacer

91881 Rear Shock Tower, B6.3

91816 Shock Bushing, 12mm

89202 M3 x 12mm BHCS

25204 M3 x 16mm FHCS

25202 M3 x 10mm FHCS

432,1

! Rear tower cover in bag #10

! #25188 x4 (M3x20mm) #89202 x4 (M3x12mm)

***use 12mm length screws if rear wing mount spacer is removed.**

! See page 20 for gear mesh, and slipper clutch setting instructions!

! Set nut flush with top shaft.

:: Bag 6 - Step 7

89202 M3 x 12mm BHCS

25204 M3 x 16mm FHCS

25202 M3 x 10mm FHCS

:: Bag 7 - Step 1

91047 Heavy-duty Ballstud, 6mm

#1596 thread lock

31383 Ballstud Washers, 5.5x2.0mm, blue

92179 B6.2 Rear Hub Inserts

92180 Rear Hub Link Mounts

91857 B6.2 Rear Hubs

#1596 thread lock

89202 M3 x 12mm BHCS

Build x2 (right and left side)

Rear Axle Height			
↑ 3	0 ↓	3 ↑	+3mm Kit Setup
↑ 2	1 ↓	2 ↑	+2mm
↓ 2	1 ↑	1 ↑	+1mm
↓ ε	0 ↑	0 ↑	+0mm

:: Bag 7 - Step 2

91438 CVA Coupler

91860 CVA Bone, 69mm

91438 CVA Pin

91859 B6.2 CVA Axle, +2mm

91563 10 x 15 x 4 Bearing

91567 5 x 12 x 4 Bearing

#6588 black grease

Note the location of the "L" and "R" on the rear hub!

Build x2

Build x2 (right and left side)

:: Bag 7 - Step 3

91436 CVA Wheel Hex Pin

91609 Clamping Wheel Hex, 5mm Offset (rear)

91611 M1.6 x 5mm SHCS

92188 Rear Hub Hinge Pin

92179 x2 Rear Hub Spacer

25215 M3 Locknut

Do not overtighten the 1.6 x 5mm SHCS into the Clamping wheel hex.

Hinge Pin will be tight in the rear hub, but should rotate freely in the rear arms.

Build x2 (right and left side)

Build x2 (right and left side)

:: Bag 8 - Step 1

91722 Ball Cup

91723 Turnbuckle 3x48mm

91722 Ball Cup

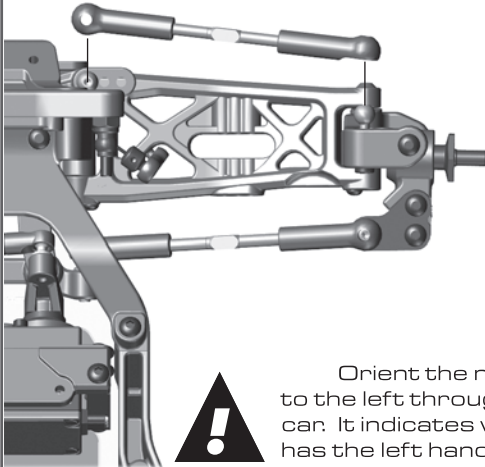
Steering Turnbuckle 27.70mm

Racers Tip: Use black grease (#6588) on the threads of the turnbuckles for easier ball cup installation!

Orient the notch to the left throughout the car. It indicates which end has the left hand threads!

Build x2 (right and left side)

:: Bag 8 - Step 2



Orient the notch to the left throughout the car. It indicates which end has the left hand threads!



91722
Ball Cup



91723
Turnbuckle
3x48mm



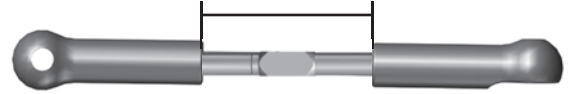
91722
Ball Cup



Racers Tip:

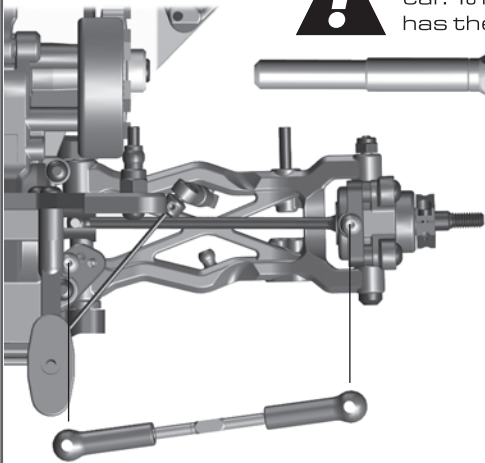
Use black grease (#6588) on the threads of the turnbuckles for easier ball cup installation!

Front Camber Turnbuckle
26.90mm



Build x2 (right and left side)

:: Bag 8 - Step 3



Orient the notch to the left throughout the car. It indicates which end has the left hand threads!



91722
Ball Cup



91723
Turnbuckle
3x48mm



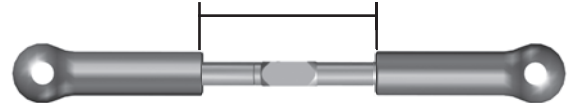
91722
Ball Cup



Racers Tip:

Use black grease (#6588) on the threads of the turnbuckles for easier ball cup installation!

Rear Camber Turnbuckle
25.50mm



Build x2 (right and left side)

:: Bag 9 - Step 1

91895
FT 12mm V2 Shock Piston, 2mm [2x1.5] (front)

31510
M2 x 4mm BHCS

89278
2.5mm Washer

91896
FT 12mm V2 Shock Piston, 2mm [2x1.6] flat (rear)

91615
V2 3 x 21 Shock Shaft TiN (front)

91619
V2 3 x 27.5 Shock Shaft TiN (rear)



Mount the shock pistons with the number facing up!



Racers Tip:

Use a marker over the numbers on the pistons to make them easily visible!

91480
12x23mm V2 Shock Bodies (front)

91481
12x27.5mm V2 Shock Bodies (rear)

91493
X-Ring

91495
V2 Shock Spacer

91495
V2 Shock Hat Bushing

91491
12mm Shock Cap O-Ring

31327
VCS3 Shock Bottom Cap O-Ring

31327
VCS3 Shock Bottom Cap



Lightly rub shock oil on the o-ring before installation!



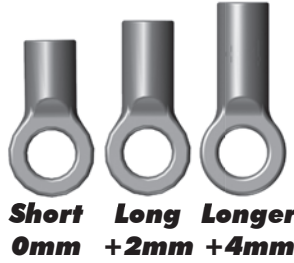
Racers Tip:

Coating the o-rings with green slime (#1105) helps seal & reduce o-ring swell! **Green slime not included in kit!**

:: Bag 9 - Step 2

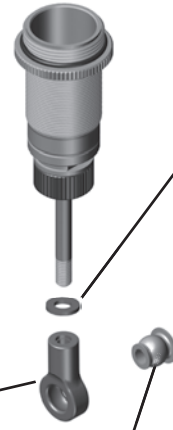


There are 3 lengths of shock eyelet in the kit. Pay attention to length when building as these affect your droop and uptravel.



Short 0mm
Long +2mm
Longer +4mm

91820 Shock Eyelet
Front Shocks - Short
Rear Shocks - Long



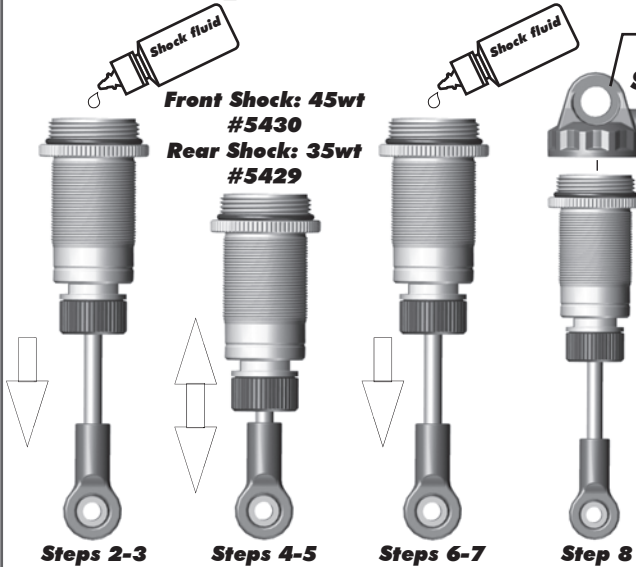
4187 Nylon Spacer, (.030)

Front: 0 spacers

Rear: 1 spacers

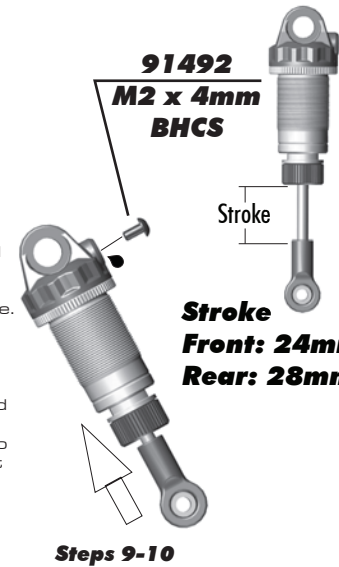
91819 Shock Pivot Ball

:: Bag 9 - Step 3



91814 12mm Shock Cap

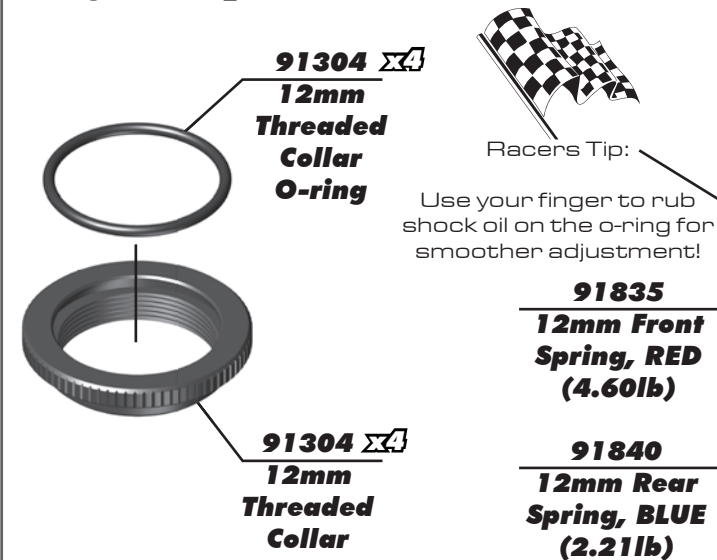
- Shock Bleeding Steps:**
1. Before assembly, get each bleed screw and thread it 1-2 turns into the shock cap, then remove the screw. This will make it easier when you are bleeding your shocks.
 2. Pull shock shaft down.
 3. Fill shock body 3/4 full with silicone shock fluid.
 4. Slowly move the shock shaft up and down to remove air from under the piston.
 5. Wait for bubbles to come to surface.
 6. Fill shock body to top with silicone shock fluid.
 7. Place a drop of oil in the cap and on cap threads.
 8. Install cap (without bleed screw) and tighten completely.
 9. Slowly compress shaft all the way to bleed excess silicone shock fluid out the hole in the cap (use rag around shock to catch excess fluid).
 10. Install M2x4mm button head screw until snug while shaft is fully compressed.



91492 M2 x 4mm BHCS

Stroke
Front: 24mm
Rear: 28mm

:: Bag 9 - Step 4



91304 x4 12mm Threaded Collar O-ring

91304 x4 12mm Threaded Collar



Racers Tip:

Use your finger to rub shock oil on the o-ring for smoother adjustment!

91835 12mm Front Spring, RED (4.60lb)

91840 12mm Rear Spring, BLUE (2.21lb)

#91814 12mm Shock Spring Cups
0mm 5mm 9mm



Front: 4.20mm
Rear: 8.70mm

91814 12mm shock spring cup (Front - 5mm Rear - 0mm)

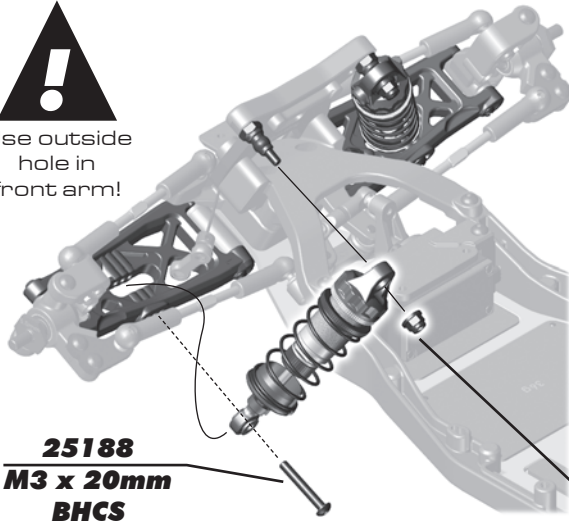
!
Slide spacers up. Install spring cup below uptravel spacers.

Build x2 front and x2 rear shocks

:: Bag 9 - Step 5



Use outside hole in front arm!



25188
M3 x 20mm
BHCS

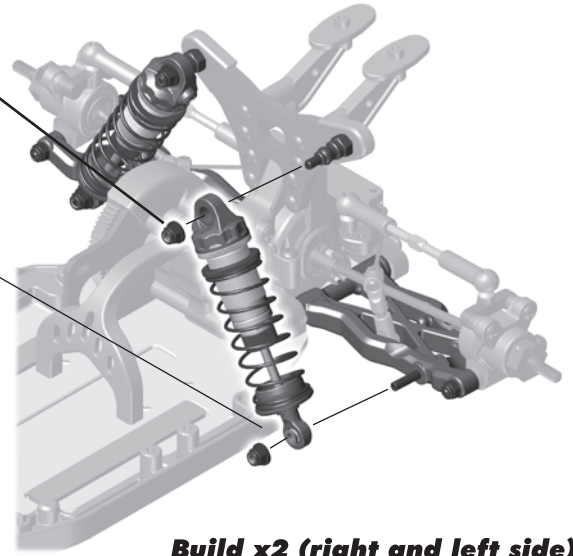
Build x2 (right and left side)

25612
M3 Locknut
w/Flange



Make sure the flange on the shock pivot ball is towards the rear arm.

25612
M3 Locknut
w/Flange



Build x2 (right and left side)

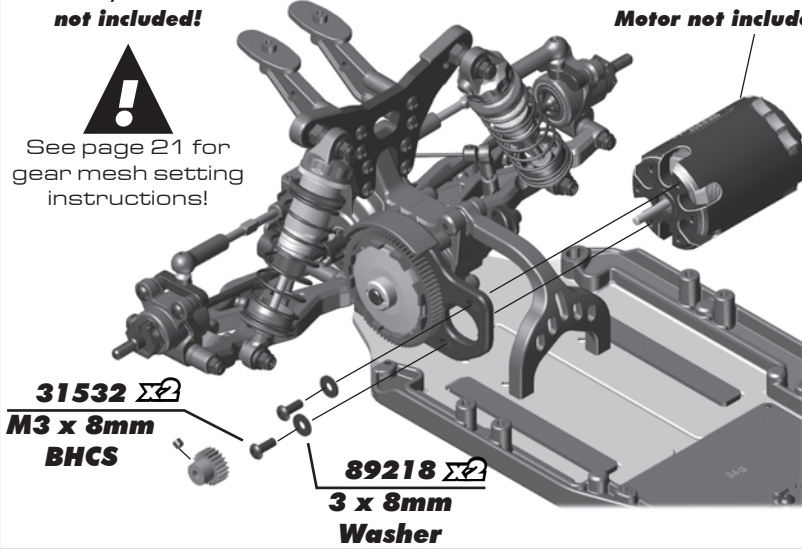
:: Bag 10 - Step 1

Pinion / Setscrew
not included!



See page 21 for gear mesh setting instructions!

Motor not included!



31532
M3 x 8mm
BHCS

89218
3 x 8mm
Washer

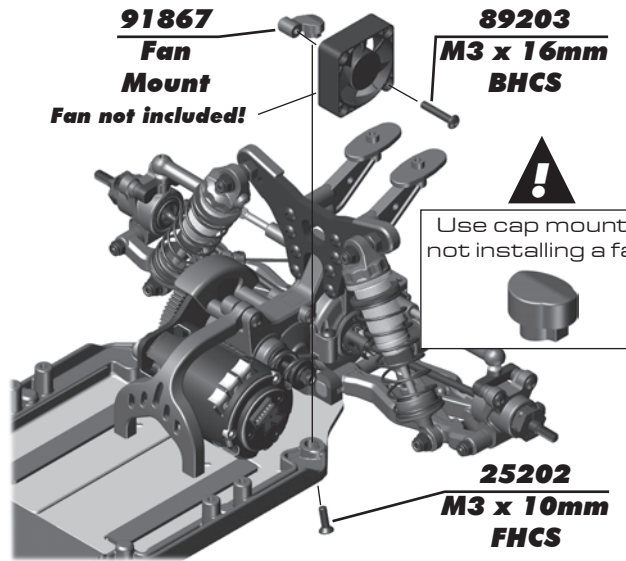
91867
Fan
Mount

Fan not included!

89203
M3 x 16mm
BHCS



Use cap mount if not installing a fan.



25202
M3 x 10mm
FHCS

:: Bag 10 - Step 2

Receiver not included!

ESC not included!

6727
Servo
Tape

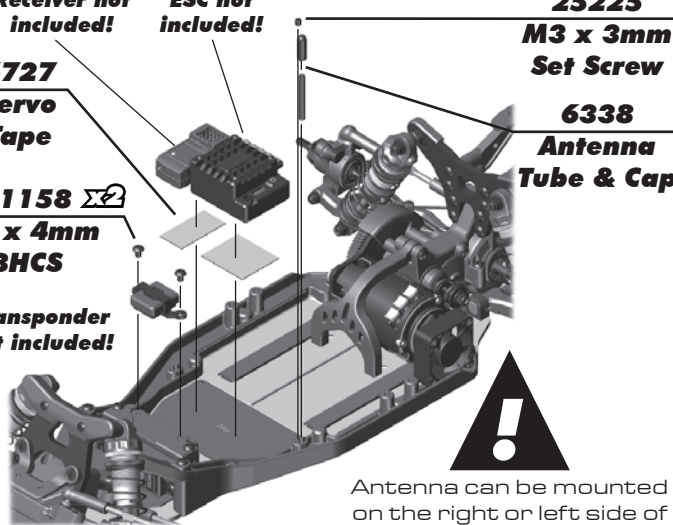
91158
M3 x 4mm
BHCS

Transponder
not included!

25225
M3 x 3mm
Set Screw

6338
Antenna
Tube & Cap

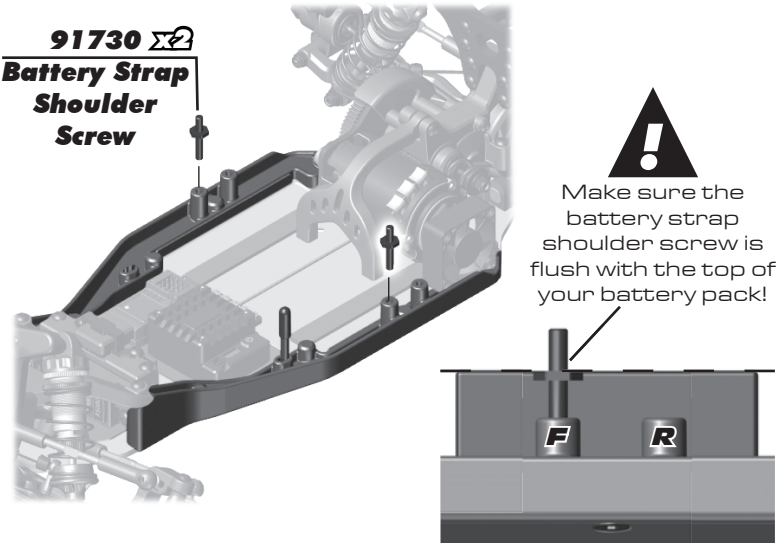
91730
Battery Strap
Shoulder
Screw



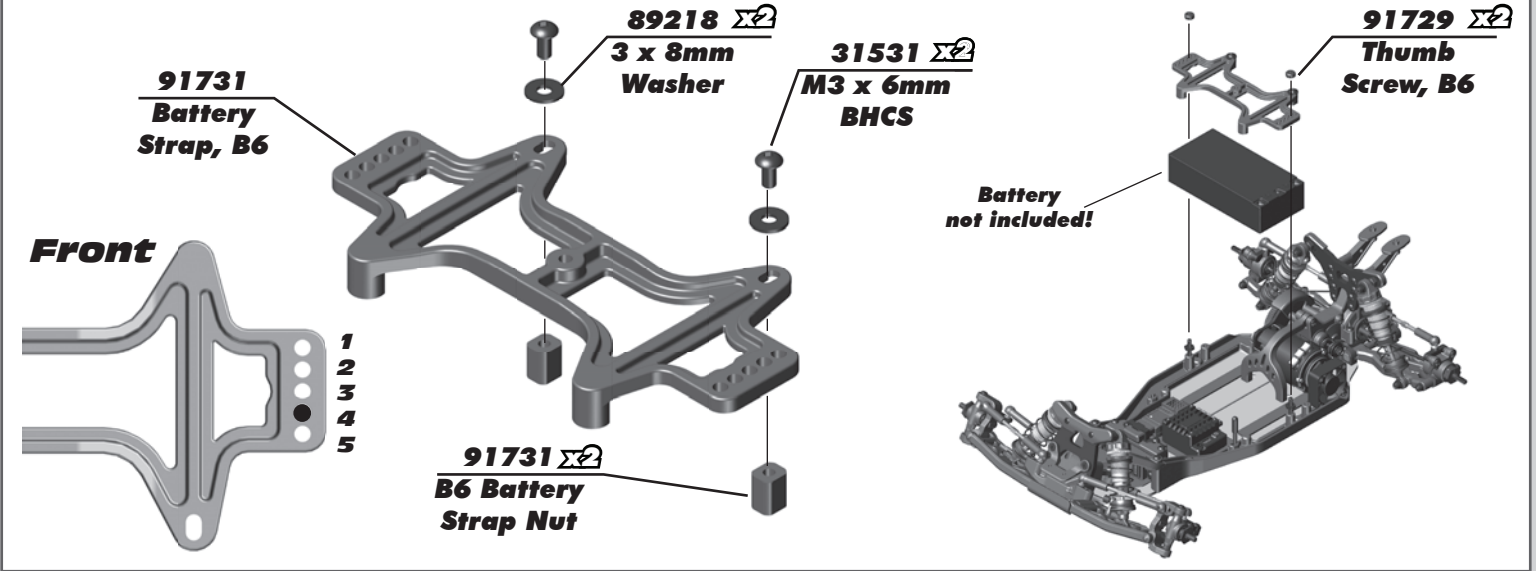
Antenna can be mounted on the right or left side of the chassis.



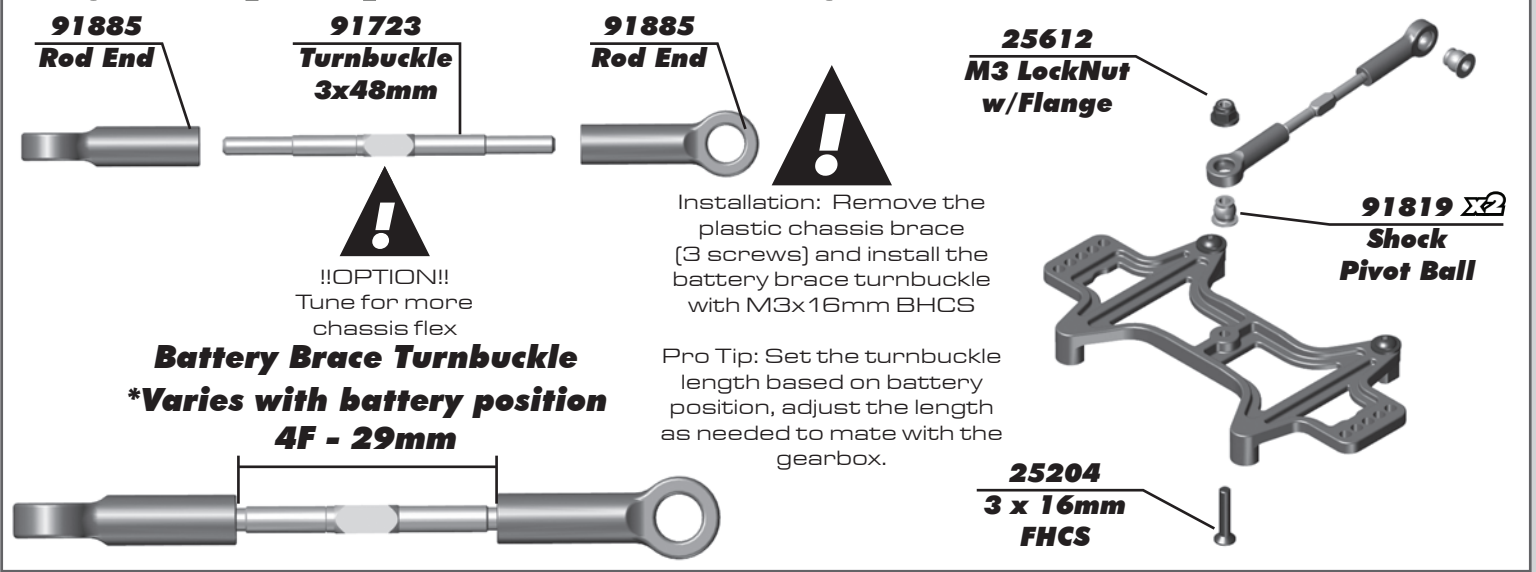
Make sure the battery strap shoulder screw is flush with the top of your battery pack!



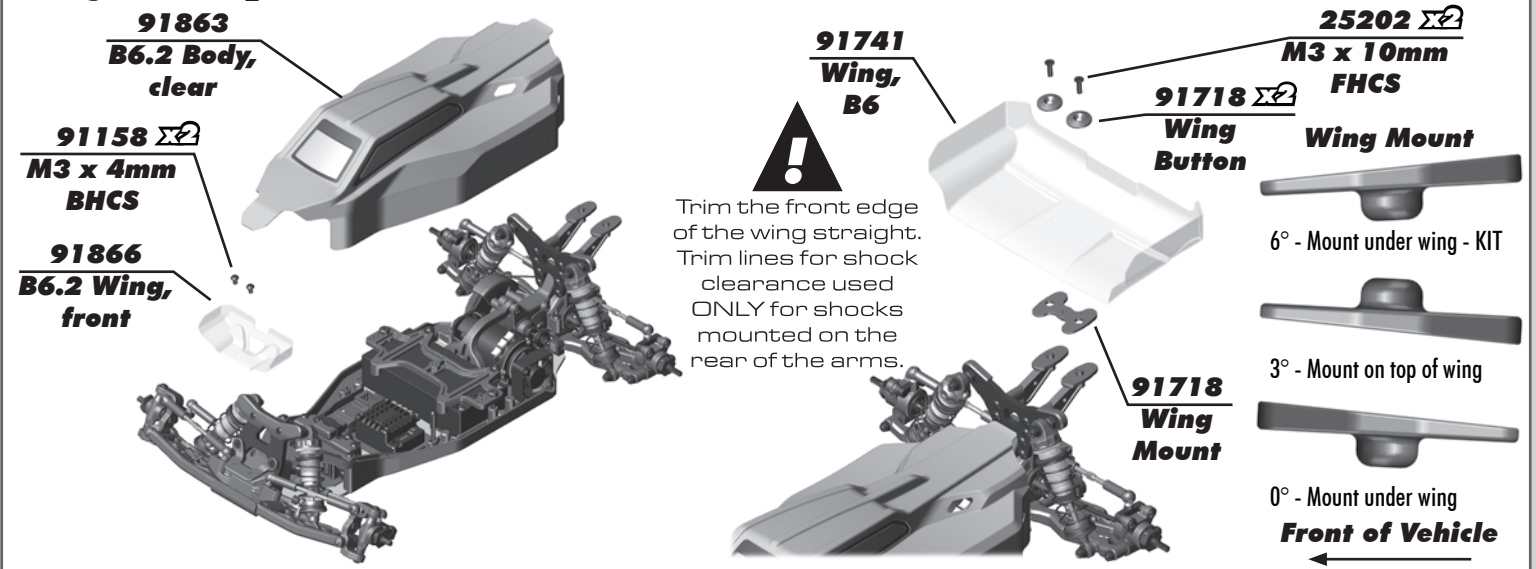
:: Bag 10 - Step 3



:: Bag 10 - Step 4 - Optional Chassis Brace Configuration



:: Bag 10 - Step 5

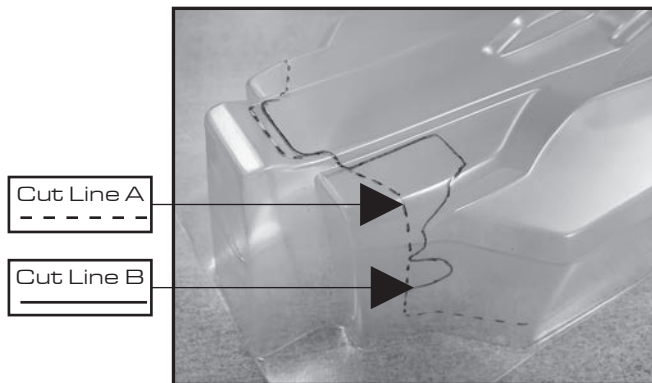


:: Bag 10 - Step 6

Body Trimming / Mounting:

There are 2 body trimming options depending on what transmission you choose to run.

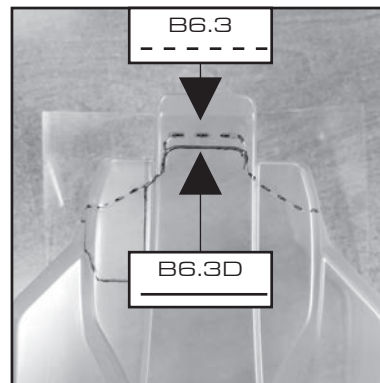
- Cut Line A is for laydown/layback transmissions.
- Cut Line B is for 4 gear transmission.



Body Trimming for Length:

There are 2 body trimming options depending on what transmission you choose to run.

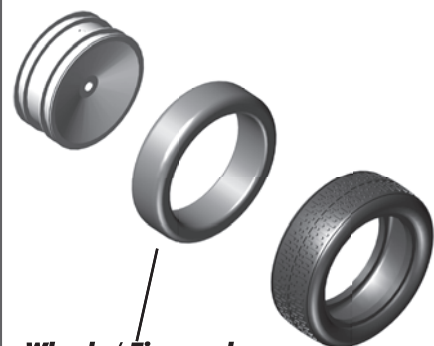
- Cut the body on the top/rear, long for the B6.3, shorter for the B6.3D



:: Bag 10 - Step 7

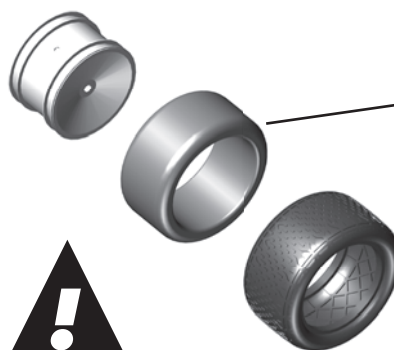


! Most carpet racing tires use "slim" width front wheels #91757, #91758!



Wheels / Tires and Inserts are not included!

Build x2



Wheels / Tires and Inserts are not included!



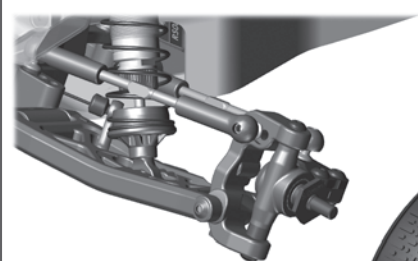
Carefully apply ca glue (tire adhesive) to the tire bead on the side. Do one side at a time, allowing it to dry before gluing the other side!

CA glue not included!



Build x2

:: Bag 10 - Step 8



91150 M4 Low Profile Serrated Steel Wheel Nuts

91150 M4 Low Profile Serrated Steel Wheel Nuts

Build 2 (1 left, 1 right)

Build 2 (1 left, 1 right)

:: Tuning Tips

Painting:

Your Kit comes with a clear polycarbonate body. You will need to prep the body before you can paint it. Wash the INSIDE thoroughly with warm water and liquid detergent (do not use any detergents with scents or added hand lotion ingredients!). Dry the body using a clean, soft, lint-free cloth. Use the supplied window masks to cover the windows from the INSIDE of the body (RC cars get painted on the inside). Using high quality masking tape, apply tape to the inside of the body to create a design. Spray (use either rattle can or airbrush) the paint on the inside of the body (preferably dark colors first, lighter colors last). NOTE: ONLY use paint that is recommended for (polycarbonate) plastics. If you do not, you can destroy the body! After the paint has completely dried (usually after 24 hours), cut the body along the trim lines. Make sure to drill or use a body reamer to make the holes for the antenna if needed! Use hook and loop tape to secure the body to the side rails of the vehicle.

Tips for Beginners:

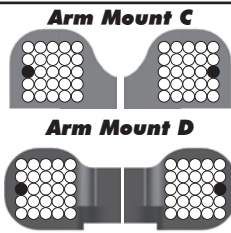
Before making any changes to the standard setup, make sure you can get around the track without crashing. Changes to your vehicle will not be beneficial if you can't stay on the track. Your goal is consistent laps. Once you can get around the track consistently, start tuning your vehicle. Make only ONE adjustment at a time, testing it before making another change. If the result of your adjustment is a faster lap, mark the change on the included setup sheet (make additional copies of the sheet before writing on it). If your adjustment results in a slower lap, revert back to the previous setup and try another change. When you are satisfied with your vehicle, fill in the setup sheet thoroughly and file it away. Use this as a guide for future track days or conditions. Periodically check all moving suspension parts. Suspension components must be kept clean and move freely without binding to prevent poor and/or inconsistent handling.

Rear Arm Mount Pill Insert Setup:

The aluminum rear arm mounts utilize eccentric pill inserts to make fine adjustments to anti-squat, toe, pin heights, and pin width. Adjustments can be made using the supplied inserts (#92014)

Standard Position

Use this position as a reference when changing pill locations.



Toe: 3°
Anti-squat: 1°
Roll Center: +0
Pivot Width: +0

Insert Hole Locations

Number indicates degree of change:
0.5°, 1.0°, 0° [center dot]

1 Hole 1.0° or 0.7mm from center

.5 Hole 0.5° or 0.35mm from center

. Hole 0° or 0.35mm from center

Anti-squat Angle

More angle = More anti-squat
Less angle = Less anti-squat
*Shown in 1° changes

C Mount	D Mount	Angle
		- 1°
		- 0°
		- 1°
		- 2°
		- 1°
		- 0°
		- 3°
		- 2°
		- 1°

Toe Angle

More angle = More toe in
Less angle = Less toe in
*Shown in 1° changes

C Mount	D Mount	Angle
		= 3°
		= 4°
		= 5°
		= 2°
		= 3°
		= 4°
		= 1°
		= 2°
		= 3°

Possible Insert Locations

Pin Width

More distance = wider pivot
Less distance = narrow pivot
*Note: For pin width -1.4mm, use 67mm CVA driveshafts

C Mount	D Mount	Distance
		= +1.4mm
		= +0.7mm
		= 0mm
		= -0.7mm
		= -1.4mm*

Pin Height

Higher pin = Higher roll center
Lower pin = lower roll center

C Mount	D Mount	Height
		= +0.7°mm
		= +0.35°mm
		= 0mm
		= -0.35°mm
		= -0.7°mm



For additional setup tips, please visit our website by using the link or QR code below.

https://www.teamassociated.com/pdf/cars_and_trucks/RC10B6/B6_B6D_Pill-Chart.pdf



:: Tuning Tips (cont.)

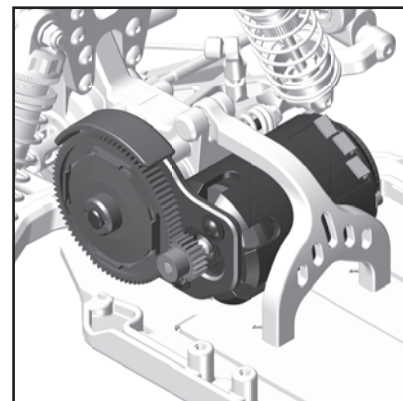
Motor Gearing:

Proper motor gearing will result in maximum performance and run time while reducing the chance of overheating and premature motor failure. The gear ratio chart lists recommended **starting gear ratios** for the most widely used motor types. Gear ratios will vary depending upon motor brand, wind, and electronic speed control. Consult your motor and electronic speed control manufacturers for more information.

Team Associated is not responsible for motor damage due to improper gearing.

B6 Gear Ratio Chart (Internal Gear Ratio 2.60:1)

Motor	Pinion	Spur	Final Drive Ratio
21.5 Reedy S-Plus Brushless	33	72	5.67:1
17.5 Reedy S-Plus Brushless	29	72	6.45:1
13.5 Reedy S-Plus Brushless	27	75	7.22:1
10.5 Reedy 540-M4 Brushless	24	78	8.45:1
9.5 Reedy 540-M4 Brushless	23	78	8.82:1
8.5 Reedy 540-M4 Brushless	22	78	9.22:1
7.5 Reedy 540-M4 Brushless	21	78	9.65:1
6.5 Reedy 540-M4 Brushless	20	78	10.14:1



Set The Gear Mesh:

You should be able to rock the spur gear back and forth in the teeth of the pinion gear without making the pinion gear move. If the spur gear mesh is tight, then loosen the #31532 screws and move the motor away, then try again. A gear mesh that is too tight or too loose will reduce power and damage the gear teeth.

Diff Height Adjustment:

The diff height adjustment is a good way to tune the car for grip level. On high grip with low ride heights, a higher diff height will be a good option. On lower grip with higher ride heights, a lower diff height will be better.

Gear Box Type:

Selecting the correct gear box is dependent on the type of track it will be used on. The optional 4 gear stand-up gear box is for the lowest grip conditions. This gear box moves the weight towards the rear of the car and also uses the rotation of the motor to transfer weight to the rear while on-power. The 3 gear stand-up gear box also moves the weight towards the rear of the car, but in this configuration, the motor's rotation helps with on-power steering. The lay-down gear box is used on high grip conditions when on-power steering and stability are most important. This gear box will change directions the quickest and generate the most steering. Layback is used for most indoor clay track conditions.

Slipper Clutch:

The assembly instructions give you a base setting for your clutch. Turn the nut on the shaft so that the end of the top shaft is even with the outside of the nut. At the track, tighten or loosen the nut in 1/8 turn increments until you hear a faint slipping sound for 1-2 feet on takeoffs. Another popular way to set the clutch is to hold both rear tires firmly in place and apply short bursts of throttle. If the clutch is properly set, the front tires should lift slightly up off the surface.

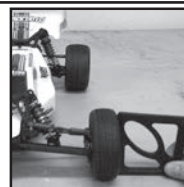
Caster:

Caster describes the angle of the caster block as it leans toward the rear of the vehicle. Positive caster means the kingpin leans rearward at the top. The kit includes three inserts to adjust caster angle at the caster block, 0°, 2.5°, and +5°. The total caster angle is the sum of the kick-up angle and the caster block angle. Standard total caster angle for the B6 is 30°, with 25° kick-up and +5° caster block angle.

For less entry steering and more exit steering, try 0° caster block angle.

Front Camber:

Camber describes the angle at which the tire and wheel rides when looked at from the front. Negative camber means that the tire leans inward at the top. A good starting camber setting is -1°. Positive camber, where the top of the tire is leaning out, is not recommended. Optional #1719 camber gauge can be used to more accurately set camber.



*Testing camber with camber gauge

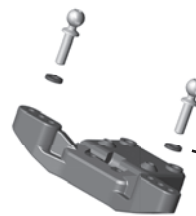
Rear Camber:


Camber describes the angle at which the tire and wheel rides when looked at from the back. Negative camber means that the tire leans inward at the top. A good starting camber setting is -1°. Adding a small amount of positive camber, where the top of the tire is leaning out, will tend to improve straight-line acceleration on loose tracks. Optional #1719 camber gauge can be used to more accurately set camber.

:: Tuning Tips

Front Camber Links:

Changing the length of the camber link is considered a bigger step than adjusting the ball end height on the tower. Shortening the camber link (or lowering the ball end) will give the front end less roll and quicken steering response. Lengthening the camber link (or raising the ball end) will give the front more roll and slower steering response. Longer camber links are typically used on high grip tracks and shorter links tend to work better on medium-grip loose tracks.




 *Raise or lower the ball end by adding or removing washers here

Rear Camber Link:

Changing the length of the camber link is considered a bigger step than adjusting the ball end height on the rear chassis brace. Shortening the camber link (or lowering the ball end) will give the rear end less roll and the car will tend to accelerate or "square up" better. Lengthening the camber link (or raising the ball end) will give the rear more roll and more cornering grip. Longer camber links are typically used on high grip tracks, while shorter links tend to work better on medium grip loose tracks. The kit setting is the best compromise of cornering grip and acceleration.



 *Raise or lower the ball end by adding or removing washers here

Ackermann:

Ackermann is the angle difference between the front wheels when they are turned to steer the car. For minimal tire slip, it is standard for the inside wheel to steer to a greater angle than the outside wheel. The kit allows Ackermann adjustments by changing the washer thickness used behind the steering rack ballstuds. The kit setup uses 2mm washers and is most common for racing conditions. If corner entry steering is too aggressive, try increasing the Ackermann by removing shims from behind the steering rack ballstuds. Increasing the Ackermann will increase the angle difference of the front wheels when steered, resulting in a more stable car on corner entry.

Kickup:

Kickup is the angle the front suspension arm mounts at where the front of the arm is higher than the rear. The standard kickup angle for the B6 is 25°, and is most common. If more corner entry steering is desired, try the included 30° front bulkhead.

Axle Height:

Axle height is used to keep roll centers similar when large ride height changes are made. As a rule of thumb, high axle heights are used for lower ride heights (< 20mm) and low axle heights are used for higher (> 22mm) ride heights. The idea is to keep the arms close to level at ride height.

Ride Height:


Ride height is the distance from the ground to the bottom of the chassis. The standard front ride height setting is 19mm (Ride Height Gauge # 1449). Check the front ride height by lifting up the entire car about 8-12 inches off the bench and dropping it. After the suspension "settles" into place, measure ride height (Ride Height Gauge # 1449). Raise or lower the shock collars as necessary.

The rear ride height setting you should use most often is 19mm (Ride Height Gauge # 1449). Check the rear ride height by lifting up the entire car about 8-12 inches off the bench and drop it. After the suspension "settles" into place, measure ride height (Ride Height Gauge # 1449). Raise or lower the shock collars as necessary.

Wheelbase Adjustment:

You have three options for rear hub spacing; forward, middle, & back. The kit setting of middle is the most neutral, and will be used most often. For improved handling in bumps or rhythm sections, try moving the hubs to the back position. Hub forward is typically used on low grip or where there are lots of tight corners.



 *Spacers to the rear will place hubs forward, shortening the wheelbase

Anti-Roll Bars:

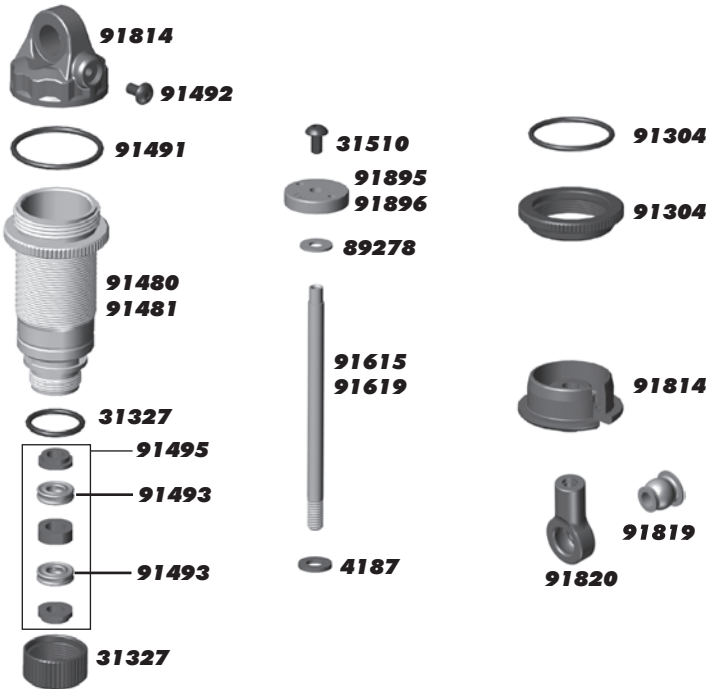
The anti-roll bar kits (also called the "swaybar") allows you to add roll resistance to the front and/or rear end with minimal effect on handling over bumps and jumps. It is an especially helpful tuning item on high-grip tracks.

Shock Mounting Position:

The rear shocks can be mounted on the front or rear of the rear suspension arm. Mounting the shocks on the front of the arm reduces rear weight bias. This causes the car to turn quicker and also steer more on-power. Usually this is used on high bite tracks in order to keep the car steering while applying throttle. Mounting the shocks on the rear of the arm increases rear weight bias and keeps the rear end planted while making the steering radius larger. This setting is typically easier to drive and will produce more rear traction.

:: Shocks

4187	.030 Nylon Washer	12
31327	VCS3 Shock Bottom Cap and O-Ring	2 ea.
31510	2x4mm BHCS	6
89278	2.5mm Washer	20
91304	12MM Threaded Collar and O-Ring	2
91480	12x23MM V2 Shock Bodies	2
91481	12x27.5MM V2 Shock Bodies	2
91491	12MM V2 Shock Rebuild Kit	1
91492	M2 x 4mm BHCS with Washer	2
91493	FT Low Friction X-Rings	8
91495	12 mm V2 X-Ring Rebuild Kit	1
91590	FT 23mm and 27.5mm FOX Shock Upgrade with Genuine Kashima Coat	2 ea.
91615	3 x 21mm Shock Shaft (V2), TiN	2
91619	3 x 27.5mm Shock Shaft (V2), TiN	2
91626	FT 12mm Pistons (V2), 2x1.6 mm, flat	4
91627	FT 12mm Pistons (V2), 2x1.7 mm, flat	4
91629	FT 12mm Pistons (V2), 2x1.8 mm, flat	4
91814	B6.1 Shock Caps/Spring Cups	4 ea.
91819	B6.1 Shock Pivot Balls	4
91820	B6.1 Ball Ends	1
91895	FT 12mm V2 Piston, 2mm [2x1.5]	4
91896	FT 12mm V2 Piston, 2mm [2x1.6]	4
91897	FT 12mm V2 Piston, 2mm [2x1.7]	4



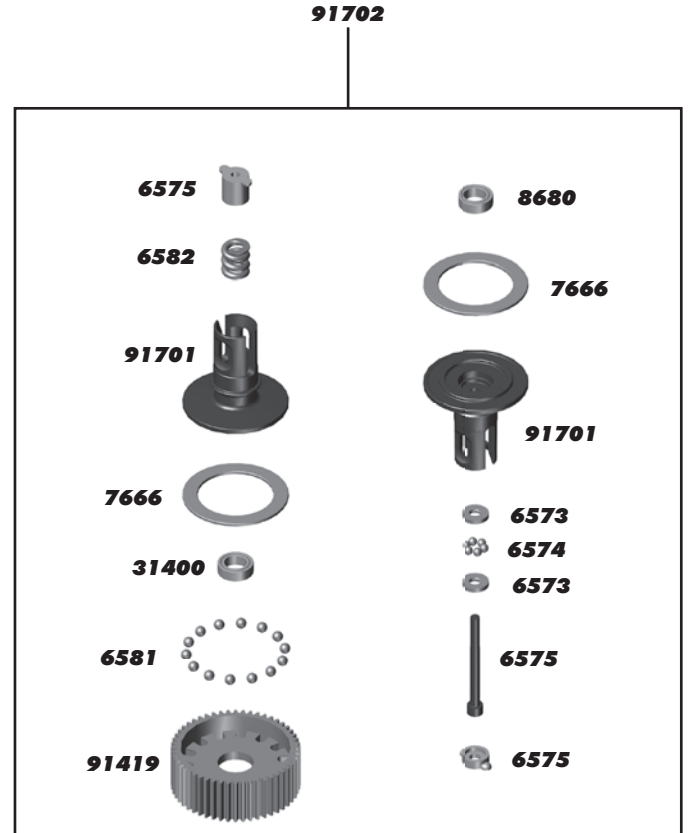
:: Shock Springs

91328	V1 Front Shock Spring, White 3.30lbs	Pr.
91329	V1 Front Shock Spring, Gray 3.45lbs	Pr.
91336	V1 Rear Shock Spring, Green 2.00lbs	Pr.
91337	V1 Rear Shock Spring, White 2.10lbs	Pr.
91830	Front Shock Spring, Green 3.10lbs	Pr.
91831	Front Shock Spring, White 3.40lbs	Pr.
91832	Front Shock Spring, Gray 3.61lbs	Pr.
91833	Front Shock Spring, Blue 3.91lbs	Pr.
91834	Front Shock Spring, Yellow 4.30lbs	Pr.
91835	Front Shock Spring, Red 4.60lbs - KIT	Pr.
91836	Front Shock Spring, Orange 5.10lbs	Pr.
91837	Rear Shock Spring, Green 1.81lbs	Pr.
91838	Rear Shock Spring, White 1.91lbs	Pr.
91839	Rear Shock Spring, Gray 2.00lbs	Pr.
91840	Rear Shock Spring, Blue 2.20lbs - KIT	Pr.
91841	Rear Shock Spring, Yellow 2.30lbs	Pr.



:: Ball Differential

1733	Diff Shims	8
6573	Diff Thrust Washer & Bolt	2
6574	Precision Diff Thrust Balls, 5/64"	6
6575	Locking T-Nut, Diff Thrust Bolt, & Cover	1
6576	FT Precision Ground Diff Drive Rings	2
6581	3/32" Carbide Diff Balls	12
6582	Diff Thrust Spring	1
7666	Diff Drive Rings, 2.60:1	2
7677	Ball Diff Rebuild Kit	1
8680	FT Bearing, 5 x 8mm	4
91419	Diff Gear, B5	1
91701	Ball Diff Outdrive, B6	1 ea.
91702	Ball Diff Kit, B6	1



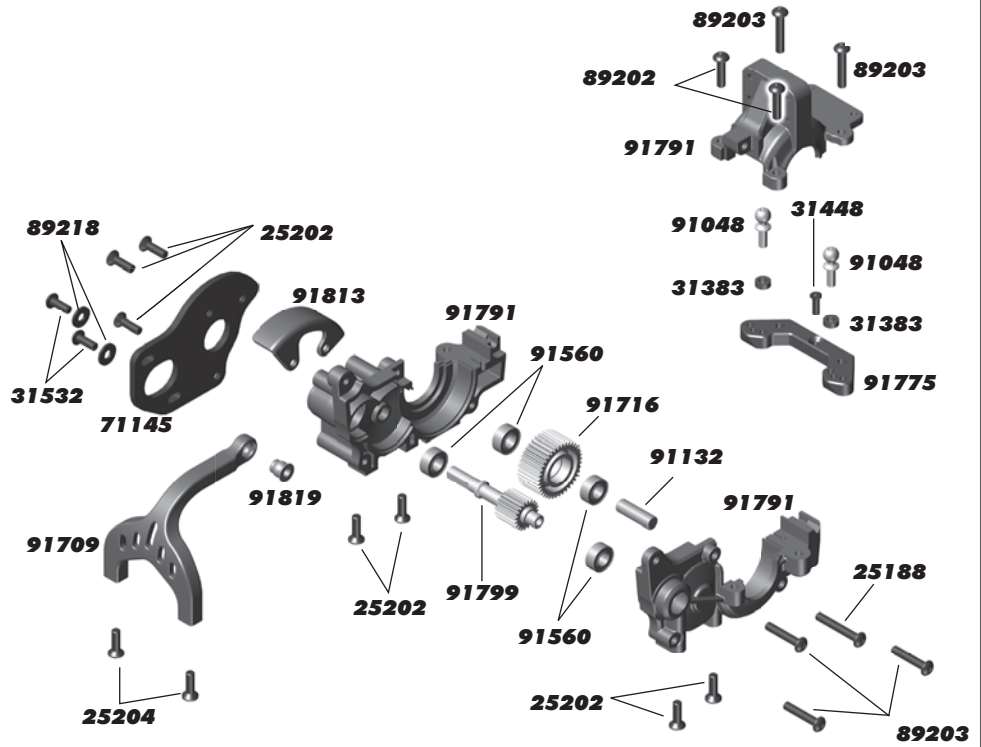
:: Shock Fluid

5420	10 Weight Silicone Shock Fluid	2oz.
5421	20 Weight Silicone Shock Fluid	2oz.
5422	30 Weight Silicone Shock Fluid	2oz.
5423	40 Weight Silicone Shock Fluid	2oz.
5424	22.5 Weight Silicone Shock Fluid	2oz.
5425	80 Weight Silicone Shock Fluid	2oz.
5426	27.5 Weight Silicone Shock Fluid	2oz.
5427	15 Weight Silicone Shock Fluid	2oz.
5428	25 Weight Silicone Shock Fluid	2oz.
5429	35 Weight Silicone Shock Fluid	2oz.
5430	45 Weight Silicone Shock Fluid	2oz.
5431	55 Weight Silicone Shock Fluid	2oz.
5432	32.5 Weight Silicone Shock Fluid	2oz.
5433	37.5 Weight Silicone Shock Fluid	2oz.
5434	42.5 Weight Silicone Shock Fluid	2oz.
5435	50 Weight Silicone Shock Fluid	2oz.
5436	60 Weight Silicone Shock Fluid	2oz.
5437	70 Weight Silicone Shock Fluid	2oz.
5438	47.5 Weight Silicone Shock Fluid	2oz.



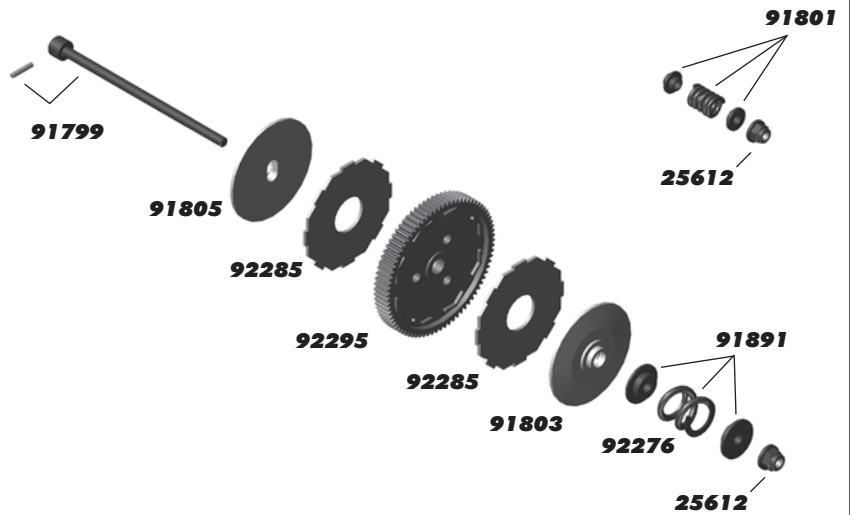
:: Transmission

25188	M3 x 20mm BHCS	10
25202	M3 x 10mm FHCS	10
25204	M3 x 16mm FHCS	10
31383	Ballstud Washers, 5.5x2.0 mm, blue aluminum	10
31448	M2.5 x 8mm FHCS	10
31532	M3 x 8mm BHCS	10
71145	T6.2 Laydown Motor Plate, Blue	1
89202	M3 x 12mm BHCS	10
89203	M3 x 16mm BHCS	10
89218	M3 x 8mm Washers	10
91048	Heavy-duty Ballstuds, 8 mm	10
91132	4x4 FT Idler Shafts, aluminum	2
91560	FT Bearings, 5x10x4 mm	4
91709	B6 Chassis Braces	1 ea.
91716	B6 Idler Gear, 39T, laydown	2
91775	B6.1 Rear Ballstud Mount	1
91791	B6.1 Laydown Gearbox	1
91795	B6.1 Laydown Motor Plate	1
91796	FT Laydown Motor Plate, Carbon Fiber	1
91799	B6.1 Laydown Top Shaft	1
91813	B6.1 Gear Cover	1
91819	B6.1 Shock Pivot Balls	4



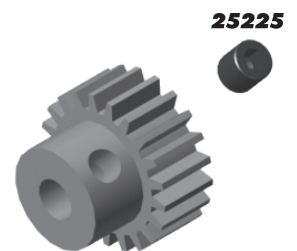
:: Slipper Clutch

25612	M3 Locknuts, Flanged	10
91799	B6.1 Laydown Top Shaft	1
91801	B6.1 Slipper Spring and Adaptors	1
91803	B6.1 Slipper Hub, Inner	1
91804	B6.1 Slipper Hub, Outer	1
91805	B6.1 HTC Slipper Hub Outer	1
91891	HD Slipper Spring Adapter	2
92276	B74.1 Slipper Spring, 500lb/in	1
92285	Octalock LCF Slipper Pad, 11mm	1
92293	Octalock Spur Gear (72T, 48P)	1
92294	Octalock Spur Gear (75T, 48P)	1
92295	Octalock Spur Gear (78T, 48P)	1
92296	Octalock Spur Gear (81T, 48P)	1



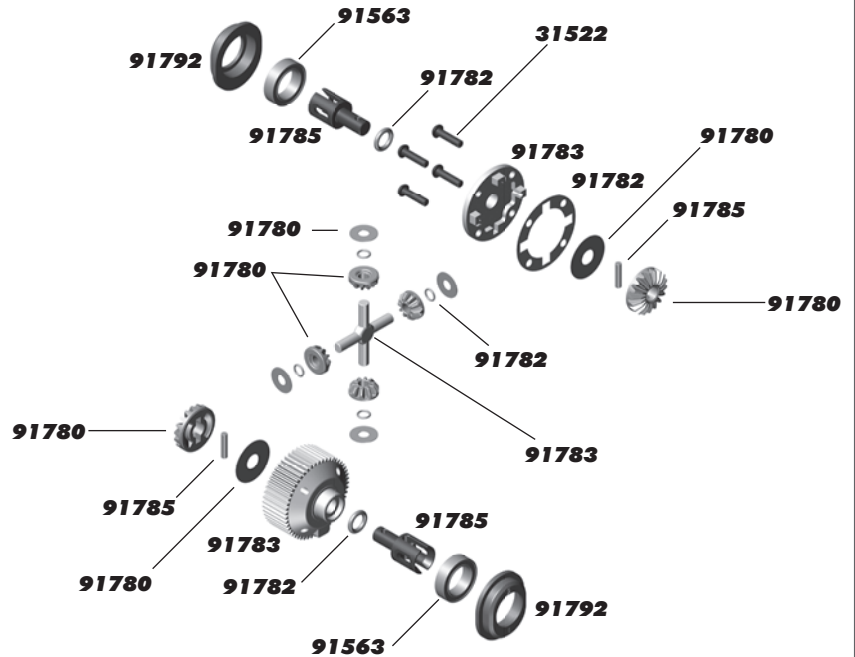
:: Pinion Gears

1335	17T 48P Aluminum Pinion Gear	1	1349	31T 48P Aluminum Pinion Gear	1
1336	18T 48P Aluminum Pinion Gear	1	1350	32T 48P Aluminum Pinion Gear	1
1337	19T 48P Aluminum Pinion Gear	1	1351	33T 48P Aluminum Pinion Gear	1
1338	20T 48P Aluminum Pinion Gear	1	1352	34T 48P Aluminum Pinion Gear	1
1339	21T 48P Aluminum Pinion Gear	1	25225	M3 x 3mm Set Screw	20
1340	22T 48P Aluminum Pinion Gear	1			
1341	23T 48P Aluminum Pinion Gear	1			
1342	24T 48P Aluminum Pinion Gear	1			
1343	25T 48P Aluminum Pinion Gear	1			
1344	26T 48P Aluminum Pinion Gear	1			
1345	27T 48P Aluminum Pinion Gear	1			
1346	28T 48P Aluminum Pinion Gear	1			
1347	29T 48P Aluminum Pinion Gear	1			
1348	30T 48P Aluminum Pinion Gear	1			



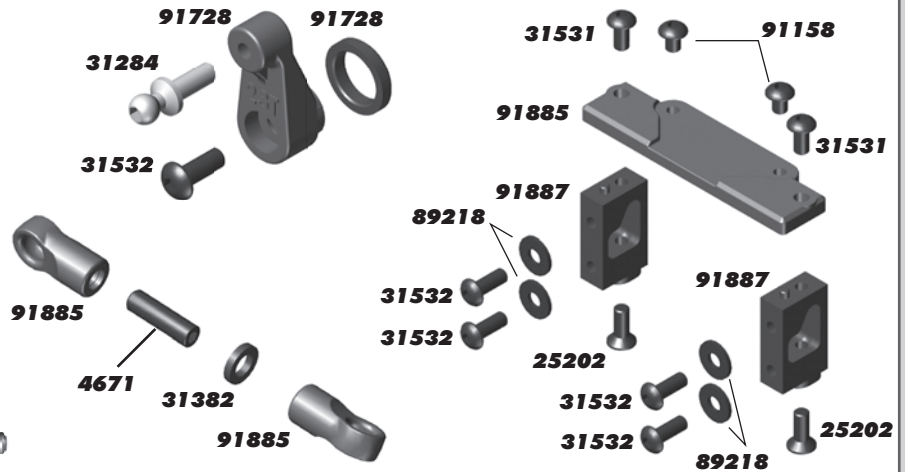
:: Gear Differential

31522	M2.5 x 10mm BHCS	10
91563	FT Bearings, 10x15x4 mm	4
91780	B6.1 Gear Differential Rebuild	1
91782	B6.1 Gear Differential Seals	1
91783	B6.1 Gear Differential Case	1
91784	B6.1 Aluminum Cross Pins	2
91785	B6.1 Gear Differential Outdrives	2
91786	B6.1 Gear Differential	1
91792	B6.1 Differential Height Inserts	2 ea.
5451	Silicone Diff Fluid 2,000CST	1
5452	Silicone Diff Fluid 3,000CST	1
5444	Silicone Diff Fluid 4,000CST	1
5453	Silicone Diff Fluid 5,000CST	1
5446	Silicone Diff Fluid 6,000CST	1
5454	Silicone Diff Fluid 7,000CST	1
5455	Silicone Diff Fluid 10,000CST	1
5466	Silicone Diff Fluid 15,000CST	1
5456	Silicone Diff Fluid 20,000CST	1
5457	Silicone Diff Fluid 30,000CST	1
5458	Silicone Diff Fluid 60,000CST	1
5448	Silicone Diff Fluid 80,000CST	1
5459	Silicone Diff Fluid 100,000CST	1
5461	Silicone Diff Fluid 200,000CST	1
5463	Silicone Diff Fluid 500,000CST	1
5465	Silicone Diff Fluid 1,000,000CST	1



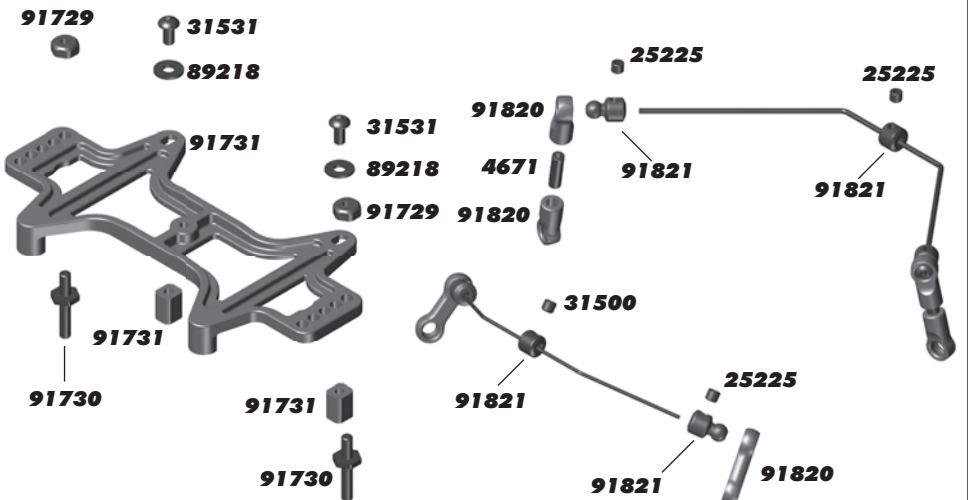
:: Turnbuckles and Servo Mounts

4671	M3 x 10mm Set Screw	6
25202	M3 x 10mm FHCS	10
25211	M3 x 10mm BHCS	20
31284	Ball Studs Long, 8mm	6
31382	FT Ballstud Washer, aluminum 1mm	10
31531	M3 x 6mm BHCS	10
31532	M3 x 8mm BHCS	6
89218	M3 x 8mm Washers	10
91158	M3 x 4mm BHCS	10
91722	Ball Cups, B6	12
91723	3 x 48mm Turnbuckle	2
91728	B6 Servo Horns, 15.5 mm	1
91885	B6.3 Steering Rod Ends	1
91887	B6.3 Servo Mount and Brace	1



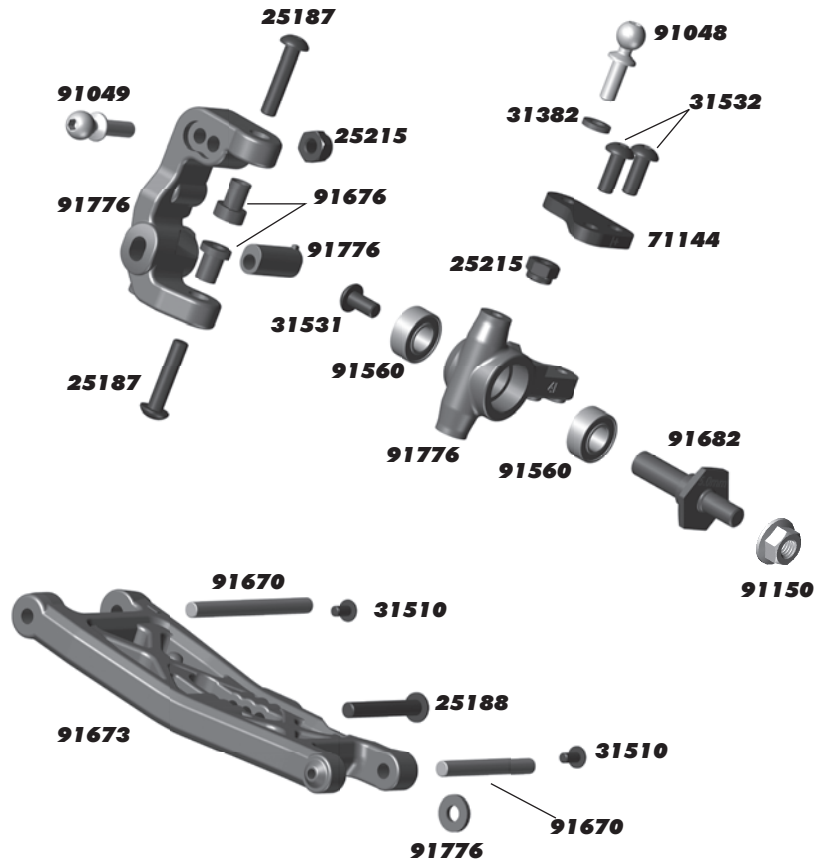
:: Anti-Roll Bars / Battery Strap

25225	M3x3mm Set Screw	10
31500	M3x2.5mm Set Screw	10
31531	M3 x 6mm BHCS	20
89218	3 x 8mm Washers	10
91729	Thumb Screw, B6	2
91730	Battery Strap Shoulder Screw	2
91731	Battery Strap, B6	1
91820	B6.1 Ball Ends	1
91821	B6.1 Anti-Roll Bar Hardware	1
91822	B6.1 FT Front Anti-Roll Bar Set	1
91823	B6.1 FT Rear Anti-Roll Bar Set	1



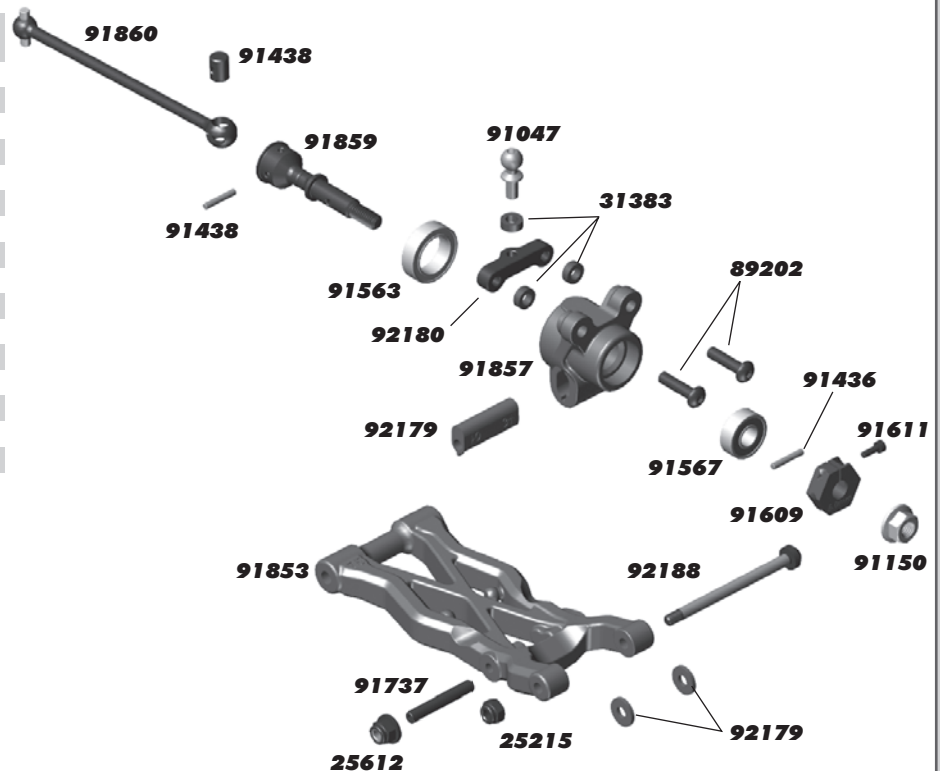
:: Front Arm

25187	M3 x 14mm BHCS	10
25188	M3 x 20mm BHCS	10
25215	M3 Locknut, Black	10
31382	FT Ballstud Washer, aluminum 1mm	10
31510	M2 x 4mm BHCS	6
31531	M3 x 6mm, BHCS	6
31532	M3 x 8mm, BHCS	6
71144	T6.2 Steering Block Arms, C.F. (+1)	2
91048	Heavy-duty Ballstud, 8mm	8
91049	Heavy-duty Ballstud, 10mm	8
91150	M4 L. P. Serrated Steel Wheel Nuts	10
91560	FT Bearing, 5 x 10 x 4	4
91670	Hinge Pin Set, B6	1
91673	Front Arm, Gull-Wing, B6	2
91676	B6 Caster Hat Bushings	2 ea.
91682	Front Axle, B6	2
91776	B6.1 Caster/Steering Blocks	1



:: Rear Arm

25187	M3 x 14mm BHCS	10
25215	M3 Locknut, Black	10
25612	Locknuts, M3, flanged, black	10
31383	Ballstud Washers, 5.5x3.0x2.0mm, Blue Aluminum	10
89202	M3x12mm BHCS	10
91047	Heavy-duty Ballstud, 6mm	10
91150	M4 L. P. Serrated Steel Wheel Nuts	10
91436	CVA/Wheel Hex Pin, B5	4
91438	CVA Rebuild Kit, B5	1
91563	FT Bearing, 10 x 15 x 4	4
91567	FT Bearing, 5 x 12 x 4	4
91609	FT Clamping Wheel Hexes, 5.0mm	2
91611	M1.6 x 8mm SHCS	4
91737	M3 x 20mm Set Screw	6
91853	B6.2 Rear Arms, 73mm	Pr.
91857	B6.2 Rear Hubs	2
91859	B6.2 CVA Axle, +2mm	2
91860	B6.2 CVA Bone, 69mm	2
92179	B6.2 Rear Hub Inserts and Spacers	1
92180	B74 Rear Hub Link Mount	2
92188	B74 Rear Hub Hinge Pin	2



:: Factory Team and Option Parts

1369	FT Alum. Clamping Servo Horn 23T, 15.5 mm	1
1370	FT Alum. Clamping Servo Horn 25T, 15.5 mm	1
1405	Turnbuckles, 3x48 mm/1.89 in	2
6576	FT Ground Diff Drive Rings, for 2.60:1 ball diff	2
27128	Servo Washers, Black Aluminum	4
71034	FT Clamping Wheel Hexes, 6.0 mm	2
91494	FT 12mm Machined Shock Spacers, V2	1
91495	12mm V2 X-Ring Rebuild Kit	1
91553	Factory Team Bearing Kit, B5, B6	1
91588	Titanium Screws, 3x22mm BHCS	4
91589	Titanium Screws, 3x24mm BHCS	4
91591	Titanium Screws, 3x6mm FHCS	4
91596	Titanium Screws, 3x16mm FHCS	4
91597	Titanium Screws, 3x18mm FHCS	4
91609	Clamping Wheel Hex, (5.0mm)	2
91625	FT 12 mm Pistons V2, 2x1.5 mm, flat	4
91626	FT 12 mm Pistons V2, 2x1.6 mm, flat	4
91627	FT 12 mm Pistons V2, 2x1.7 mm, flat	4
91628	FT 12 mm Pistons V2, 3x1.4 mm, flat	4
91658	RC10B6 Aluminum Front Bulkhead	1
91659	RC10B6 Brass Front Bulkhead	1
91668	RC10B6 Aluminum Steering Bell Crank	1
91669	RC10B6 Aluminum Steering Rack	1
91672	RC10B6 Flat Front Arm, Hard	Pr.
91673	RC10B6 Gull Front Arm - Req. #91663	Pr.
91680	B6 FT Steering Block Arms, +1	Pr.
91681	B6 Caster Block Hat Bushings, 0.5, 1.5, 2.5mm	2 ea.
91683	RC10B6 Titanium Front Axle	2
91699	FT Aluminum Rear hub Link	2
91727	B6.1 FT Titanium Turnbuckle Set, 3x48 mm/1.875 in, silver	1
91744	FT Brass Under Battery Weights	1
91745	RC10B6 Aluminum Chassis Weight (9g)	1
91746	RC10B6 Aluminum Chassis Weight (13g)	1
91747	RC10B6 Steel Chassis Weight (24g)	1
91748	RC10B6 Steel Chassis Weight (36g)	1
91749	M2 x 3mm FHCS - Use with Chassis Weights	6
91750	HD Titanium Ball Stud, 4mm	2
91751	HD Titanium Ball Stud, 6mm	2
91752	HD Titanium Ball Stud, 8mm	2
91753	HD Titanium Ball Stud, 10mm	2
91754	FT Graphite ESC Plate	1
91761	FT Graphite Servo Plate	1
91781	B6.1 Gear Diff Cover, aluminum	1
91784	B6.1 Aluminum Cross Pins	2
91786	B6.1 Gear Diff Kit	1
91788	B6.1 Standup Gearbox Req. #91794	1
91790	B6.1 Layback Gearbox	1
91793	B6.1 Alum. Differential Height Inserts, black	2 Pr.
91795	B6.1 Laydown/Layback Motor Plate, blue alum.	1
91796	FT Laydown/Layback Motor Plate, graphite	1
91797	Titanium Top Shaft Screw	1
91798	B6.1 Standup Top Shaft	1
91799	B6.1 Laydown Top Shaft	1
91800	B6.1 Direct Drive Kit	1
91801	B6.1 Slipper Spring	1
91802	B6.1 Vented Slipper Hub, (inner)	1
91806	B6.1 Vented Slipper Hub, outer	1
91807	B6.1 HTC Vented Slipper Hub, outer & center disk	1
91821	B6.1 Anti-Roll Bar Hardware Set	1
91822	B6.1 Front Anti-Roll Bar Set (Soft) 0.8, 0.9, 1.0	1
91823	B6.1 Rear Anti-Roll Bar Set (Med) 1.2, 1.3, 1.4	1
91825	B6.1/B6.1D FT Chassis Protective Sheet	1
91854	RC10B6.2 Rear Suspension Arms, 73mm, Hard	2
91858	B6.2 CVA Axles	2
91862	B6.2 Clamping Wheel Hexes, 4.0mm	1
91868	B6.2 FT Bearing Set	2
91870	B6.2 Chassis Protective Sheet (+3)	1
91877	B6.2 Aluminum Rear Hubs, Blue	Pr.
91878	B6.2 Aluminum Rear Hubs, Black	Pr.
91880	B6.3 Carbon Fiber Front Tower	1
91888	B6.2 FT Rear Ballstud Mount +2mm, Blue	1
91889	B6.2 FT Rear Ballstud Mount +2mm, Black	1
91890	B6.2 FT Servo Mount Set, Side Rail Mount	1

:: Factory Team and Option Parts Cont...

91898	B6 FT Bulkhead, 25 deg, 30 deg, steel	1
91899	B6 FT Bulkhead, 20 deg, steel	1
91894	B6.3 FT Carbon Fiber Servo Mount Brace	1
91902	B6.3 Carbon Fiber Steering Plates HT+1	1
91903	B6.3 FT Wing Mount Brace Set, aluminum	1
91904	B6.3 HD Spring Adapters, Carbon Fiber	1
91905	B6 FT Alum. Battery Strap Shoulder Screw, Blue	2
91906	B6.3 Brass Arm Mount [C]	1
91907	FT Laydown/Layback Motor Plate, 3.5mm, blue	1
91908	FT Laydown/Layback Motor Plate, 3.5mm, black	1
91909	12mm Shock Collar and Seal Retainer Set, black	1
91910	B6 FT Steering Arm, carbon fiber	1
92100	FT Aluminum Wing Buttons	2
92011	B6 Arm Mount Inserts, 1/0.5	8
92185	B74 FT Graphite Rear Hub Link Shim Set	1

:: Bodies, Wings, and Decals

91741	RC10B6 Wing	1
91743	Adhesive Hook and Loop	1
91863	RC10B6.2 Clear Body	1
91864	RC10B6.2 Lightweight Clear Body	1
91866	RC10B6.2 Front Wing Clear	2
91900	RC10B6.3 Decal Sheet	1

:: Lubes & Adhesives / Decals / Misc.

1105	FT Green Slime Shock Lube	1
1596	FT Locking Adhesive	1
1597	FT Tire Adhesive, medium	1
6588	Black Grease - 4cc	1
6591	S.Diff Lube - 4cc	1
6636	Silicone Grease - 4cc	1
6727	Servo Tape	2

DECALS

727	Reedy 2020 Decal Sheet	1
-----	------------------------	---



:: MyLaps Transponders

MLP10R120	MyLaps RC4 (3-wire) Transponder	1
MLP10R147	MyLaps RC4 (3-wire) Pro Transponder, Black	1
MLP40R222	MyLaps Transponder Holder	1

:: Reedy Batteries

302	AA Alkaline 1.5V (4)	1
758	Wolfpack LiPo 3000mAh 30C 7.4V w/T-Plug	1
27313	LiPo Pro TX/RX 2400mAh 7.4V Flat	1
27315	LiFe Pro TX/RX 1600mAh 6.6V Flat	1
27318	Wolfpack HV LiPo 50C 4200mAh 7.6V Shorty	1
27363	Zappers SG4 6100mAh 85C 7.6V Shorty	1
27364	Zappers SG4 4800mAh 115C 7.6V Shorty	1
27365	Zappers SG4 4100mAh 85C 7.6V LP Shorty	1
27366	Zappers SG4 3600mAh 115C 7.6V LP Shorty	1

:: Reedy Competition Motors & Spare Parts

293	Sonic 540 FT 17.5 Fixed Timing	1
294	Sonic 540 FT 13.5 Fixed Timing	1
295	Sonic 540-FT Spec Rotor 12.0 x 7.25 x 25.3	1
297	Sonic 540 FT 21.5 Fixed Timing	1
27400	S-Plus 25.5 Spec	1
27401	S-Plus 21.5 Spec	1
27402	S-Plus 17.5 Spec	1
27403	S-Plus 13.5 Spec	1
27404	S-Plus 10.5 Spec - Torque	1
27417	S-Plus Screw Set	1
27418	540-M3/S-Plus Lightweight Sensor Board	1
27420	540-M3/S-Plus Aluminum Case Screw Set	1
27421	540-M3/S-Plus Aluminum Timing Screw Set	1
27428	S-Plus 21.5 Spec - Torque	1
27429	S-Plus 17.5 Spec - Torque	1
27435	Sonic 540-M4 Modified Motor 21.5	1
27436	Sonic 540-M4 Modified Motor 17.5	1
27437	Sonic 540-M4 Modified Motor 13.5	1
27438	Sonic 540-M4 Modified Motor 9.5	1
27439	Sonic 540-M4 Modified Motor 8.5	1
27440	Sonic 540-M4 Modified Motor 8.0	1
27441	Sonic 540-M4 Modified Motor 7.5	1
27442	Sonic 540-M4 Modified Motor 7.0	1
27443	Sonic 540-M4 Modified Motor 6.5 1/12	1
27444	Sonic 540-M4 Modified Motor 6.5	1
27445	Sonic 540-M4 Modified Motor 6.0	1
27446	Sonic 540-M4 Modified Motor 5.5	1
27447	540-M4 Mod Rotor 12.5 x 7.25 x 25.3	1
27448	540-M4 Mod Rotor 12.5 x 5.0 x 25.3	1
27449	540-M4 Mod Rotor 13.0 x 5.0 x 25.3	1
27450	540-M4 Mod Rotor 12.0 x 5.0 x 25.3	1
27451	Sonic 540-M4 Modified Motor 5.0	1
27452	Sonic 540-M4 Modified Motor 4.5	1
27453	Sonic 540-M4 Modified Motor 4.0	1
27454	Sonic 540-M4 Modified Motor 3.5	1
27455	540-M4 Sensor Board	1
27456	540-M4 Ball Bearing Set	1
27459	Sonic 540-M4 Modified Motor 10.5	1
27460	540-M4 Mod Rotor 12.3 x 5.0 x 25.3	1

:: Reedy Competition Motors Accessories

978	Flat Sensor Wire 70mm	1
979	Flat Sensor Wire 110mm	1
980	Flat Sensor Wire 150mm	1
981	Flat Sensor Wire 200mm	1
982	Flat Sensor Wire 270mm	1
994	Flat Sensor Wire 125mm	1
995	Flat Sensor Wire 175mm	1
27423	30mm Motor Fan w/195mm extension	1
27457	30mm Aluminum Motor Fan w/195mm extension	1
27458	40mm Aluminum Motor Fan w/195mm extension	1

:: Reedy ESC's

27004	Blackbox 510R Competition ESC	1
27005	Blackbox 510R Competition ESC w/PROgrammer2	1
27007	Blackbox 850R Competition 1/8 ESC	1
27008	Blackbox 850R Competition 1/8 ESC w/Programmer	1
27012	Blackbox 600Z-G2 Zero-Timing Competition ESC	1
27027	Blackbox PROgrammer2	1
27028	Blackbox 30x30x7mm Fan w/screws	1
27029	Blackbox Pro Modified Capacitor Unit	1
27030	Blackbox ESC/Programmer2 Connection Wire	1
27031	Blackbox 510R 30x30x10mm Fan w/screws	1
27033	Blackbox 1000Z+ Pro Competition ESC	1
27036	Reedy CF Fan Guard (30x30mm)	1

:: Reedy Chargers / Charger Accessories

27201	324-S AC LiPo/LiFe Compact Balance Charger	1
27202	123-S AC LiPo Compact Balance Charger	1
27203	1416-C2L Dual AC/DC Competition Battery Charger	1
27220	Reedy 7-in-1 Universal Charge Lead (4mm)	1
27221	Reedy T-plug Charge Lead (4mm)	1
27222	Reedy XH 2-6S Balance Board (4mm)	1
27223	Reedy RX Charger Lead FUT (4mm)	1
27224	Reedy US to IEC 320 C5 angle 1M AC Power Cord	1
27226	Reedy EU to IEC 320 C5 angle 1M AC Power Cord	1
27233	Reedy 1-2S 4mm/5mm Pro Charge Lead	1
27234	Reedy 4S 5mm Pro Charge Lead	1
27235	Reedy 2S RX/TX Pro Charge Lead	1
27236	Reedy 2S-4S T-plug Pro Charge Lead	1
27237	Reedy 2S-4S XT60 Pro Charge Lead	1

:: Reedy Servos & Accessories

27100	RS1206 Digital HV Hi-Speed Competition Servo	1
27101	RT1508 Digital HV Hi-Torque Competition Servo	1
27102	RS1206 Case Set w/screws	1
27103	RS1206 Gear Set	1
27105	RT1508 Gear Set	1
27107	RT2207A Digital HV Aluminum Hi-Torque Comp. Servo	1
27109	RT1408 Digital HV Low-Profile Hi-Torque Comp. Servo	1
27110	0712MG Digital RTR Servo	1
27111	1514MG Digital RTR Servo	1
27117	RT3507A Digital HV Aluminum Brushless Servo	1
27118	RS3005A Digital HV Aluminum Brushless Servo	1
27119	RT1705A Digital HV Aluminum Brushless LP Servo	1
27121	RT2207A Gear Set	1
27128	RT1408 Gear Set	1
27129	0712MG Gear Set	1
27130	1514MG Gear Set	1
27146	RT3507A Gear Set	1
27147	RS3005A Gear Set	1
27148	RT1705A Gear Set	1

:: Reedy Accessories

643	Low Profile Bullet Plug 4mm x 14mm (2)	1
644	Low Profile Bullet Plug 4mm x 14mm (10)	1
645	Low Profile Bullet Plug 5mm x 14mm (2)	1
646	Low Profile Bullet Plug 5mm x 14mm (10)	1
647	Silicone Wire 12AWG-Black (1m)	1
648	Silicone Wire 14AWG-Black (1m)	1
650	Shrink Tubing - 15pcs 4.5mm x 20mm	1
747	Silicone Wire 12AWG-Black (30m)	1
790	Silicone Wire 13AWG-Black (1m)	1
791	Silicone Wire 13AWG-Black (30m)	1
792	Low Profile Caged Bullet Plug 4mm x 14mm (2)	1
794	Low Profile Caged Bullet Plug 5mm x 14mm (2)	1
27304	LiPo Battery Weight Set - Shorty	1
27355	Shorty Battery Weight Set - 20g, 34g, 50g	1

:: Apparel / Promotional**TEE SHIRTS**

SP124*	AE 2017 Worlds Tee, Black (S, M, L, XL-5XL)	1
SP126*	Team Associated Tri T-Shirt, Black (S, M, L, XL-5XL)	1
SP140*	Reedy Heritage Tee, Black (S, M, L, XL-5XL)	1
SP200*	Element RC Logo Tee, Gray (S, M, L, XL-5XL)	1
SP201*	Element RC Rhombus Tee, Black (S, M, L, XL-5XL)	1
97000	Reedy S20 T-Shirt S	1
97001	Reedy S20 T-Shirt M	1
97002	Reedy S20 T-Shirt L	1
97003	Reedy S20 T-Shirt XL	1
97004	Reedy S20 T-Shirt XXL	1
97005	Reedy S20 T-Shirt XXXL	1

HOODIES/JACKETS

SP142*	Reedy W19 Hoodie - Black (S, M, L, XL-3XL)	1
SP230*	Element RC Zip Up, Black (S, M, L, XL-5XL)	1
SP231*	Element RC Hoodie, Black (S, M, L, XL-5XL)	1
SP250*	Element RC Jacket, Black (S, M, L, XL-2XL)	1
97012	Reedy W20 Pullover - Black S	1
97013	Reedy W20 Pullover - Black M	1
97014	Reedy W20 Pullover - Black L	1
97015	Reedy W20 Pullover - Black XL	1
97016	Reedy W20 Pullover - Black XXL	1
97017	Reedy W20 Pullover - Black XXXL	1

HATS

SP20	AE Patch Trucker Hat	1
SP430	Reedy Trucker Hat 2018	1
SP260	Element RC Hat, Curved Bill, Black	1
SP261	Element RC Hat, Flat Bill, Black	1
SP262	Element RC Beanie, Black	1

BANNERS/MATS/CARRIERS

SP29	Team Associated Countertop/Setup Mat	1
SP30	Team Associated Pit Mat	1
SP31	Reedy Countertop/Setup Mat	1
SP115	Reedy Circuit Cloth Banner	1
SP116	Reedy Power Vinyl Banner, 48x24	1
SP117	Reedy Power Cloth Banner, 96x24	1
SP118	Reedy Power Cloth Banner, 48x24	1
SP280	Element RC Counter Top Mat	1
SP281	Element RC Pit Mat	1
SP282	Element RC Pit Towel	1
SP425	FT Fluid Carrier	1
SP426	Team Associated Countertop / Setup Mat	1
SP439	Reedy Countertop / Setup Mat	1

** Use part number plus the desired size when ordering!

:: Tools

1111	FT Turnbuckle Wrench	1
1112	FT 4mm Turnbuckle Wrench	1
1114	FT Dual Turnbuckle Wrench	1
1452	FT TC Ride Height Gauge	1
1498	FT Universal Tire Balancer	1
1499	FT Body Reamer	1
1500	FT 1.5mm Hex Driver	1
1501	FT 2.0mm Hex Driver	1
1502	FT 2.0mm Ball Hex Driver	1
1503	FT 2.5mm Hex Driver	1
1504	FT 2.5mm Ball Hex Driver	1
1505	FT 3.0mm Hex Driver	1
1506	FT 5.0mm Hex Driver	1
1507	FT 5.5mm Nut Driver	1
1508	FT 7.0mm Nut Driver	1
1510	FT 1.5mm Hex Replacement Tip	1
1511	FT 2.0mm Hex Replacement Tip	1
1512	FT 2.0mm Ball Replacement Tip	1
1513	FT 2.5mm Hex Replacement Tip	1
1514	FT 2.5mm Ball Replacement Tip	1
1515	FT 3.0mm Hex Replacement Tip	1
1518	FT Hex Driver Tool Set (3pcs)	1
1519	FT Hex/Nut Driver Tool Set (5pc)	1
1522	FT Digital Scale, 100/0.01g	1
1555	FT Clutch Gauge, 4 Shoe	1
1568	FT 5.5mm Short Nut Driver	1
1569	FT 7mm Nut Driver, T-Handle	1
1570	FT 5.5mm Short Nut Driver	1
1571	FT 1:8 Wheel Nut Wrench, 17mm Hex	1
1579	FT Ball Cup Wrench	1
1595	Chassis Weights, 1/4 oz	1
1650	7 Piece Hex Driver Set	1
1657	FT 1/4" Hex Drive .050" Tip	1
1659	FT 1/4" Hex Drive 5/64" - 2.0mm Tip	1
1661	FT 1/4" Hex Drive 1.5mm Tip	1
1662	FT 1/4" Hex Drive 2.5mm Tip	1
1666	FT 1/4" Hex Drive 5.5mm Nut Driver Tip	1
1667	FT 1/4" Hex Drive 7.0mm Nut Driver Tip	1
1668	FT 1/4" Hex Drive 8.0mm Nut Driver Tip	1
1674	FT 1/4" 5 Piece Power Tool Tips Set (5/64-2.0mm, 1.5mm, 2.5mm, 5/64"- 2.0mm ball, 2.5mm ball)	1
1679	FT T-Handle Ratchet Driver	1
1737	FT Body Scissors	1
3987	FT Droop Gauge	1
89240	RC8 FT Turnbuckle Wrench	1

:: Contact Information

Check out the following web sites for all of our electric kits, current products, new releases, setup help, tips, and racing info!

Associated Electrics, Inc.

21062 Bake Parkway

Lake Forest, CA 92630-8853 USA

<http://www.TeamAssociated.com>

<http://www.RC10.com>

http://twitter/Team_Associated

<http://www.instagram.com/teamassociatedrc/>

<http://www.facebook.com/TeamAssociated/>

call: (949) 544-7500

fax: (949) 544-7501

Front Suspension:

Ride Height:	16mm
Camber:	-1°
Toe:	+1°
Anti-Roll Bar:	#91822 Blue, 1.0mm
Arm Type:	#91673 Gull-Wing, Standard
Tower Type:	#91880 Gull-Wing
Caster Block Insert:	5°
Steering Block:	4mm
Bulkhead Type:	#91656 Plastic
Kick-Up Angle:	25°
Wheel Hex:	#91682 Aluminum, 5mm
Notes:	

Bump Steer Spacing:	0mm
Ball Stud Spacing:	0mm
Steering Plate:	#71144 +1
Steering Stop Spacing:	0mm
Ball Stud Spacing:	1mm
Axle Height:	+3 <input type="checkbox"/> +2 <input type="checkbox"/> +1 <input type="checkbox"/> 0 <input type="checkbox"/>
Caster Block Spacing:	1mm

Rear Suspension:

Ride Height:	16mm
Camber:	-2°
Anti-Roll Bar:	#91823 Gray 1.3mm
Arm Type:	#91853 73mm
Arm Spacing:	Arm Forward
Hub Spacing:	Towards Hex Forward <input type="checkbox"/> Middle <input type="checkbox"/> Back <input checked="" type="checkbox"/>
Shock Mounting Position:	Front of Arm <input checked="" type="checkbox"/> Rear of Arm <input type="checkbox"/>
Tower Type:	#91881 Wide
Wheel Hex:	5mm
CVA Bone Length:	69mm
CVA Axle:	+2
Notes:	

C Mount:	Aluminum <input checked="" type="checkbox"/> Brass <input type="checkbox"/>
D Mount:	Aluminum <input checked="" type="checkbox"/> Brass <input type="checkbox"/>
Possible Insert Locations:	
Hub Insert:	+3 <input checked="" type="checkbox"/> +2 <input type="checkbox"/> +1 <input type="checkbox"/> 0 <input type="checkbox"/>
Camber Link Spacing:	2mm
Ball Stud Spacing:	2mm
Ball Stud Spacing:	4mm

Electronics:

Radio:	Servo:
EPA: Throttle: _____ % Brake: _____ %	
ESC:	
ESC Settings:	
Motor:	
Wind:	Timing:
Pinion:	Spur:
Battery:	
Battery Position:	3F
Battery Weight:	

Drivetrain:

Transmission:	Laydown: <input checked="" type="checkbox"/>
3 Gear: <input checked="" type="checkbox"/>	Layback: <input type="checkbox"/>
4 Gear: <input type="checkbox"/>	Stand Up: <input type="checkbox"/>
Differential:	Ball Diff: <input type="checkbox"/>
Height: 3	Gear Diff: <input checked="" type="checkbox"/>
Gear Diff Mass:	Top of Crosspins
Notes:	5K
Slipper Clutch:	
Type:	HD B6.3
# of Pads:	2 x 11mm ID Ocalock LCF

Shocks:

	Front	Rear
Piston:	2 x 1.5, 2mm	2 x 1.6, 2mm
Fluid:	45wt	35wt
Spring:	#91835 Red	#91840 Blue
Int. Limiters:	0	1
Ext. Limiters:	0	0
Stroke:	24mm	28mm
Eyelet Length:	Short	Long
Cup Offset:	5mm	0mm
Notes:	2.0mm Pistons	

Track Info:

Size:	Small <input type="checkbox"/> Medium <input type="checkbox"/> Large <input type="checkbox"/> Extra Large <input type="checkbox"/>
Surface:	Dirt <input type="checkbox"/> Carpet <input type="checkbox"/> AstroTurf <input type="checkbox"/> Multi Surface <input type="checkbox"/>
Traction:	Low <input type="checkbox"/> Medium <input type="checkbox"/> High <input type="checkbox"/> Very High <input type="checkbox"/>
Moisture:	Dry <input type="checkbox"/> Damp <input type="checkbox"/> Wet <input type="checkbox"/>
Condition:	Indoor <input type="checkbox"/> Outdoor <input type="checkbox"/> Dusty <input type="checkbox"/> Hard Packed <input type="checkbox"/> Bumpy <input type="checkbox"/> Grooved <input type="checkbox"/> Smooth <input type="checkbox"/> Loamy <input type="checkbox"/>
Temperature:	Ambient: _____ Track: _____
Notes:	
Vehicle Comments:	

Tires:

Front Tires:
Front Compound:
Front Insert:
Rear Tires:
Rear Compound:
Rear Insert:
Wheel (F/R):
Notes:

Chassis, Body, Wing:

Body:	Kit
Front Wing:	Kit
Rear Wing:	Kit
Wing Angle:	0° <input type="checkbox"/> 3° <input type="checkbox"/> 6° <input checked="" type="checkbox"/>
Chassis Length:	#91893 +3mm
Servo Weights:	Steel
Electronic Weights:	Steel
Total Vehicle Weight:	

Front Suspension:

Ride Height: _____
Camber: _____
Toe: _____
Anti-Roll Bar: _____
Arm Type: _____
Tower Type: _____
Caster Block Insert: _____
Steering Block: _____
Bulkhead Type: _____
Kick-Up Angle: _____
Wheel Hex: _____
Notes: _____

Bump Steer Spacing: _____
Steering Plate: _____
Steering Stop Spacing: _____
Caster Block Spacing: _____

Ball Stud Spacing: _____
Ball Stud Spacing: _____

Axle Height:
+3
+2
+1
0

Rear Suspension:

Ride Height: _____
Camber: _____
Anti-Roll Bar: _____
Arm Type: _____
Arm Spacing: _____
Hub Spacing:
Forward Middle Back
Shock Mounting Position:
Front of Arm Rear of Arm
Tower Type: _____
Wheel Hex: _____
CVA Bone Length: _____
CVA Axle: _____
Notes: _____

C Mount: Aluminum Brass
D Mount: Aluminum Brass

Possible Insert Locations

1	1/5	!	1/5	-
1/5	.5	.5	.5	1/5
-	.5	.	.5	-
1/5	.5	.5	.5	1/5
-	1/5	!	1/5	!

Hub Insert:
+3 +2 +1 0

Camber Link Spacing: _____
Ball Stud Spacing: _____
Ball Stud Spacing: _____

Electronics:

Radio: _____ **Servo:** _____
EPA: Throttle: _____ % Brake: _____ %
ESC: _____
ESC Settings: _____
Motor: _____
Wind: _____ **Timing:** _____
Pinion: _____ **Spur:** _____
Battery: _____
Battery Position: _____
Battery Weight: _____

Drivetrain:

Transmission: **Laydown:**
3 Gear: **Layback:**
4 Gear: **Stand Up:**
Differential: **Ball Diff:**
Height: _____ **Gear Diff:**
Gear Diff Mass: _____
Notes: _____

Slipper Clutch:
Type: _____
of Pads: _____

Shocks:

	Front	Rear
Piston:	_____	_____
Fluid:	_____	_____
Spring:	_____	_____
Int. Limiters:	_____	_____
Ext. Limiters:	_____	_____
Stroke:	_____	_____
Eyelet Length:	_____	_____
Cup Offset:	_____	_____
Notes:	_____	_____

Track Info:

Size: Small Medium Large Extra Large
Surface: Dirt Carpet AstroTurf Multi Surface
Traction: Low Medium High Very High
Moisture: Dry Damp Wet
Condition: Indoor Outdoor Dusty Hard Packed
Bumpy Grooved Smooth Loamy
Temperature: Ambient: _____ Track: _____
Notes: _____
Vehicle Comments: _____

Tires:

Front Tires: _____
Front Compound: _____
Front Insert: _____
Rear Tires: _____
Rear Compound: _____
Rear Insert: _____
Wheel (F/R): _____
Notes: _____

Chassis, Body, Wing:

Body: _____
Front Wing: _____
Rear Wing: _____
Wing Angle: 0° 3° 6°
Chassis Length: _____
Servo Weights: _____
Electronic Weights: _____
Total Vehicle Weight: _____



21062 Bake Parkway Lake Forest, CA 92630 USA

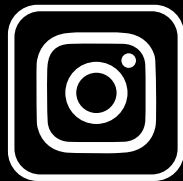
call: (949) 544-7500 - fax: (949) 544-7501

visit us at: www.AssociatedElectrics.com
for all of our current products, new releases, setup help,
tips, and racing info!

FOLLOW US ON SOCIAL MEDIA



TeamAssociated
ReedyPower
ElementRC



@TeamAssociatedRC
@ReedyPower
@Element RC



@Team_Associated
@ReedyPower



AEFactoryTeam