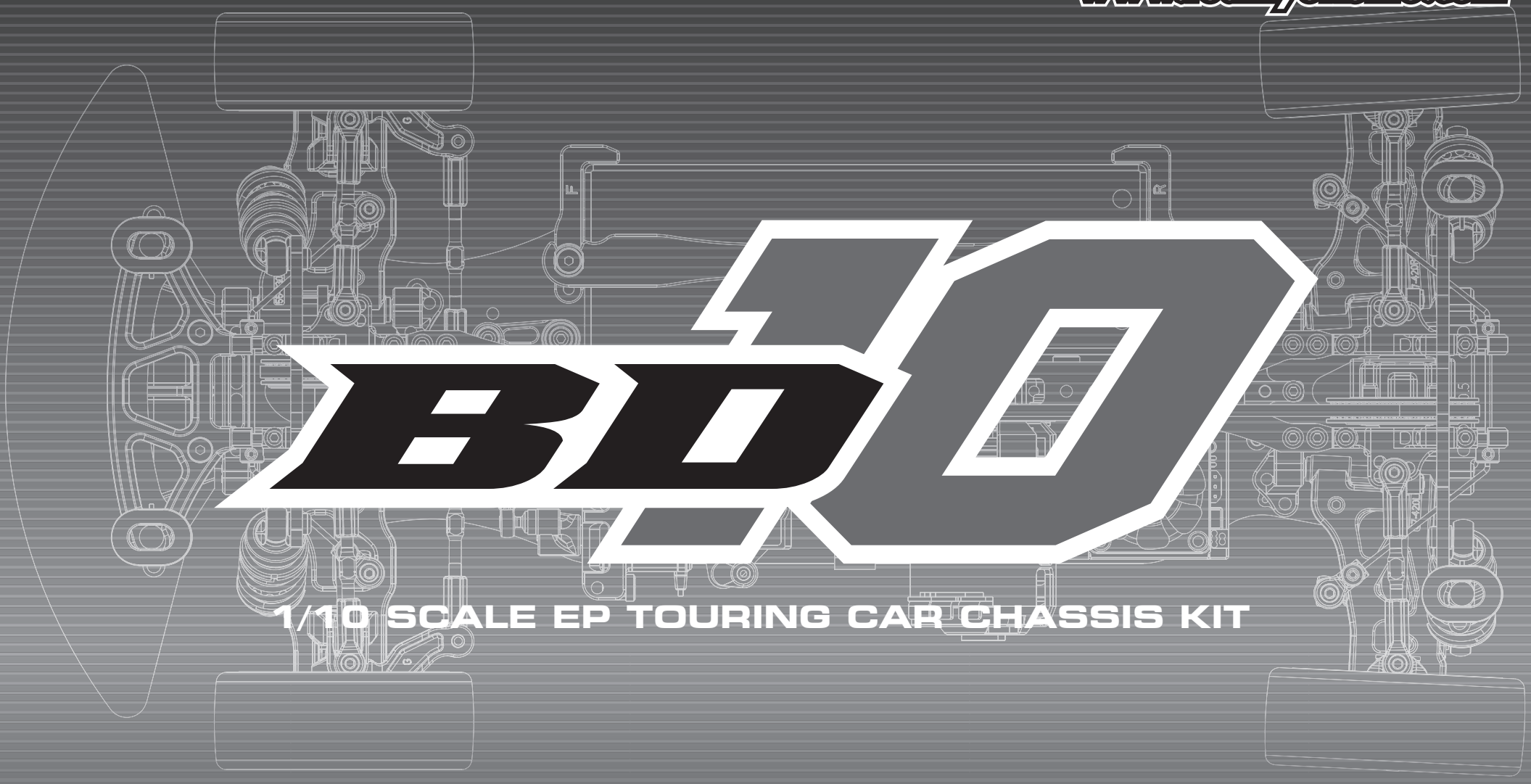


英語版

RC MODEL CARS
YOKOMO
www.teamyokomo.com



BTD

1/10 SCALE EP TOURING CAR CHASSIS KIT

3 TIME
2000 • 2014 • 2016

IFMAR 1ST WORLD CHAMPION

この度はヨコモ製R/Cカーキットをお買い求め頂き、誠に有り難うございます。このキットは、ワールドチャンピオン メーカーであるヨコモの高性能・競技用R/Cカーです。本説明書に従った正しい組立・安全な走行をして頂ければ、誰でも手軽に楽しむことができます。

Thank you for purchasing this Yokomo product. This high performance competition kit has been proudly manufactured by Yokomo - World Champion R/C car manufacturer. Proper assembly of this product will provide fun, safe enjoyment.

R/C カーを安全に楽しんで頂くための 注意事項

お子様(中学生以下)が 組立・走行する際は、必ず保護者の方が付き添い 安全を確認して下さい。

組立の注意

- 幼児のいる場所では組み立てないで下さい。小さな部品を飲み込む等、非常に危険です。
- 組立の前に必ず内容をお確かめ下さい。万一不良部品、不足部品などがあった場合は、ヨコモ アフターサービス部までお問い合わせ下さい。
- 組立の前に説明書を最後まで読み、全体の流れをつかむと効率的な組立が出来ます。
- 組み立てる際は、様々な工具が必要になります。安全の為に必ず作業内容に合った工具を使用して下さい。又、カッターナイフ等を使用する際は危険を伴いますので、注意して下さい。
- 部品には様々な素材を使用しています。切削加工された金属パーツ等はエッジが鋭く、慎重な組立が必要となります。ケガをしないように注意して下さい。
- プラスティックパーツなどを切断する際は、切断した部品が飛び危険があるので注意して下さい。
- 回転部や駆動部は出来るだけスムーズに動作するように組み立てて下さい。
- 配線やコード類はきれいにまとめて下さい。回転部分や走行路面にコードが接触すると危険です。又、配線は確実に接続されていないとショートなどの恐れや、性能を十分に発揮出来ない場合があります。
- 必要以上の分解、改造をすると、安全性が低下したり走行性能が十分に発揮出来なくなる場合があります。
- 塗装は、周囲に火気の無いことを確認し、換気の良い場所で行って下さい。

走行の注意

- ヨコモ製R/Cカーは競技用の為、時速40kmを超える速いスピードが出るモデルもあります。ルールを守って安全な場所や、R/Cカー用サーキットで走らせて下さい。
- 公道等、周囲の人の迷惑になるような場所では絶対に走らせないで下さい。
- R/Cカーは電波を利用する為、何らかのトラブルで最悪の場合は暴走する事があります。狭い場所や室内は避け、出来るだけ広い、障害物のない場所で走らせて下さい。
- 周囲にR/Cカーを走らせている人がいる場合は、電波が重ならないように、周波数を確認し合って、安全を確かめて下さい。
- R/Cカーは水を嫌います。雨の日や、水たまりのある場所で走らせると、R/Cメカが壊れたり、暴走する危険があります。
- R/Cカーの駆動部分、ギヤやベルト、タイヤなどは高回転で回ります。バッテリーを接続した後は危険ですので、回転部分に手を触れないで下さい。
- 走行後のR/Cカーは各部が高温になる事があります。危険ですので冷却期間をおいてから、メンテナンスなどをして下さい。

走らせる手順

- ① タイヤが空転するように、台の上にR/Cカーを置きます。
- ② スピードコントローラのスイッチがOFFになっている事を確認してから、モーターとバッテリーを接続します。
- ③ 送信機のアンテナを伸ばし、スイッチをONにします。(送信機の電圧が下がっていると危険です。常に電圧の高い状態で使用して下さい。)
- ④ 受信機のスイッチをONにします。

走行終了手順

- ① スピードコントローラのスイッチをOFFにします。
- ② バッテリーの接続を外します。
- ③ 送信機のスイッチをOFFにし、アンテナを縮めます。

バッテリーの取り扱い

(バッテリーに付属の説明書に基づき使用して下さい。)

- バッテリーを充電する際は、周囲に燃えやすい物のない安全な場所で行って下さい。又、高温な場所での充電も避けて下さい。
- バッテリーの充電中は充電状況を常に確認して下さい。充電器の誤動作などで過充電すると、最悪の場合は発火する危険性があります。バッテリー温度が50度を越えたら充電を中止して下さい。
- 走行後のバッテリーは高い温度になります。連続使用するとバッテリーを傷める事になりますので、冷却期間を置いてから充電して下さい。又、走行後のバッテリーはコンディション放電する事によって、性能を持続させる事が出来ます。
- 不要になったバッテリーは一般のゴミと一緒に捨てず、お手数でも電池専用の回収箱に捨てて下さい。

モーターの取り扱い

(モーターに付属の説明書に基づき使用して下さい。)

- 7.2Vのバッテリーでモーターのから回しをすると危険です。モーター内部を破損し部品が飛び出す事も考えられますので、もしモーターのブレークインをする時は、モーターをしっかり固定し3~5V程度でから回して下さい。
- モーターは定期的なメンテナンスが必要です。劣化するとスピードが出なくなったり、走行時間が短くなります。定期的なクリーニングしたり、ブラシが減ってきたら交換する等のメンテナンスをして下さい。
- モーターの性能に合ったギヤ比を選択して下さい。ギヤ比が最適でないとモーターの性能を十分に発揮出来ないだけでなく、他のR/Cメカを壊す原因にもなります。
- 走行後のモーターは非常に高い温度になります。連続走行するとモーターを傷める事になりますので、冷却期間を置いてから走行してして下さい。

PRECAUTIONS FOR SAFE ENJOYMENT OF YOUR R/C CAR

For children under the age of 13, parental guidance is recommended when running.

ASSEMBLY PRECAUTIONS

- Do not assemble around small children. The parts can be dangerous if accidentally swallowed.
- Check the contents carefully before assembly. Please contact Customer Support if you happen to notice any defective or missing items.
- You will find the assembly process much easier by carefully reading through the manual, and familiarizing yourself with the instructions.
- Many different tools are required during assembly. For safety purposes, please use suitable tools. Exercise extra caution when using a sharp tool such as a hobby knife.
- Many different materials are used for the parts. Use extra care when handling parts with sharp edges, such as machined metal parts.
- When cutting plastic parts, watch for any flying parts.
- Try to assemble any rotating parts or drivetrain parts as smooth as possible.
- Bundle wires neatly away from the ground or any moving drivetrain components. Make sure that all wires are properly connected to prevent shorting.
- Unnecessary modifications may be unsafe and hinder performance.
- Always paint in a well ventilated area away from flames.

PRECAUTIONS BEFORE RUNNING

- Yokomo R/C cars are built for competition use, and some models may exceed speeds of 40km per hour. Practice common sense and run the car in open safe places, or R/C car tracks.
- Do not run the car on public roads with high amounts of traffic, or in areas that may cause an inconvenience to people in that area.
- R/C cars are controlled using a radio frequency. In a worst-case scenario, radio interferences may cause loss of control.
- If others near you are running R/C cars, confirm that they are not running on the same frequency.
- R/C cars do not like water. Avoid running on rainy days, or areas with water puddles. Exposure of the electronics to water may cause loss of control or damage to the electronics.
- The drivetrain of an R/C car consists of many moving parts like gears, belts, shafts, and tires. Avoid touching these areas when the battery is connected.
- Many parts of an R/C car will become hot after running. Allow the parts to sufficiently cool before conducting any maintenance.

BEGINNING A RUN

- ① Place the R/C car on a stand so the wheels are off the ground.
- ② Confirm that the speed controller switch is OFF, and connect the motor and battery.
- ③ Extend the transmitter antenna and turn the switch ON. (It is unsafe to use a transmitter with low voltage. Make sure that the transmitter batteries are good before running.)
- ④ Turn the speed controller switch ON.

FINISHING A RUN

- ① Turn the speed controller switch OFF.
- ② Disconnect the battery.
- ③ Turn the transmitter switch OFF, and retract the antenna.

BATTERY USAGE

(Carefully read the instruction included with the batteries.)

- When charging batteries, make sure that the surrounding area is void of anything highly flammable. Also avoid charging in high-temperature locations.
- When charging batteries, frequently monitor the charging it catch on fire. If the battery reaches 50 degrees Celsius or more, stop charging.
- Batteries will become hot after running. Continuous use of the battery pack may result in damage to the cells. Allow the battery too cool down before re-charging. Using a battery conditioner after running may prolong the life and performance of the battery.
- Please do not discard old battery packs in the trash. Although inconvenient, please locate a battery disposal center.

MOTOR USAGE

(Carefully read the instruction included with the motor.)

- Connecting a 7.2V battery directly to the motor can be very dangerous. This may cause the internal parts of the motor to break apart, causing some parts to fly out of the motor. To break-in the motor, safely secure the motor and run the motor at about 3-5V.
- Motors require periodic maintenance. Slower speeds and decreased run times may indicate a worn-out motor. Periodically clean the motor and change the brushes when needed.
- Choose a gear ratio that matches the power characteristics of the motor. Using a gear ratio unsuited to the characteristics of the motor will not only prevent the motor from performing at its optimum, but may even cause damage to the other electronics.
- Motors will generally become very hot after running. Continuous running will reduce the life of the motor. Allow the motor to sufficiently cool between each run.

【組み立てに必要な物】

ACCESSORIES AND TOOLS NEEDED FOR [MRTC BD10] ASSEMBLY

■ 走行の為に別にお買い求め頂く物 ■

ADDITIONAL ITEMS REQUIRED FOR USE (NOT INCLUDED IN KIT)

- 2チャンネルプロポ (1サーボ 1アンプ仕様)
TWO CHANNEL R/C SURFACE RADIO SYSTEM
AND ELECTRONIC SPEED CONTROL
- 走行用 角型Li-Poバッテリー
SQUARE EDGE Li-Po BATTERY PACK
- 走行用バッテリー充電器
BATTERY CHARGER
- 走行用モーター
MOTOR
- タイヤ&ホイール
TIRES & WHEEL
- 走行用ボディー
BODY
- ボディー塗装用カラー
BODY SPRAY PAINT
- 64ピッチ ピニオンギヤ
64P PINION GEAR

■ 別途用意する工具 ■

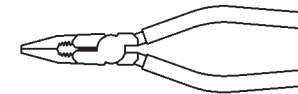
ASSEMBLING TOOLS REQUIRED (NOT INCLUDED IN KIT)



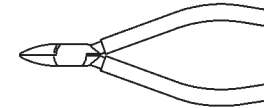
六角レンチ
(1.5mm & 2.0mm & 3.0mm)
ALLEN WRENCH
(1.5mm & 2.0mm & 3.0mm)



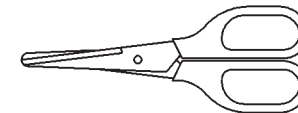
ナットドライバー
(5.5mm & 7.0mm)
NUT WRENCH
(5.5mm & 7.0mm)



ラジオペンチ
NEEDLE NOSE PLIERS



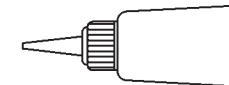
ニッパー
SIDE CUTTER



ハサミ
SCISSORS



カッター
HOBBY KNIFE



瞬間接着剤
CA (Cyanoacrylate) GLUE

■ キットに入っている工具 ■

TOOLS (INCLUDED)

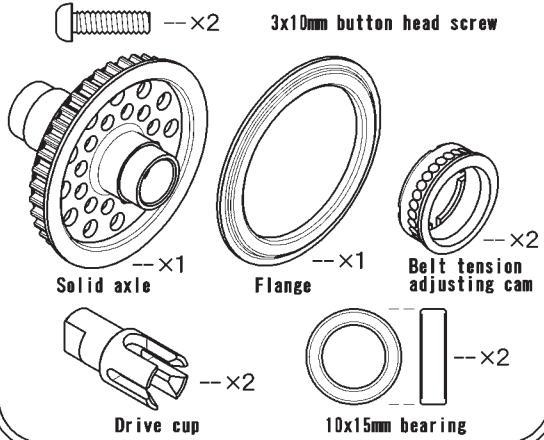


ターンバックルレンチ
TURNBUCLE WRENCH

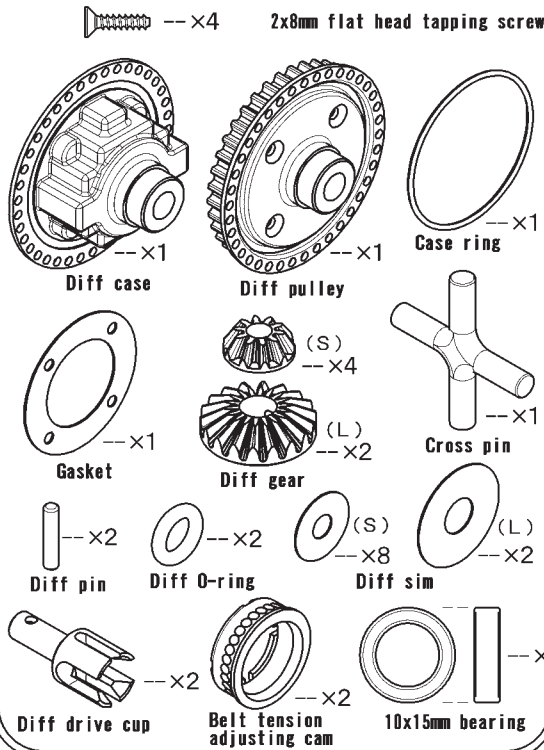
[MRTC BD10]の性能を十分に発揮させる為にイラストを良く参照し説明の順番に従って確実に組み上げて下さい。

For assembly, follow the figures and the instructions closely so that your [MRTC BD10] will perform at its best!!

[Bag-1 Contents]

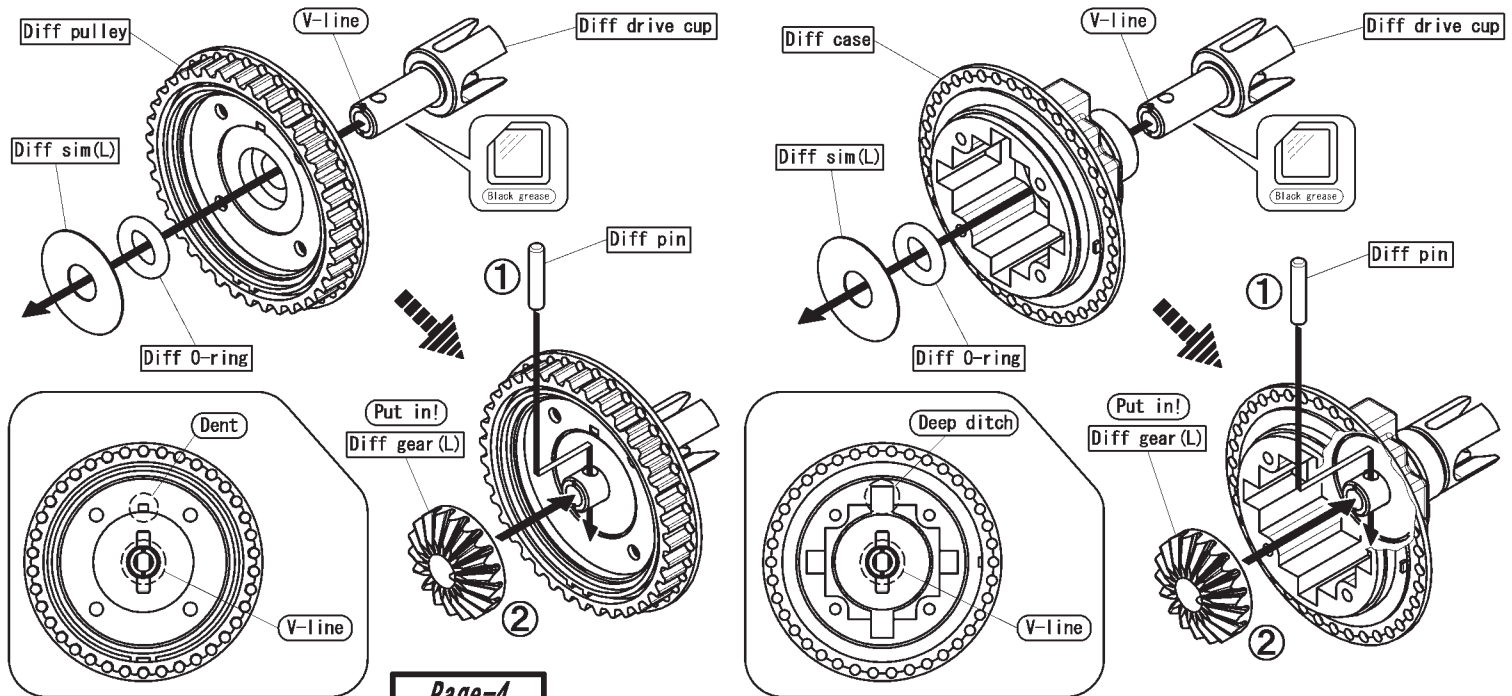
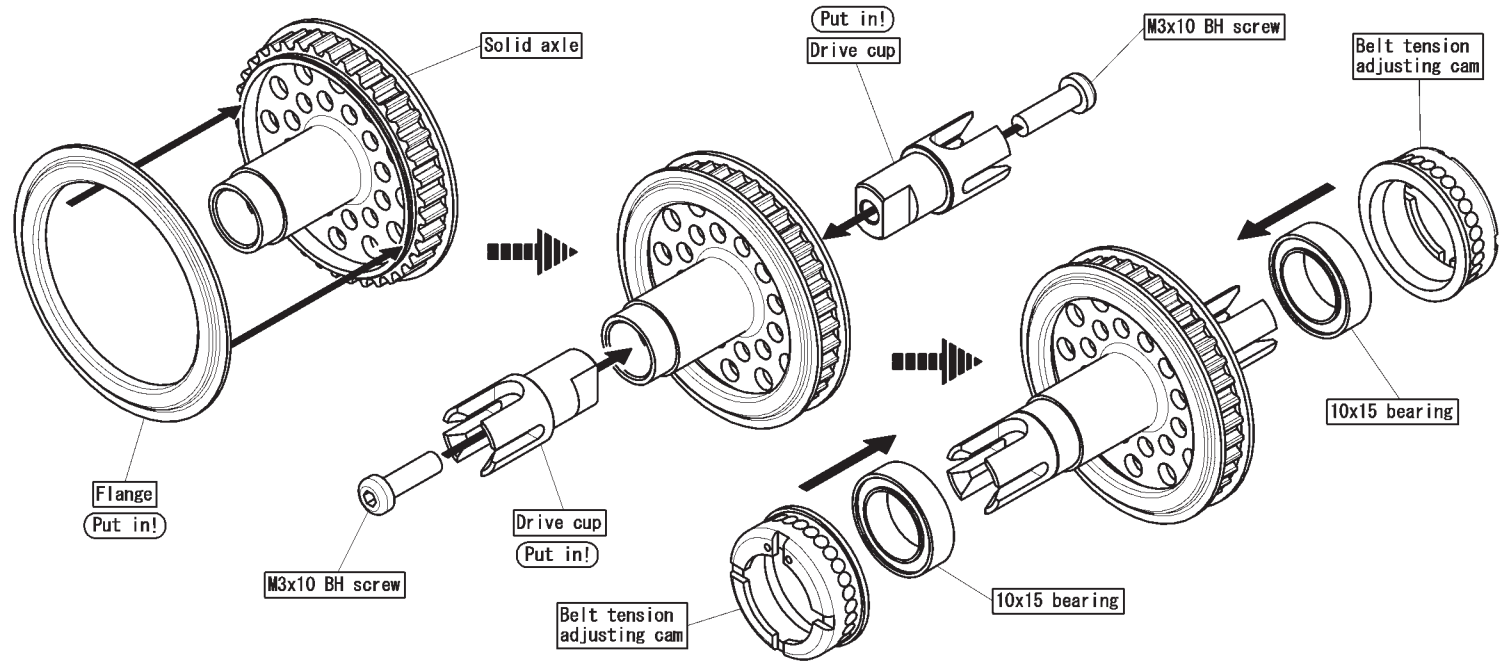


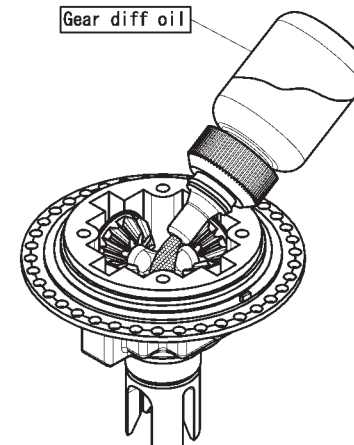
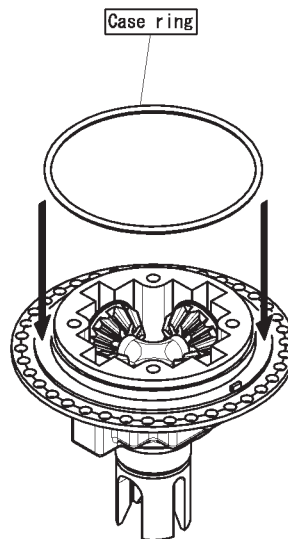
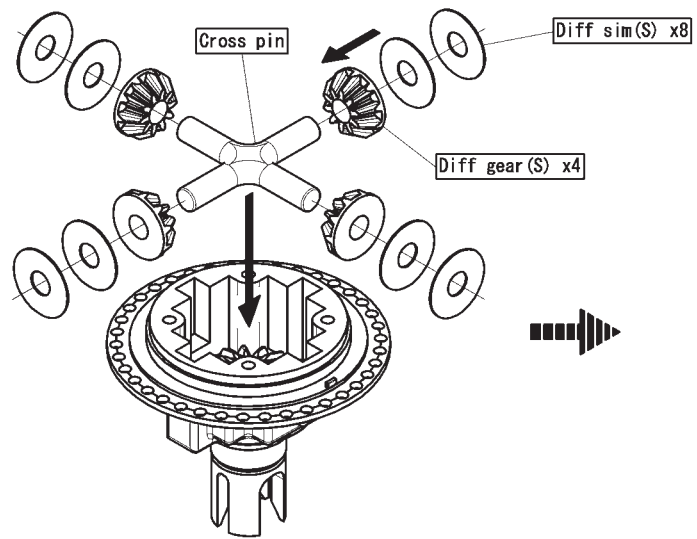
[Bag-2 Contents]



[Oil Bag]

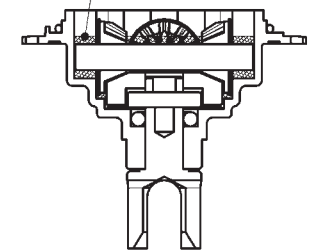
Black grease --x1





[Oil Bag]
 #7500 gear diff oil --x1

Reference amount of oil is 1.5g.
 Oil is put in until a pin hides.



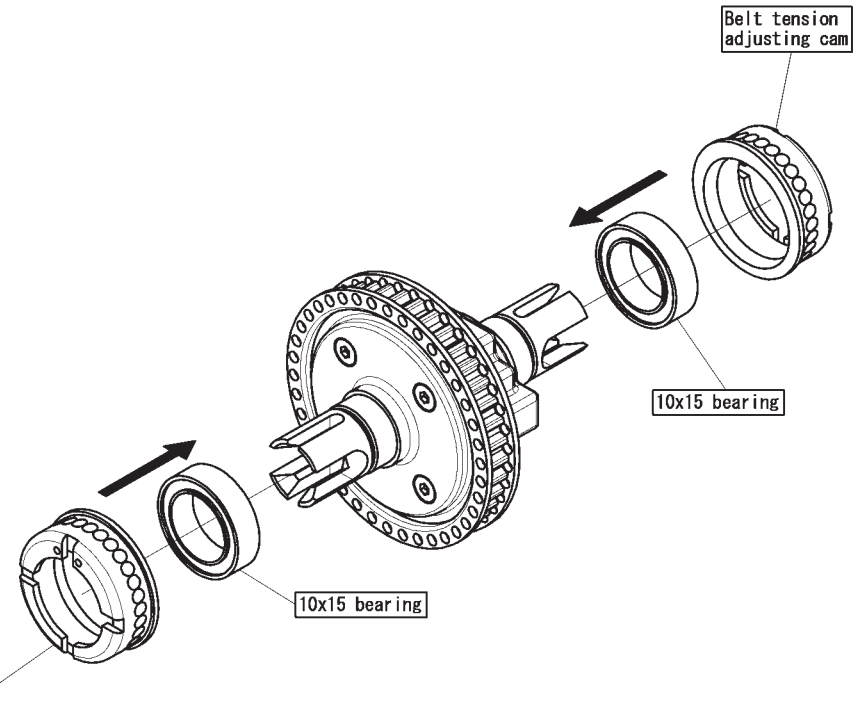
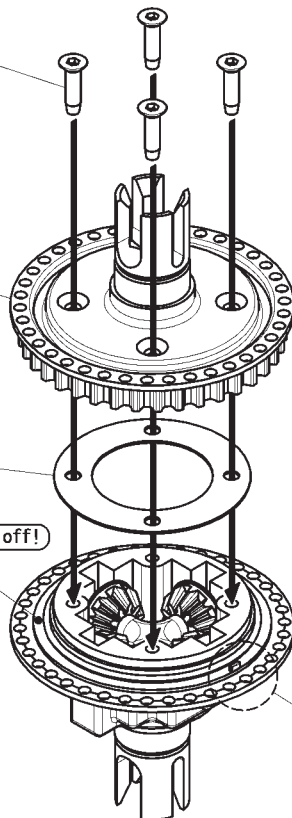
M2 FH screw x4
 Tighten evenly!

Slowly put!
 Diff pulley

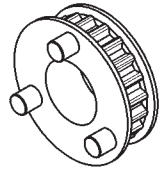
Gasket

The overflowing oil is politely wiped off!

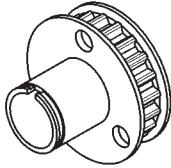
marks!



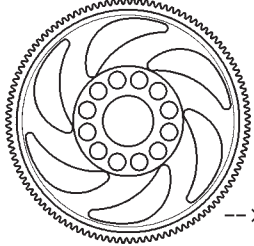
[Bag-3 Contents]



--x1 Drive pulley hub



--x1 Drive pulley housing



--x1 110T spur gear



--x6 Washer



--x1 C-Clip



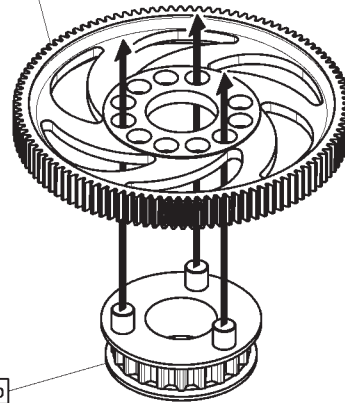
--x1 5x8 bearing



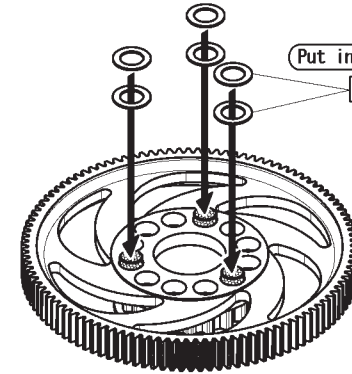
--x1 8x12 bearing

Pay attention to the direction of the part!

110T spur gear



Drive pulley hub

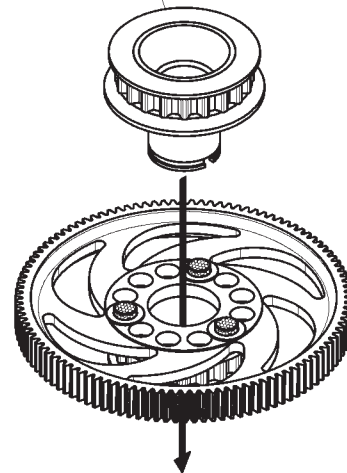


Put in the protrusion.

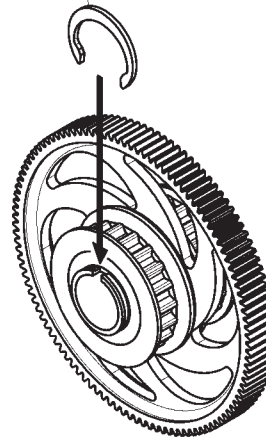
Washer x3

Put in!

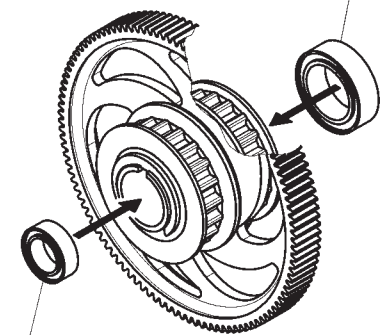
Drive pulley housing



C-Clip








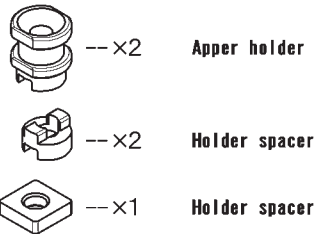
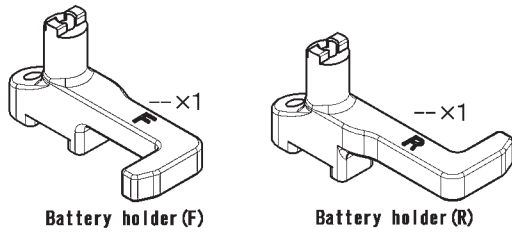
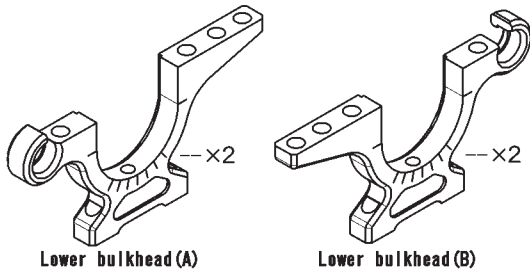
8x12 bearing



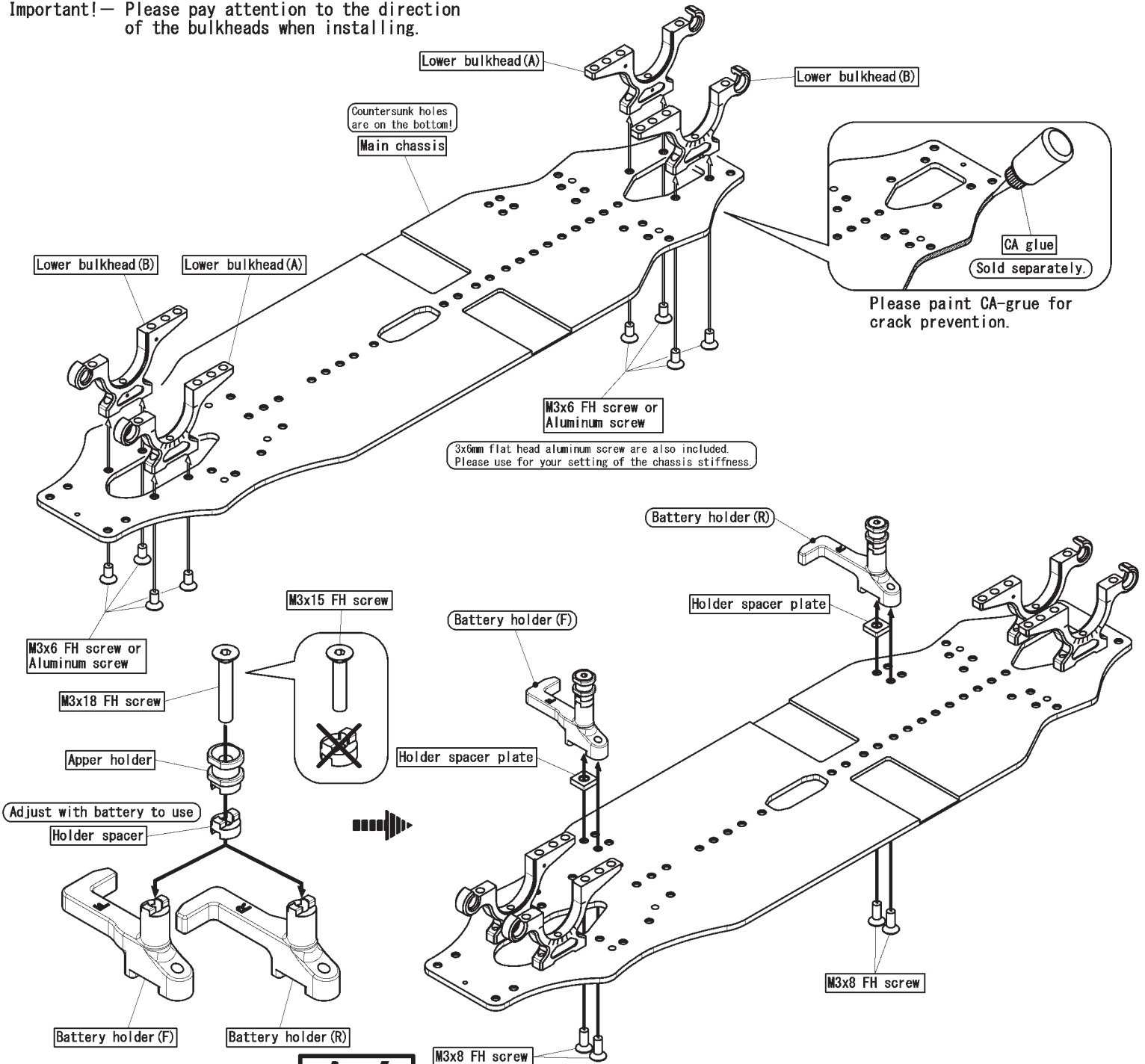
5x8 bearing

[Bag-4 Contents]








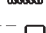

-  --x8 3x6mm flat head screw
-  --x8 3x6mm flat head screw (Aluminum)
-  --x4 3x8mm flat head screw
-  --x2 3x15mm flat head screw
-  --x2 3x18mm flat head screw

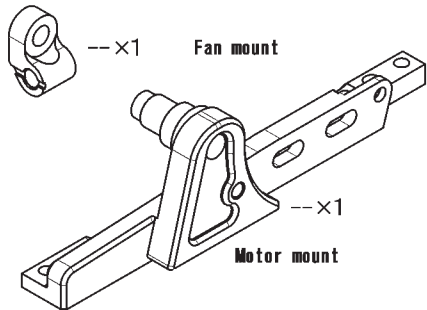
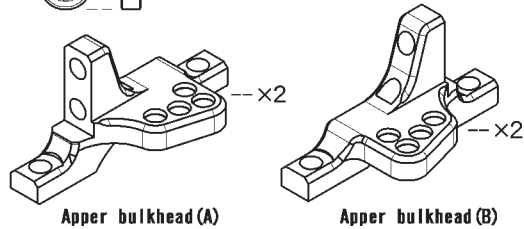


Important!— Please pay attention to the direction of the bulkheads when installing.

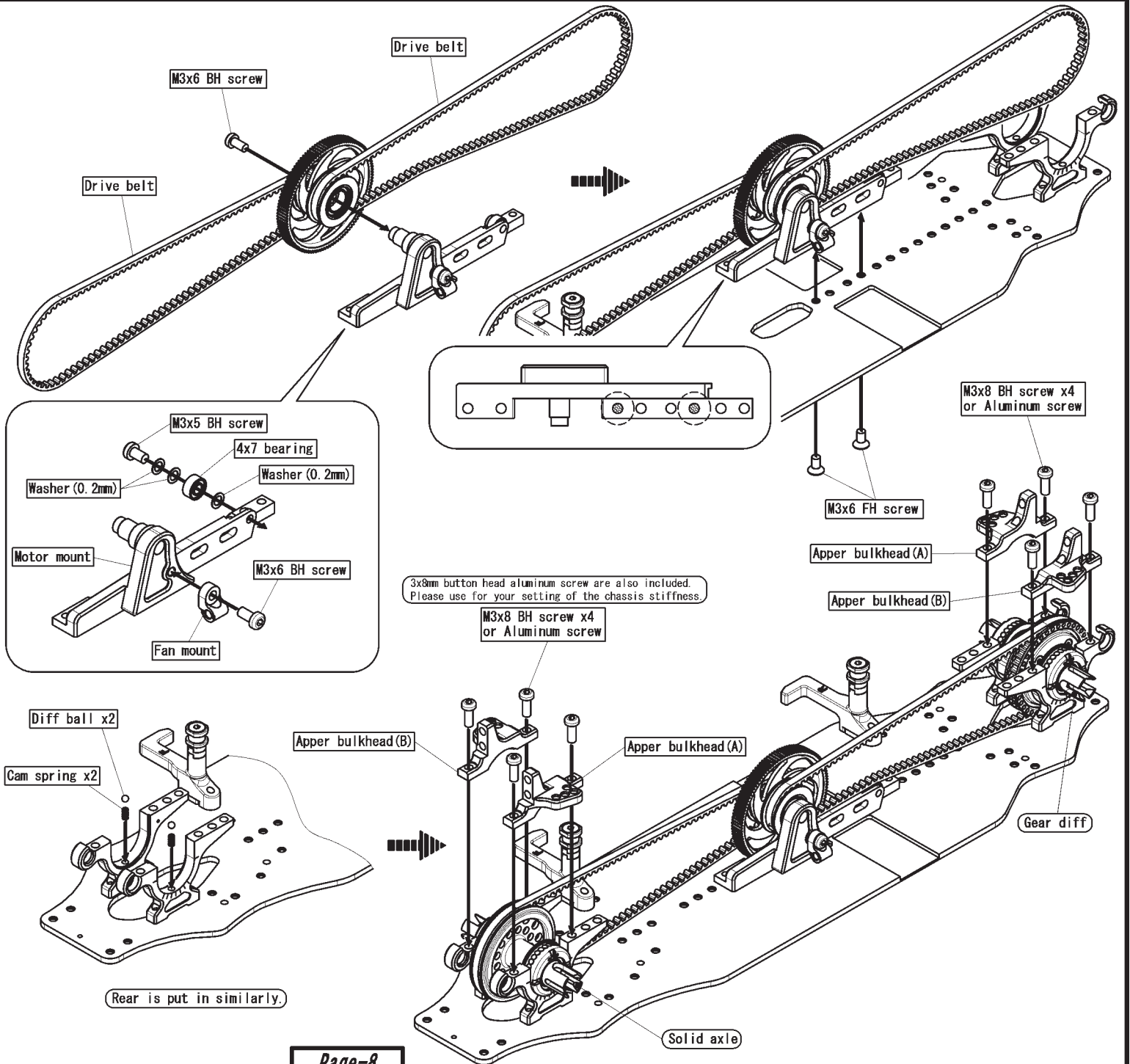
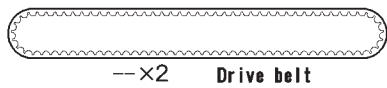


[Bag-5 Contents]

-  --x2 3x6mm flat head screw
-  --x1 3x5mm button head screw
-  --x2 3x6mm button head screw
-  --x8 3x8mm button head screw
-  --x8 3x8mm button head screw (Aluminum)
-  --x3 Washer (0.2mm)
-  --x4 Diff ball
-  --x4 Cam spring
-  --x1 4x7mm bearing



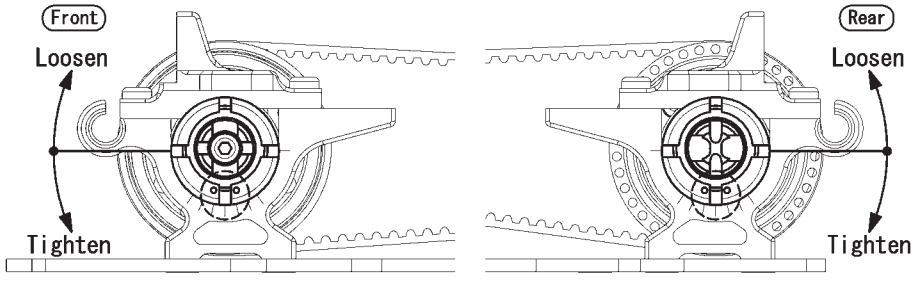
[Belt Bag]



Belt Tension Adjustment

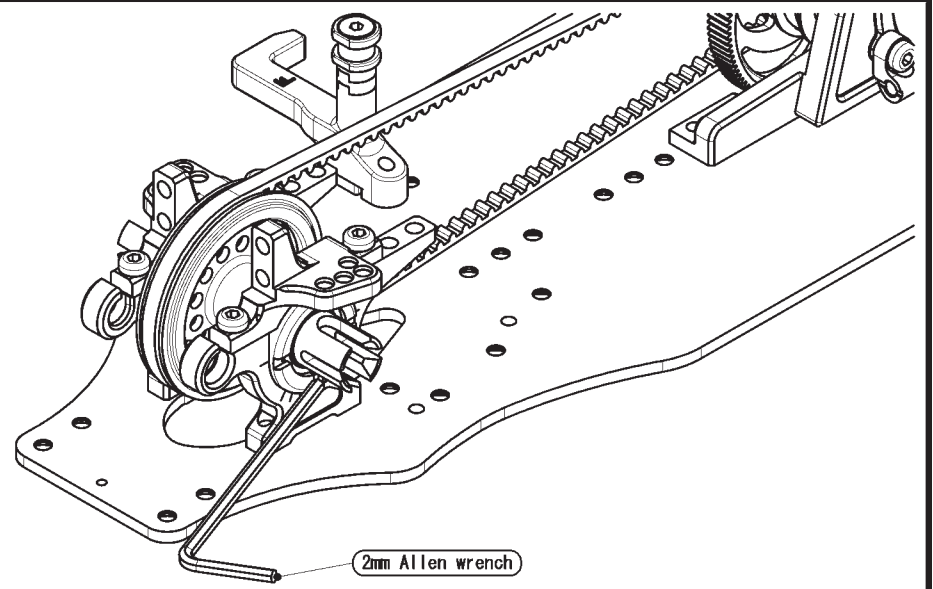
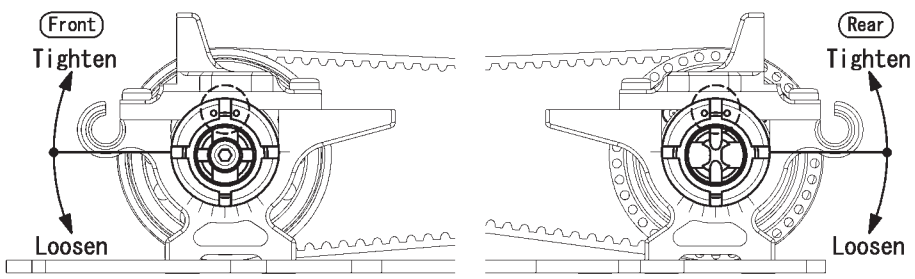
Upper Diff Position

Medium - Low grip tracks.



Lower Diff Position

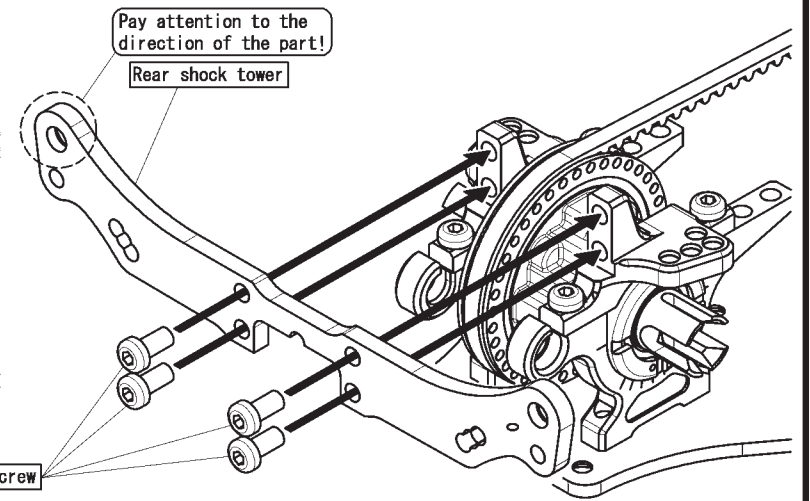
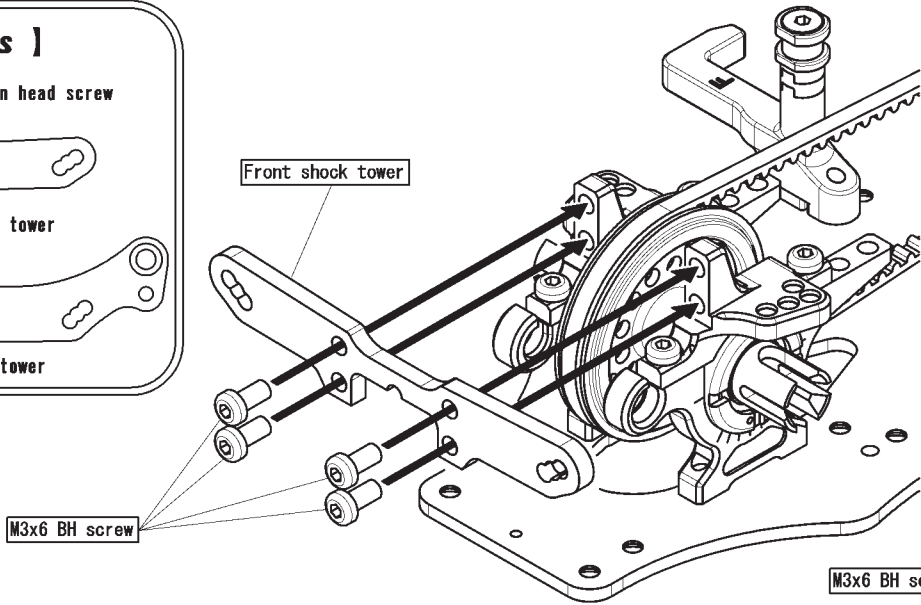
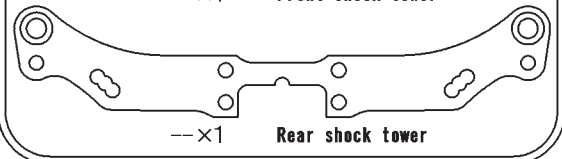
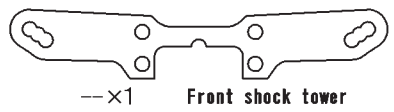
Medium - High grip tracks.











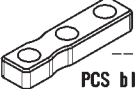
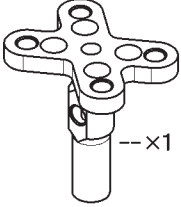

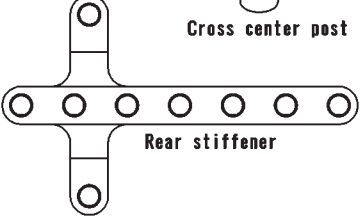
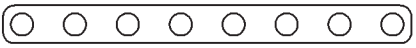
To adjust belt tension, slightly loosen the bulkhead cap screws, and reposition the cams as shown in the illustration. (Make sure that the left and right cams are adjusted to the same position.)

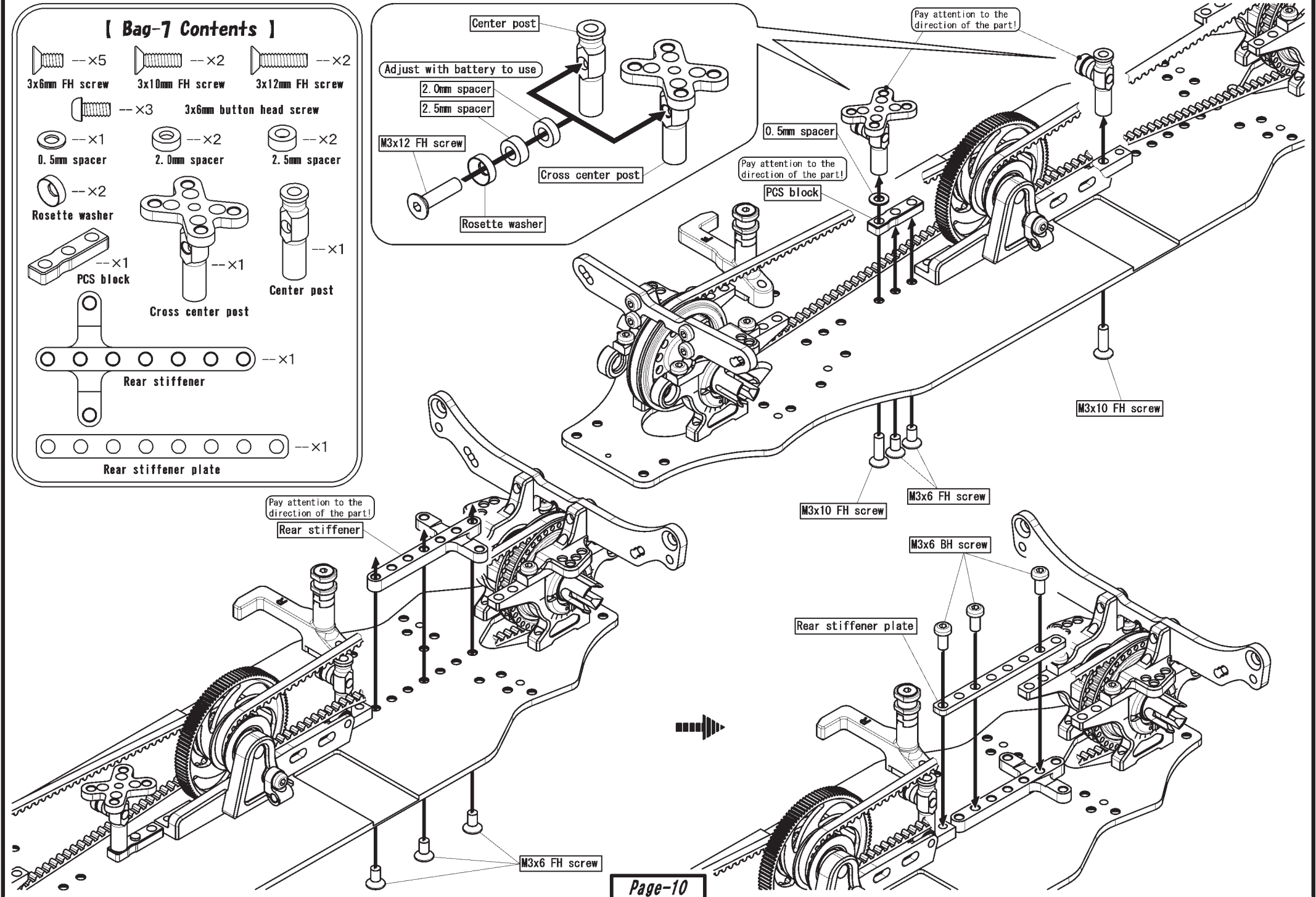
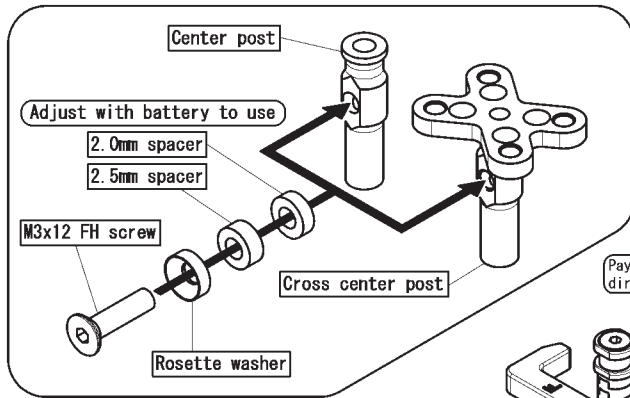
[Bag-6 Contents]

---x8 3x6mm button head screw



[Bag-7 Contents]

-  --x5
-  --x2
-  --x2
-  --x3
-  --x1
-  --x2
-  --x2
-  --x2
-  --x1
-  --x1
-  --x1
-  --x1
-  --x1

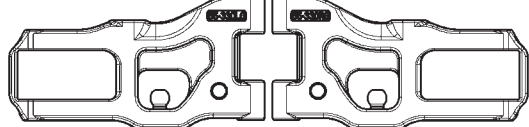


[Bag-8 Contents]

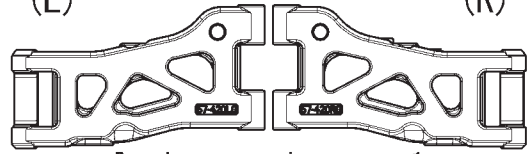
- 3x8mm flat head screw --x12
- 3x8mm set screw --x4
- 0.5mm spacer --x4
- 4x8mm set screw --x4

- Sus-mount FA --x1
- Sus-mount RA --x1
- Suspension mount A --x1
- Suspension mount spacer A --x2
- Suspension mount NA --x1
- Suspension mount spacer NA --x2
- Suspension mount bush --x8

- Inner suspension arm pin --x4
- Arm spacer --x8



(L) Front lower suspension arm --x1 (R)

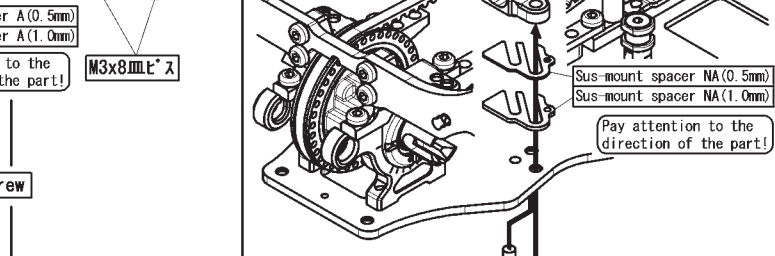
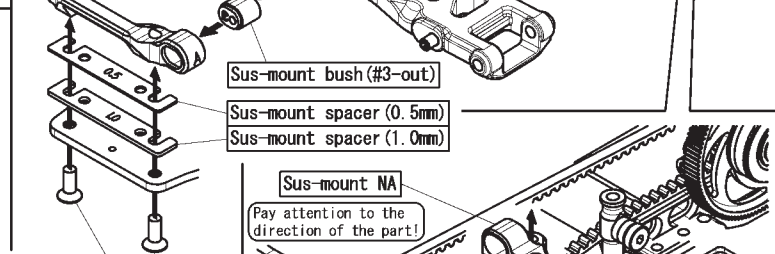
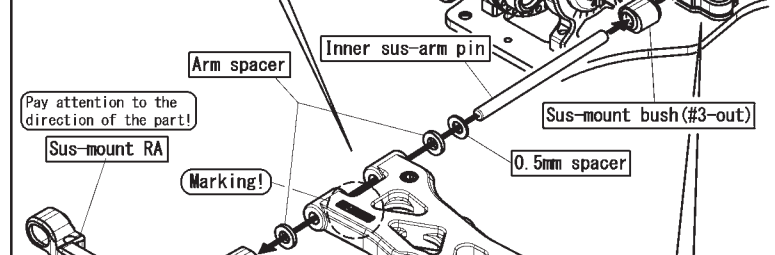
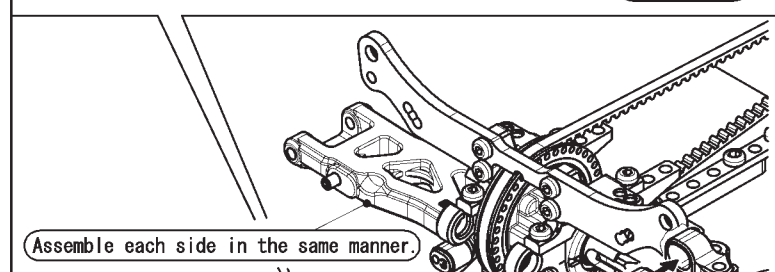
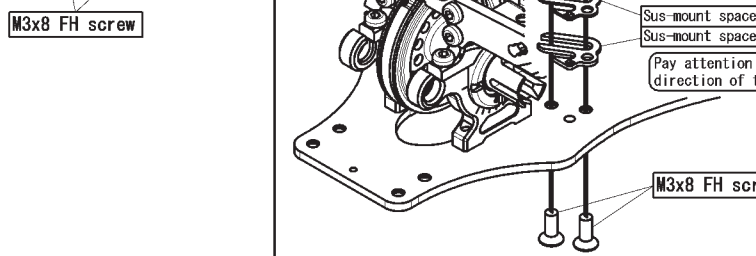
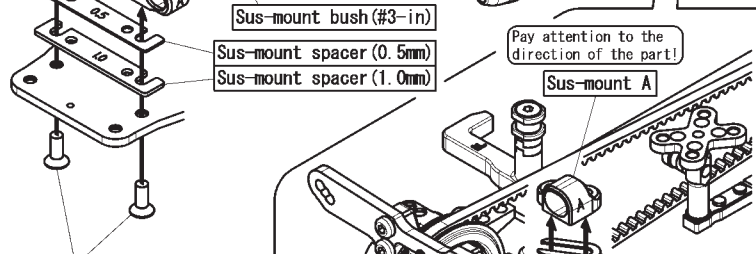
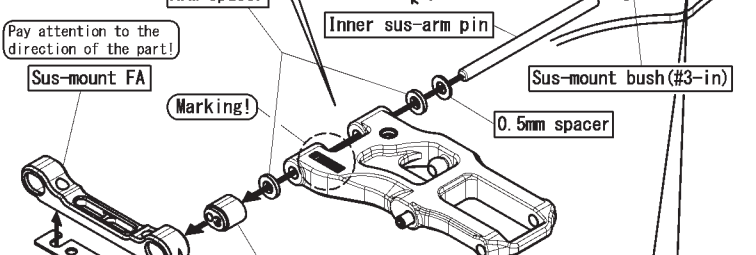
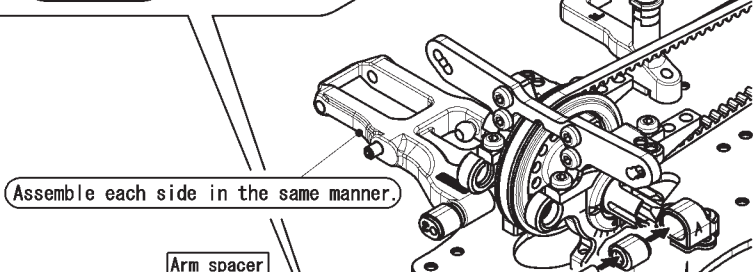
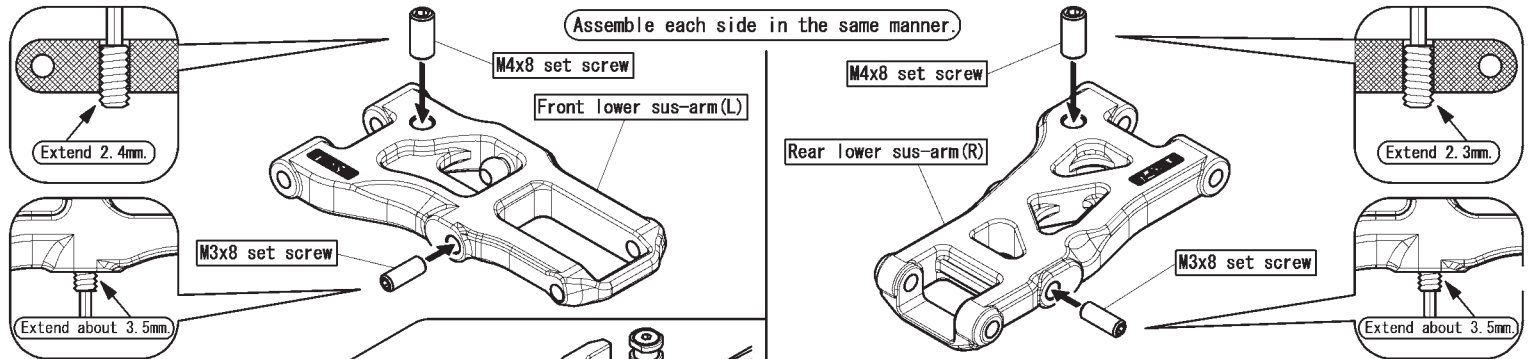
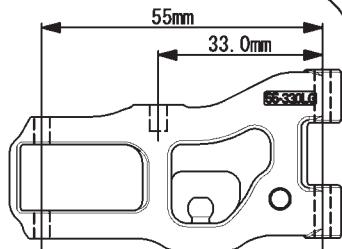


Rear lower suspension arm --x1








Mark of Arm

55-330LG

L=Left
G=Graphite

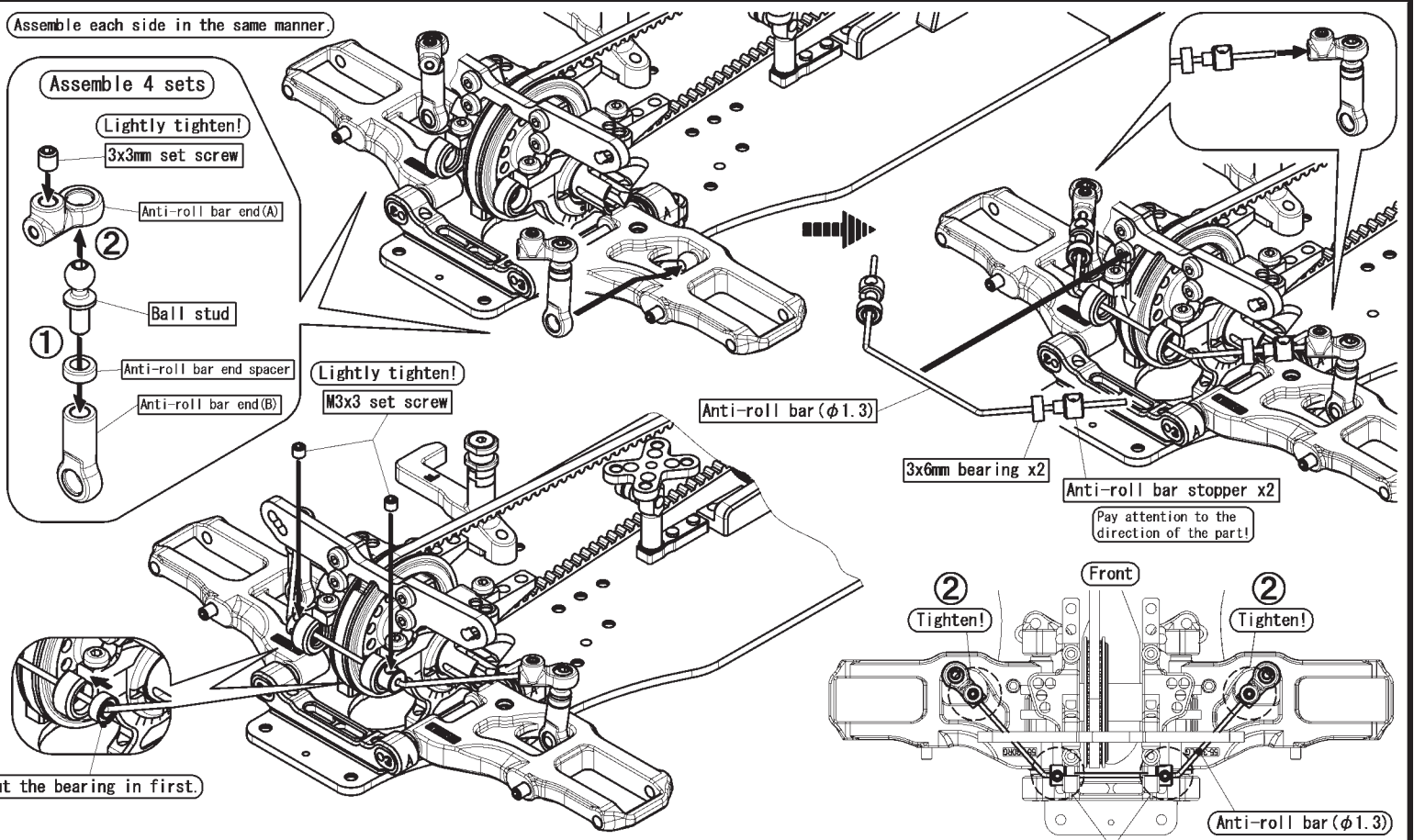
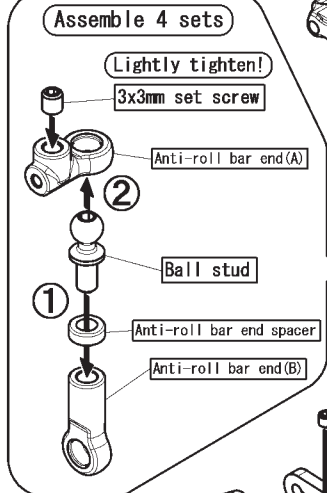


[Bag-9 Contents]

-  --x8 3x3mm set screw
-  --x6 Ball stud
-  --x4 Anti-roll bar stopper
-  --x4 Anti-roll bar end spacer
-  --x4 Anti-roll bar end (A)
-  --x4 Anti-roll bar end (B)
-  --x4 3x6mm bearing

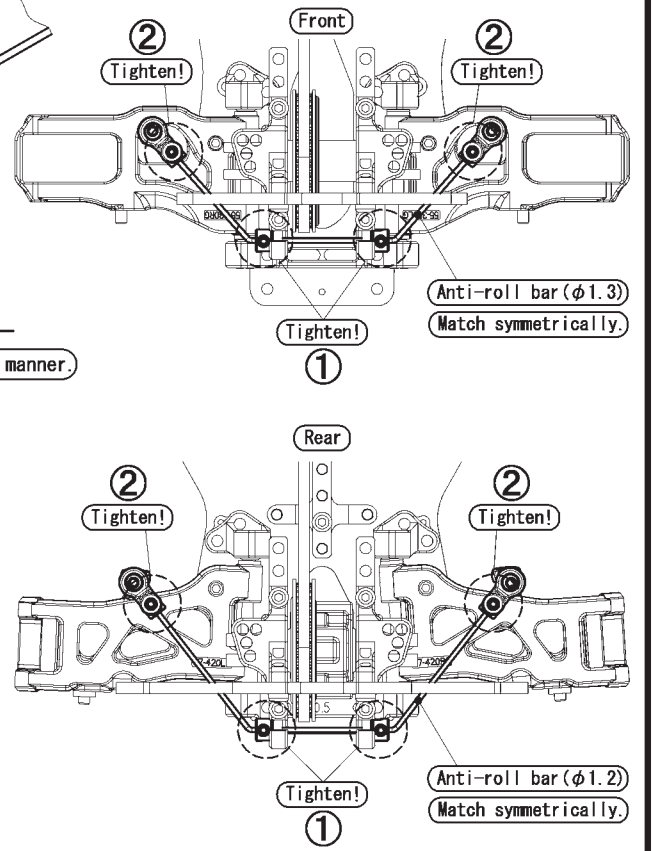
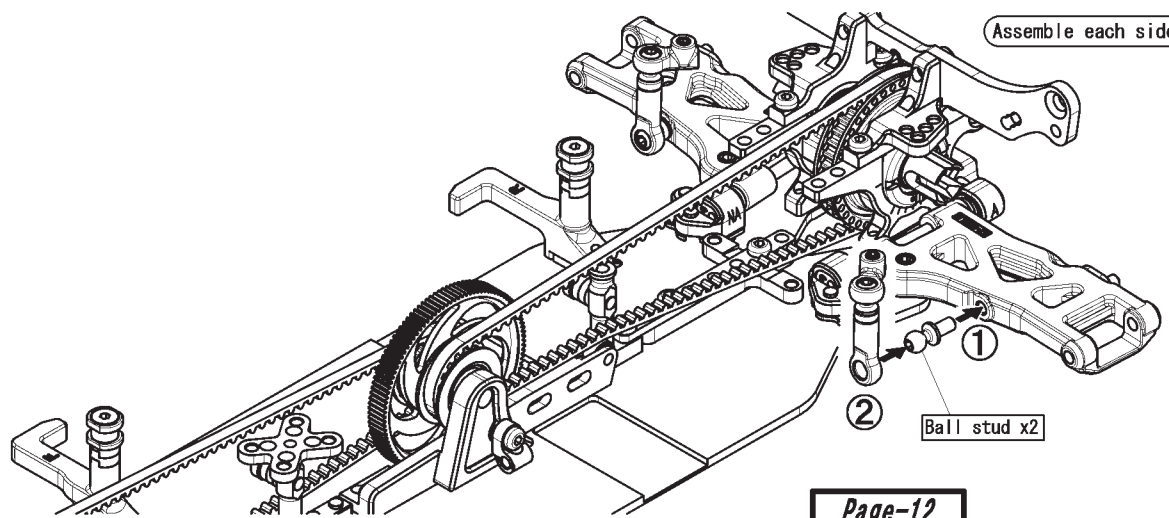
- x1 Anti-roll bar(φ1.3) rear
- x1 Anti-roll bar(φ1.2) rear

Assemble each side in the same manner.








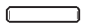




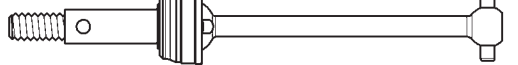
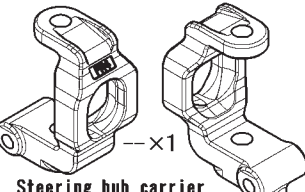
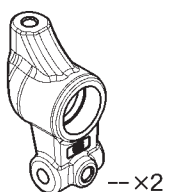
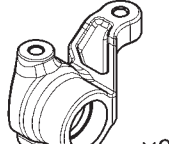



Put the bearing in first.

Assemble each side in the same manner.



[Bag-10 Contents]

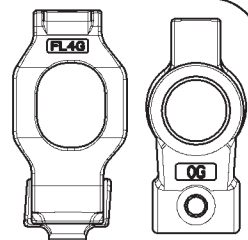
-  --x2 3x10mm button head screw
-  --x2 King pin collar (S)
-  --x2 Washer (0.1mm)
-  --x4 4mm aluminum locknut
-  --x4 Wheel hub
-  --x2 King pin collar (L)
-  --x4 Washer (0.2mm)
-  --x4 Wheel hub pin
-  --x4 2x5mm cap screw
-  --x4 Spacer
-  --x4 Joint protector
-  --x2 Assembled front universal driveshaft
-  --x2 Assembled rear universal driveshaft
-  --x1 Steering hub carrier
-  --x2 Rear hub carrier
-  --x2 Steering block
-  --x8 5x10mm bearing

Mark of Hub carrier

FL4G OG

F=Front
L=Left
4=Caster angle 4deg
G=Graphite

O=Rear hub Toe angle In Odeg

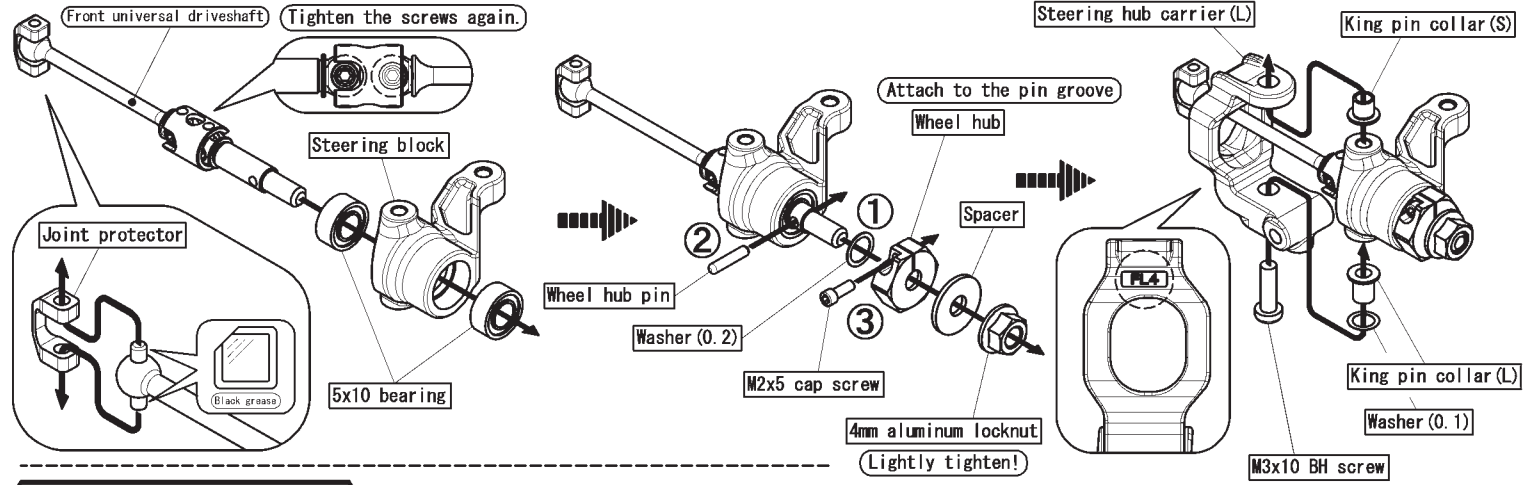


Front Hub Carrier Assembly

Assemble 2 sets

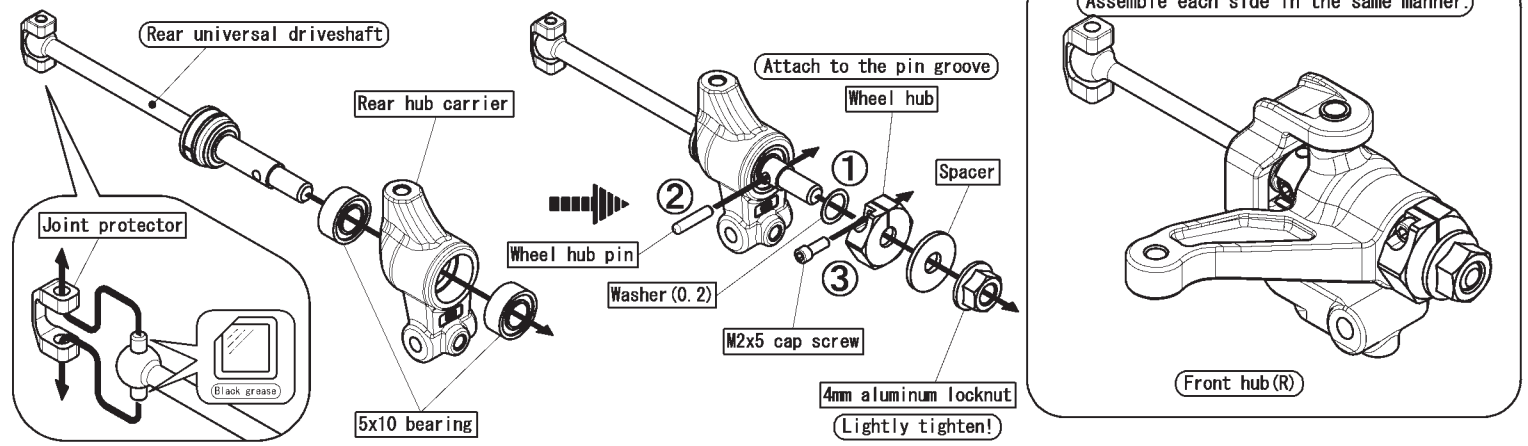
(The steering hub carriers are different left and right.)

Pay attention to the direction of the part!



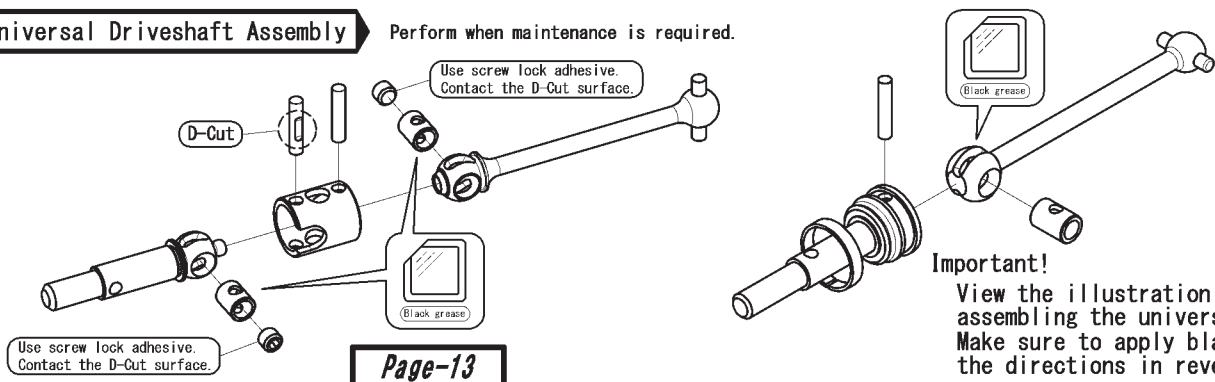
Rear Hub Carrier Assembly

Assemble 2 sets












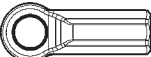
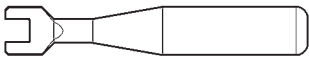


Universal Driveshaft Assembly

Perform when maintenance is required.



[Bag-10 Contents]

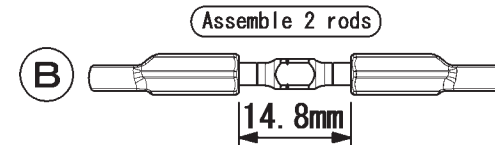
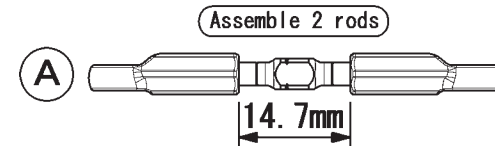
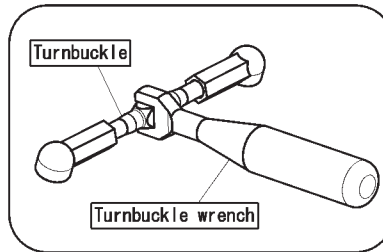
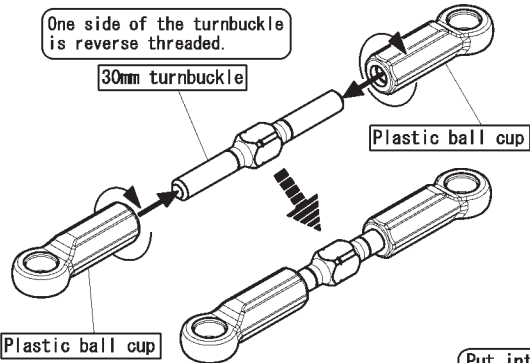
-  --x4 3x4mm set screw
-  --x4 30mm turnbuckle
-  --x2 King pin ball
-  --x6 Ball stud
-  --x2 0.5mm spacer
-  --x2 1.0mm spacer
-  --x2 1.5mm spacer
-  --x2 2.0mm spacer
-  --x4 Washer (0.1mm)
-  --x2 Outer suspension arm pin (S)
-  --x2 Outer suspension arm pin (L)
-  --x8 Plastic ball cup
-  --x1 Turnbuckle wrench

Drive cup slit

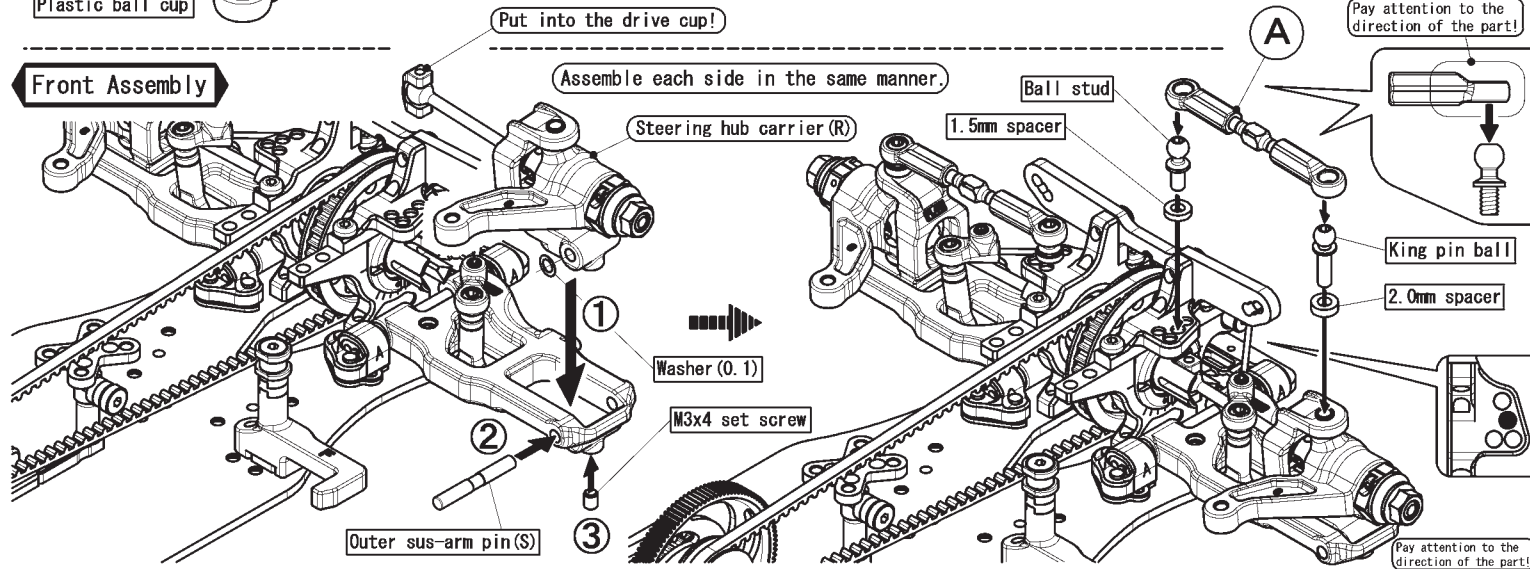


Important!

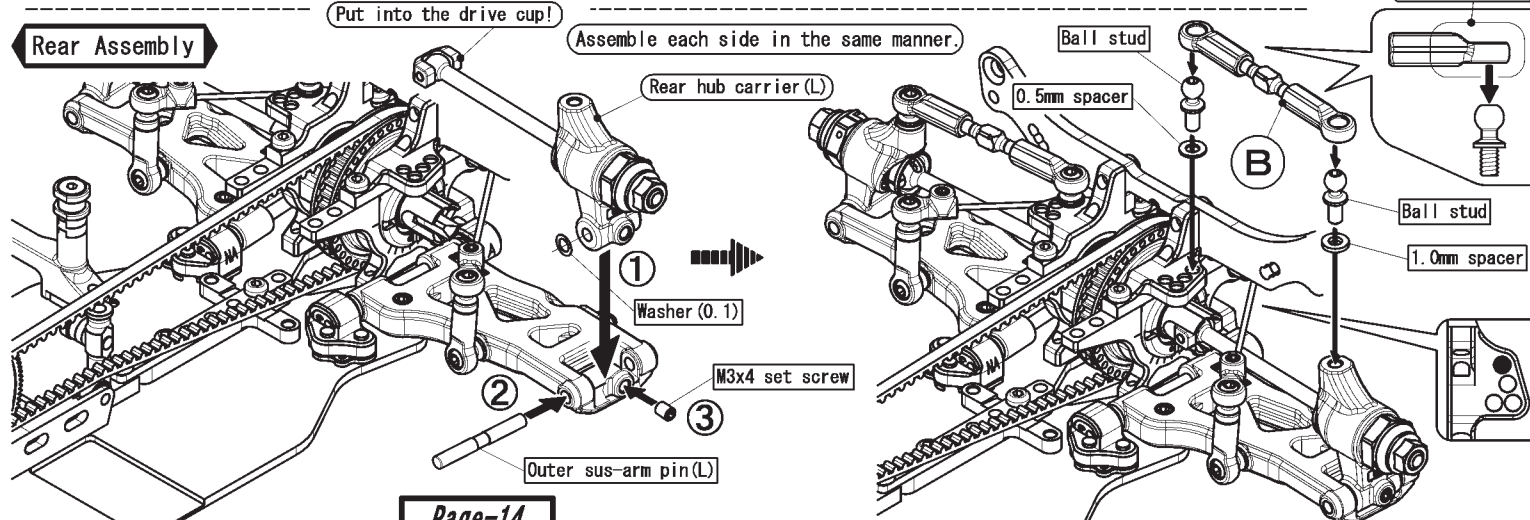
- ① Always apply black grease to the drive cup.
- ② Please keep 4pcs caps for the optional B9-RTC.



Front Assembly



Rear Assembly



[Bag-11 Contents]

- 3x6mm flat head screw --x2
- 3x6mm button head screw --x4
- Ball stud (S) --x1
- Ball stud (M) --x2
- Ball stud --x3
- 20mm turnbuckle --x1
- 39mm turnbuckle --x2

- 1.0mm spacer --x2
- 1.5mm spacer --x2
- 2.0mm spacer --x1

- (A) Bell crank --x1
- (B) Bell crank --x1
- Bell crank post --x2

- Center link --x1
- Servo horn (3 different types included.)

- 5x8mm bearing --x4

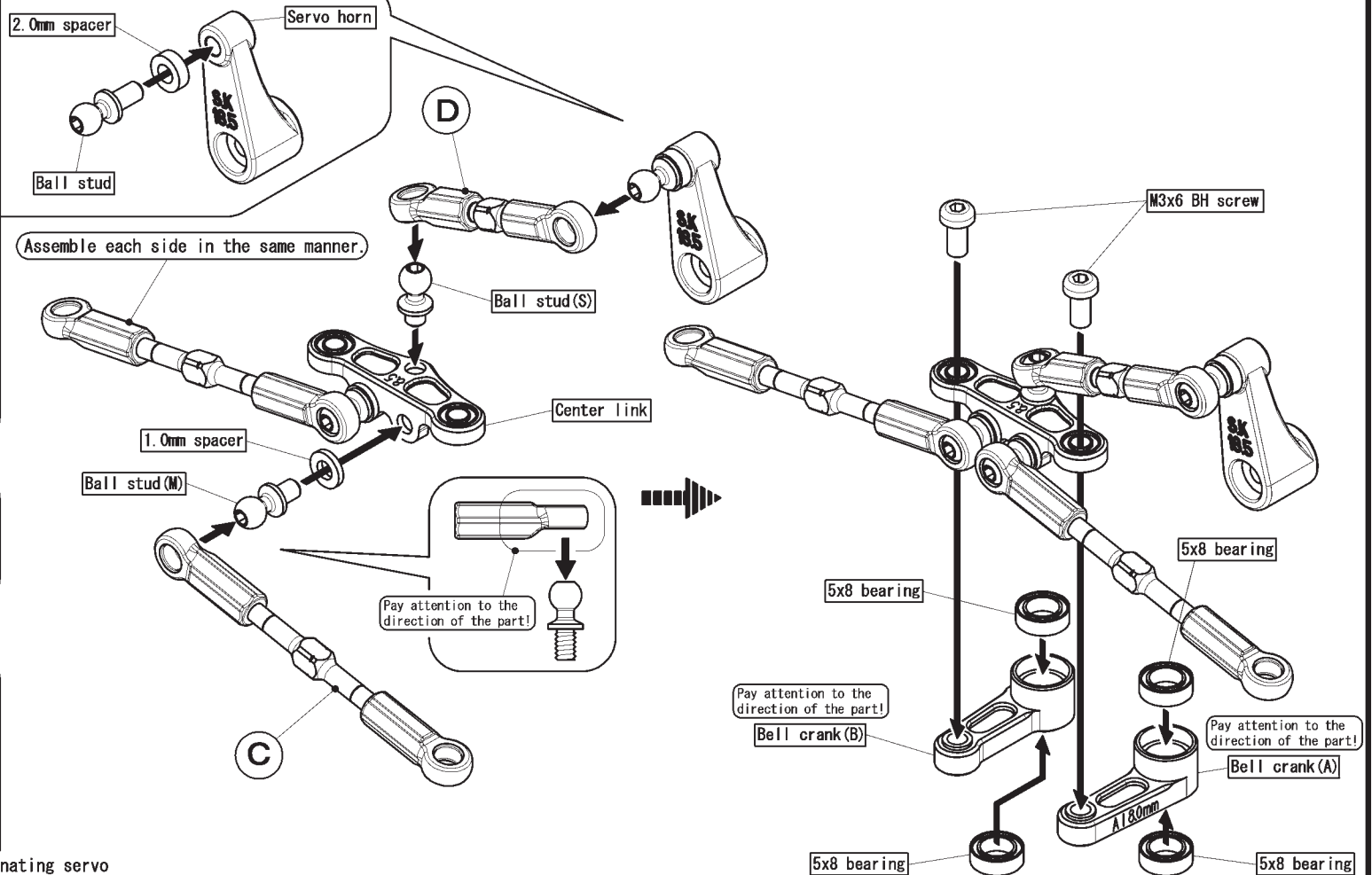
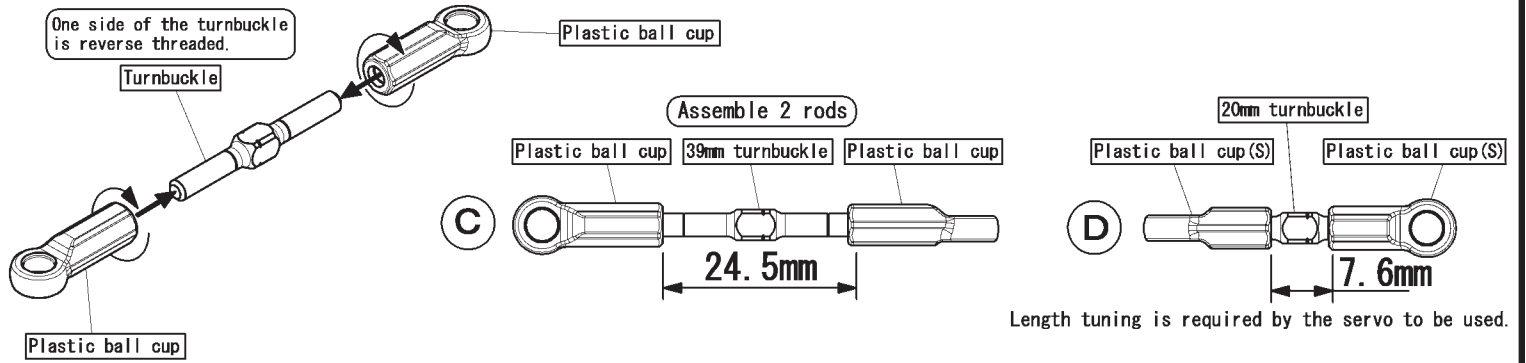
Remaining parts from [Bag-10 Contents]

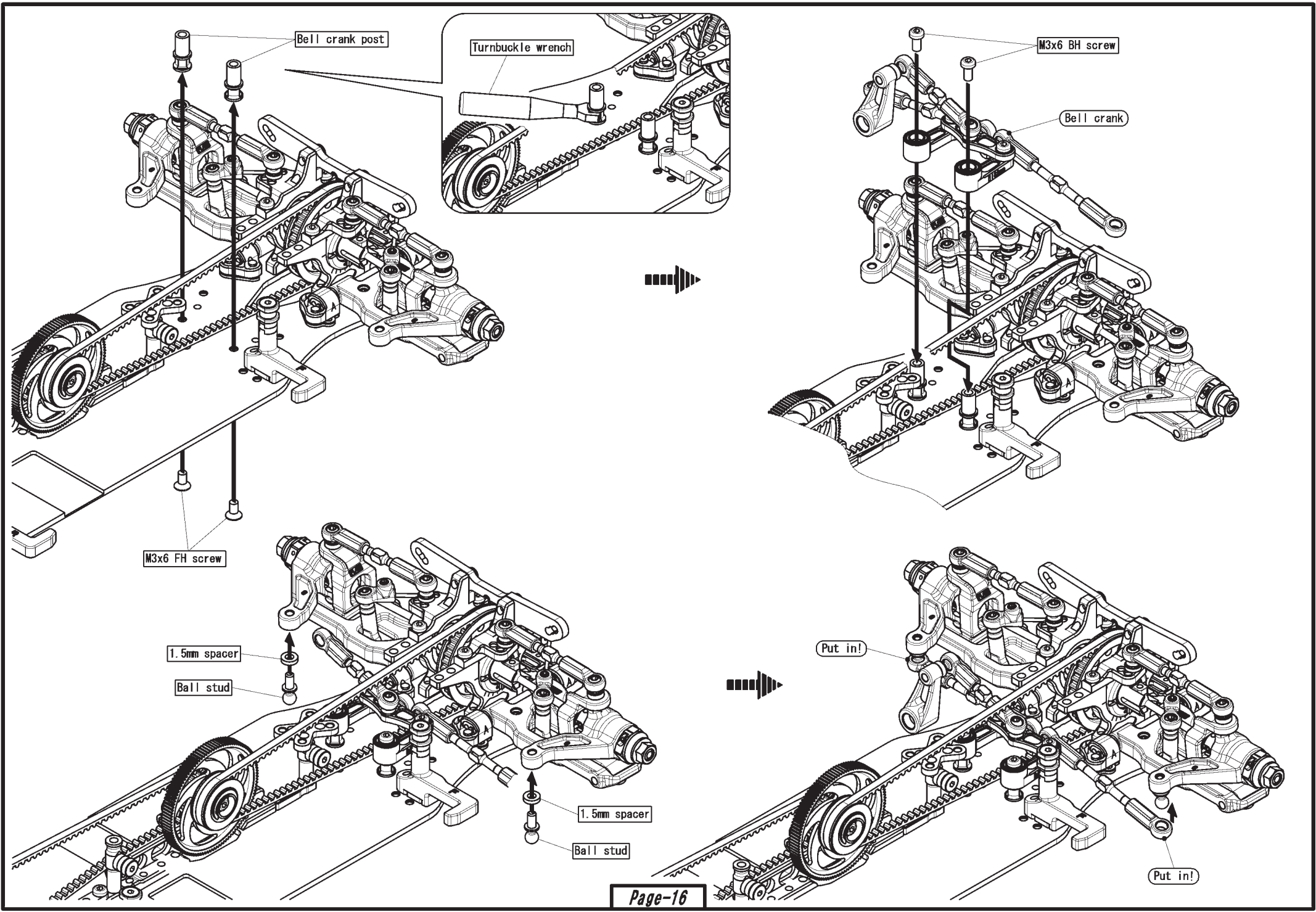
- Plastic ball cup --x4
- Plastic ball cup (S) --x2



Mark	Manufacturer
F	Futaba
H	Hitec
S. K	Sanwa, KO, JR

The included servo horns are marked with a letter designating servo compatibility. Select the servo horn matching the servo being used.





Bell crank post

Turnbuckle wrench

M3x6 BH screw

Bell crank

M3x6 FH screw

1.5mm spacer

Ball stud

1.5mm spacer

Ball stud

Put in!

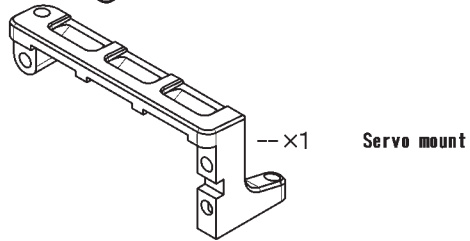
Put in!

[Bag-12 Contents]

---x3 3x6mm flat head screw

---x3 3x8mm flat head screw

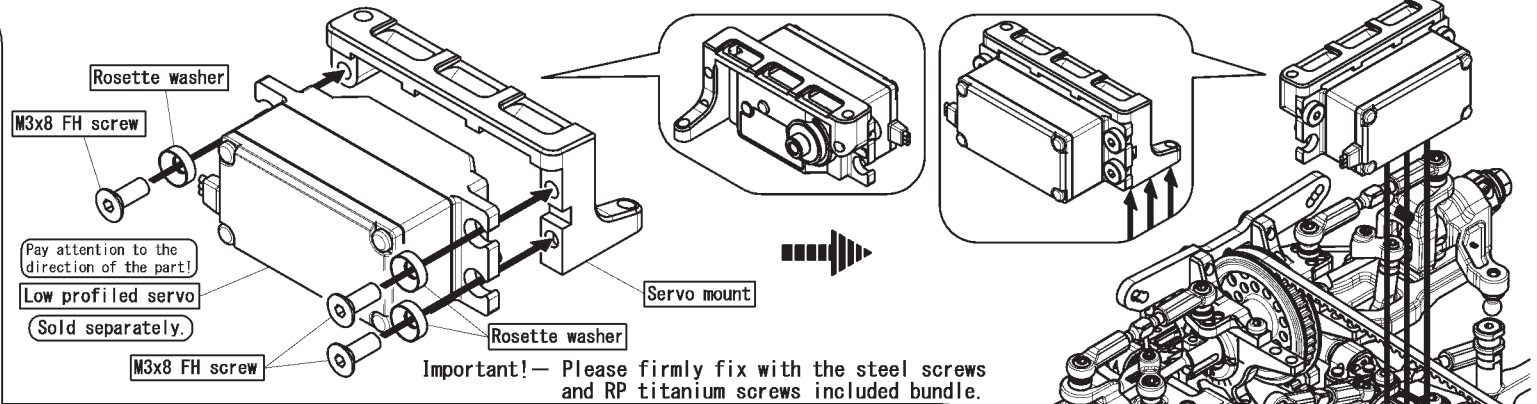
---x3 Rosette washer



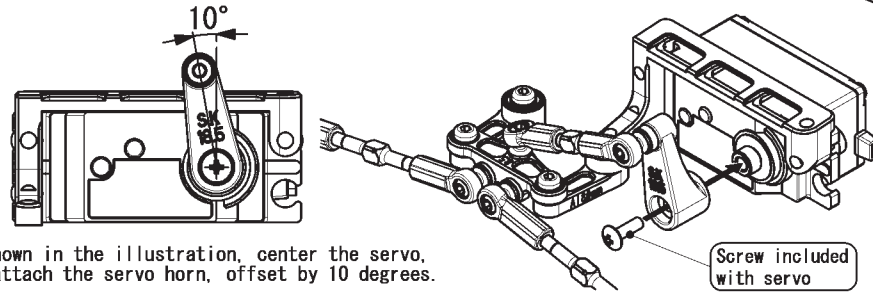
Servo horn screws

---x1 3x8mm button head screw

---x1 3x10mm button head screw



Important!— Please firmly fix with the steel screws and RP titanium screws included bundle.



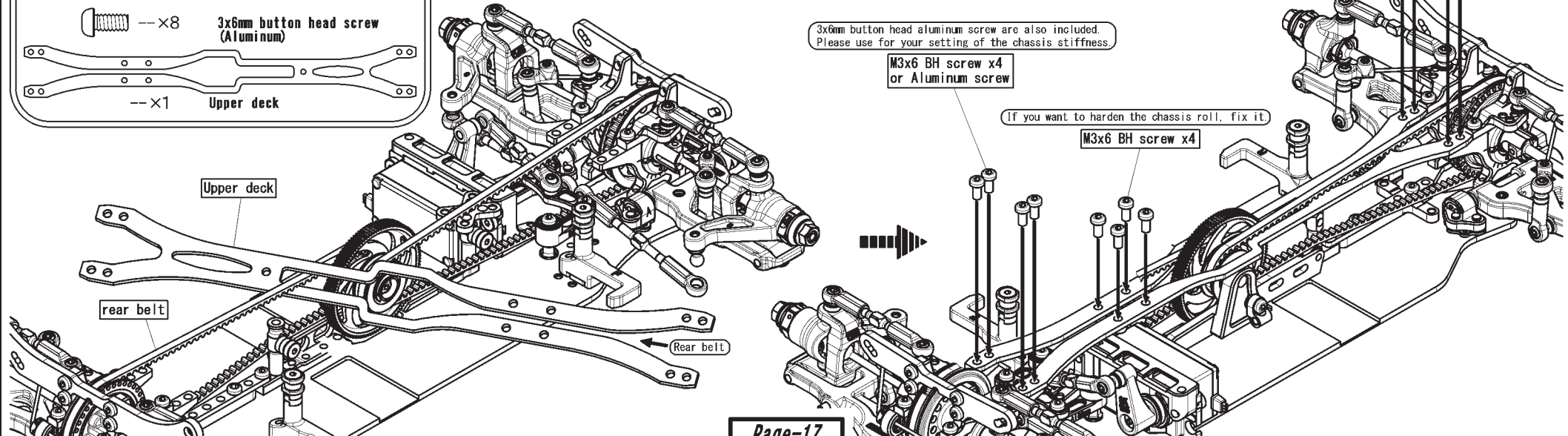
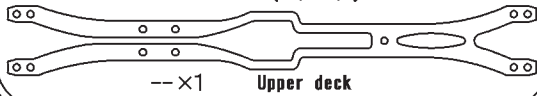
As shown in the illustration, center the servo, and attach the servo horn, offset by 10 degrees.

M3x6 FH screw

[Bag-13 Contents]

---x12 3x6mm button head screw

---x8 3x6mm button head screw (Aluminum)



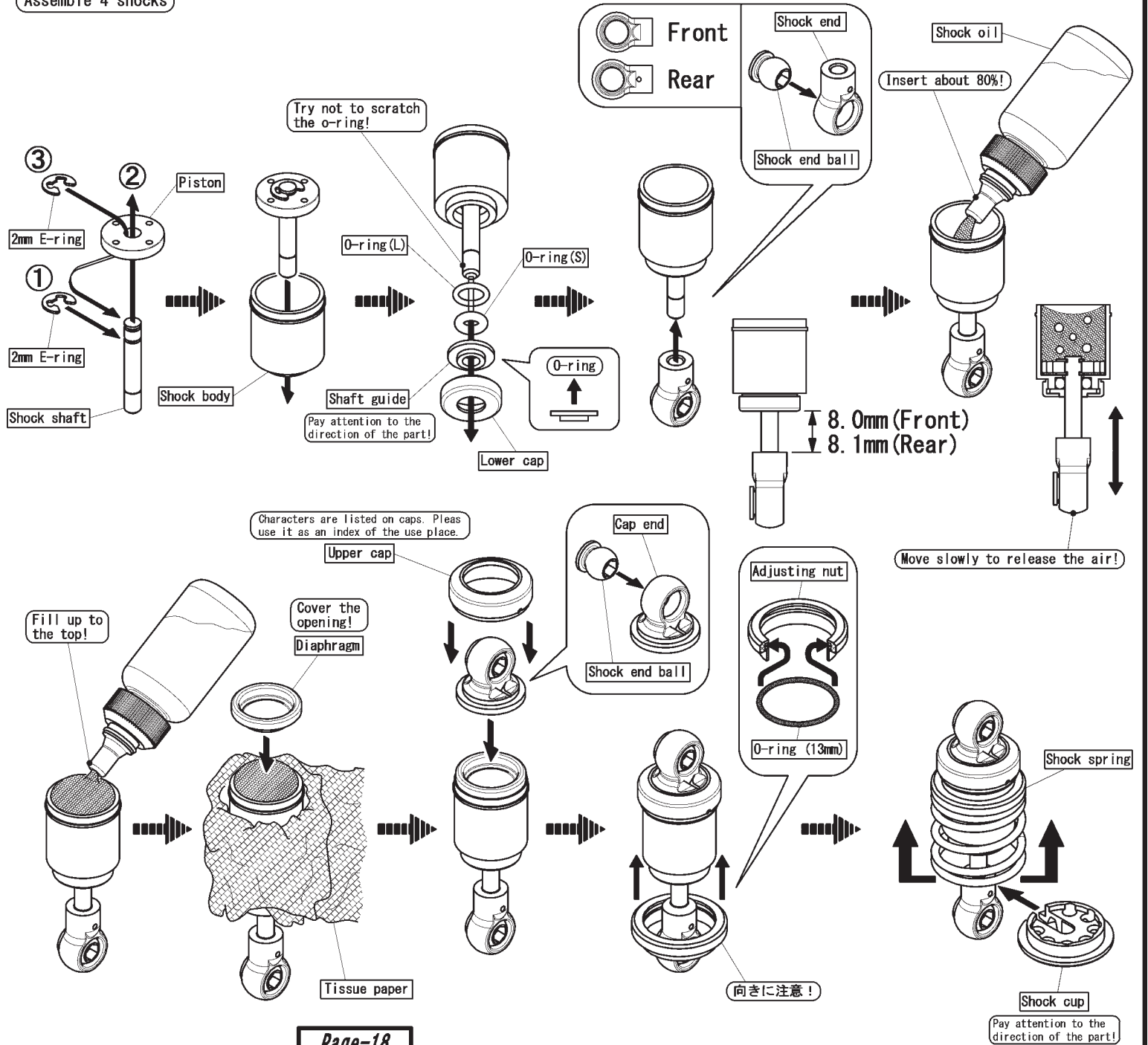
[Bag-14 Contents]

- x2 3x6mm button head screw
- x2 3x8mm button head screw
- x4 Shock shaft
- x6 1.5mm spacer
- x2 2.0mm spacer
- x4 Piston
- x8 2mm E-ring
- x2 O-ring(L)
- x2 O-ring(S)
- x4 Shaft guide
- x4 Cap end
- x4 Upper cap
- x4 Lower cap
- x4 Spring cup
- x2 Shock end
- x8 Shock end ball
- x4 Adjusting nut
- x4 O-ring (13mm diameter)
- x4 Shock body
- x4 Diaphragm
- x2 For front use. Progressive type [2.4-2.9]
- x2 For rear use. Progressive type [2.45-2.75]

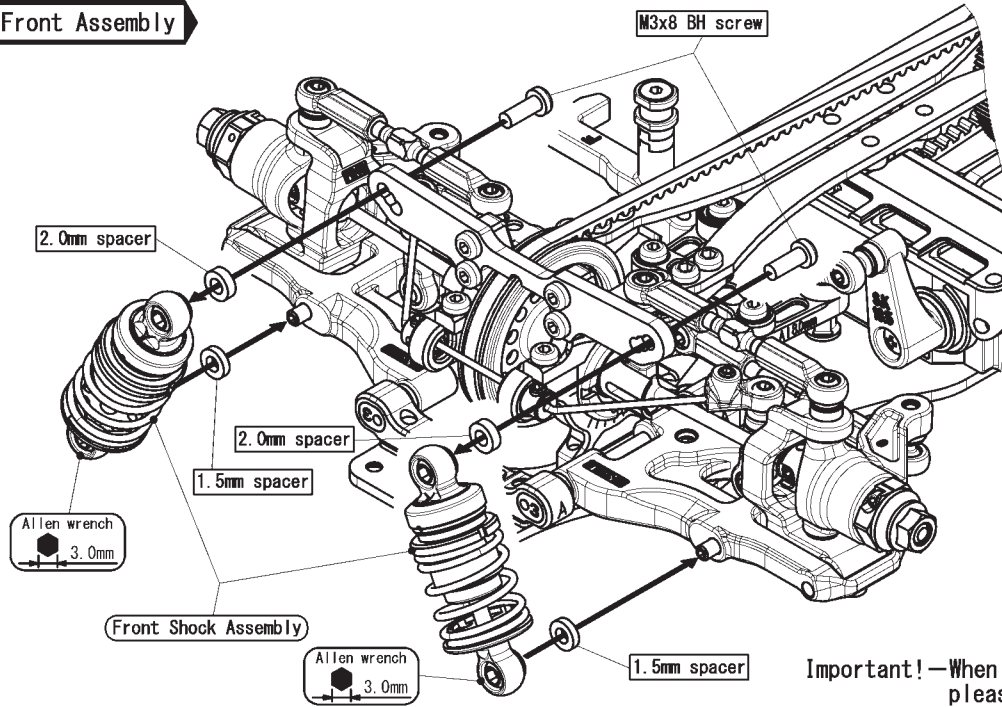
[Oil Bag]

#350 shock oil --x1

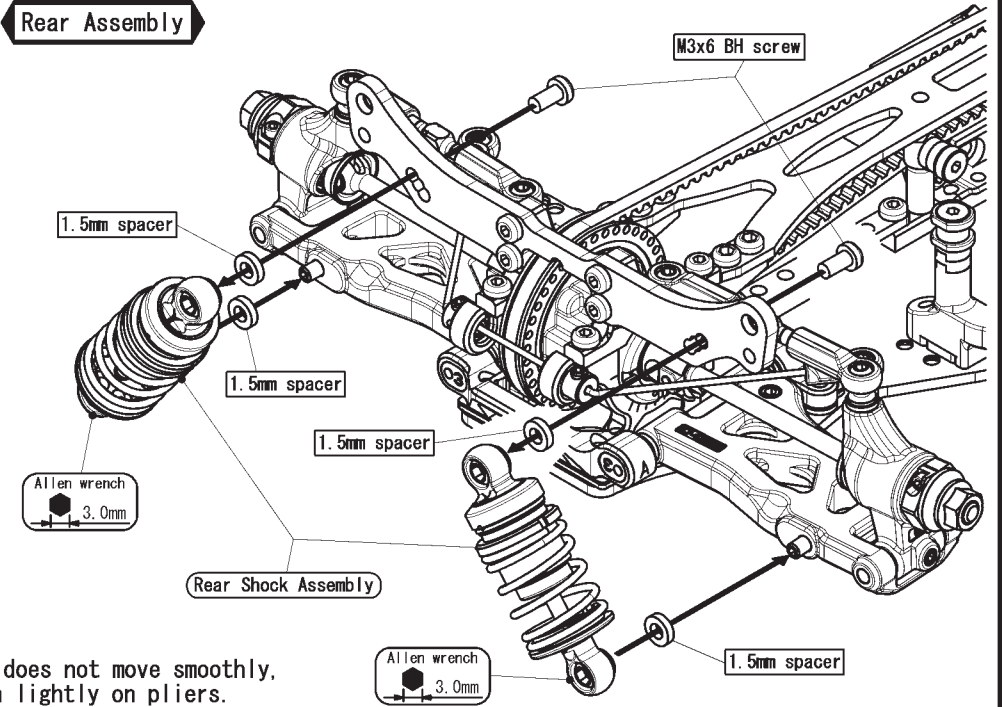
Assemble 4 shocks



Front Assembly

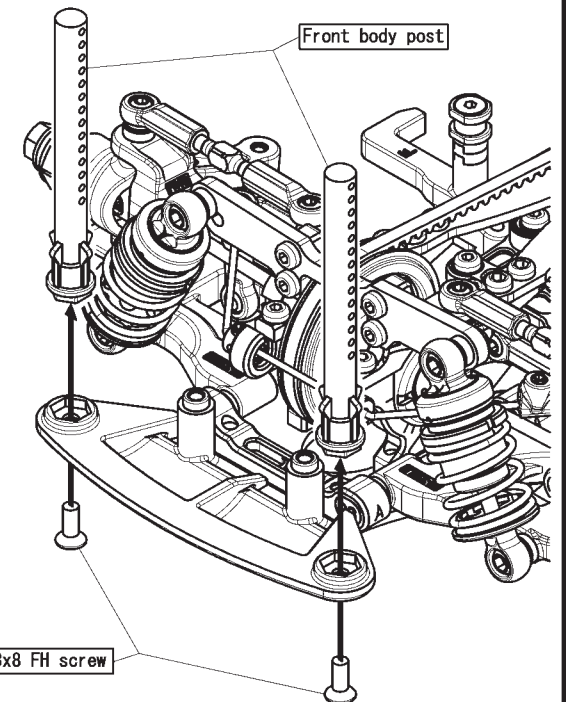
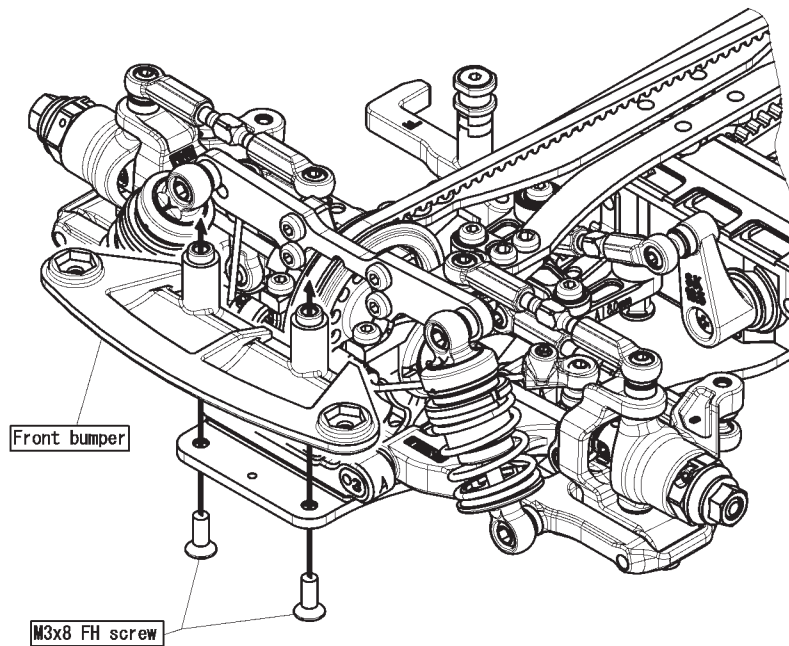
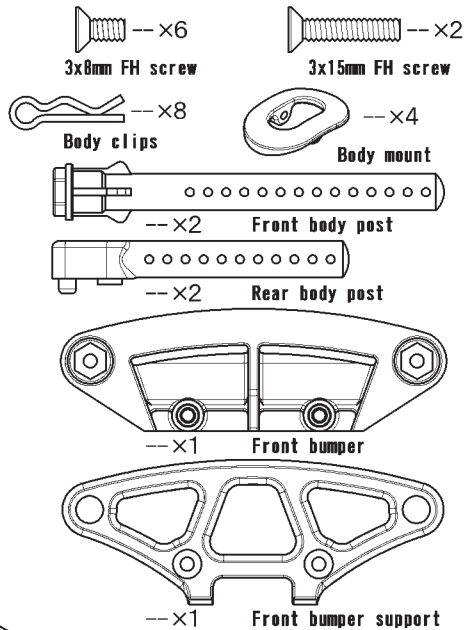


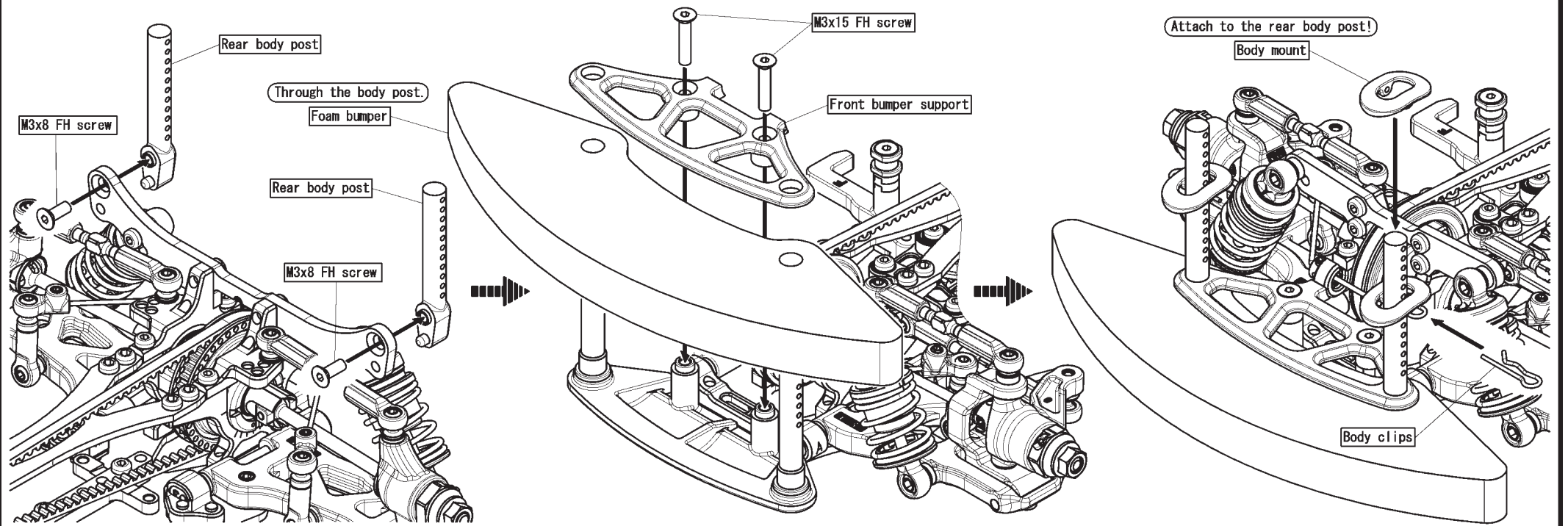
Rear Assembly



Important!—When a ball does not move smoothly, please crush lightly on pliers.

[Bag-15 Contents]



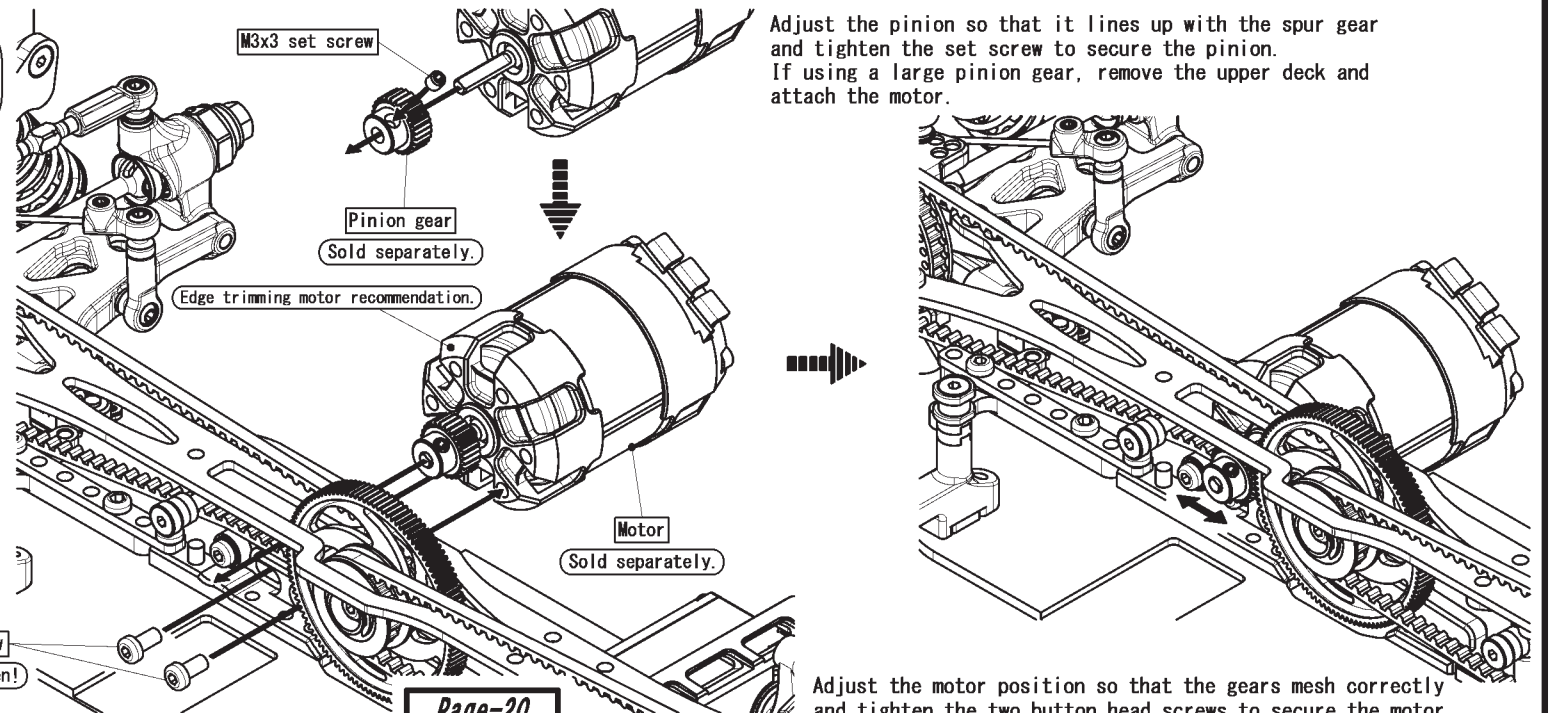


[Bag-16 Contents]

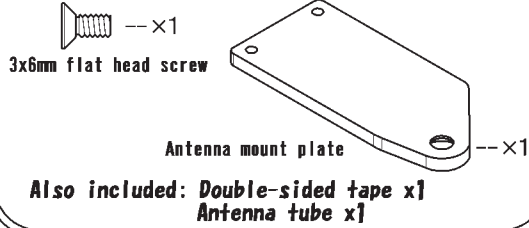
 --x2 3x6mm button head screw

Important!

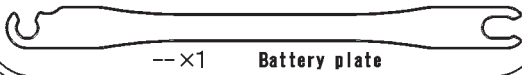
- ① Motor and pinion gear not included in kit. Please purchase separately.
- ② Install the pinion so that the set screw is tightened onto the flat portion of the motor shaft.
- ③ Adjust the gear mesh to allow a very small gap between the teeth of the pinion and spur gear.
(improper adjustment of the pinion and spur may result in damage to the gears.)
- ④ Continuous running of the motor will result in shorter motor life. Allow the motor to cool between runs.



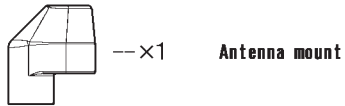
[Bag-16 Contents]



Remaining parts from [Bag-4 Contents]

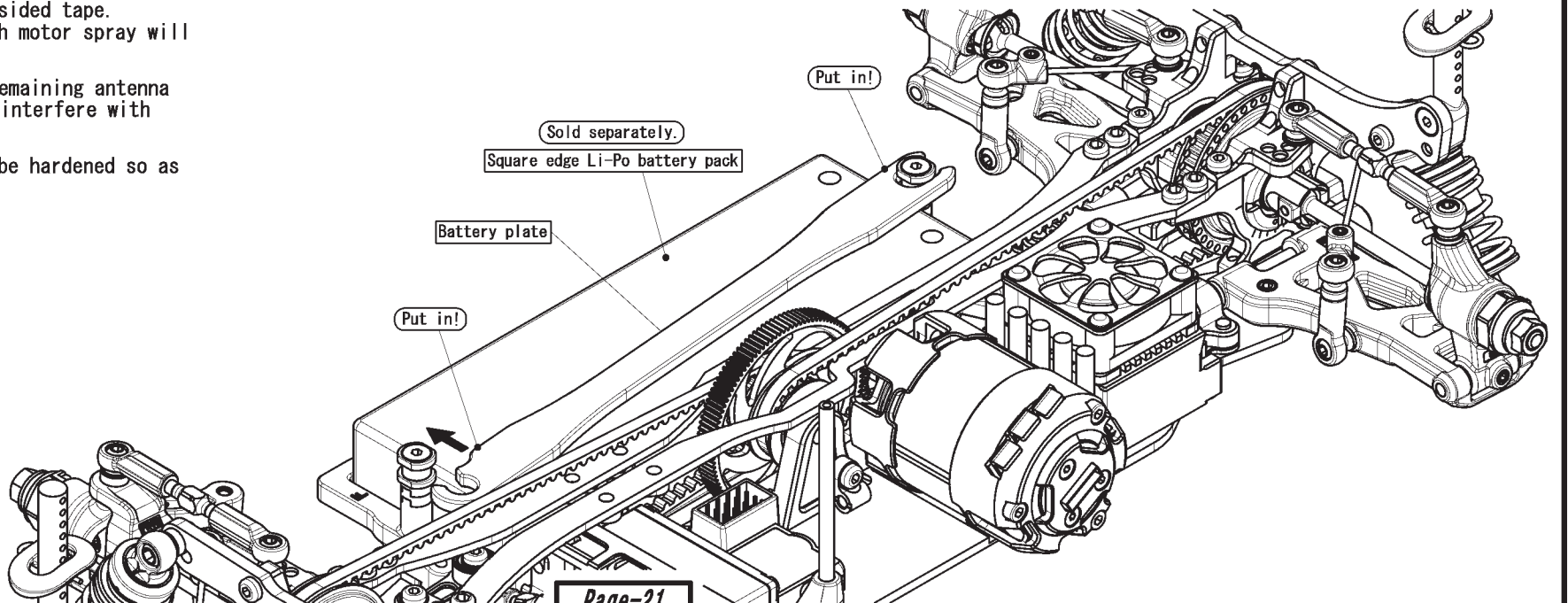
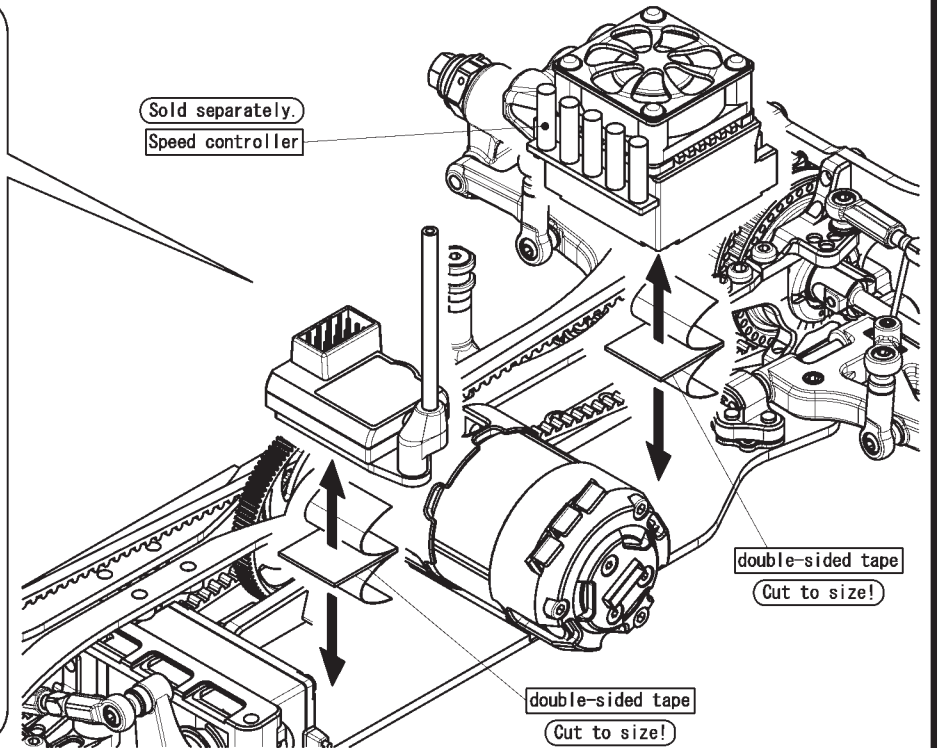
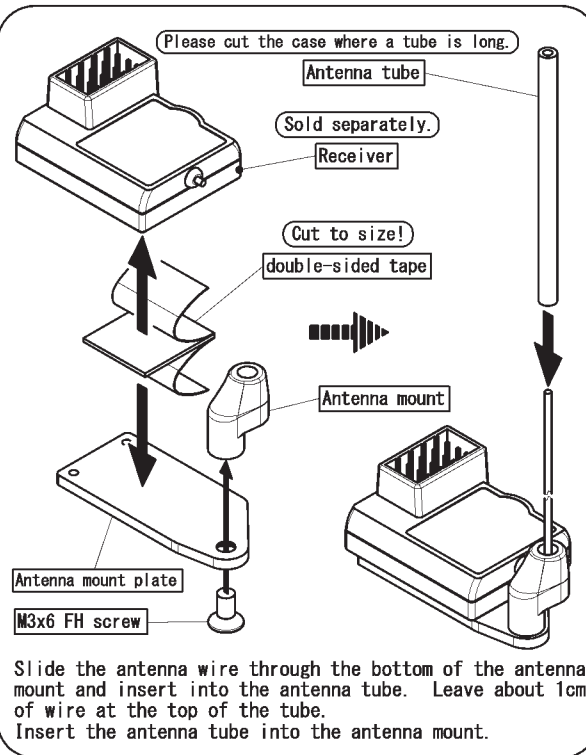


Remaining parts from [Bag-11 Contents]



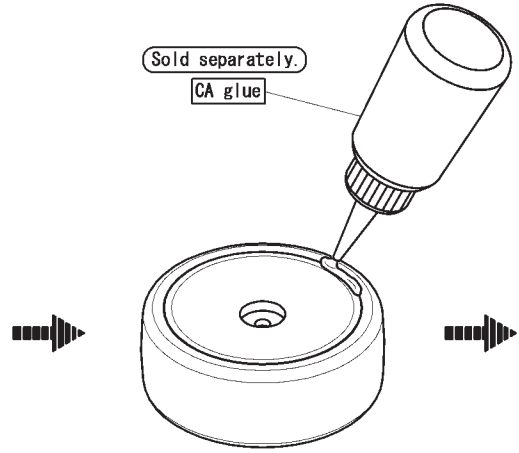
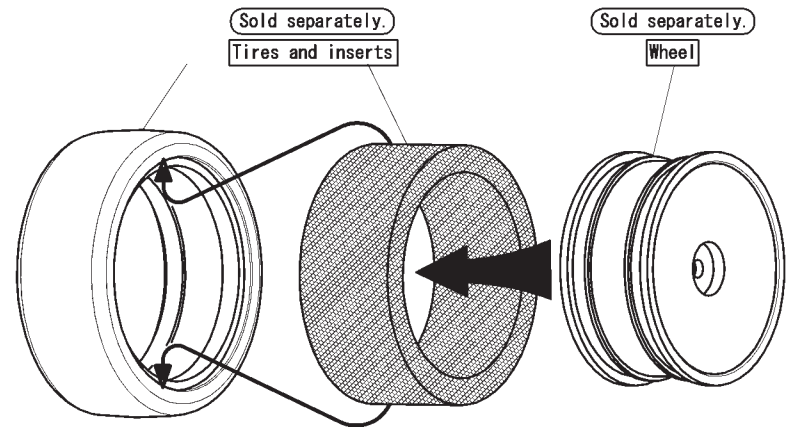
Important!

- ① Secure the receiver and speed controller to the chassis using double-sided tape. (Cleaning the surface with motor spray will ensure better adhesion.)
- ② Make sure to bundle any remaining antenna wire so that it does not interfere with the drivetrain.
- ③ Battery plate is made to be hardened so as not to come off.

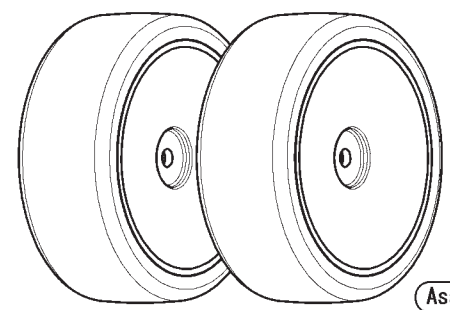


Tire Assembly

Place the insert into the tire, and mount the tire onto the wheel.
(Wheels and tires and inserts sold separately.)



Pull the sidewall of the tire slightly away from the rim and apply CA (Cyanoacrylate) glue in between the tire bead and rim. Make sure that the bead settles onto the rim properly after each application. Slowly work your way around the tire. Allow glue to dry, then repeat on other side.



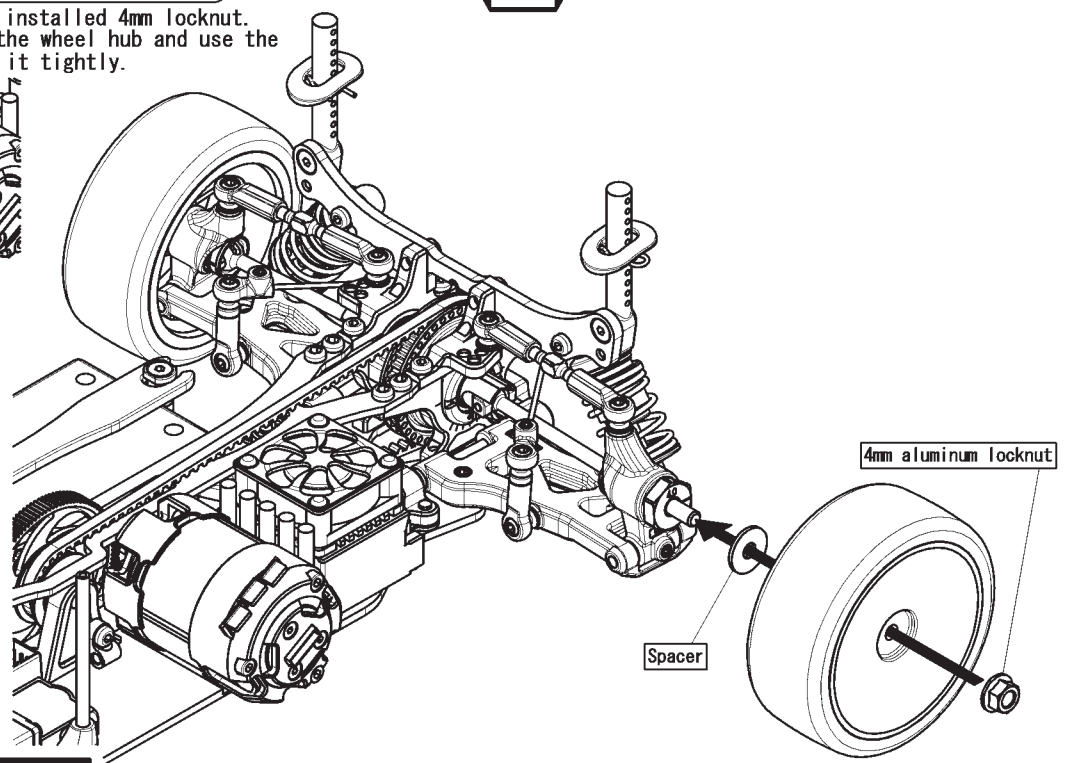
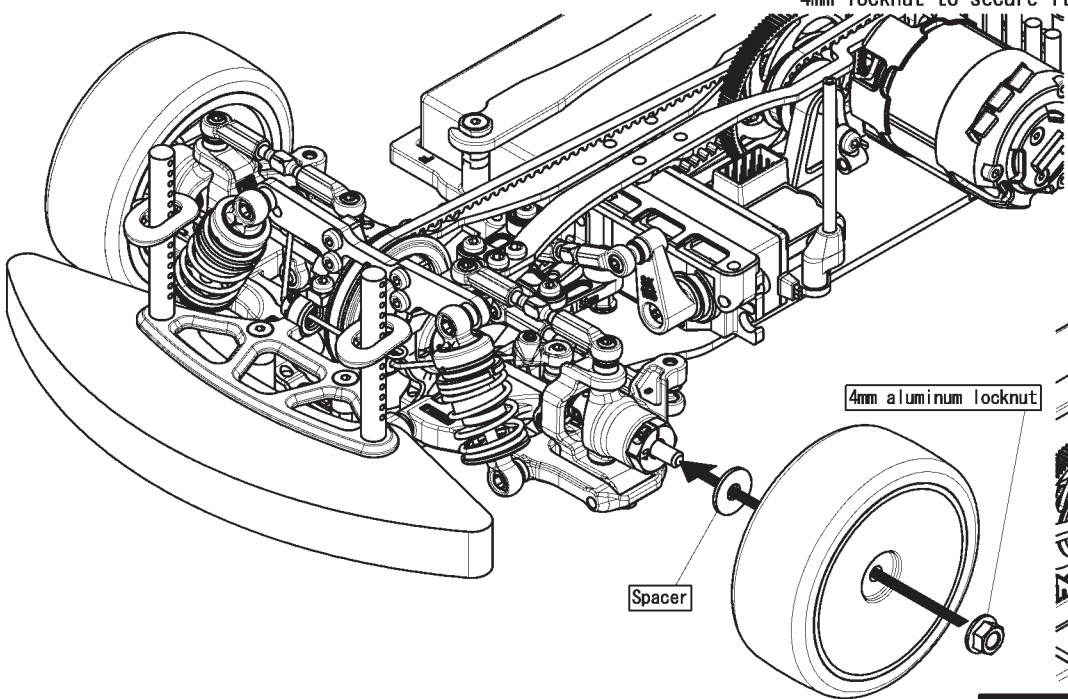
Assemble 4 sets

FRONT

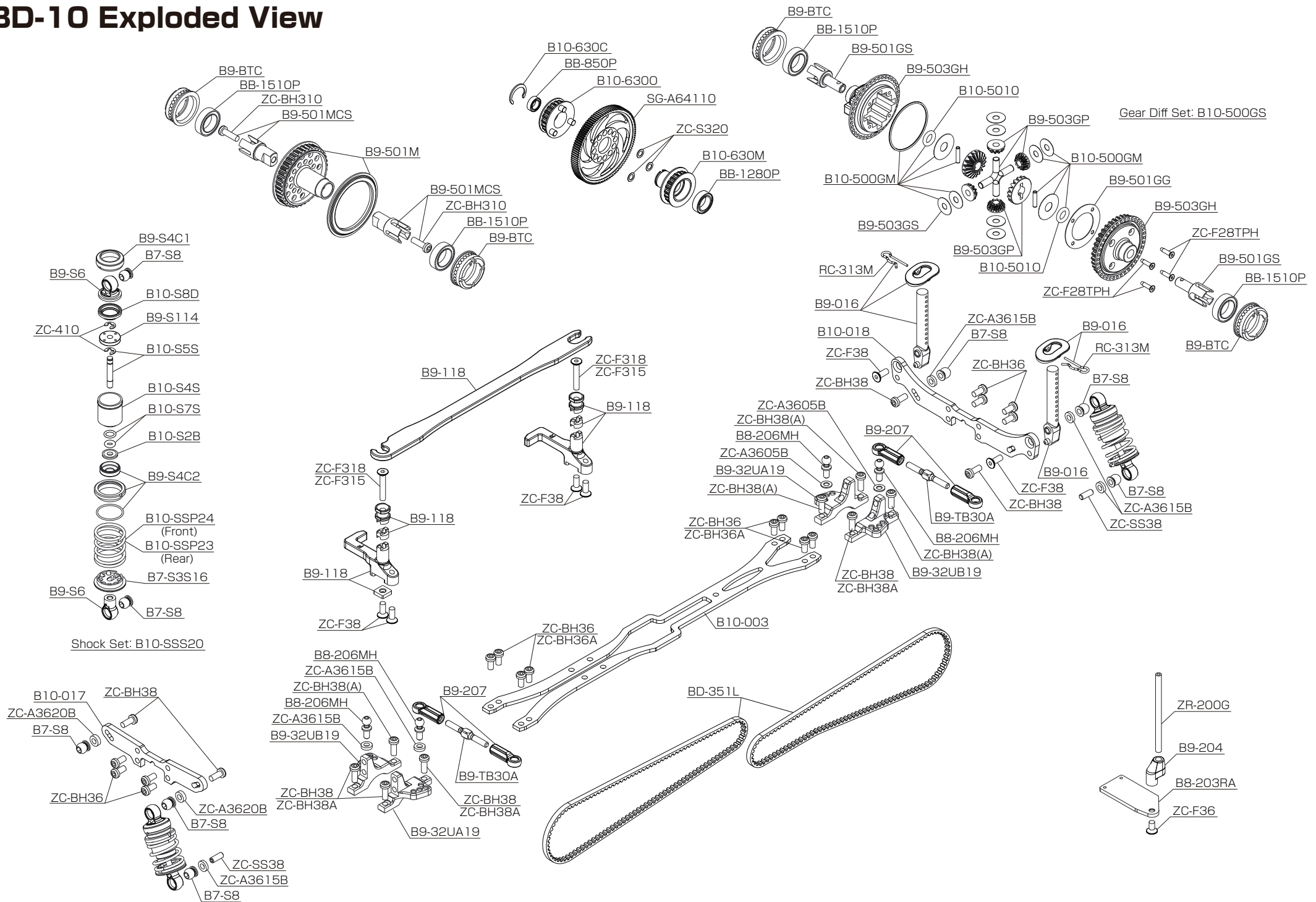
REAR

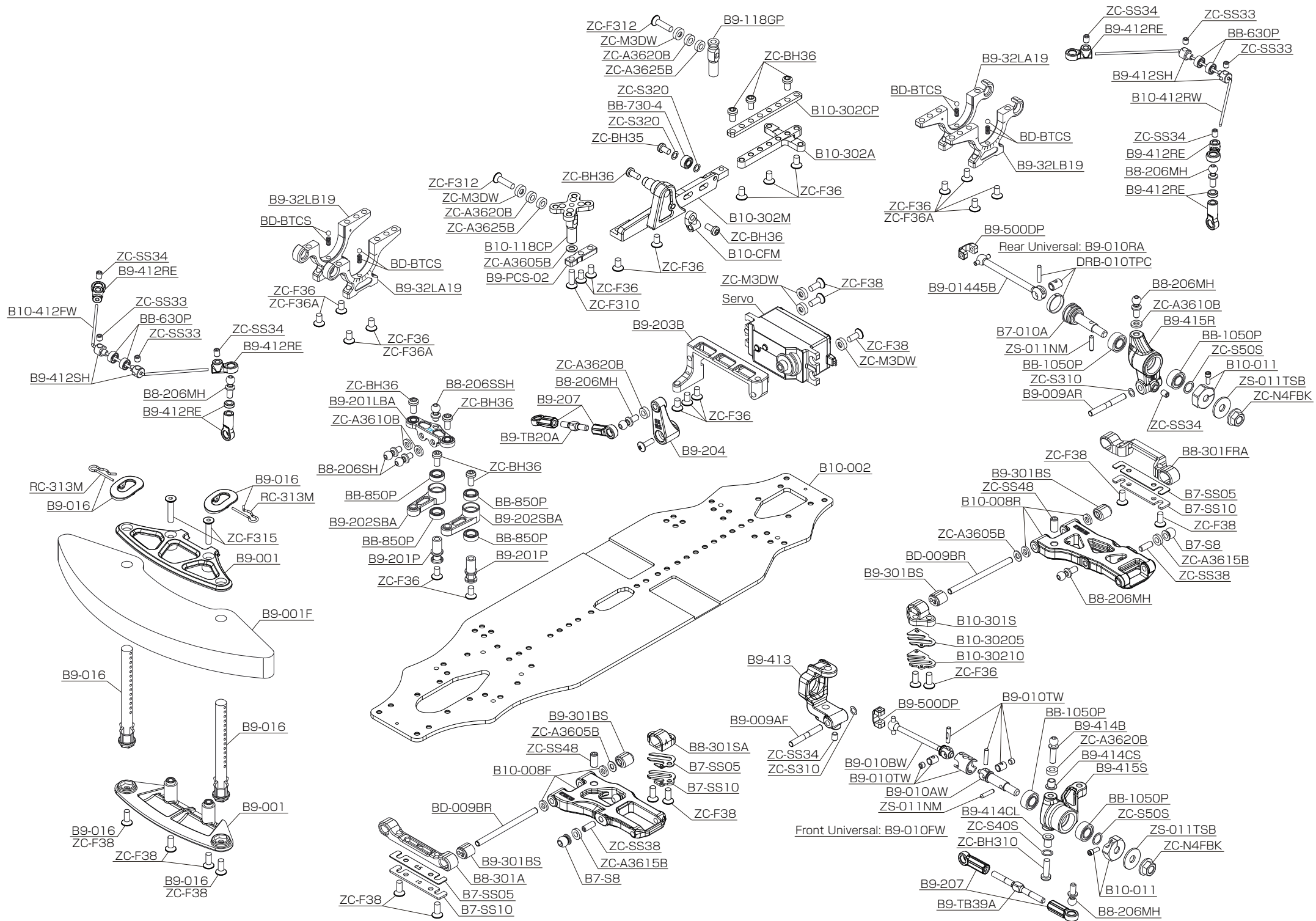
Assemble each side in the same manner.

Remove the previously installed 4mm locknut. Mount the wheel onto the wheel hub and use the 4mm locknut to secure it tightly.



BD-10 Exploded View





◇BD10 GEAR RATIO (64pitch)◇

2nd RATIO		SPUR																															
1.900	75	76	77	78	79	80	81	82	83	84	85	86	87	88	89	90	91	92	93	94	95												
23	6.196	6.278	6.361	6.443	6.526	6.609	6.691	6.774	6.857	6.939	7.022	7.104	7.187	7.270	7.352	7.435	7.517	7.600	7.683	7.765	7.848												
24	5.938	6.017	6.096	6.175	6.254	6.333	6.413	6.492	6.571	6.650	6.729	6.808	6.888	6.967	7.046	7.125	7.204	7.283	7.363	7.442	7.521												
25	5.700	5.776	5.852	5.928	6.004	6.080	6.156	6.232	6.308	6.384	6.460	6.536	6.612	6.688	6.764	6.840	6.916	6.992	7.068	7.144	7.220												
26	5.481	5.554	5.627	5.700	5.773	5.846	5.919	5.992	6.065	6.138	6.212	6.285	6.358	6.431	6.504	6.577	6.650	6.723	6.796	6.869	6.942												
27	5.278	5.348	5.419	5.489	5.559	5.630	5.700	5.770	5.841	5.911	5.981	6.052	6.122	6.193	6.263	6.333	6.404	6.474	6.544	6.615	6.685												
28	5.089	5.157	5.225	5.293	5.361	5.429	5.496	5.564	5.632	5.700	5.768	5.836	5.904	5.971	6.039	6.107	6.175	6.243	6.311	6.379	6.446												
29	4.914	4.979	5.045	5.110	5.176	5.241	5.307	5.372	5.438	5.503	5.569	5.634	5.700	5.766	5.831	5.897	5.962	6.028	6.093	6.159	6.224												
30	4.750	4.813	4.877	4.940	5.003	5.067	5.130	5.193	5.257	5.320	5.383	5.447	5.510	5.573	5.637	5.700	5.763	5.827	5.890	5.953	6.017												
31	4.597	4.658	4.719	4.781	4.842	4.903	4.965	5.026	5.087	5.148	5.210	5.271	5.332	5.394	5.455	5.516	5.577	5.639	5.700	5.761	5.823												
32	4.453	4.513	4.572	4.631	4.691	4.750	4.809	4.869	4.928	4.988	5.047	5.106	5.166	5.225	5.284	5.344	5.403	5.463	5.522	5.581	5.641												
33	4.318	4.376	4.433	4.491	4.548	4.606	4.664	4.721	4.779	4.836	4.894	4.952	5.009	5.067	5.124	5.182	5.239	5.297	5.355	5.412	5.470												
34	4.191	4.247	4.303	4.359	4.415	4.471	4.526	4.582	4.638	4.694	4.750	4.806	4.862	4.918	4.974	5.029	5.085	5.141	5.197	5.253	5.309												
35	4.071	4.126	4.180	4.234	4.289	4.343	4.397	4.451	4.506	4.560	4.614	4.669	4.723	4.777	4.831	4.886	4.940	4.994	5.049	5.103	5.157												
36	3.958	4.011	4.064	4.117	4.169	4.222	4.275	4.328	4.381	4.433	4.486	4.539	4.592	4.644	4.697	4.750	4.803	4.856	4.908	4.961	5.014												
37	3.851	3.903	3.954	4.005	4.057	4.108	4.159	4.211	4.262	4.314	4.365	4.416	4.468	4.519	4.570	4.622	4.673	4.724	4.776	4.827	4.878												
38	3.750	3.800	3.850	3.900	3.950	4.000	4.050	4.100	4.150	4.200	4.250	4.300	4.350	4.400	4.450	4.500	4.550	4.600	4.650	4.700	4.750												
39	3.654	3.703	3.751	3.800	3.849	3.897	3.946	3.995	4.044	4.092	4.141	4.190	4.238	4.287	4.336	4.385	4.433	4.482	4.531	4.579	4.628												
40	3.563	3.610	3.658	3.705	3.753	3.800	3.848	3.895	3.943	3.990	4.038	4.085	4.133	4.180	4.228	4.275	4.323	4.370	4.418	4.465	4.513												
41	3.476	3.522	3.568	3.615	3.661	3.707	3.754	3.800	3.846	3.893	3.939	3.985	4.032	4.078	4.124	4.171	4.217	4.263	4.310	4.356	4.402												
42	3.393	3.438	3.483	3.529	3.574	3.619	3.664	3.710	3.755	3.800	3.845	3.890	3.936	3.981	4.026	4.071	4.117	4.162	4.207	4.252	4.298												
43	3.314	3.358	3.402	3.447	3.491	3.535	3.579	3.623	3.667	3.712	3.756	3.800	3.844	3.888	3.933	3.977	4.021	4.065	4.109	4.153	4.198												
44	3.239	3.282	3.325	3.368	3.411	3.455	3.498	3.541	3.584	3.627	3.670	3.714	3.757	3.800	3.843	3.886	3.930	3.973	4.016	4.059	4.102												
45	3.167	3.209	3.251	3.293	3.336	3.378	3.420	3.462	3.504	3.547	3.589	3.631	3.673	3.716	3.758	3.800	3.842	3.884	3.927	3.969	4.011												
46	3.098	3.139	3.180	3.222	3.263	3.304	3.346	3.387	3.428	3.470	3.511	3.552	3.593	3.635	3.676	3.717	3.759	3.800	3.841	3.883	3.924												
47	3.032	3.072	3.113	3.153	3.194	3.234	3.274	3.315	3.355	3.396	3.436	3.477	3.517	3.557	3.598	3.638	3.679	3.719	3.760	3.800	3.840												
48	2.969	3.008	3.048	3.088	3.127	3.167	3.206	3.246	3.285	3.325	3.365	3.404	3.444	3.483	3.523	3.563	3.602	3.642	3.681	3.721	3.760												
49	2.908	2.947	2.986	3.024	3.063	3.102	3.141	3.180	3.218	3.257	3.296	3.335	3.373	3.412	3.451	3.490	3.529	3.567	3.606	3.645	3.684												
50	2.850	2.888	2.926	2.964	3.002	3.040	3.078	3.116	3.154	3.192	3.230	3.268	3.306	3.344	3.382	3.420	3.458	3.496	3.534	3.572	3.610												
51	2.794	2.831	2.869	2.906	2.943	2.980	3.018	3.055	3.092	3.129	3.167	3.204	3.241	3.278	3.316	3.353	3.390	3.427	3.465	3.502	3.539												
52	2.740	2.777	2.813	2.850	2.887	2.923	2.960	2.996	3.033	3.069	3.106	3.142	3.179	3.215	3.252	3.288	3.325	3.362	3.398	3.435	3.471												
53	2.689	2.725	2.760	2.796	2.832	2.868	2.904	2.940	2.975	3.011	3.047	3.083	3.119	3.155	3.191	3.226	3.262	3.298	3.334	3.370	3.406												
54	2.639	2.674	2.709	2.744	2.780	2.815	2.850	2.885	2.920	2.956	2.991	3.026	3.061	3.096	3.131	3.167	3.202	3.237	3.272	3.307	3.343												
55	2.591	2.625	2.660	2.695	2.729	2.764	2.798	2.833	2.867	2.902	2.936	2.971	3.005	3.040	3.075	3.109	3.144	3.178	3.213	3.247	3.282												
56	2.545	2.579	2.613	2.646	2.680	2.714	2.748	2.782	2.816	2.850	2.884	2.918	2.952	2.986	3.020	3.054	3.088	3.121	3.155	3.189	3.223												
57	2.500	2.533	2.567	2.600	2.633	2.667	2.700	2.733	2.767	2.800	2.833	2.867	2.900	2.933	2.967	3.000	3.033	3.067	3.100	3.133	3.167												
58	2.457	2.490	2.522	2.555	2.588	2.621	2.653	2.686	2.719	2.752	2.784	2.817	2.850	2.883	2.916	2.948	2.981	3.014	3.047	3.079	3.112												
59	2.415	2.447	2.480	2.512	2.544	2.576	2.608	2.641	2.673	2.705	2.737	2.769	2.802	2.834	2.866	2.898	2.931	2.963	2.995	3.027	3.059												
60	2.375	2.407	2.438	2.470	2.502	2.533	2.565	2.597	2.628	2.660	2.692	2.723	2.755	2.787	2.818	2.850	2.882	2.913	2.945	2.977	3.008												
61	2.336	2.367	2.398	2.430	2.461	2.492	2.523	2.554	2.585	2.616	2.648	2.679	2.710	2.741	2.772	2.803	2.834	2.866	2.897	2.928	2.959												
62	2.298	2.329	2.360	2.390	2.421	2.452	2.482	2.513	2.544	2.574	2.605	2.635	2.666	2.697	2.727	2.758	2.789	2.819	2.850	2.881	2.911												
63	2.262	2.292	2.322	2.352	2.383	2.413	2.443	2.473	2.503	2.533	2.563	2.594	2.624	2.654	2.684	2.714	2.744	2.775	2.805	2.835	2.865												
64	2.227	2.256	2.286	2.316	2.345	2.375	2.405	2.434	2.464	2.494	2.523	2.553	2.583	2.613	2.642	2.672	2.702	2.731	2.761	2.791	2.820												

PNION GEAR

※使用するユニットの形状によりアッパーデッキとの干渉が異なりますので上記表とは使用範囲が異なる場合があります。

*Above available range depends on the motor shape because of the interference for the upper decks.

GEAR

96	97	98	99	100	101	102	103	104	105	106	107	108	109	110	111	112	113	114	115	116	
7.930	8.013	8.096	8.178	8.261	8.343	8.426	8.509	8.591	8.674	8.757	8.839	8.922	9.004	9.087	9.170	9.252	9.335	9.417	9.500	9.583	23
7.600	7.679	7.758	7.838	7.917	7.996	8.075	8.154	8.233	8.313	8.392	8.471	8.550	8.629	8.708	8.788	8.867	8.946	9.025	9.104	9.183	24
7.296	7.372	7.448	7.524	7.600	7.676	7.752	7.828	7.904	7.980	8.056	8.132	8.208	8.284	8.360	8.436	8.512	8.588	8.664	8.740	8.816	25
7.015	7.088	7.162	7.235	7.308	7.381	7.454	7.527	7.600	7.673	7.746	7.819	7.892	7.965	8.038	8.112	8.185	8.258	8.331	8.404	8.477	26
6.756	6.826	6.896	6.967	7.037	7.107	7.178	7.248	7.319	7.389	7.459	7.530	7.600	7.670	7.741	7.811	7.881	7.952	8.022	8.093	8.163	27
6.514	6.582	6.650	6.718	6.786	6.854	6.921	6.989	7.057	7.125	7.193	7.261	7.329	7.396	7.464	7.532	7.600	7.668	7.736	7.804	7.871	28
6.290	6.355	6.421	6.486	6.552	6.617	6.683	6.748	6.814	6.879	6.945	7.010	7.076	7.141	7.207	7.272	7.338	7.403	7.469	7.534	7.600	29
6.080	6.143	6.207	6.270	6.333	6.397	6.460	6.523	6.587	6.650	6.713	6.777	6.840	6.903	6.967	7.030	7.093	7.157	7.220	7.283	7.347	30
5.884	5.945	6.006	6.068	6.129	6.190	6.252	6.313	6.374	6.435	6.497	6.558	6.619	6.681	6.742	6.803	6.865	6.926	6.987	7.048	7.110	31
5.700	5.759	5.819	5.878	5.938	5.997	6.056	6.116	6.175	6.234	6.294	6.353	6.413	6.472	6.531	6.591	6.650	6.709	6.769	6.828	6.888	32
5.527	5.585	5.642	5.700	5.758	5.815	5.873	5.930	5.988	6.045	6.103	6.161	6.218	6.276	6.333	6.391	6.448	6.506	6.564	6.621	6.679	33
5.365	5.421	5.476	5.532	5.588	5.644	5.700	5.756	5.812	5.868	5.924	5.979	6.035	6.091	6.147	6.203	6.259	6.315	6.371	6.426	6.482	34
5.211	5.266	5.320	5.374	5.429	5.483	5.537	5.591	5.646	5.700	5.754	5.809	5.863	5.917	5.971	6.026	6.080	6.134	6.189	6.243	6.297	35
5.067	5.119	5.172	5.225	5.278	5.331	5.383	5.436	5.489	5.542	5.594	5.647	5.700	5.753	5.806	5.858	5.911	5.964	6.017	6.069	6.122	36
4.930	4.981	5.032	5.084	5.135	5.186	5.238	5.289	5.341	5.392	5.443	5.495	5.546	5.597	5.649	5.700	5.751	5.803	5.854	5.905	5.957	37
4.800	4.850	4.900	4.950	5.000	5.050	5.100	5.150	5.200	5.250	5.300	5.350	5.400	5.450	5.500	5.550	5.600	5.650	5.700	5.750	5.800	38
4.677	4.726	4.774	4.823	4.872	4.921	4.969	5.018	5.067	5.115	5.164	5.213	5.262	5.310	5.359	5.408	5.456	5.505	5.554	5.603	5.651	39
4.560	4.608	4.655	4.703	4.750	4.798	4.845	4.893	4.940	4.988	5.035	5.083	5.130	5.178	5.225	5.273	5.320	5.368	5.415	5.463	5.510	40
4.449	4.495	4.541	4.588	4.634	4.680	4.727	4.773	4.820	4.866	4.912	4.959	5.005	5.051	5.098	5.144	5.190	5.237	5.283	5.329	5.376	41
4.343	4.388	4.433	4.479	4.524	4.569	4.614	4.660	4.705	4.750	4.795	4.840	4.886	4.931	4.976	5.021	5.067	5.112	5.157	5.202	5.248	42
4.242	4.286	4.330	4.374	4.419	4.463	4.507	4.551	4.595	4.640	4.684	4.728	4.772	4.816	4.860	4.905	4.949	4.993	5.037	5.081	5.126	43
4.145	4.189	4.232	4.275	4.318	4.361	4.405	4.448	4.491	4.534	4.577	4.620	4.664	4.707	4.750	4.793	4.836	4.880	4.923	4.966	5.009	44
4.053	4.096	4.138	4.180	4.222	4.264	4.307	4.349	4.391	4.433	4.476	4.518	4.560	4.602	4.644	4.687	4.729	4.771	4.813	4.856	4.898	45
3.965	4.007	4.048	4.089	4.130	4.172	4.213	4.254	4.296	4.337	4.378	4.420	4.461	4.502	4.543	4.585	4.626	4.667	4.709	4.750	4.791	46
3.881	3.921	3.962	4.002	4.043	4.083	4.123	4.164	4.204	4.245	4.285	4.326	4.366	4.406	4.447	4.487	4.528	4.568	4.609	4.649	4.689	47
3.800	3.840	3.879	3.919	3.958	3.998	4.038	4.077	4.117	4.156	4.196	4.235	4.275	4.315	4.354	4.394	4.433	4.473	4.513	4.552	4.592	48
3.722	3.761	3.800	3.839	3.878	3.916	3.955	3.994	4.033	4.071	4.110	4.149	4.188	4.227	4.265	4.304	4.343	4.382	4.420	4.459	4.498	49
3.648	3.686	3.724	3.762	3.800	3.838	3.876	3.914	3.952	3.990	4.028	4.066	4.104	4.142	4.180	4.218	4.256	4.294	4.332	4.370	4.408	50
3.576	3.614	3.651	3.688	3.725	3.763	3.800	3.837	3.875	3.912	3.949	3.986	4.024	4.061	4.098	4.135	4.173	4.210	4.247	4.284	4.322	51
3.508	3.544	3.581	3.617	3.654	3.690	3.727	3.763	3.800	3.837	3.873	3.910	3.946	3.983	4.019	4.056	4.092	4.129	4.165	4.202	4.238	52
3.442	3.477	3.513	3.549	3.585	3.621	3.657	3.692	3.728	3.764	3.800	3.836	3.872	3.908	3.943	3.979	4.015	4.051	4.087	4.123	4.158	53
3.378	3.413	3.448	3.483	3.519	3.554	3.589	3.624	3.659	3.694	3.730	3.765	3.800	3.835	3.870	3.906	3.941	3.976	4.011	4.046	4.081	54
3.316	3.351	3.385	3.420	3.455	3.489	3.524	3.558	3.593	3.627	3.662	3.696	3.731	3.765	3.800	3.835	3.869	3.904	3.938	3.973	4.007	55
3.257	3.291	3.325	3.359	3.393	3.427	3.461	3.495	3.529	3.563	3.596	3.630	3.664	3.698	3.732	3.766	3.800	3.834	3.868	3.902	3.936	56
3.200	3.233	3.267	3.300	3.333	3.367	3.400	3.433	3.467	3.500	3.533	3.567	3.600	3.633	3.667	3.700	3.733	3.767	3.800	3.833	3.867	57
3.145	3.178	3.210	3.243	3.276	3.309	3.341	3.374	3.407	3.440	3.472	3.505	3.538	3.571	3.603	3.636	3.669	3.702	3.734	3.767	3.800	58
3.092	3.124	3.156	3.188	3.220	3.253	3.285	3.317	3.349	3.381	3.414	3.446	3.478	3.510	3.542	3.575	3.607	3.639	3.671	3.703	3.736	59
3.040	3.072	3.103	3.135	3.167	3.198	3.230	3.262	3.293	3.325	3.357	3.388	3.420	3.452	3.483	3.515	3.547	3.578	3.610	3.642	3.673	60
2.990	3.021	3.052	3.084	3.115	3.146	3.177	3.208	3.239	3.270	3.302	3.333	3.364	3.395	3.426	3.457	3.489	3.520	3.551	3.582	3.613	61
2.942	2.973	3.003	3.034	3.065	3.095	3.126	3.156	3.187	3.218	3.248	3.279	3.310	3.340	3.371	3.402	3.432	3.463	3.494	3.524	3.555	62
2.895	2.925	2.956	2.986	3.016	3.046	3.076	3.106	3.137	3.167	3.197	3.227	3.257	3.287	3.317	3.348	3.378	3.408	3.438	3.468	3.498	63
2.850	2.880	2.909	2.939	2.969	2.998	3.028	3.058	3.088	3.117	3.147	3.177	3.206	3.236	3.266	3.295	3.325	3.355	3.384	3.414	3.444	64

サスマウント Suspension Mount		FF										RF											
		A										NA											
		#5 #4 #3 #2 #1					#2 #3 #4 #5					#5 #4 #3 #2 #1					#2 #3 #4 #5						
ブッシュ Bushing		内側/IN					-	外側/OUT					内側/IN					-	外側/OUT				
FR/RR	A	#5	39.5	39.9	40.3	40.7	41.1	41.5	41.9	42.3	42.7	35.5	35.9	36.3	36.7	37.1	37.5	37.9	38.3	38.7			
		#4	39.5	0	-0.3	-0.5	-0.8	-1.1	-1.4	-1.6	-1.9	-2.2	2.7	2.5	2.2	1.9	1.6	1.4	1.1	0.8	0.5		
		#3	39.9	0.3	0	-0.3	-0.5	-0.8	-1.1	-1.4	-1.6	-1.9	3.0	2.7	2.5	2.2	1.9	1.6	1.4	1.1	0.8		
		#2	40.3	0.5	0.3	0	-0.3	-0.5	-0.8	-1.1	-1.4	-1.6	3.3	3.0	2.7	2.5	2.2	1.9	1.6	1.4	1.1		
		#1	40.7	0.8	0.5	0.3	0	-0.3	-0.5	-0.8	-1.1	-1.4	3.5	3.3	3.0	2.7	2.5	2.2	1.9	1.6	1.4		
		内側/IN	#1	41.1	1.1	0.8	0.5	0.3	0	-0.3	-0.5	-0.8	-1.1	3.8	3.5	3.3	3.0	2.7	2.5	2.2	1.9	1.6	
	#2		41.5	1.4	1.1	0.8	0.5	0.3	0	-0.3	-0.5	-0.8	4.1	3.8	3.5	3.3	3.0	2.7	2.5	2.2	1.9		
	#3		41.9	1.6	1.4	1.1	0.8	0.5	0.3	0	-0.3	-0.5	4.4	4.1	3.8	3.5	3.3	3.0	2.7	2.5	2.2		
	#4		42.3	1.9	1.6	1.4	1.1	0.8	0.5	0.3	0	-0.3	4.6	4.4	4.1	3.8	3.5	3.3	3.0	2.7	2.5		
	#5		42.7	2.2	1.9	1.6	1.4	1.1	0.8	0.5	0.3	0	4.9	4.6	4.4	4.1	3.8	3.5	3.3	3.0	2.7		
	外側/OUT	#2	41.5	1.4	1.1	0.8	0.5	0.3	0	-0.3	-0.5	-0.8	4.1	3.8	3.5	3.3	3.0	2.7	2.5	2.2	1.9		
#3		41.9	1.6	1.4	1.1	0.8	0.5	0.3	0	-0.3	-0.5	4.4	4.1	3.8	3.5	3.3	3.0	2.7	2.5	2.2			
#4		42.3	1.9	1.6	1.4	1.1	0.8	0.5	0.3	0	-0.3	4.6	4.4	4.1	3.8	3.5	3.3	3.0	2.7	2.5			
#5		42.7	2.2	1.9	1.6	1.4	1.1	0.8	0.5	0.3	0	4.9	4.6	4.4	4.1	3.8	3.5	3.3	3.0	2.7			
#5			39.5	0	-0.3	-0.5	-0.8	-1.1	-1.4	-1.6	-1.9	-2.2	2.7	2.5	2.2	1.9	1.6	1.4	1.1	0.8	0.5		

SETTING SHEET



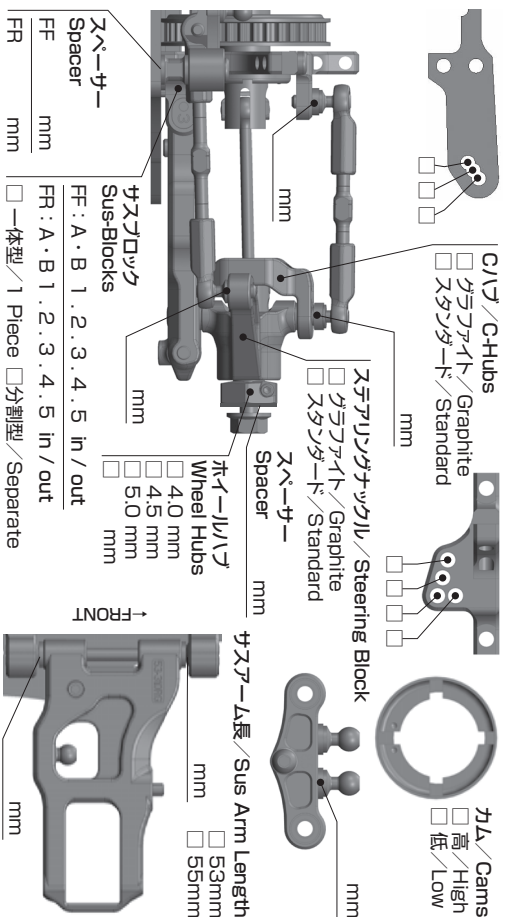
V 1.0.201912

DRIVER CIRCUIT

- 環境 / Place
- 路面 / Track
- クリック / Track condition
- 路面状況 / Track situation

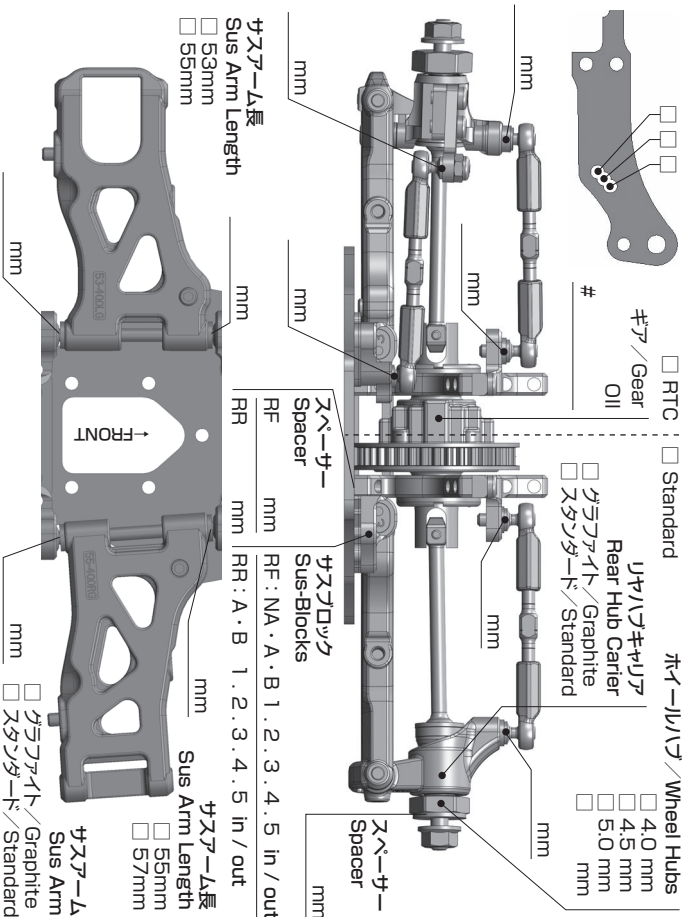
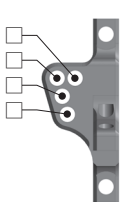
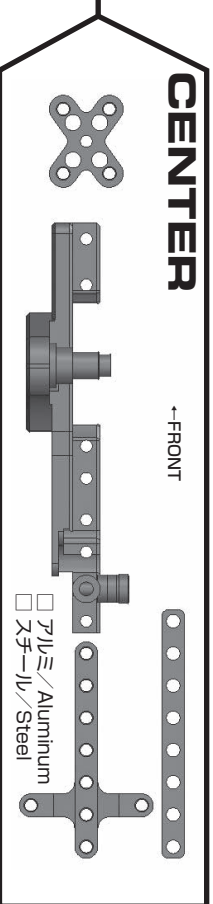
DATE

・ ・



車高 / Ride Height	mm
キャンバー / Camber Angle	
スタビ / Sway Bar	1.2 1.3 1.4
トルジョ / Droop	mm
サスアーム外下 / Arm	mm

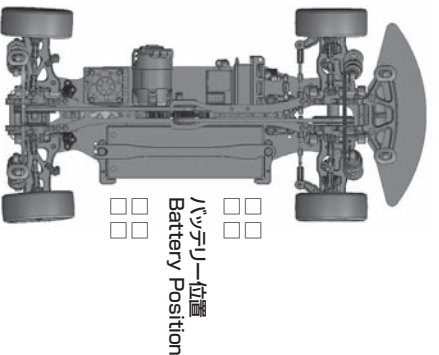
ショック / Shock absorber	
オイル / Oil	
ピストン / Piston	4 6 穴 / Holes
スプリング / Spring	mm
ブラダ / Bladder	
メモ / Notes	



車高 / Ride Height	mm
キャンバー / Camber Angle	
スタビ / Sway Bar	1.1 1.2 1.3
トルジョ / Droop	mm
サスアーム外下 / Arm	mm

ショック / Shock absorber	
オイル / Oil	
ピストン / Piston	4 6 穴 / Holes
スプリング / Spring	mm
ブラダ / Bladder	
メモ / Notes	

メインシャシー / Main Chassis	<input type="checkbox"/> カーボン / Carbon Graphite <input type="checkbox"/> アルミ / Aluminum
アッパーデッキ / Upper Deck	<input type="checkbox"/> 標準タイプ / Standard <input type="checkbox"/> 薄型 / Thin Type
モーター / Motor	
スパーギア / Spur Gear	ピニオンギア / Pinion Gear
バッテリー / Battery	
ESC	
ボディ / Body	
ウイング / Wing	



タイヤ / Tire	
インサート / Insert	
ホイール / Wheel	
タイヤコン / Tire Treatment	
メモ / Notes	

タイヤ / Tire	
インサート / Insert	
ホイール / Wheel	
タイヤコン / Tire Treatment	
メモ / Notes	

OTHER

REAR

FRONT

AS A MANUFACTURER OF WORLD CHAMPIONSHIP WINNING CARS,
YOKOMO WILL CONTINUE TO PROVIDE THE BEST AVAILABLE TECHNOLOGY TO R/C ENTHUSIASTS ALL OVER THE WORLD.
ENJOY THIS PRODUCT KNOWING THAT YOU ARE DRIVING ONE OF THE BEST HANDLING R/C CARS EVER DESIGNED.

RC MODEL CARS
YOKOMO
www.teamyokomo.com

世界のブランド YOKOMO

ヨコモは競技用 R/C カー（ラジオコントロールカー）の専門メーカーです。その製品は、全日本選手権、全米選手権、ヨーロッパ選手権、そして R/C カーレースの最高峰である世界選手権レースでも優勝。世界の R/C カーマニアに愛用されています。