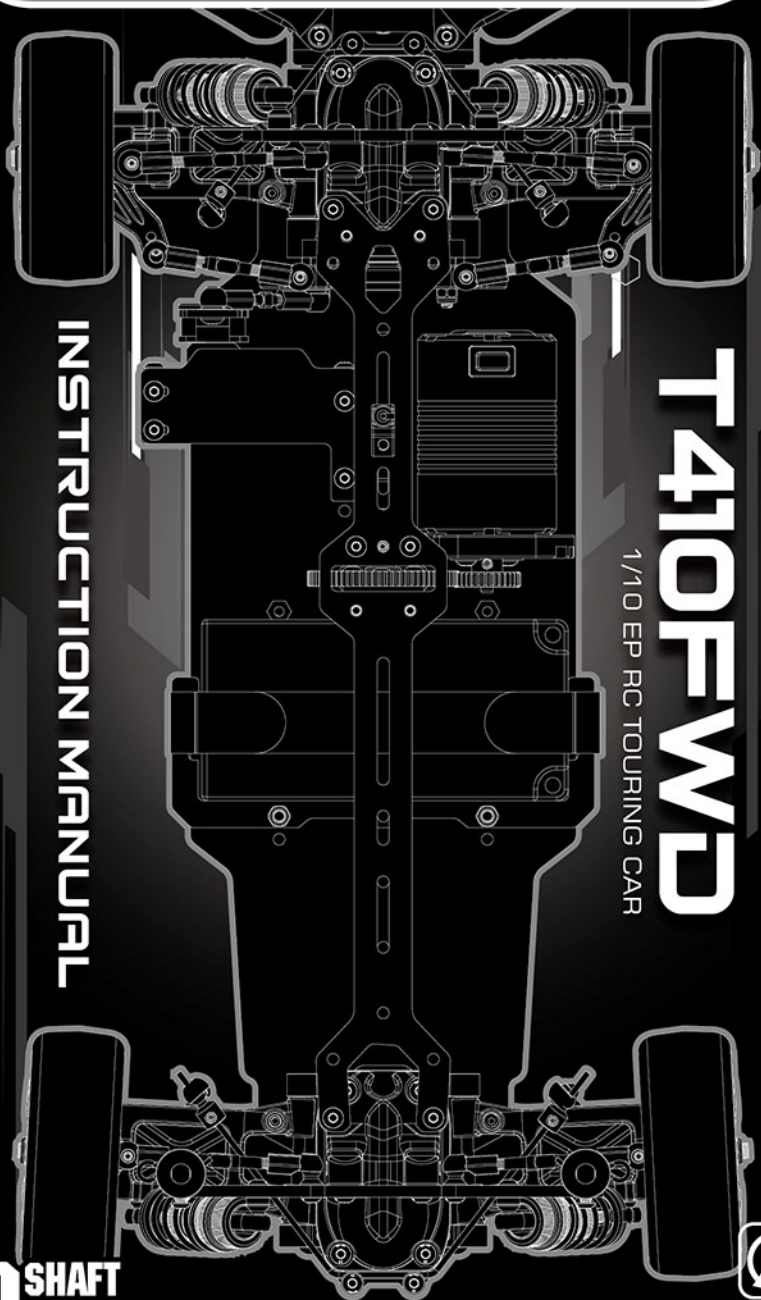


CARTEN®



T410FWD

1/10 EP RC TOURING CAR

INSTRUCTION MANUAL

4WD SHAFT
DRIVEN



SHAFT DRIVEN



ELECTRICAL POWER

WWW.CARTEN-RC.COM

CAUTION

T410FWD

Notice: Thank you for choosing the carten T410FWD

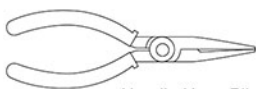
The following items are needed for completion of the KIT, They are not included with this kit (unless noted), and should be obtained from your local hobby shop.

Be sure to read the instructions completely prior to assembly.

Tools needed To Assemble



Hex Wrenches(1.5mm / 2.0mm / 2.5mm)



Needle Nose Pliers



Instant Glue



Box Wrench(5.5mm / 7mm / 10mm)



Scissors



Screw (Sement)



Hobby Knife

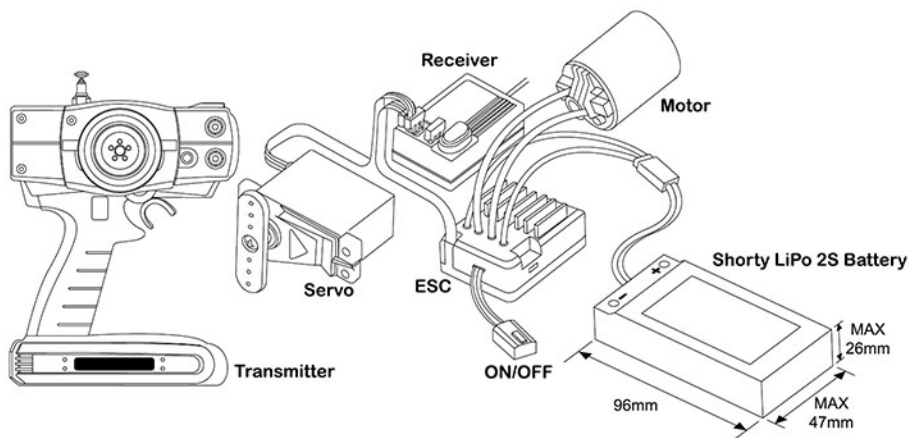


Glass or Vinyl Tape



Rubber Glue

Items Needed To Control Car



T410FWD

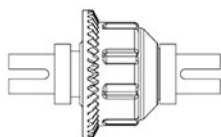
CARTEN T410FWD 1/10 EP FRONT WHEEL DRIVE TOURING CAR

Specification

Drivetrain	Shaft Drive / FWD
Track Width	188 mm
Wheelbase	255~258 mm
Final Gear Ratio	2.47(42/17)
Spur & Pinion Gear	72/39
Tire Diameter	(Not Include)

Accessories

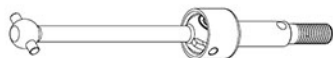
Full Bearing	Alu Spur Gear Hub
Steel CVD Drive Shaft	Alu Shocks
Composite Fibre Chassis , Upper Deck , Shock Tower	Metal gear Differential
Alu Floating Servo Mount	Full turnbuckle
Alu Motor Mount	



Metal Gear Diff

Aluminum
Oil ShockAluminum
Servo Mount SetAluminum
Hex Hub

Turnbuckle

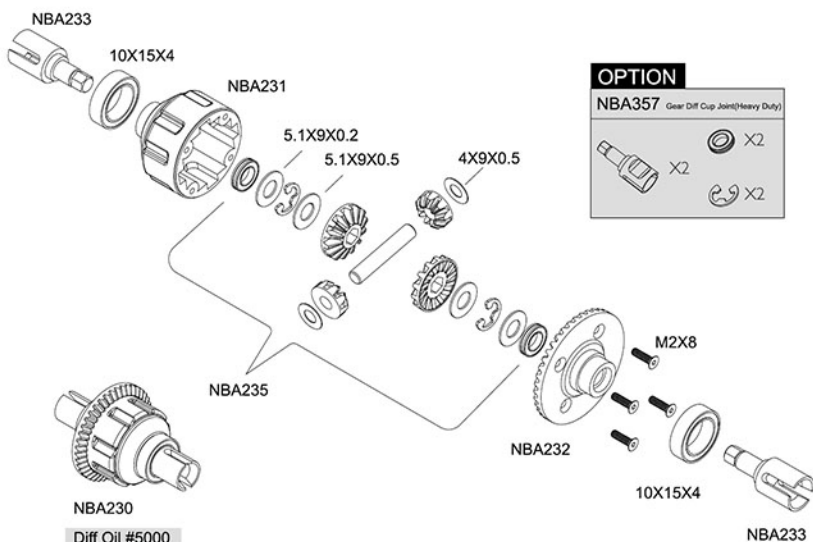


CVD Drive Shaft

T410FWD

1

- X2
NBA235
5.1×9×0.5mm
- X2
NBA235
5.1×9×0.2mm
- X2
NBA235
4×9×0.5mm
- X2
NBA303
4.0mm
- X4
NBA286
M2×8mm
- X2
NBA299
10×15×4mm



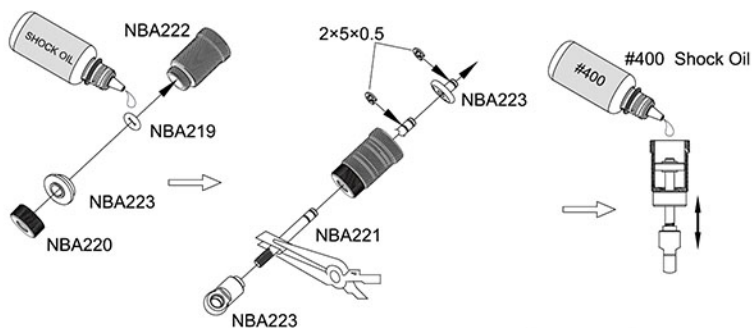
OPTION

NBA357 Gear Diff Cup Joint(Heavy Duty)

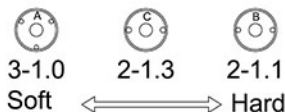


2

- X1
NBA222
- X1
NBA220
- X2
NBA221
2×5×0.5mm
- X1
NBA221
- X1
NBA219
- X1
NBA223
- X1
NBA223
- X1
NBA223



Stand



OPTION

NBA362 Shock Spacer



NBA363 Shock Pistons-3H1.2



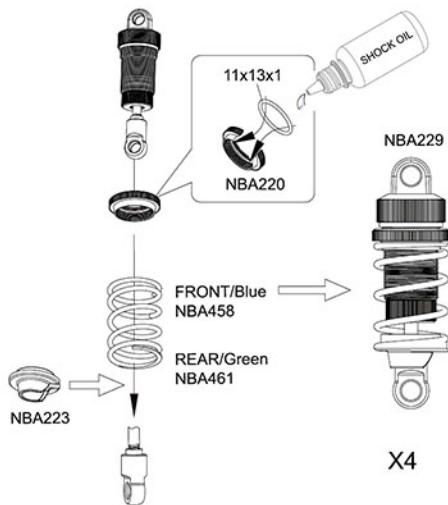
NBA364 Shock Pistons-4H1.1



T410FWD

3

- X1
NBA220
- X1
NBA220
- X1
NBA219
11x13x1mm
- X1
NBA223
- X1
NBA223
- X1
NBA219
- X1
NBA219

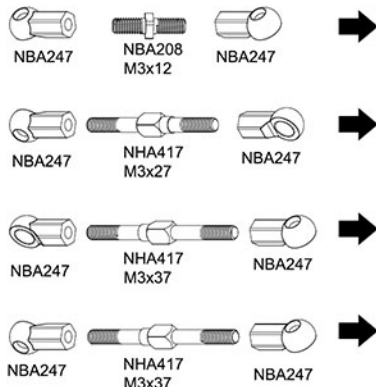


HARD ← → SOFT

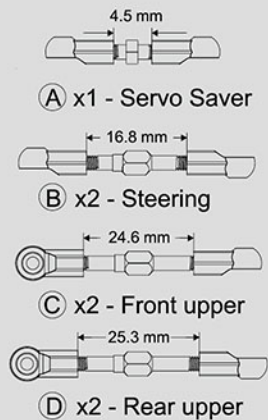
NHA457 Shock Spring 1.4*20mm(White) X4 White	NHA458 Shock Spring 1.4*20mm(Blue) X4 Blue	NHA459 Shock Spring 1.4*20mm(Yellow) X4 Yellow	NHA460 Shock Spring 1.4*20mm(Red) X4 Red	NHA461 Shock Spring 1.4*20mm(Green) X4 Green	NHA462 Shock Spring 1.4*20mm(Purple) X4 Purple
---	---	---	---	---	---

4

- x14
NBA247
- x1
NBA208
M3x12
- x2
NHA417
M3x27
- x4
NHA417
M3x37



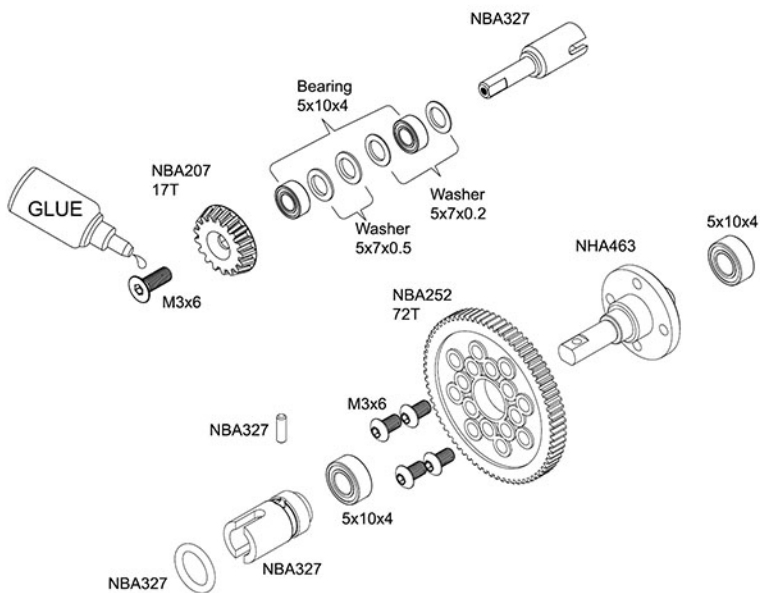
SET UP






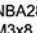
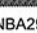
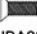
T410FWD

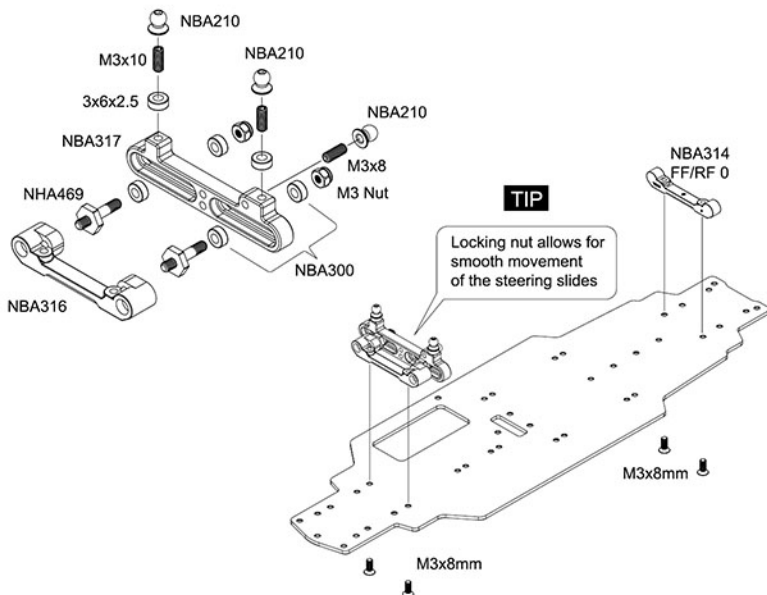
5

-  x2
NHA442
5x7x0.5
-  x2
NHA443
5x7x0.2
-  x2
NBA255
2.0x7.6
-  x2
NBA255
Oring 5.8x9.6x1.9
-  x4
NBA298
5x10x4
-  x2
NBA282
M3x8
-  x4
NBA279
M3x6mm



6

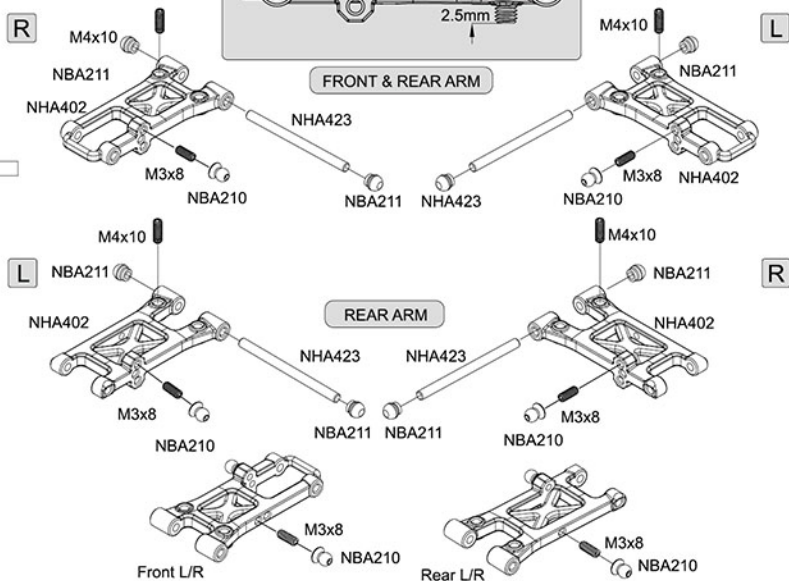
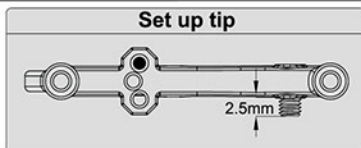
-  x4
NBA300
3x6x2.5
-  x1
NBA294
M3 Nut
-  x3
NBA210
-  x1
NBA289
M3x8
-  x2
NBA290
M3x10
-  x4
NBA280
M3x8



T410FWD

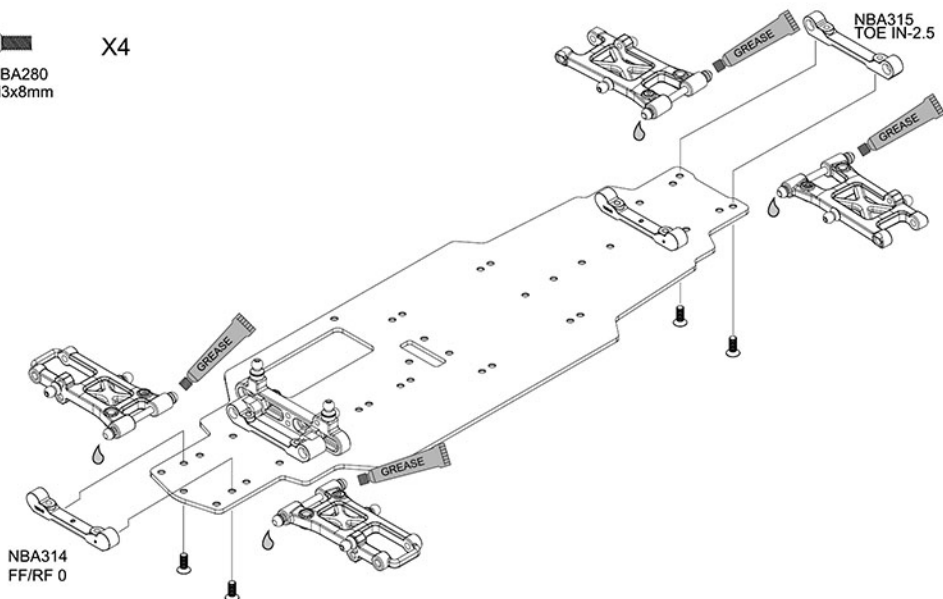
7

- X8
NBA210
- X8
NBA211
- X4
NBA280
M3x8mm
- X4
NHA423
3x42
- X8
NBA289
M3x8mm
- X4
NHA430
M4x10mm



8

- X4
NBA280
M3x8mm

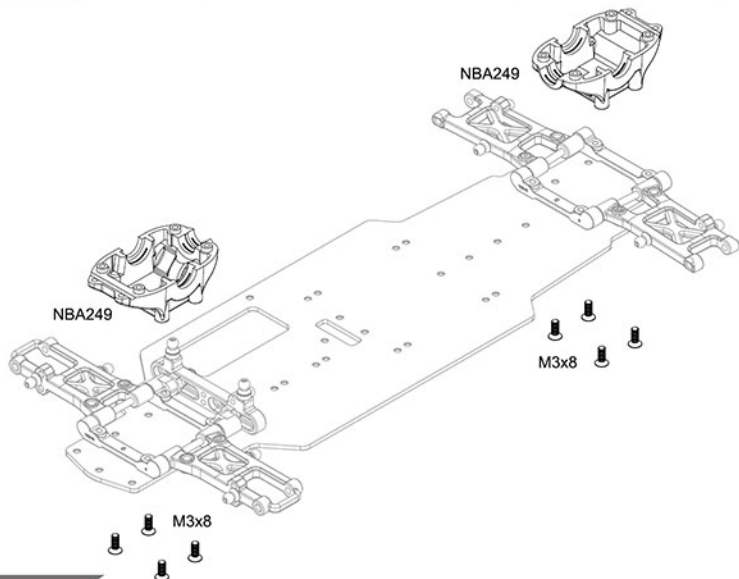


9

T410FWD

NBA280
M3x8

X8



10

NBA279
M3x6mm

X2

NBA282
M3x8mm

X1

NBA281
M3x6mm

X9

NBA210

X1

NBA254
(Black)

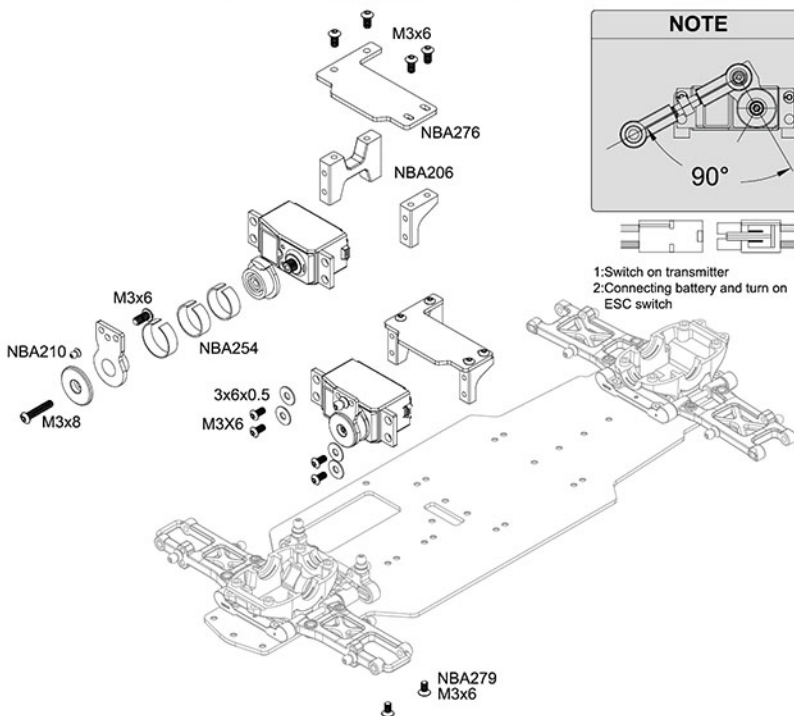
X1

NBA254
(Silver)

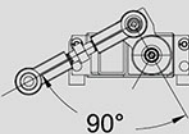
X2

3x6x0.5

X4



NOTE



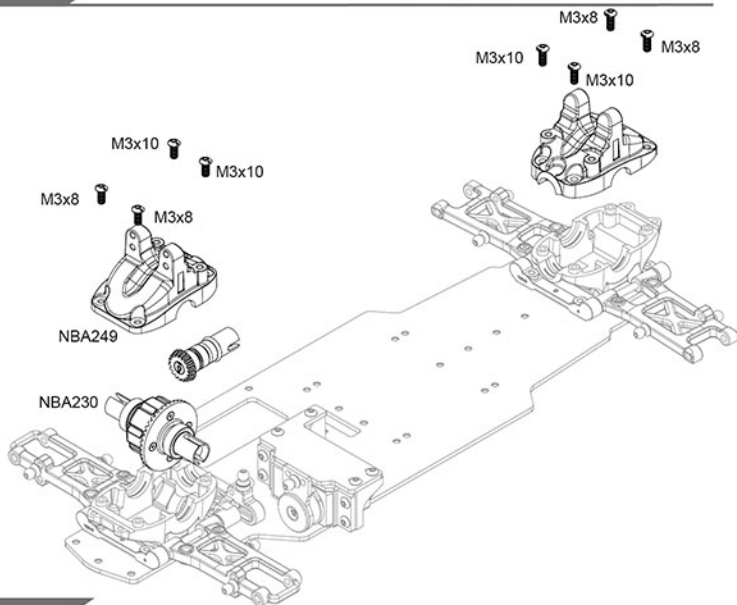
- 1: Switch on transmitter
- 2: Connecting battery and turn on ESC switch

T410FWD

11

X4
NBA283
M3x8mm

X4
NBA282
M3x8mm



12

X2
NBA282
M3x8

X2
NBA283
M3x10

X2
NBA304
2x10

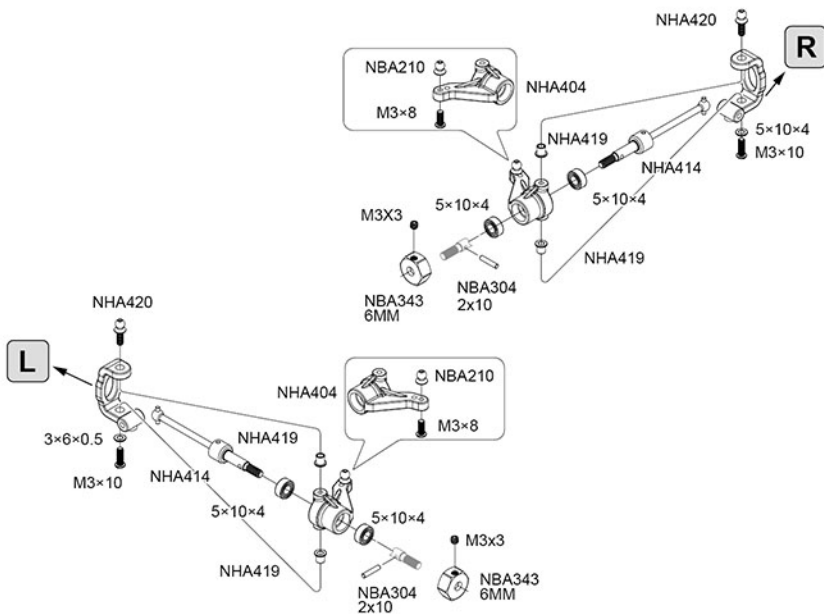
X4
NBA298
5x10x4

X4
NHA419

X2
NBA210

X2
NHA420
4.8x9

X1
NBA287
M3x3



13

T410FWD

NBA288
M3x4

X2

NBA423
3x26

X2

M3x4

R

NBA423

NBA423

M3x4

L

NOTE

Tight Grub screw on the groove of the pin



14



X4

NBA298
5x10x4



X2

NBA210



X2

NBA290
M3x10



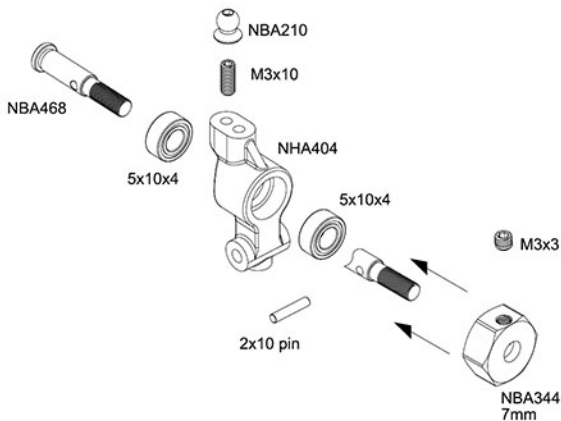
X2

NBA304
2x10

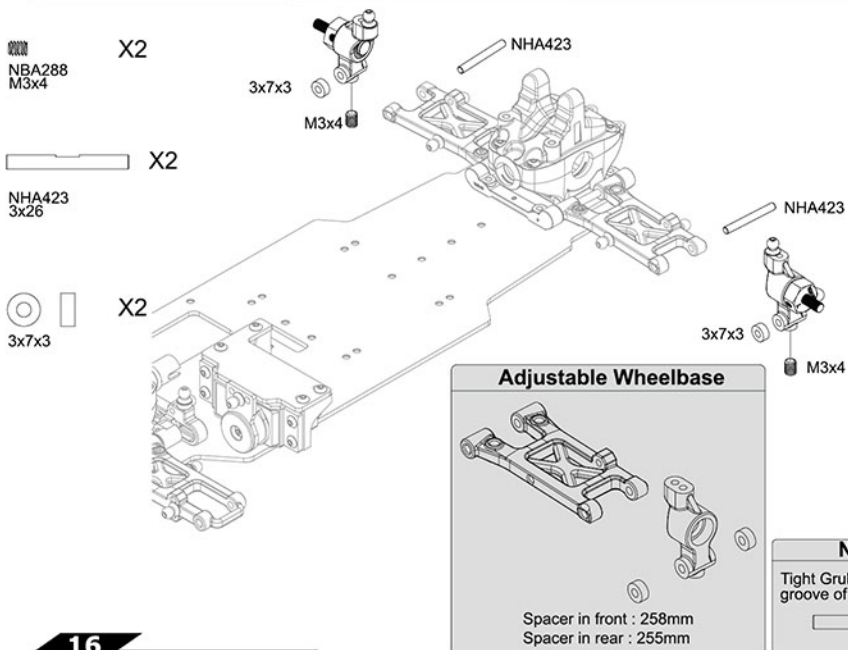


X2

NBA287
M3x3



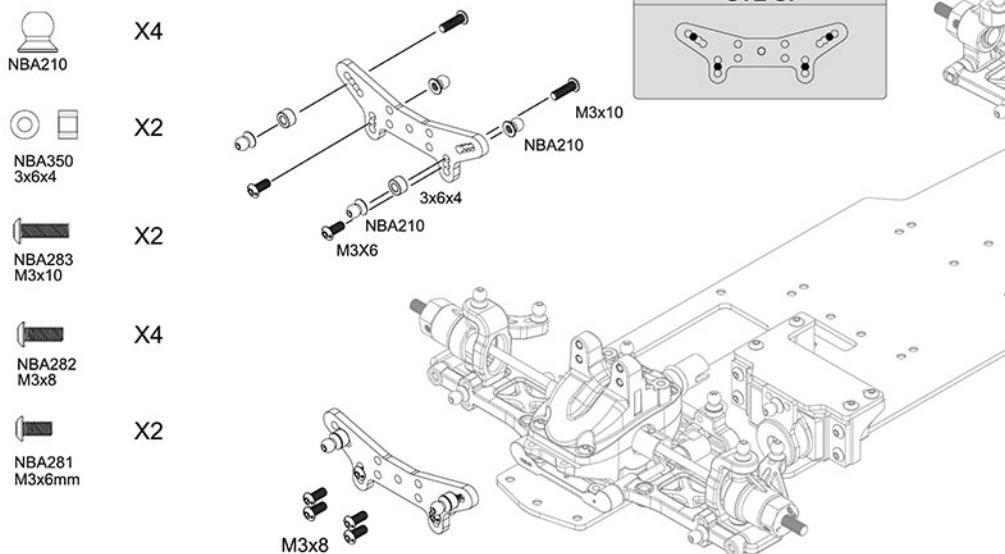
15



16

FRONT SHOCK TOWER

STE UP



T410FWD

17

REAR SHOCK TOWER

X4

NBA305

X4

NBA210

X2

NBA350
3x6x4

X4

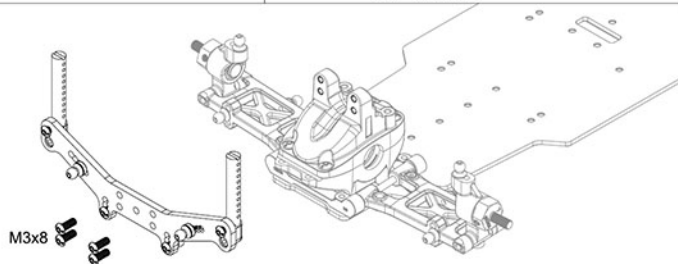
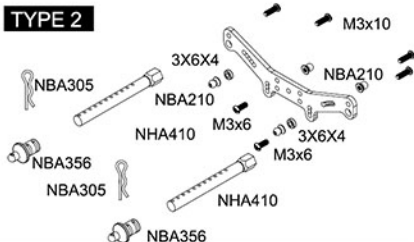
NBA283
M3x10

X4

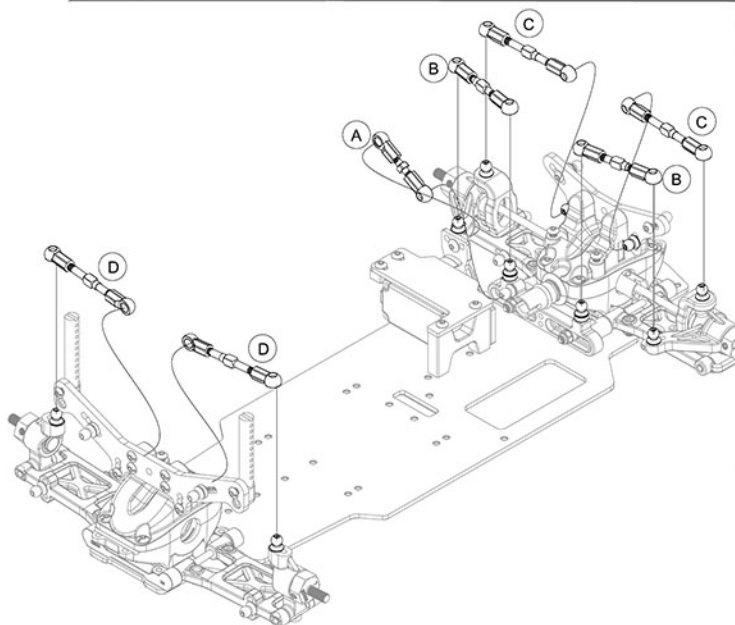
NBA282
M3x8

X2

NBA281
M3x6mm



18



Drift Car SET UP

4.5mm



A x1 - Servo Saver

16.8mm



B x2 - Steering

24.6mm



C x2 - Front upper

25.3mm



D x2 - Rear upper

T410FWD

19



X8

NBA247



X4

NBA291
M3x12



X4

NHA434

NBA247

NHA434

M3x12

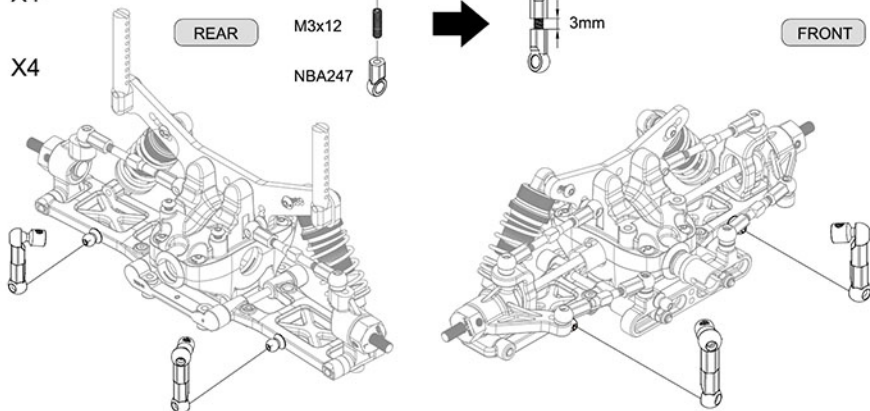
NBA247



3mm

REAR

FRONT



20



X4

NBA287
M3x3



X4

NBA281
M3x6

M3x6

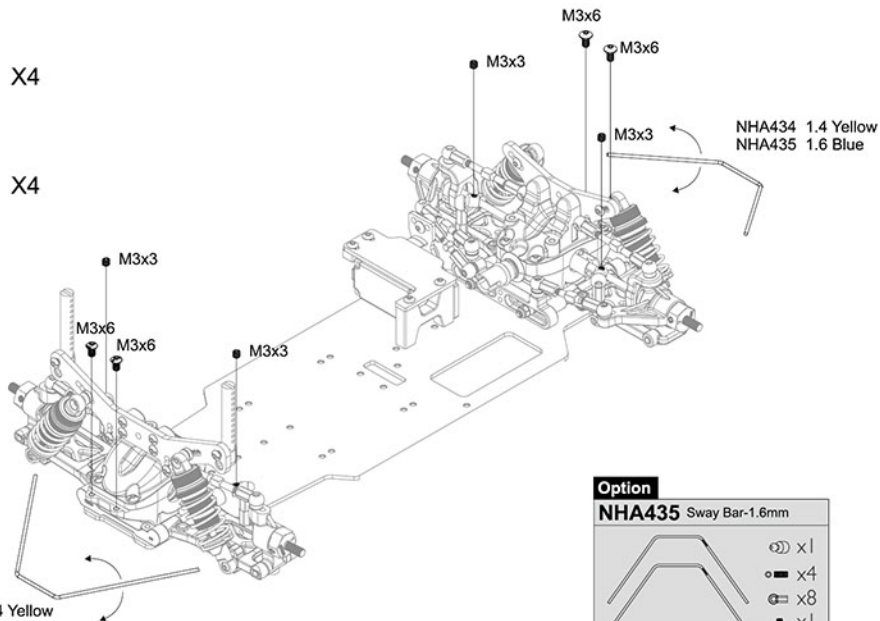
M3x6

M3x3

M3x3

M3x3

NHA434 1.4 Yellow
NHA435 1.6 Blue



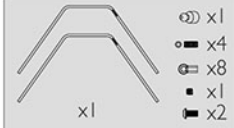
NHA434 1.4 Yellow
NHA435 1.6 Blue

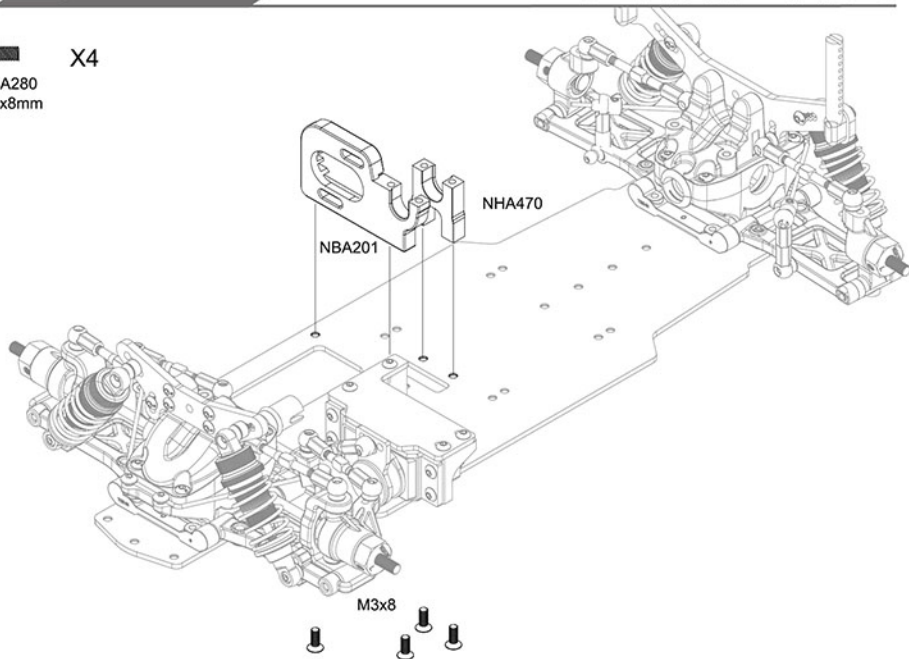
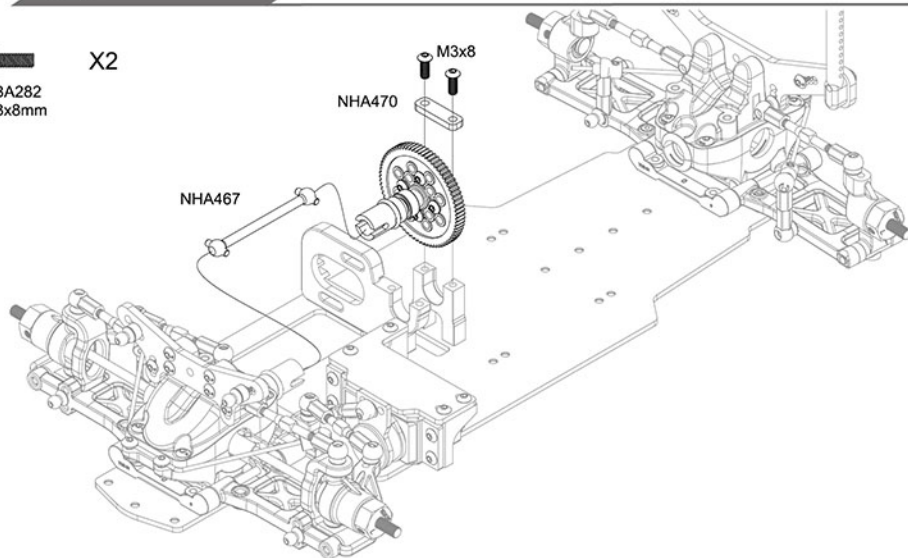
NOTE

Anti-roll bar locks to minimum clearance for smooth movement

Option

NHA435 Sway Bar-1.6mm



21**T410FWD****X4**NBA280
M3x8mm**22****X2**NBA282
M3x8mm

T410FWD

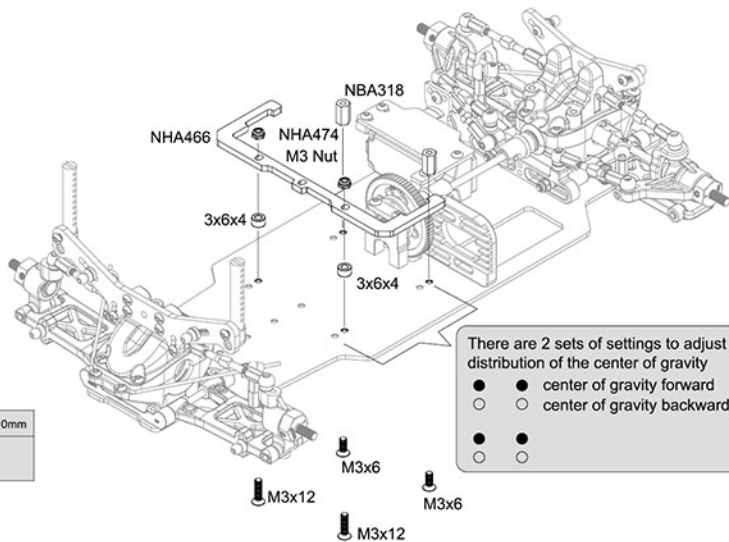
23

-  X2
NBA279
M3x6mm
-  X2
NHA466
M3x12mm
-  X2
NHA474
M3 Nut (Thin)
-  X2
NHA466
3x6x4

Option

NBA318 Aluminum Hex 5.5 x 10mm



 x10

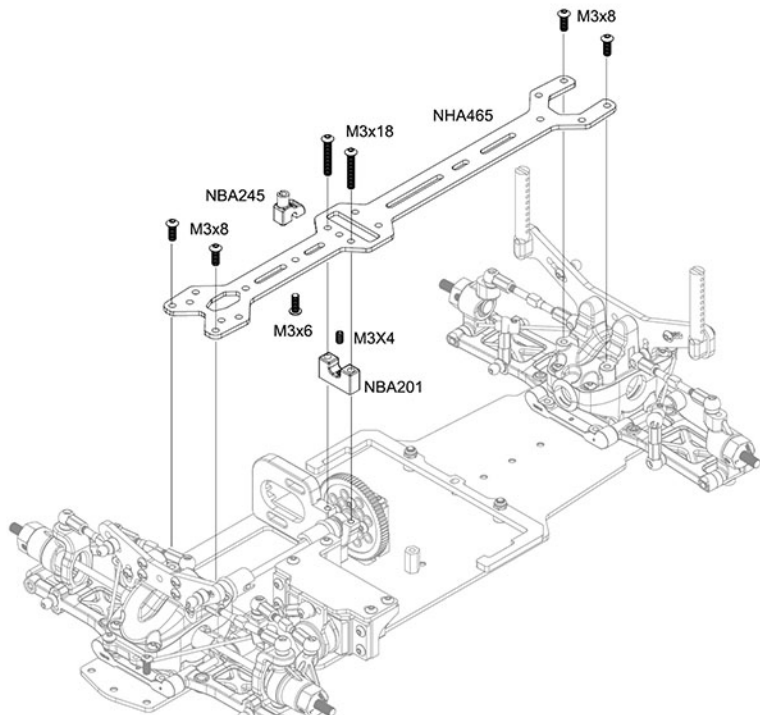


There are 2 sets of settings to adjust the distribution of the center of gravity

- ● center of gravity forward
- ○ center of gravity backwards

24

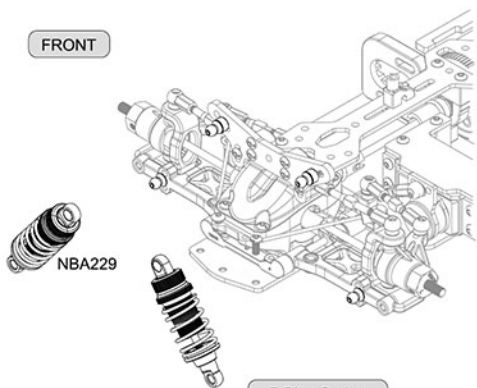
-  X1
NBA288
M3x4
-  X1
NBA281
M3x6mm
-  X4
NBA282
M3x8
-  X2
NBA285
M3x18



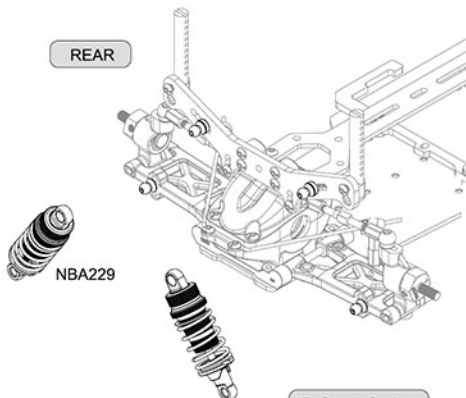
T410FWD

25

FRONT



REAR



26



X2

NBA305



X1

NBA 294
M3 Nut



X2

NBA282
M3x8mm



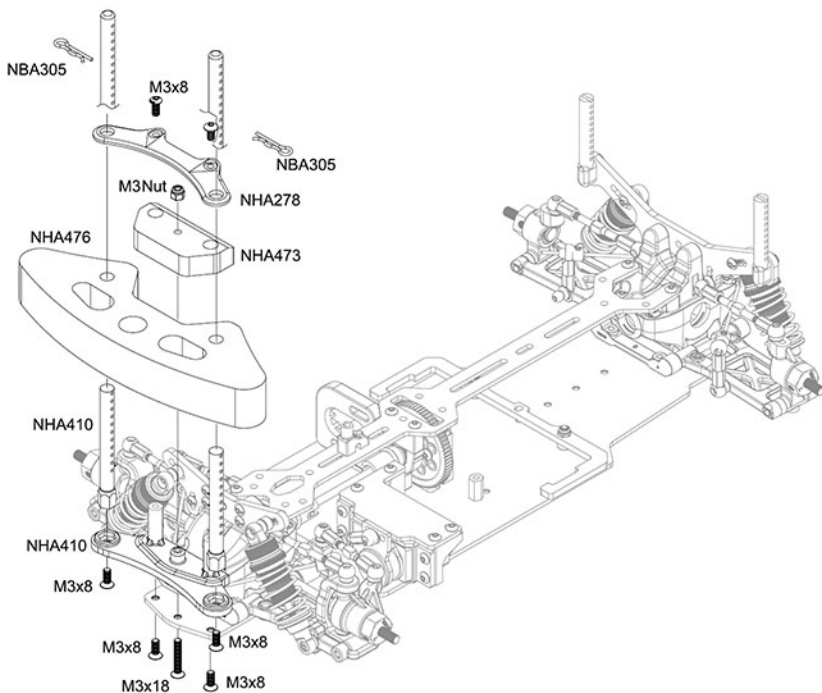
X4

NBA280
M3x8mm



X1

M3x18mm



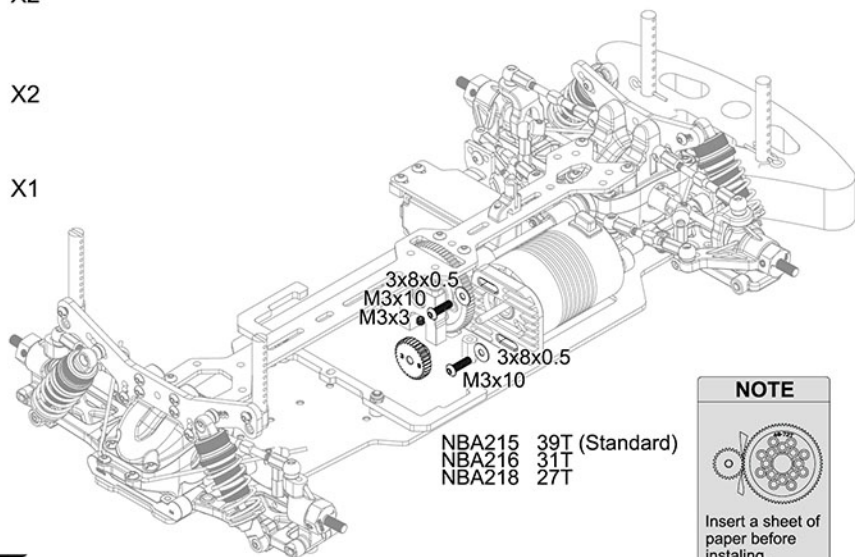
T410FWD

27

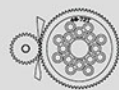
 X2
NBA283
M3x10mm

 X2
NBA302
3.1x8x0.5

 X1
NBA287
M3x3



NOTE

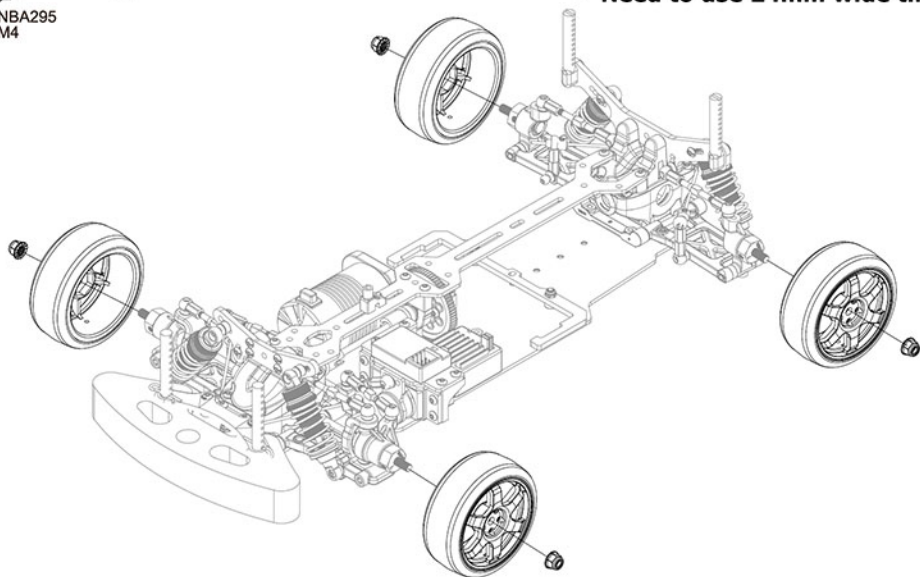


Insert a sheet of paper before installing.

28

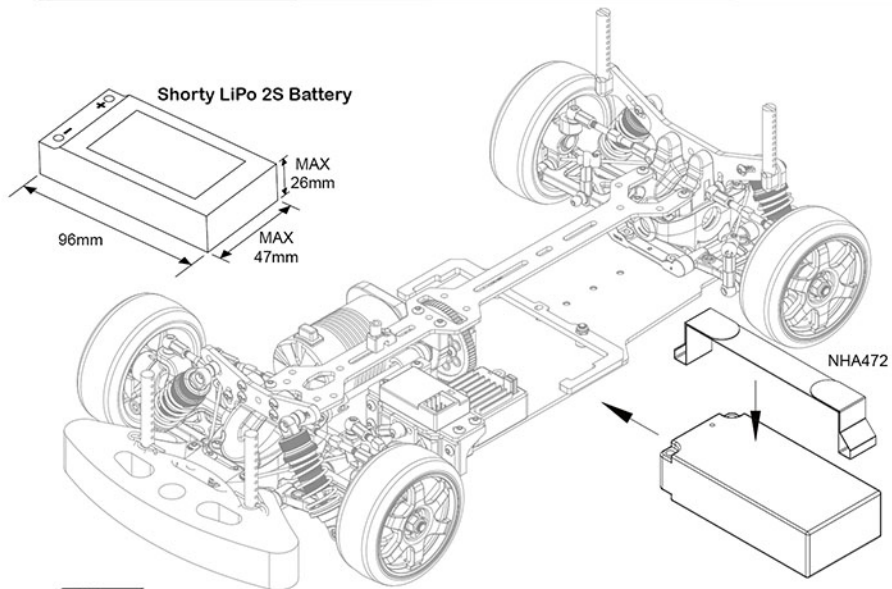
 X4
NBA295
M4

- Kit does not include tires
- Need to use 24mm wide tires



29

T410FWD



30



X4

NBA305



NBA305

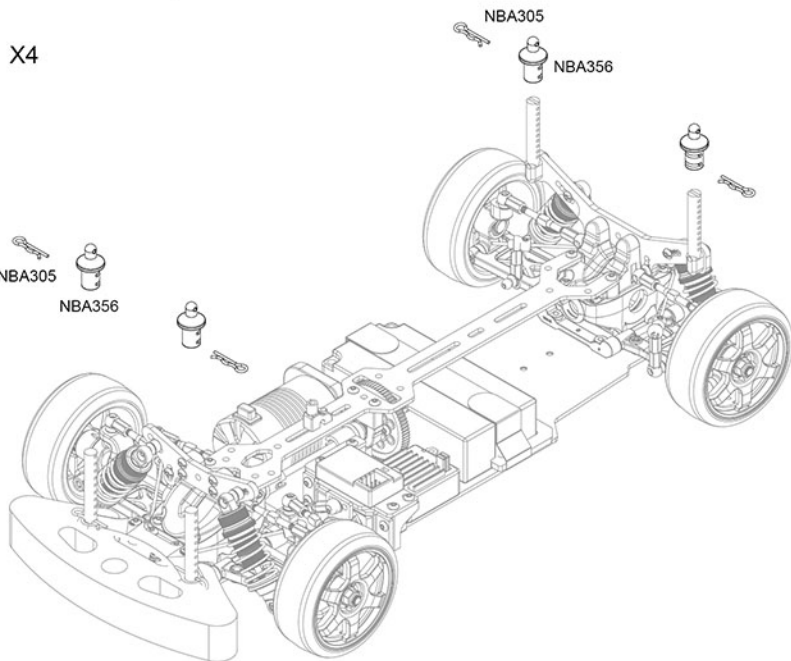


NBA356



NBA305

NBA356



GEAR RATIO

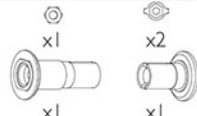
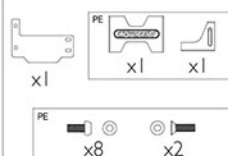
SPUR GAER	
T410FWD	
72	2.47 (INNER GEAR RATIO)
PINION GEAR	GERA DIFF(42/17) GEAR RATIO
21	8.47
22	8.08
23	7.73
24	7.41
25	7.11
26	6.84
27	6.59
28	6.35
29	6.13
30	5.93
31	5.74
32	5.56
33	5.39
34	5.23
35	5.08
36	4.94
37	4.81
38	4.68
39	4.56
40	4.45
41	4.34
42	4.23
43	4.14
44	4.04

NBA201 Motor Mount

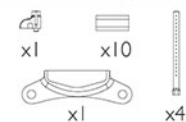
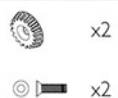
NBA217 31T-48P Pinon Gear (Aluminum)

NBA218 27T-48P Pinon Gear (Metal)

NBA230 Gear Differential

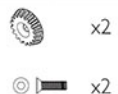
NBA244 Ball Diff cup joint (Metal)

NBA206 Servo Mount Set

NBA219 Shock Parts(O-rings)

NBA231 Gear Diff Case

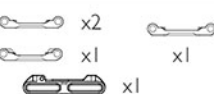
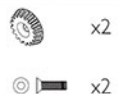
NBA245 Front Bumper Hold And Body Mount

NBA207 17T Metal Bevel Gear (Gear Diff)

NBA220 Shock Body sets (Aluminum)

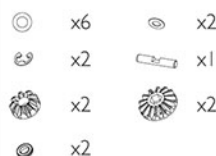
NBA232 42T Bevel Gear (Metal)

NBA247 Ball End (4.8mm)

NBA207 17T Metal Bevel Gear (Gear Diff)

NBA221 Shock shafts

NBA233 Gear Diff Cup Joint

NBA248 Suspension Mount Parts

NBA207 17T Metal Bevel Gear (Gear Diff)

NBA222 Shock Body (Aluminum)

NBA235 Gear Diff Bevel Gear Set

NBA249 Gear box

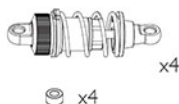
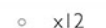
NBA208 Tumbuckle Set (M3x12 /M3x19)

NBA223 Shock Parts

NBA236 Ball Diff Parts Set

NBA252 Spur Gear 72T

NBA210 4.8x6 mm Ball Stud

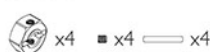
NBA228 Shock Set(Plastic)

NBA237 Diff Ball (3/32)

NBA253 Hex Hub (5MM)

NBA211 Pivot Ball Stud

NBA229 Shock Set (Aluminum)

NBA238 Ball Diff Screw Set

NBA254 Servo Saver

NBA213 12MM Hex Hub

NBA215 39T-48P Pinon Gear (Aluminum)

NBA256 Bumper For Sedan Body

NBA216 31T-48P Pinon Gear (Metal)

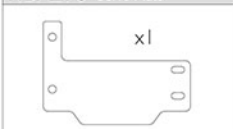
NBA239 Ball Diff Shim

NBA257 Bumper For Hatchback Body

NBA240 Thrust Bearing

NBA241 Diff gears (Ball Diff)


NBA259 Antenna Pipe

NBA276 Servo Plate

NBA277 Bumper Plate
(For Hatchback Body)

NBA278 Bumper Plate
(For Sedan Body)

NBA279 Screw Set - FH M3x6

NBA280 Screw Set - FH M3x8

NBA281 Screw Set - BH M3x6

NBA282 Screw Set - BH M3x8

NBA283 Screw Set - BH M3x10

NBA284 Screw Set - BH M3x12

NBA285 Screw Set - BH M3x18

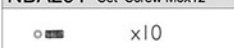
NBA286 Screw Set - FH M2x8

NBA287 Set Screw M3x3

NBA288 Set Screw M3x4

NBA289 Set Screw M3x8

NBA290 Set Screw M3x10

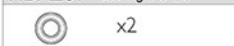
NBA291 Set Screw M3x12

NBA292 Set Screw M3x18

NBA293 Set Screw M3x20

NBA294 M3 Nut

NBA295 M4 Nut

NBA296 Bearing 3X6X2.5

NBA297 Bearing 5*8*2.5

NBA298 Bearing 5X10X4

NBA299 Bearing 10X15X4

NBA300 Spacer Set 3X6X2.5

NBA301 Washer (3*6.5*0.5 mm)

NBA302 Washer (3*8*0.5 mm)

NBA303 E-Clip

NBA304 Pin2X10

NBA305 Body pinS

NBA306 O-Ring

NBA307 Washer (11*14*0.2 mm)

NBA309 Ball Differential(Metal)

NBA312 Fan Holder (For 30mm Fan)

NBA313 Pivot Block (ALUMINUM)3"

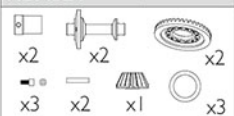
NBA314 Pivot Block (ALUMINUM) 0"

NBA315 Pivot Block (ALUMINUM) 2.5"

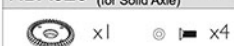
NBA316 Pivot Block (ALUMINUM)

NBA317 Steering Mount (ALUMINUM)

NBA318 Aluminum Hex 5.5 x 10mm

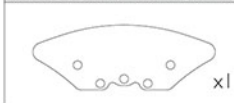
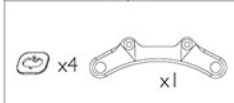
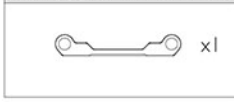
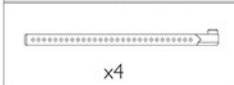
NBA321 Solid Axle(40T/17T Plastic)

NBA322 Plastic 40T/17T Bevel Gear
(For Solid Axle)

NBA323 Solid Axle(42T/17T Metal)

NBA325 42T Metal Bevel Gear
(for Solid Axle)

NBA327 Metal Center Cup Joint
(For Gear Diff)

NBA332 Strong Ball End 4.8mm
(4PCS)

NBA334 Strong Ball End 4.8mm
(Long 4PCS)

NBA336 Bumper For Touring Car Body

NBA337 Bumper Plate & Body
Post Spacer

NBA338 Pivot Block (ALUMINUM) 2.0"

NBA342 Body Post (Rear)

NBA343 12mm Hex Hub (6mm)

NBA344 12mm Hex Hub (7mm)

NBA346 ALUMINUM SPACER 3*6*0.5
(8PCS)


NBA347 ALUMINUM SPACER 3"6"1.0 (8PCS)


x8

NBA348 ALUMINUM SPACER 3"6"2.0 (8PCS)


x8

NBA349 ALUMINUM SPACER 3"6"3.0 (8PCS)


x8

NBA350 ALUMINUM SPACER 3"6"4.0 (8PCS)


x8

NBA351 M3 Nylon Lock Nut(4PCS)


x4

NBA352 M4 Nylon Lock Nut(4PCS)


x4

NBA353 M4 Serrated Lock Nut(4PCS)


x4

NBA354 Solid Axle Steel Cup Joint


x2



x2

NBA355 23T Brushed Motor


x1

NBA356 Extended Body Post(6mm)


x4



x4

NBA357 Gear Diff Cup Joint (Heavy Duty)


x2



x2



x2

NBA358 Solid Axle Steel Cup Joint (Heavy Duty)


x2



x2

NBA360 Spur Gear 68T (Heavy Duty Steel)


x1

NBA361 CVD Pin


x4

NBA362 Shock Spacer


x4

NBA363 Shock Pistons-3H1.2


x4

NBA364 Shock Pistons-4H1.1


x4

NBA369 Battery holder


x2



x2



x2



x2



x2



x2



x2

NBA370 Bevel Gear Set


x2



x1



x2

NHA402 Arms(F/R)


x2



x2



x2

NHA403 C Hub 4" (L/R)


x1



x1

NHA404 Hub Carrier


x2



x2

NHA405 Suspension Mount Parts


x3



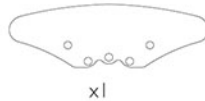
x1



x3



x1

NHA412 Bumper


x1

NHA414 CVD Drive Shaft


x2

NHA417 Turnbuckle Set


x2

x4



x1

NHA419 Steering Bush

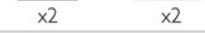

x4

NHA420 Ball stud 4.8x9


x4

NHA423 Suspension Shaft Set


x4



x2

x2

NHA424 Cap Head Screw M2x6


x10

NHA425 Cap Head Screw M3x6


x10

NHA426 Cap Head Screw M3x8


x10

NHA427 Cap Head Screw M3x10


x10

NHA428 Cap Head Screw M3x12


x10

NHA429 Flat Screw M3x14

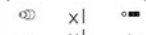

x10

NHA430 Set Screw M4x10


x10

NHA434 Sway Bar-1.4mm


x1



x8



x1



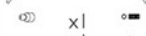
x4



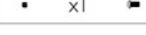
x2

NHA435 Sway Bar-1.6mm


x1



x8



x1



x4



x2

NHA436 1/10 Tires 5 Spoke Wheel-White(26mm)


LEFT x2

RIGHT x2

NHA437 1/10 Drift Tires 5 Spoke Wheel-White(26mm)


x4

NHA438 Wing Set

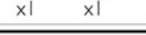

x1



x2



x4



x8

NHA439 Back millor and exhaust pipe

NHA440 12mm HEX (T 5mm/8mm)

NHA441 5x8x2.5 Metal bushing

NHA442 5*7*0.5 washers

NHA443 5*7*0.2 washers

NHA447 T410 Aluminum Rear Hub

NHA448 T410 Aluminum Steering Blocks

NHA449 T410 Aluminum C Hub

NHA451 5 Spoke Wheels White /26mm (ET-0mm)

NHA452 6 Spoke Wheels White /24mm (ET-0mm)

NHA454 1/10 on-road tires 26mm

NHA457 Shock Spring 1.4*20mm (White)

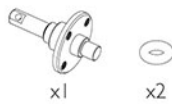
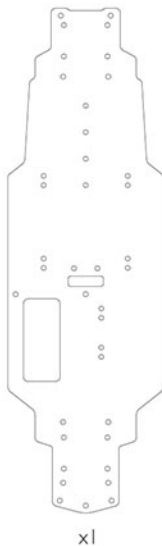
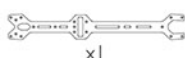
NHA458 Shock Spring 1.4*20mm (Blue)

NHA459 Shock Spring 1.4*20mm (Yellow)

NHA460 Shock Spring 1.4*20mm (Red)

NHA461 Shock Spring 1.4*20mm (Green)

NHA462 Shock Spring 1.4*20mm (Purple)

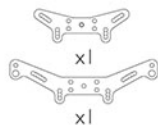
NHA463 T410FWD Spur Gear Mount

NHA464 T410FWD Chassis

NHA465 T410FWD Upper Deck

NHA466 T410FWD Battery Holder

NHA467 T410FWD Center Drive Shaft

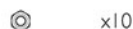
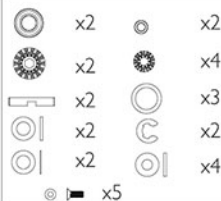
NHA468 T410FWD Rear Axles

NHA469 T410FWD Steering Bolt

NHA470 T410FWD AL-Gear Mount

NHA471 T410FWD Shock Tower (F&R)

NHA472 Battery Strap

NHA473 T410FWD Front Weight

NHA474 M3 Thin Nylon Locking Hex Nu

NHA475 Heavy duty gear diff set

NHA476 T410 FWD Bumper




A series of horizontal dotted lines for writing, spanning the width of the page.

CARTEN[®]

1/10 EP RC TOURING CAR

T410FWD



CARTEN RC Website

✉ service@carten-rc.com