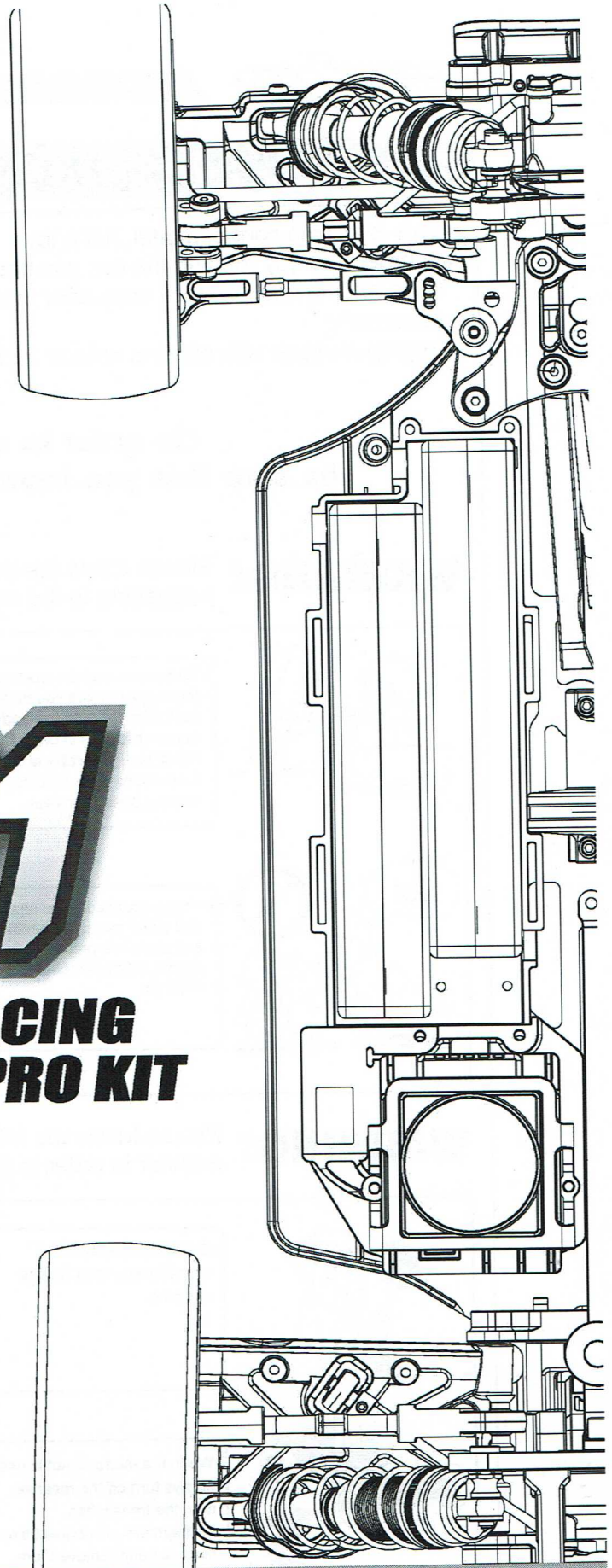


**caster**  
RACING

**821**

**1/8 4WD RACING  
BUGGY PRO KIT**



**Manual**




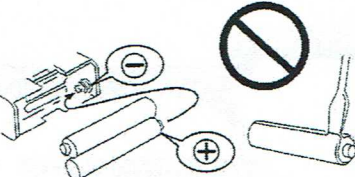

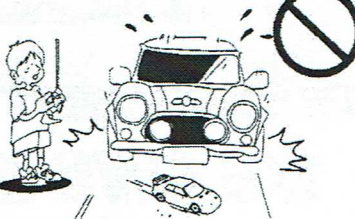


## SAFETY PRECAUTIONS



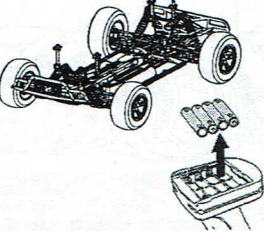

- This is a radio control model, not a toy!
- In order to enjoy running the car, you need to finish assembly before operation. You also need to do routine maintenance work after operation. Replacement and optional parts are available separately.
- Improper usage with alkaline cells or rechargeable store batteries may damage the car.

**<In order to operate the car safely,  
be sure that you have observed the following points:>**

**WARNING:** Please follow the points as below in order to prevent an accident from happening to the car and others.

	<ul style="list-style-type: none"><li>• Be sure to read the manual thoroughly before you begin. New users should seek advice from our forums in order to make sure assembly is correct if questions arise that the manual doesn't answer.</li></ul>		<ul style="list-style-type: none"><li>• Never reverse the connections or disassemble the batteries. This will lead to damage and/or leakage.</li></ul>
	<ul style="list-style-type: none"><li>• This product contains small and sharp parts. Assemble and store this product only in places out of the reach of children.</li></ul>		<ul style="list-style-type: none"><li>• Do not operate the model on public roads, in crowded places and near children as it may cause accidents.</li></ul>

**WARNING:** Please follow the following steps to operate this product in a safe manner in order to prevent potential damage or injuries.

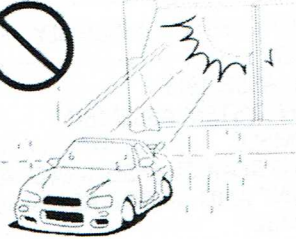
	<ul style="list-style-type: none"><li>• Cutters, pliers, and screwdrivers need careful handling.</li></ul>		<ul style="list-style-type: none"><li>• Painting must be done in a well ventilated area.</li></ul>
	<ul style="list-style-type: none"><li>• When the model is not in use, always turn off the receiver, then the transmitter. Furthermore, disconnect the batteries and remove them from the model and transmitter to prevent possible electronics damage.</li></ul>		<ul style="list-style-type: none"><li>• Never use the same frequency with someone else at the same time. Otherwise, the radio signals will be mixed and you will lose control of your model. This may lead to accidents.</li></ul>



# SAFETY PRECAUTIONS



● As the actual antenna may be dangerous, do not aim it or swing it towards anyone's face.



● Do not expose this model to high temperature, humidity, or direct sunlight for extended periods of time.

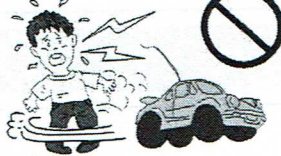
## Operating your model safely

**WARNING:** Do NOT operate the model in the following places and situations. (Non-observance may lead to an accident!)

- Operate your model in open areas only out of the way of people. Do not operate it:
  1. On public streets.
  2. In places where people gather.
  3. In residential areas and parks.
  4. Indoors or in limited spaces.

Non-observance may result in personal injury and/or property damage.

- Stop the car immediately if it is operating abnormally and check it out. If the problem is not identified and fixed, do NOT operate the car until it is fixed. This may lead to further trouble and unforeseen accidents.



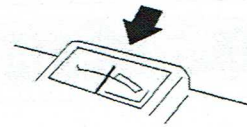
- Keep in mind that people around you might also be operating radio control models.

Never share the same frequency with someone else at the same time. Otherwise, radio signals will cross and you will lose control of your model which might lead to an accident.



- Always check the radio batteries.

Weak batteries will lead to lower reception and you can lose control of your model. This may also cause a potential accident.



**WARNING:** In order to avoid accidents and personal injury, be sure that you observe the following points:

- Precautions when using batteries

1. Proper disposal of old batteries.
2. Do not attempt to recharge non rechargeable batteries. They could cause a fire or explode.
3. Do not throw batteries in a fire. They will explode.
4. Do not swallow batteries.
5. Store only in cool and dry places out of the reach of children.
6. If the batteries leak liquid, do not get it in your eyes, otherwise, consult an emergency physician.



- Do NOT put fingers or any other objects in any rotating or moving parts.



(PROHIBITED)



(PROHIBITED)

- Right after use, do not touch the motor. There is a potential danger of burning yourself.



# INDEX

BAG A DIFFERENTIAL SET ASSEMBLY .....	P.1-2
BAG B GEAR BOX ASSEMBLY .....	P.3
BAG C FRONT SUSPENSION SYSTEM ASSEMBLY .....	P.4-6
BAG D C-HUBS ASSEMBLY .....	P.6-7
BAG E STEERING SYSTEM ASSEMBLY .....	P.7-9
BAG F REAR SUSPENSION SYSTEM ASSEMBLY .....	P.9-11
BAG G REAR HUBS ASSEMBLY .....	P.11-12
BAG H WINGMOUNT AND REAR CHASSIS BRACE ASSEMBLY .....	P.12-14
BAG I CENTER DIFF MOUNT AND MOTOR ASSEMBLY .....	P.15
BAG J SIDEGUARD ASSEMBLY .....	P.15
BAG K CHASSIS ASSEMBLY .....	P.16
BAG L BATTERY BOX ASSEMBLY .....	P.16
BAG M SERVO AND RECEIVER BOX ASSEMBLY .....	P.17
BAG N SHOCKS ASSEMBLY .....	P.18-19
BAG O WING ASSEMBLY .....	P.20
BAG P WHEEL AND BODY ASSEMBLY .....	P.20-21
SPARE PARTS .....	P.22-26

## SYMBOLS USED THROUGHOUT THE MANUAL



Apply silicon oil



Pay attention



Hint



Assemble as many times as specified



Apply threadlocker



Must be purchased separately



Assemble left and right side the same way



Apply grease



Cut off shaded portion

## TOOLS REQUIRED FOR ASSEMBLY

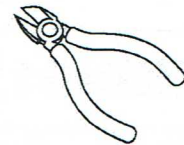


Hex Wrenches  
1.5 / 2.0 / 2.5 mm  
六角板手組



Super Glue  
(CA Glue)  
快乾膠

Thread Locking  
Adhesive  
(Threadlocker)  
螺絲防鬆膠



Wire Cutter  
斜口剪



Needle Nose Pliers  
尖嘴鉗



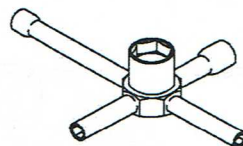
Lexan Body curved Scissor  
車殼專用剪



Philips  
Screwdrivers  
十字起子



Grease  
潤滑油膏  
(黃油)



5-Way Cross Wrench  
十字套筒



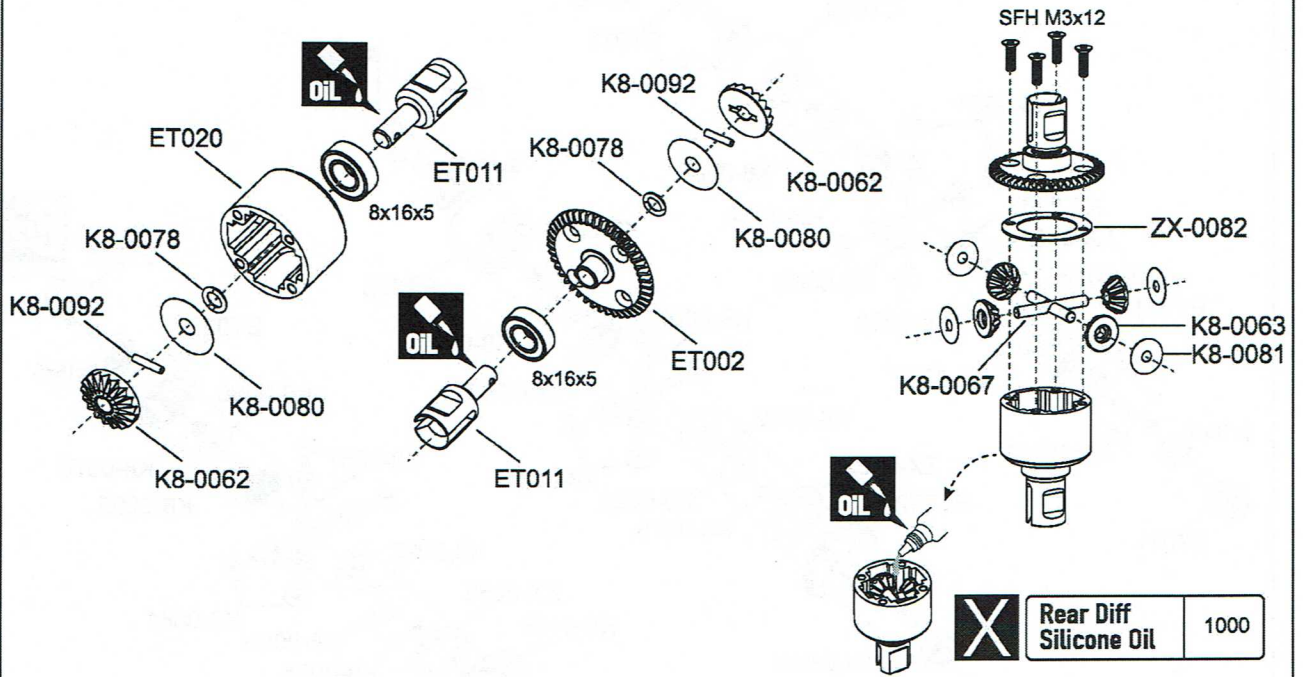
Body Reamer  
車殼鑽孔器



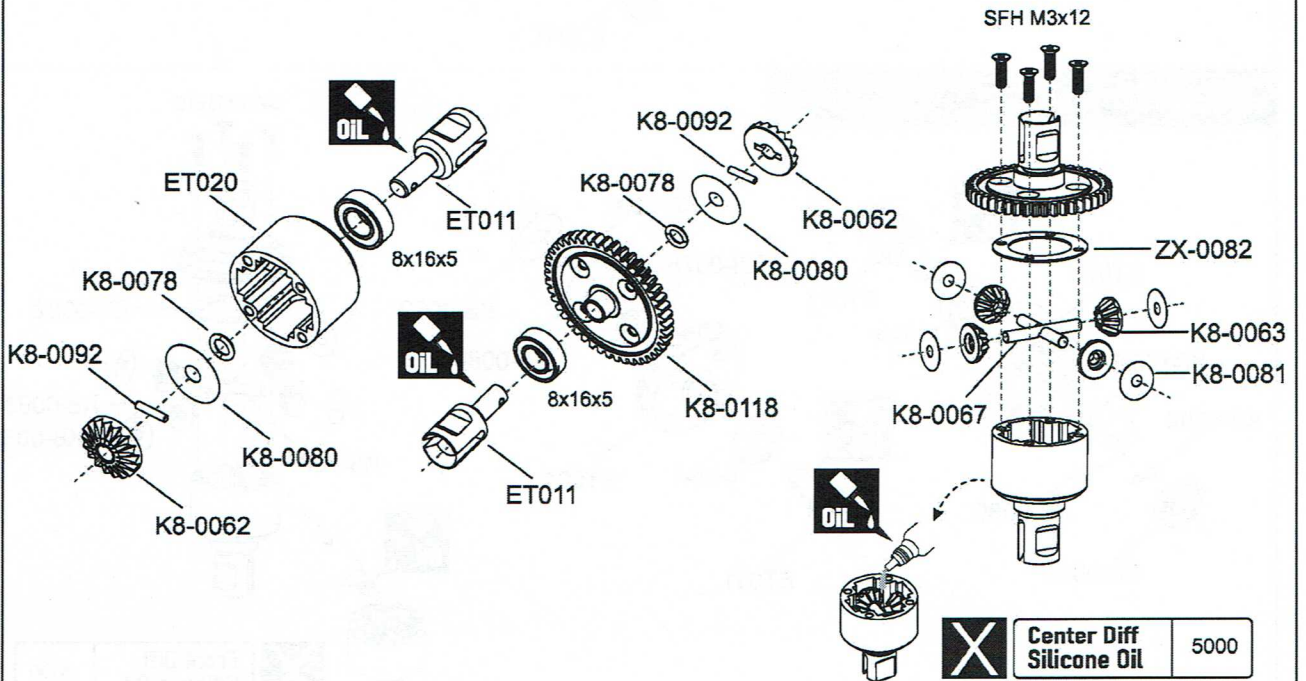




## Step 2 The Rear Diff



## Step 3 The Center Diff



Apply silicon oil

Must be purchased separately

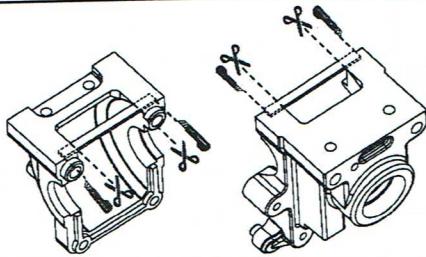


# BAG B Gear Box Assembly View

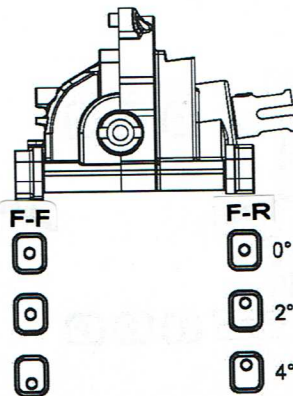
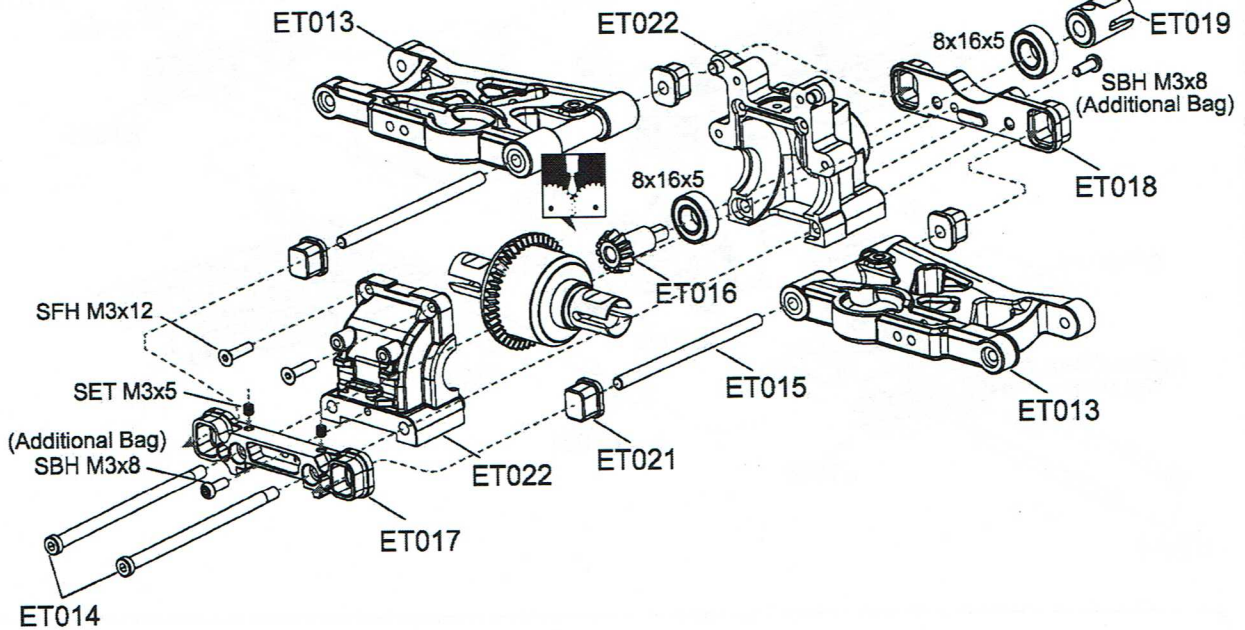
## Step 1 The Front Gear Box



**Gear Box**  
Please cut the extra plastic before you assembly.



SET M5x5



Apply threadlocker



Apply grease



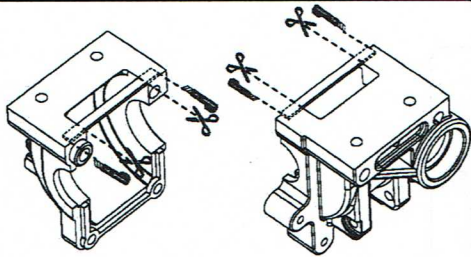
Cut off shaded portion



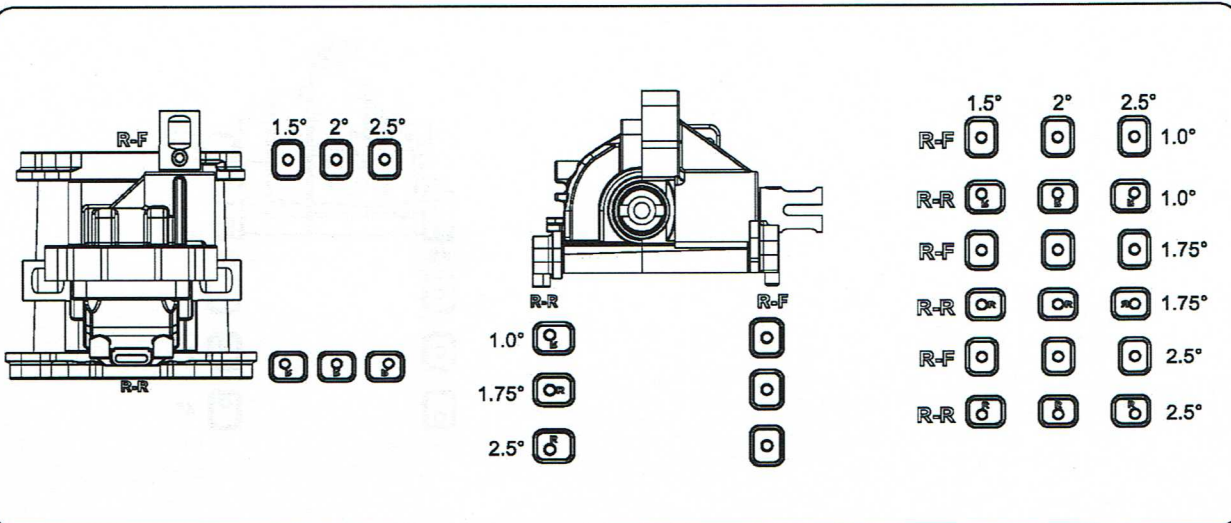
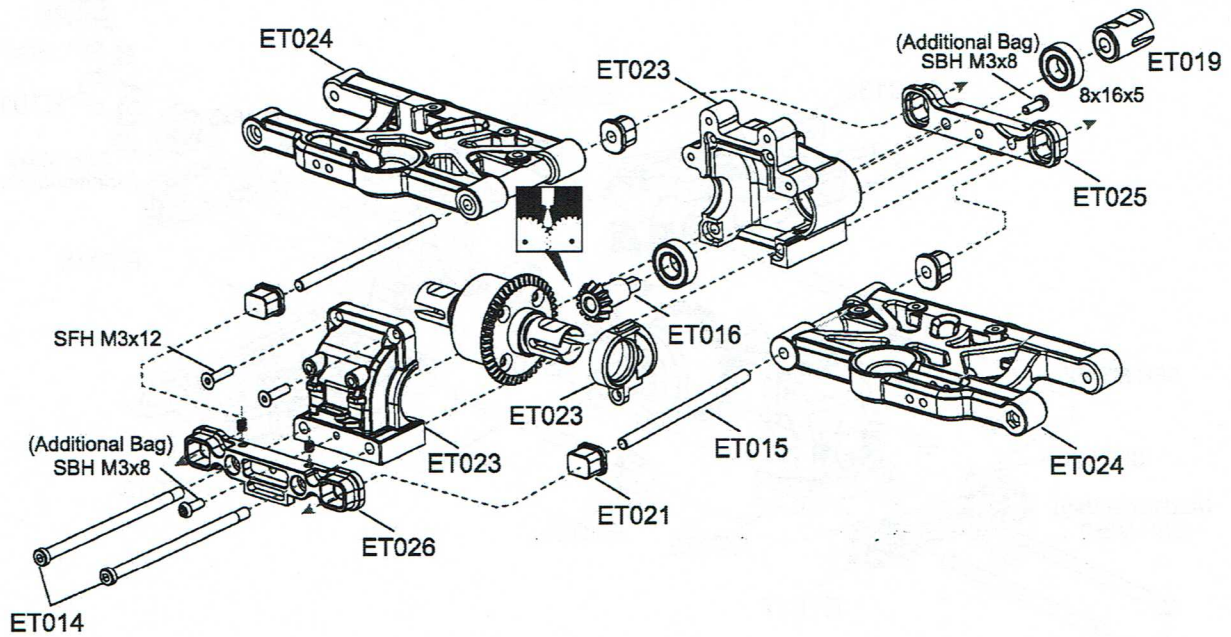
## Step 2 The Rear Gear Box



**Gear Box**  
Please cut the extra plastic before you assembly.



SET M5x5



Apply threadlocker



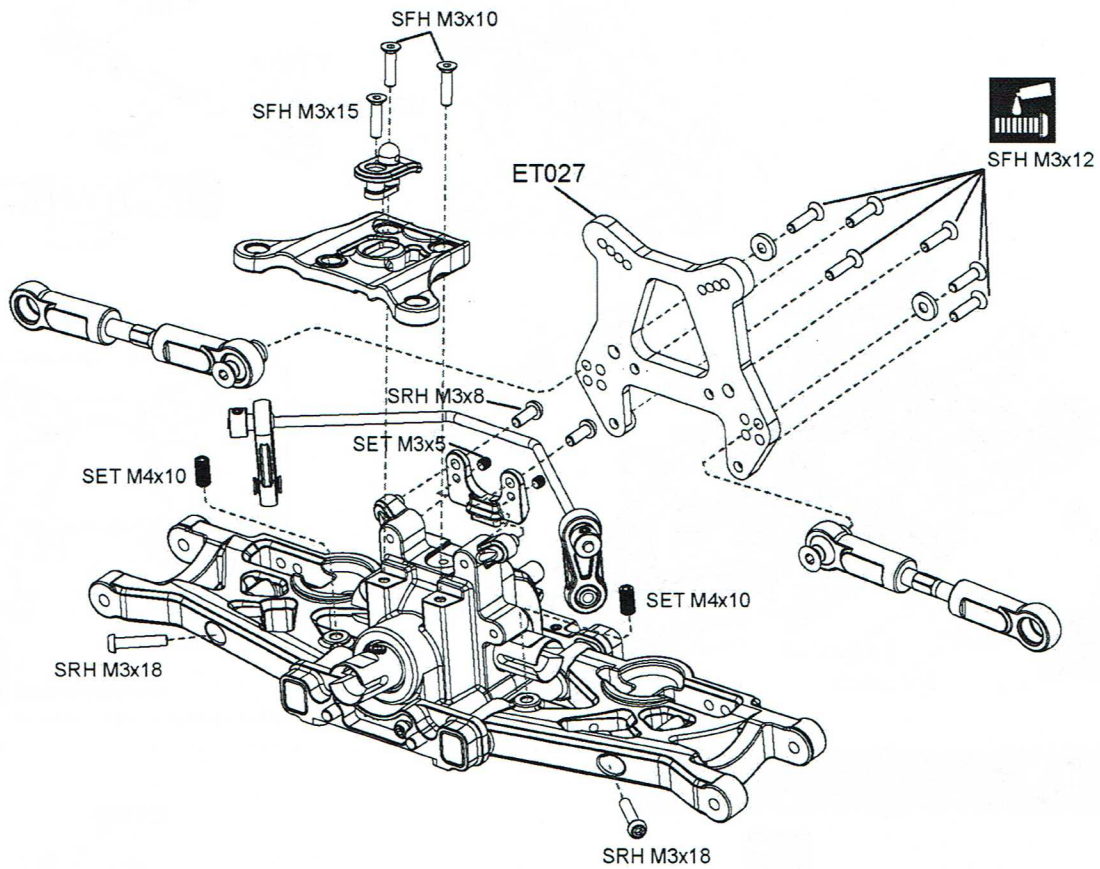
Apply grease



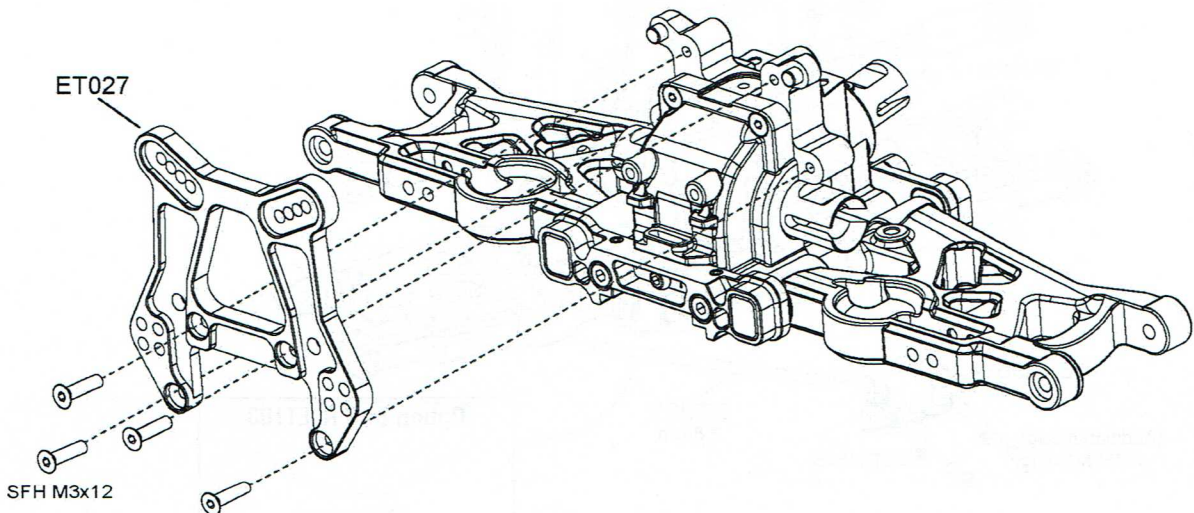
Cut off shaded portion




# BAG C Front Suspension System Assembly View



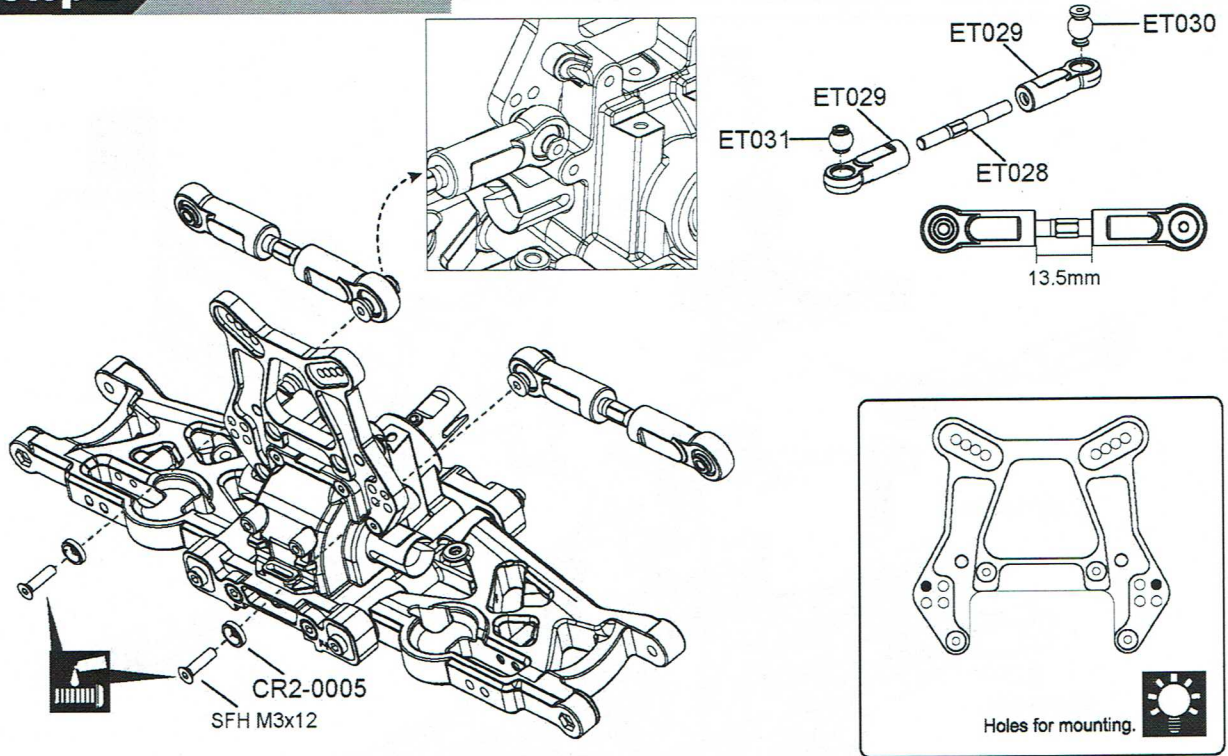
## Step 1 The Front Shock Tower



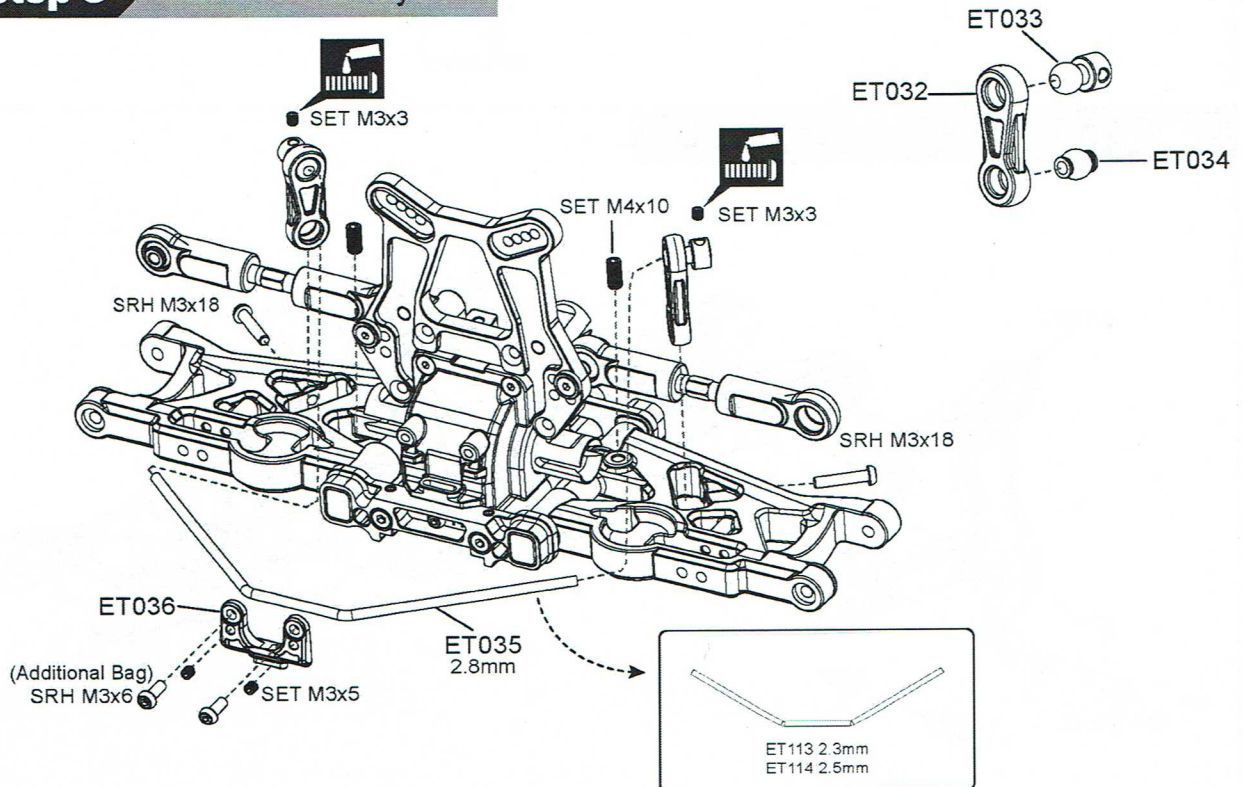
 Apply threadlocker



## Step 2 The Front Links

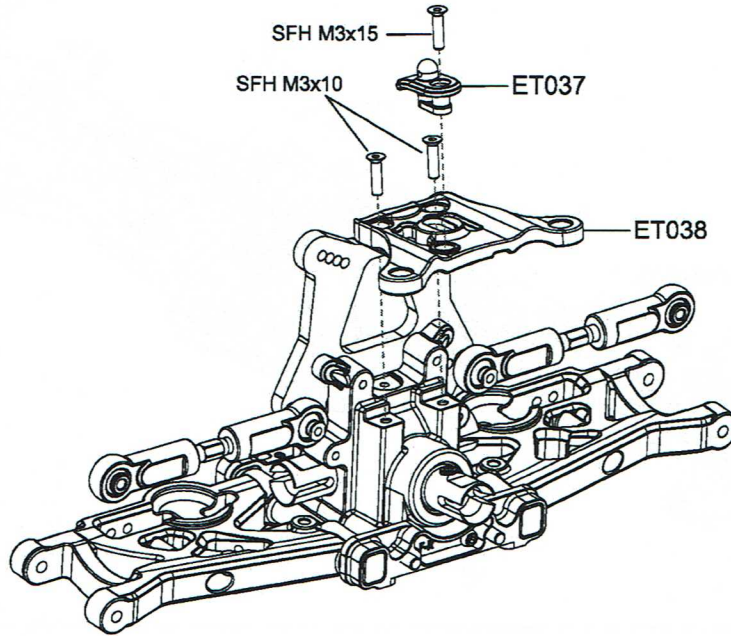


## Step 3 The Front Swaybar

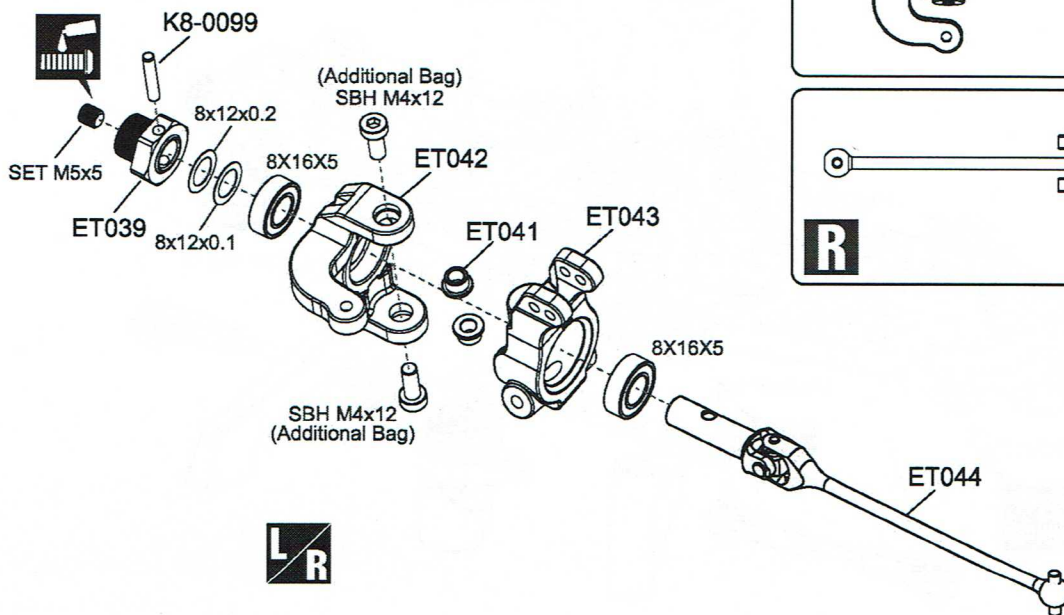





**Step 4** The Servo Saver Top Plate



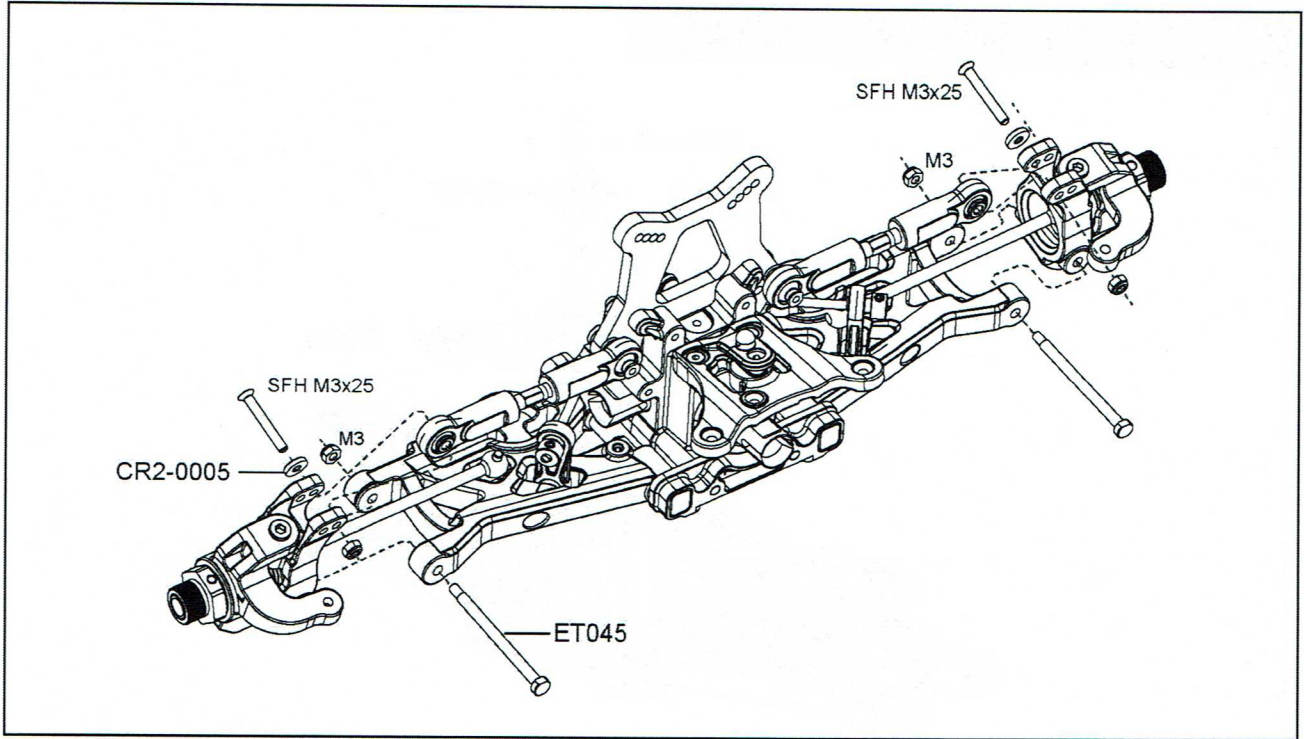
**BAG D C-Hubs Assembly**



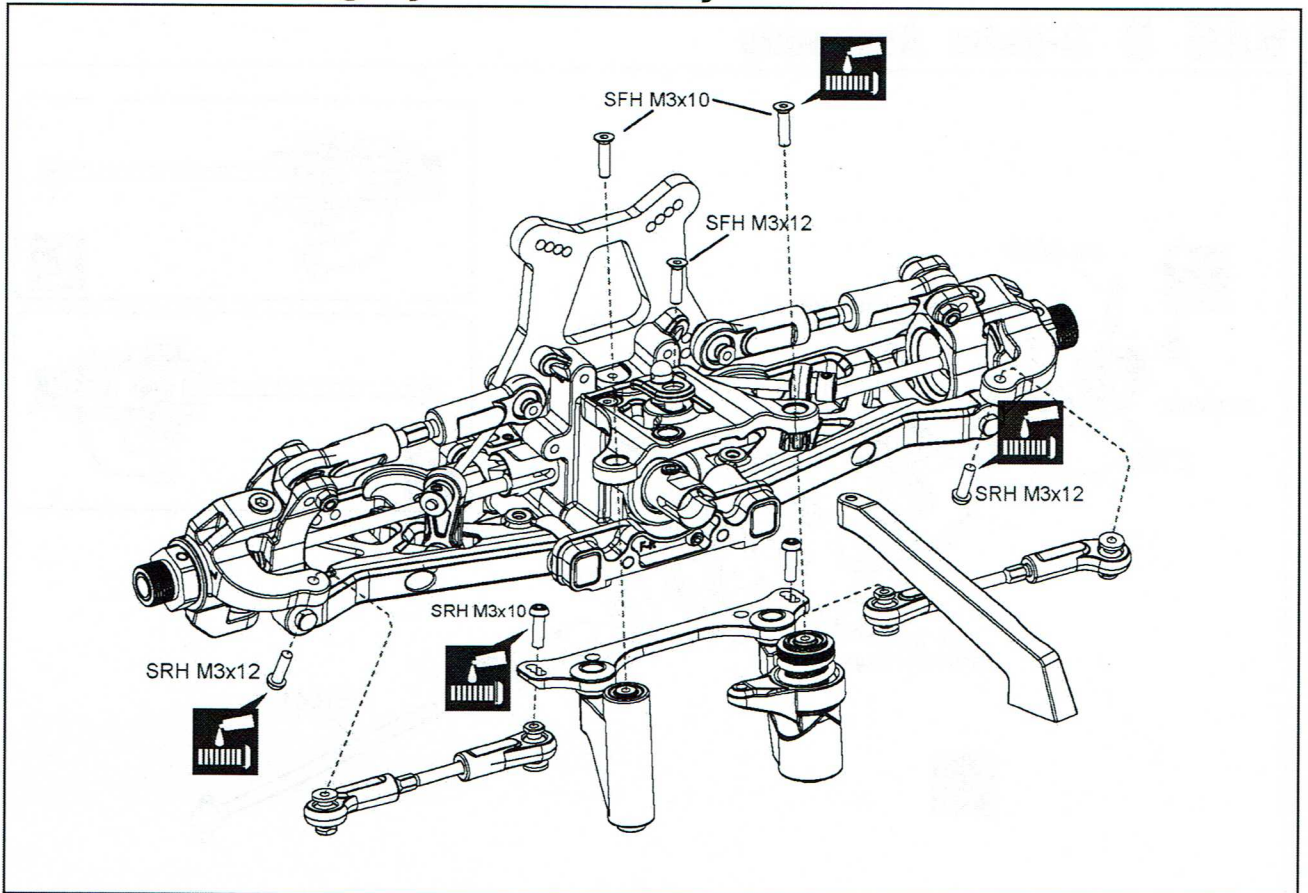
**L/R** Assemble left and right side the same way


 Apply threadlocker





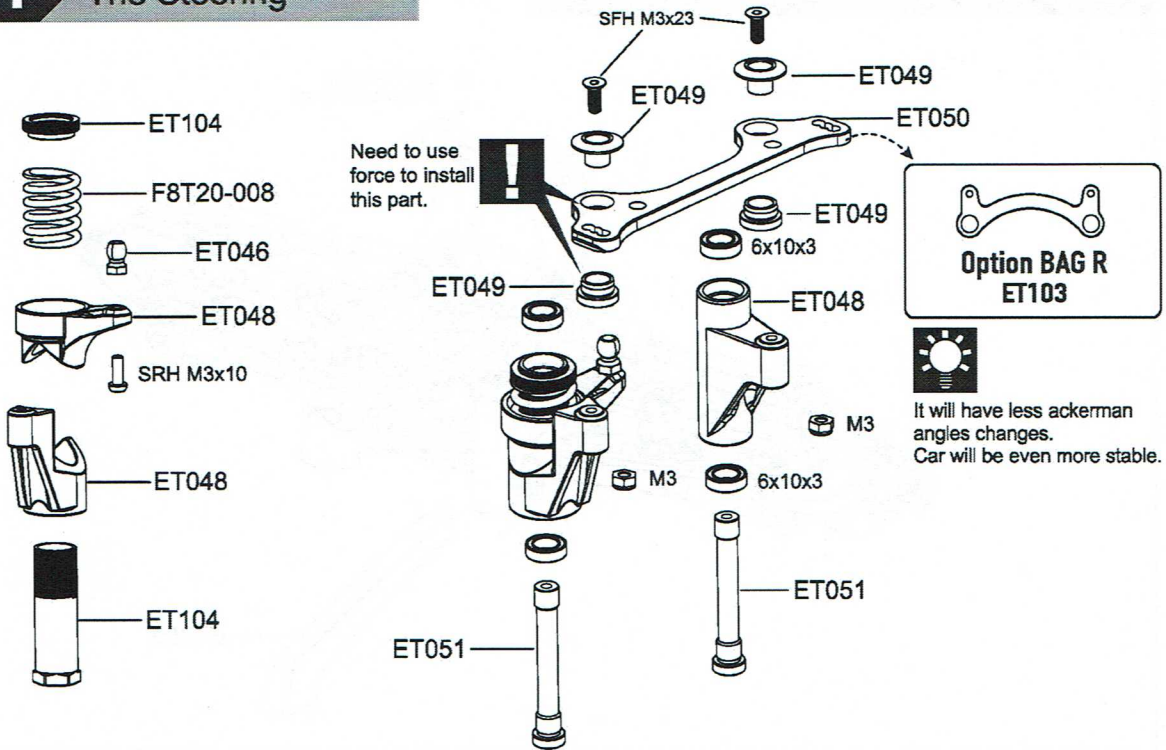
## BAG E Steering System Assembly View



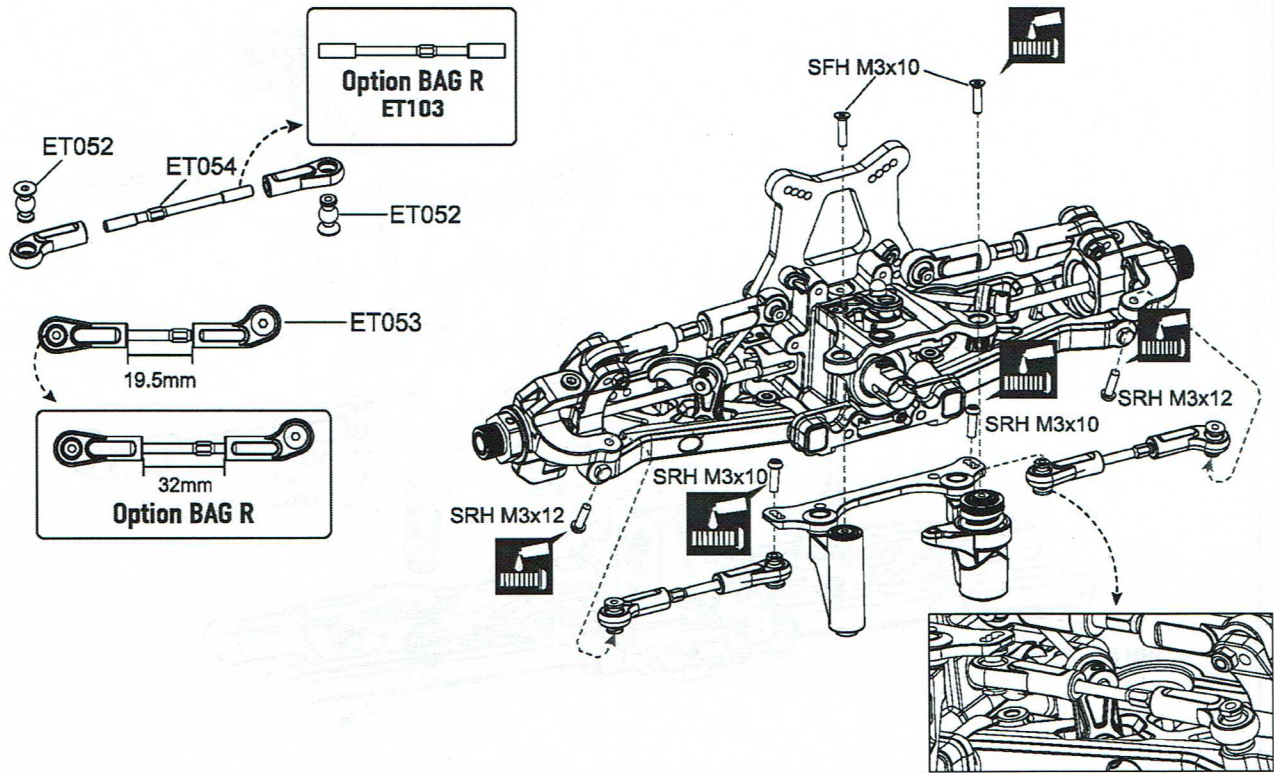
 Apply threadlocker



## Step 1 The Steering



## Step 2 The Steering Links



Apply threadlocker



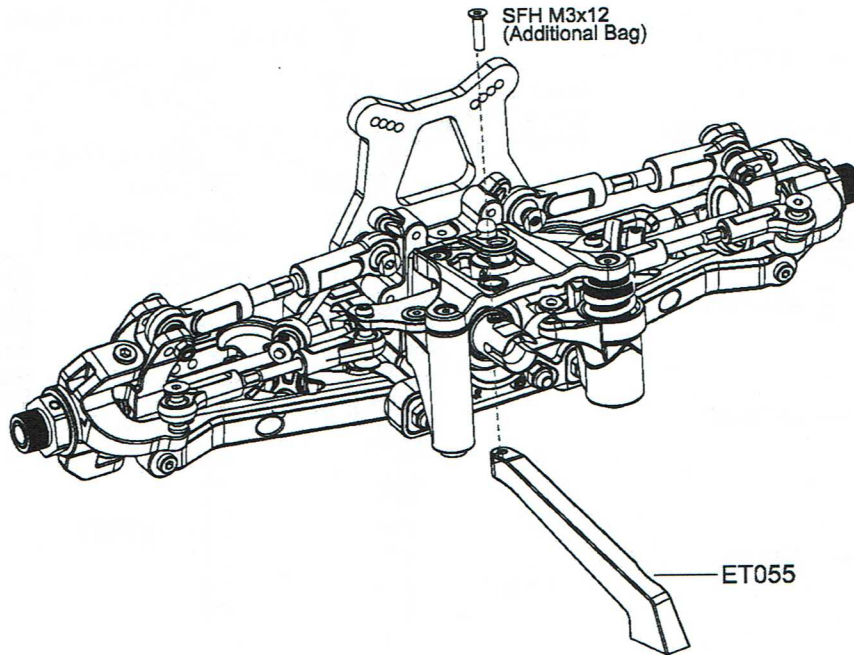
Pay attention



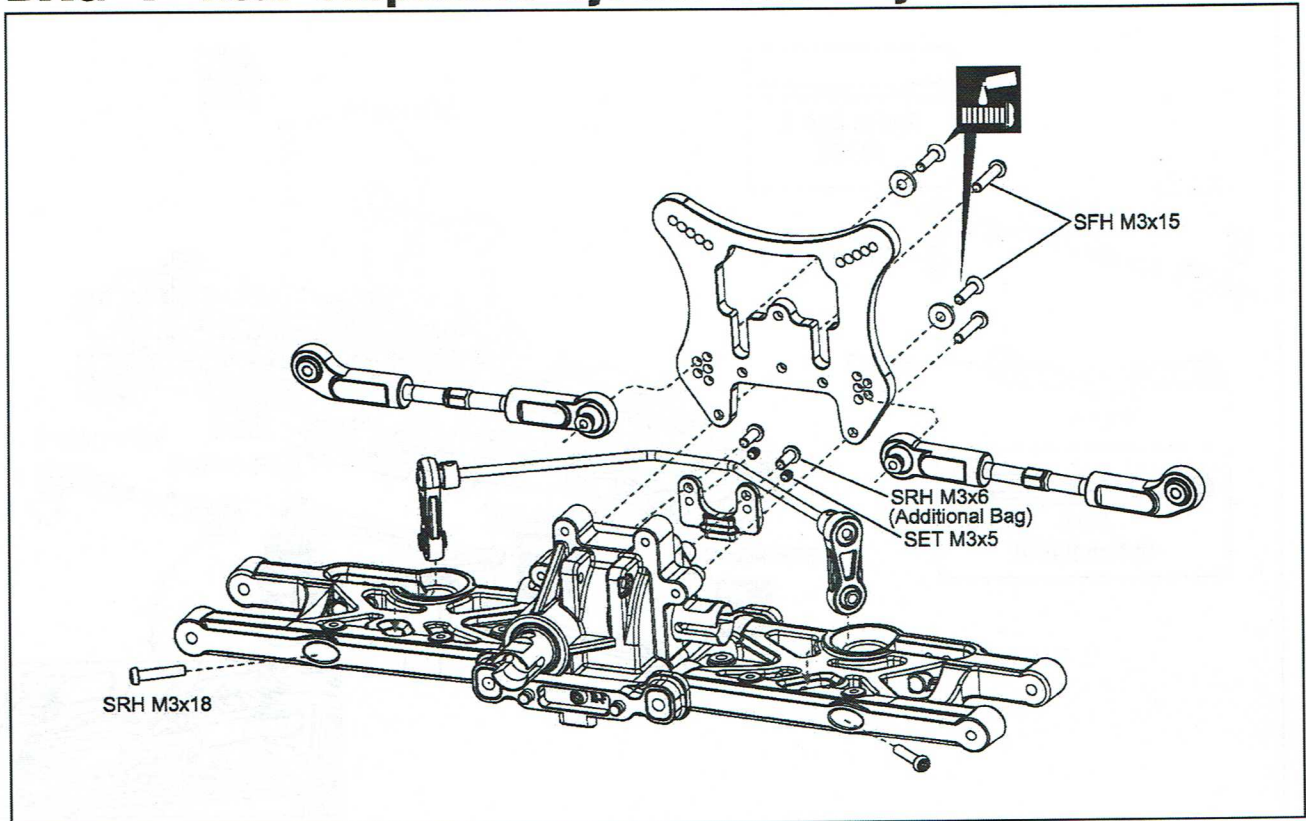
Hint



### Step 3 The Front Chassis Brace



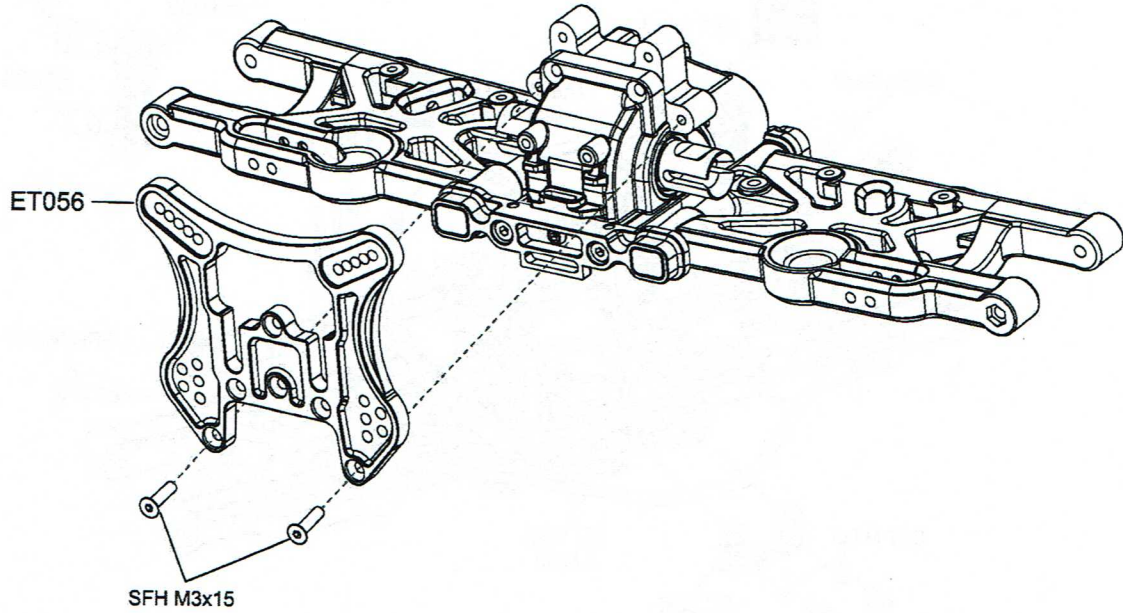
## BAG F Rear Suspension System Assembly



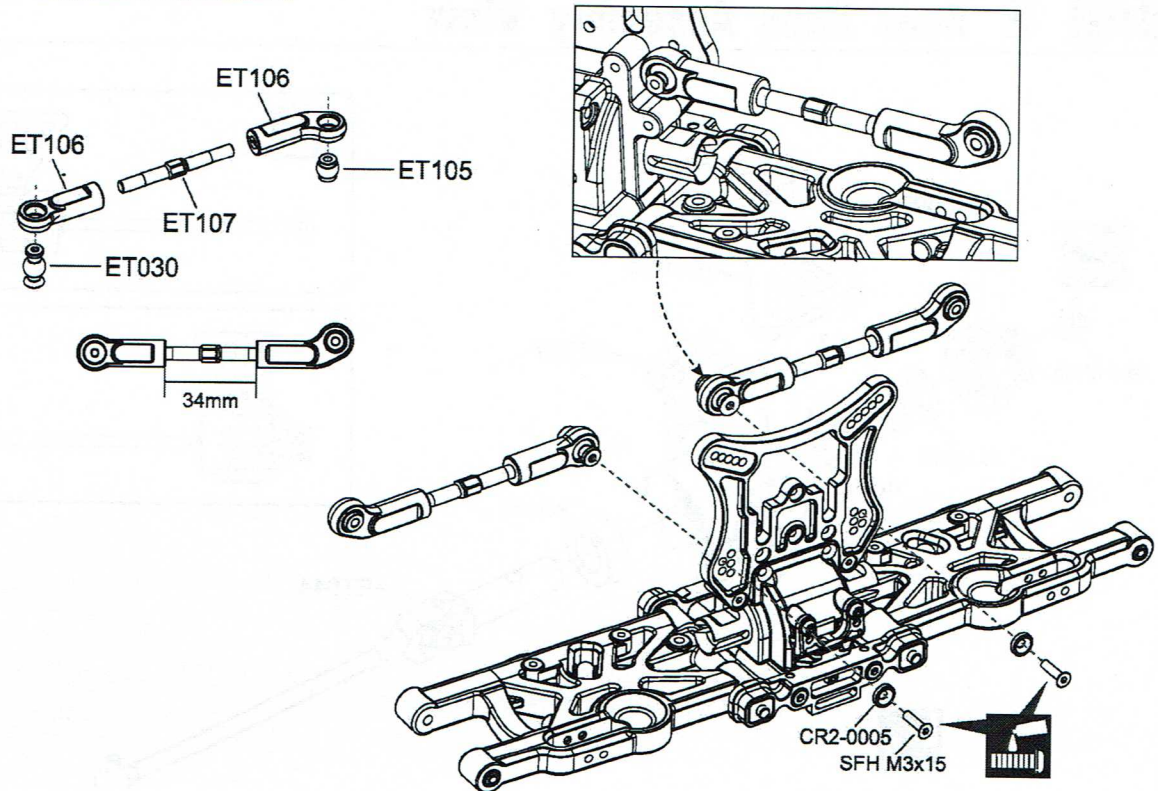
Apply threadlocker



**Step 1** The Rear Shock Tower



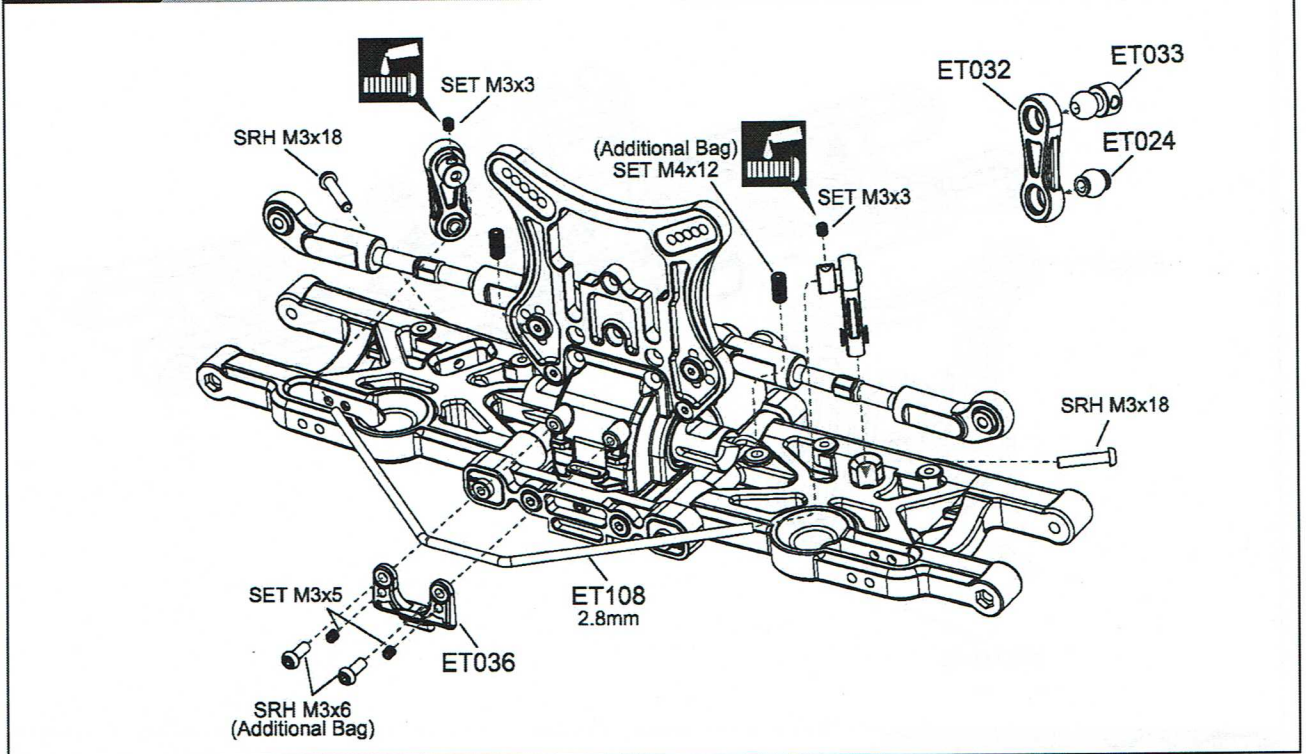
**Step 2** The Links



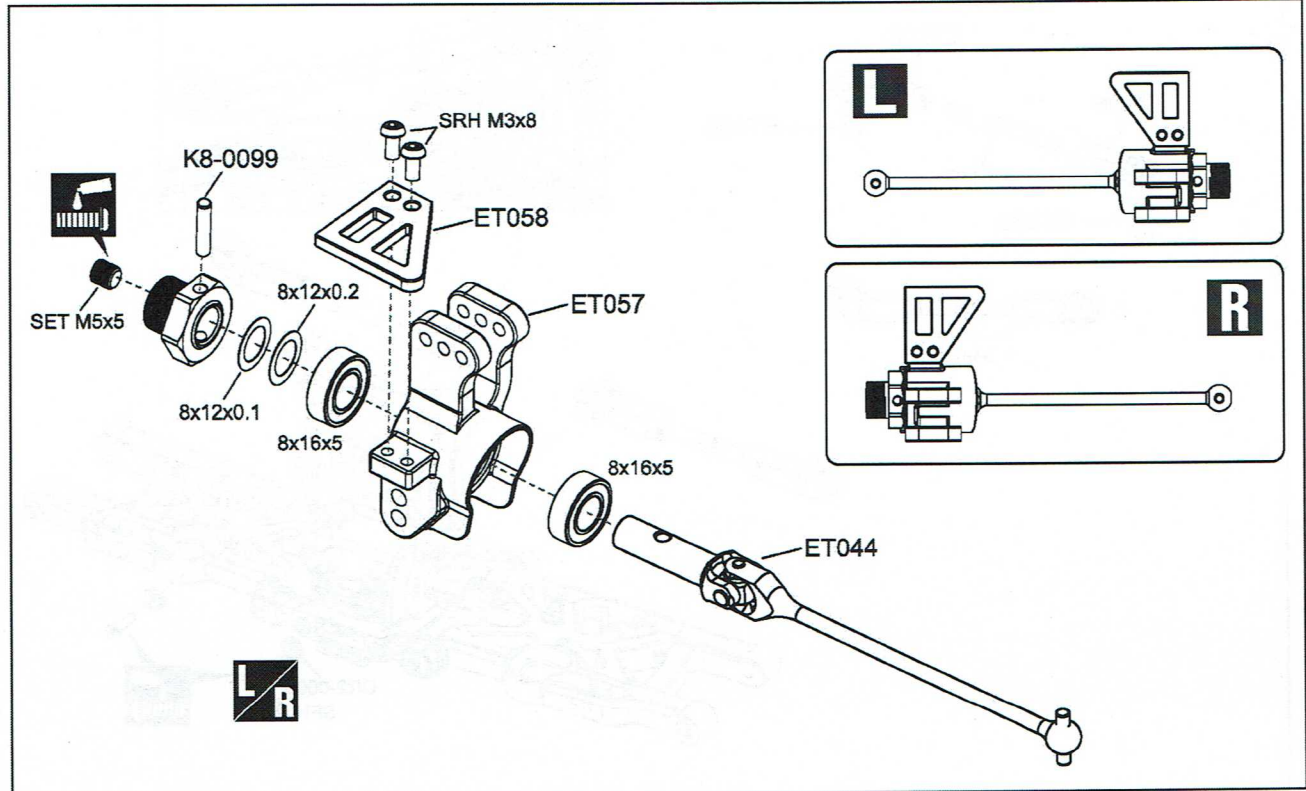
Apply threadlocker



### Step 3 The Rear Swaybar



### BAG G Rear Hubs Assembly View

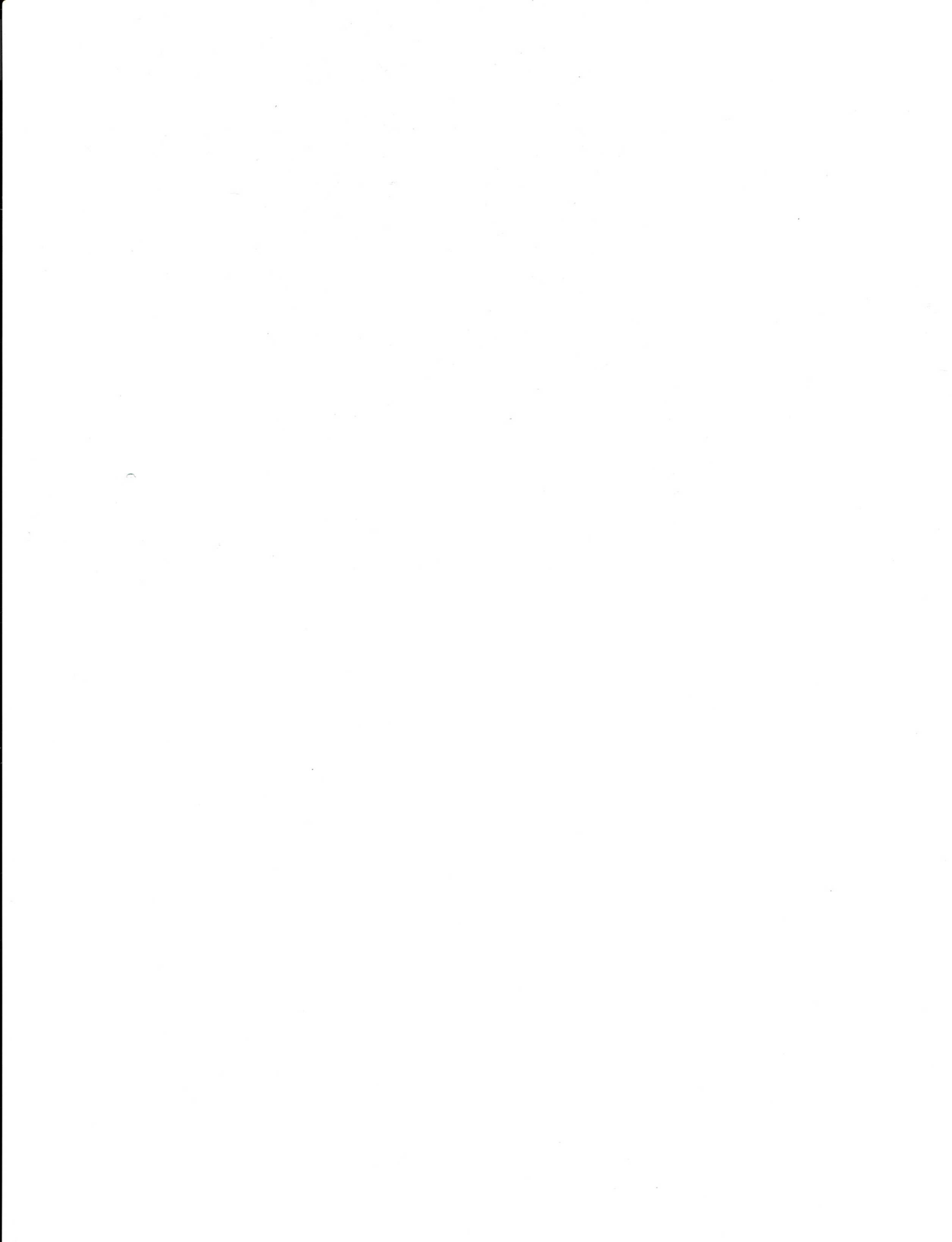


Assemble left and right side the same way

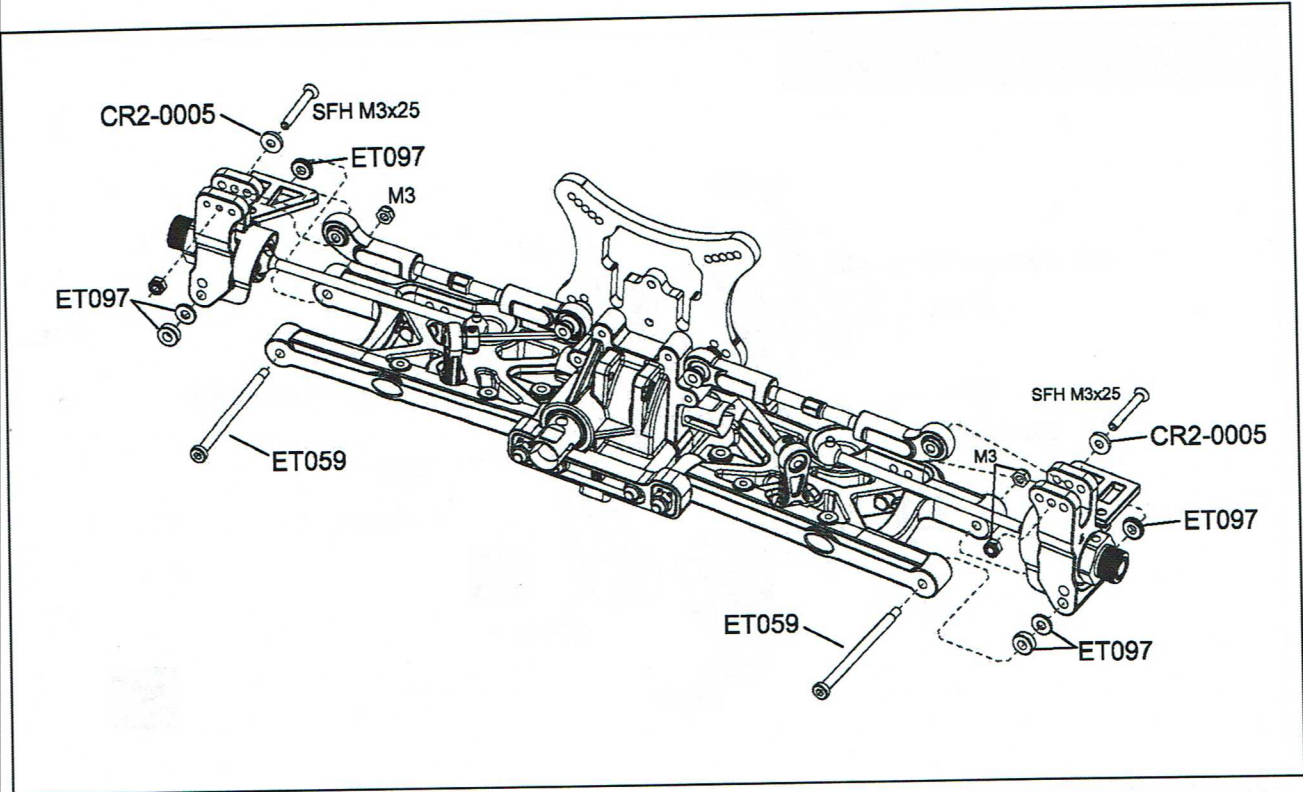


Apply threadlocker

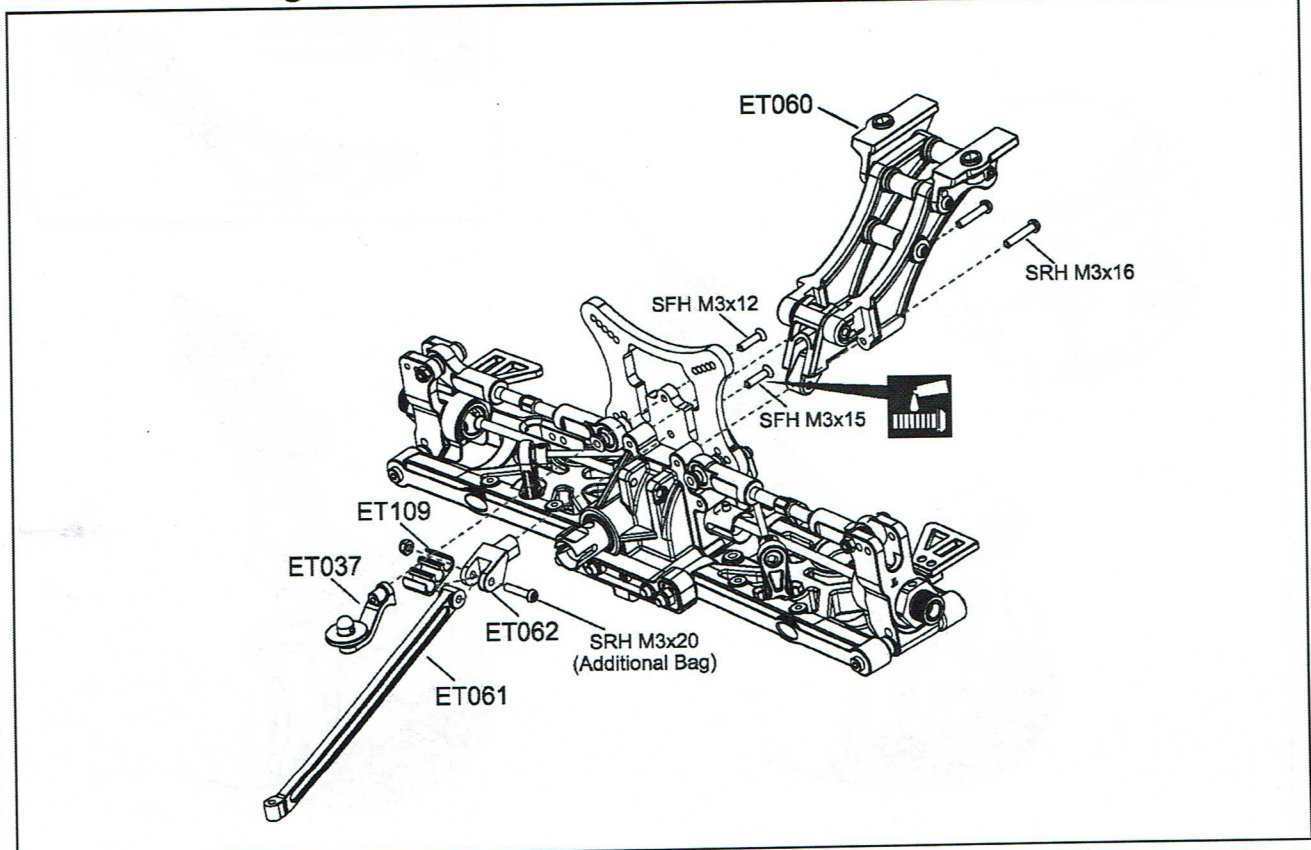









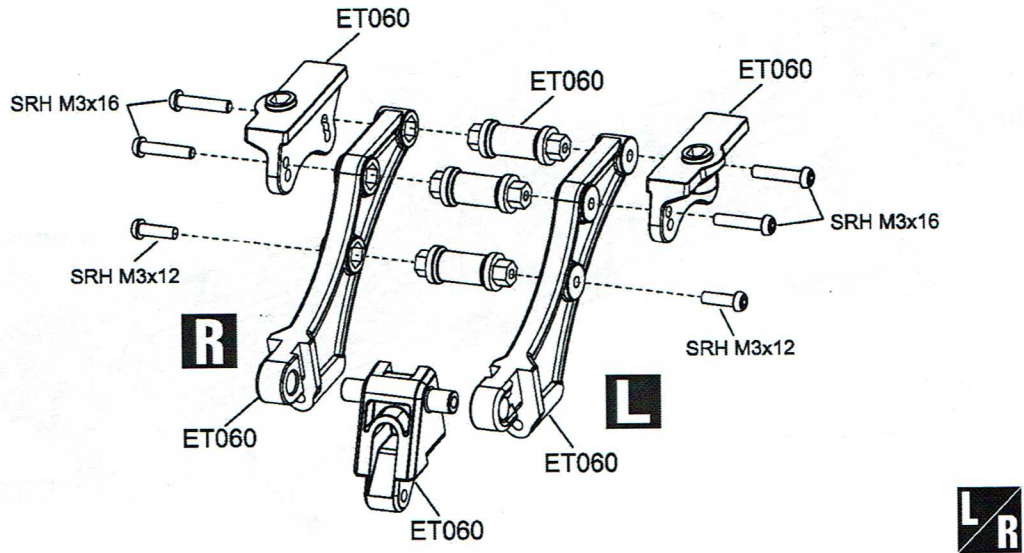
### BAG H Wingmount And Rear Chassis Brace Assembly View



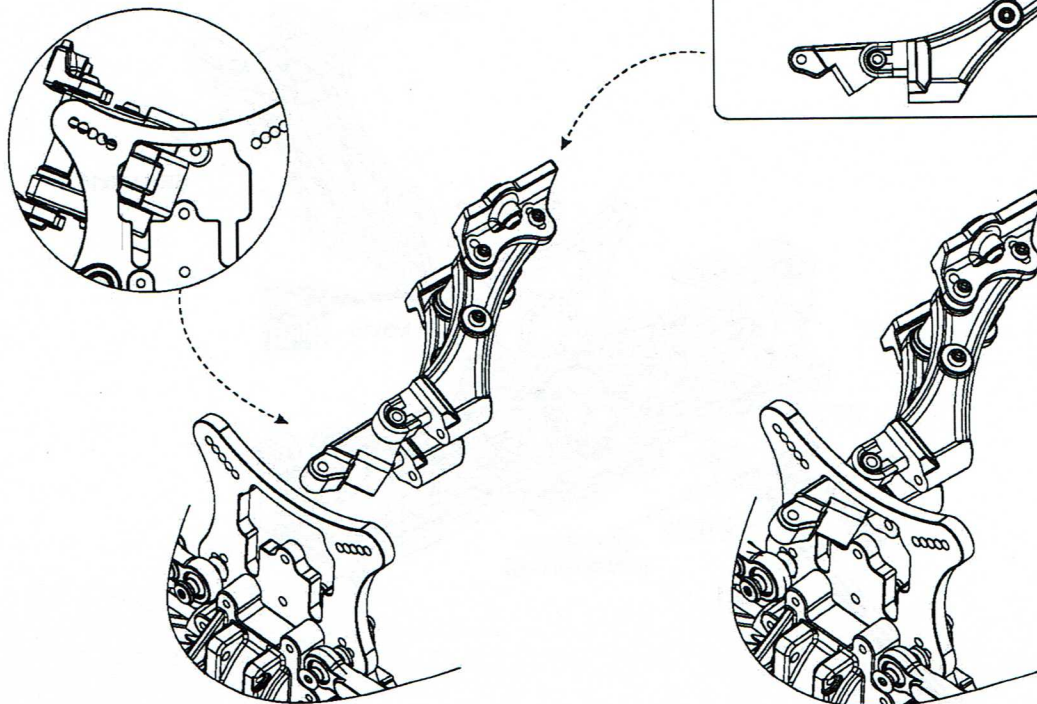
 Apply threadlocker




**Step 1** The Wingmount



**Step 2** The Wingmount



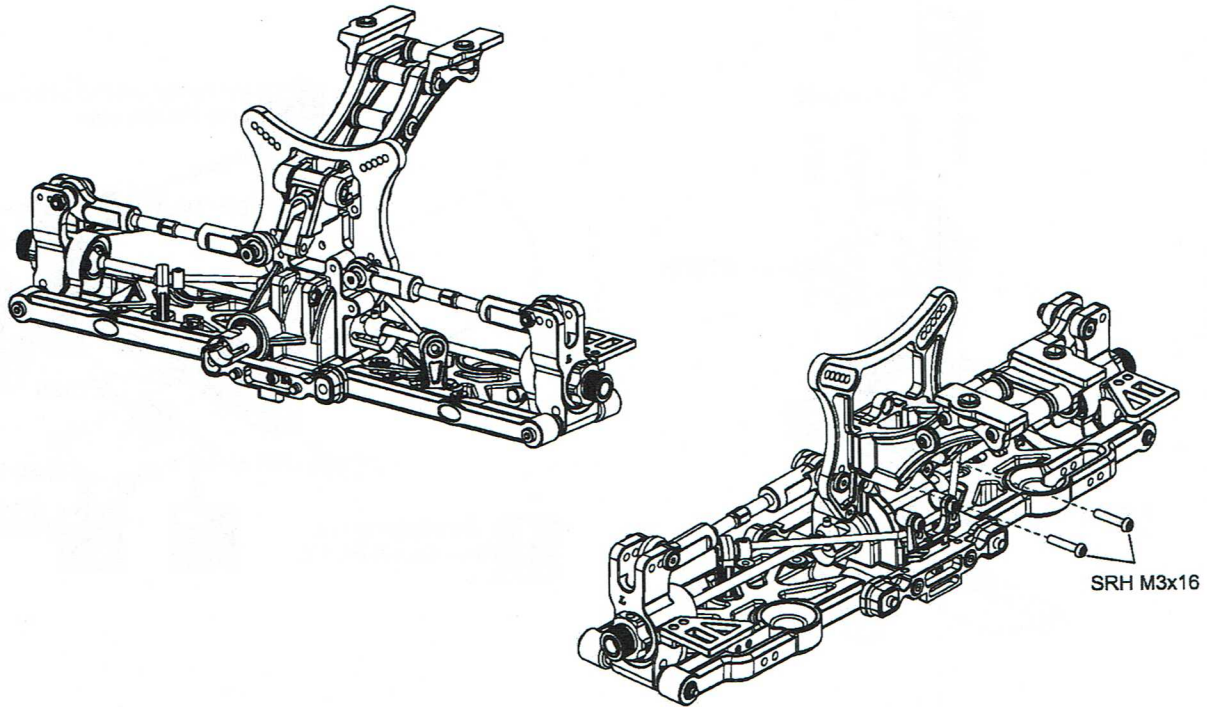
 Assemble in the direction shown

**L/R** Assemble left and right side the same way

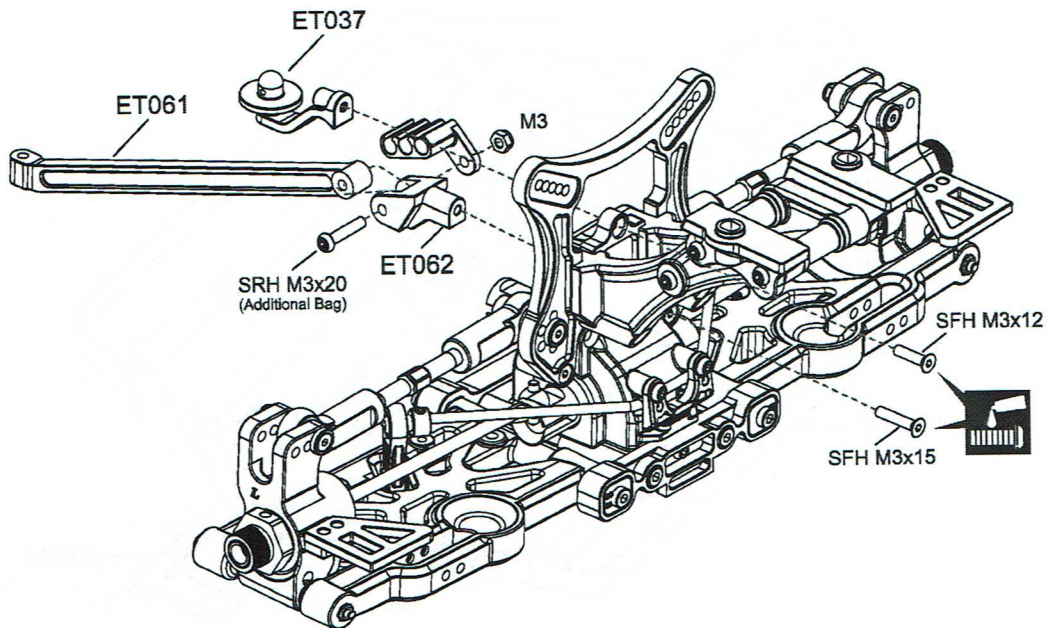
 Hint



**Step 3** The Wingmount



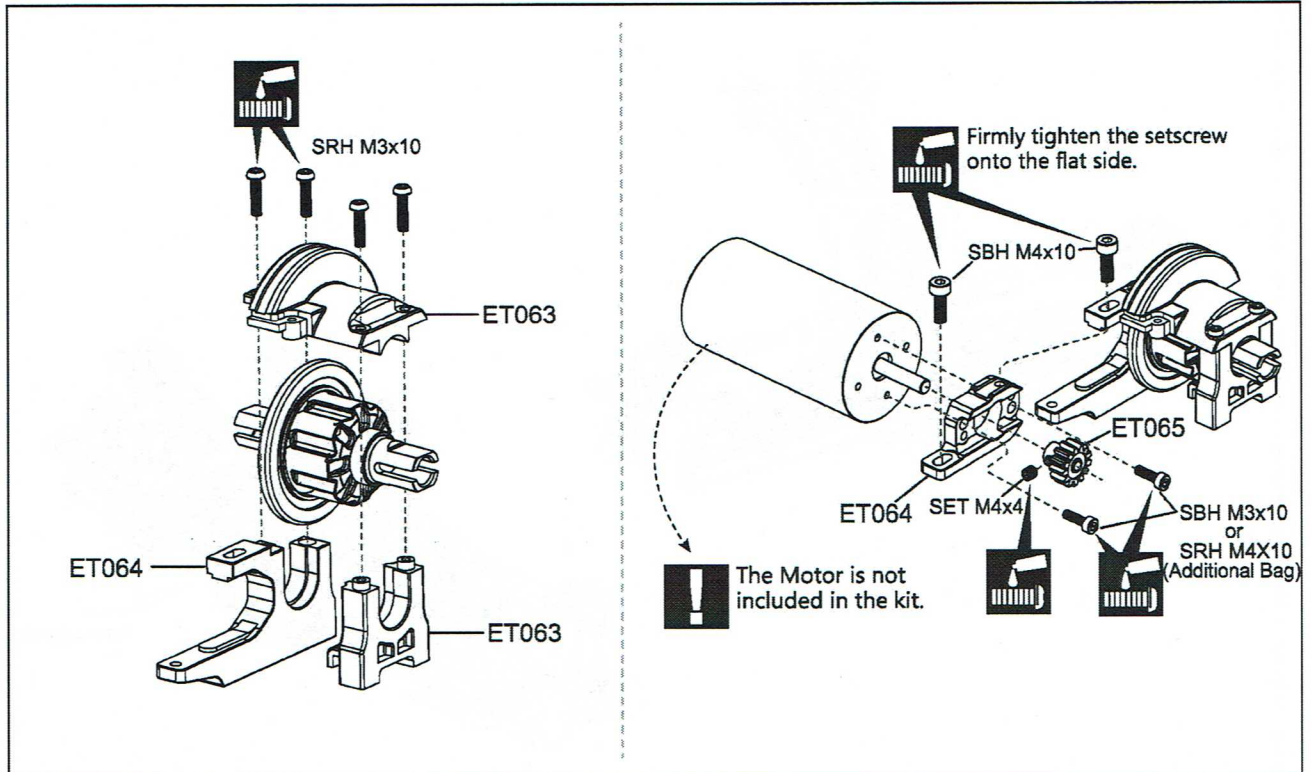
**Step 4** The Rear Chassis Brace



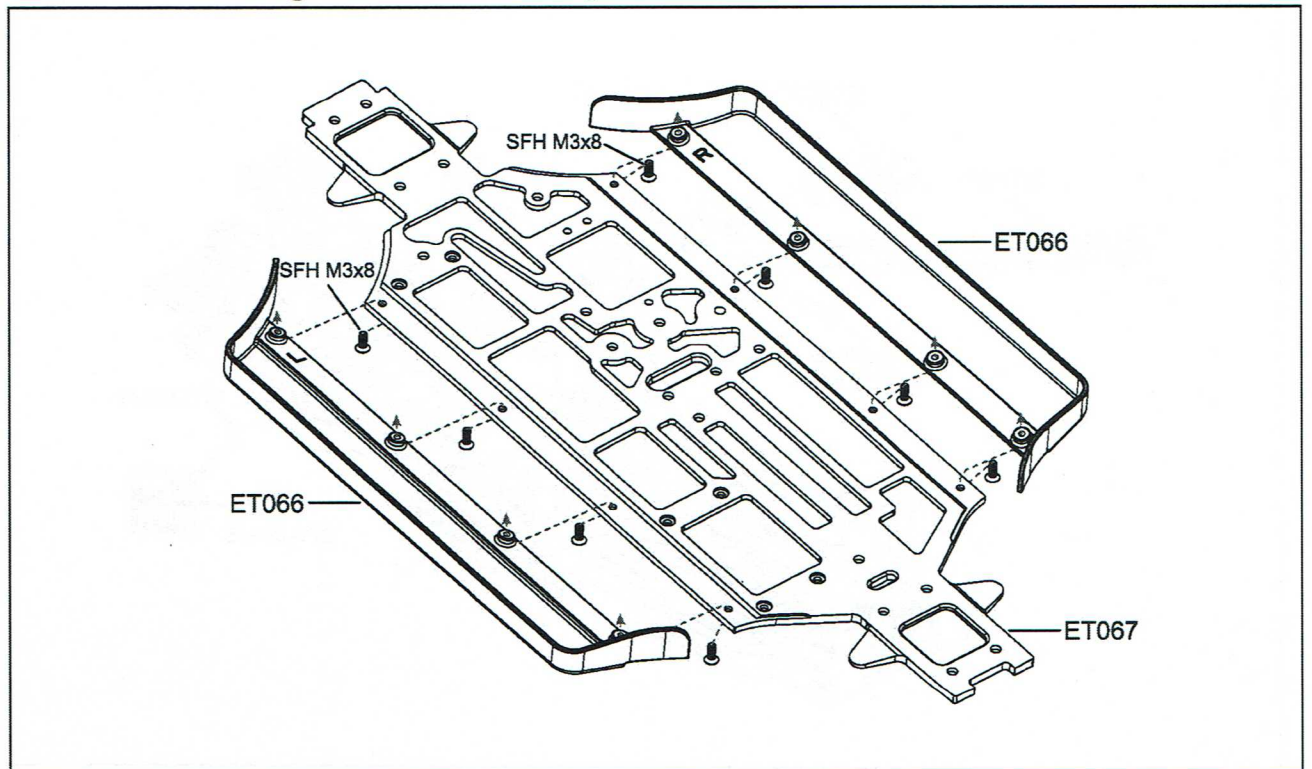
Apply threadlocker



## BAG I Center Diff Mount And Motor Assembly View



## BAG J Sideguard Assembly View



Pay attention



Apply threadlocker



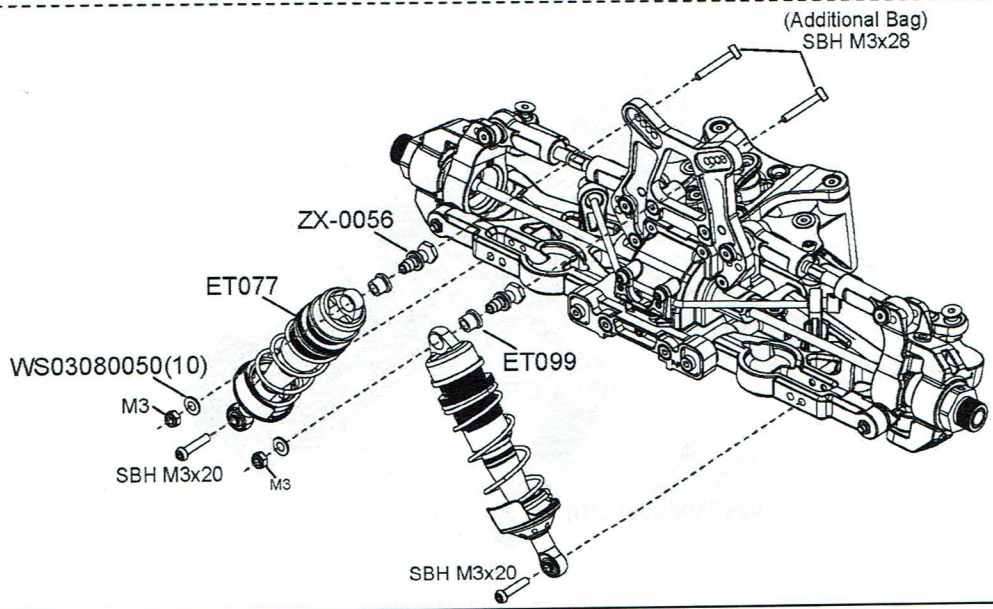
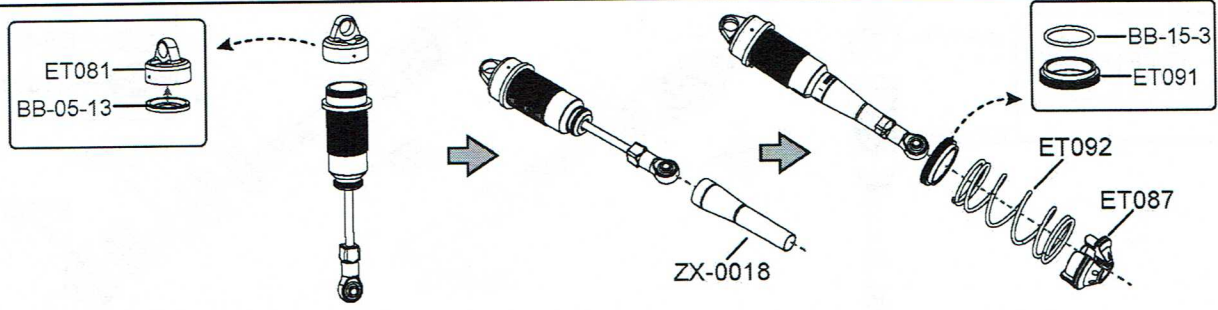
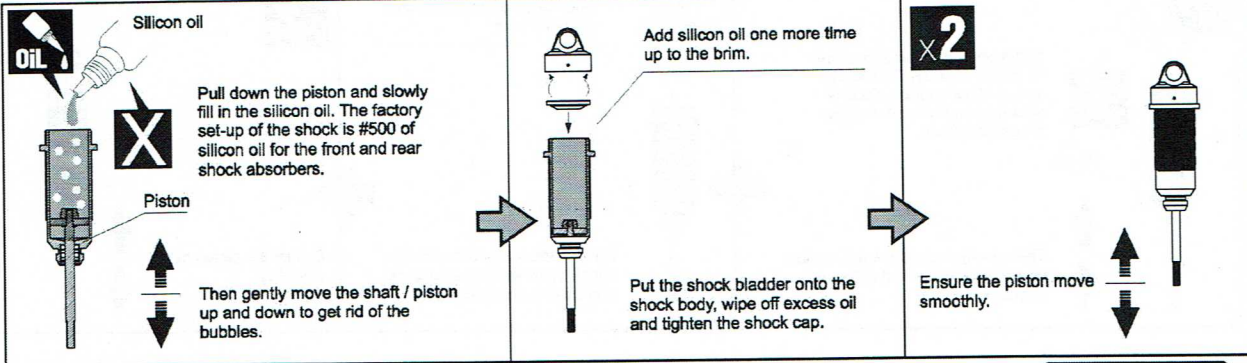
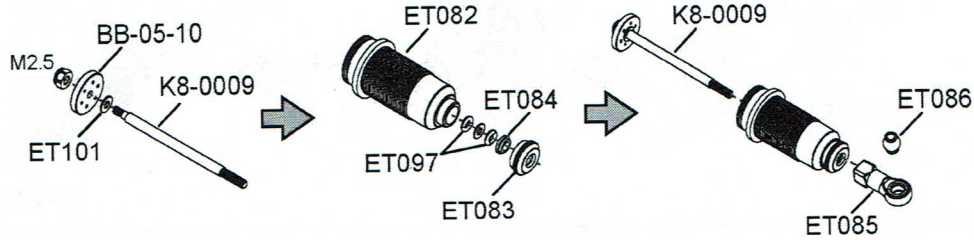






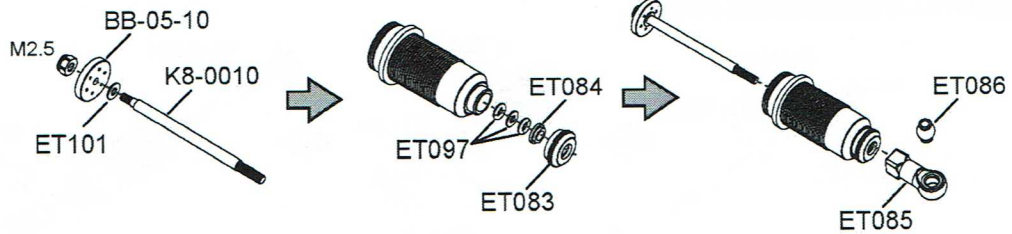
# BAG N Shocks Assembly View

## Step 1 The Front Shock

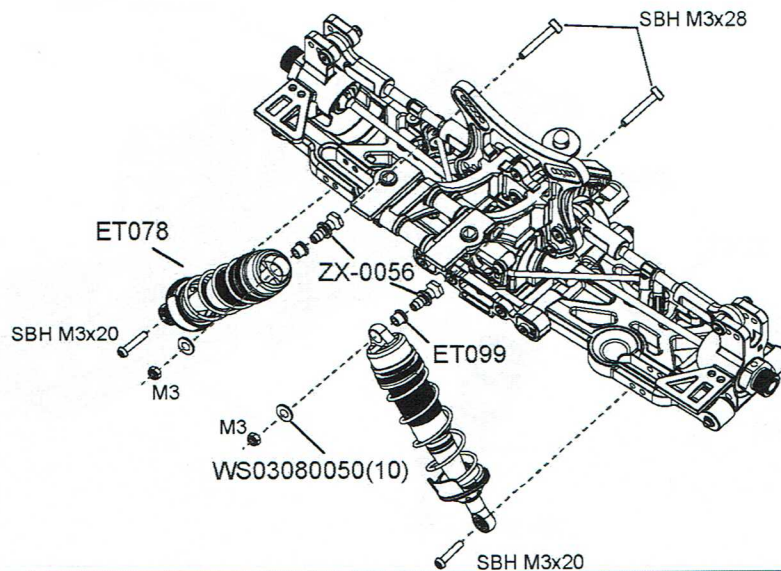
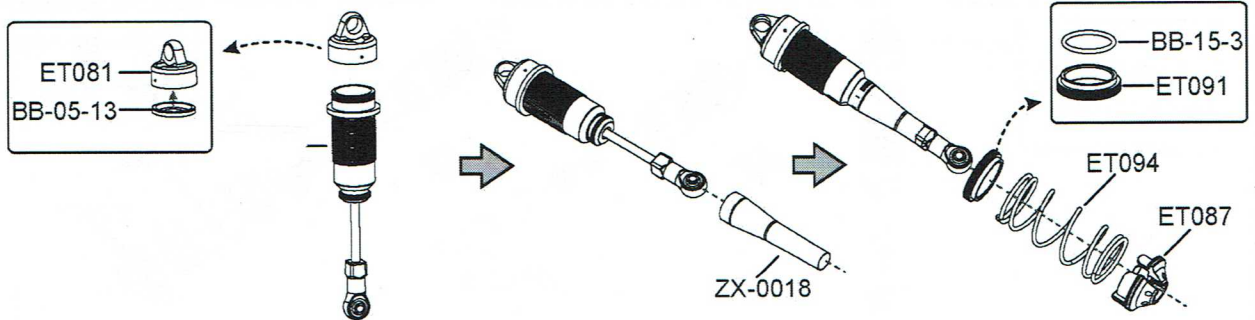


Apply silicon oil    
 Must be purchased separately    
 Assemble as many times as specified

## Step 2 The Rear Shocks



<p><b>OIL</b> Silicon oil</p> <p><b>X</b></p> <p>Piston</p> <p>Pull down the piston and slowly fill in the silicon oil. The factory set-up of the shock is #500 of silicon oil for the front and rear shock absorbers.</p> <p>Then gently move the shaft / piston up and down to get rid of the bubbles.</p>	<p>Add silicon oil one more time up to the brim.</p> <p>Put the shock bladder onto the shock body, wipe off excess oil and tighten the shock cap.</p>	<p><b>x2</b></p> <p>Ensure the piston move smoothly.</p>
--	---	--



Apply silicon oil



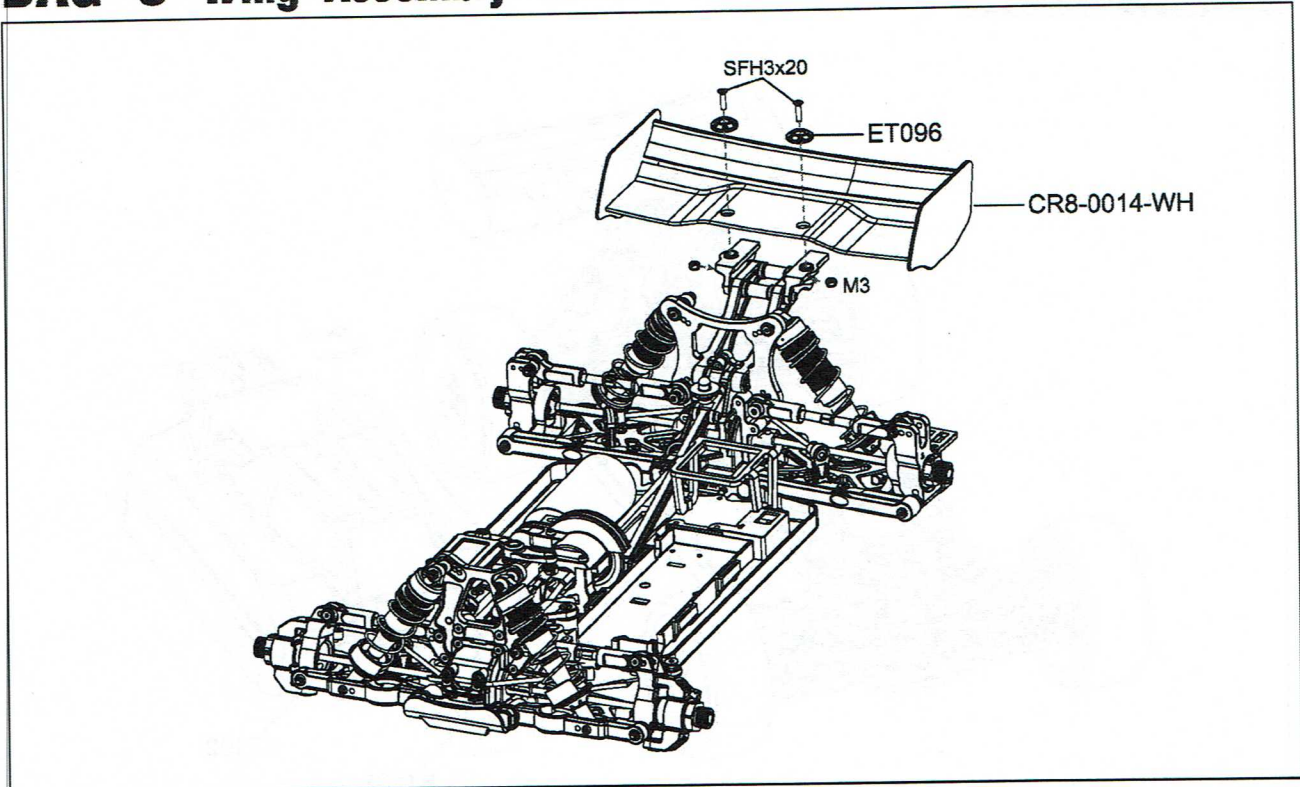
Must be purchased separately



Assemble as many times as specified

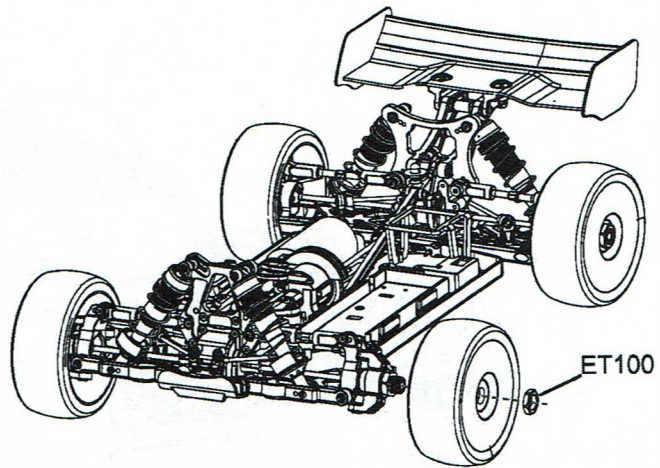
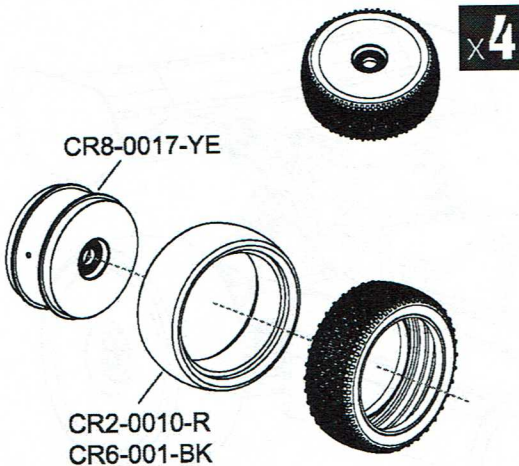


## BAG O Wing Assembly View



## BAG P Wheel And Body Assembly View

### Step 1 Tires & Wheels



Install the tire onto the wheel.  
Glue the tire to the wheel with instant glue in several spots around the tire on both sides



**Follow the adhesive instructions for proper use and safety.**  
**Wear eye and hand protection.**



Pay attention

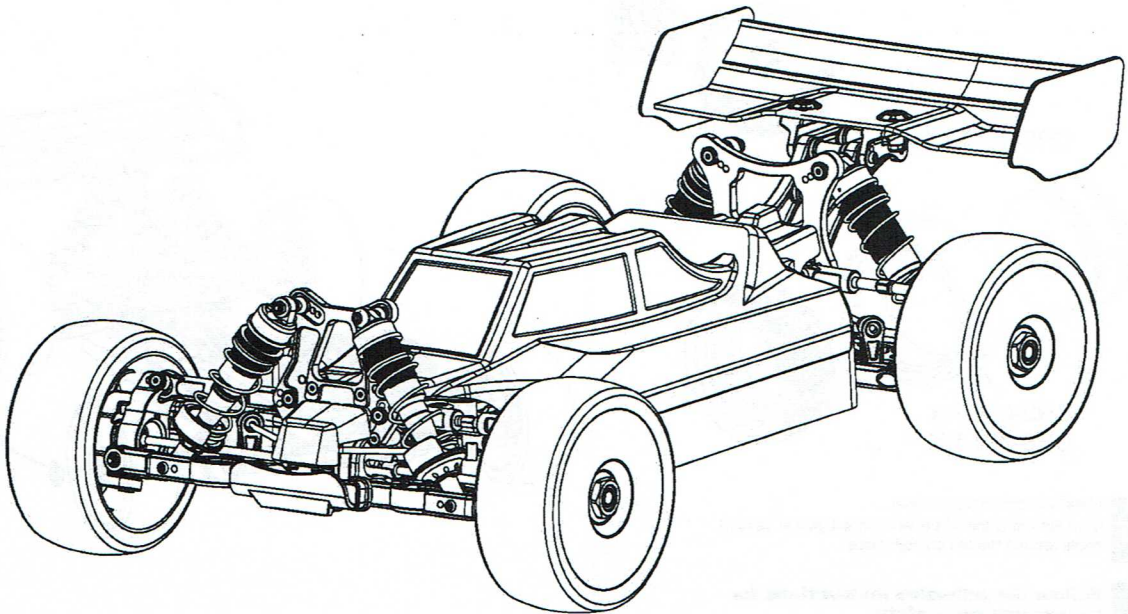
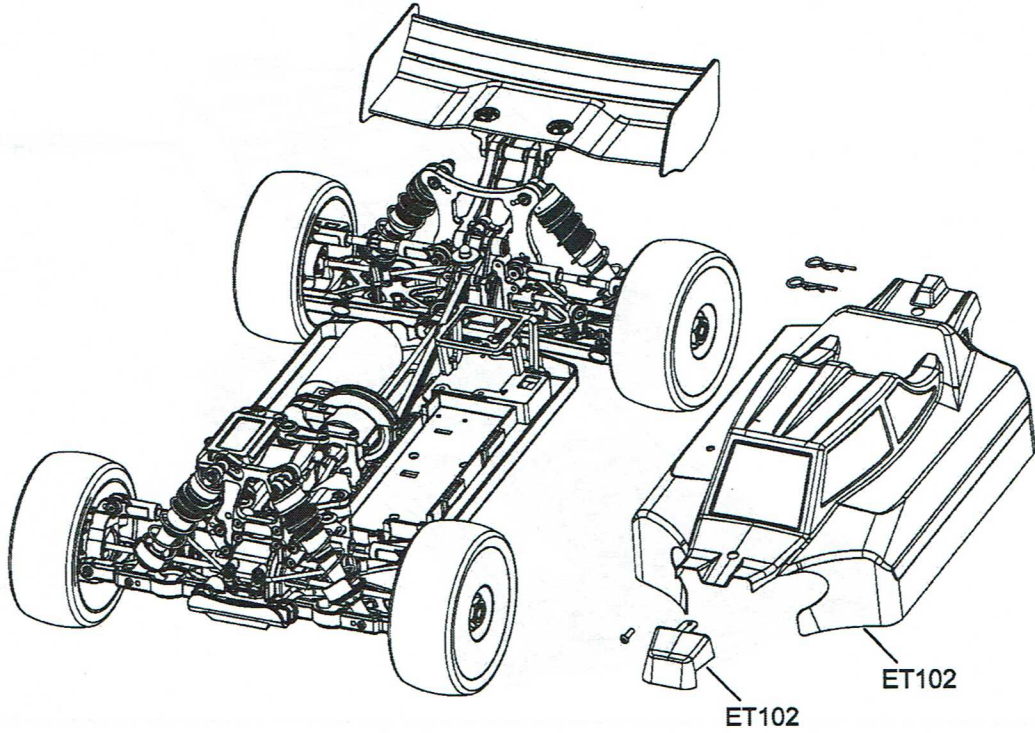


Hint



Assemble as many times as specified

**Step 2** Body





# SPARE PARTS

**ET001** Front Crown gear  
43T 6mm



**ET002** Rear Crown gear  
43T 6mm



**K8-0118** Truggy Steel Spur Gear  
46T 6mm



**K8-0063** Diff Bevel Gear  
10T



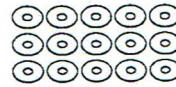
**K8-0062** Diff Bevel Gear  
20T



**K8-0080** Diff. Washer Large  
6mm



**K8-0081** Diff. Washer Small  
3mm



**K8-0078** Diff. O-Ring  
8.5 x 1.5mm



**K8-0092** Diff. Pin



**K8-0067** Diff. Bevel Gear Shaft



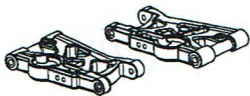
**ET011** Lightened Diff Outdrives



**ZX-0082** Diff. Gasket



**ET013** Front Arms



**ET014** Gearbox Hinge pins



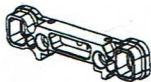
**ET015** Suspension Hinge Pin



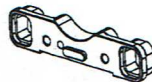
**ET016** Diff Bevel Gear  
13T



**ET017** Front Lower Suspension  
Arm Holder-F



**ET018** Front Lower Suspension  
Arm Holder-R



**ET019** Lightened Centre  
Outdrives Outdrives



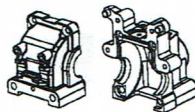
**ET020** Gear Diff Case



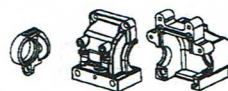
**ET021** Plastic Washer Set



**ET022** Front Gearbox



**ET023** Rear Gearbox

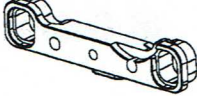

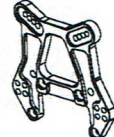

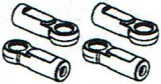
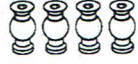











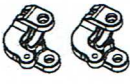

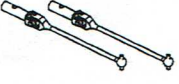






**ET024** Rear Arms











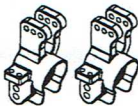
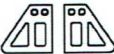




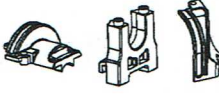
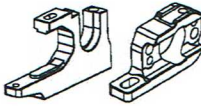


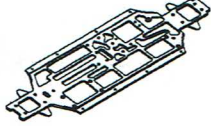

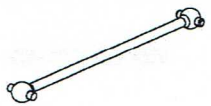
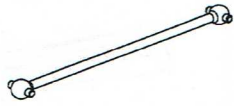




# SPARE PARTS


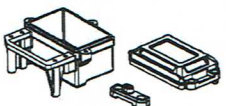




















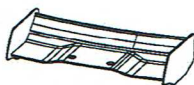

<p><b>ET025</b> Rear Lower Suspension Arm Holder-F</p> 	<p><b>ET026</b> Rear Lower Suspension Arm Holder-R</p> 	<p><b>ET027</b> Front Shock Tower</p> 	<p><b>ET028</b> Front Upper Adjustable Tumbuckle</p> 
<p><b>ET029</b> Front Adjustable Tumbuckle Arm Ball End</p> 	<p><b>ET030</b> Ball with Nut</p> 	<p><b>ET031</b> Ball for Upper Link</p> 	<p><b>ET032</b> Sway Bar Ball End</p> 
<p><b>ET033</b> Ball Stud For Sway Bar</p> 	<p><b>ET034</b> Ball For Sway Bar 6.8mm</p> 	<p><b>ET035</b> Front Sway Bar</p> 	<p><b>ET036</b> Sway Bar Plate</p> 
<p><b>ET037</b> Body mounts</p> 	<p><b>ET038</b> Front Support Plate</p> 	<p><b>ET039</b> Wheel Hub</p> 	<p><b>K8-0099</b> Wheel Hub Pin</p> 
<p><b>ET041</b> Knuckle Bushings</p> 	<p><b>ET042</b> Front Steering Knuckle</p> 	<p><b>ET043</b> Degree C-hub 10°</p> 	<p><b>ET044</b> Driveshaft Pair</p> 
<p><b>ET045</b> C-hub Hinge pins</p> 	<p><b>ET046</b> Balls for Steering Link 6mm</p> 	<p><b>F8T20-008</b> Servo Saver Spring</p> 	<p><b>ET048</b> Servo Saver Plastic parts</p> 



# SPARE PARTS






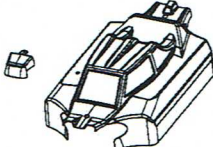






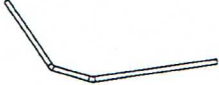









<p><b>ET049</b> Ackermann Plate Bushing</p> 	<p><b>ET050</b> Steering Linkage</p> 	<p><b>ET051</b> Steering Servo Saver Post</p> 	<p><b>ET052</b> Ball For Steering</p> 
<p><b>ET053</b> Steering Ball Cups</p> 	<p><b>ET054</b> Steering Turnbuckle</p> 	<p><b>ET055</b> Front Chassis Brace</p> 	<p><b>ET056</b> Rear Shock Tower</p> 
<p><b>ET057</b> Rear Hub</p> 	<p><b>ET058</b> Mud Scrape</p> 	<p><b>ET059</b> Rear Hingepin</p> 	<p><b>ET060</b> Wing Stay Set</p> 
<p><b>ET061</b> Rear Chassis Brace</p> 	<p><b>ET062</b> Rear Chassis Brace Holder</p> 	<p><b>ET063</b> Center Differential Cover</p> 	<p><b>ET064</b> Motor Mount</p> 
<p><b>ET065</b> Motor Gear 14T</p> 	<p><b>ET066</b> Side Guard</p> 	<p><b>ET067</b> Chassis</p> 	<p><b>ET068</b> Bumpers</p> 
<p><b>ET069</b> Center Front Drive Shaft</p> 	<p><b>ET070</b> Center Rear Drive Shaft</p> 	<p><b>ET071</b> ESC Mount Plate</p> 	<p><b>ET072</b> Magic Tape</p> 

# SPARE PARTS

<p><b>ET073</b> Servo Arm Futaba</p> 	<p><b>ET074</b> Receiver Box</p> 	<p><b>ET075</b> Servo Ball End</p> 	<p><b>ET076</b> Tumbuckle 3x35mm</p> 
<p><b>ET077</b> Front Shock Set</p> 	<p><b>ET078</b> Rear Shock Set</p> 	<p><b>K8-0009</b> Shock Shaft Front Lengthened</p> 	<p><b>BB-05-10</b> Shock Tapered Piston 1.2mm</p> 
<p><b>ET081</b> Aluminium Shock Cap</p> 	<p><b>ET082</b> Front Shock Body</p> 	<p><b>ET083</b> Shock Lower Cover</p> 	<p><b>ET084</b> Shock Lower Cover Bushing</p> 
<p><b>ET085</b> Shock Ball End</p> 	<p><b>ET086</b> Shock and Stabilizer Ball Bottom</p> 	<p><b>ET087</b> Spring Support</p> 	<p><b>ZX-0018</b> Shock Piston 2-hole 1.5mm</p> 
<p><b>BB-05-13</b> BB Shock Bladder</p> 	<p><b>BB-15-3</b> Threaded BB Shock O-ring Outsidies</p> 	<p><b>ET091</b> Shock Adjustment Nut</p> 	<p><b>ET092</b> Front Shock Spring</p> 
<p><b>K8-0010</b> Rear Shock Shaft</p> 	<p><b>ET094</b> Rear Shock Spring</p> 	<p><b>CR8-0014-WH</b> U-WIN Downforce White Wing</p> 	<p><b>ET096</b> Wing Shims</p> 



# SPARE PARTS

<p><b>ET097 Shock Bushing + O-ring</b></p> 	<p><b>ZX-0056 Shock Bushing</b></p> 	<p><b>ET099 Shock Bushing</b></p> 	<p><b>ET100 Wheel Nut</b></p> 
<p><b>ET101 Piston Washer</b></p> 	<p><b>ET102 Clear Body</b></p> 	<p><b>ET103 Short Steering Linkage Set</b></p> 	<p><b>CR2-0005 Washer M3</b></p> 
<p><b>ET104 Servo Saver Post + Nut</b></p> 	<p><b>ET105 Ball For Rear Upper Link</b></p> 	<p><b>ET106 Ball For Front/Rear Upper Links</b></p> 	<p><b>ET107 Rear Upper Adjustable Turnbuckle</b></p> 
<p><b>ET108 Rear Sway Bar 2.8</b></p> 	<p><b>ET109 Wire Slot</b></p> 	<p><b>ET110 Battery Box</b></p> 	<p><b>ET111 Washer 3x7x0.1mm</b></p> 
<p><b>ET112 Degree C-hub 15°</b></p> 	<p><b>ET113 Front Sway Bar 2.3</b></p> 	<p><b>ET114 Front Sway Bar 2.5</b></p> 	<p><b>CR8-0017-YE light Weight,bevel Locking Race Style Dish Rims YE</b></p> 
<p><b>CR2-0010-R Round Foam Tire Insert</b></p> 	<p><b>CR6-001-BK Black Racing Foam</b></p> 		

**CASTER**  
**FABRIK**