



Ride Height: _____
 Date: _____
 Track: _____
 Weather&Temp: _____
 Driver Mood: _____

Tight: Low Grip
 Medium: Medium Grip
 Track: High Grip
 Smooth: Dusty
 Rough: Blue Groove

B21.2

SET-UP SHEET

FRONT REAR

SUSPENSION

Ride Height		
Downtravel With Tyres		
Swaybar		
Brake Balance	%	%
Camber	Length: mm	Length: mm
	Degree: mm	Degree: mm
Steering Link/ Front Toe	Length: mm	
	Degree: mm	

SHOCKS

Oil wt/Brand		
Piston		
Spring		
Length	Preload: mm	Preload: mm
	Total: mm	Total: mm
Rebound		

TYRES

Tread/Brand		
Compound		
Insert		
Wheel		
Tyre Set Weight		g

FRONT CENTER REAR

DIFFS

Oil wt/Brand		
Gear ratio (main/pinion)		

Car Weight	
Motor	
ESC	
Battery	

Best Lapt ime

Runtime

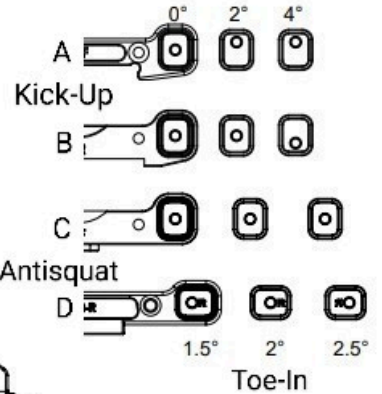
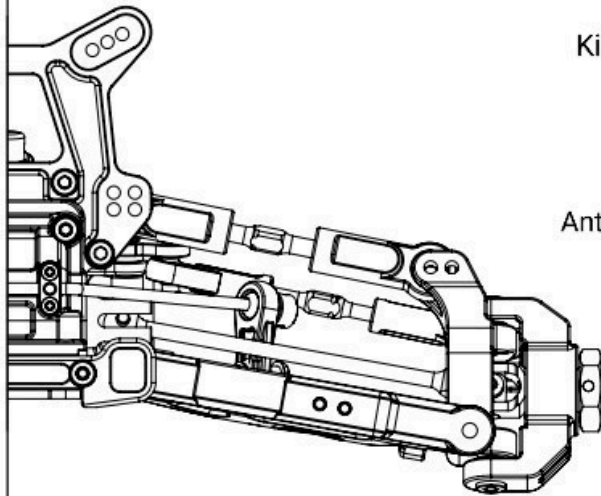
Best result

Qualifying Position

Final Position

FRONT

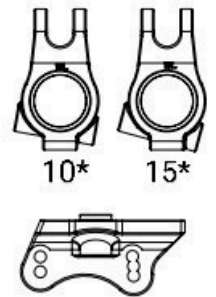
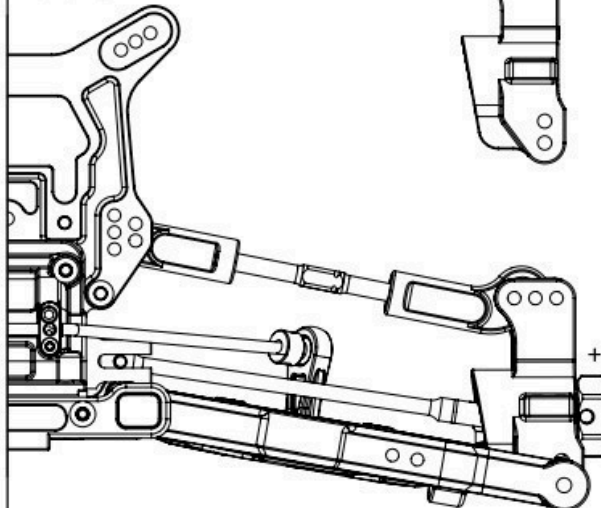
Part ETO



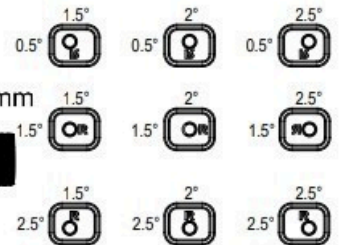
+2mm

REAR

Part ETO



R-R



+2mm

NOTES

