

DATE / /

DRIVER NAME

TRACK

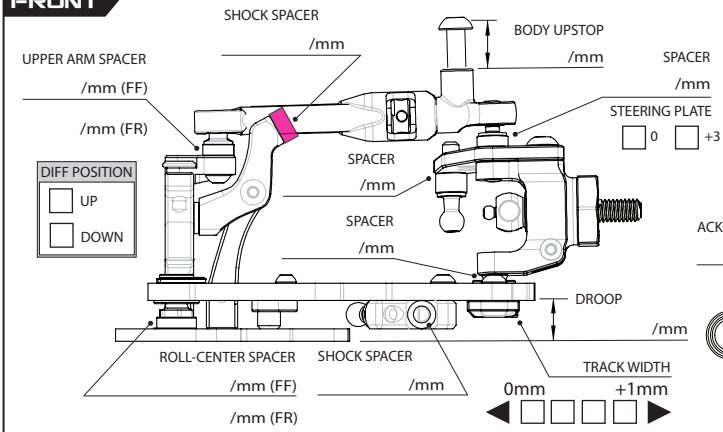
CONDITION CARPET ASPHALT

TRACTION HIGH LOW

TEMP °C AIR TRACK

EVENT BEST LAP TIME QUALIFYING POSITION FINAL POSITION

FRONT



FRONT DIFF DIFF # /CST

WHEEL HUB 4.0mm 5.0mm

WHEEL SPACER /mm

ACKERMANN SPACER /mm

CENTER PLATE (8.0) (8.5)

STEERING SPACER /mm

RIDE HEIGHT /mm

CAMBER /mm

CASTER 4° 5°

SWAY BAR 1.3 1.4

TOE ANGLE /mm

SHOCK ABSORBER

OIL /CST

LENGTH /mm

REBOUND %

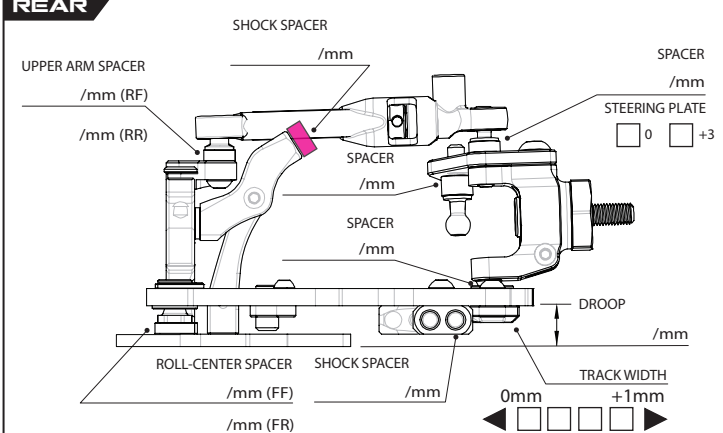
SPRING 2.5 2.6 2.7

OTHERS

ABSORBER MEMBRANCE

PISTON 3 HOLES 4 HOLES

REAR



WHEEL HUB 4.0mm 5.0mm

WHEEL SPACER /mm

ANTI-ROLL BAR POSITION INNER OUTER

REAR LINK POSITION

RIDE HEIGHT /mm

CAMBER /mm

CASTER 5° 4°

SWAY BAR 1.2 1.3

TOE ANGLE /mm

SHOCK ABSORBER

OIL /CST

LENGTH /mm

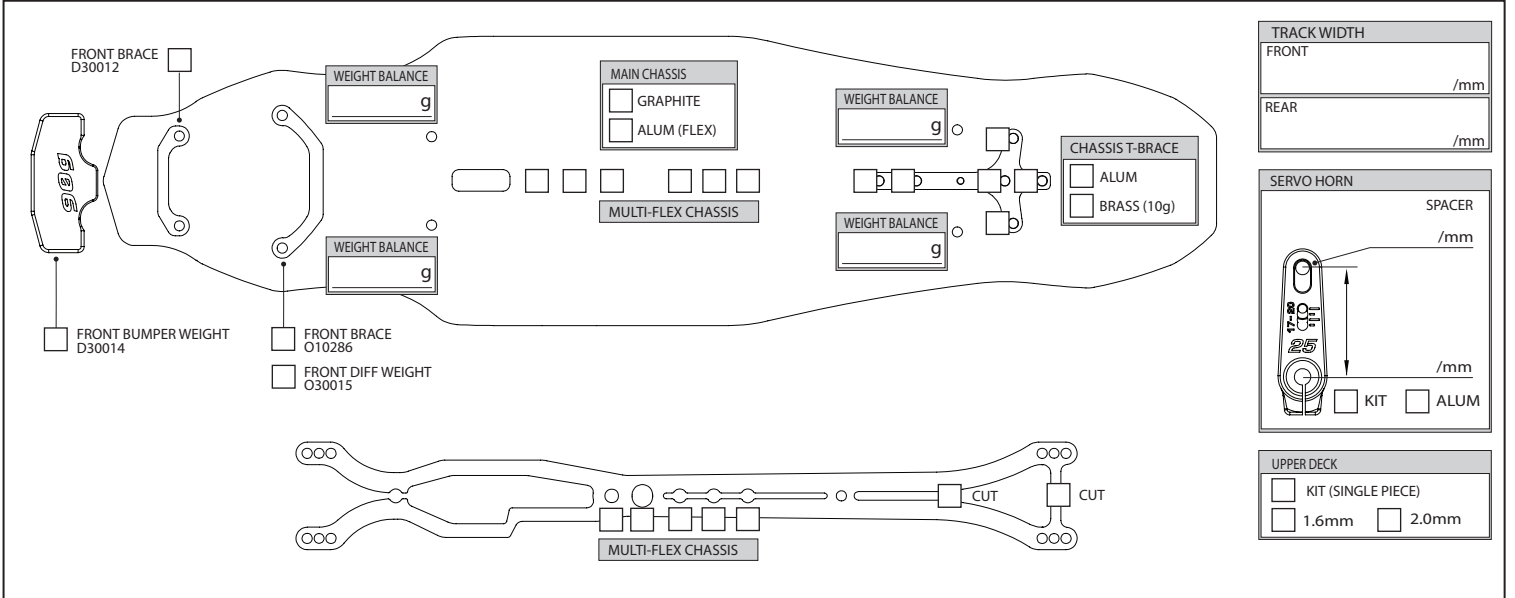
REBOUND %

SPRING スプリング 2.5 2.6 2.7

OTHERS

ABSORBER MEMBRANCE

PISTON 3 HOLES 4 HOLES



TIRE SETTING

FRONT	REAR
TIRE	TIRE
INSERT	INSERT
WHEEL	WHEEL
ADDITIVE	ADDITIVE
ADDITIVE TIME /MINS	ADDITIVE TIME /MINS

MOTOR TURNS

ROTOR /mm

MOTOR TIMING

PINON GEAR T SPUR GEAR T FINAL RATIO

ESC SETUP

BATTERY SHORTY BODY TOTAL WEIGHT /g

NOTE