

TEAM GFRP

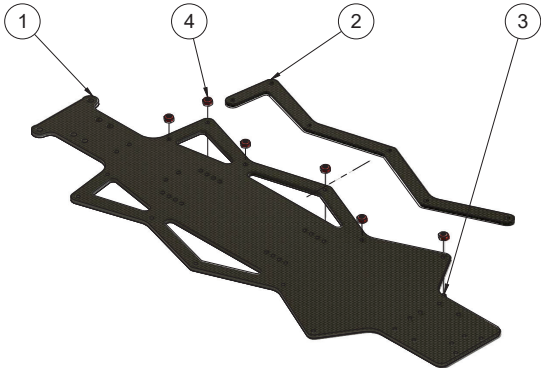
APOLLO

READY TO LAUNCH



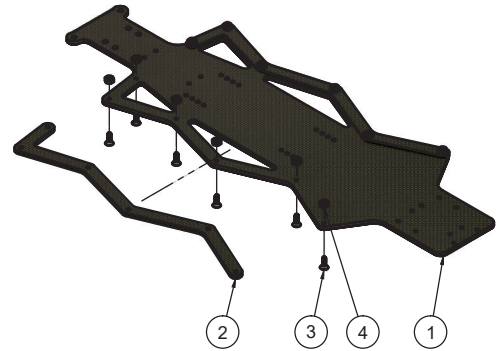
STEP 1 BAG A

Item	Part Number
1	GFR 8100 Apollo Chassis
2	GFR 8104 Chassis Stiffner
3	GFR 6408 4-40x 3/8 FHS
4	GFR 6009 4-40 locknut



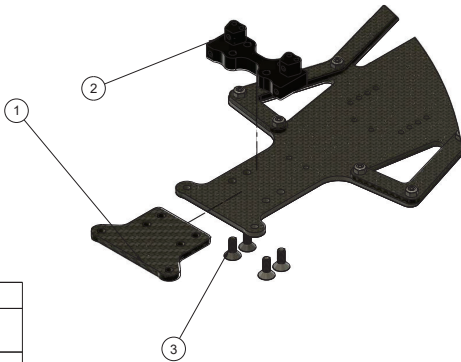
STEP 2

Item	Part Number
1	GFR 8100 Apollo Chassis
2	GFR 8104 Chassis Stiffner
3	GFR 6408 4-40x 3/8 FHS
4	GFR 6009 4-40 locknut



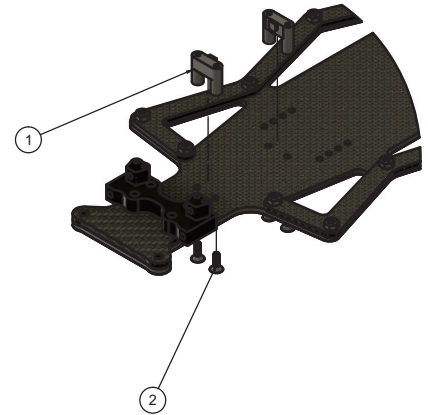
STEP 3

Item	Part Number
1	GFR 8119 Bulkhead Riser
2	GFR 1114 Front Bulkhead
3	GFR 6419 8-32x 7/16 FHS



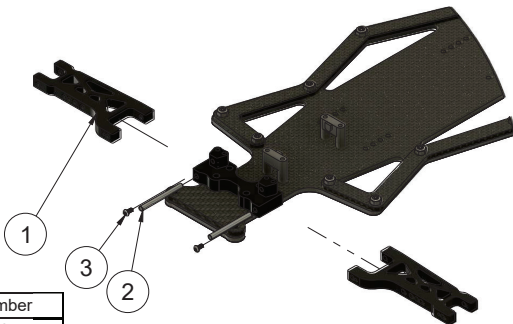
STEP 4

Item	Part Number
1	GFR 8107 Servo Mounts
2	GFR 6408 4-40x 3/8 FHS



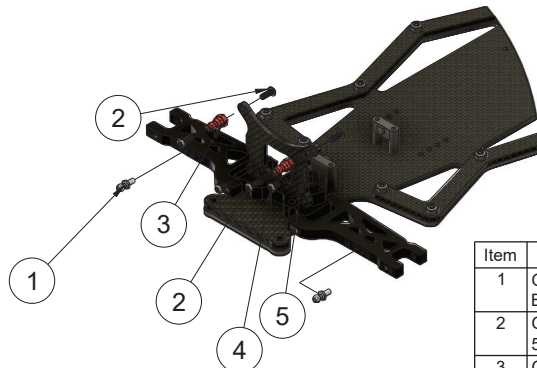
STEP 5

Item	Part Number
1	GFR 1228 Hex Style Front Arm
2	GFR 2044 pin
3	GFR 6435 2-56x3/16 BHS

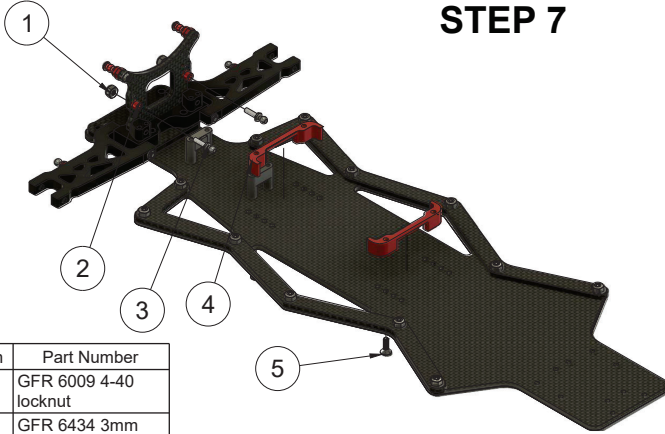


STEP 6

Item	Part Number
1	GFR 1280 Short Ball Stud
2	GFR 6405 4-40x 5/16 BHS
3	GFR 1291 1/4" Shock Standoff
4	GFR 6402 4-40x3/16 BHS
5	GFR 8101 Apollo Fr Shock Tower

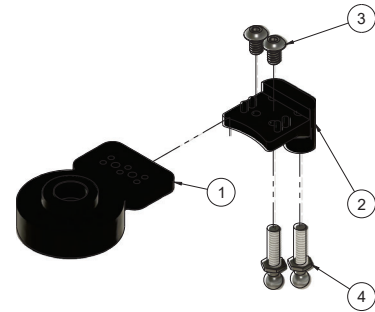


STEP 7



Item	Part Number
1	GFR 6009 4-40 locknut
2	GFR 6434 3mm Spacer
3	GFR 1281 Long Ball Stud
4	GFR 1236 Alum Battery Locator
5	GFR 6408 4-40x 3/8 FHS

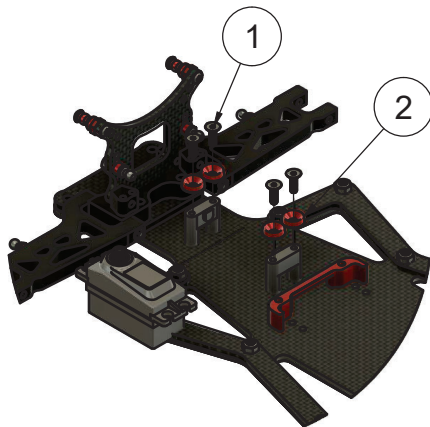
STEP 8



Item	Part Number
1	GFR 8105 Servo Saver
2	GFR 8106 Servo Saver Extension
3	GFR 6402 4-40x3/16 BHS
4	GFR 1281 Long Ball Stud

INSTALL ON SERVO BALLSTUDS
 FACING DOWN. SERVO SCREW NOT SUPPLIED

STEP 9

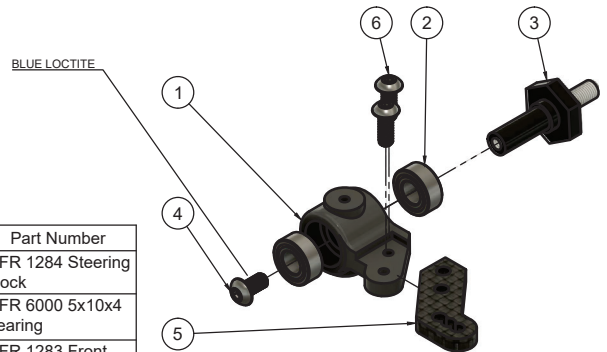


Item	Part Number
1	GFR 1228 Hex Style Front Arm
2	GFR 1244 1.5 pin

SERVO NOT INCLUDED

STEP 10

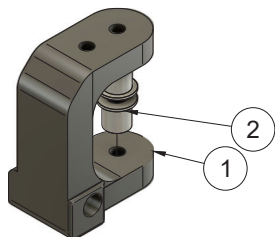
BAG B



Item	Part Number
1	GFR 1284 Steering Block
2	GFR 6000 5x10x4 Bearing
3	GFR 1283 Front Axle Hex
4	GFR 6424 3x6mm BHS
5	GFR 8108 Steering Arm Ext
6	GFR 6405 4-40 x 5/16 BHS

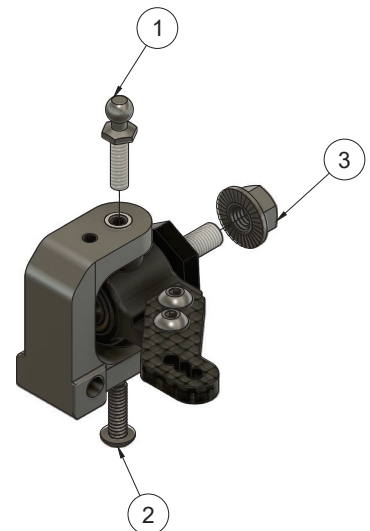
REPEAT STEP FOR LEFT FRONT

STEP 11



Item	Part Number
1	GFR 1285 RF Caster Block
2	GFR 1286 Caster Block Bushing

STEP 12



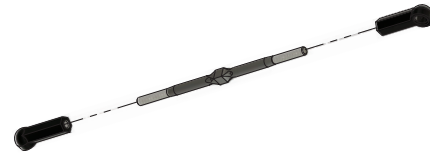
Item	Part Number
1	GFR 1281 Long Ball Studs
2	GFR 6407 4-40 x 3/8 BHS
3	GFR 1265 M4 Wheel Nut

STEP 13



Item	Part Number
1	GFR 1221 Front Out Hing Pin
2	GFR 6435 2-56x3/16 BHS

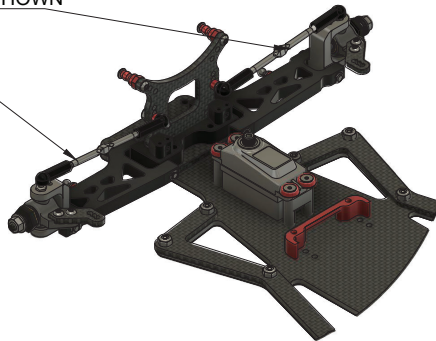
STEP 14



BUILD 4 IDENTICAL LINKS

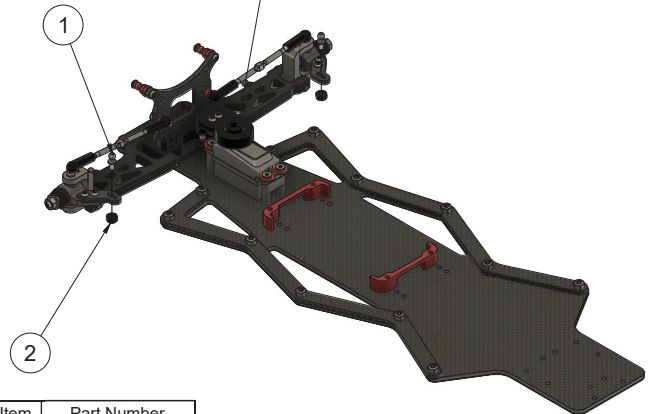
STEP 15

INSTALL CAMBER LINKS AS SHOWN



STEP 16

INSTALL SERVO SAVER



Item	Part Number
1	GFR 1280 Short Ball Stud
2	GFR 6009 4-40 Locknut

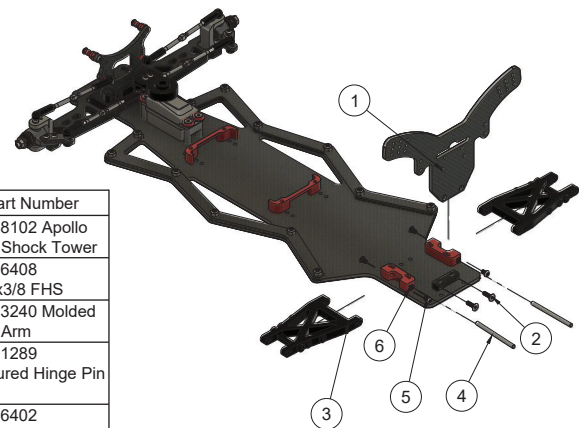
STEP 17 BAG C



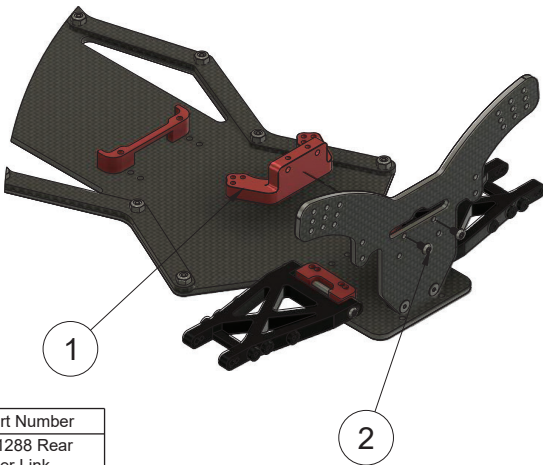
Item	Part Number
1	GFR 1066 1/3 Rear Arm Mount
2	GFR 1069 Tower Block
3	GFR 6408 4-40x3/8 FHS

STEP 18

Item	Part Number
1	GFR 8102 Apollo Rear Shock Tower
2	GFR 6408 4-40x3/8 FHS
3	GFR 3240 Molded Rear Arm
4	GFR 1289 Captured Hinge Pin 1.75
5	GFR 6402 4-40x3/16 BHS
6	GFR 6430 .040 x 1/8" Spacer

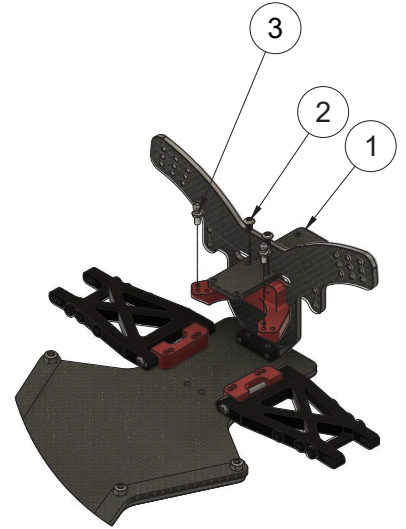


STEP 19



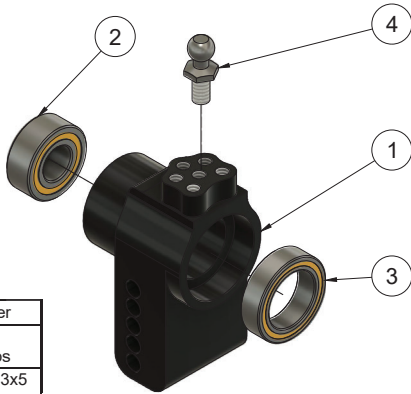
Item	Part Number
1	GFR 1288 Rear Camber Link Mount
2	GFR 6402 4-40x3/16 BHS

STEP 20



Item	Part Number
1	GFR 8103 Apollo Trans Brace
2	GFR 6402 4-40x3/16 BHS
3	GFR 1280 Short Ball Stud

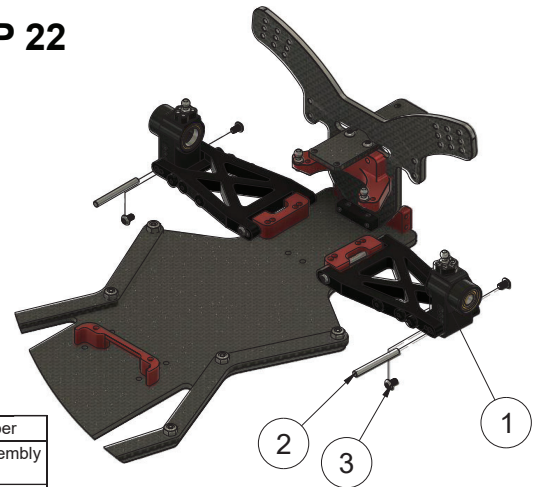
STEP 21



Item	Part Number
1	GFR 8109 Aluminum Hubs
2	GFR 6002 6x13x5 Bearing
3	GFR 6001 10x15x4 Bearing
4	GFR 1280 Short Ball Stud

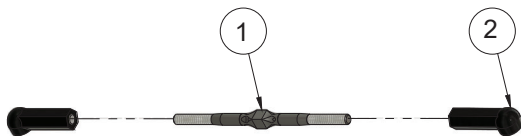
THIS WILL BE DONE FOR BOTH SIDES

STEP 22



Item	Part Number
1	Rear hub assembly
2	GFR 1290 Captured Hinge Pin 1.15
3	GFR 6402 4-40x3/16 BHS

STEP 23



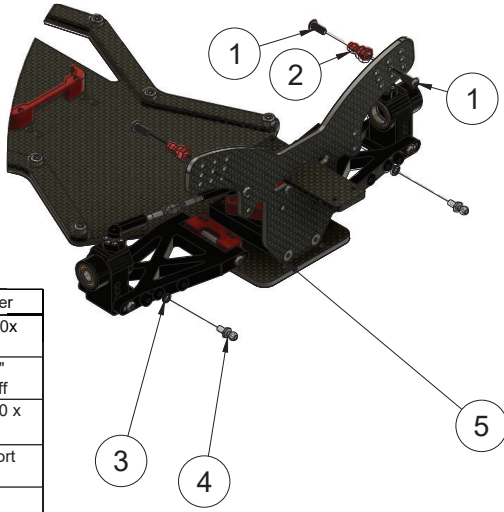
BUILD 2 IDENTICAL LINKS

Item	Part Number
1	GFR 1278 2.25 Turnbuckle
2	GFR 1211 Ball Cup

STEP 24

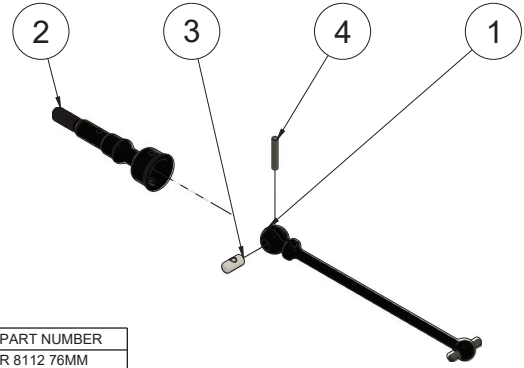


STEP 25



Item	Part Number
1	GFR 6405 4-40x 5/16 BHS
2	GFR 1291 1/4" Shock Standoff
3	GFR 6430 .040 x 1/8" Spacer
4	GFR 1280 Short Ball Stud
5	GFR 6408 4-40x3/8 FHS

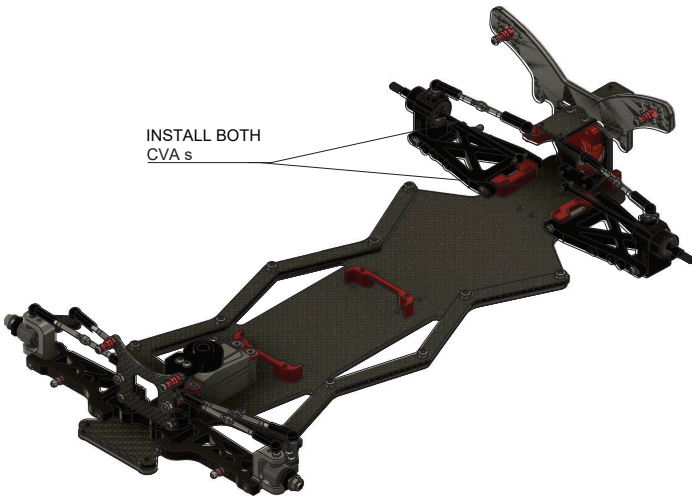
STEP 26 BAG D



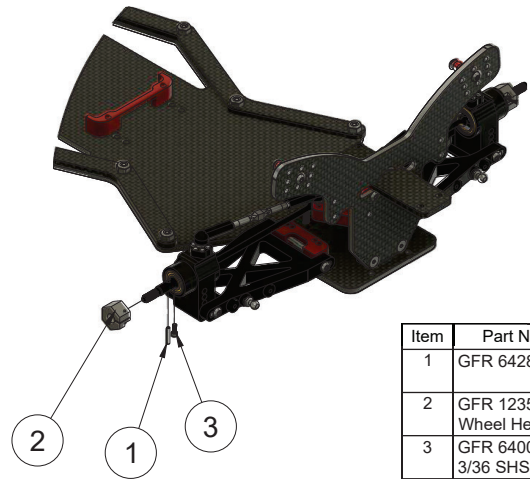
ITEM	PART NUMBER
1	GFR 8112 76MM DOGBONE
2	GFR 1230 RUBBER TIRE REAR AXLE
3	GFR 1134 CVA SWIVEL INSERT
4	GFR 6429 SOLID PIN

BUILD 2 IDENTICAL

STEP 27

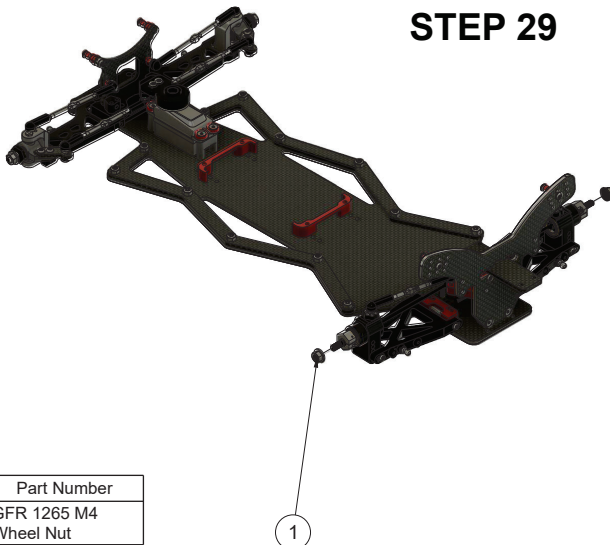


STEP 28



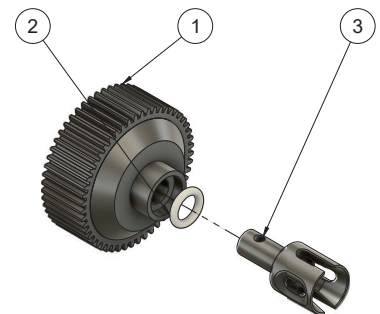
Item	Part Number
1	GFR 6428 Roll Pin
2	GFR 1235 7mm Wheel Hex
3	GFR 6400 1-72 x 3/36 SHS

STEP 29



Item	Part Number
1	GFR 1265 M4 Wheel Nut

STEP 30 BAG E

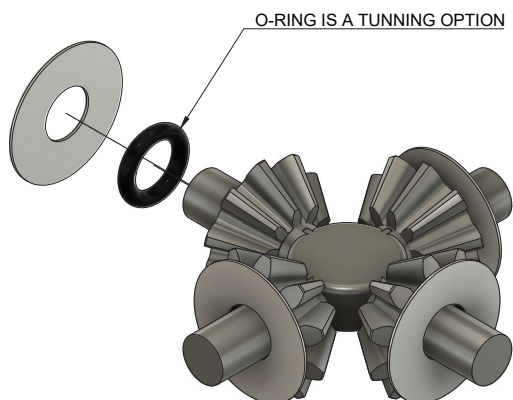


Item	Part Number
1	GFR 2040 Diff Housing
2	Outdrive Oring
3	GFR 2042 Outdrives

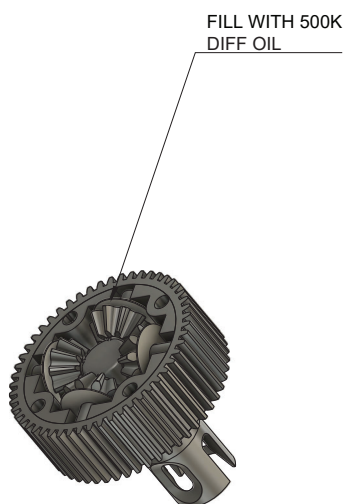
STEP 31



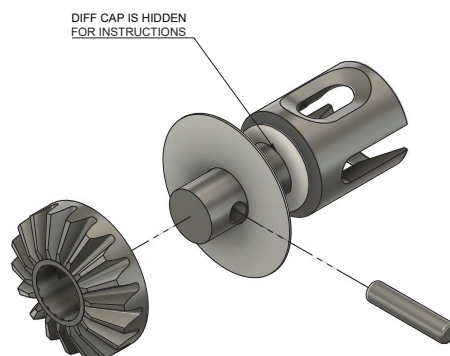
STEP 32



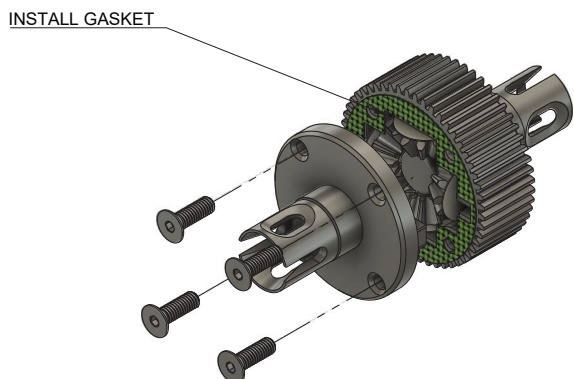
STEP 33



STEP 34

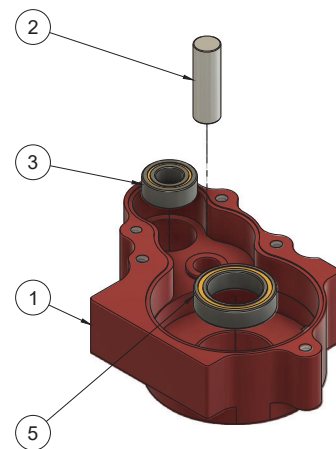


STEP 35

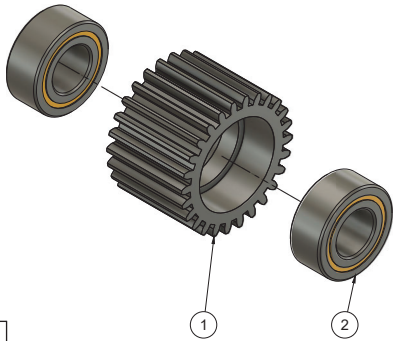


STEP 36

Item	Part Number
1	GFR 1187R Aluminum Trans Case
2	GFR 1180 Idler Shaft
3	GFR 6000 5x10x4 Bearing
4	GFR 1182 Top Shaft
5	GFR 6001 10x15x4 Bearing

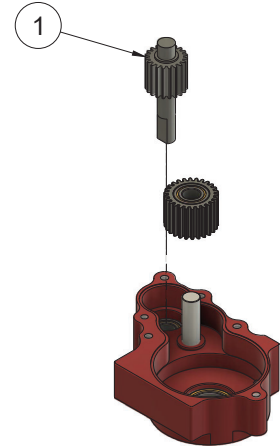


STEP 37



Item	Part Number
1	GFR 1186 Steel Idler Gear
2	GFR 6000 5x10x4 Bearing

STEP 38

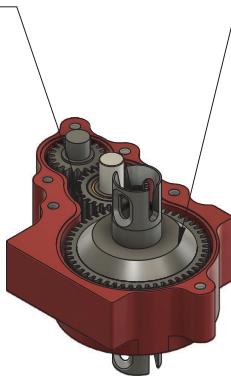


Item	Qty	Part Number
1	1	GFR 1182 Top Shaft

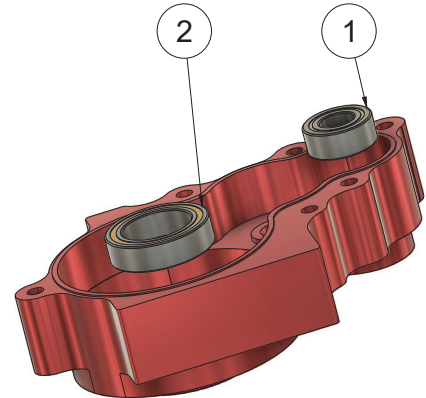
STEP 39

COAT GEARS WITH GREASE

INSTALL DIFF ASSEMBLY



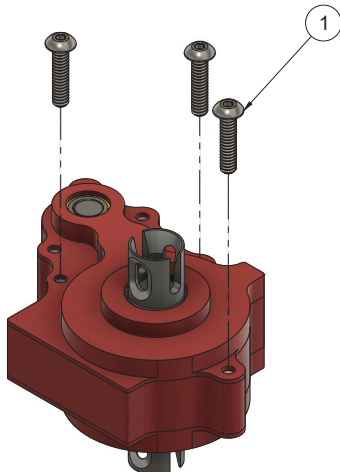
STEP 40



ITEM	PART NUMBER
1	GFR 6000 5X10X4 BEARING
2	GFR 6001 10X15X4 BEARING

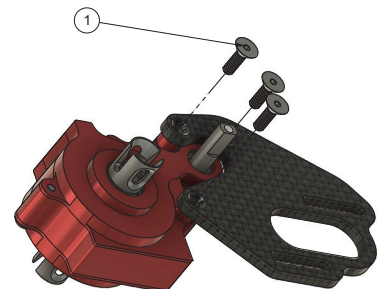
STEP 41

Item	Part Number
1	GFR 6409 4-40x1/2 BHS

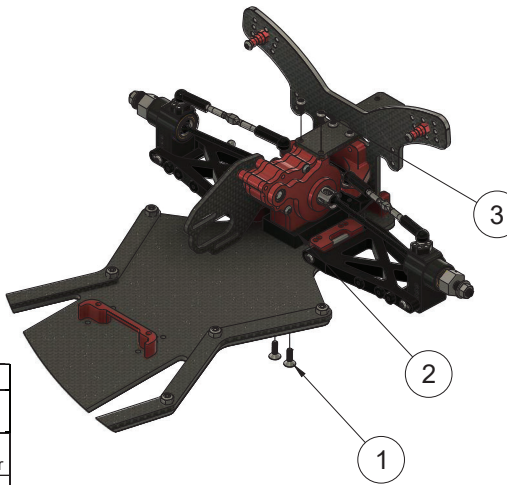


STEP 42

Item	Part Number
1	GFR 6408 4-40x3/8 FHS

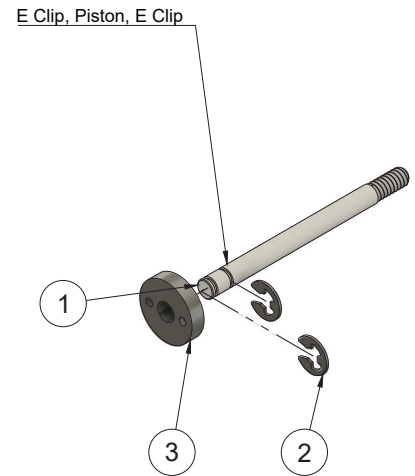


STEP 43



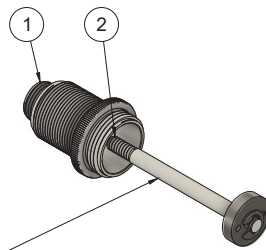
Item	Part Number
1	GFR 6408 4-40x3/8 FHS
2	GFR 8113 Std Transmission Riser
3	GFR 6402 4-40x3/16 BHS

STEP 44 BAG F



Item	Part Number
1	GFR 4066 Short Shock Shaft
2	GFR 6007 E-Clip
3	GFR 4069 SB IRS Shock Piston

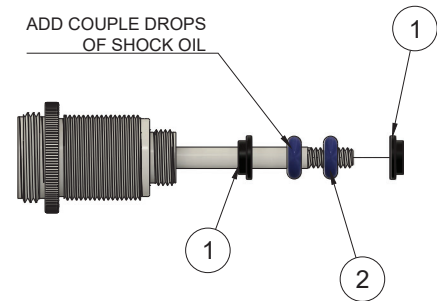
STEP 45



INSTALL COMPLETED SHOCK
SHAFT INTO SHOCK BODY

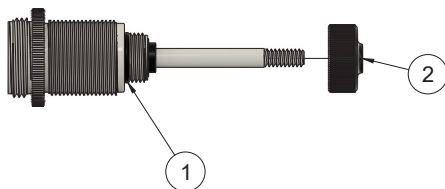
Item	Part Number
1	GFR 4100 Small Bore Shrt Shk Body
2	Short Shock Shaft Assembly

STEP 46



Item	Part Number
1	GFR 4085 SB Shock Guide
2	GFR 4071 Shock Shaft O Rings

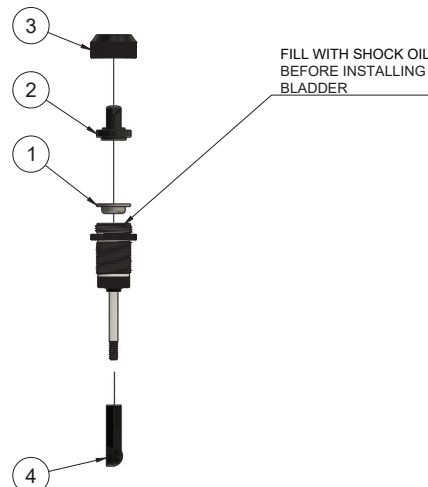
STEP 47



Item	Part Number
1	GFR 6441 0.75x4.5 Oring
2	GFR 4086 SB Shock Bottom Cap

STEP 48

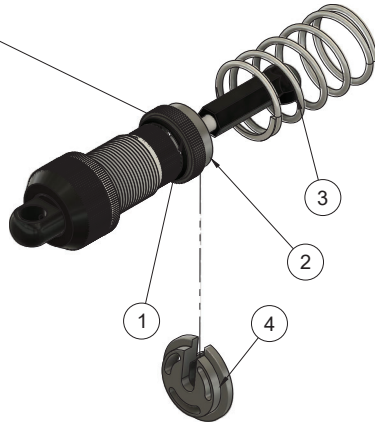
REPEAT STEPS 44-48



Item	Part Number
1	GFR 4068 SB Shock Bladder
2	GFR 4063 2pc Shock Cap
3	GFR 4063 2pc Shock Cap Nut
4	GFR 1211 Ball Cup

STEP 49

INSTALL ORING IN COLLAR BEFORE
 THREADING ON SHOCK BODY



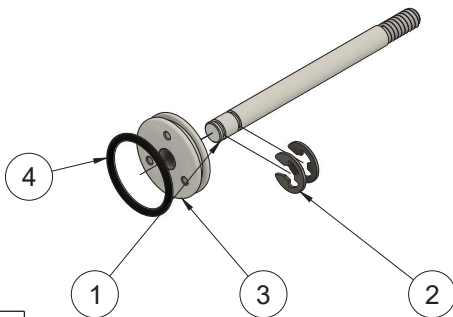
Item	Part Number
1	GFR 6442 1X12 Oring
2	GFR 4064 SB Shock Adjuster Collar
3	GFR 1211 Ball Cup
4	GFR 4067 SB Shock Spring Retainer

STEP 50

INSTALL BOTH FRONT SHOCKS



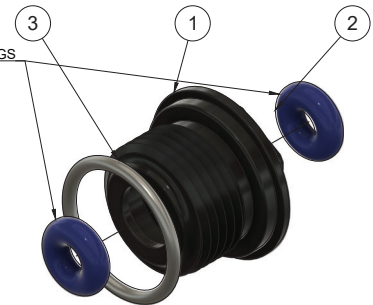
STEP 51



Item	Part Number
1	GFR 4151 bb Short Shock Shaft
2	GFR 6007 E-Clip
3	GFR 4152 BB 3 Hole Shock Piston
4	GFR 6442 1X12 Oring

STEP 52

APPLY SHOCK OIL TO BLUE ORINGS

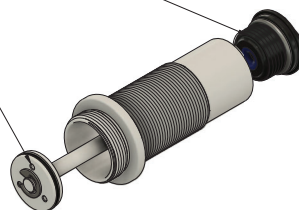


Item	Part Number
1	GFR 4157 BB Shock Cap Bottom
2	GFR 4071 Shock Shaft O Rings
3	GFR 6443 1 x 9.5 Oring

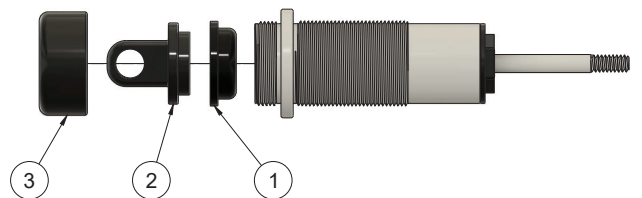
STEP 53

INSTALL SHOCK BOTTOM FIRST

CAFULLY SLIDE THREADED END OF
 SHOCK SHAFT THROUGH THE SHOCK BOTTOM



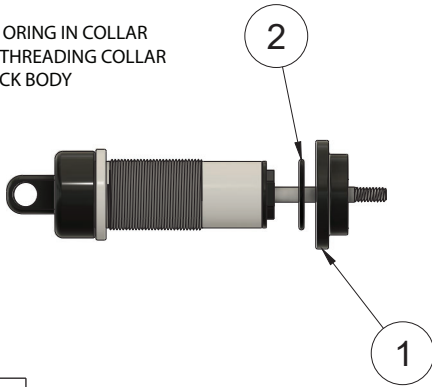
STEP 54



Item	Part Number
1	GFR 4160 BB Shock Bladder
2	GFR 4159 2pc BB Shock Eylet
3	GFR 4159 2pc BB Shock Cap

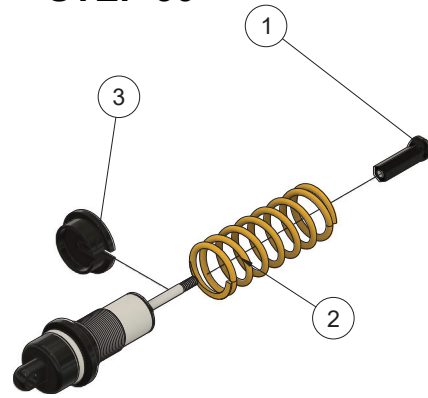
STEP 55

INSTALL ORING IN COLLAR BEFORE THREADING COLLAR ON SHOCK BODY



Item	Part Number
1	GFR 4156 Shock Adjuster Collar
2	GFR 1644 1x14 Oring

STEP 56



RAISED SPRING BUCKET IS TO BE INSTALLED AFTER THE SPRING

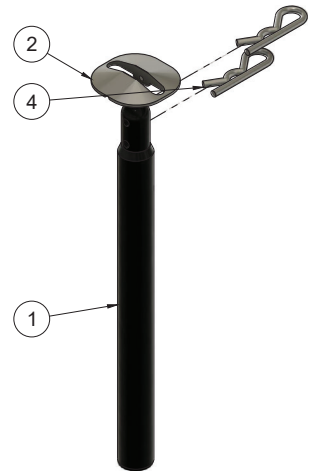
Item	Part Number
1	GFR 1211 Ball Cup
2	GFR 1546YE Yellow BB Shock Spring
3	GFR 4157 BB Raised Spring Bucket

STEP 57

INSTALL REAR SHOCKS



STEP 58 BAG G



Item	Part Number
1	3" Body Post
2	GFR 1264 Body Post Seat
3	Delete
4	GFR 6440 BodyClip

BUILD ALL 4 BODY POST THE SAME

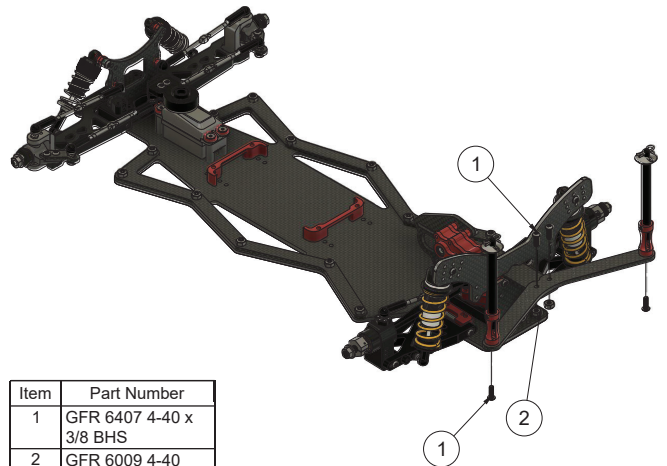
STEP 59

THE 2-3.5" POST WILL BE FOR THE FRONT
 THE 2-3" POST WILL BE FOR THE REAR



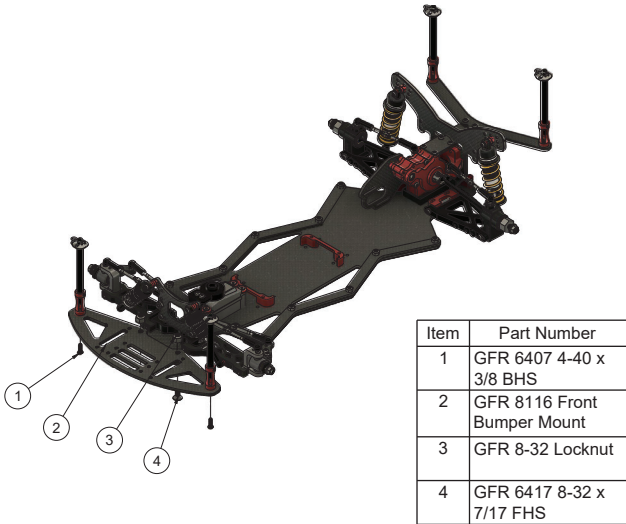
Item	Part Number
1	GFR 6401 4-40 Set Screw
2	GFR 1017 Body Post Holder

STEP 60



Item	Part Number
1	GFR 6407 4-40 x 3/8 BHS
2	GFR 6009 4-40 locknut

STEP 61



Item	Part Number
1	GFR 6407 4-40 x 3/8 BHS
2	GFR 8116 Front Bumper Mount
3	GFR 8-32 Locknut
4	GFR 6417 8-32 x 7/17 FHS

