

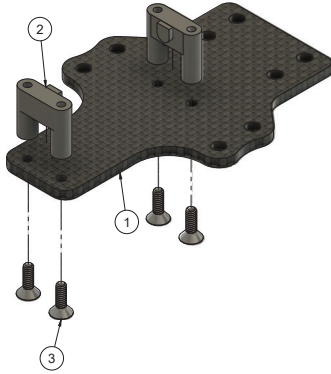


2023 Apollo Car Kit

GFR-8001

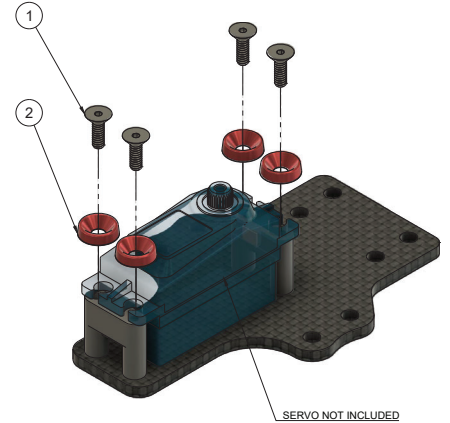


STEP 1 Bag A



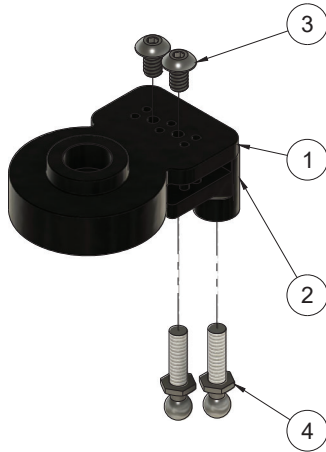
Item	Part Number
1	GFR 8136S FWD Servo Mount
2	GFR 8107 Servo Mounts
3	GFR 6408 4-40x 3/8 FHS

STEP 2



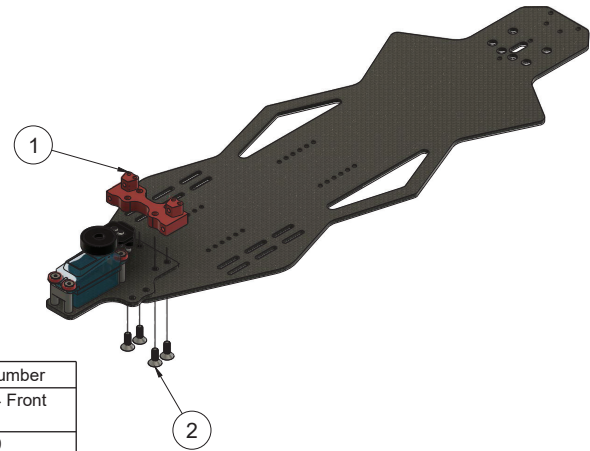
Item	Part Number
1	GFR 6408 4-40x 3/8 FHS
2	GFR 6422 Countersunk Washer

STEP 3



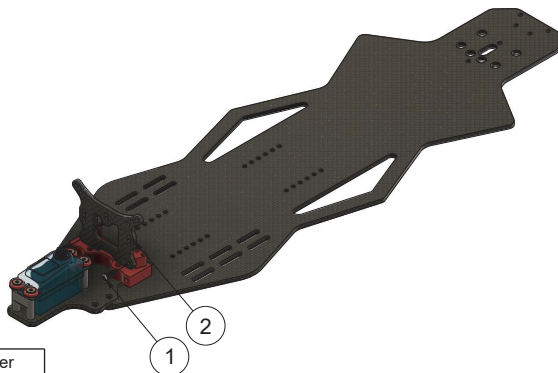
Item	Part Number
1	GFR 6402 4-40x3/16 BHS
2	GFR 6009 4-40 locknut
3	GFR 1291 1/4" Shock Standoff
4	GFR 1281 Long Ball Stud

STEP 4



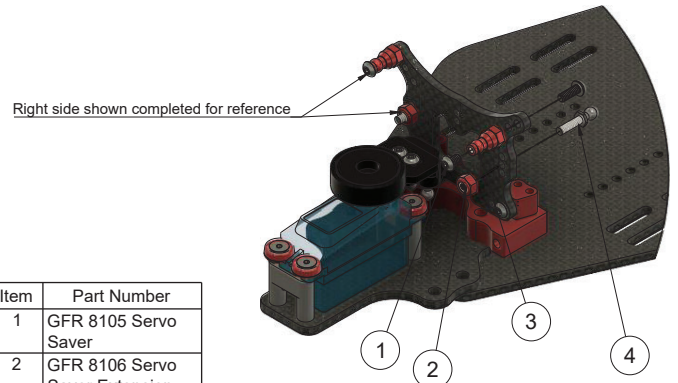
Item	Part Number
1	GFR 1114 Front Bulkhead
2	GFR 6419 8-32x7/16 FHS

STEP 5



Item	Part Number
1	GFR 6405 4-40 x 5/16 BHS
2	GFR 8101 Apollo Fr Shock Tower

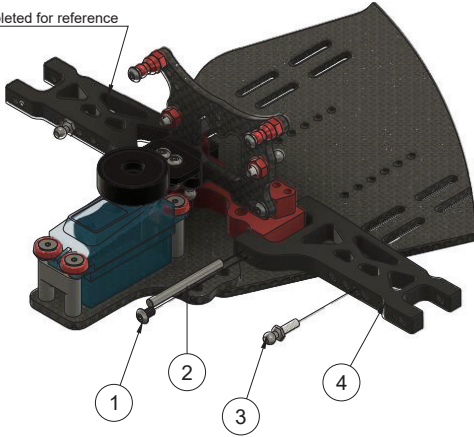
STEP 6



Item	Part Number
1	GFR 8105 Servo Saver
2	GFR 8106 Servo Saver Extension
3	GFR 6402 4-40x3/16 BHS
4	GFR 1281 Long Ball Stud

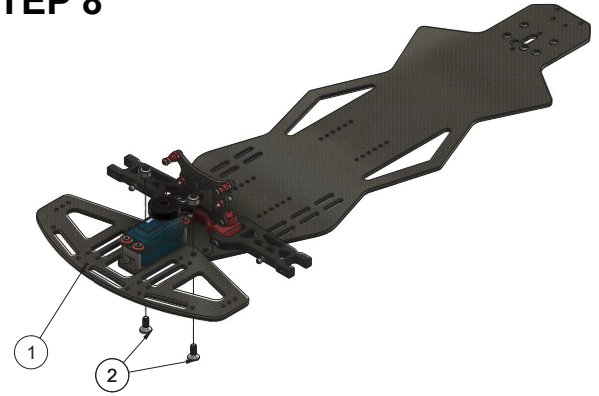
STEP 7

Right side shown completed for reference



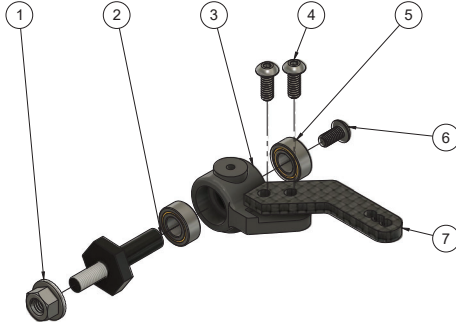
Item	Part Number
1	GFR 6402 4-40x3/16 BHS
2	GFR 2044 Cap FR Inner Hinge pin
3	GFR 1279 Medium Ball Stud
4	GFR 1341 Hex Style Front Arm

STEP 8



Item	Part Number
1	GFR 8136B FWD Mount Bumper
2	GFR 6419 8-32x7/16 FHS

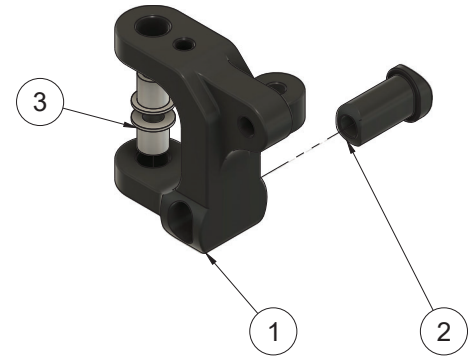
STEP 9 Bag B



Item	Part Number
1	GFR 1265 M4 Wheel Nut
2	GFR 1283 Front Axle Hex
3	GFR 1284 Steering Block LF
4	GFR 6405 4-40 x 5/16 BHS
5	GFR 6000 5x10x4 Bearing
6	GFR 6424 3x6mm BHS
7	GFR 8137 Long Steering Arm Ext

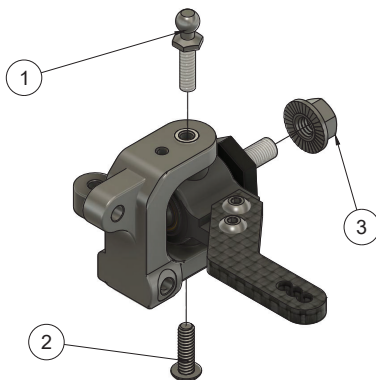
REPEAT STEP FOR LEFT FRONT

STEP 10



Item	Part Number
1	2022 LF Caster Block
2	0 Deg Insert
3	GFR 1286 Caster Block Bushing

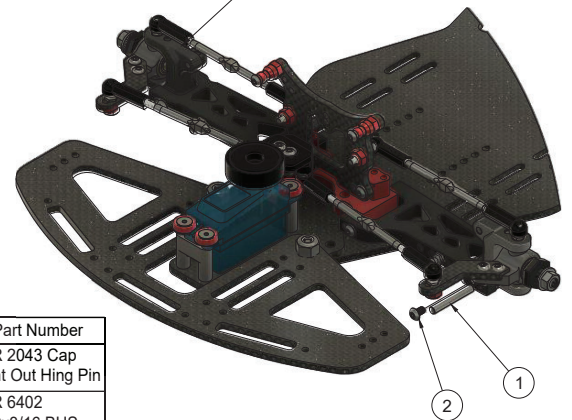
STEP 11



Item	Part Number
1	GFR 1281 Long Ball Studs
2	GFR 6407 4-40 x 3/8 BHS
3	GFR 1265 M4 Wheel Nut

STEP 12

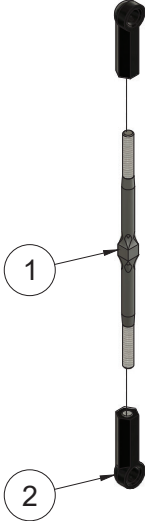
RIGHT SIDE SHOWN COMPLETE



Item	Part Number
1	GFR 2043 Cap Front Out Hing Pin
2	GFR 6402 4-40x3/16 BHS

Build all four

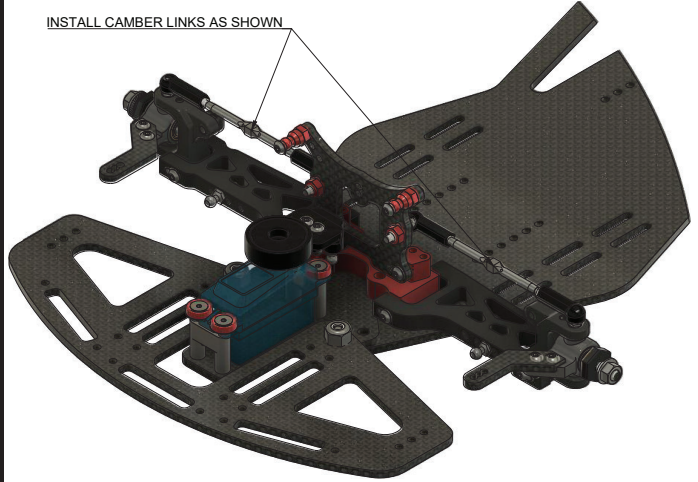
STEP 13



Item	Part Number
1	GFR 1263 2.75 Turnbuckle
2	GFR 1211 Ball Cup

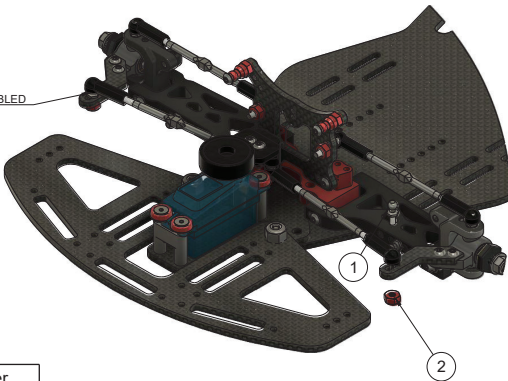
STEP 14

INSTALL CAMBER LINKS AS SHOWN



STEP 15

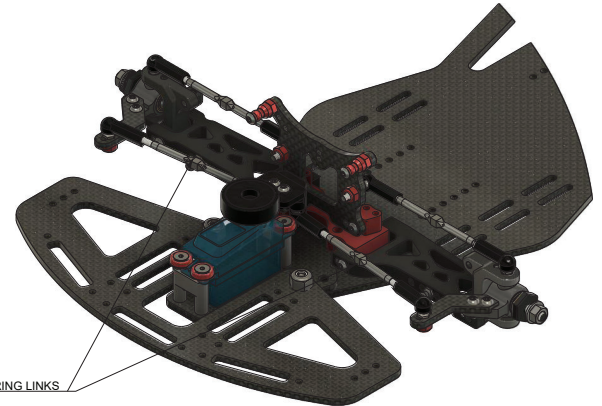
SHOWN ASSEMBLED



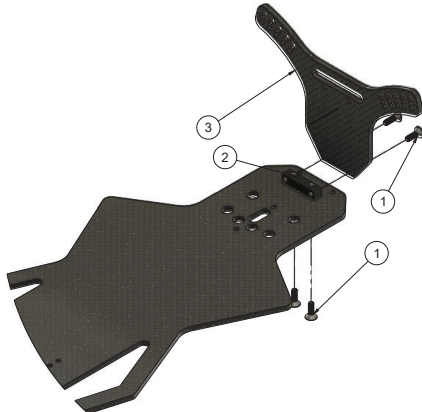
Item	Part Number
1	GFR 1280 Short Ball Stud
2	GFR 6009 4-40 Locknut

STEP 16

INSTALL BOTH STEERING LINKS

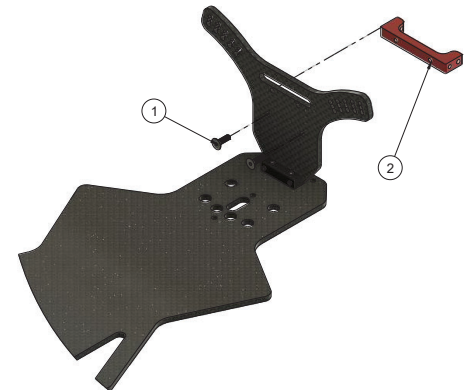


STEP 17 Bag C



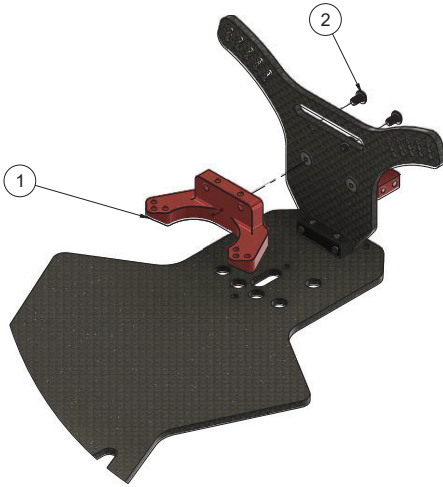
Item	Part Number
1	GFR 6408 4-40x3/8 FHS
2	GFR 1069 Tower Block
3	GFR 8140 23 Rear Apollo Shock Tower

STEP 18



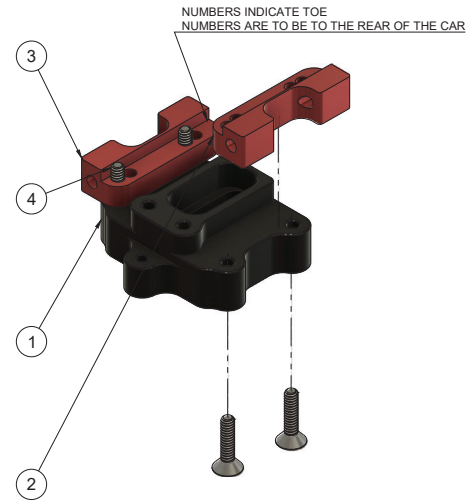
Item	Part Number
1	GFR 6408 4-40x3/8 FHS
2	GFR 8123 1.9 Cross Brace

STEP 19



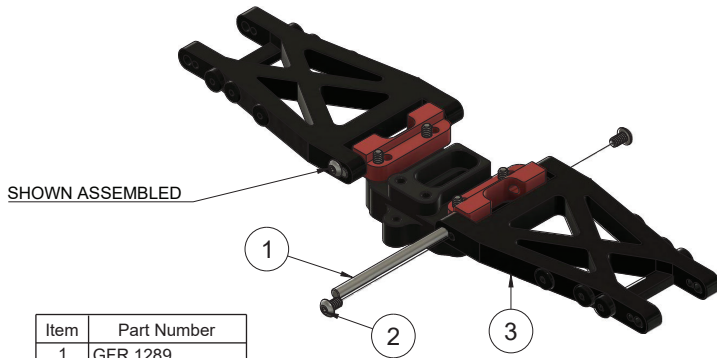
Item	Part Number
1	GFR 1288 Rear Camber Link Mount
2	GFR 6402 4-40x3/16 BHS

STEP 20



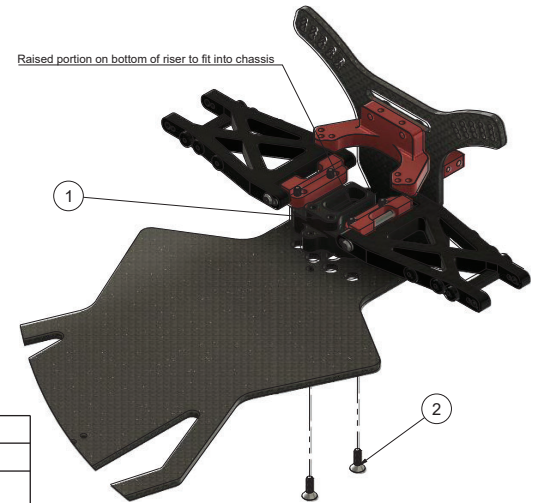
Item	Part Number
1	GFR 8139 23 Apollo Alum Riser
2	GFR 1066 1/3 Rear Arm Mount
3	GFR 1066 1/3 Rear Arm Mount
4	GFR 6410 4-40 x 1/2" FH

STEP 21



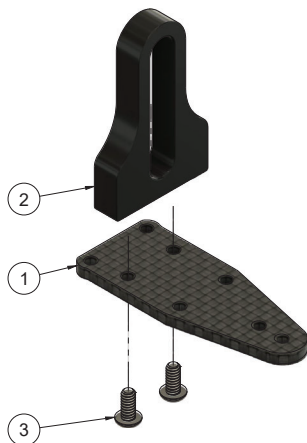
Item	Part Number
1	GFR 1289 Captured Hinge Pin 1.75
2	GFR 6402 4-40x3/16 BHS
3	GFR 3240 Molded Rear Arm

STEP 22



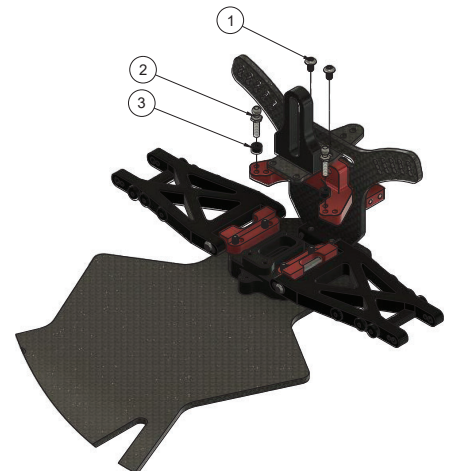
Item	Part Number
1	Riser Asmb
2	GFR 6408 4-40x3/8 FHS

STEP 23



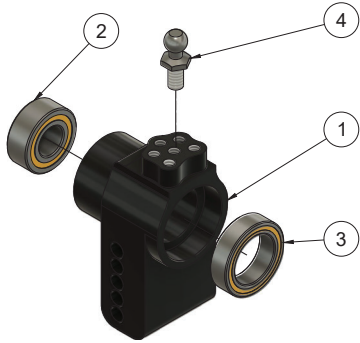
Item	Part Number
1	GFR 8141 Updated Trans Brace
2	GFR 1368rsm Rear Slider Mount
3	GFR 6403 4-40 x 1/4 BHS

STEP 24



Item	Part Number
1	GFR 6402 4-40x3/16 BHS
2	GFR 1281 Long Ball Stud
3	GFR 6434 3mm Spacer

STEP 25



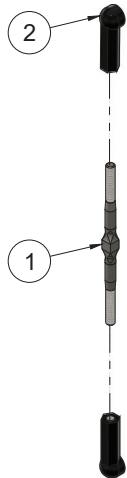
Item	Part Number
1	GFR 8109 Aluminum Hubs
2	GFR 6002 6x13x5 Bearing
3	GFR 6001 10x15x4 Bearing
4	GFR 1280 Short Ball Stud

STEP 26



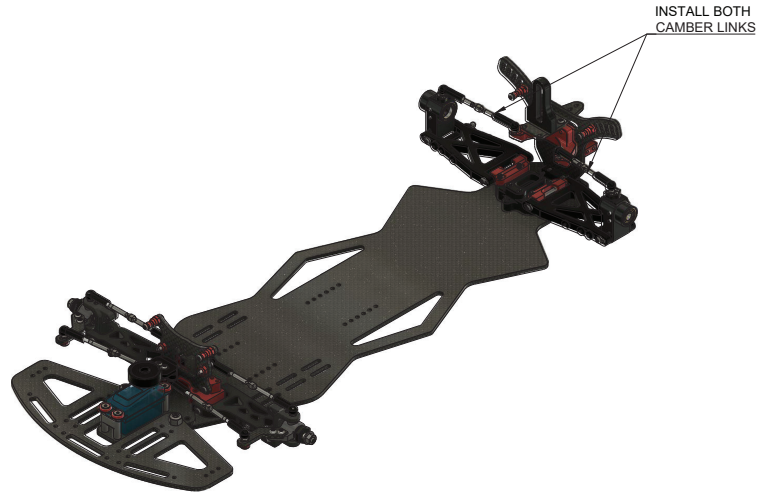
Item	Part Number
1	GFR 6402 4-40x3/16 BHS
2	GFR 1290 Captured Hinge Pin 1.15

STEP 27

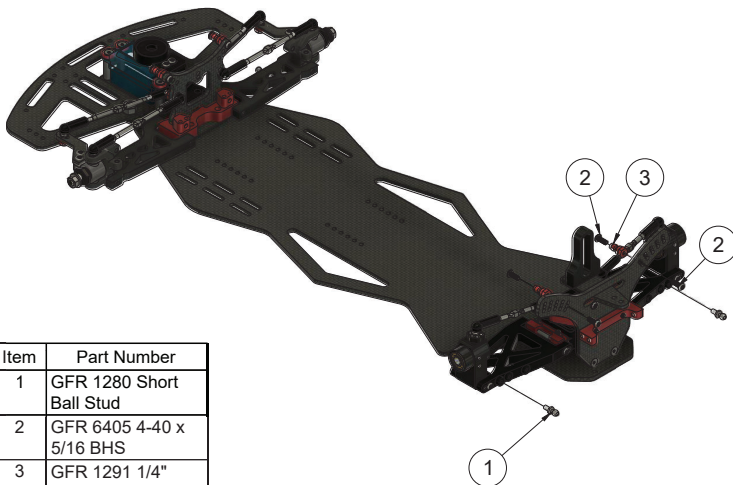


Item	Part Number
1	GFR 1278 2.25 Turnbuckle
2	GFR 1211 Ball Cup

STEP 28

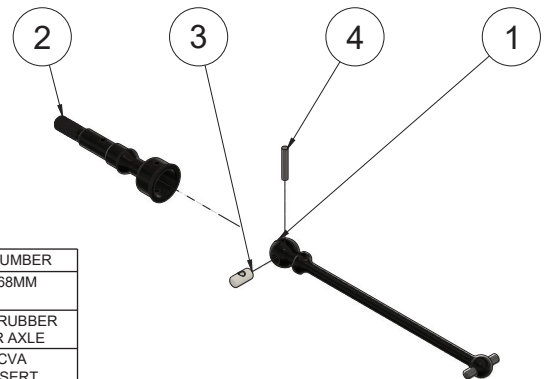


STEP 29



Item	Part Number
1	GFR 1280 Short Ball Stud
2	GFR 6405 4-40 x 5/16 BHS
3	GFR 1291 1/4"

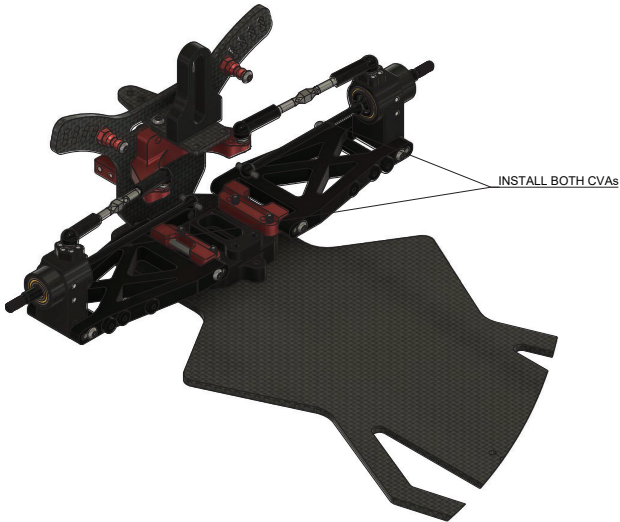
STEP 30 Bag D



ITEM	PART NUMBER
1	GFR 1140 68MM DOGBONE
2	GFR 1230 RUBBER TIRE REAR AXLE
3	GFR 1134 CVA SWIVEL INSERT
4	GFR 6429 SOLID PIN

Build two identical

STEP 31



STEP 32

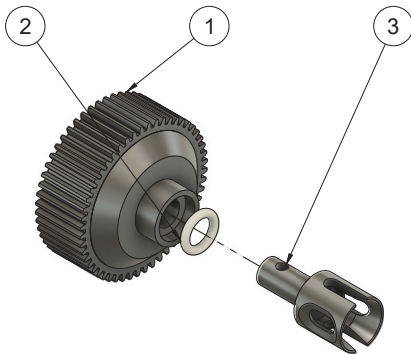
Item	Part Number
1	GFR 6428 Roll Pin
2	GFR 6400 1-72 x 3/36 SHS
3	GFR 1235 7mm Wheel Hex
4	GFR 1265 M4 Wheel Nut



RIGHT SIDE SHOWN ASSEMBLED

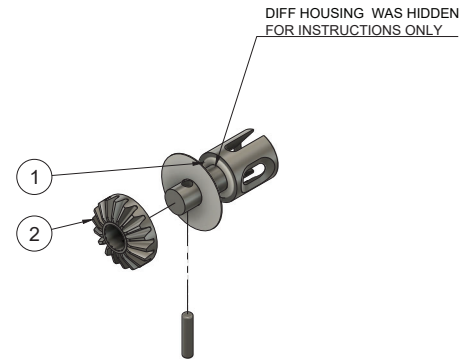
STEP 33 Bag E

Item	Part Number
1	GFR 2040 Diff Housing
2	Outdrive Oring
3	GFR 2042 Outdrives

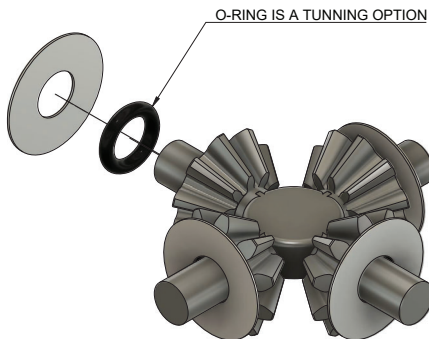


STEP 34

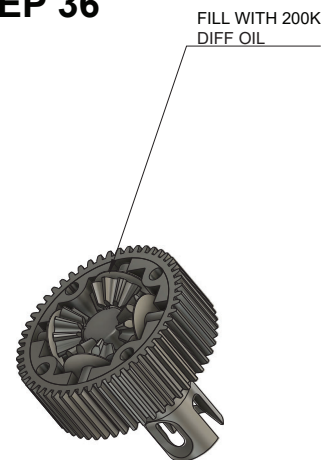
Item	Part Number
1	Outdrive Oring
2	GFR 2041 Gear Set



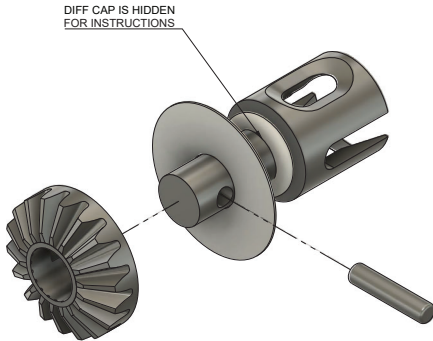
STEP 35



STEP 36

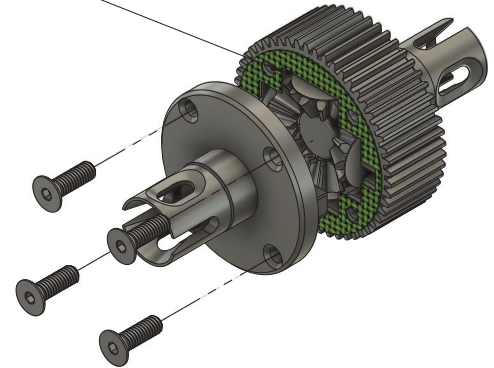


STEP 37



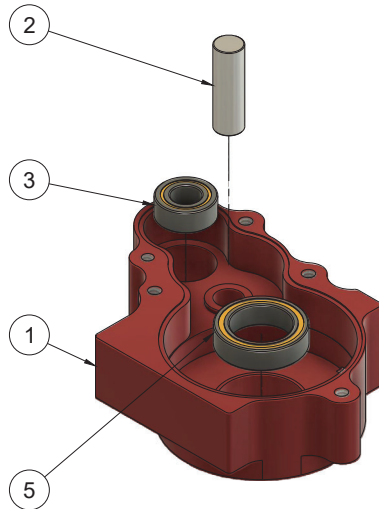
STEP 38

INSTALL GASKET



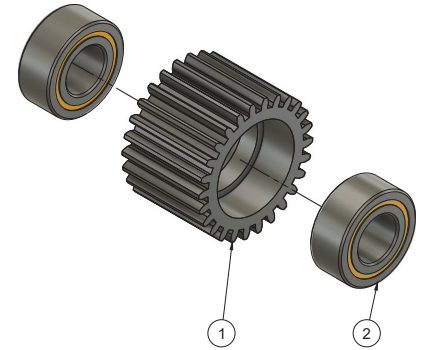
STEP 39

Item	Part Number
1	GFR 1187R Aluminum Trans Case
2	GFR 1180 Idler Shaft
3	GFR 6000 5x10x4 Bearing
4	GFR 1182 Top Shaft
5	GFR 6001 10x15x4 Bearing



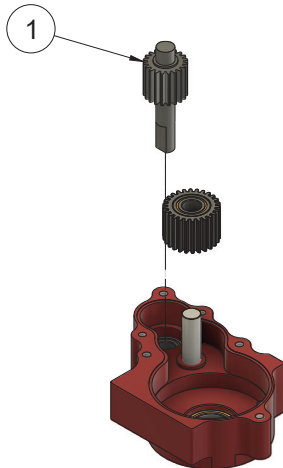
STEP 40

Item	Part Number
1	GFR 1186 Steel Idler Gear
2	GFR 6000 5x10x4 Bearing



STEP 41

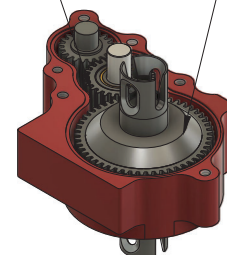
Item	Qty	Part Number
1	1	GFR 1182 Top Shaft



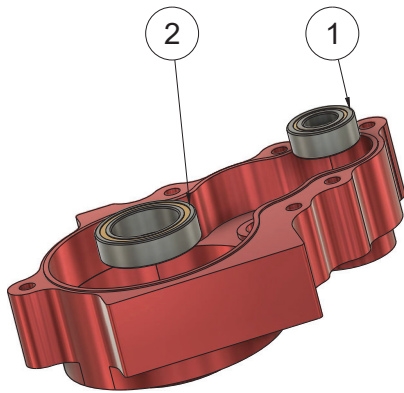
STEP 42

COAT GEARS WITH GREASE

INSTALL DIFF ASSEMBLY

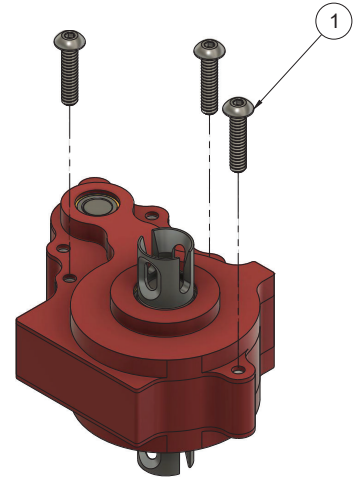


STEP 43



ITEM	PART NUMBER
1	GFR 6000 5X10X4 BEARING
2	GFR 6001 10X15X4 BEARING

STEP 44



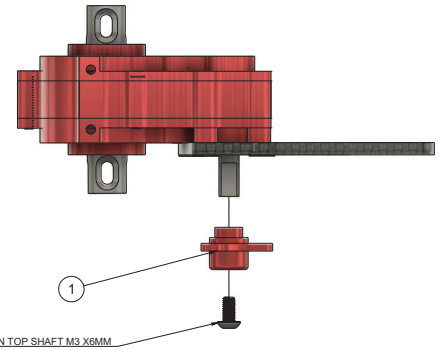
Item	Part Number
1	GFR 6409 4-40x1/2 BHS

STEP 45



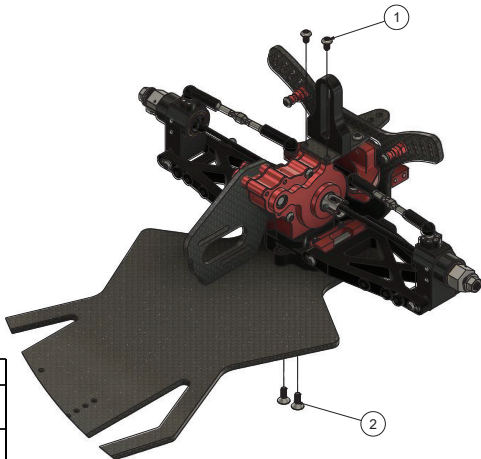
Item	Part Number
1	GFR 1369 23 Apollo Carbon Motor Plate
2	GFR 6408 4-40x3/8 FHS

STEP 46



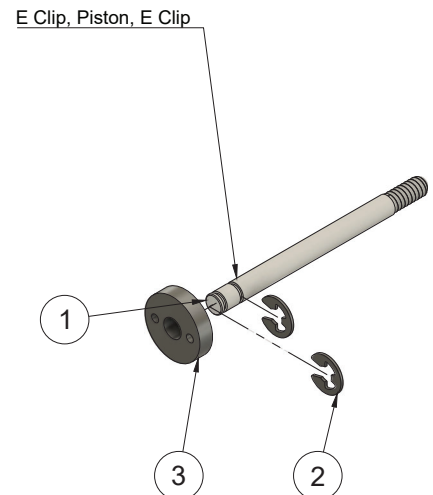
Item	Part Number
1	GFR 1183 Slipper Eliminator Red

STEP 47



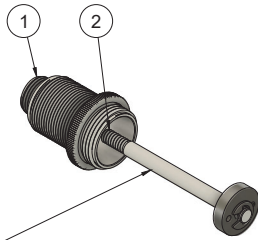
Item	Part Number
1	GFR 6402 4-40x3/16 BHS
2	GFR 6406 4-40 x 5/16 FHS

STEP 48 Bag F



Item	Part Number
1	GFR 4066 Short Shock Shaft
2	GFR 6007 E-Clip
3	GFR 4069 SB IRS Shock Piston

STEP 49

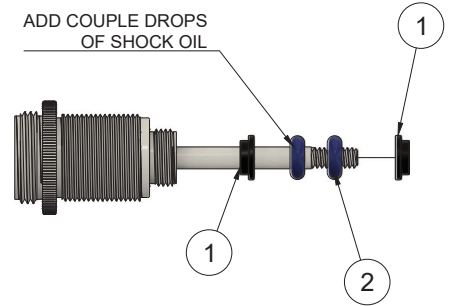


INSTALL COMPLETED SHOCK
 SHAFT INTO SHOCK BODY

Item	Part Number
1	GFR 4100 Small Bore Shrt Shk Body
2	Short Shock Shaft Assembly

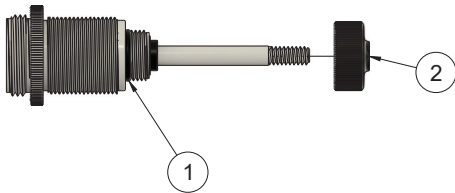
STEP 50

ADD COUPLE DROPS
 OF SHOCK OIL



Item	Part Number
1	GFR 4085 SB Shock Guide
2	GFR 4071 Shock Shaft O Rings

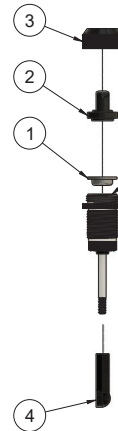
STEP 51



Item	Part Number
1	GFR 6441 0.75x4.5 Oring
2	GFR 4086 SB Shock Bottom Cap

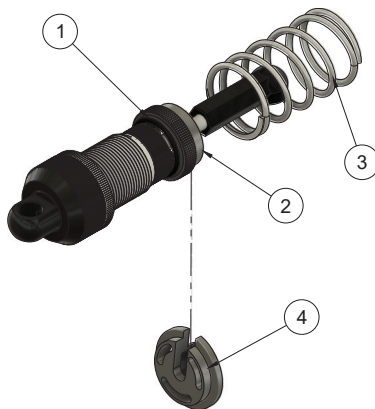
STEP 52

FILL WITH SHOCK OIL
 BEFORE INSTALLING
 BLADDER



Item	Part Number
1	GFR 4068 SB Shock Bladder
2	GFR 4063 2pc Shock Cap
3	GFR 4063 2pc Shock Cap Nut
4	GFR 1211 Ball Cup

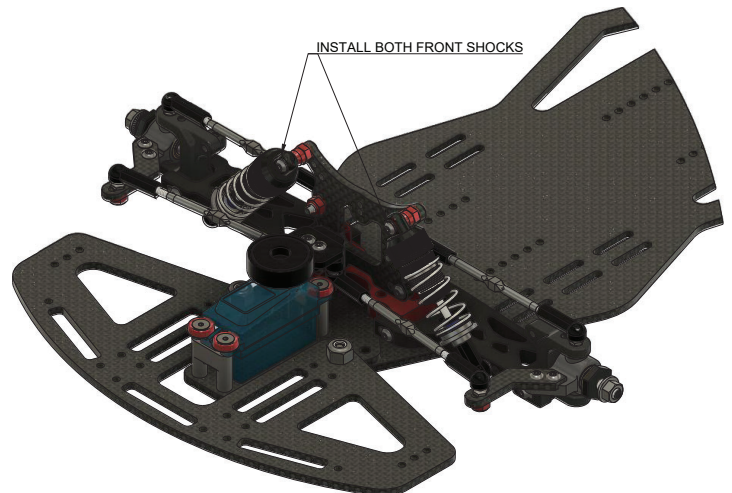
STEP 53



Item	Part Number
1	GFR 6442 1X12 Oring
2	GFR 4064 SB Shock Adjuster Collar
3	1.1 Shock Spring
4	GFR 4067 SB Shock Spring Retainer

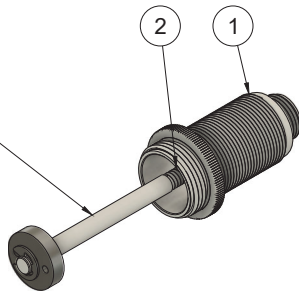
STEP 54

INSTALL BOTH FRONT SHOCKS



STEP 55

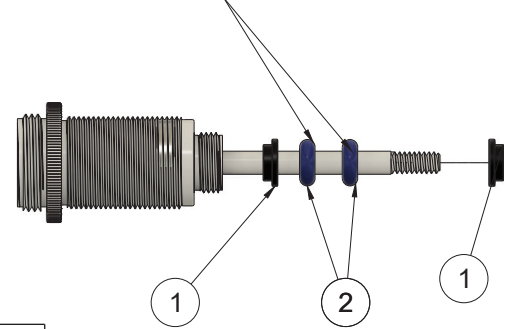
INSTALL COMPLETED
 SHAFT INTO MEDIUM SHOCK BODY



Item	Part Number	Part Name
1	Medium Body v1	
2	Short Shock Shaft Assmely v1	

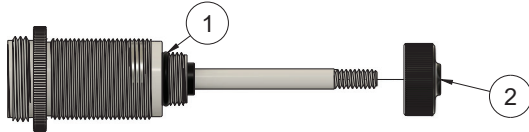
STEP 56

ADD COUPLE DROPS
 OF SHOCK OIL



Item	Part Number	Part Name
1	GFR 4085 SB Shock Guide	
2	GFR 4071 Shock Shaft O Rings	

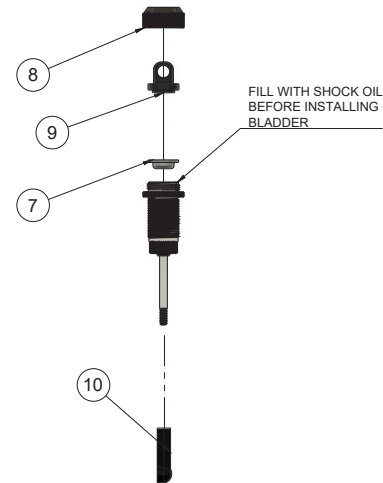
STEP 57



Item	Part Number	Part Name
1	GFR 6441 0.75x4.5 Oring	
2	GFR 4086 SB Shock Bottom Cap	

STEP 58

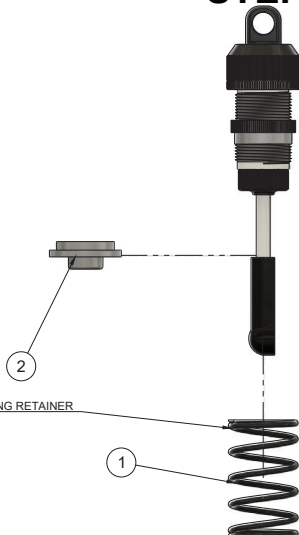
FILL WITH SHOCK OIL
 BEFORE INSTALLING
 BLADDER



Item	Part Number	Part Name
1	GFR 1211 Ball Cup	
2	GFR 4068 SB Shock Bladder	
3	GFR 4063 2pc Shock Cap Nut	
4	GFR 4063 2pc Shock Cap	

STEP 59

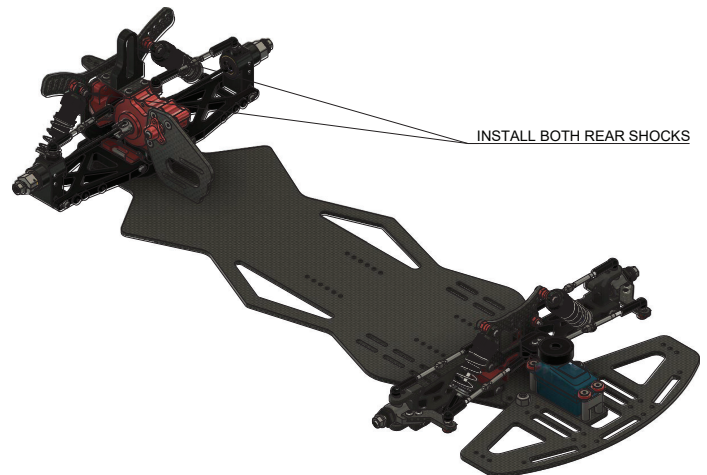
INSTALL SPRING THEN INSTALL SPRING RETAINER



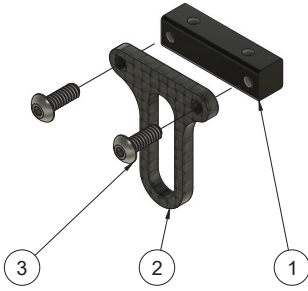
Item	Part Number	Part Name
1	1.35 Shock Spring	
2	GFR 4067 SB Shock Spring Retainer	

STEP 60

INSTALL BOTH REAR SHOCKS

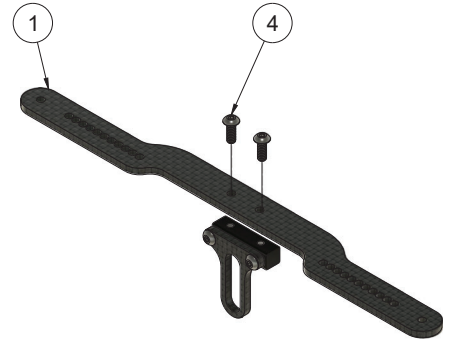


STEP 61 Bag G



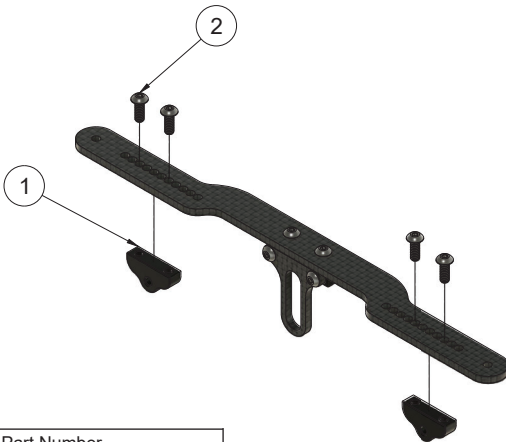
Item	Part Number
1	GFR 1069 Tower Block
2	GFR 1368FP Carbon T W/ Large Opening
3	GFR 6405 4-40x 5/16 BHS

STEP 62



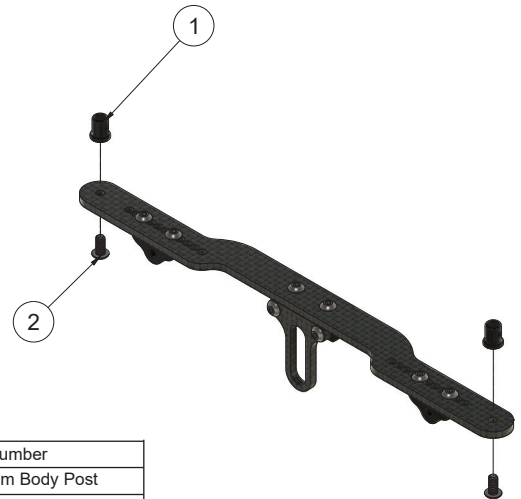
Item	Part Number
1	GFR 6405 4-40x 5/16 BHS
2	GFR 1368fm FBM Fr Body Mount

STEP 63



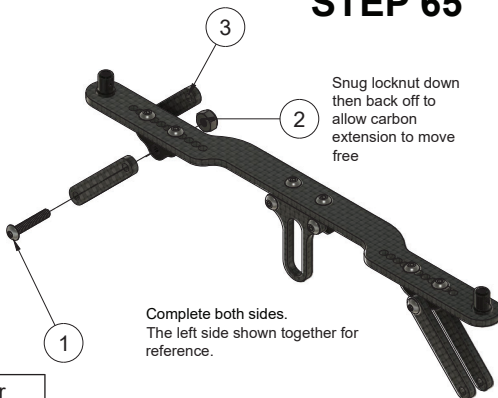
Item	Part Number
1	GFR 1368FM Alum Hub to Flat Mount
2	GFR 6405 4-40x 5/16 BHS

STEP 64



Item	Part Number
1	GFR 1368BP 10mm Body Post
2	GFR 6403 4-40 x 1/4 BHS

STEP 65

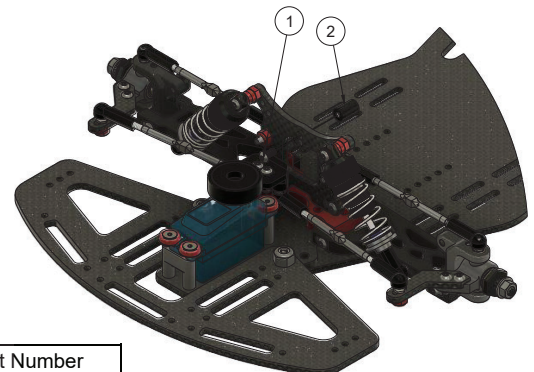


Snug locknut down then back off to allow carbon extension to move free

Complete both sides. The left side shown together for reference.

Item	Part Number
1	GFR 6411 4-40x5/8 BHS
2	GFR 6009 4-40 locknut

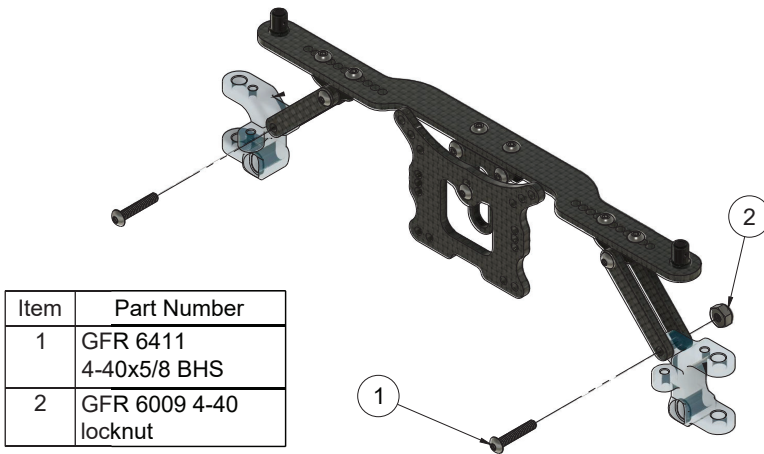
STEP 66



Item	Part Number
1	GFR 6403 4-40 x 1/4 BHS
2	GFR 1233B 4-40 10mm Standoff

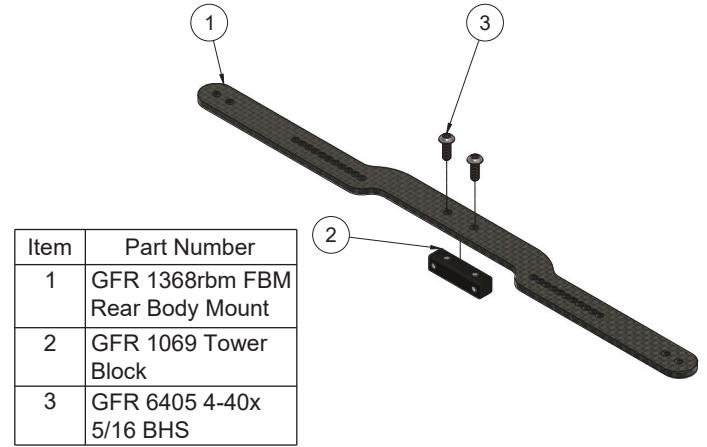
Car is hidden in this step

STEP 67



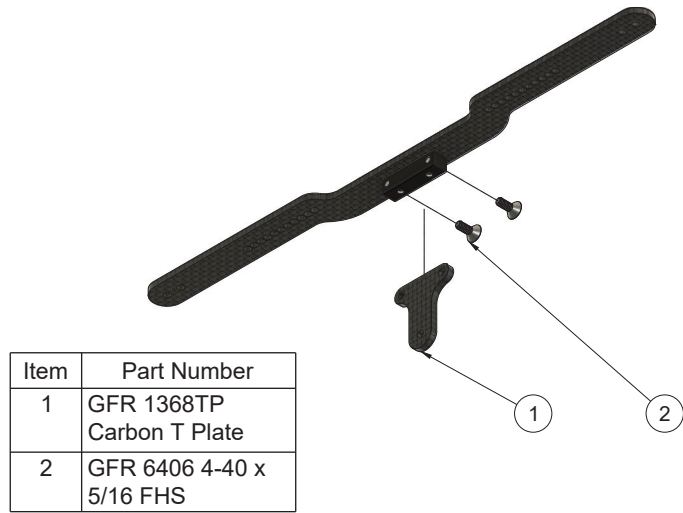
Item	Part Number
1	GFR 6411 4-40x5/8 BHS
2	GFR 6009 4-40 locknut

STEP 68



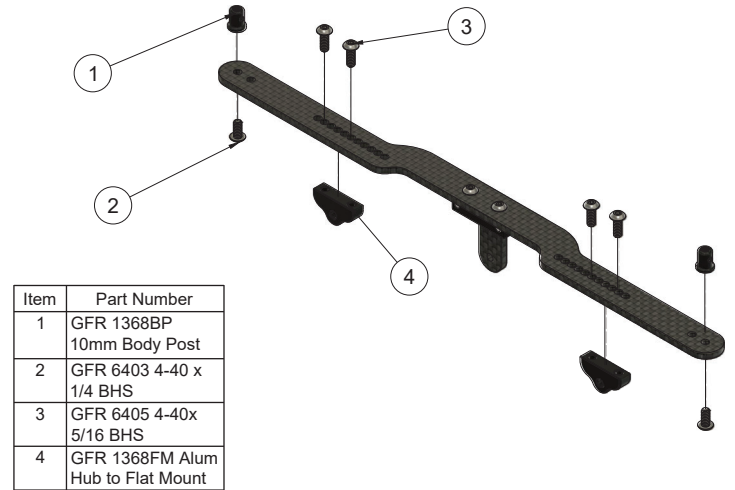
Item	Part Number
1	GFR 1368rbm FBM Rear Body Mount
2	GFR 1069 Tower Block
3	GFR 6405 4-40x 5/16 BHS

STEP 69



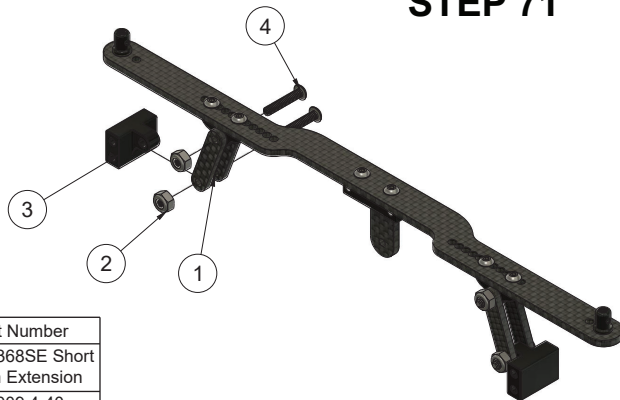
Item	Part Number
1	GFR 1368TP Carbon T Plate
2	GFR 6406 4-40 x 5/16 FHS

STEP 70



Item	Part Number
1	GFR 1368BP 10mm Body Post
2	GFR 6403 4-40 x 1/4 BHS
3	GFR 6405 4-40x 5/16 BHS
4	GFR 1368FM Alum Hub to Flat Mount

STEP 71



Item	Part Number
1	GFR 1368SE Short Carbon Extension
2	GFR 6009 4-40 locknut
3	GFR 1368RB Rear Hub Block
4	GFR 6411 4-40x5/8 BHS

Left side shown together
for reference

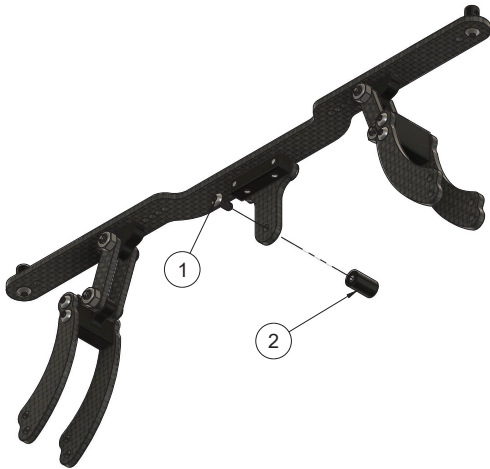
STEP 72



Item	Part Number
1	GFR 1368AS Rear Carbon Hub EXT
2	GFR 6403 4-40 x 1/4 BHS

Right side shown together
for reference

STEP 73



Item	Part Number
1	GFR 6403 4-40 x 1/4 BHS
2	GFR 1233B 4-40 10mm Standoff

STEP 74

Car is hidden in this step



Item	Part Number
1	GFR 6403 4-40 x 1/4 BHS

STEP 75

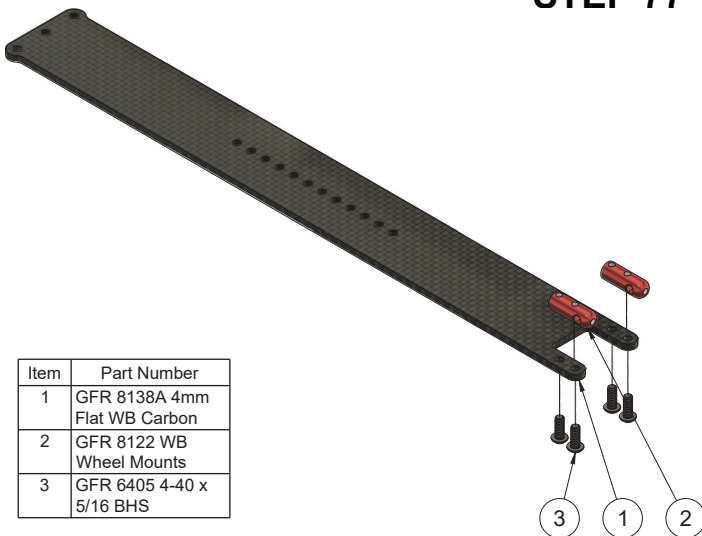


STEP 76 Bag H

Glue Rubber tire to wheel
 Glue not supplied

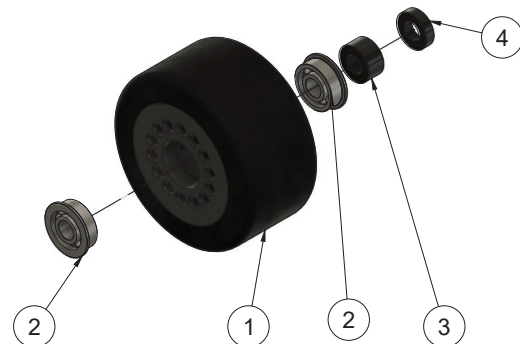


STEP 77



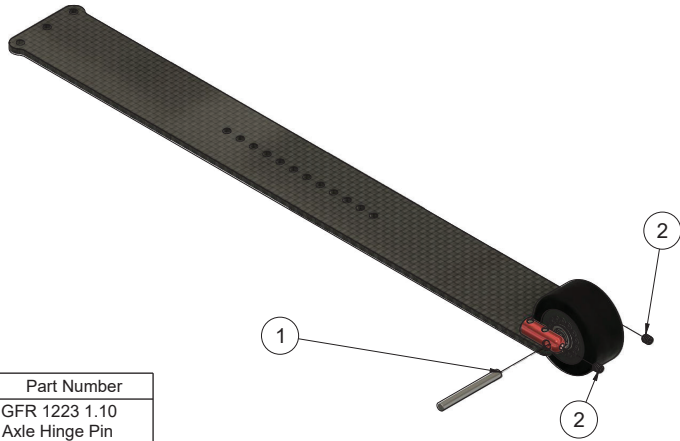
Item	Part Number
1	GFR 8138A 4mm Flat WB Carbon
2	GFR 8122 WB Wheel Mounts
3	GFR 6405 4-40 x 5/16 BHS

STEP 78



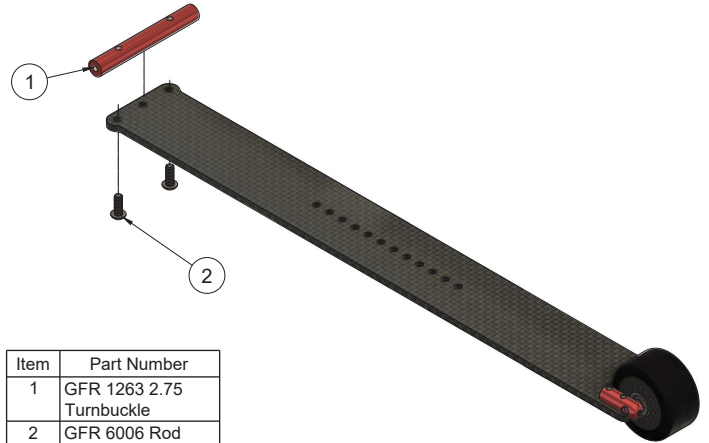
Item	Part Number
1	GFR 8130 Molded Rubber Tire
2	GFR 6011 1/8x5/16 flang bearing
3	1/8 x 1/8 Spacer
4	1/8 x 1/16 Spacer

STEP 79



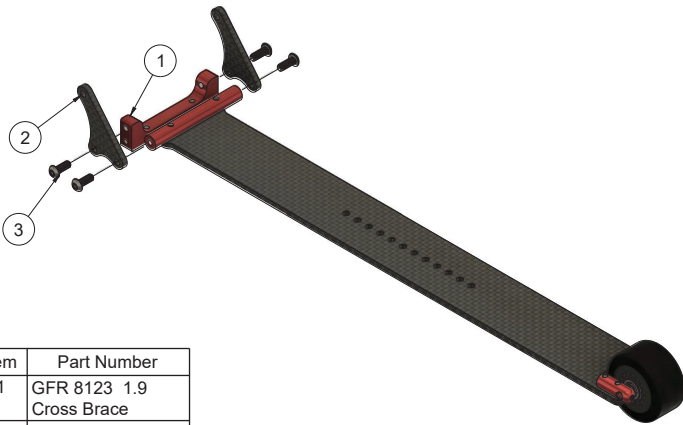
Item	Part Number
1	GFR 1223 1.10 Axle Hinge Pin
2	GFR 6401 4-40 Set Screw

STEP 80



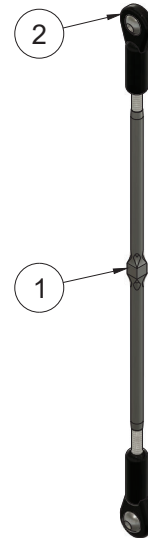
Item	Part Number
1	GFR 1263 2.75 Turnbuckle
2	GFR 6006 Rod End

STEP 81



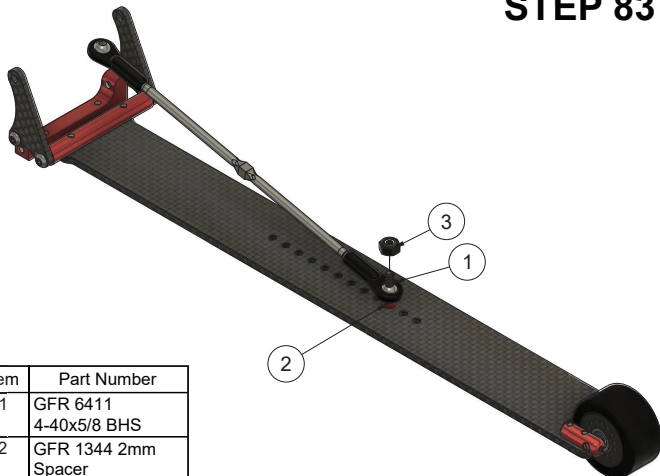
Item	Part Number
1	GFR 8123 1.9 Cross Brace
2	GFR 8138B Side Carbon Mounts
3	GFR 6405 4-40 x 5/16 BHS

STEP 82



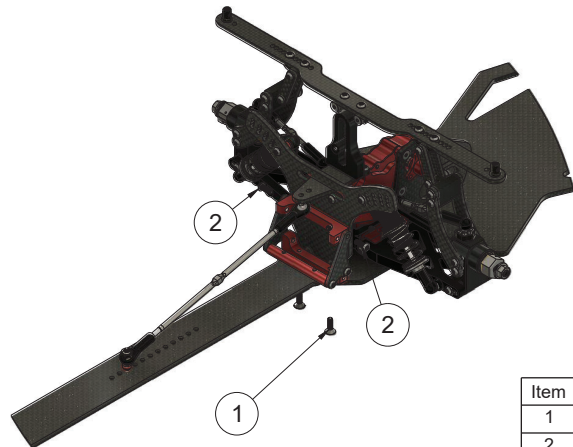
Item	Part Number
1	GFR 1370 Long Titanium TB
2	GFR 6006 Rod End

STEP 83



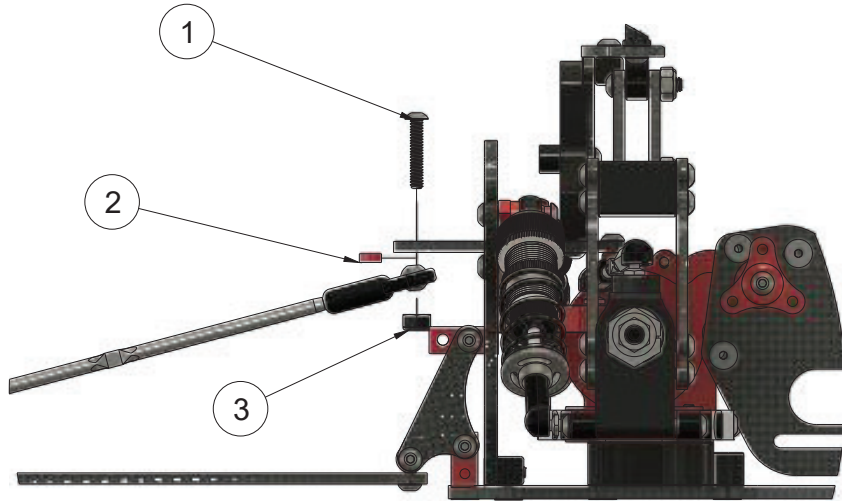
Item	Part Number
1	GFR 6411 4-40x5/8 BHS
2	GFR 1344 2mm Spacer
3	GFR 6009 4-40 Locknut

STEP 84



Item	Part Number
1	4-40 X 3/8 FHS
2	GFR 6405 4-40 X 5/16 BHS

STEP 85



Item	Part Number
1	GFR 6411 4-40x5/8 BHS
2	GFR 1344 2mm Spacer
3	GFR 6009 4-40 Locknut

