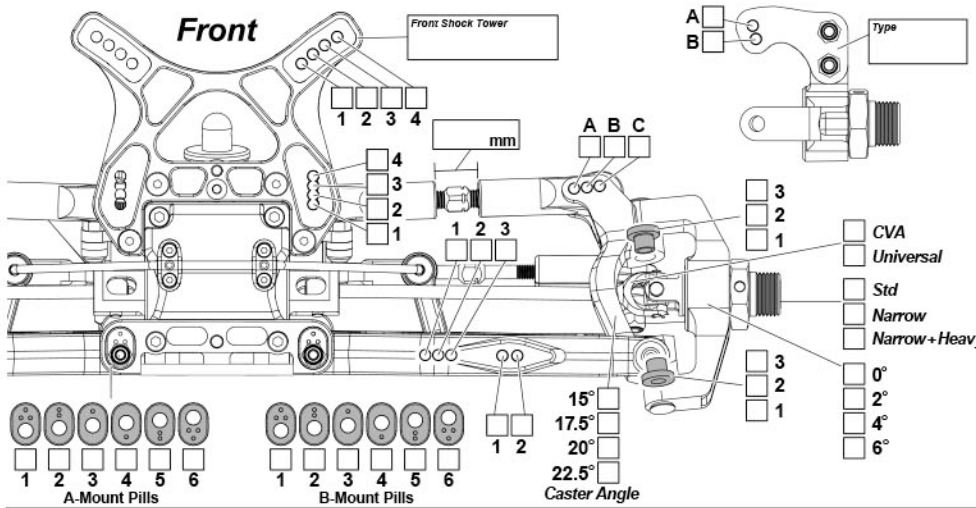


Driver \_\_\_\_\_ Date \_\_\_\_\_ Track \_\_\_\_\_ Event \_\_\_\_\_

Track Condition \_\_\_\_\_ Temperature \_\_\_\_\_



Ride Height \_\_\_\_\_ mm

Camber Angle \_\_\_\_\_ °

Toe Angle \_\_\_\_\_ °

Sway Bar \_\_\_\_\_ mm

Droop \_\_\_\_\_ mm

Shock Length \_\_\_\_\_ mm

Shock Stroke \_\_\_\_\_ mm

### Front Shocks

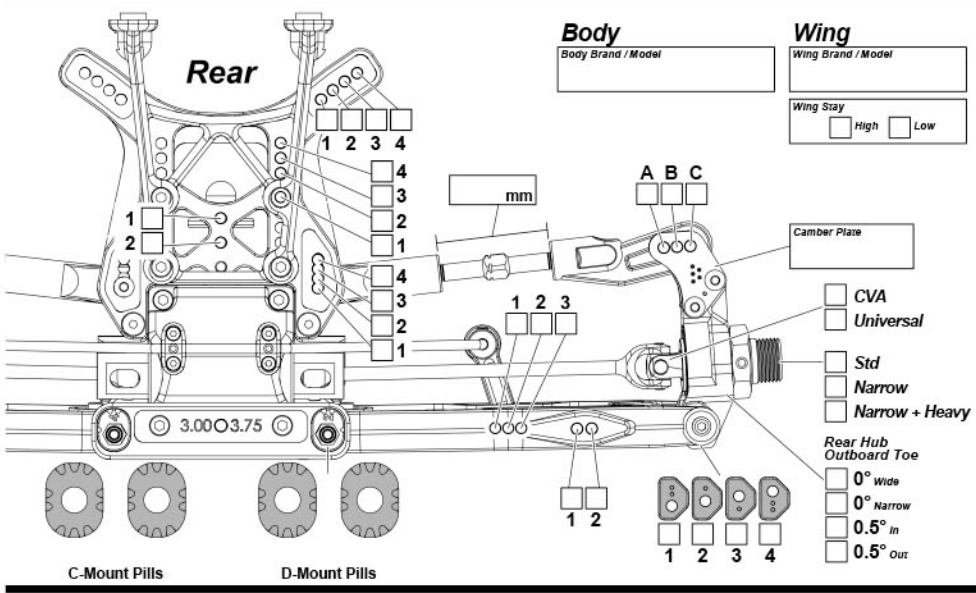
Oil weight \_\_\_\_\_ wt

Piston \_\_\_\_\_ mm

Bladder \_\_\_\_\_ mm

Spring \_\_\_\_\_ mm

Notes \_\_\_\_\_



Ride Height \_\_\_\_\_ mm

Camber Angle \_\_\_\_\_ °

Toe Angle \_\_\_\_\_ °

Sway Bar \_\_\_\_\_ mm

Droop \_\_\_\_\_ mm

Shock Length \_\_\_\_\_ mm

Shock Stroke \_\_\_\_\_ mm

### Rear Shocks

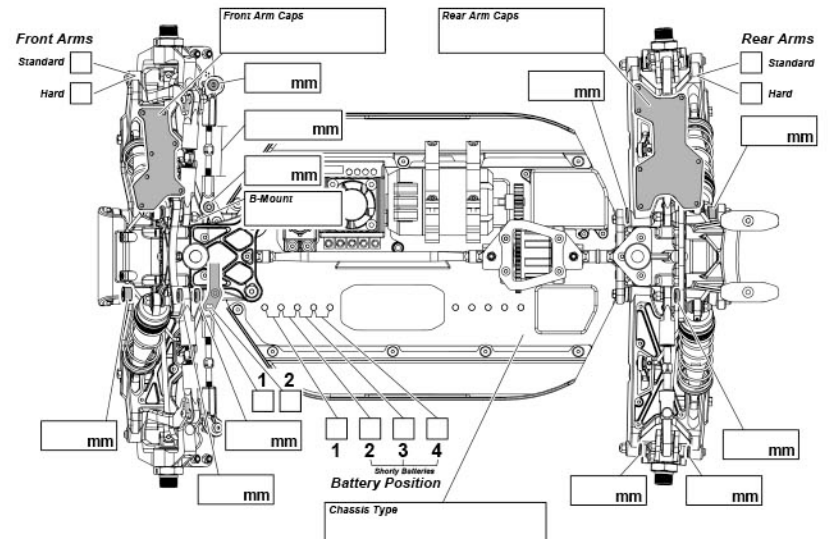
Oil weight \_\_\_\_\_ wt

Piston \_\_\_\_\_ mm

Bladder \_\_\_\_\_ mm

Spring \_\_\_\_\_ mm

Notes \_\_\_\_\_



### Motor

Brand / Model \_\_\_\_\_

Spur gear \_\_\_\_\_ Pinion Gear \_\_\_\_\_

### Battery

Brand / Model \_\_\_\_\_

### ESC

Brand / Model \_\_\_\_\_

Diff Oils	Front	Center	Rear
	Brand _____ Oil _____	_____	_____

Tires	Front	Rear
Brand _____	_____	_____
Compound _____	_____	_____
Insert _____	_____	_____
Wheel _____	_____	_____
Notes _____	_____	_____

Notes \_\_\_\_\_