

MST

MAX SPEED TECHNOLOGY



FOX 2.0S

1/10 SCALE RC RWD HIGH PERFORMANCE DRIFT CAR

INSTRUCTION MANUAL

ON ROAD USE ONLY

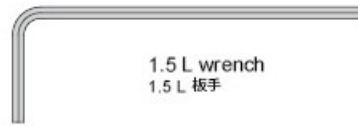
SPECIFICATION: 1:10 Drift Car
WHEELBASE: 257mm
WIDTH: 190mm
DRIVE MODE: RWD
CASTER: Adjustable 12/ 14/ 16/ 18 degrees

FULL BALL BEARING
HYDRAULIC DAMPER SET

www.rc-mst.com

*SPECIFICATION ARE SUBJECT TO CHANGE WITHOUT NOTICE

NECESSARY TOOLS FOR ASSEMBLY 工具需求
(NOT INCLUDED IN KIT) (另購)



1.5 L wrench
1.5 L 板手



2.0 L wrench
2.0 L 板手



2.5 L wrench
2.5 L 板手



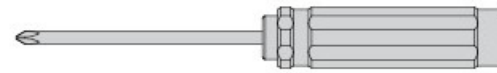
5.5 x 4.0 wrench
5.5 x 4.0 板手



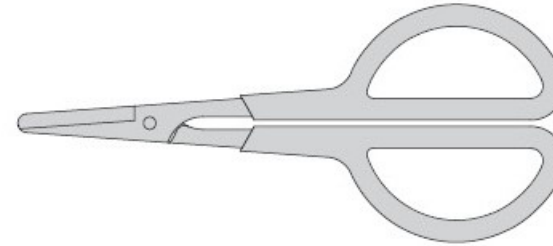
5.5 & 7.0 alum. wrench
5.5 & 7.0 套筒板手



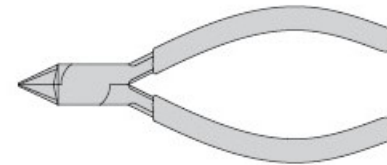
Hobby knife
美工刀



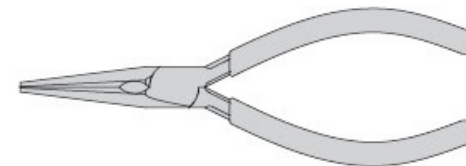
Screwdriver
螺絲起子



Scissors
剪刀



Side cutter
斜口鉗

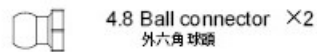
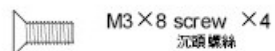
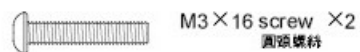
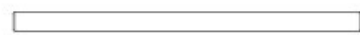
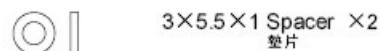
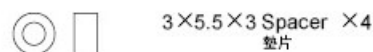
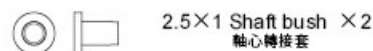
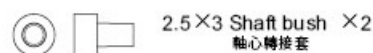


Needle nose pliers
尖嘴鉗

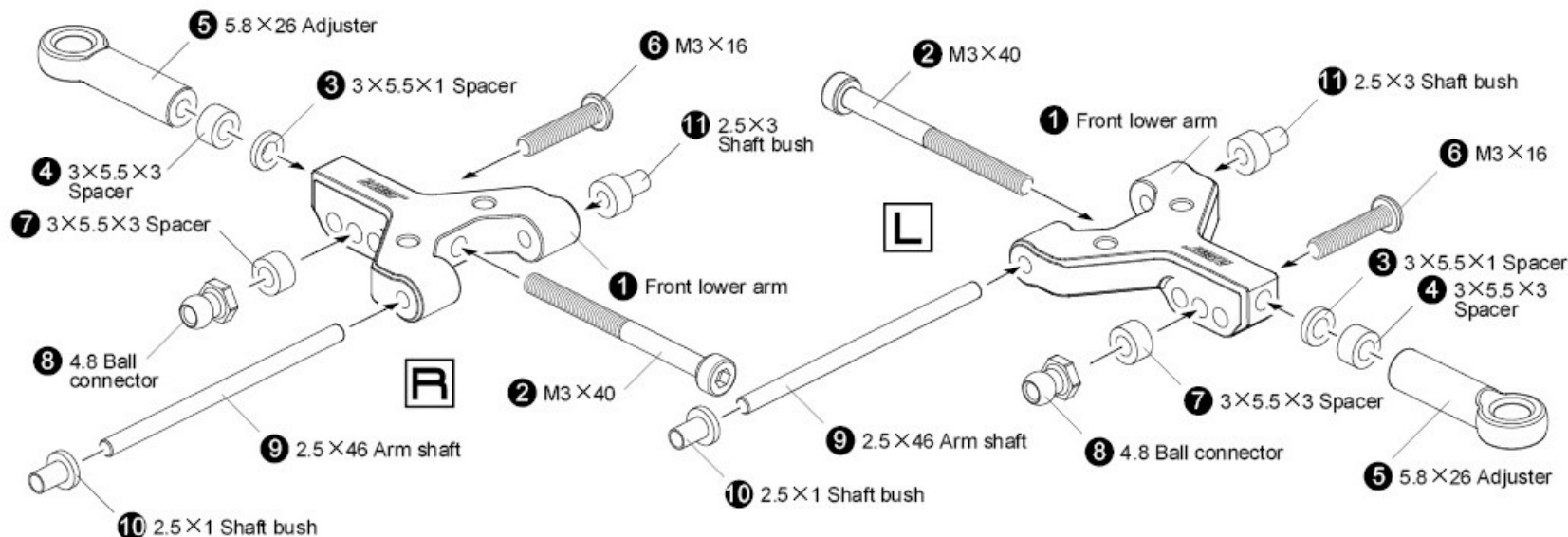


210272
Turnbuckle wrench
拉桿板手

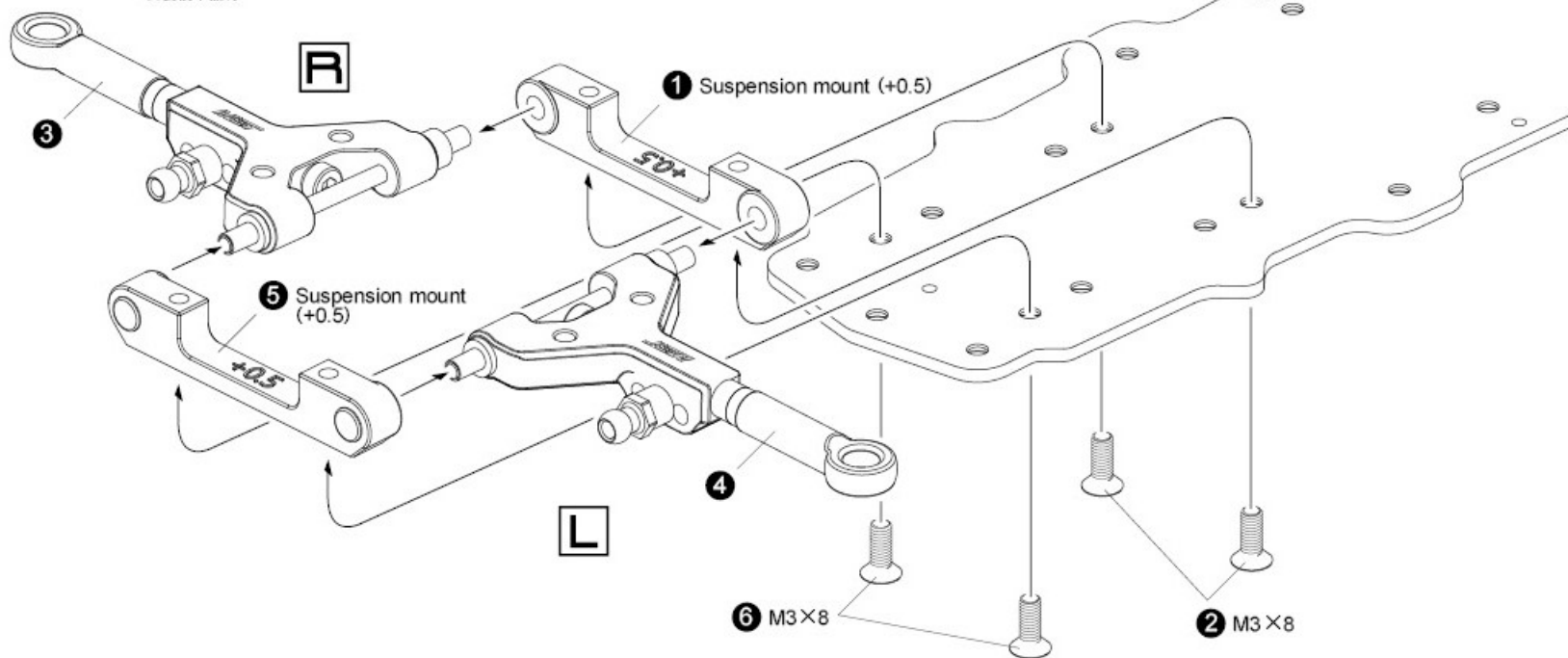
Please follow the assembling figures and instructions closely
 for your [FXX 2.0 S KIT] best performance!
 請依照說明書圖示步驟安裝以發揮 [FXX 2.0 S KIT] 最好效能!

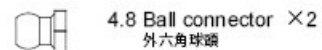
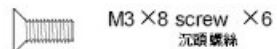
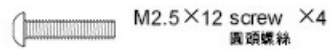
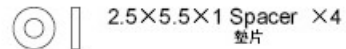
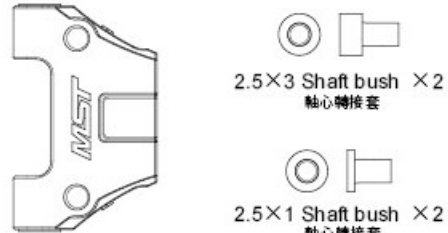
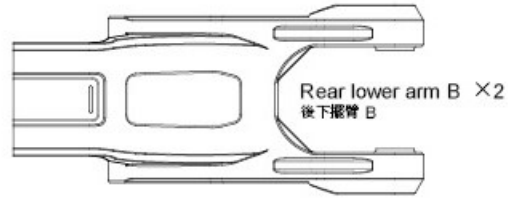


STEP 1 Front lower arm assembly
前下擺臂組裝

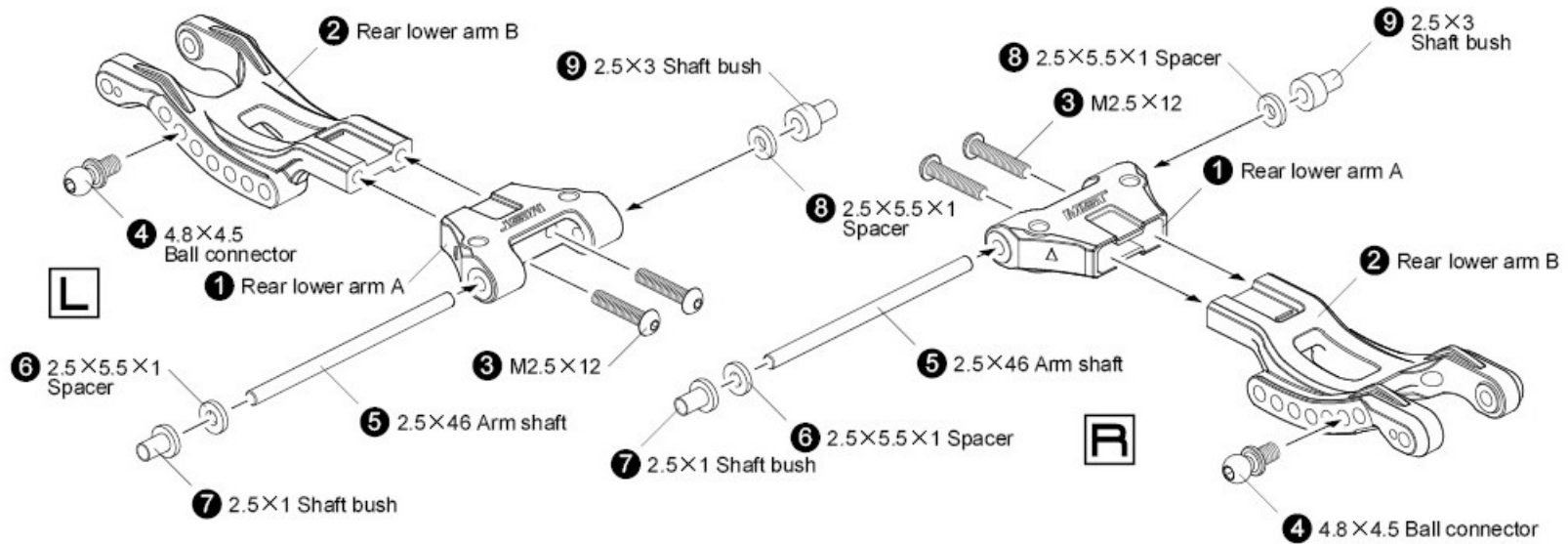


STEP 2 Attaching front lower arm
安裝前下擺臂

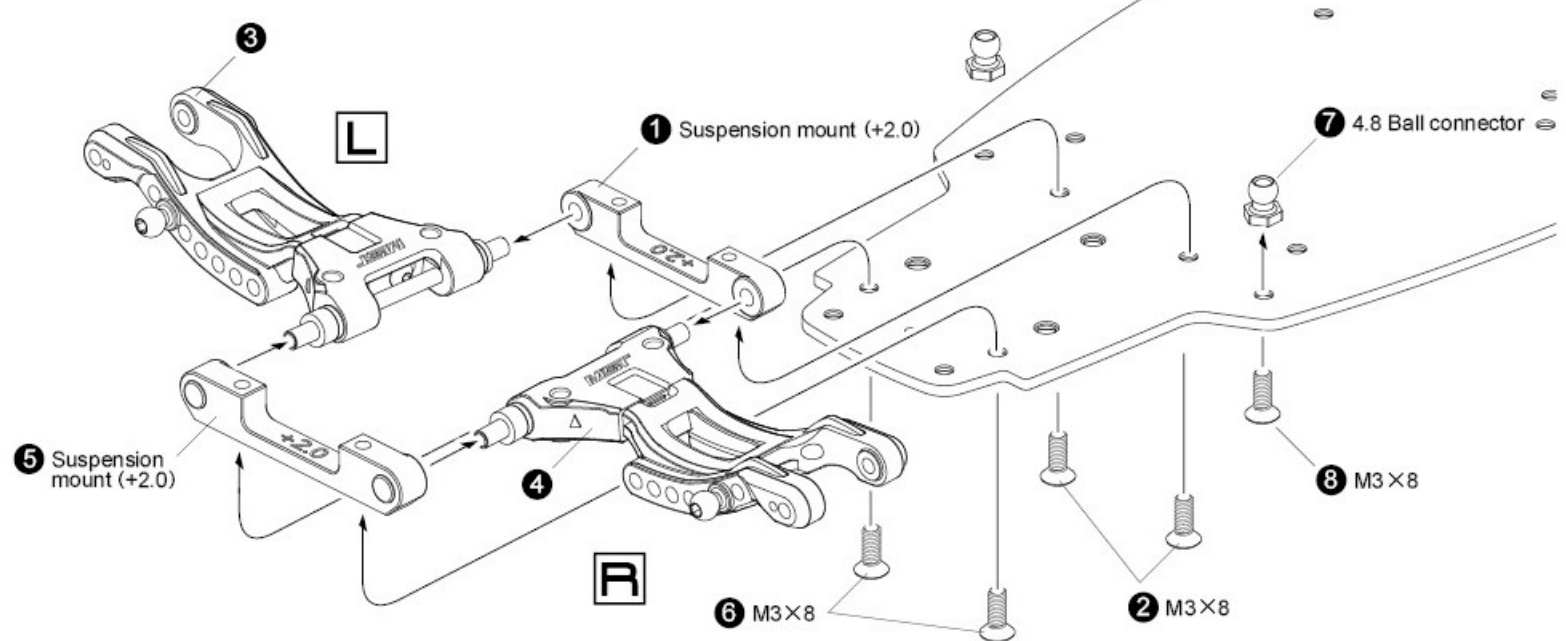




STEP 1 Rear lower arm assembly
後下擺臂組裝



STEP 2 Attaching rear lower arm
安裝後下擺臂





Steering arm A × 1
轉向搖臂A



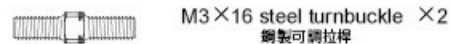
Steering arm B × 1
轉向搖臂B



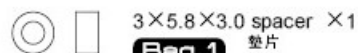
Steering joint plate × 1
轉向連接板



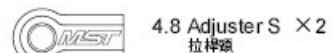
Steering arm post × 2
轉向搖臂支柱



M3×16 steel turnbuckle × 2
鋼製可調拉桿



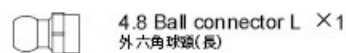
3×5.8×3.0 spacer × 1
墊片



4.8 Adjuster S × 2
拉桿頭



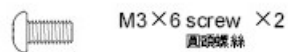
4.8 Adjuster M × 2
拉桿頭



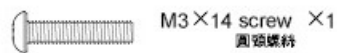
4.8 Ball connector L × 1
外六角球頭(長)



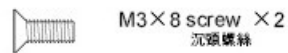
4.8×4.5 Ball connector × 2
球頭螺絲



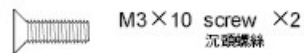
M3×6 screw × 2
圓頭螺絲



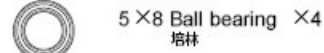
M3×14 screw × 1
圓頭螺絲



M3×8 screw × 2
沉頭螺絲



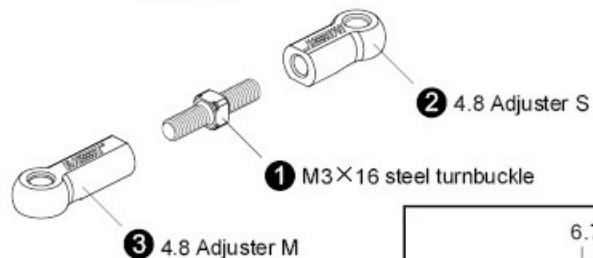
M3×10 screw × 2
沉頭螺絲



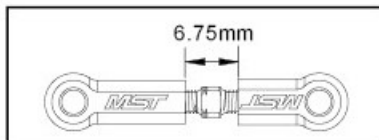
5×8 Ball bearing × 4
培林

STEP 1 Steering adjuster assembly

轉向拉桿組裝



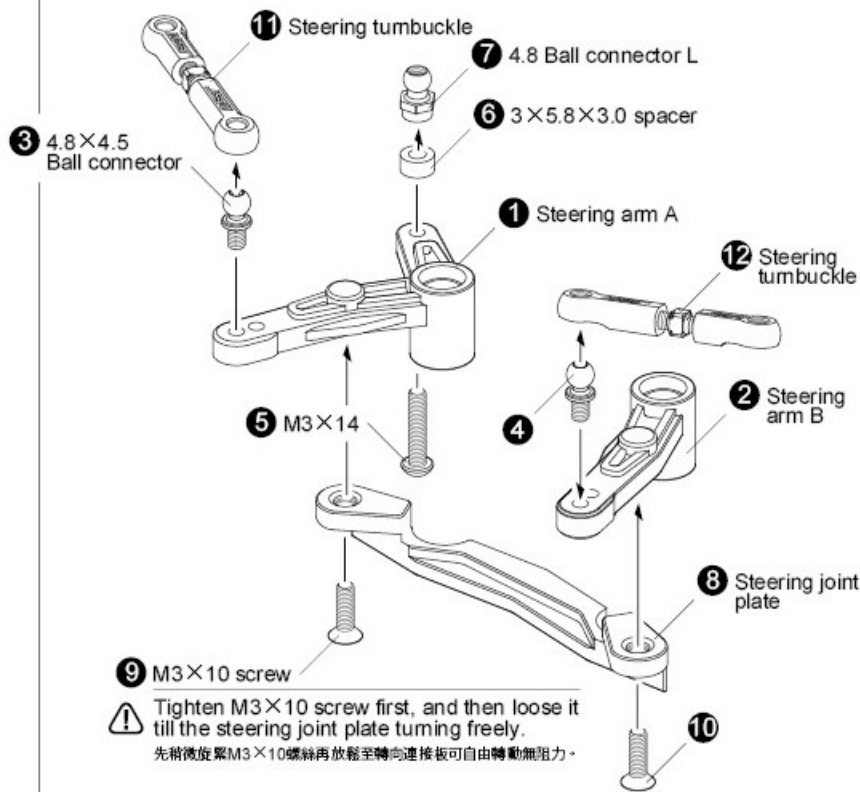
X2
Make 2



※Please take the actual dimensions as the standards.
以實際測量尺寸為準。

STEP 2 Steering arm assembly

轉向搖臂組裝

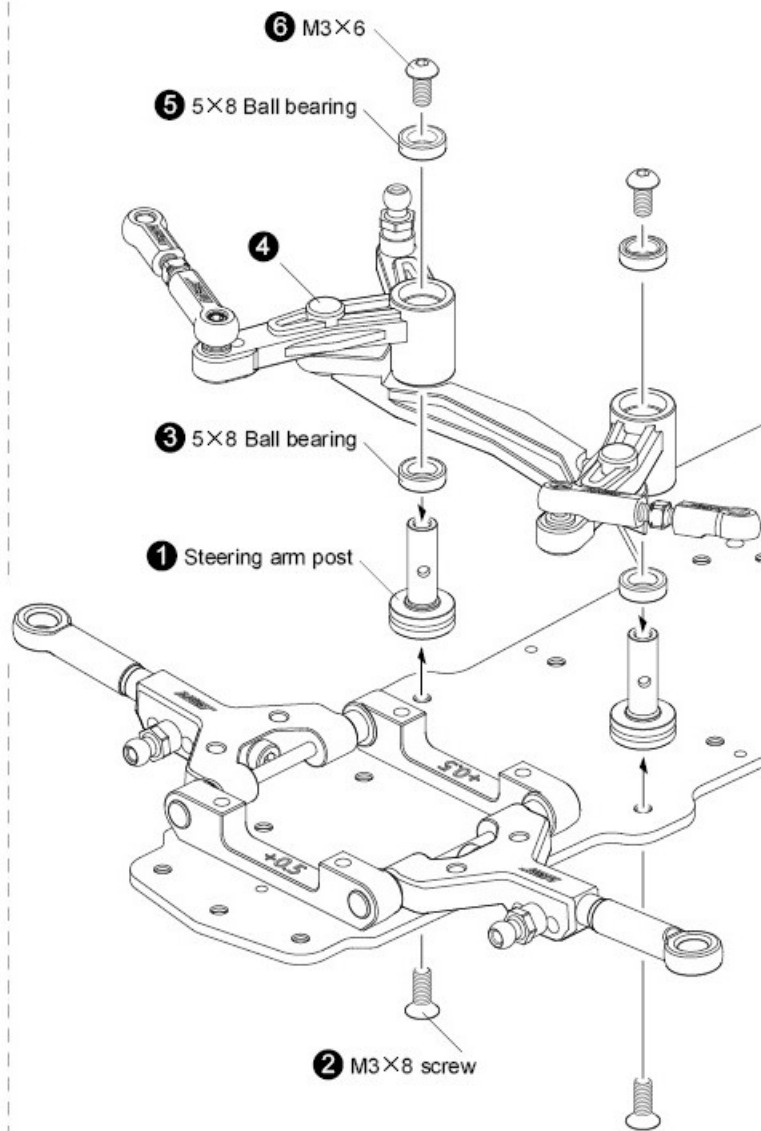


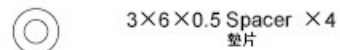
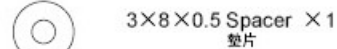
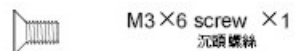
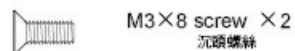
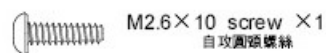
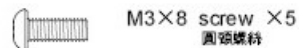
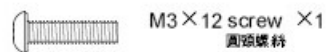
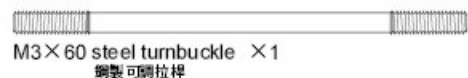
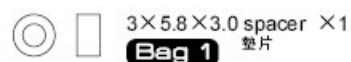
⚠ Tighten M3×10 screw first, and then loose it till the steering joint plate turning freely.

先將從旋緊M3×10螺絲再放鬆至轉向連接板可自由轉動無阻力。

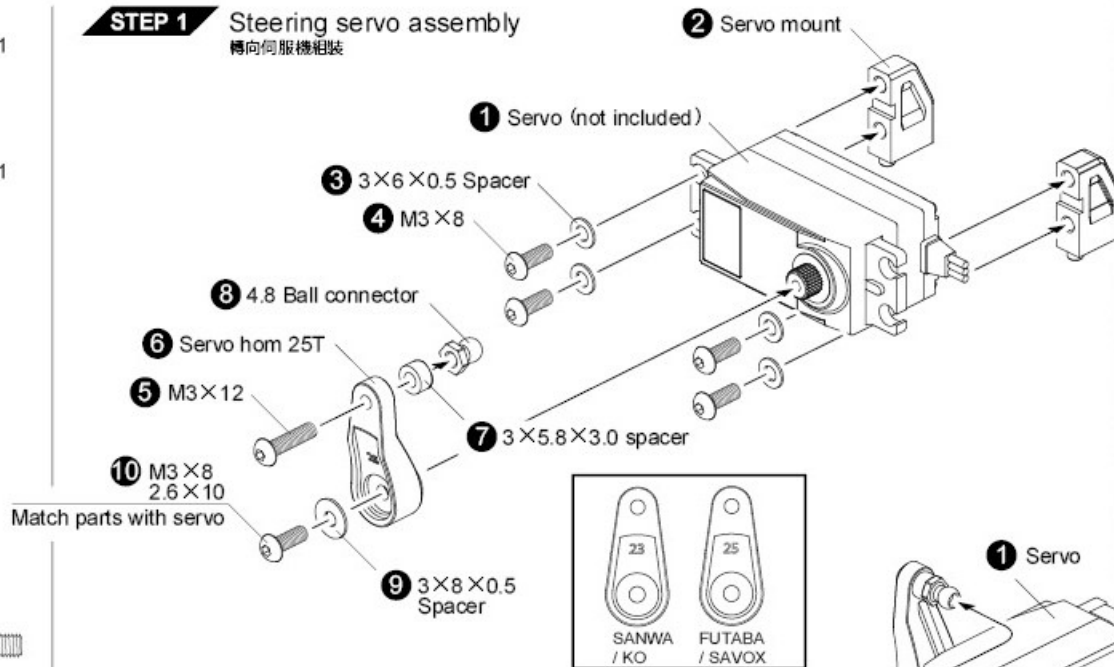
STEP 3 Attaching steering arm

安裝轉向搖臂組

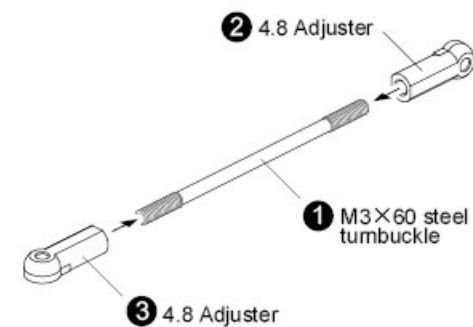




STEP 1 Steering servo assembly
轉向伺服機組裝

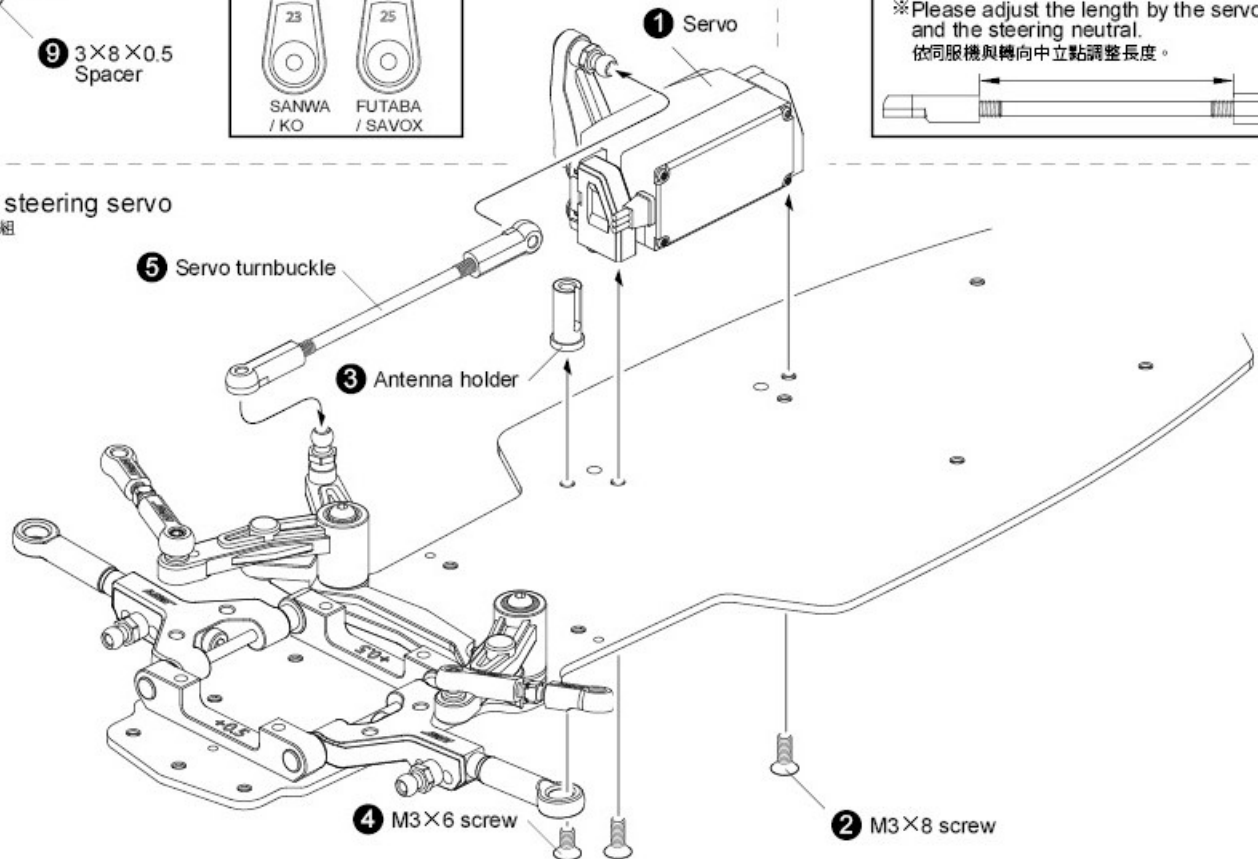


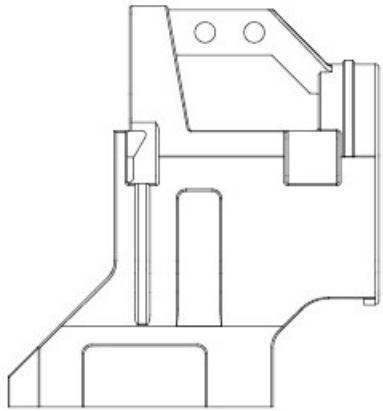
STEP 2 Servo saver turnbuckle assembly
伺服拉桿組裝



※Please adjust the length by the servo spec. and the steering neutral.
依伺服機與轉向中立點調整長度。

STEP 3 Attaching steering servo
安裝轉向伺服機組

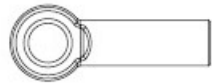




Motor mount ×1
馬達座



Front upper arm ×2
前上擺臂
Bag 1



5.8×26 Adjuster ×2
拉桿頭



M3×20 steel turnbuckle ×2
鋼製可調拉桿



M2×3 screw ×4
圓頭螺絲



3×7 Screw ×4
自攻沉頭螺絲



M3×6 screw ×2
圓頭螺絲



3×6×0.5 Spacer ×2
墊片



2×6×1 Spacer ×2
墊片

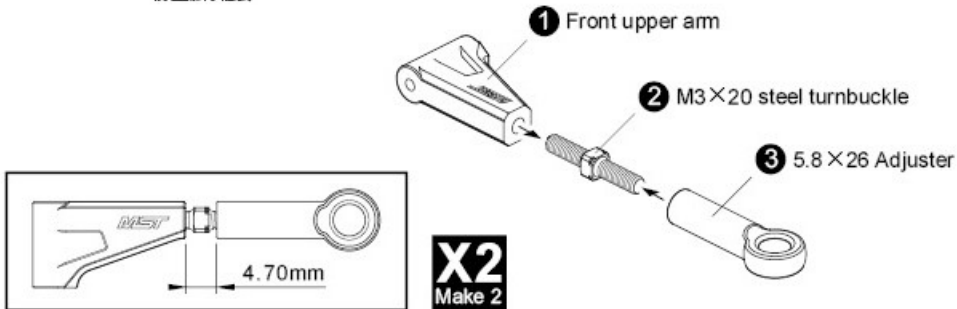


2×6×2 Spacer ×2
墊片



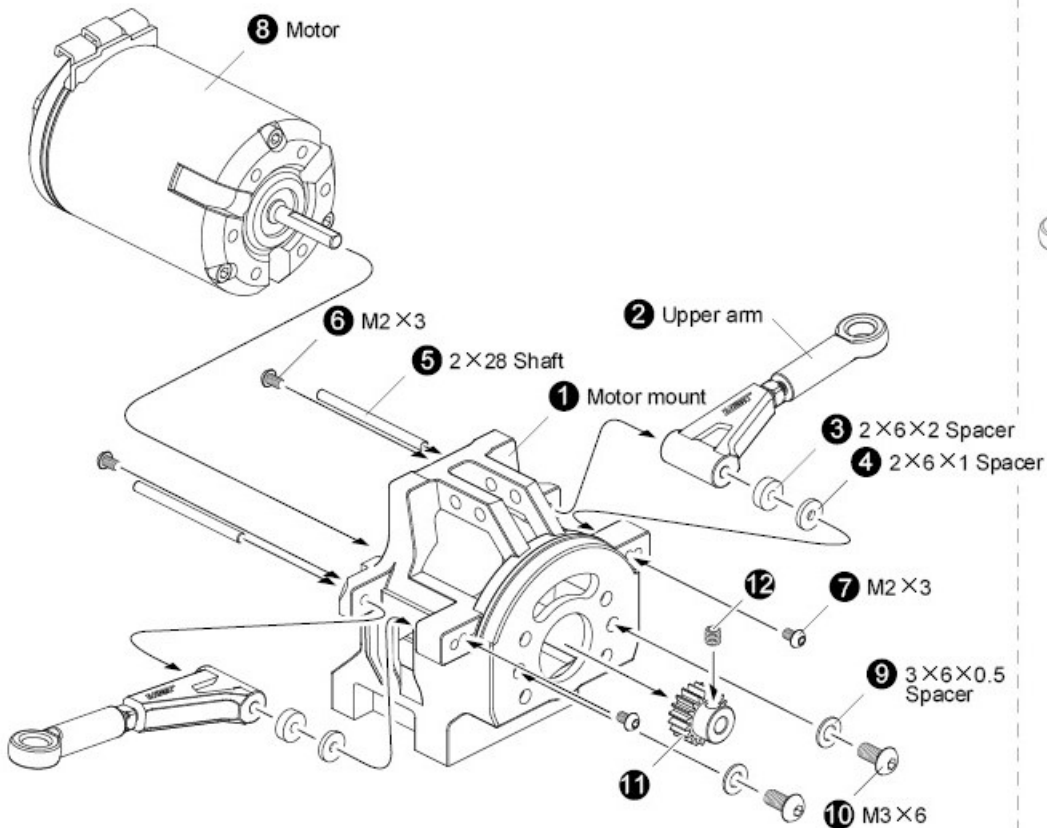
2×28 shaft ×2
插銷

STEP 1 Front upper arm assembly
前上擺臂組裝

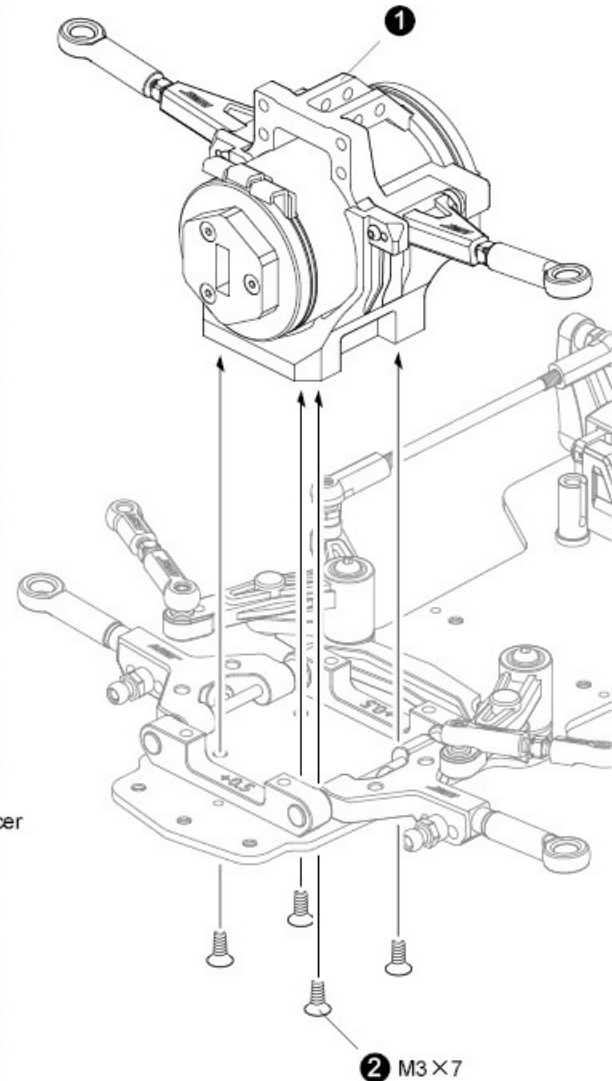


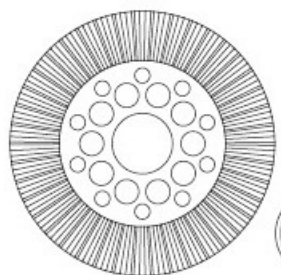
※ Please take the actual dimensions as the standards.
以實際測量尺寸為準。

STEP 2 Attaching front upper arm / Attaching motor
安裝前上擺臂 / 安裝馬達



STEP 3 Attaching motor mount
安裝馬達座





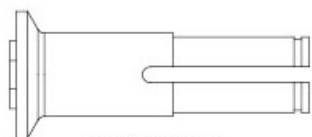
Bevel gear 42T ×1
傘齒



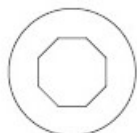
Diff. nut ×1
滾差螺母座



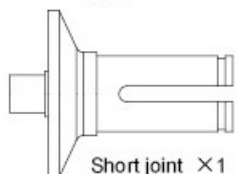
Joint ring ×2
接杯環



Long joint ×1
長接杆



Diff. plate ×2
滾差壓版



Short joint ×1
短接杆

Steel ball 3.0 ×10
鋼珠 3.0

Steel ball 1.5 ×8
鋼珠 1.5



M2.5×30 screw ×1
有頭螺絲(半牙)

Diff. spring ×1
滾差彈簧



10×15 Ball bearing ×2
培林



10×12×0.3 Spacer ×1
墊片



10×12×0.1 Spacer ×1
墊片



5×8×2.5 Bearing ×2
軸承

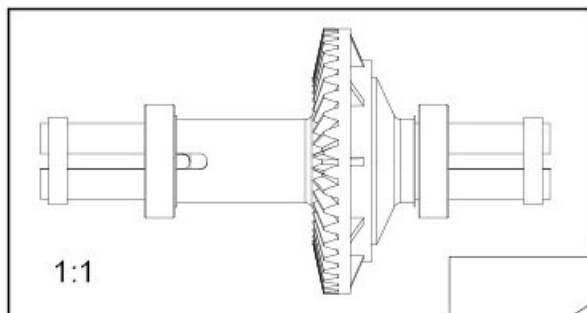


2.5×6 Spacer ×2
鋼板

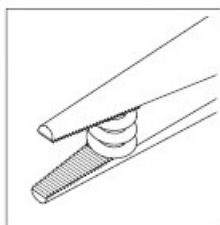


3×6×0.5 Spacer ×1
墊片

STEP 1 Rear diff. set assembly
後滾差組裝



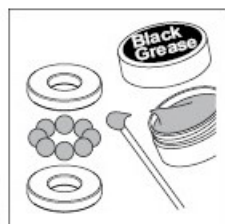
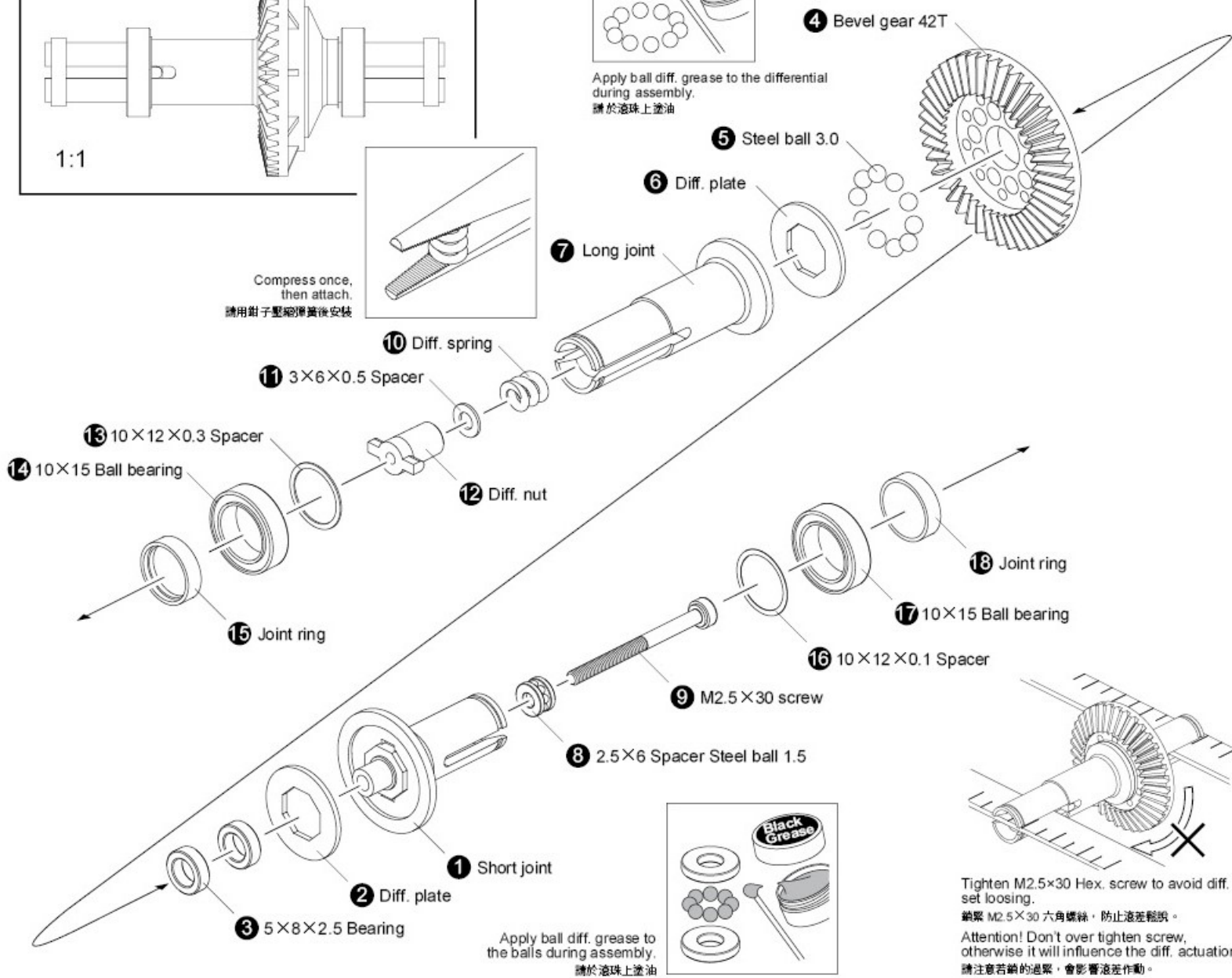
1:1



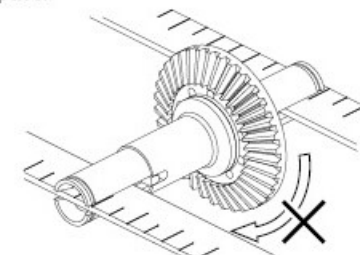
Compress once,
then attach.
請用鉗子壓縮彈簧後安裝



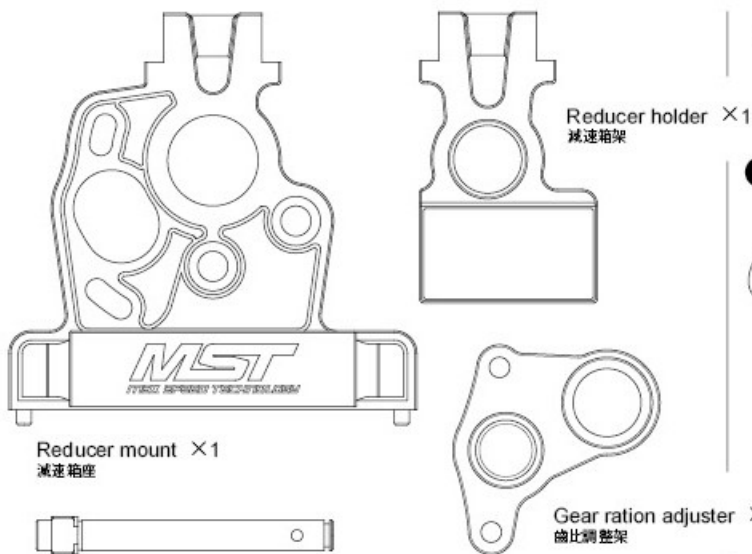
Apply ball diff. grease to the differential
during assembly.
請於滾珠上塗油



Apply ball diff. grease to
the balls during assembly.
請於滾珠上塗油



Tighten M2.5×30 Hex. screw to avoid diff.
set loosening.
鎖緊 M2.5×30 六角螺絲，防止滾差鬆脫。
Attention! Don't over tighten screw,
otherwise it will influence the diff. actuation.
請注意若鎖的過緊，會影響滾差作動。



Reducer mount ×1
減速箱座

Reducer holder ×1
減速箱架

Gear ration adjuster ×1
齒比調整架

Drive gear shaft ×1
驅動齒軸

Gear B 20T ×1
齒輪 B 20T

Gear A 30T ×1
齒輪 A 30T

Gear C 36T ×1
齒輪 C 36T

M2×6 screw ×1
圓頭螺絲

M3×6 screw ×1
圓頭螺絲

M3×8 screw ×4
圓頭螺絲

M2×8 screw ×1
圓頭螺絲 (半牙)

M3×8 screw ×2
沉頭螺絲

Gear C shaft ×1
終齒軸

Propeller shaft joint ×1
中軸接杯

1.5×7.8 shaft ×1
插銷

2×11.8 shaft ×1
插銷

3×6×0.5 spacer ×3
墊片

4×6×0.1 spacer ×1
墊片

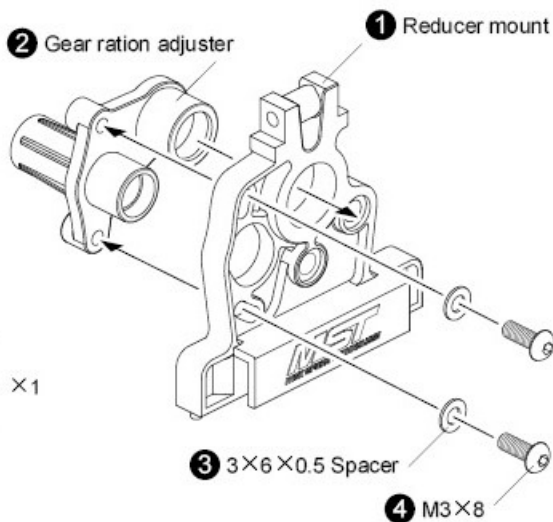
4×6×0.3 spacer ×1
墊片

E-Clip 3.0 ×1
E和 3.0

4×8 ball bearing ×2
培林

5×10 ball bearing ×2
培林

STEP 1 Gear ration adjuster assembly
齒比調整架組裝



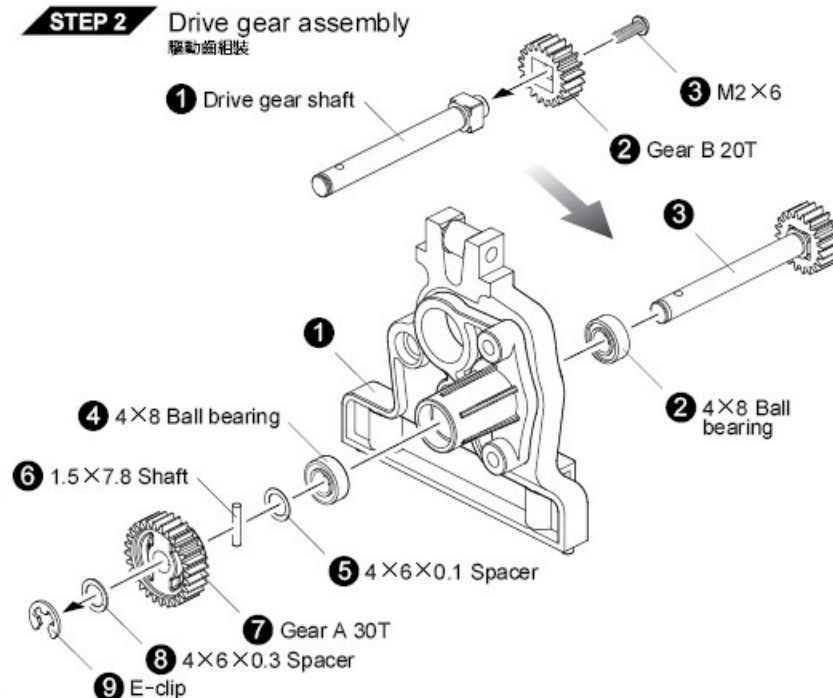
2 Gear ration adjuster

1 Reducer mount

3 3×6×0.5 Spacer

4 M3×8

STEP 2 Drive gear assembly
驅動齒組裝



1 Drive gear shaft

2 Gear B 20T

3 M2×6

4 4×8 Ball bearing

5 4×6×0.1 Spacer

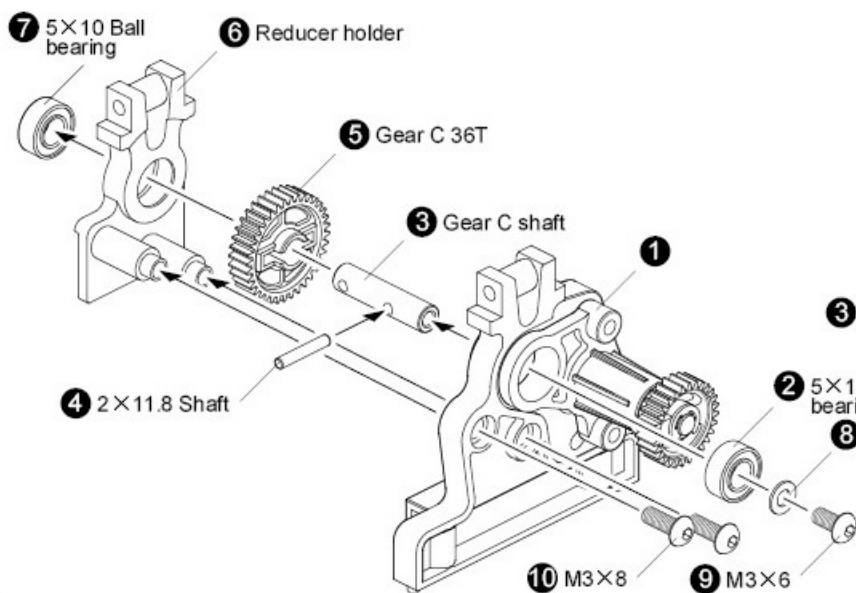
6 1.5×7.8 Shaft

7 Gear A 30T

8 4×6×0.3 Spacer

9 E-clip

STEP 3 Reducer holder assembly
減速箱架組裝



7 5×10 Ball bearing

6 Reducer holder

5 Gear C 36T

3 Gear C shaft

1

4 2×11.8 Shaft

3 M2×8

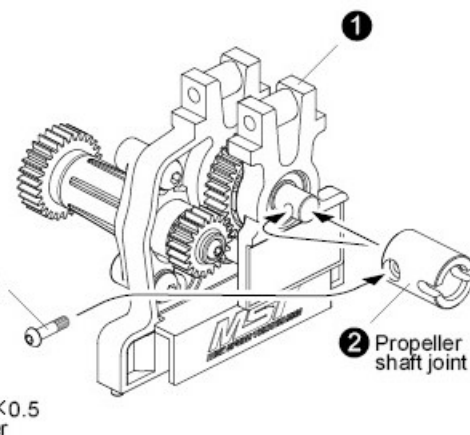
2 5×10 Ball bearing

8 3×6×0.5 Spacer

10 M3×8

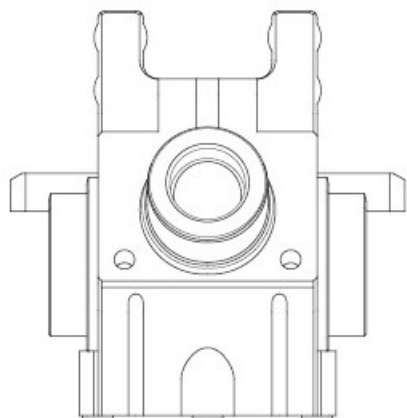
9 M3×6

STEP 4 Propeller shaft joint assembly
中軸接杯組裝



2 Propeller shaft joint

1

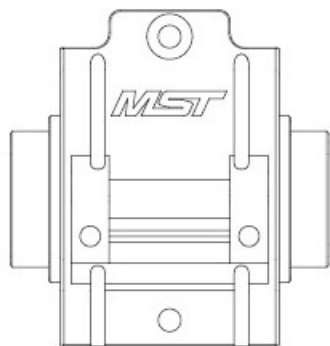


Rear gear box mount ×1
後齒箱座

M3×3 Screw ×1
止付螺絲

M3×8 screw ×2
圓頭螺絲

M3×8 screw ×3
沉頭螺絲



Rear gear box cover ×1
後齒箱蓋

2×9.8 Shaft ×1
插軸 (別槽)

6×10×3 Ball bearing ×1
培林



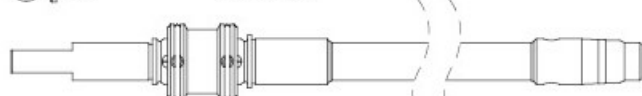
Bearing holder ×1
二環板培林架

Bevel gear 11T ×1
傘齒 11T

8×14 Ball bearing ×1
培林

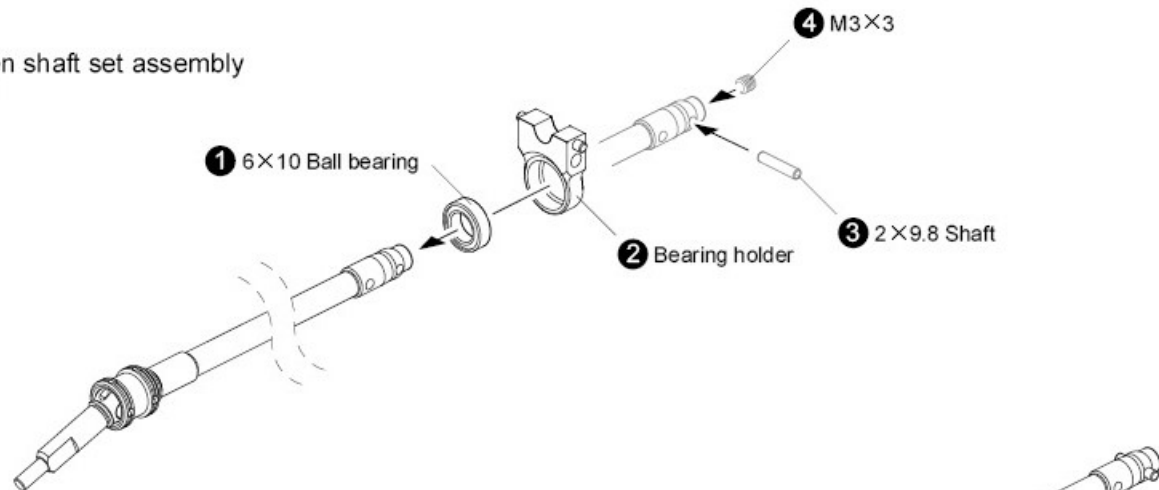
5×10 Ball bearing ×1
培林

4.8×4.5 Copper ball connector ×2
銅製球頭螺絲

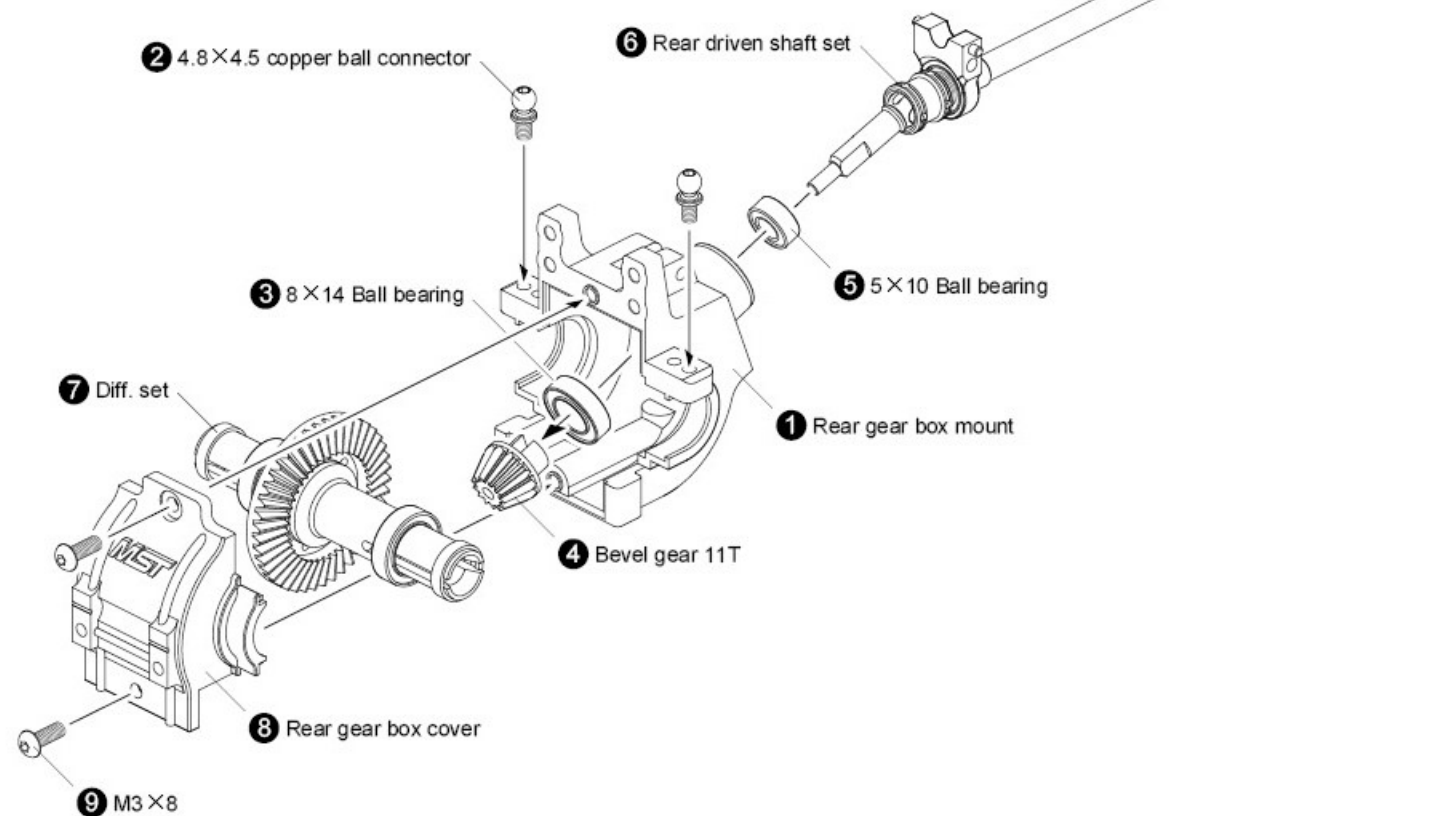


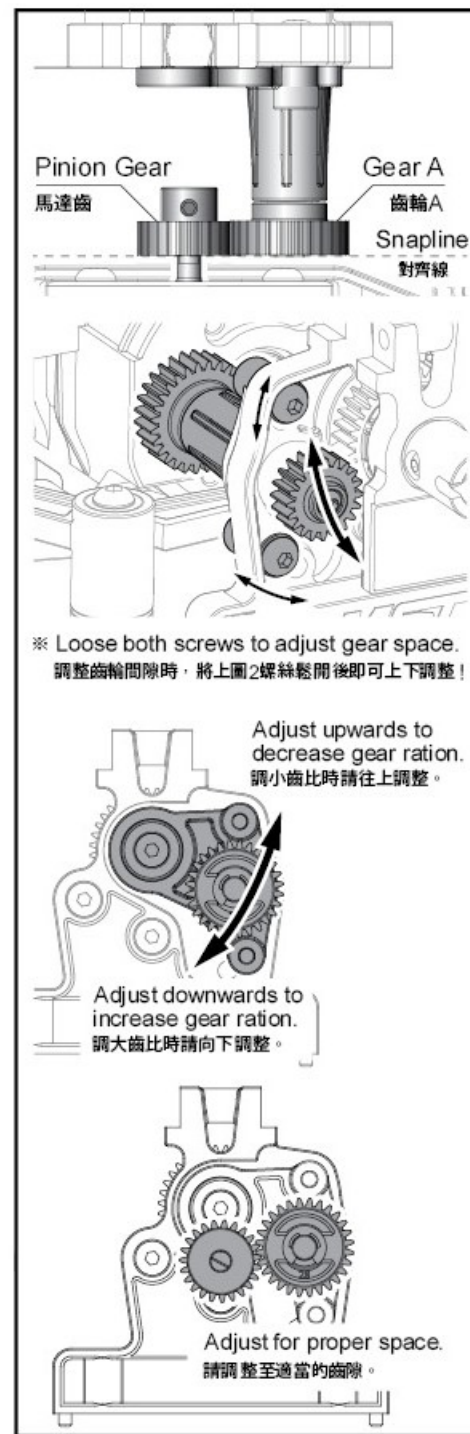
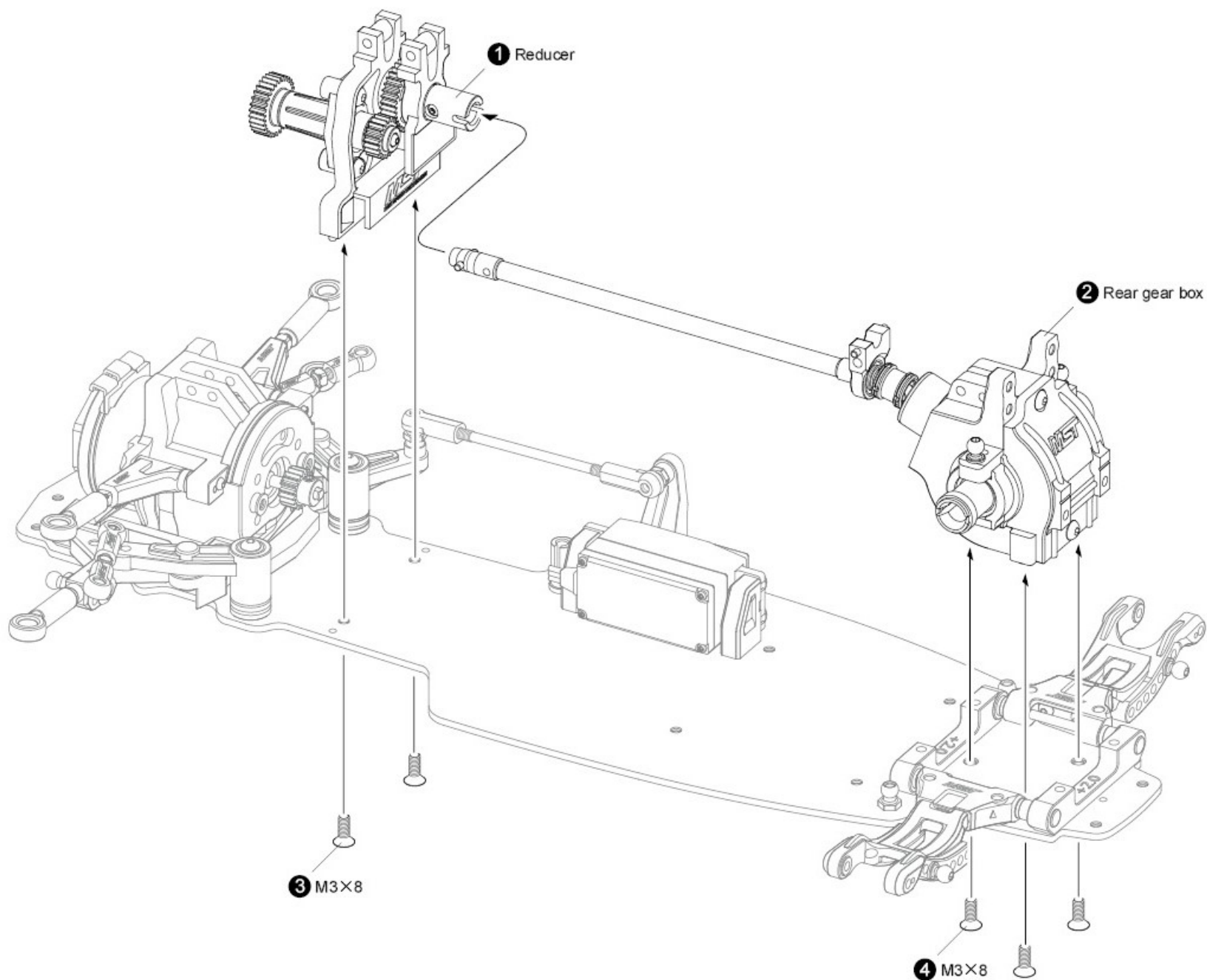
FX Alum. rear driven shaft set ×1
FXX 鋁合金雙節後軸組

STEP 1 Rear driven shaft set assembly
雙節後軸組組裝



STEP 2 Attaching rear gear box
安裝後齒箱



STEP 1 Attaching Reducer / Rear gear box
安裝減速箱 / 後齒箱



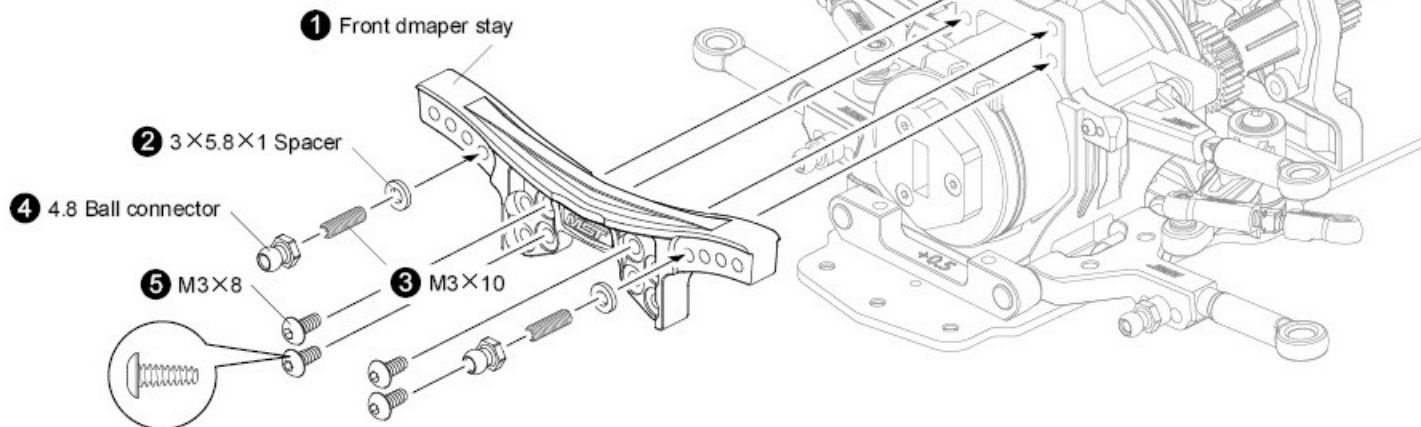
Front damper stay × 1
前避震架



Rear damper stay × 1
後避震架

STEP 1 Attaching front damper stay

安裝前避震架



3×5.8×1 Spacer × 2
墊片

Bag 1

3×5.5×2 Spacer × 2
墊片

Bag 1

4.8 Adjuster M × 8
拉桿頭

4.8 Ball connector × 4
外六角球頭

M3×10 screw × 4
止付螺絲

M3×16 screw × 2
止付螺絲

3×8 screw × 4
自攻螺絲

M3×8 screw × 4
圓頭螺絲

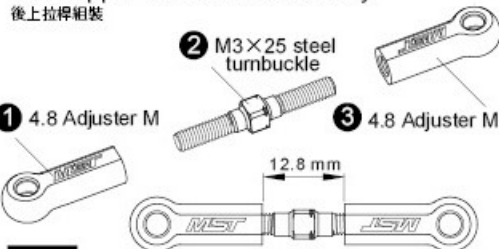
M3×25 Steel turnbuckle × 2
鋼製可調拉桿

STEP 2 Attaching rear damper stay

安裝後避震架

Rear upper turnbuckle assembly

後上拉桿組裝

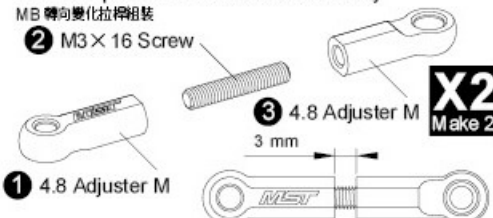


X2
Make 2

※Please take the actual dimensions as the standards.
以實際測量尺寸為準。

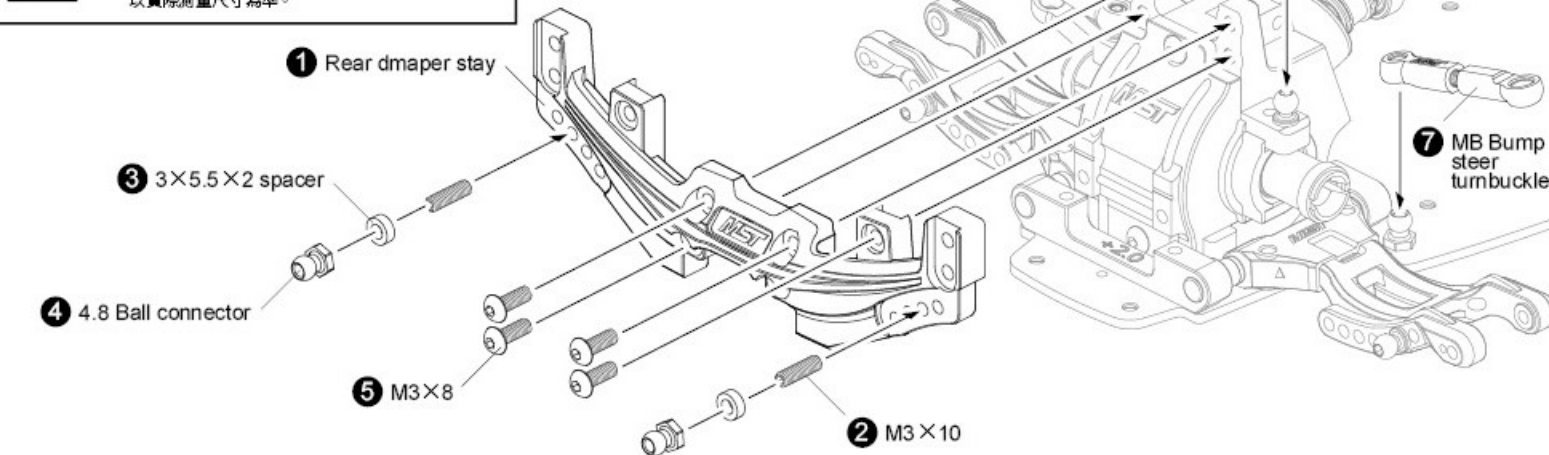
MB Bump steer turnbuckle assembly

MB 轉向變化拉桿組裝



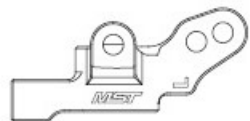
X2
Make 2

※Please take the actual dimensions as the standards.
以實際測量尺寸為準。





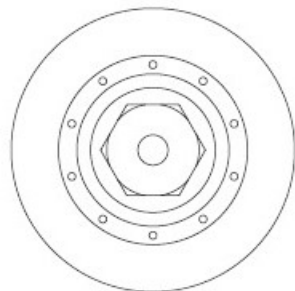
Front upright R × 1
前輪座 R



Front upright L × 1
前輪座 L



Brake calipers × 2
制車卡鉗



Wheel hubs (large)
(brake disc shaped) × 2
六角輪座(大)(制車碟型)



2WD Axle × 2
二驅輪軸



5.8×4 Ball connector L × 4
球頭螺絲(長)



4.8×4.5 Ball connector × 2
球頭螺絲



M2×4 screw × 2
圓頭螺絲



2×9.8 Shaft × 2
插銷

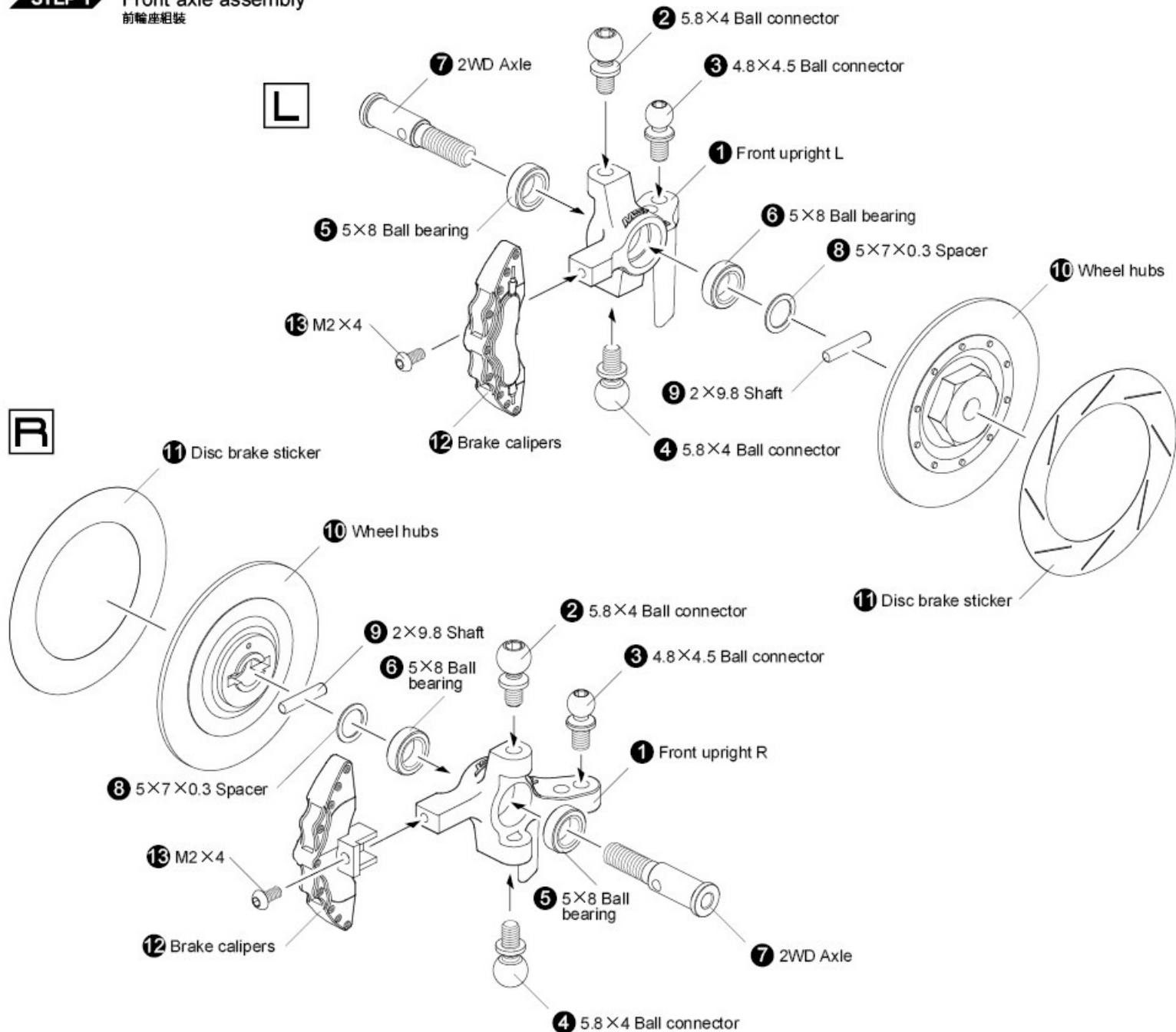


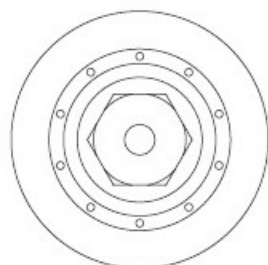
5×8 Ball bearing × 4
培林



5×7×0.3 Spacer × 2
墊片

STEP 1 Front axle assembly
前輪座組裝





Wheel hubs (small) (brake disc shaped) ×2
六角輪座(小)(剎車碟型)



Brake calipers ×2
剎車卡鉗



Rear upright mount ×2
輪座固定座



6×8×1 spacer ×2
墊片



Upright mount cover ×2
固定座下蓋



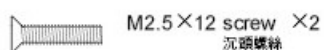
5×10 Ball bearing ×4
培林



6×10 Ball bearing ×4
培林

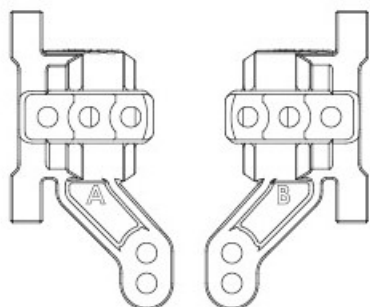


4.8×4.5 Ball connector ×4
球頭螺絲



M2.5×12 screw ×2
沉頭螺絲

※ Please refer to the addendum of MB rear suspension instructions.
MB 後懸吊請閱附件說明。



Rear upright A/B
後輪座 A/B



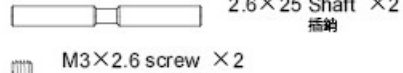
Steel CVD universal shaft 38.5 ×2
鋼製CVD傳動軸 38.5



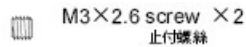
Wheel axle ×2
萬向接杆



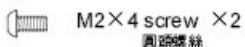
2×9.8 Shaft ×2
插銷



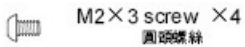
2.6×25 Shaft ×2
插銷



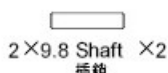
M3×2.6 screw ×2
止付螺絲



M2×4 screw ×2
圓頭螺絲



M2×3 screw ×4
圓頭螺絲

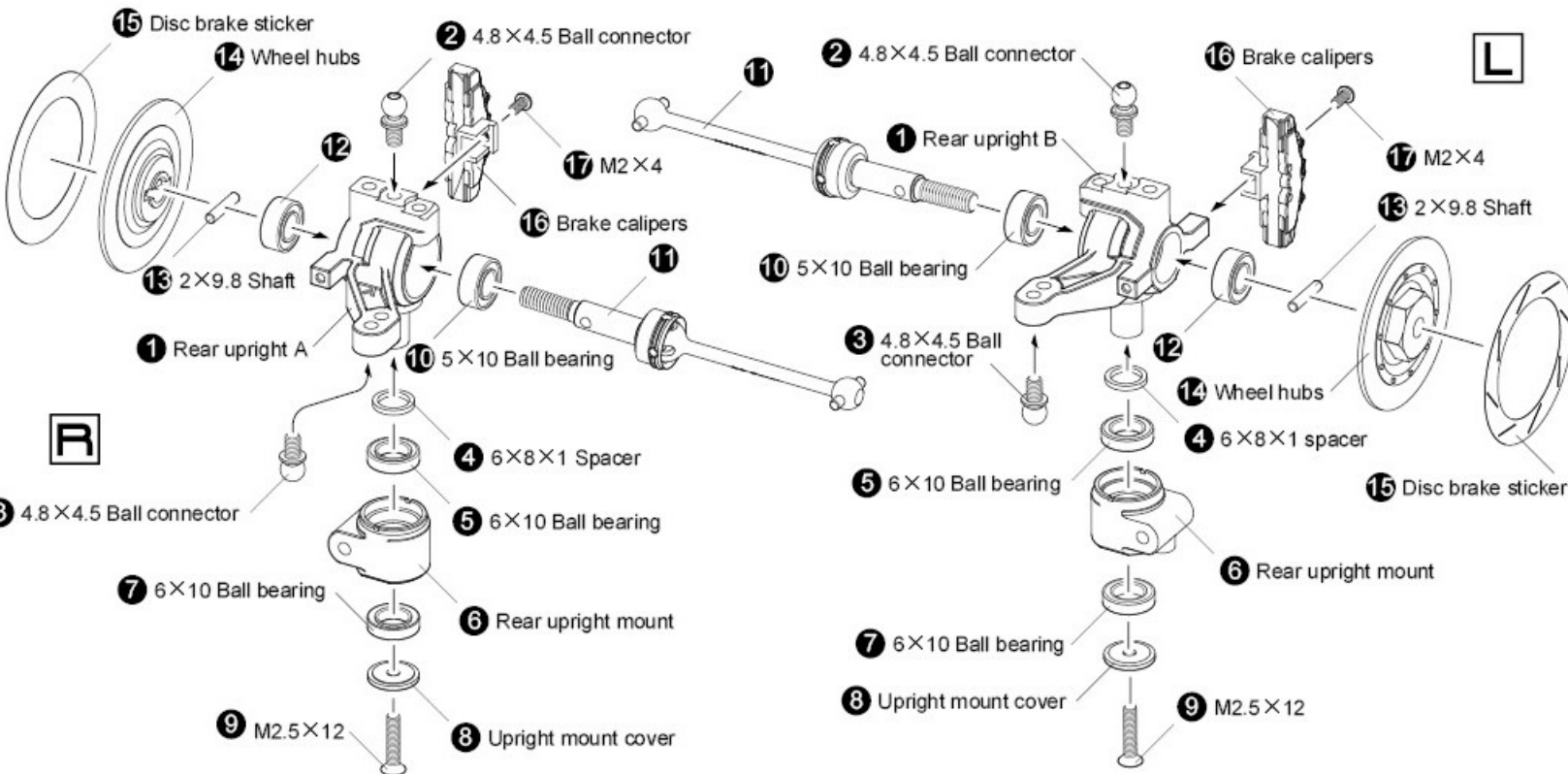


2×9.8 Shaft ×2
插銷

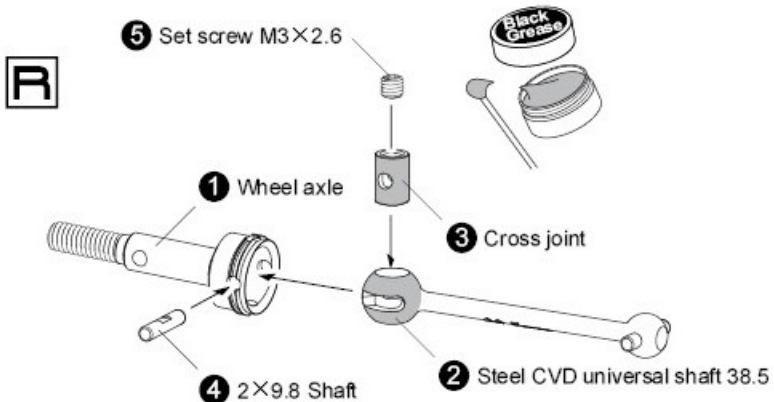


Cross joint ×2
連接軸

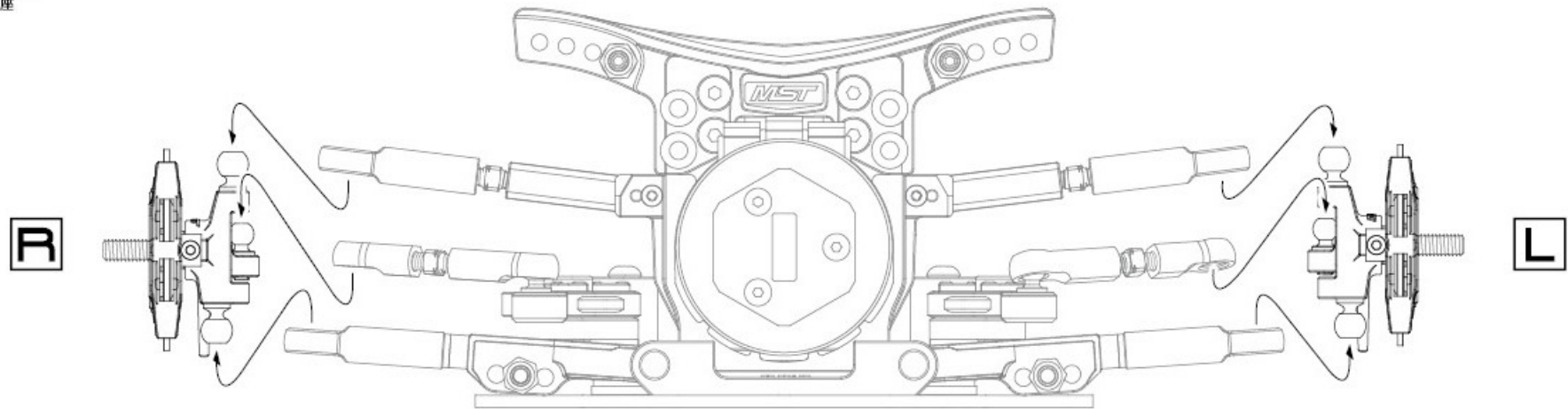
STEP 2



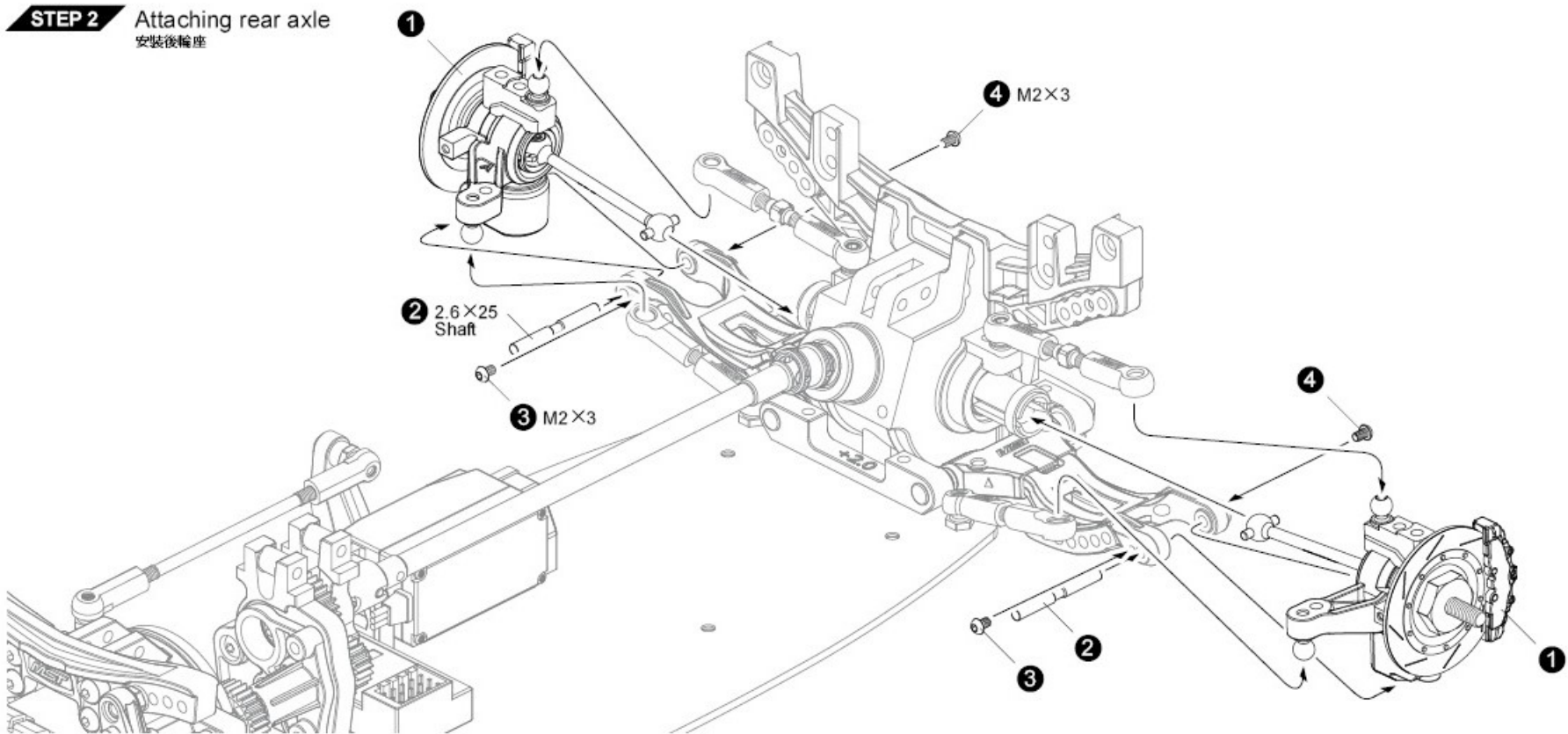
STEP 1 Rear axle assembly
後輪座組裝

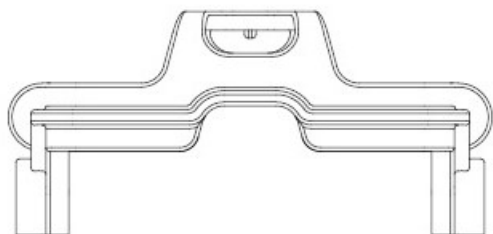


STEP 1 Attaching front axle
安裝前輪座

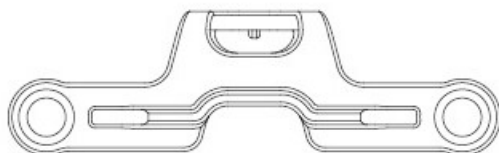


STEP 2 Attaching rear axle
安裝後輪座





Battery mount A ×1
電池座 A



Battery mount B ×1
電池座 B



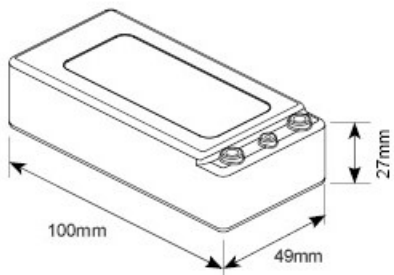
R-clip 5.0 ×2
R銷 5.0



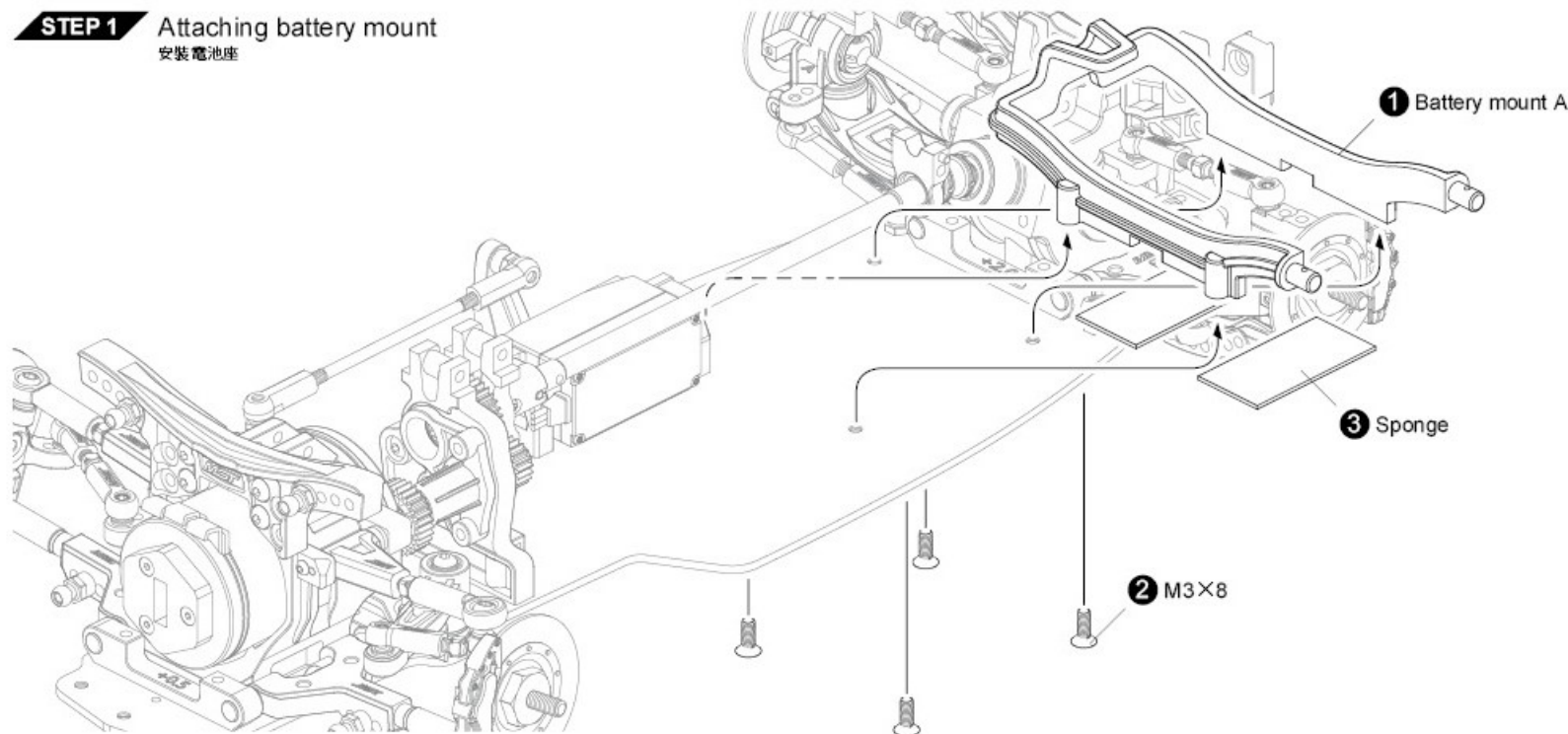
M3×8 screw ×4
沉頭螺絲

The assembly and conservation method may be different by specification of battery.
電池的安裝方式會因廠牌規格而有些微差異，電池的使用方式與保存方式，也會因電池的種類而有所不同。

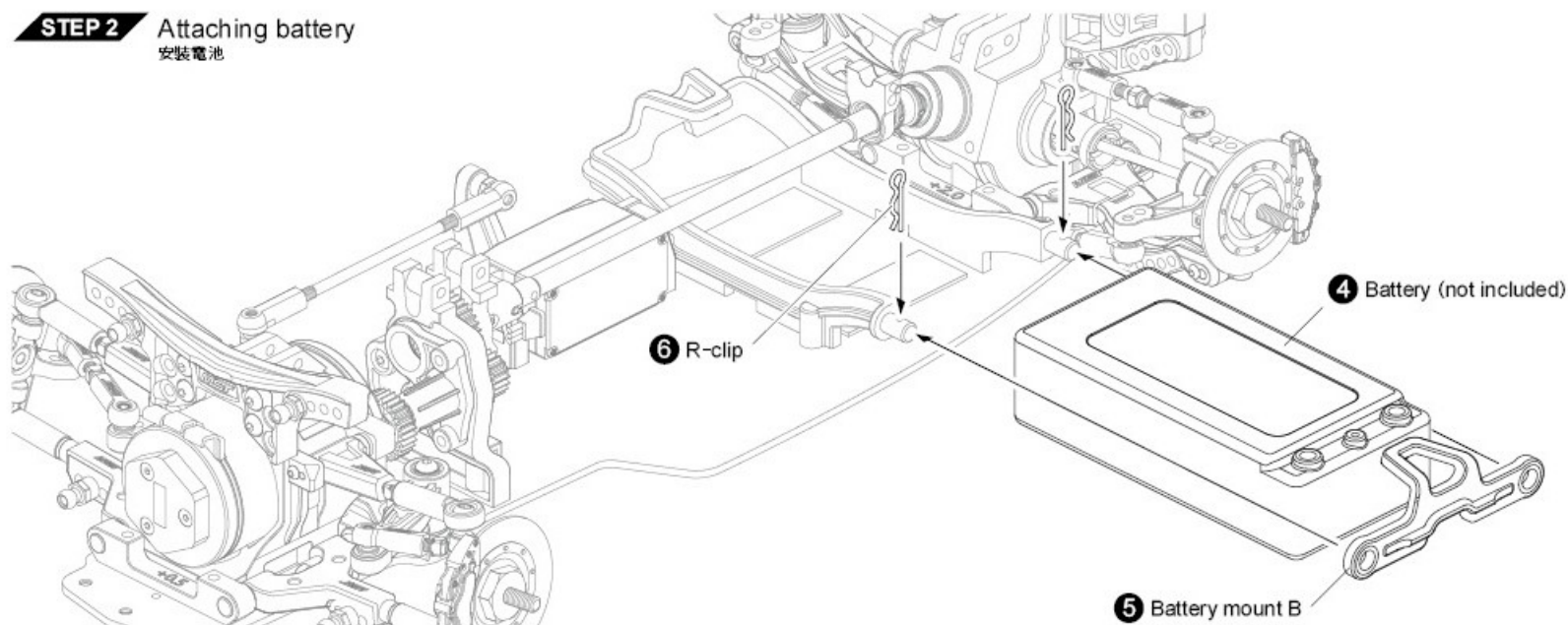
Recommended battery measurement
L100×W49×H27mm (not exceed)
建議安裝 (長100×寬49×高27mm) 尺寸以內的電池！



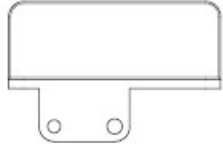
STEP 1 Attaching battery mount
安裝電池座



STEP 2 Attaching battery
安裝電池



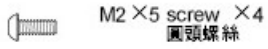
STEP 1 Attaching upper deck
安裝二樓板



Gyro mount ×1
陀螺儀座



Battery presser ×1
電池壓塊



M2 × 5 screw × 4
圓頭螺絲



M2 × 8 screw × 1
圓頭螺絲



3 × 6 screw × 4
自攻圓頭螺絲



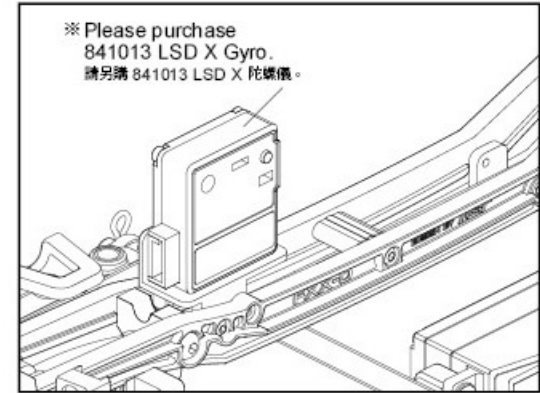
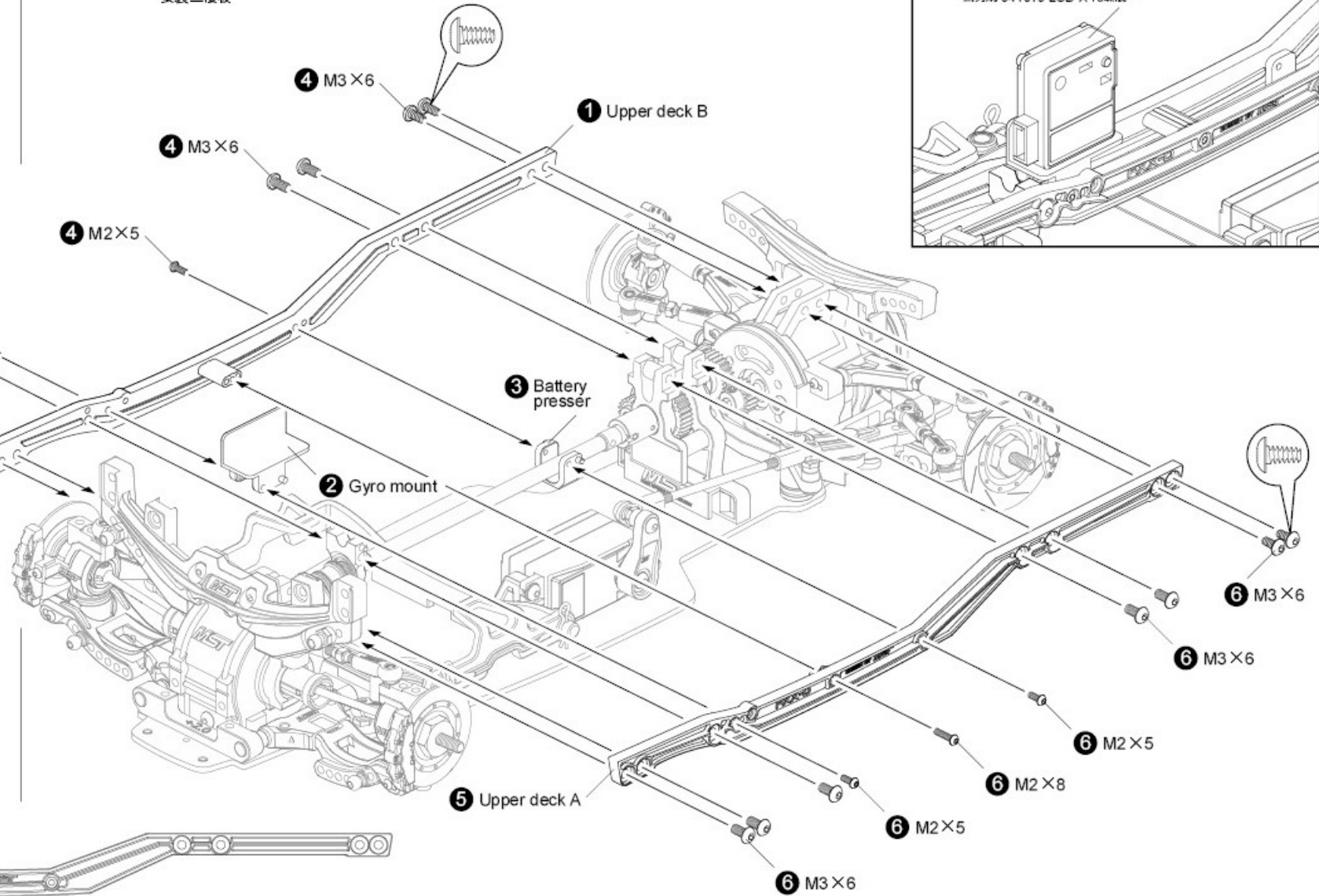
M3 × 6 screw × 10
圓頭螺絲

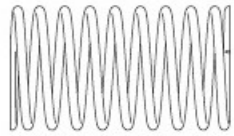


Upper deck A × 1
二樓板 A

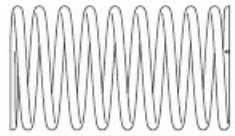


Upper deck B × 1
二樓板 B

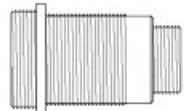




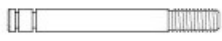
Coil spring 29 mm × 2 (silver)
硬避震彈簧 29mm (銀)



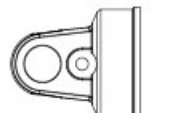
Soft coil spring 31mm × 2 (purple-yellow)
軟避震彈簧 31mm (紫黃)



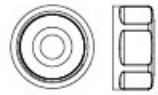
Damper cylinder × 4
避震筒身



Piston rod × 4
避震軸心



Cylinder cap × 4
避震筒上蓋



Rod guide cap × 4
避震器下蓋



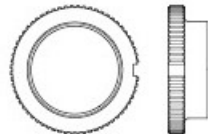
Damper retainer × 4
避震器彈簧座



Oil seal × 4
避震器氣室



Rod guide × 4
避震器下蓋墊片



Spring retainer (red) × 4
避震器調整環 (紅)



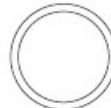
Piston × 4
避震活塞



Damper adjuster × 4
避震器拉桿



10.8×0.9 O-ring × 4
O環



12×1 O-ring × 4
O環



Damper O-ring P3 × 4
避震器O環

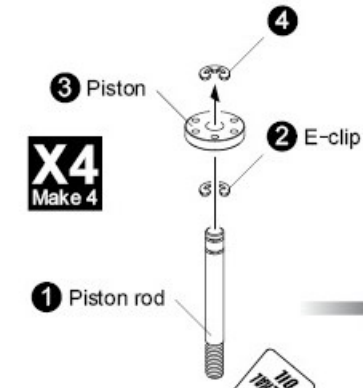


E-clip × 8
E形扣



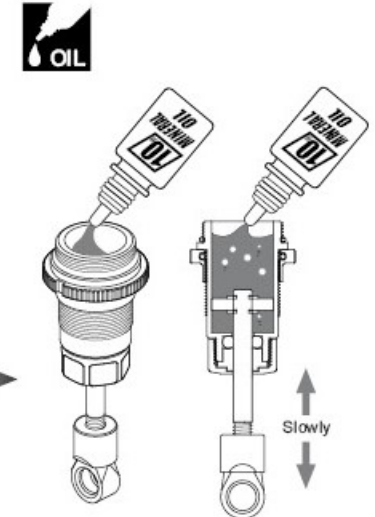
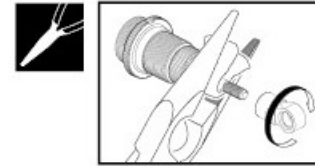
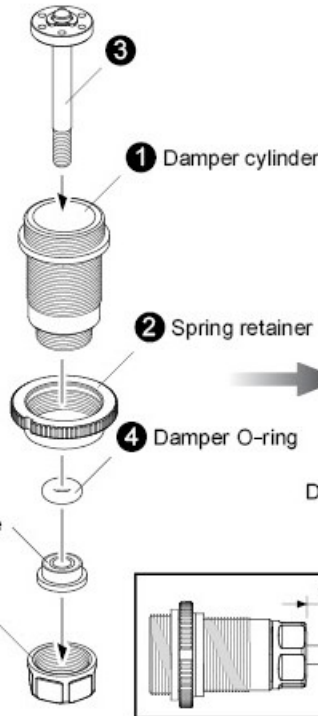
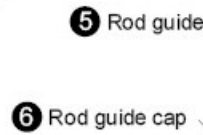
M3×5 screw × 4
沉頭螺絲

STEP 1 Damper assembly
避震器組裝

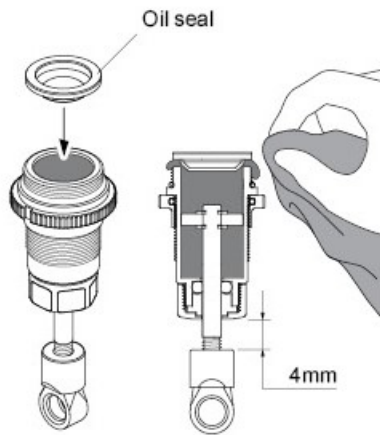


X4
Make 4

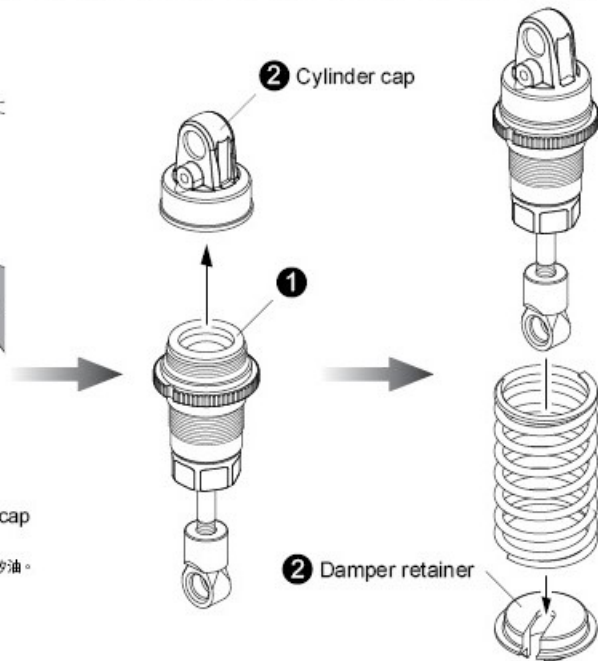
OIL



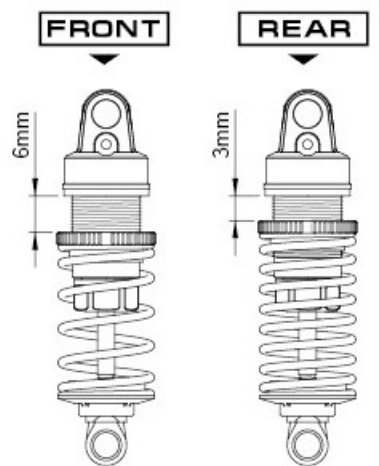
Pull down piston and pour oil into cylinder.
Remove air bubbles by slowly moving piston up and down.
拉下活塞並填入避震油，緩慢上下移動活塞將氣泡移除。



Pull down piston rod 4mm, attach cylinder cap and absorb oil overflow with tissue paper.
將軸心下拉4mm 後，蓋上避震器上蓋並以面紙拭去溢出的油。

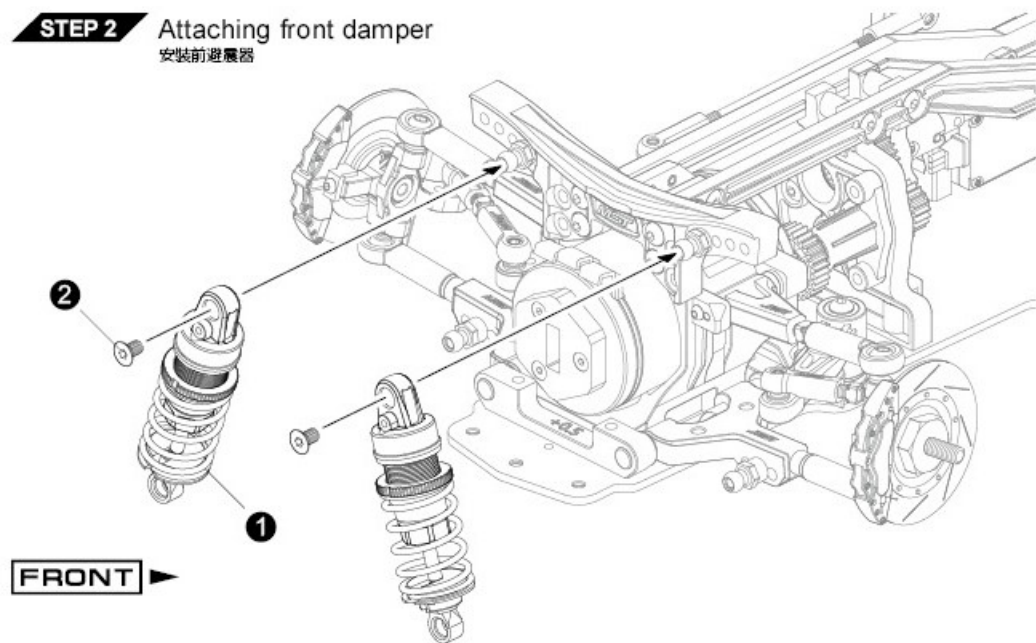


X4
Make 4

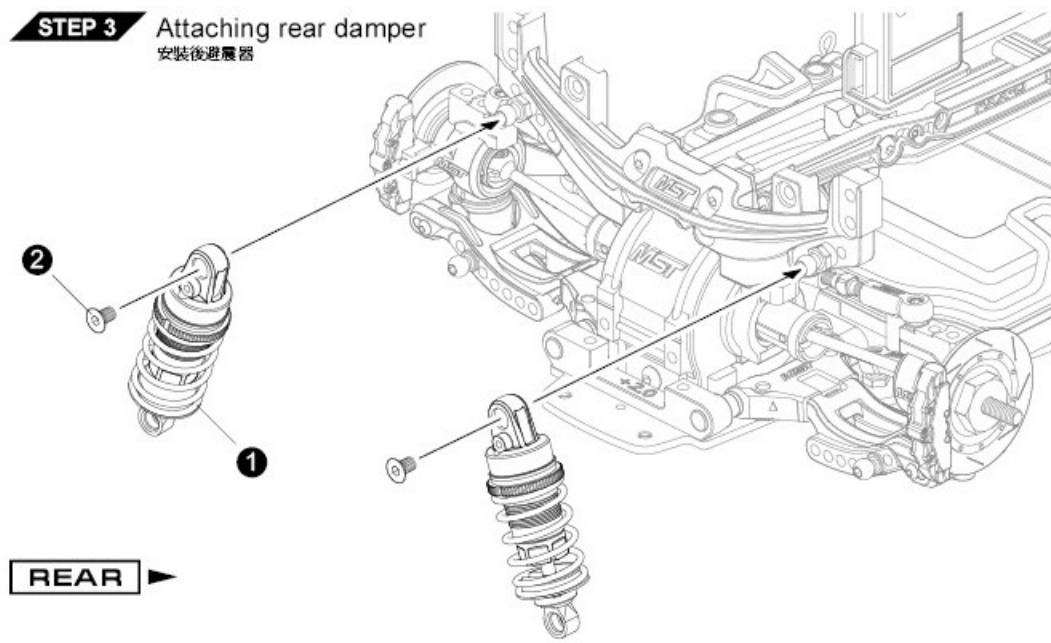


Front - 29mm Silver 前面裝配 29mm 銀色
Rear - 31mm Purple-yellow 後面裝配 31mm 紫黃色

STEP 2 Attaching front damper
安裝前避震器



STEP 3 Attaching rear damper
安裝後避震器



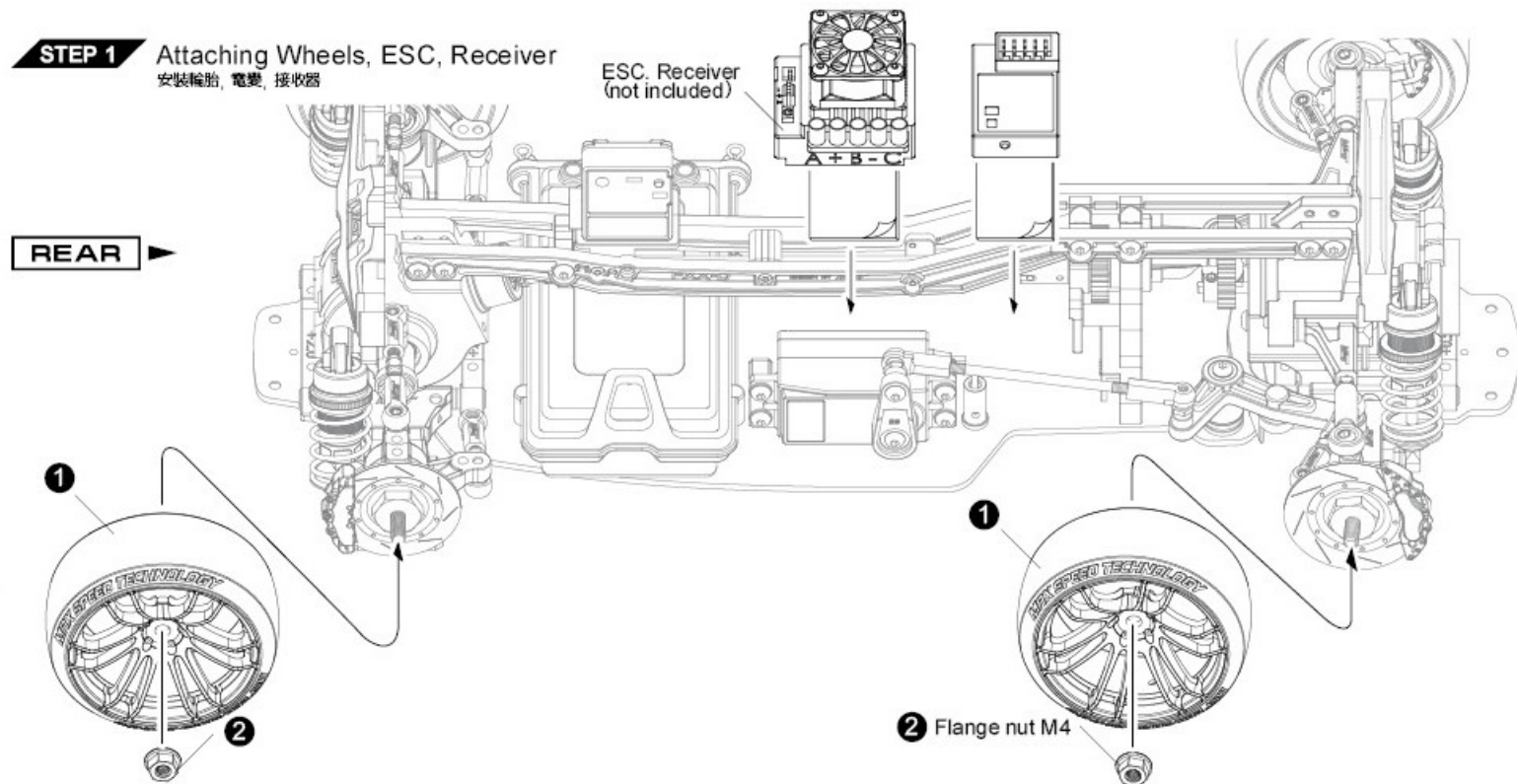
PARTS ← **WHEELS**
輪胎

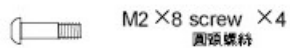
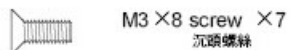
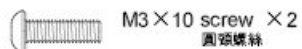
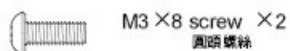
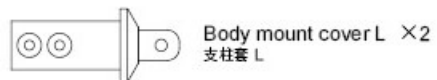
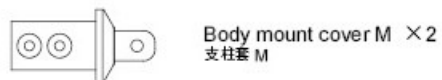
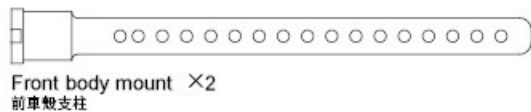


※ NOT including.
Please refer to MST website for the wheel & tire types.
胎惟組須另購，詳情請見官網。
[www.rc-mst.com]

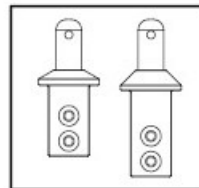
Flange nut M4 × 4
凸緣螺帽 M4
(Tools bag)

STEP 1 Attaching Wheels, ESC, Receiver
安裝輪胎, 電變, 接收器

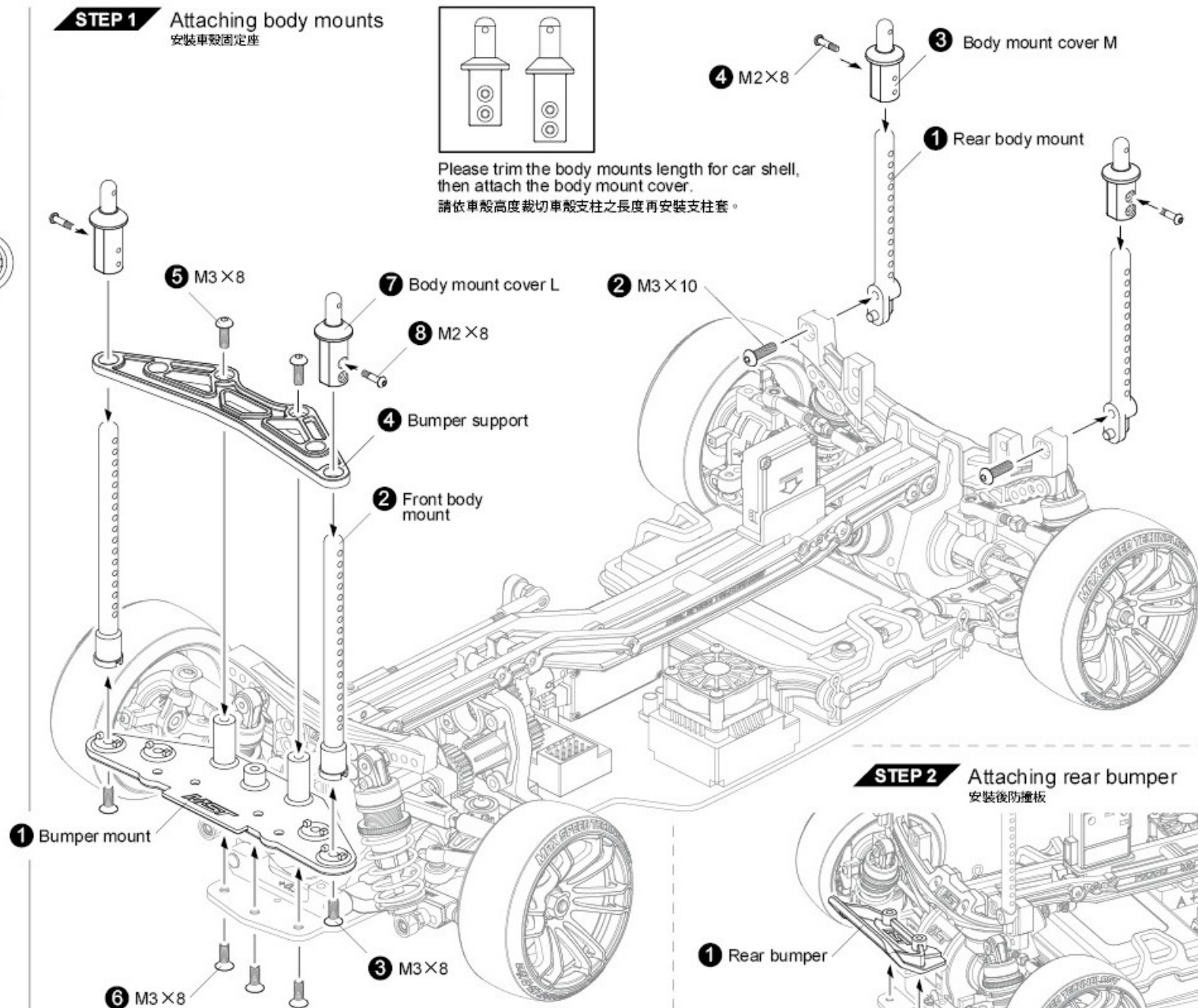




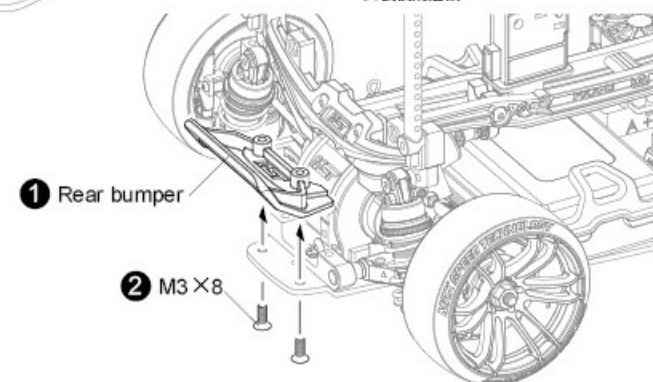
STEP 1 Attaching body mounts
安裝車殼固定座

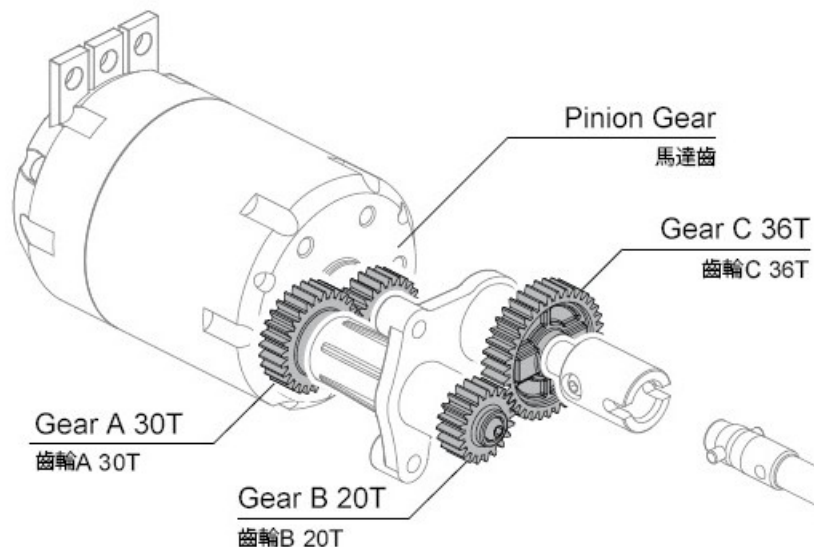


Please trim the body mounts length for car shell, then attach the body mount cover.
請依車殼高度裁切車殼支柱之長度再安裝支柱套。



STEP 2 Attaching rear bumper
安裝後防撞板





	1st Reduction Gear 1次減速齒	2nd Reduction Gear 2次減速齒	3rd Reduction Gear 3次減速齒
PASSIVE GEAR 被動齒	Gear A 齒輪A 30T	Gear C 齒輪C 36T	Big Bevel Gear 大傘齒 42T
ACTIVE GEAR 主動齒	Pinion Gear 馬達齒	Gear B 齒輪B 20T	Small Bevel Gear 小傘齒 11T

※ Please set the gear ration according to motor specifications, environments, and personal requirements.

齒比的選擇會因馬達規格、場地形態、車手手感，而有不同選擇。可先參考當地配置後再選擇齒輪比！

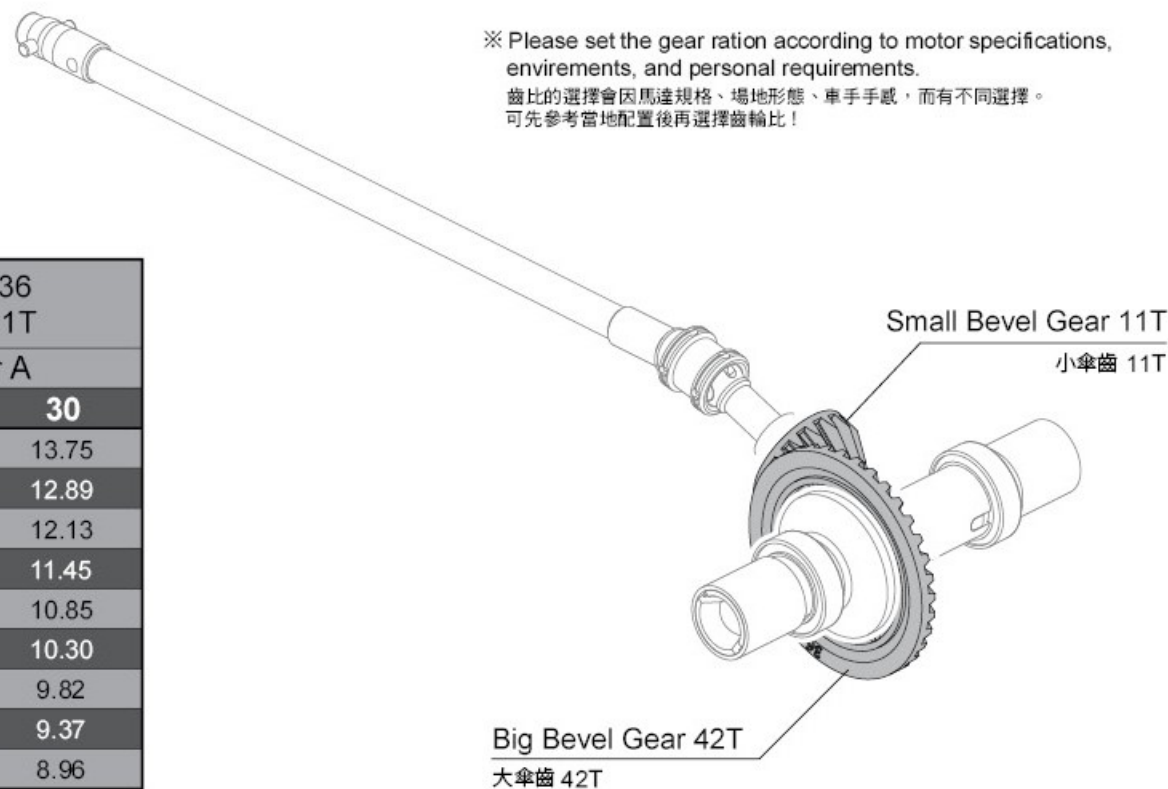
GEAR RATIO 齒比表

Pinion Gear 馬達齒	210035 40T/13T		210036 42T/11T	
	Gear A		Gear A	
	28	30	28	30
15	10.32	11.08	12.83	13.75
16	9.69	10.38	12.03	12.89
17	9.12	9.77	11.32	12.13
18	8.62	9.23	10.69	11.45
19	8.16	8.74	10.13	10.85
20	7.75	8.31	9.62	10.30
21	7.38	7.91	9.16	9.82
22	7.05	7.55	8.75	9.37
23	6.74	7.22	8.37	8.96

※ FORMULA
終傳比計算式

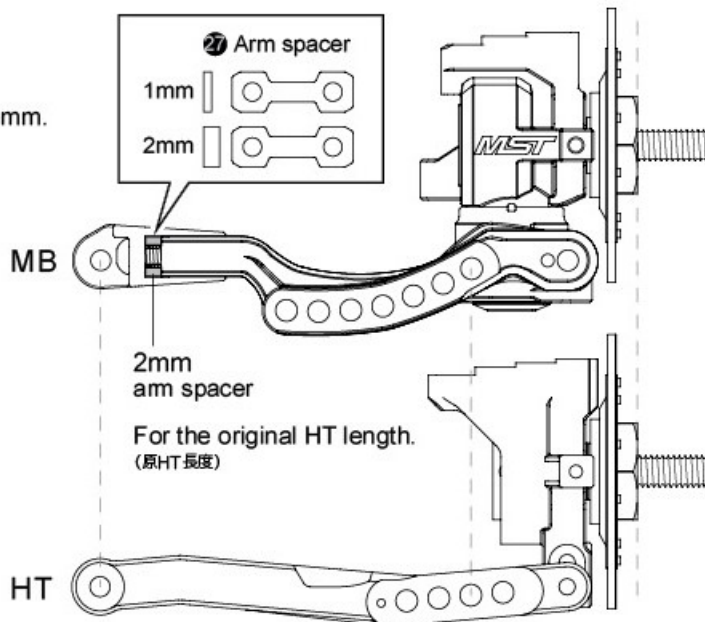
$$\text{Gear A} \times \text{Gear C} \times \text{Big Bevel Gear} \div \text{Gear B} \div \text{Small Bevel Gear} \div \text{Pinion Gear} = \text{Transmission ratio}$$

$$\text{齒輪A} \times \text{齒輪C} \times \text{大傘齒} \div \text{齒輪B} \div \text{小傘齒} \div \text{馬達齒} = \text{終傳比}$$

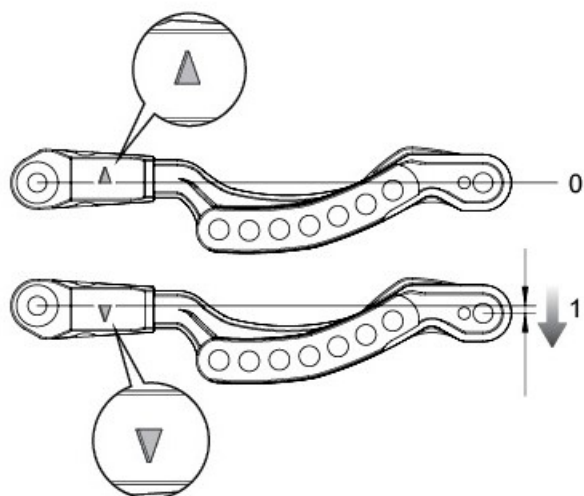


STEP 1 Adjust the arm length 擺臂長度調整

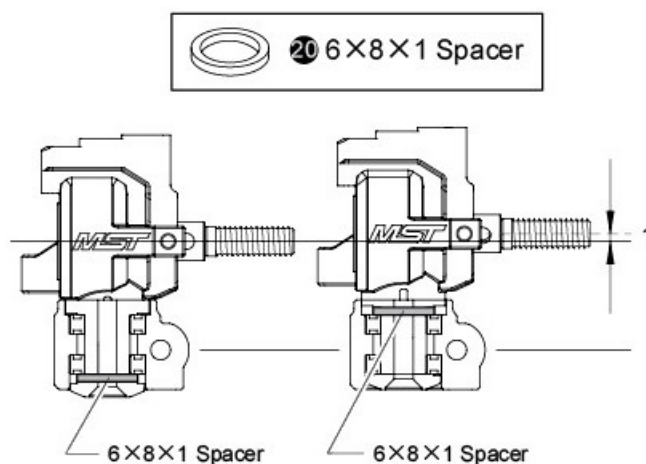
※ Adjustable range of 0-6mm.
可調範圍 0-6mm



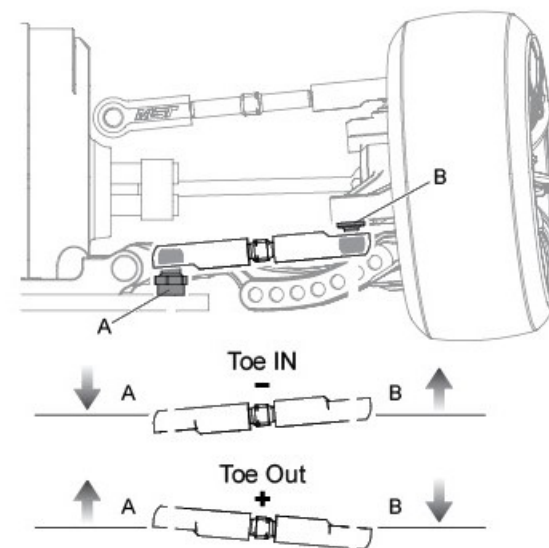
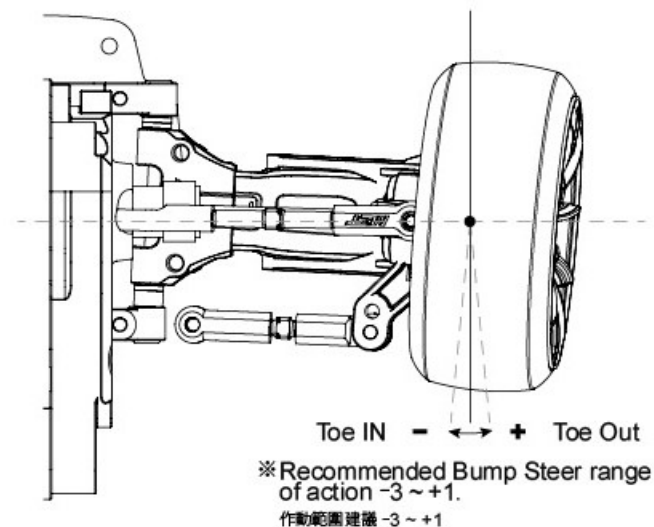
STEP 2 Adjust the arm hingess 擺臂高度調整



STEP 3 Adjust the knuckle highness 輪座高低調整



STEP 4 Adjust the bump steer variation 後輪轉向變化量調整



The variation is larger for the bigger gap between connector A and B

A點球頭與B點球頭位置高低落差越大，後輪轉向變化量越大

DATE: 2020.3.12 SURFACE: Varnishing concrete NOTE: _____

TRACK: MST Station GRIP: Low - grip

Caster

12°
 14°
 16°
 18°

Front upright

0 mm

0 mm

0 mm

Rear upright

FRONT

Tire: CS-R Silver

Wheel: TSP

Offset: +5°

REAR

Tire: CS-R Silver

Wheel: TSP

Offset: +5°

Front suspension

Camber: 5°

Toe-in: 8.8°

0 mm

4 mm

Ride height: 5 mm

GROUND

Rear suspension

Camber: 2°

Toe-in: 1.3°

0 mm

Ride height: 5 mm

GROUND

Rear diff

Ball diff.
 Gear diff
 Alum spool
 Diff oil: _____

Front Suspension mount Rollcenter

+0.5

0 mm

+0.5

0 mm

Rear Suspension mount Rollcenter

0 mm

+2.0

0 mm

+2.0

0 mm

Front damper

Shock oil: #10

Spring: 29 mm ϕ 1.4

Spring color: Silver

Piston: ϕ 1.2 mm

Piston hole: 3

6 mm

64.7 mm

Rear damper

Shock oil: #10

Spring: 31 mm ϕ 1.1

Spring color: Purple-yellow

Piston: ϕ 1.2 mm

Piston hole: 3

3 mm

64.7 mm

For Gear A 28T

3rd Reduction rate. 3次減速比

Pinion Gear 馬達齒	210362 32T/18T 1.78	210026 34T/18T 1.89	210034 36T/17T 2.12	210025 40T/16T 2.50	210035 40T/13T 3.08	210036 42T/11T 3.82
18	4.98	5.29	5.93	7.00	8.62	10.69
19	4.72	5.01	5.62	6.63	8.16	10.13
20	4.48	4.76	5.34	6.30	7.75	9.62
21	4.27	4.53	5.08	6.00	7.38	9.16
22	4.07	4.33	4.85	5.73	7.05	8.75
23	3.90	4.14	4.64	5.48	6.74	8.37

For Gear A 30T (210402)

3rd Reduction rate. 3次減速比

Pinion Gear 馬達齒	210362 32T/18T 1.78	210026 34T/18T 1.89	210034 36T/17T 2.12	210025 40T/16T 2.50	210035 40T/13T 3.08	210036 42T/11T 3.82
16	6.00	6.37	7.15	8.44	10.38	12.89
17	5.64	6.00	6.73	7.94	9.77	12.13
18	5.33	5.67	6.35	7.50	9.23	11.45
19	5.05	5.37	6.02	7.11	8.74	10.85
20	4.80	5.10	5.72	6.75	8.31	10.31
21	4.57	4.86	5.45	6.43	7.91	9.81

Gear A × Gear C × Big Bevel Gear ÷ Gear B ÷ Small Bevel Gear ÷ Pinion Gear = Gear ratio





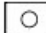









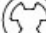
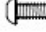



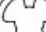

























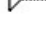











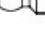












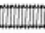





30T × 36T × 42 T ÷ 20T ÷ 11 T ÷ 19 T = 10.85

Motor & ESC: 13.5T、V3.1 Battery: 7.6V、100C

	1st Reduction Gear 1次減速齒	2nd Reduction Gear 2次減速齒	3rd Reduction Gear 3次減速齒
PASSIVE GEAR 被動齒	Gear A 齒輪A 30T	Gear C 齒輪C 36T	Big Bevel Gear 大傘齒 42T
ACTIVE GEAR 主動齒	Pinion Gear 馬達齒	Gear B 齒輪B 20T	Small Bevel Gear 小傘齒 11T

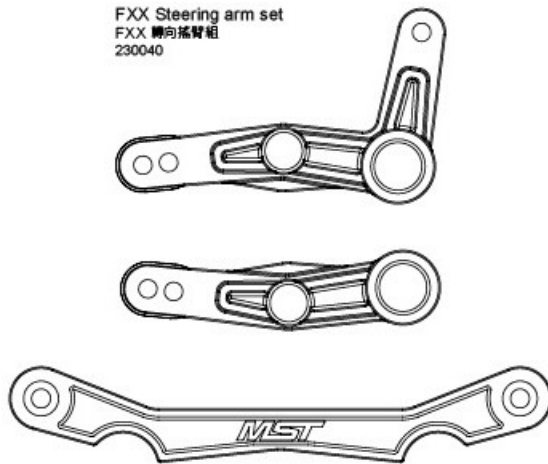
※ Please download the blank setup sheet at [www.rc-mst.com].

PARTS

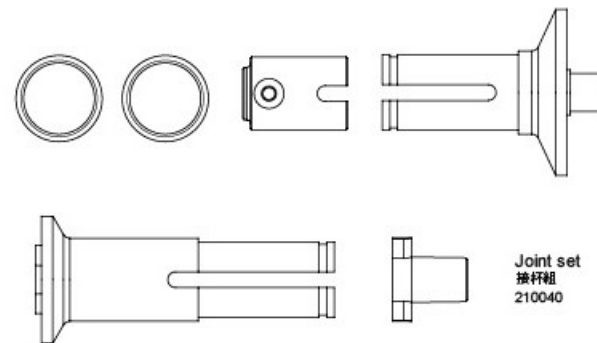
	M2×3 screw ×6 圓頭螺絲 110082		M3×2.6 screw ×2 止付螺絲 110060		3×6×0.5 Spacer ×10 墊片 110047		3×6×2.5 Bearing ×2 軸承 120024		Cross joint ×2 連接軸 820030
	M2×4 screw ×4 圓頭螺絲 110004		M3×3 Screw ×1 止付螺絲 110035		3×8×0.5 Spacer ×1 墊片 110048		5×8×2.5 Bearing ×2 軸承 120017		Diff. spring ×1 差速彈簧 310032
	M2×5 Screw ×4 圓頭螺絲 110050		M3×10 screw ×4 止付螺絲 110032		4×6×0.1 Spacer ×1 墊片 820015		Steel ball 3.0 ×10 鋼球 3.0 110020		E-clip 3.0 ×1 E扣 3.0 110070
	M2×6 screw ×1 圓頭螺絲 110044		M3×16 screw ×2 止付螺絲 110023		4×6×0.3 Spacer ×1 墊片 820017		2.5×6 Thrust bearing ×1 止推培林 120008		E-clip 4.0 ×1 E扣 4.0 110037
	M2×8 screw ×5 圓頭螺絲(半牙) 110045		M2.5×12 Screw ×2 沉頭螺絲 110109		5×7×0.3 Spacer ×2 墊片 820020		1.5×7.8 Shaft ×1 插銷 110059		Flange nut M4 ×4 凸緣螺帽 110015
	M2×8 Screw ×1 圓頭螺絲 110063		M3×5 Screw ×4 沉頭螺絲 110041		10×12×0.1 Spacer ×1 墊片 820022		2×9.8 Shaft ×4 插銷 110017		Diff. plate ×2 差速基板 310033
	M2.5×12 Screw ×4 圓頭螺絲 110065		M3×6 Screw ×1 沉頭螺絲 110024		10×12×0.3 Spacer ×1 墊片 820024		2×11.8 Shaft ×1 插銷 110019		
	M3×6 screw ×15 圓頭螺絲 110001		M3×8 screw ×30 沉頭螺絲 110005		4×8 Ball bearing ×2 培林 120013		2×28 Shaft ×2 插銷 310103		Steering arm post ×2 轉向搖臂支柱 310056
	M3×8 screw ×17 圓頭螺絲 110002		M3×10 Screw ×2 沉頭螺絲 110052		5×8 Ball bearing ×8 培林 120003		2.6×25 Shaft ×2 插銷 310035		2WD Axle ×2 二驅軸 820095
	M3×10 screw ×2 圓頭螺絲 110026		M3×12 Screw ×2 沉頭螺絲 110043		5×10 Ball bearing ×7 培林 120002		4.8×4.5 Ball connector ×12 球頭螺絲 310001		Wheel axle ×2 萬向接杆 310065
	M3×12 Screw ×1 圓頭螺絲 110029		2.6×10 Screw ×1 自攻圓頭螺絲 110025		6×10×2.5 Ball bearing ×4 培林 120025		5.8×4 Ball connector (L) ×4 球頭螺絲(長) 210491		Gear C shaft ×1 終齒軸 210347
	M3×14 screw ×1 圓頭螺絲 110061		3×6 Screw ×4 自攻圓頭螺絲 110022		6×10 Ball bearing ×1 培林 120014		4.8 Ball connector ×9 外六角球頭 210161		Drive gear shaft ×1 驅動齒軸 310052
	M3×16 screw ×2 圓頭螺絲 110066		3×8 Screw ×4 自攻圓頭螺絲 110074		8×14 Ball bearing ×1 培林 120007		4.8 Ball connector L ×1 外六角球頭(長) 210344		Steel CVD universal shaft 38.5 ×2 鋼製CVD傳動軸 38.5 820010
	3×7 Screw ×4 自攻沉頭螺絲 110075		R-clip 5.0 ×10 R-銷 5.0 820075		10×15 Ball bearing ×2 培林 120001		M3×16 Steel tumbuckle ×2 鋼製可調拉桿 810001		
	M2.5×30 screw ×1 有頭螺絲(半牙) 110063						M3×20 Steel tumbuckle ×2 鋼製可調拉桿 810002		
	M3×40 Screw ×2 有頭螺絲(半牙) 110091						M3×25 Steel tumbuckle ×2 鋼製可調拉桿 810003		
	3×60 拉桿 ×1 Threaded shaft 310002						FXF Alum. rear driven shaft set FXF 鋁合金雙節後軸組 (210442)		

PARTS

FXX Steering arm set
FXX 轉向搖臂組
230040

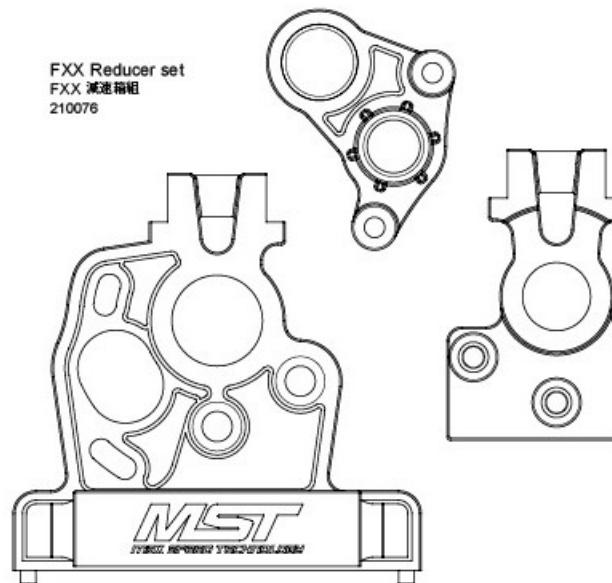


Steering joint plate × 1
轉向連接板

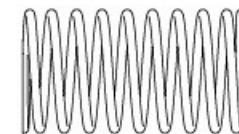
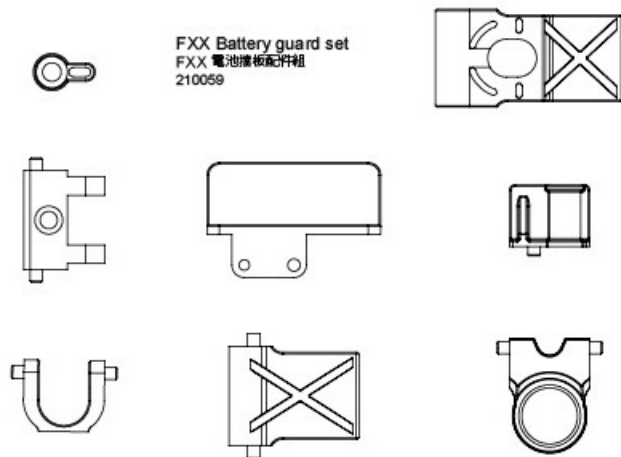


Joint set
接杆組
210040

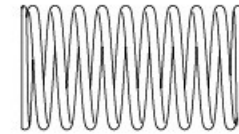
FXX Reducer set
FXX 減速箱組
210076



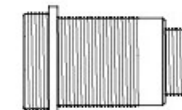
FXX Battery guard set
FXX 電池擋板配件組
210059



Coil spring 29mm (silver) × 2
避震彈簧 29mm (銀)
820114



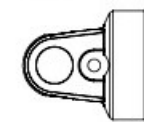
Soft coil spring 31mm × 2
(purple-yellow)
軟避震彈簧 31mm (紫黃)
820104



Damper cylinder × 4
避震筒身
210071



Piston rod × 4
避震軸心
310008



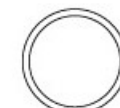
Cylinder cap × 4
避震器上蓋
210057

Piston spacer set × 4
避震器活塞墊片組
210235

Damper adjuster × 4
避震器拉桿
820079



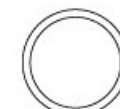
Rod guide cap × 4
避震器下蓋
210057



10.8 X 0.9 O-ring × 4
O環
130032



Damper retainer × 4
避震器彈簧座
820079



12 X 1 O-ring × 4
O環
130049



Oil seal × 4
避震器風室
130004



Spring retainer (red) × 4
避震器鋼彈環 (紅)
310106R

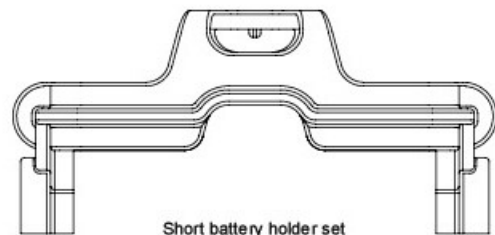
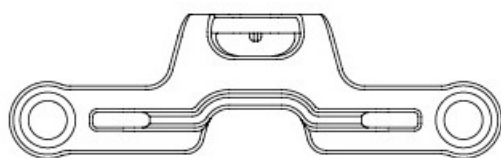


Piston spacer set × 4
避震器活塞墊片組
210235

E-clip × 8
E形扣
110013

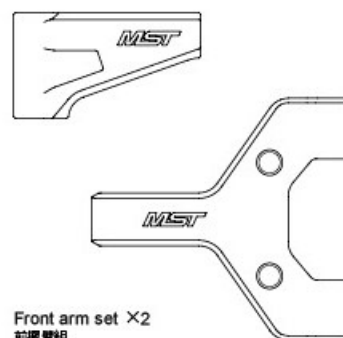
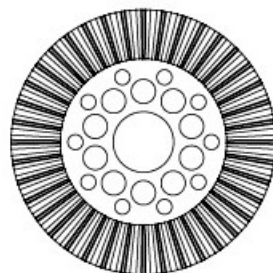
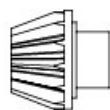
Damper O-ring P3 × 4
避震器O環
130028

PARTS

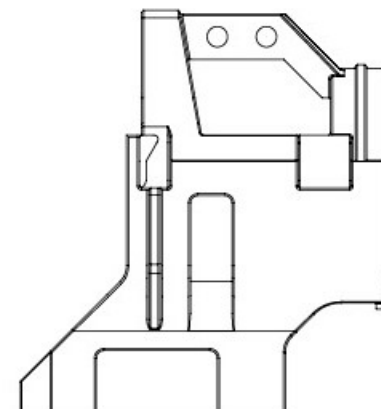


Short battery holder set
短電池座組
210541

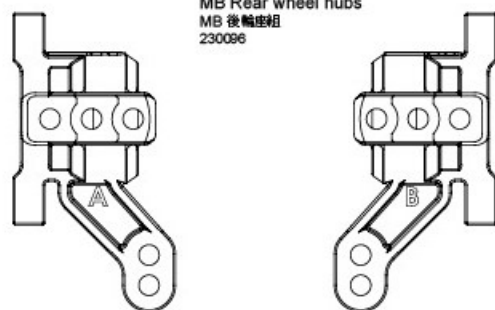
Bevel gear set 42-11
傘齒組 42-11
210036



Front arm set ×2
前臂臂組
230062



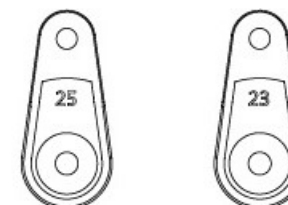
Motor mount ×1
馬達座
230129



MB Rear wheel hubs
MB 後輪齒組
230096

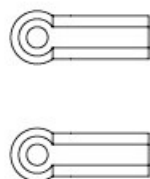
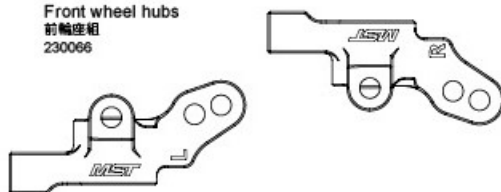


4.8 Rod ends set (M/S) ×2
4.8 拉桿頭組 (M/S)
230067



Servo horn set (long) (25T/23T) ×1
伺服機舵片組(長) (25T/23T)
210033

Front wheel hubs
前輪座組
230066



Reinforced adjuster set 4.8
強化拉桿頭組
210047

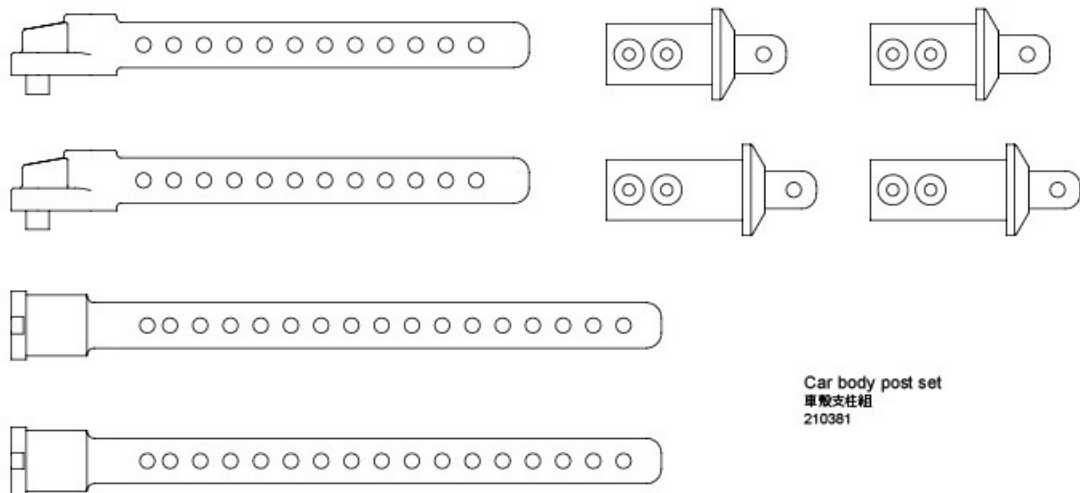


Antenna holder ×1
天線管座
210038

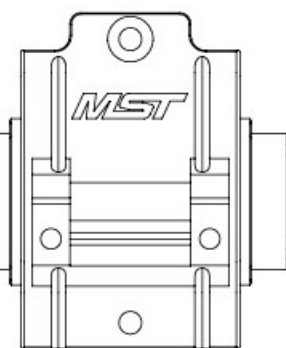
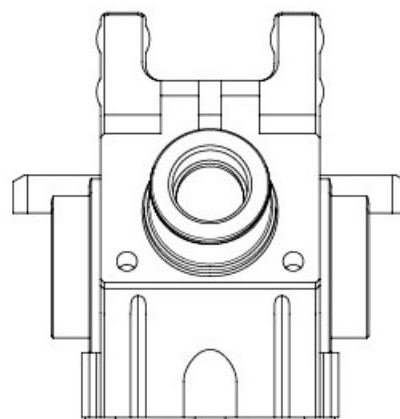


Gear A 30T
齒輪 A 30T
210402

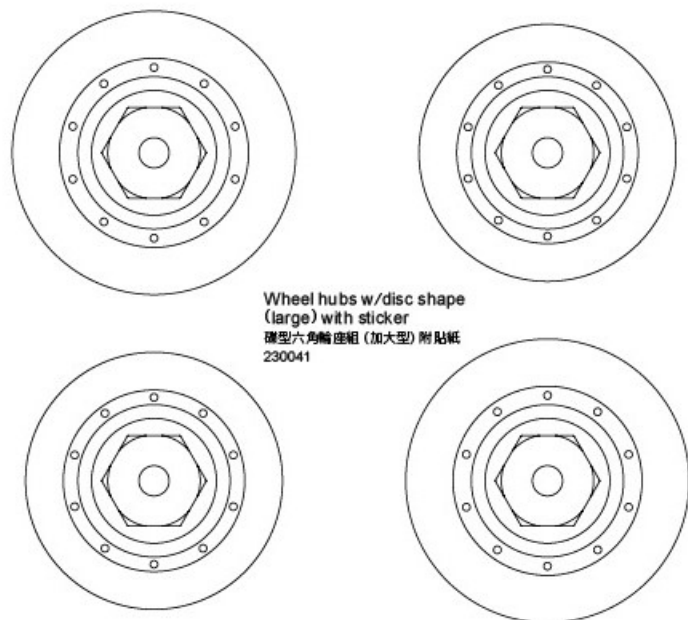
PARTS



Car body post set
車殼支柱組
210381



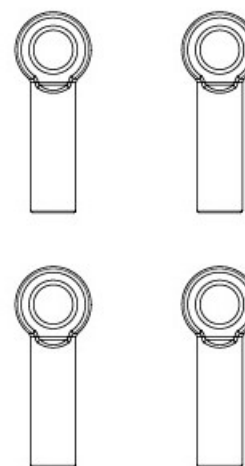
FXX Rear gear box set
FXX 後齒箱組
210077



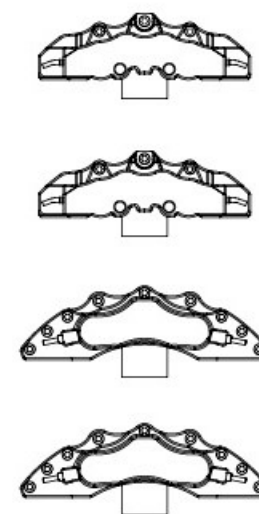
Wheel hubs w/disc shape
(large) with sticker
碟型六角輪座組 (加大型) 附貼紙
230041



FXX Reduction gear set
FXX 減速齒組
210080

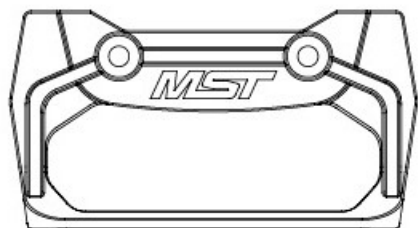
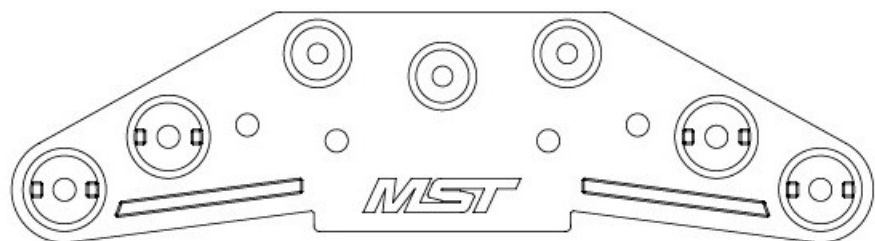
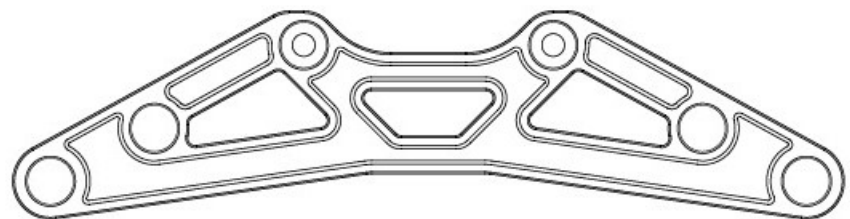


5.8×26 Reinforced adjuster set
強化拉桿調整組
210031

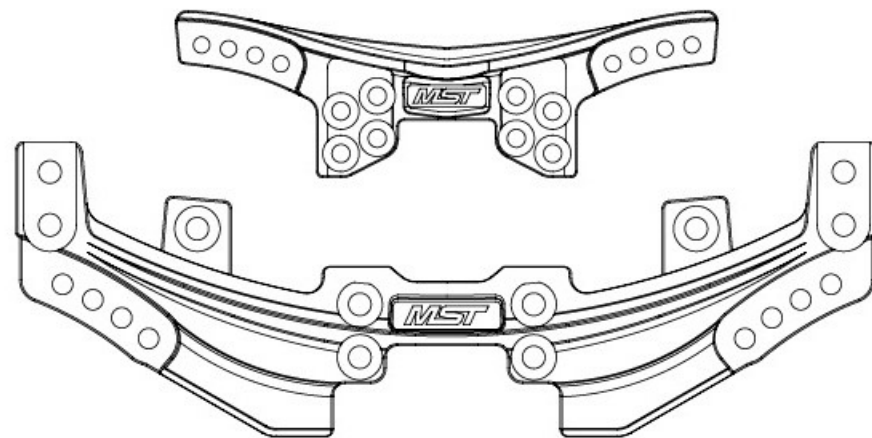


Enlarged brake calipers (red)
加大剎車卡鉗 (紅)
210510CR

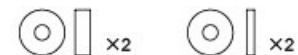
PARTS



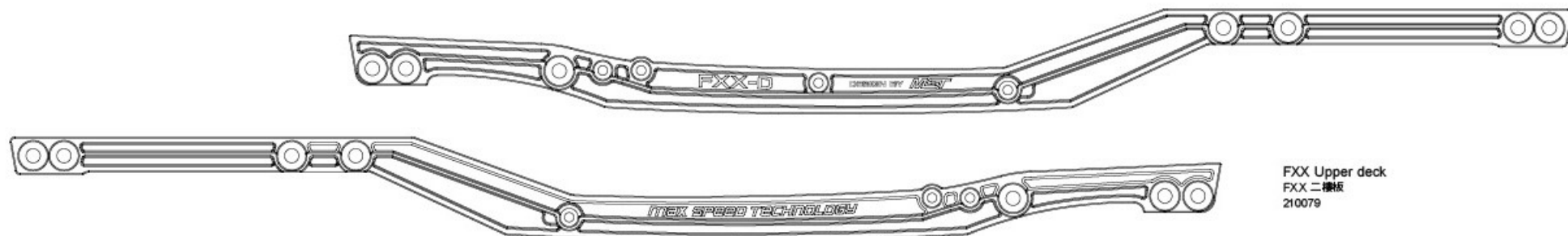
F & R Bumper set
前後的撞板組
230121



FXX FSX F&R damper stay
FXX FSX 前後避震架
230013

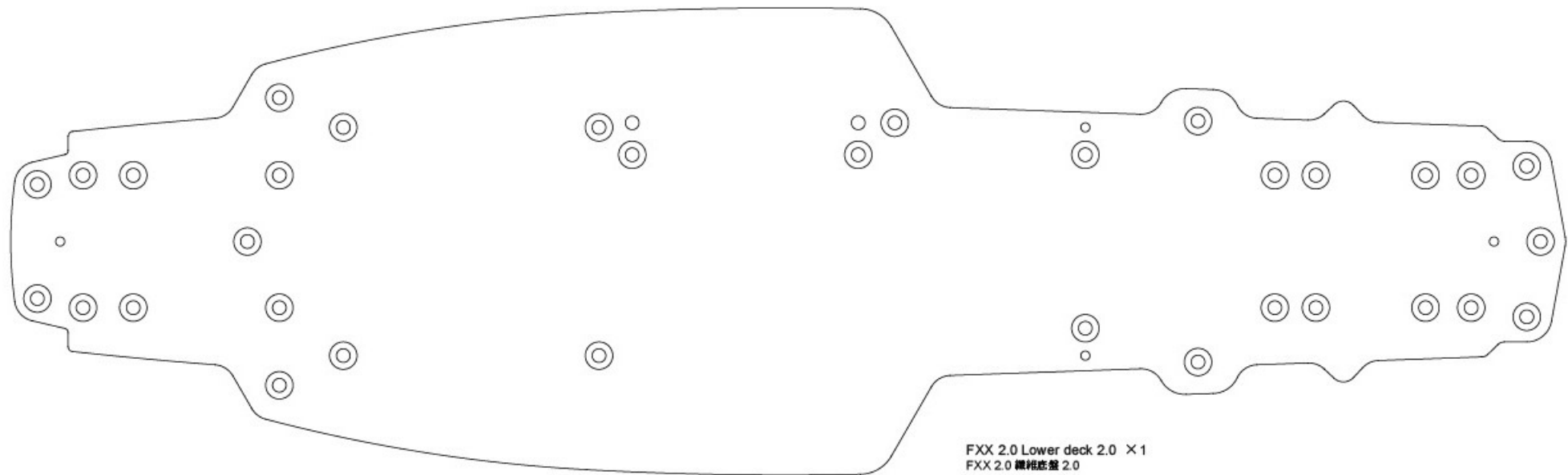


Shaft bush & spacer set
襯套墊片組
230070

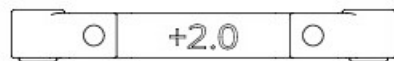


FXX Upper deck
FXX 二樓板
210079

PARTS



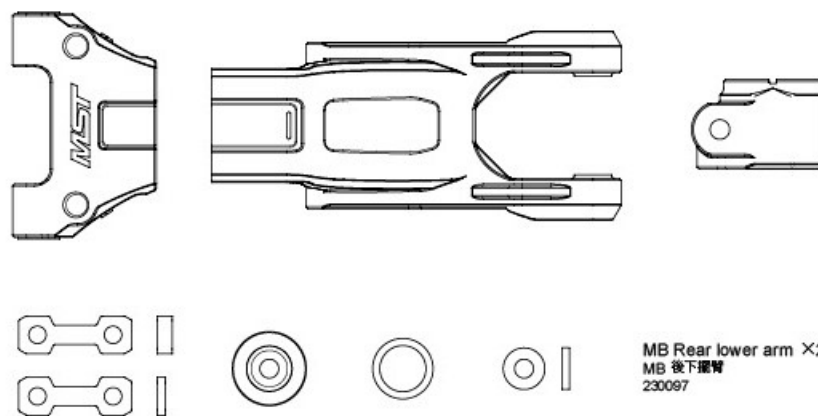
FXX 2.0 Lower deck 2.0 ×1
FXX 2.0 纖維底盤 2.0
210628



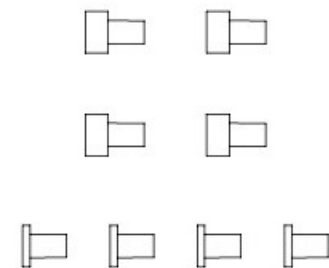
Suspension mount (+2.0) ×2
下擺臂座 (+2.0)
210085



Lower arm mount +0.5 ×2
下擺臂座組 +0.5
210084



MB Rear lower arm ×2
MB 後下擺臂
230097



Shaft bush & spacer set (white)
襯套墊片組 (白)
210063(W)

PARTS CODE

110001	Round head screw M3×6 (10)	110060	Set screw M3×2.6 (10)	210057	Damper cap set	230097	MB Rear lower arm
110002	Round head screw M3×8 (10)	110061	Round head screw M3×14 (6)	210059	FXX Battery guard set	230121	F & R Bumper set
110004	Round head screw M2×4 (6)	110063	Round head screw M2×8 (6)	210063W	Shaft bush & spacer set (white)	230129	FXX 2.0 Motor mount set
110005	Countersunk screw M3×8 (10)	110065	Round head screw M2.5×12 (6)	210071	Damper cylinder (2)	310001	Ball connector 4.8×4.5 (5)
110013	E-clip 2.0 (10)	110070	E-clip 3.0 (10)	210076	FXX Reducer set	310002	Threaded shaft 3×60
110015	Flange nut M4 (4)	110074	Tapping round head screw 3×8 (10)	210077	FXX Rear gear box set	310008	Piston rod (4)
110017	Shaft 2×9.8 (10)	110075	Tapping flat head screw 3×7 (10)	210079	FXX Upper deck	310032	Diff. screw & spring set
110019	Shaft 2×11.8 (5)	110077	Round head screw M2×3 (6)	210080	FXX Reduction gear set	310033	Diff. plate (2)
110019	Shaft 2×11.8 (5)	110086	Round head screw M3×16 (6)	210084	Suspension mount +0.5	310035	Lower arm shaft 2.6×22&25 (each one pair)
110020	Steel ball 3.0 (13)	110091	Cap screw M3×40 (6)	210085	Suspension mount +2.0	310048	Arm shaft 2.5×46 (4)
110022	Tapping round head screw 3×6 (6)	120001	Ball bearing 10×15 (4)	210161	Ball connector nut 4.8 (4)	310052	FXX Drive gear shaft
110023	Set screw M3×16 (6)	120002	Ball bearing 5×10 (4)	210235	Piston spacer set	310056	FXX Steering arm post
110024	Countersunk screw M3×6 (10)	120003	Ball bearing 5×8 (4)	210344	Ball connector nut L 4.8 (4)	310065	Wheel axle (2)
110025	Tapping round head screw 2.6×10 (6)	120007	Ball bearing 8×14 (2)	210347	FXX Drive gear shaft	310103	Arm shaft 2×28 (2)
110026	Round head screw M3×10 (10)	120008	Thrust bearing 2.5×6	210381	Car body post set	310106R	Spring retainer (red) (2)
110029	Round head screw M3×12 (6)	120013	Ball bearing 4×8×3 (2)	210402	FXX Gear A 30T	810001	Steel reinforced turnbuckle 3×16 (2)
110032	Set screw M3×10 (6)	120014	Ball bearing 6×10×3 (2)	210442R	FXX Strengthen high gear ratio rear drive shaft set (red)	810002	Steel reinforced turnbuckle 3×20 (2)
110035	Set screw M3×3 (6)	120017	Bearing 5×8 (4)			810003	Steel reinforced turnbuckle 3×25 (2)
110037	E-clip 4.0 (10)	120024	Bearing 3×6×2.5 (4)	210491	Ball connector L 5.8×4 (4)	820010	Steel CVD great angle universal shaft 38.5 (2)
110041	Countersunk screw M3×5 (10)	120025	Ball bearing 6×10×2.5 (2)	210510CR	Enlarged brake calipers (red) (4)	820015	Spacer 4×6×0.1 (8)
110043	Countersunk screw M3×12 (10)	130004	Oil seal (4)	210541	Short battery holder set	820017	Spacer 4×6×0.3 (8)
110044	Round head screw M2×6 (6)	130028	Damper O-ring P3 (blue) (10)	210628	FXX 2.0 S Lower deck 2.0	820020	Spacer 5×7×0.3 (8)
110045	Round head screw M2×8 (partial thread) (6)	130032	Damper cap O-ring (10)	230013	FXX FSX F&R damper stay	820022	Spacer 10×12×0.1 (8)
110046	Shaft 2×9.8 (8)	130049	O-ring 12×1×1 (4)	230040	FXX Steering arm set	820024	Spacer 10×12×0.3 (8)
110047	Spacer 3×6×0.5 (8)	210031	Reinforced adjuster set 5.8×26	230041	Wheel hubs w/disc shape (large)	820030	Cross joint (2)
110048	Spacer 3×8×0.5 (8)	210033	Servo horn set (long) (23T/25T)	230062	Front arm set	820075	R-clip 5.0 (10)
110050	Round head screw M2×5 (6)	210036	Bevel gear set 42-11	230066	ATK Front wheel hubs	820079	Damper plastic maintenance set (2)
110052	Countersunk screw M3×10 (10)	210038	Antenna holder	230067	4.8 Rod ends set (M/S)	820095	AKM 2WD axle (2)
110053	Cap screw M2.5×30 (2)	210040	Joint set	230070	Shaft bush & spacer set	820104	31mm Soft coil spring set (8)
110059	Shaft 1.5×7.8 (8)	210047	Reinforced adjuster set 4.8×18 (8)	230096	MB Rear wheel hubs	820114	29mm Coil spring set (8)

部品編號

110001	六角半圓頭螺絲 M3×6 (10)	110060	六角止付螺絲 M3×2.6 (10)	210057	避震器上下蓋組	230121	前後防撞板組
110002	六角半圓頭螺絲 M3×8 (10)	110061	六角半圓頭螺絲 M3×14 (6)	210059	FXX電池擋板配件組	230129	FXX 2.0 馬達座
110004	六角半圓頭螺絲 M2×4 (6)	110063	六角半圓頭螺絲 M2×8 (6)	210063W	襯套墊片組 (白)	310001	內六角公球頭 4.8×4.5 (5)
110005	六角沉頭螺絲 M3×8 (10)	110065	六角圓頭螺絲 M2.5×12 (6)	210071	避震器筒身 (2)	310002	拉桿 3×60
110013	E扣 2.0 (10)	110070	E扣 3.0 (10)	210076	FXX 減速箱組	310008	避震軸心 (4)
110015	凸緣螺帽 M4 (4)	110074	自攻六角半圓頭螺絲 3×8 (10)	210077	FXX 後齒箱組	310032	滾差彈簧螺絲組
110017	插銷 2×9.8 (10)	110075	自攻六角沉頭螺絲 3×7 (10)	210079	FXX 二樓板	310033	滾差墊板 (2)
110019	插銷 2×11.8 (5)	110077	十字半圓頭螺絲 M2×3 (6)	210080	FXX 減速箱組	310035	下擺臂插銷 2.6×22&25 (各一對)
110019	插銷 2×11.8 (5)	110086	六角半圓頭螺絲 M3×16 (6)	210084	下擺臂座 +0.5	310048	擺臂插銷 2.5×46 (4)
110020	差速鋼珠 3.0 (13)	110091	六角有頭螺絲 M3×40 (半牙) (6)	210085	下擺臂座 +2.0	310052	FXX 驅動齒軸
110022	自攻六角半圓頭螺絲 M3×6 (6)	120001	培林 10×15 (4)	210161	球頭螺帽 4.8 (4)	310056	FXX 轉向搖臂支柱
110023	六角止付螺絲 M3×16 (6)	120002	培林 5×10 (4)	210235	避震器活塞墊片組	310065	萬向接杯 (2)
110024	六角沉頭螺絲 M3×6 (10)	120003	培林 5×8 (4)	210344	球頭螺帽 L 4.8 (4)	310103	擺臂插銷 2×28 (2)
110025	自攻六角半圓頭螺絲 2.6×10 (6)	120007	培林 8×14 (2)	210347	FXX 傳動齒輪軸	310106R	避震調整環 (紅) (2)
110026	六角半圓頭螺絲 M3×10 (10)	120008	止推培林 2.5×6	210381	車殼支柱組	810001	鋼製強化可調拉桿 3×16 (2)
110029	六角半圓頭螺絲 M3×12 (6)	120013	培林 4×8×3 (2)	210402	FXX 驅動齒 A 30T	810002	鋼製強化可調拉桿 3×20 (2)
110032	六角止付螺絲 M3×10 (6)	120014	培林 6×10×3 (2)	210442R	FXX 強化高齒比後軸組 (紅)	810003	鋼製強化可調拉桿 3×25 (2)
110035	六角止付螺絲 M3×3 (6)	120017	軸承 5×8 (4)	210491	球頭螺絲 L 5.8×4 (4)	820010	鋼製大角度CVD傳動軸 38.5 (2)
110037	E扣 4.0 (10)	120024	軸承 3×6×2.5 (4)	210510CR	加大煞車卡鉗 (紅) (4)	820015	墊片 4×6×0.1 (8)
110041	六角沉頭螺絲 M3×5 (10)	120025	培林 6×10×2.5 (2)	210541	短電池座組	820017	墊片 4×6×0.3 (8)
110043	六角沉頭螺絲 M3×12 (10)	130004	避震氣室 (4)	210628	FXX 2.0 S 纖維底座 2.0	820020	墊片 5×7×0.3 (8)
110044	六角半圓頭螺絲 M2×6 (6)	130028	阻尼器O環 P3 (藍) (10)	230013	FXX FSX 前後避震架	820022	墊片 10×12×0.1 (8)
110045	六角半圓頭螺絲 M2×8 (半牙) (6)	130032	避震上蓋O環 (10)	230040	FXX 轉向搖臂組	820024	墊片 10×12×0.3 (8)
110046	插銷 2×9.8 (剖溝) (8)	130049	O環 12×1×1 (4)	230041	碟型六角輪座組 (加大型)	820030	連接軸 (2)
110047	墊片 3×6×0.5 (8)	210031	強化拉桿頭組 5.8×26	230062	前擺臂組	820075	R銷 5.0 (10)
110048	墊片 3×8×0.5 (8)	210033	伺服機舵片組-長 (23T/25T)	230066	ATK前輪座組	820079	避震膠件包 (2)
110050	六角半圓頭螺絲 M2×5 (6)	210036	傘齒組 42-11	230067	4.8 拉桿頭組 (M/S)	820095	AKM 二驅輪軸 (2)
110052	六角沉頭螺絲 M3×10 (10)	210038	天線座	230070	襯套墊片組	820104	31mm 軟避震彈簧組 (8)
110053	六角有頭螺絲 M2.5×30 (半牙) (2)	210040	接杆組	230096	MB 後輪座組	820114	29mm 避震彈簧組 (8)
110059	插銷 1.5×7.8 (8)	210047	強化拉桿頭組 4.8×18 (8)	230097	MB 後下擺臂		

026212