

MST

MAX SPEED TECHNOLOGY



RMAX RRX 2.5S

1/10 SCALE RC RWD HIGH PERFORMANCE DRIFT CAR

INSTRUCTION MANUAL

ON ROAD USE ONLY

SPECIFICATION: 1:10 Drift Car
WHEELBASE: 257mm
HEX TO HEX WIDTH : F177 R173
DRIVE MODE: RWD
CASTER: Adjustable 6/ 8/ 10/ 12 degrees
CAMBER: Adjustable 0 to -12 degrees
FULL BALL BEARING
HYDRAULIC DAMPER SET

www.rc-mst.com

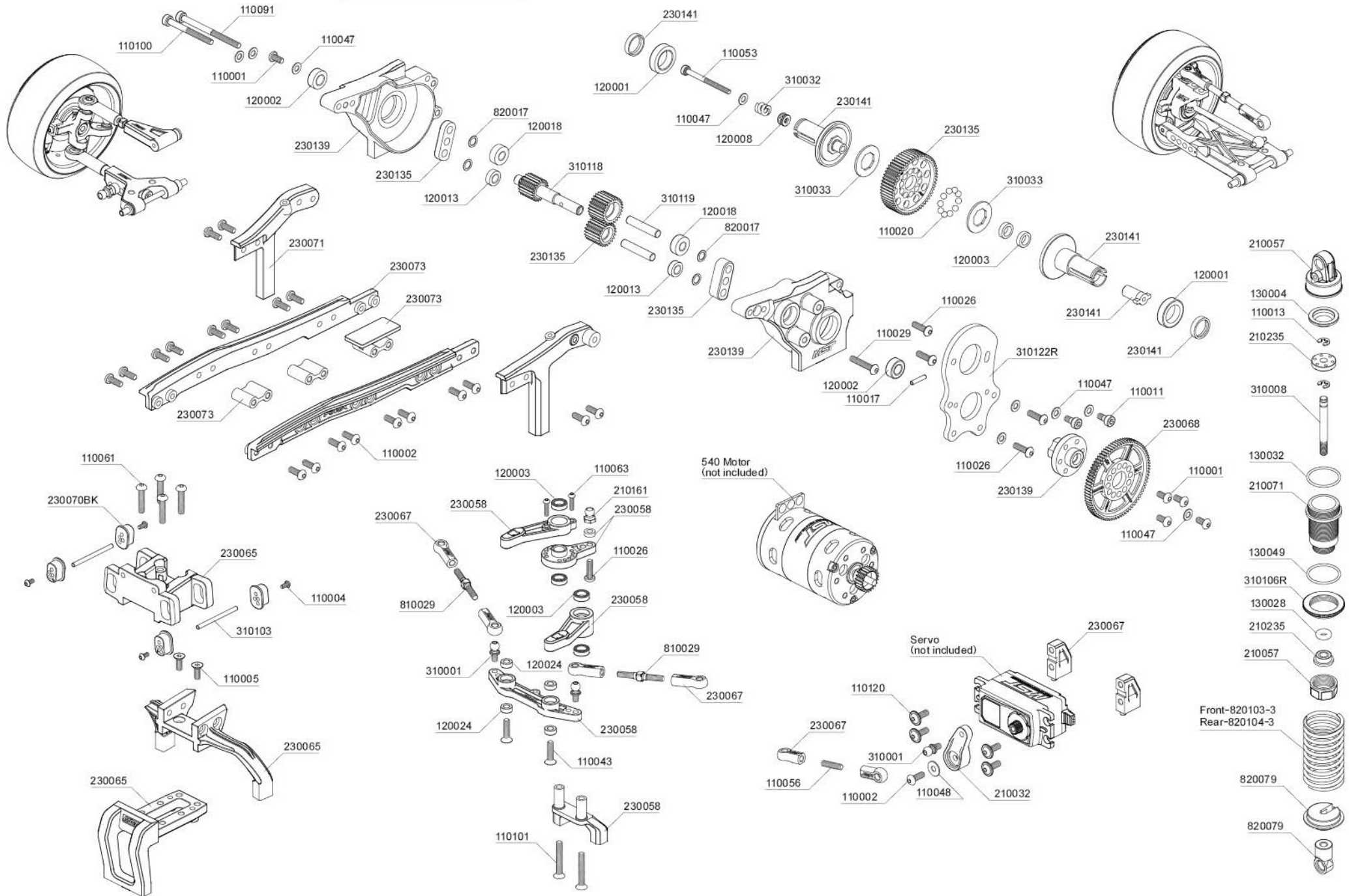
* SPECIFICATION ARE SUBJECT TO CHANGE WITHOUT NOTICE

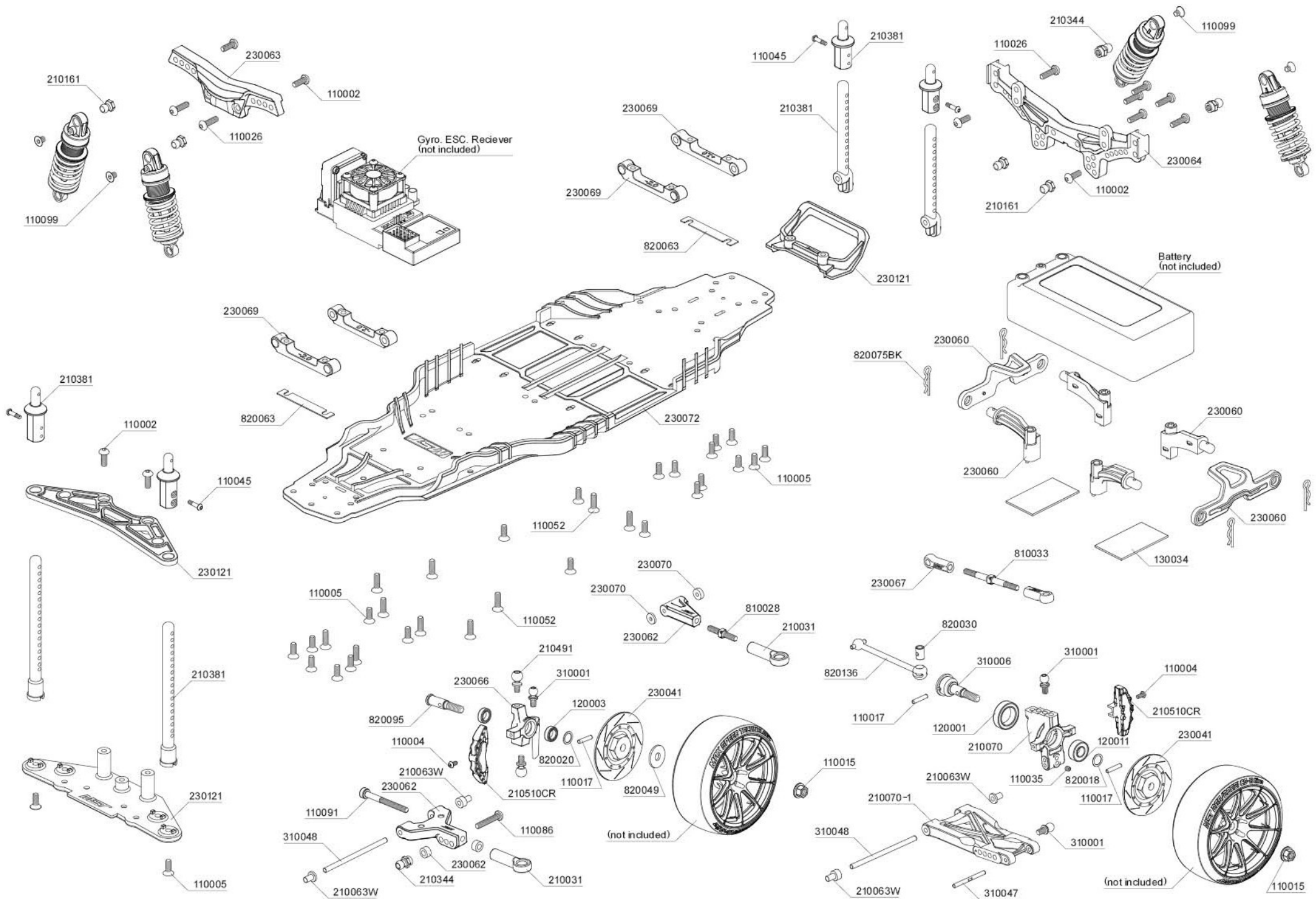
RMX 2.5S RRX

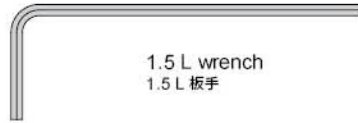
1/10 SCALE RC RWD HIGH PERFORMANCE DRIFT CAR

EXPLODED VIEW

MST
MAX SPEED TECHNOLOGY

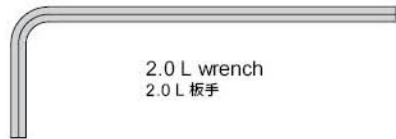






1.5 L wrench
1.5 L 板手

1.5
Hex



2.0 L wrench
2.0 L 板手

2.0
Hex



2.5 L wrench
2.5 L 板手

2.5
Hex



5.5 x 4.0 wrench
5.5 x 4.0 板手

7.0



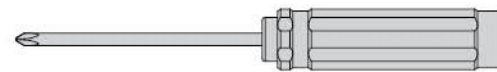
5.5 & 7.0 alum. wrench
5.5 & 7.0 套筒板手

5.5

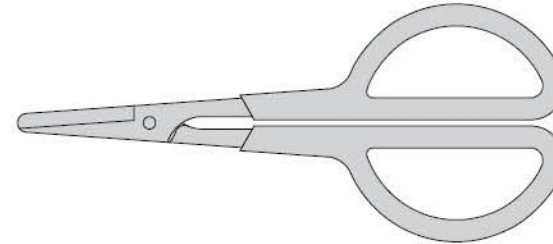
NECESSARY TOOLS FOR ASSEMBLY 工具需求 (NOT INCLUDED IN KIT) [另購]



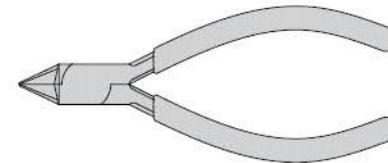
Hobby knife
美工刀



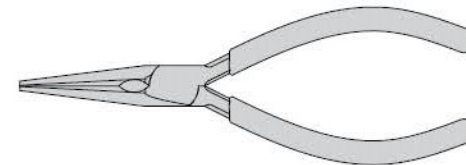
Screwdriver
螺絲起子



Scissors
剪刀



Side cutter
斜口鉗



Needle nose pliers
尖嘴鉗

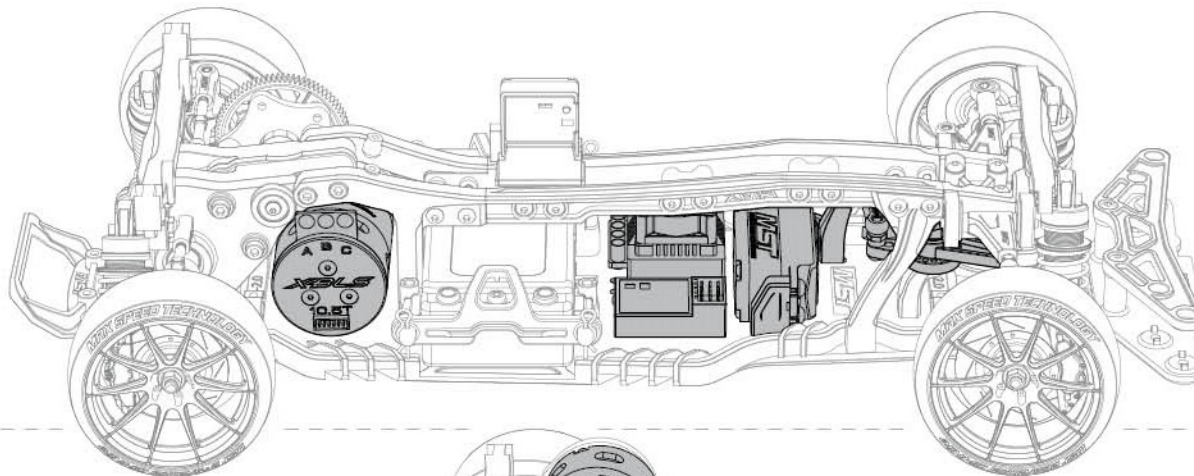


210272
Turnbuckle wrench
拉桿板手

Please follow the assembling figures and instructions closely
for your [RMX / RRX 2.5S] best performance!
請依照說明書圖示步驟安裝以發揮 [RMX / RRX 2.5S] 最好效能!

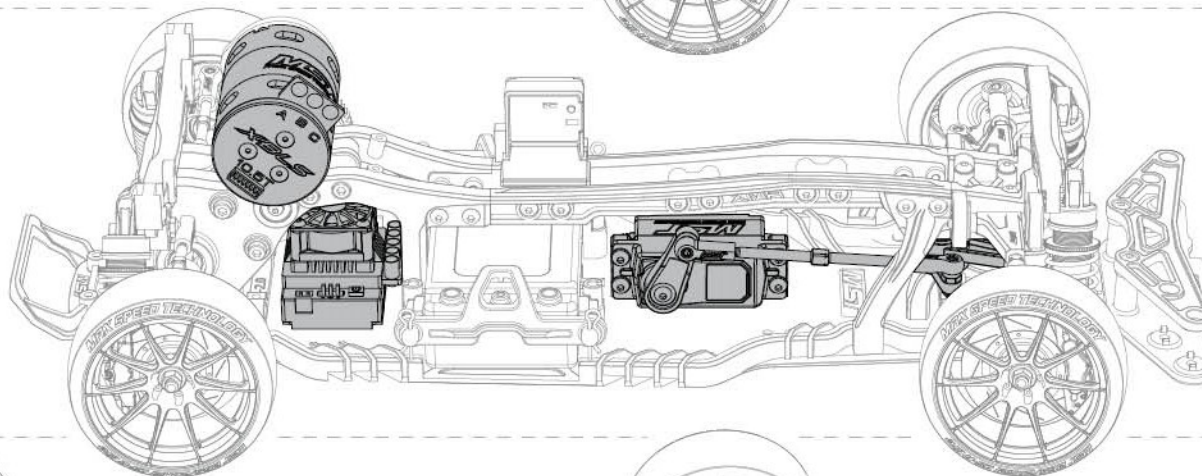
RMX Motor LCG Mode

RMX低重心模式



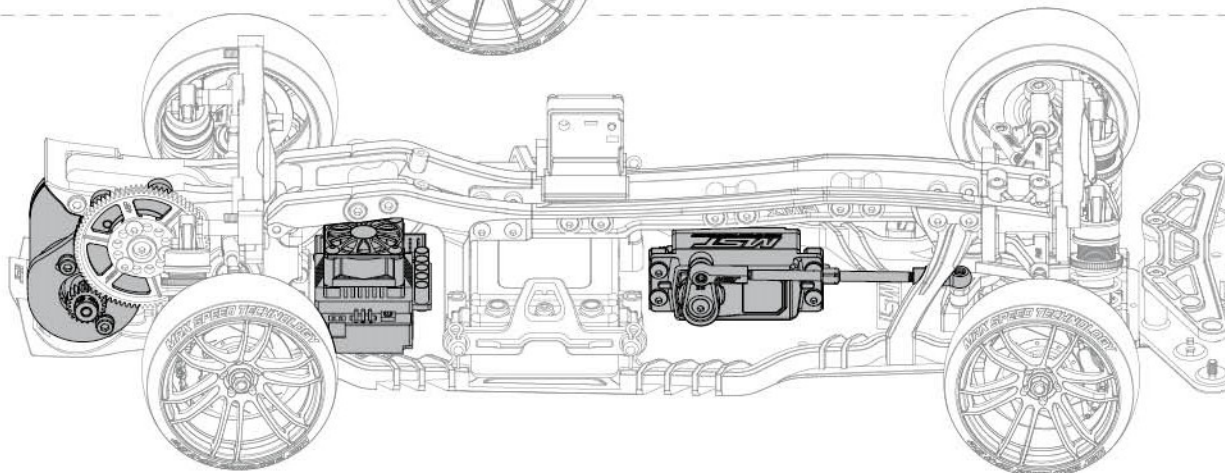
RMX Motor HCG Mode

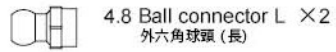
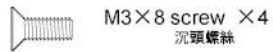
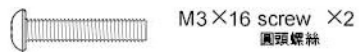
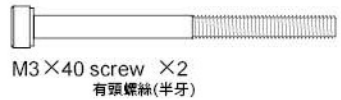
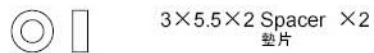
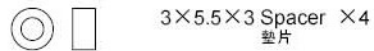
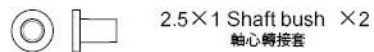
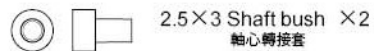
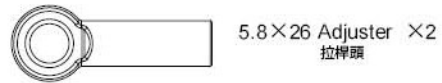
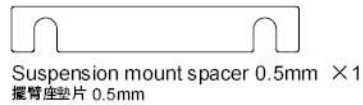
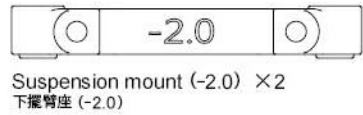
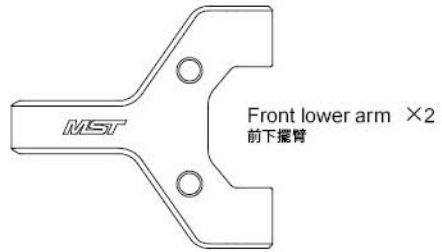
RMX高重心模式



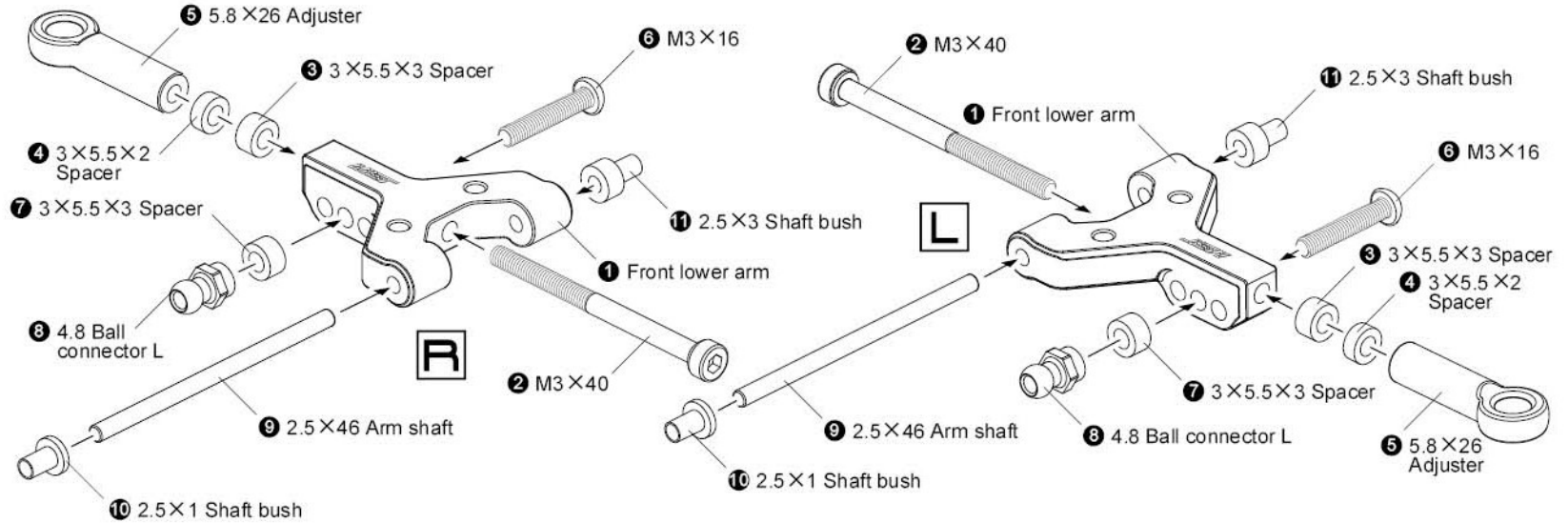
RRX Mode

RRX模式

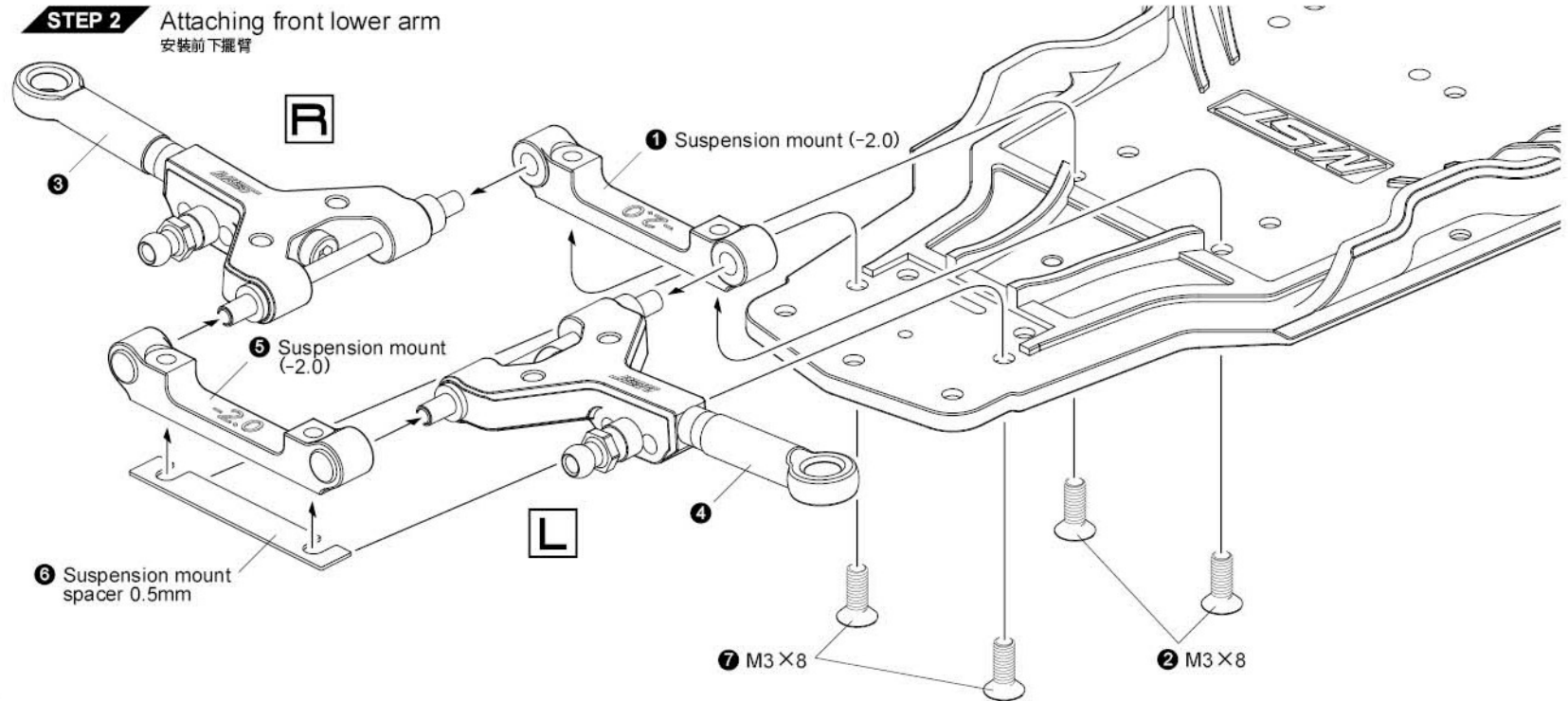


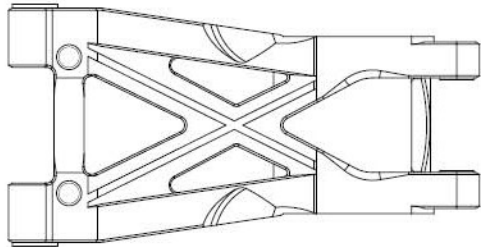


STEP 1 Front lower arm assembly
前下擺臂組裝

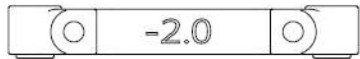


STEP 2 Attaching front lower arm
安裝前下擺臂

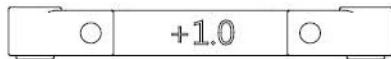




Rear lower arm ×2
後下擺臂



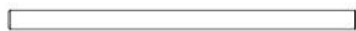
Suspension mount (-2.0) ×1
下擺臂座 (-2.0)



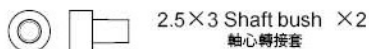
Suspension mount (+1.0) ×1
下擺臂座 (+1.0)



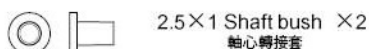
Suspension mount spacer 0.5mm ×1
擺臂座墊片 0.5mm



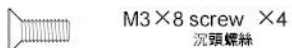
2.5×46 Arm shaft ×2
擺臂插銷



2.5×3 Shaft bush ×2
軸心轉接套



2.5×1 Shaft bush ×2
軸心轉接套

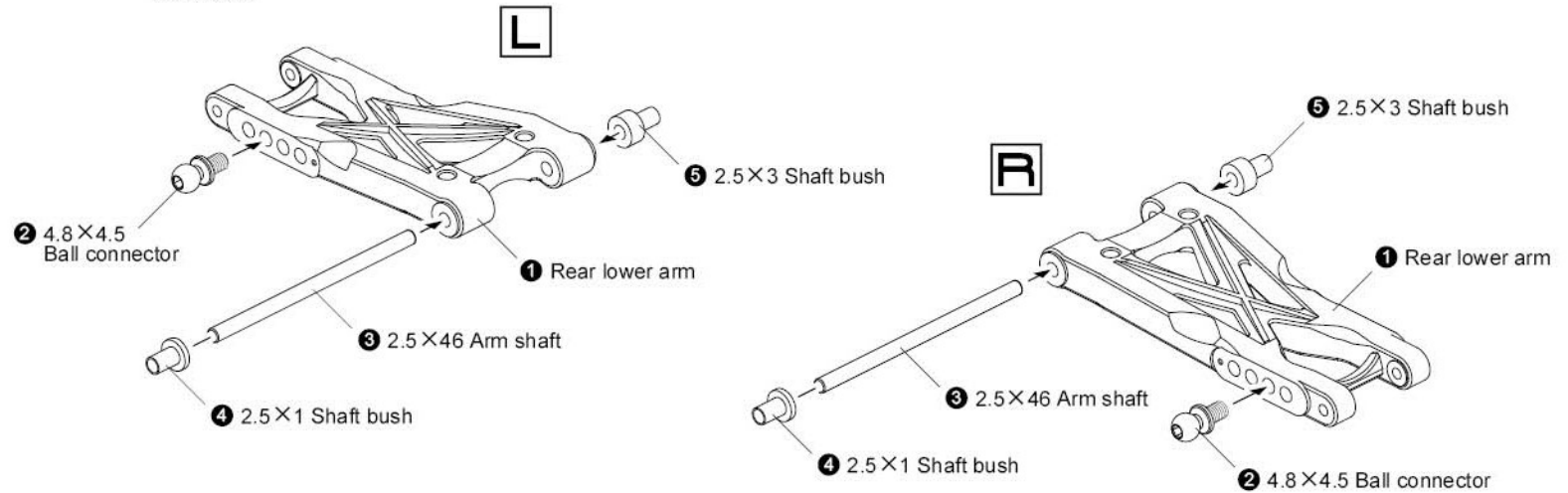


M3×8 screw ×4
沉頭螺絲

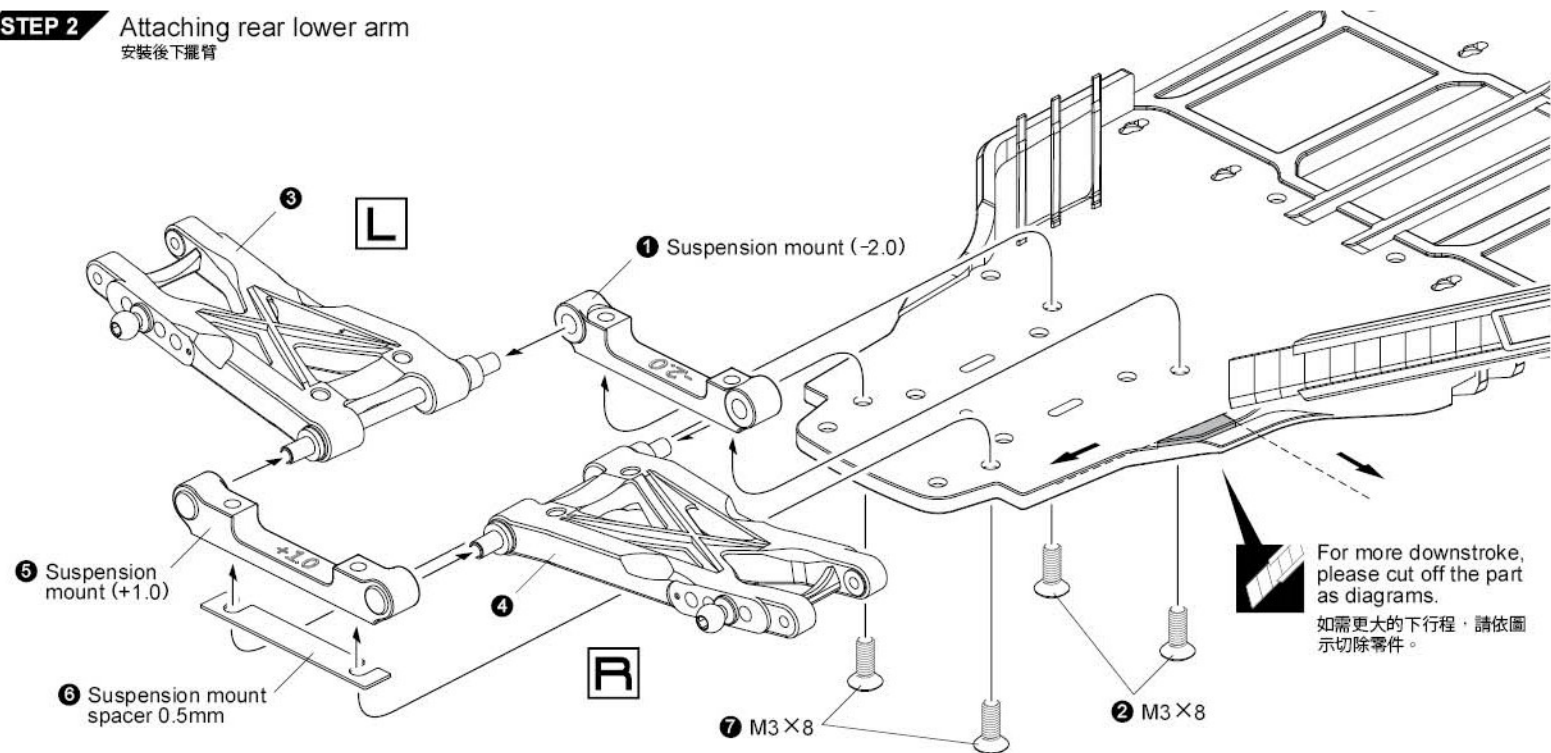


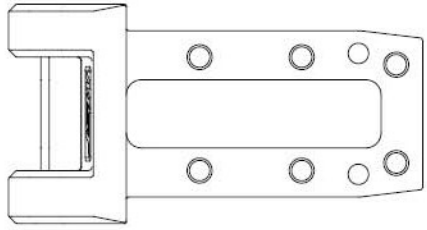
4.8×4.5 Ball connector ×2
球頭螺絲

STEP 1 Rear lower arm assembly
後下擺臂組裝

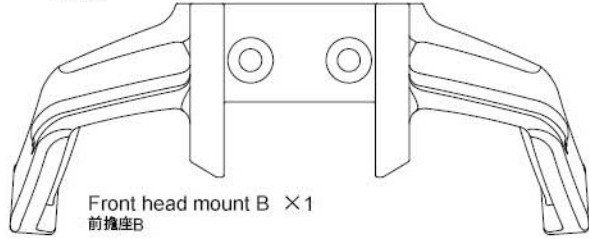


STEP 2 Attaching rear lower arm
安裝後下擺臂

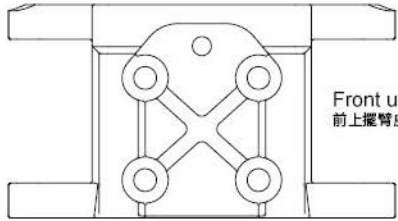




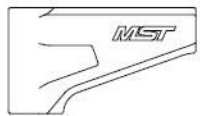
Front head mount A ×1
前擋座A



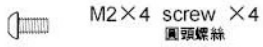
Front head mount B ×1
前擋座B



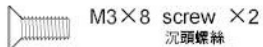
Front upper arm mount ×1
前上擺臂座



Front upper arm ×2
前上擺臂
(Bag 1)



M2×4 screw ×4
圓頭螺絲



M3×8 screw ×2
沉頭螺絲



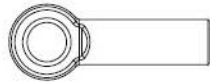
M3×14 screw ×4
圓頭螺絲



M3×20 steel turnbuckle ×2
鋼製可調拉桿



2×28 shaft ×2
插銷



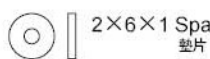
5.8×26 Adjuster ×2
拉桿頭



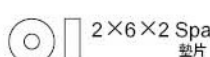
Arm shaft bush A ×2
擺臂襯套A



Arm shaft bush B ×2
擺臂襯套B

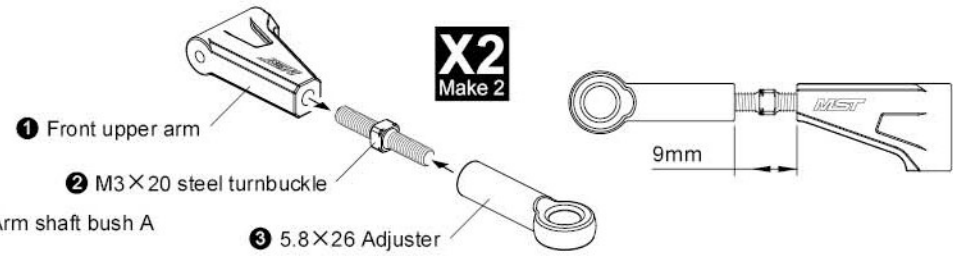
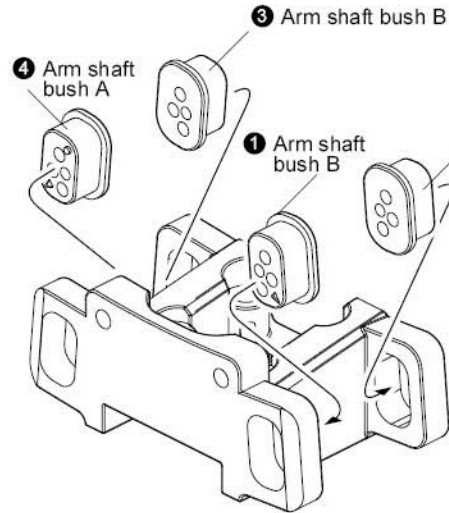


2×6×1 Spacer ×2
墊片

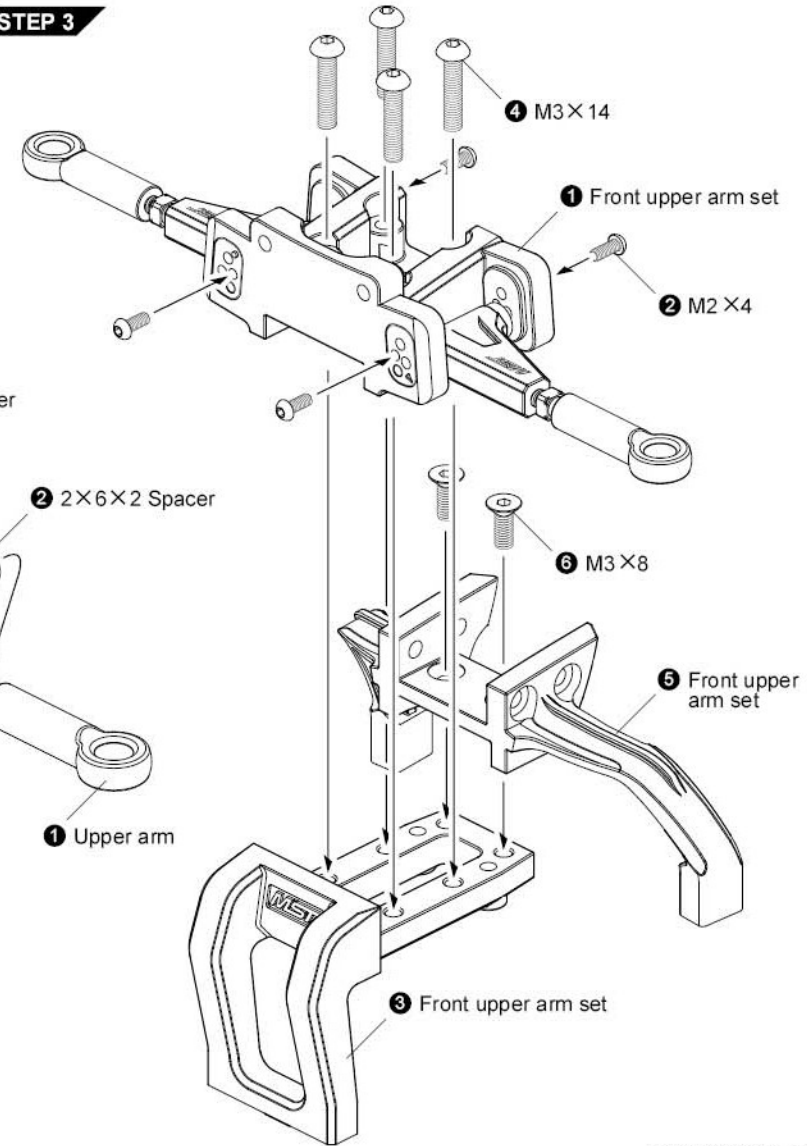


2×6×2 Spacer ×2
墊片

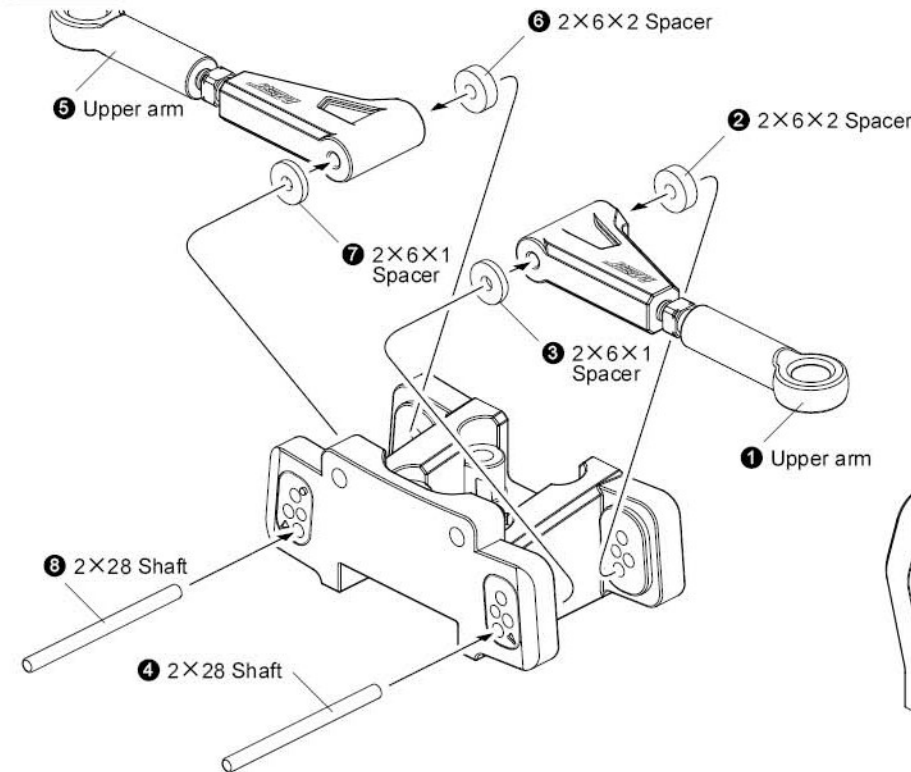
STEP 1 Front upper arm assembly
前上擺臂組裝

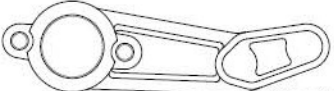
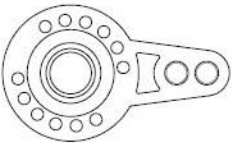
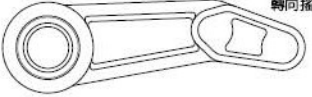

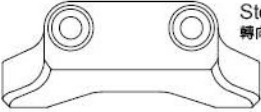











STEP 3



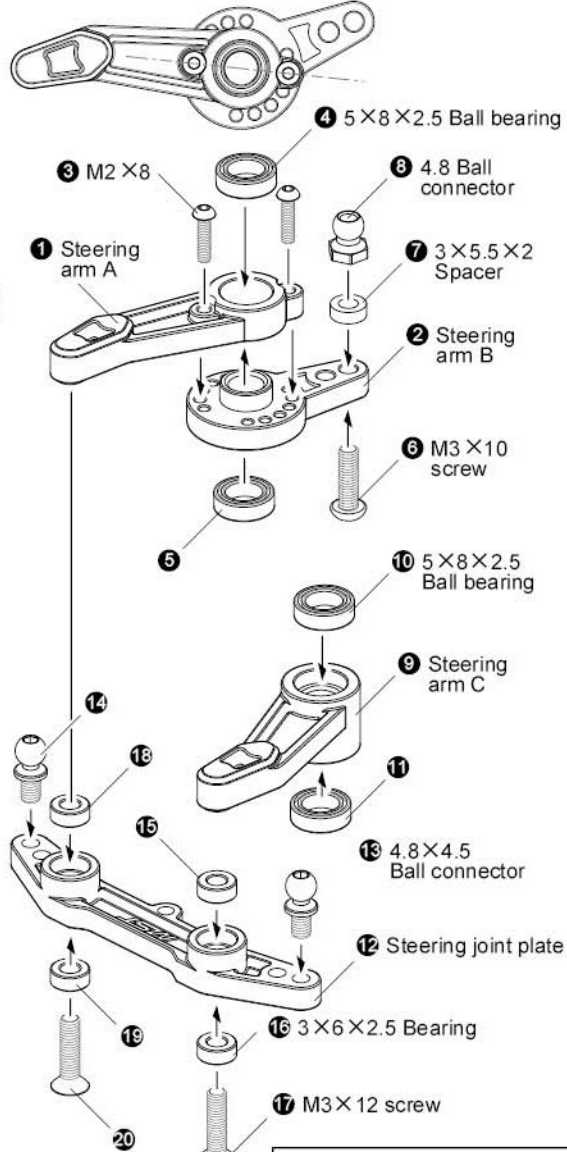
STEP 2



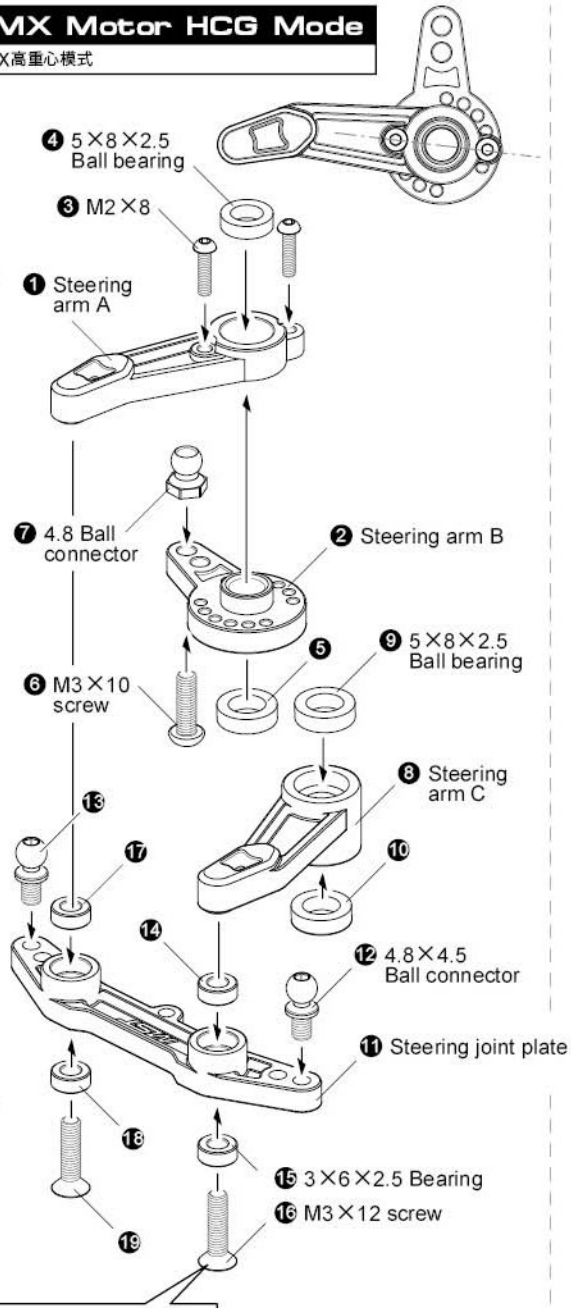
-  Steering arm A ×1
轉向搖臂 A
-  Steering arm B ×1
轉向搖臂 B
-  Steering arm C ×1
轉向搖臂 C
-  Steering joint plate ×1
轉向連接板
-  Steering arm post ×1
轉向搖臂支柱
-  M3×20 screw ×2
沉頭螺絲
-  M3×12 screw ×2
沉頭螺絲
-  M3×10 screw ×1
圓頭螺絲
-  M2×8 screw ×2
圓頭螺絲
-  4.8×4.5 Ball connector ×2
球頭螺絲
-  4.8 Ball connector ×1
外六角球頭
-  5×8×2.5 Ball bearing ×4
培林
-  3×6×2.5 Bearing ×4
軸承
-  3×5.5×2 Spacer ×1
墊片

STEP 1 Steering arm assembly
轉向搖臂組裝

RMX Motor LCG Mode
RMX低重心模式

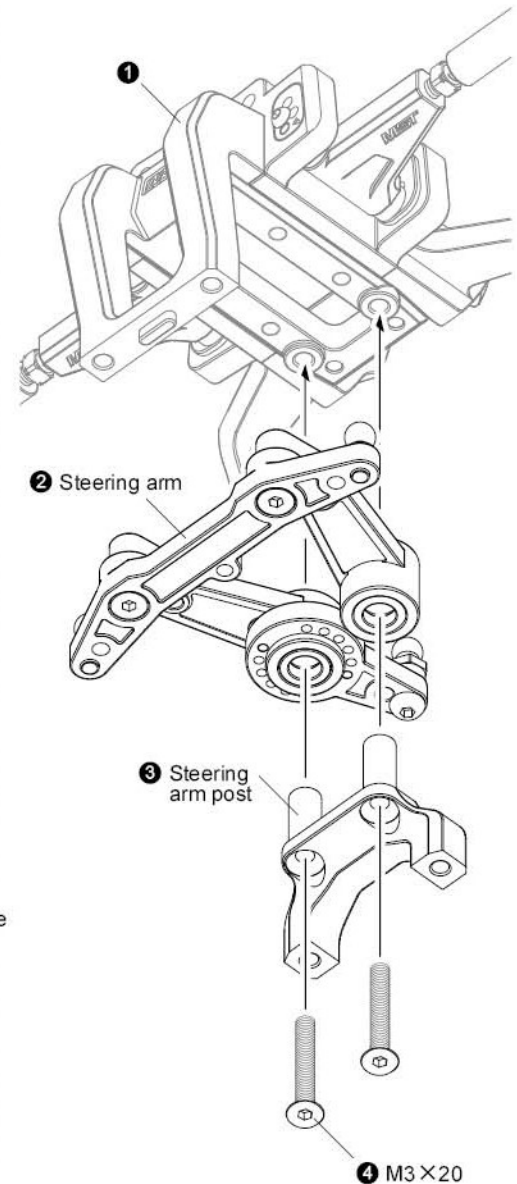


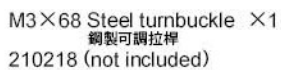
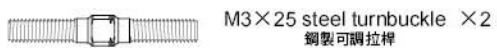
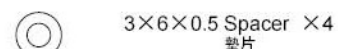
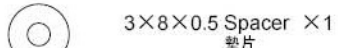
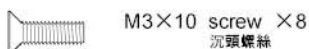
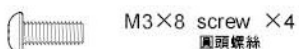
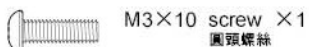
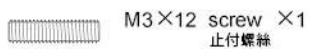
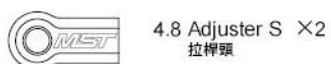
RMX Motor HCG Mode
RMX高重心模式



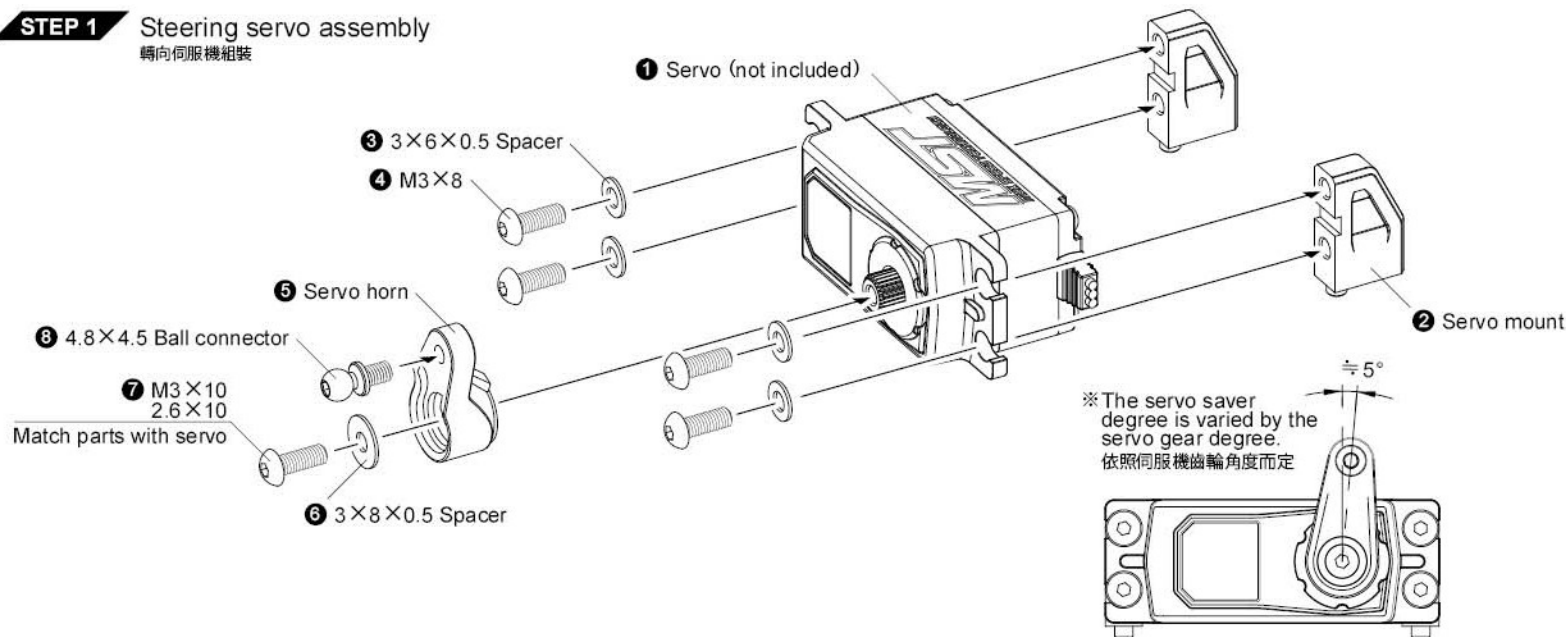
⚠ Tighten M3×12 screw first, and then loose it till the steering joint plate turning freely.
先稍微旋緊M3×12螺絲再放鬆至轉向連接板可自由轉動無阻力。

STEP 2 Attaching steering arm
安裝轉向搖臂組



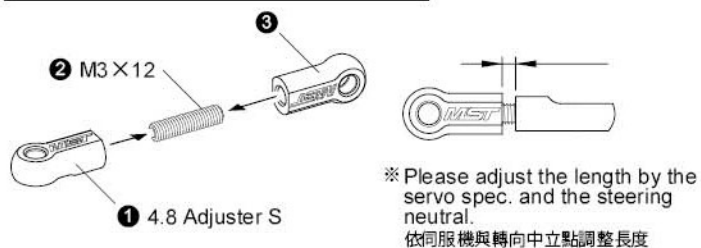


STEP 1 Steering servo assembly
轉向伺服機組裝

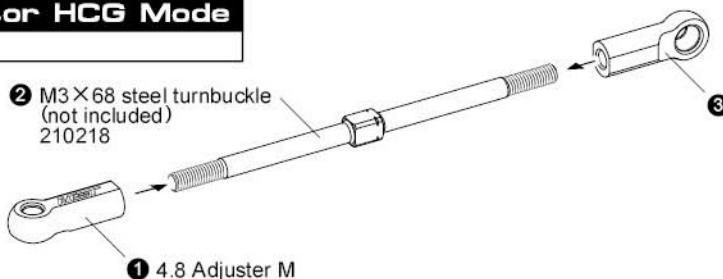


STEP 2 Servo saver turnbuckle assembly
伺服拉桿組裝

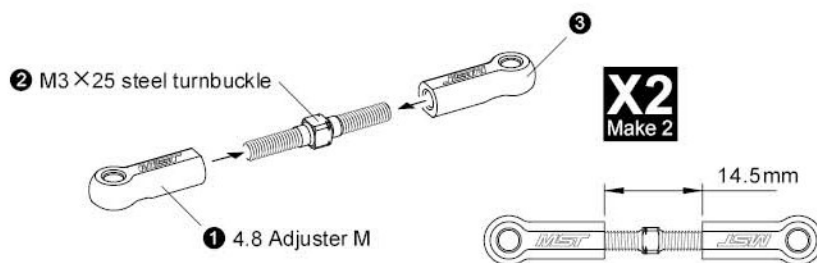
RMX Motor LCG Mode
RMX低重心模式



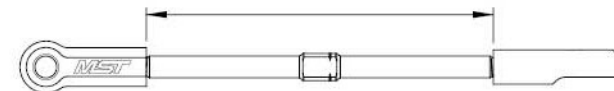
RMX Motor HCG Mode
RMX高重心模式



STEP 3 Steering adjuster assembly
轉向拉桿組裝



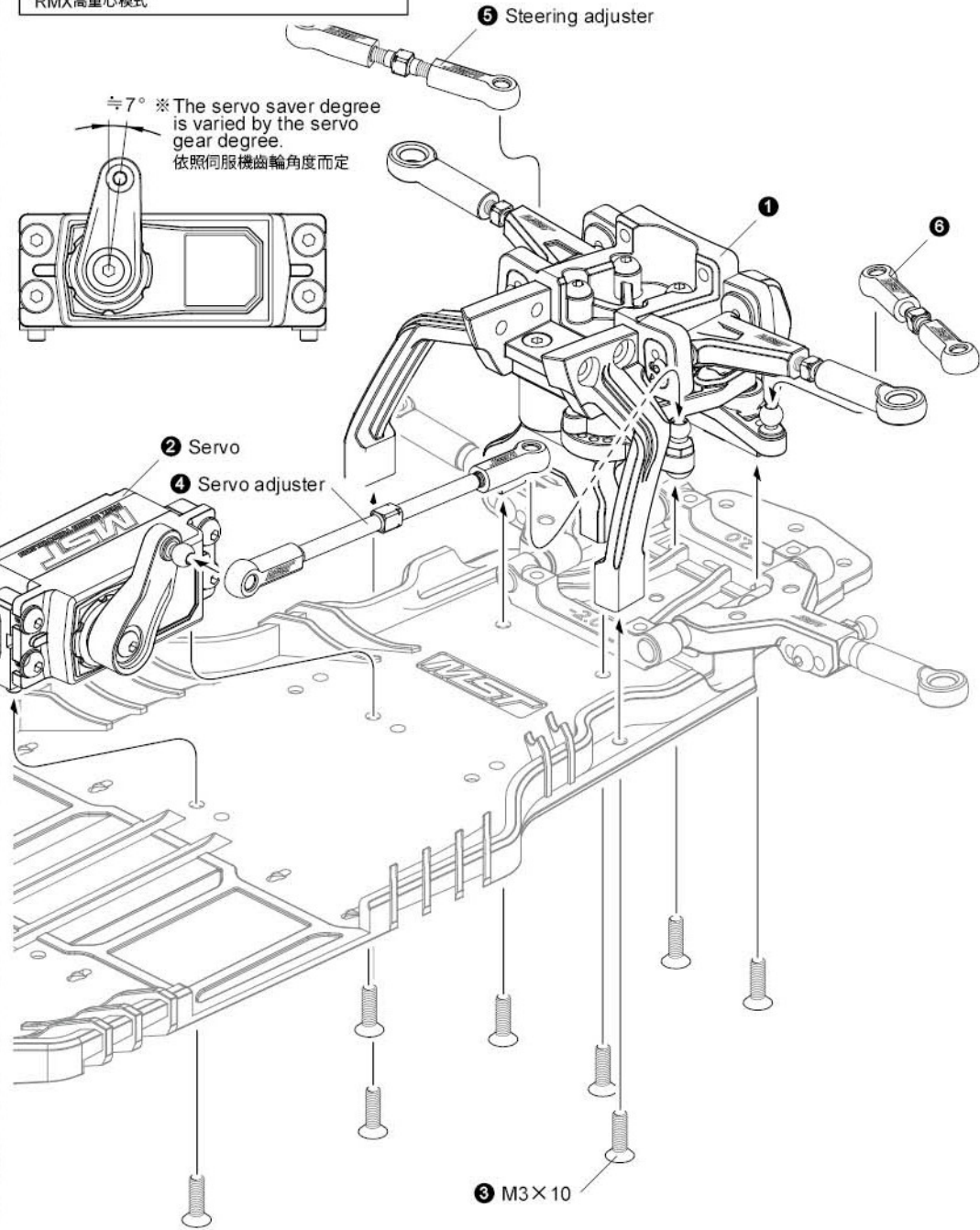
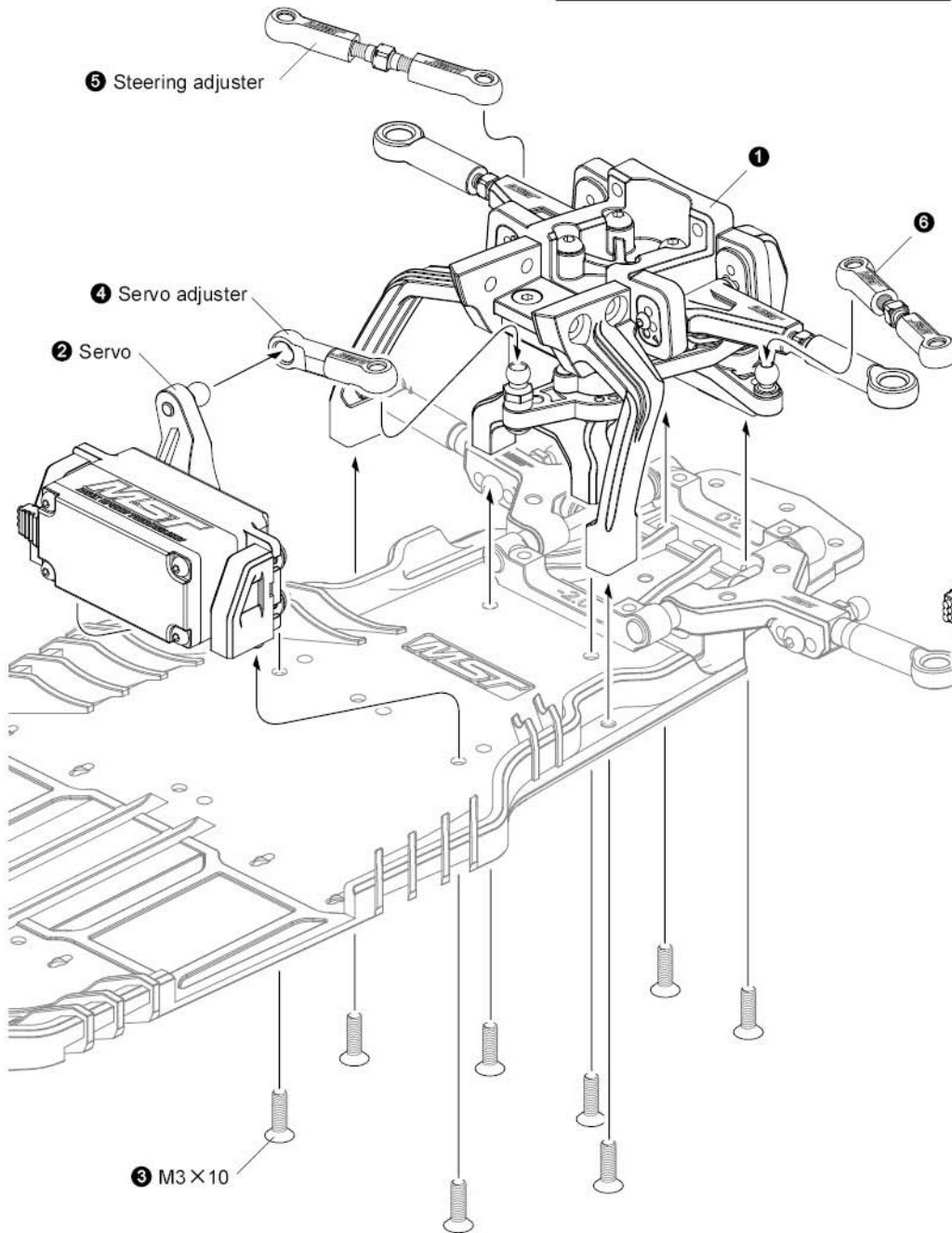
※ Please adjust the length by the servo spec. and the steering neutral.
依伺服機與轉向中立點調整長度



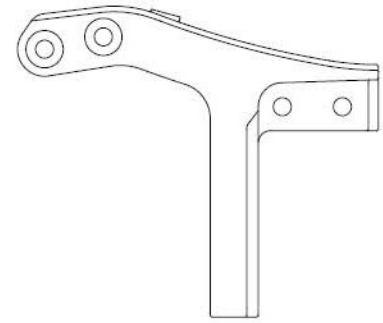
STEP 1 Attaching front steering-suspension
安裝前懸組

RMX Motor LCG Mode
RMX低重心模式

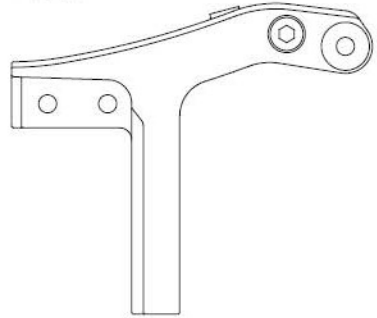
RMX Motor HCG Mode
RMX高重心模式



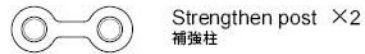
STEP 1 Attaching upper deck
安裝二樓板



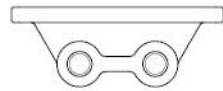
Gear box connector A ×1
連結架 A



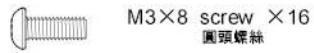
Gear box connector B ×1
連結架 B



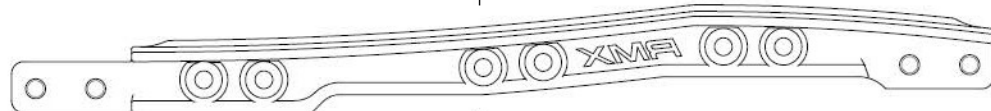
Strengthen post ×2
補強柱



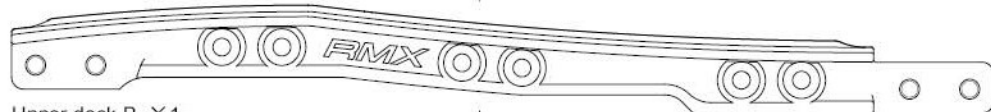
Gyro mount ×1
陀螺儀座



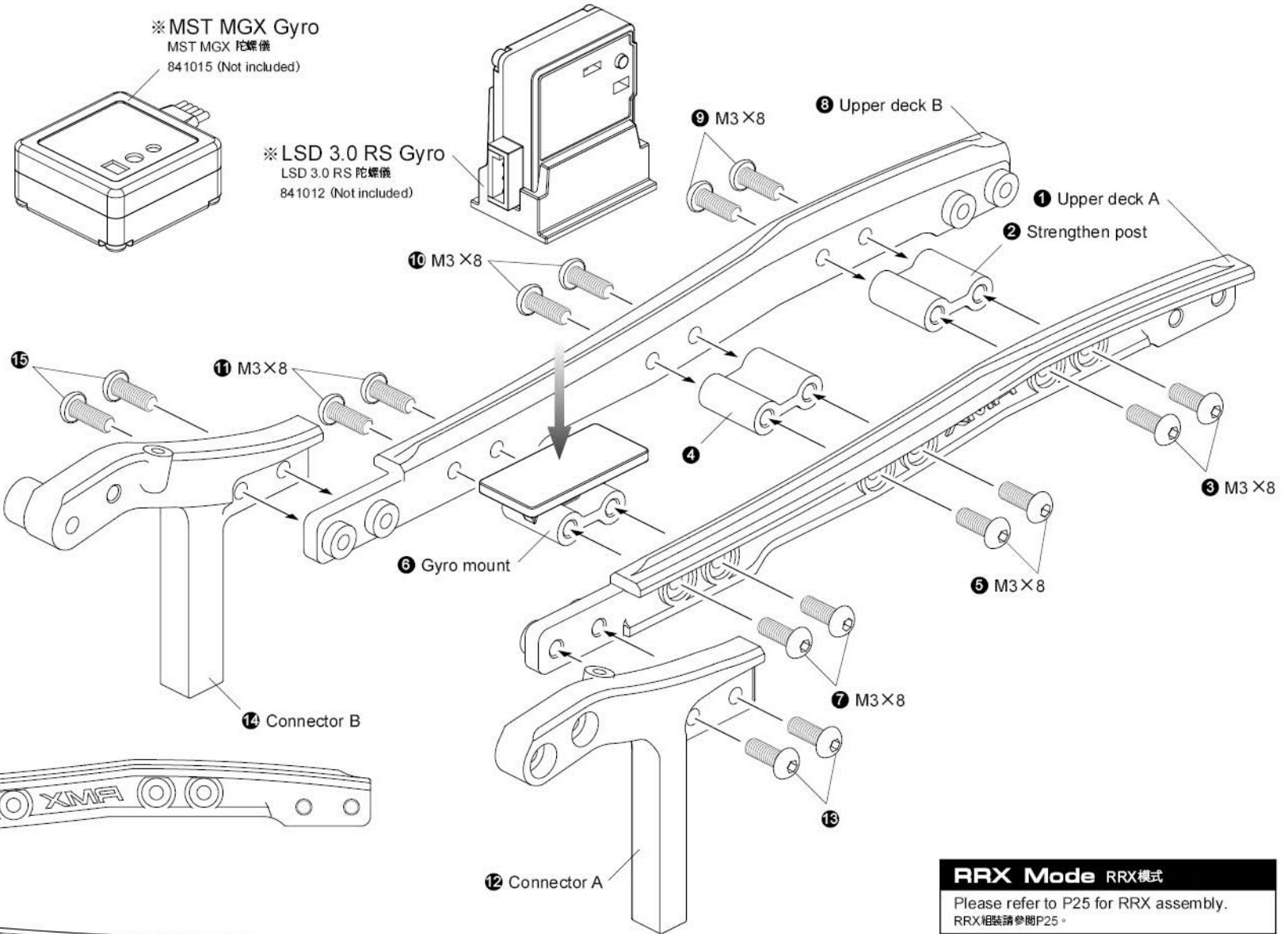
M3×8 screw ×16
圓頭螺絲



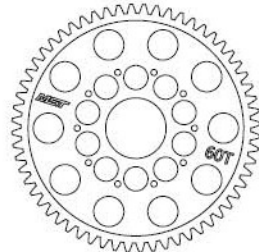
Upper deck A ×1
二樓板 A



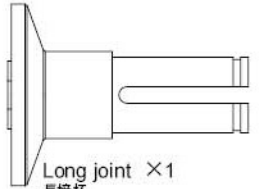
Upper deck B ×1
二樓板 B



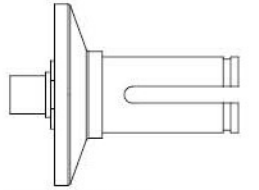
RRX Mode RRX模式
Please refer to P25 for RRX assembly.
RRX組裝請參閱P25。



Differential gear 60T ×1
差速齒 60T



Long joint ×1
長接杯



Short joint ×1
短接杯



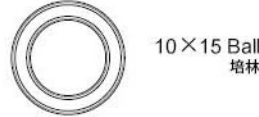
M2.5×30 screw ×1
有頭螺絲(半牙)



Diff. nut ×1
滾差螺帽座



Diff. plate ×2
滾差壓板



10×15 Ball bearing ×2
培林



Joint ring ×2
接杯環



5×8 Ball bearing ×2
培林



2.5×6 Spacer ×2
鋼板



3×6×0.5 Spacer ×1
墊片



Diff. Spring ×1
滾差彈簧

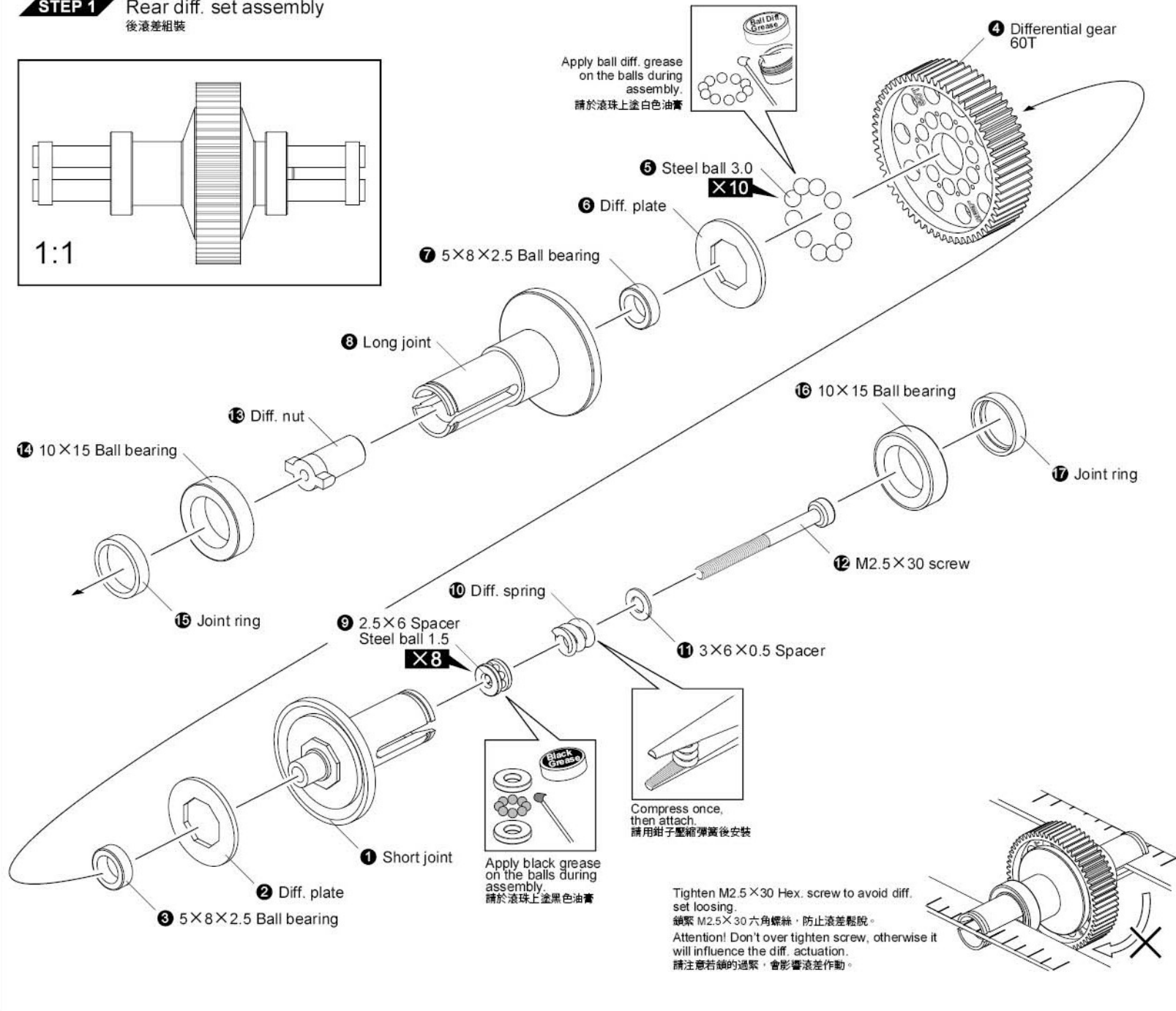
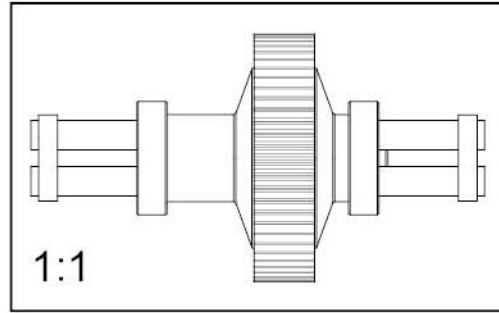


Steel ball 3.0 ×10
鋼珠 3.0

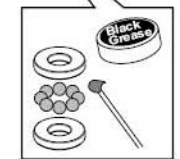
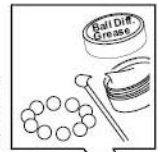


Steel ball 1.5 ×8
鋼珠 1.5

STEP 1 Rear diff. set assembly
後滾差組裝



Apply ball diff. grease on the balls during assembly.
請於滾珠上塗白色油膏

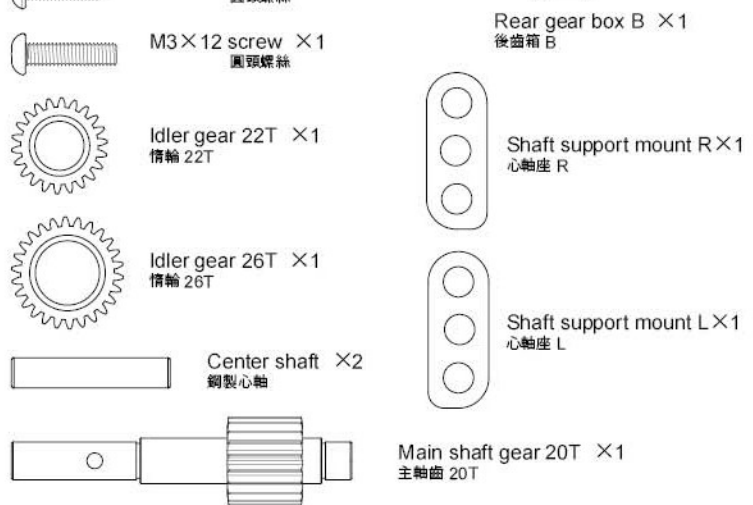
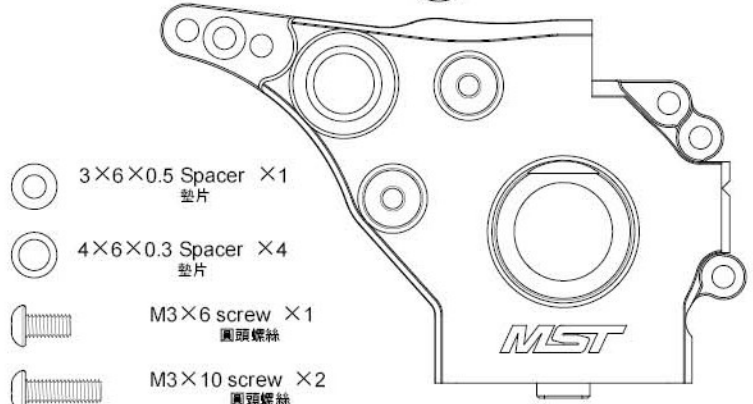
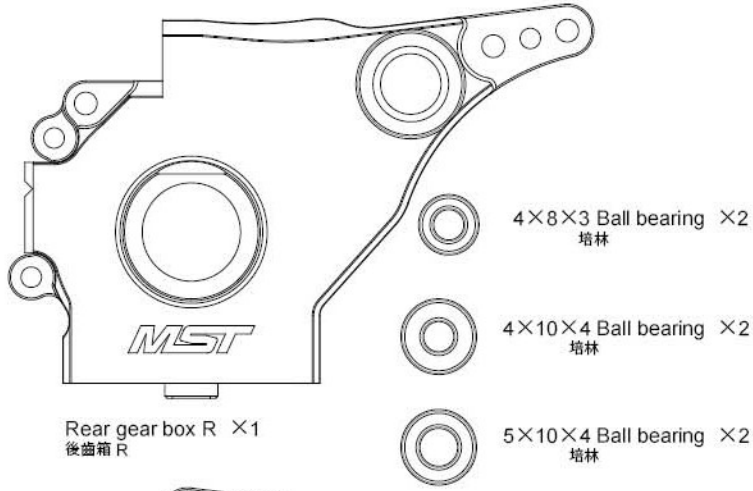


Apply black grease on the balls during assembly.
請於滾珠上塗黑色油膏

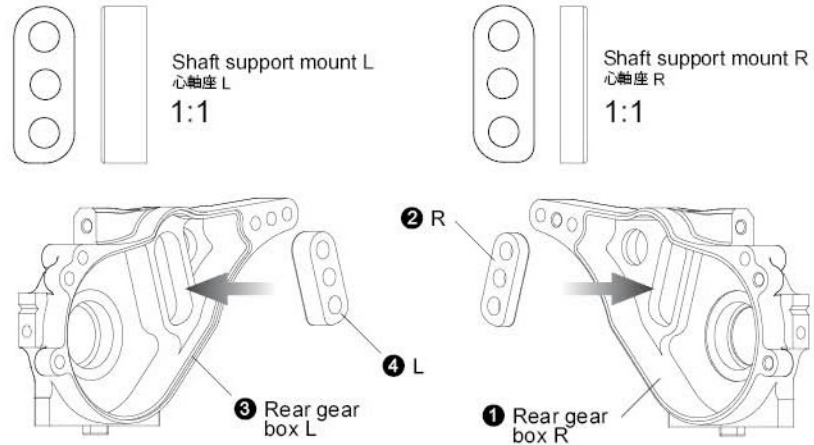


Compress once, then attach.
請用鉗子壓縮彈簧後安裝

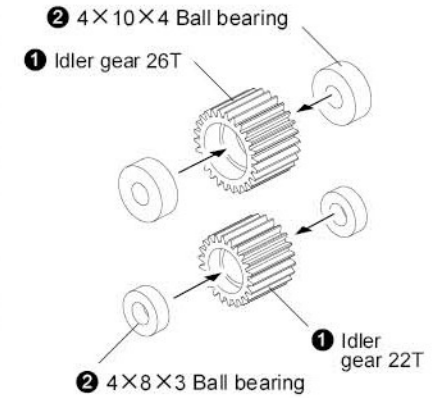
Tighten M2.5×30 Hex. screw to avoid diff. set loosing.
鎖緊 M2.5×30 六角螺絲，防止滾差鬆脫。
Attention! Don't over tighten screw, otherwise it will influence the diff. actuation.
請注意若鎖的過緊，會影響滾差作動。



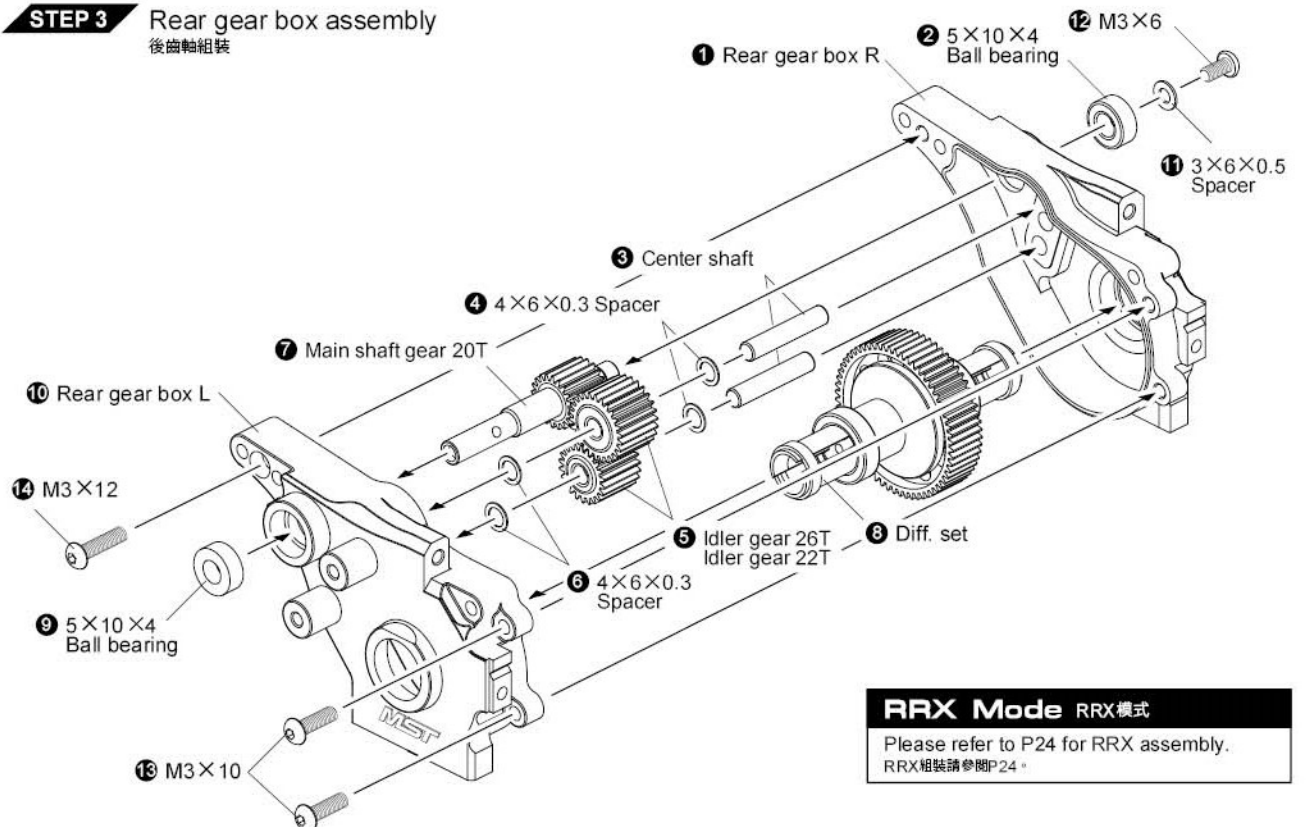
STEP 1 Shaft support mount assembly
心軸座組裝



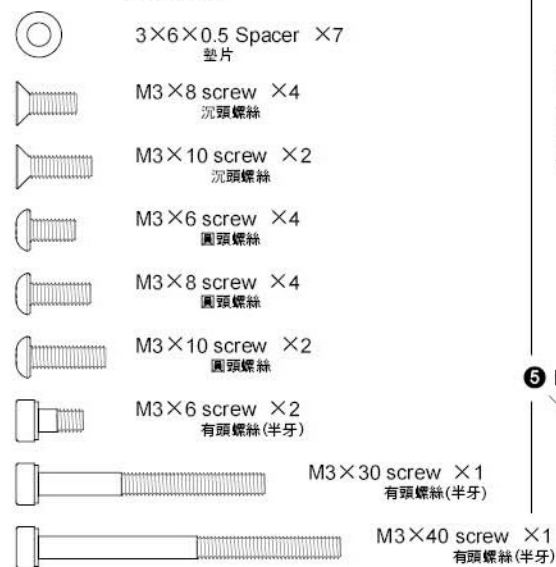
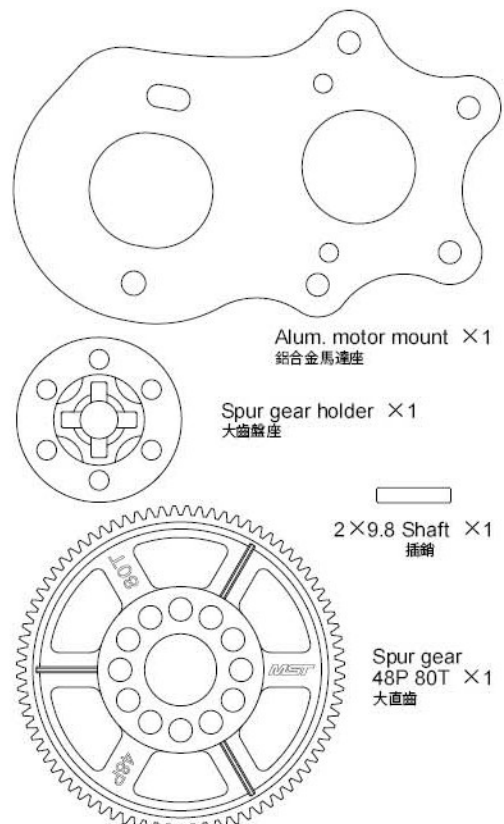
STEP 2 Idler gear assembly
惰輪組裝



STEP 3 Rear gear box assembly
後齒箱組裝



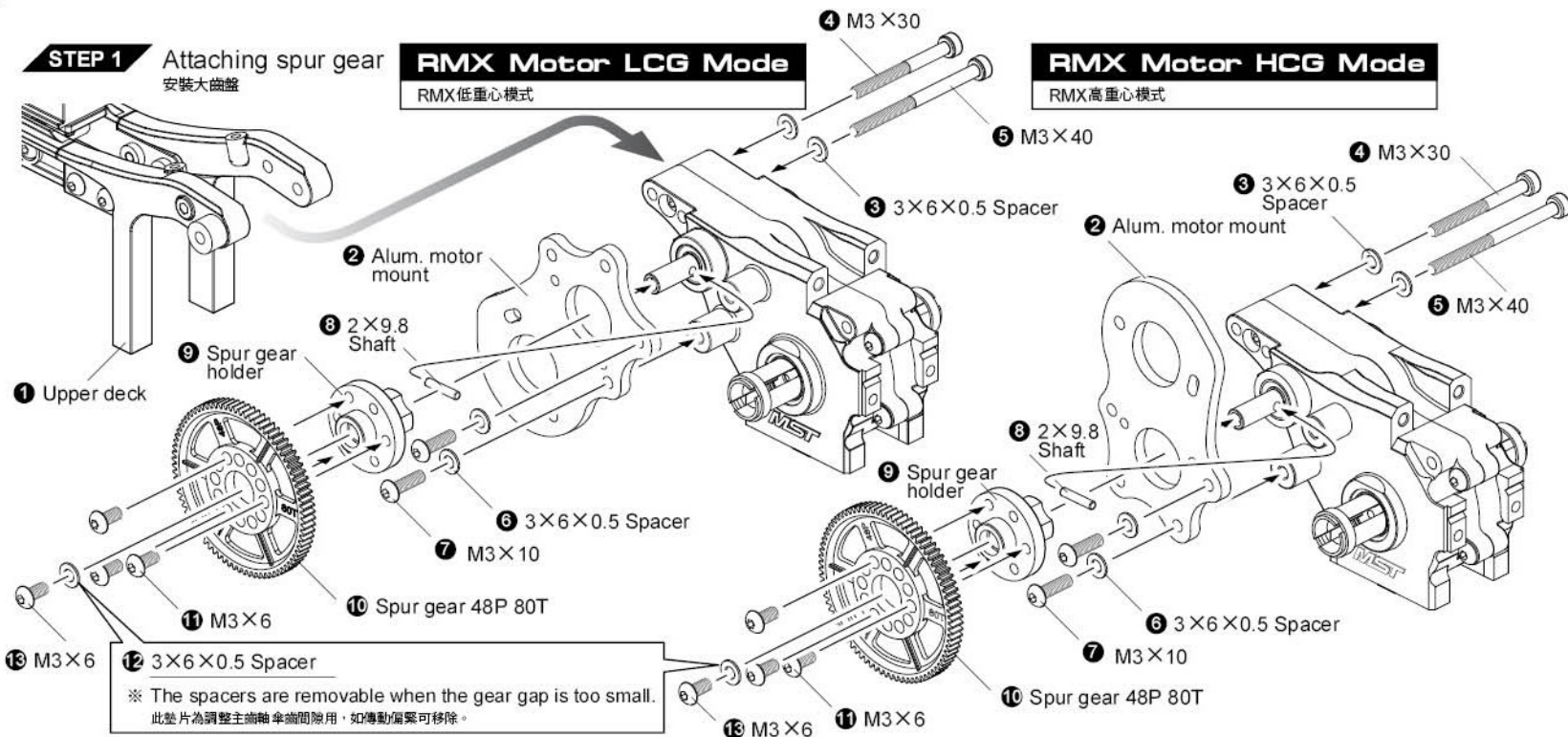
RRX Mode RRX模式
Please refer to P24 for RRX assembly.
RRX組裝請參閱P24。



STEP 1 Attaching spur gear
安裝大齒盤

RMX Motor LCG Mode
RMX低重心模式

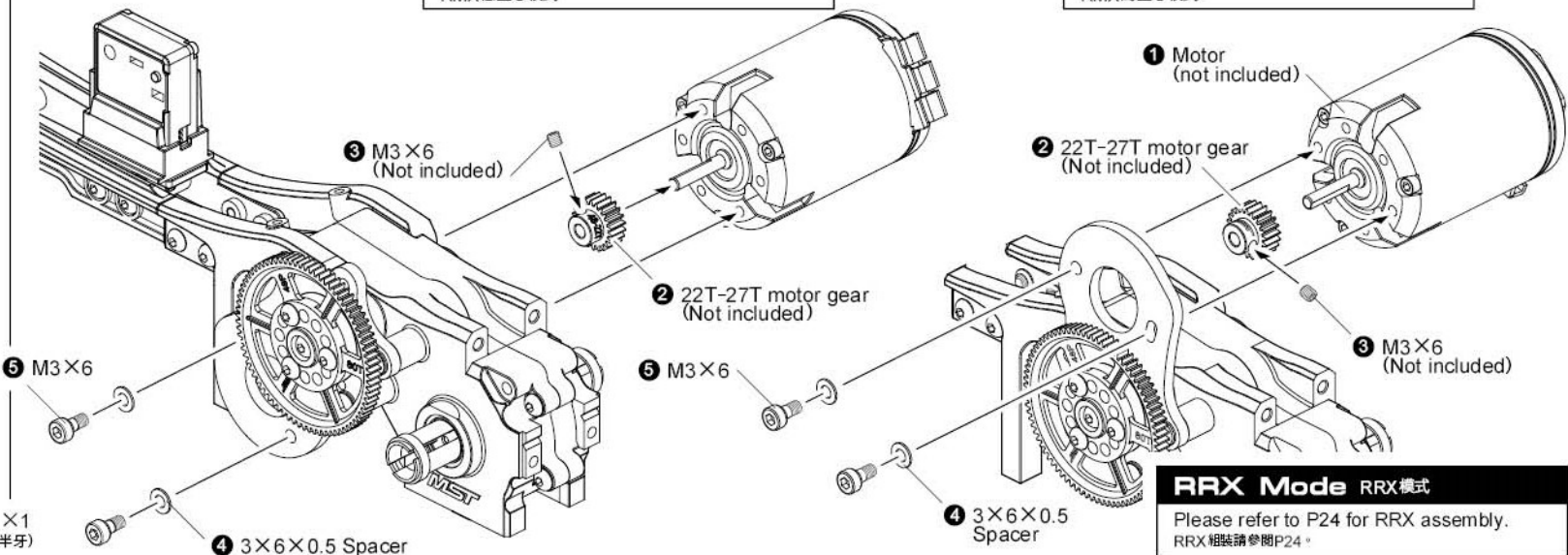
RMX Motor HCG Mode
RMX高重心模式



STEP 2 Attaching motor
安裝馬達

RMX Motor LCG Mode
RMX低重心模式

RMX Motor HCG Mode
RMX高重心模式

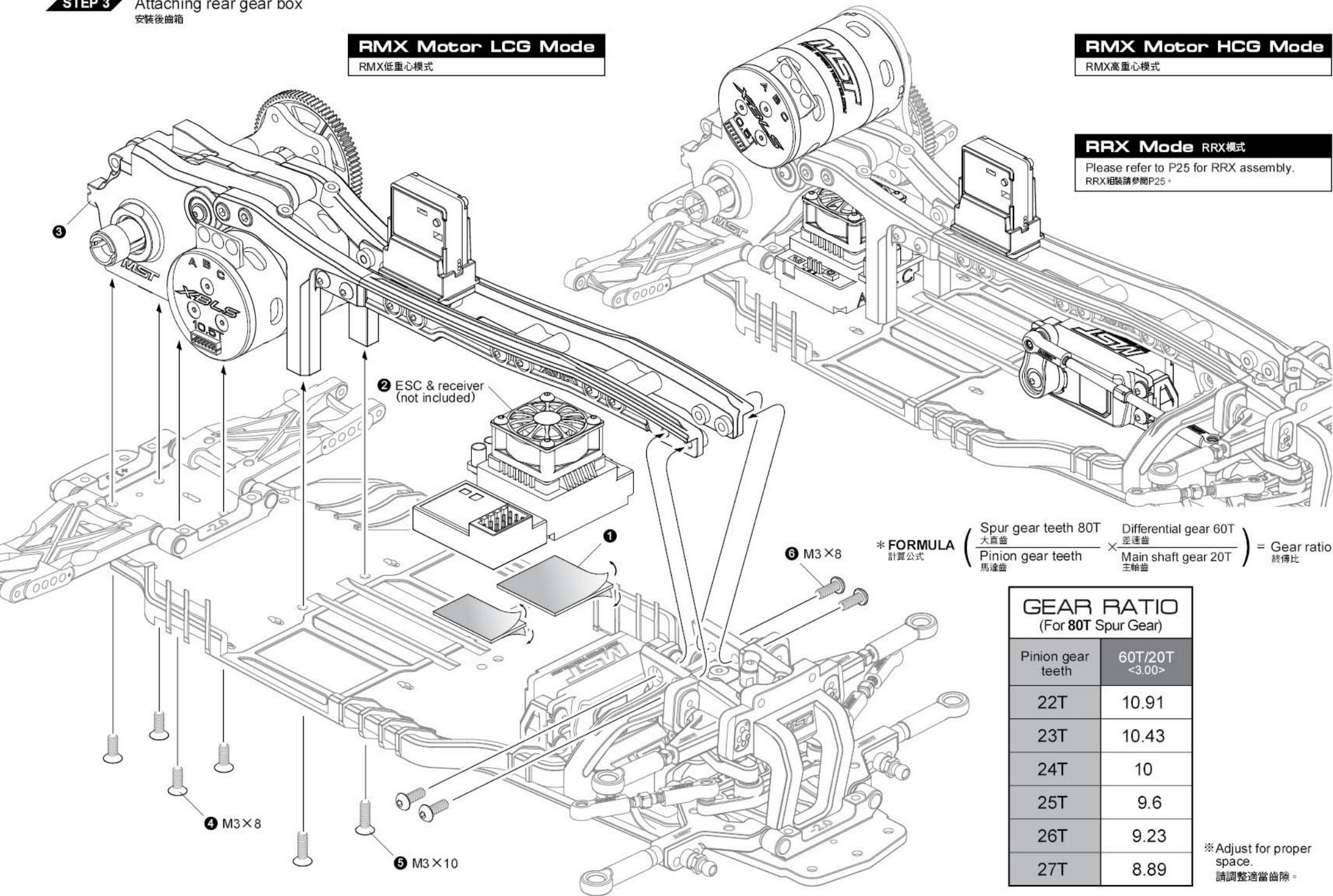


STEP 3 Attaching rear gear box
安裝後齒箱

RMX Motor LCG Mode
RMX低重心模式

RMX Motor HCG Mode
RMX高重心模式

RRX Mode RRX模式
Please refer to P25 for RRX assembly.
RRX組裝請參閱P25。



* FORMULA 計算公式 $\left(\frac{\text{Spur gear teeth 80T 大直齒}}{\text{Pinion gear teeth 馬達齒}} \times \frac{\text{Differential gear 60T 差速齒}}{\text{Main shaft gear 20T 主軸齒}} \right) = \text{Gear ratio 終傳比}$

GEAR RATIO (For 80T Spur Gear)	
Pinion gear teeth	60T/20T <3.00>
22T	10.91
23T	10.43
24T	10
25T	9.6
26T	9.23
27T	8.89

※ Adjust for proper space.
請調整適當齒隙。