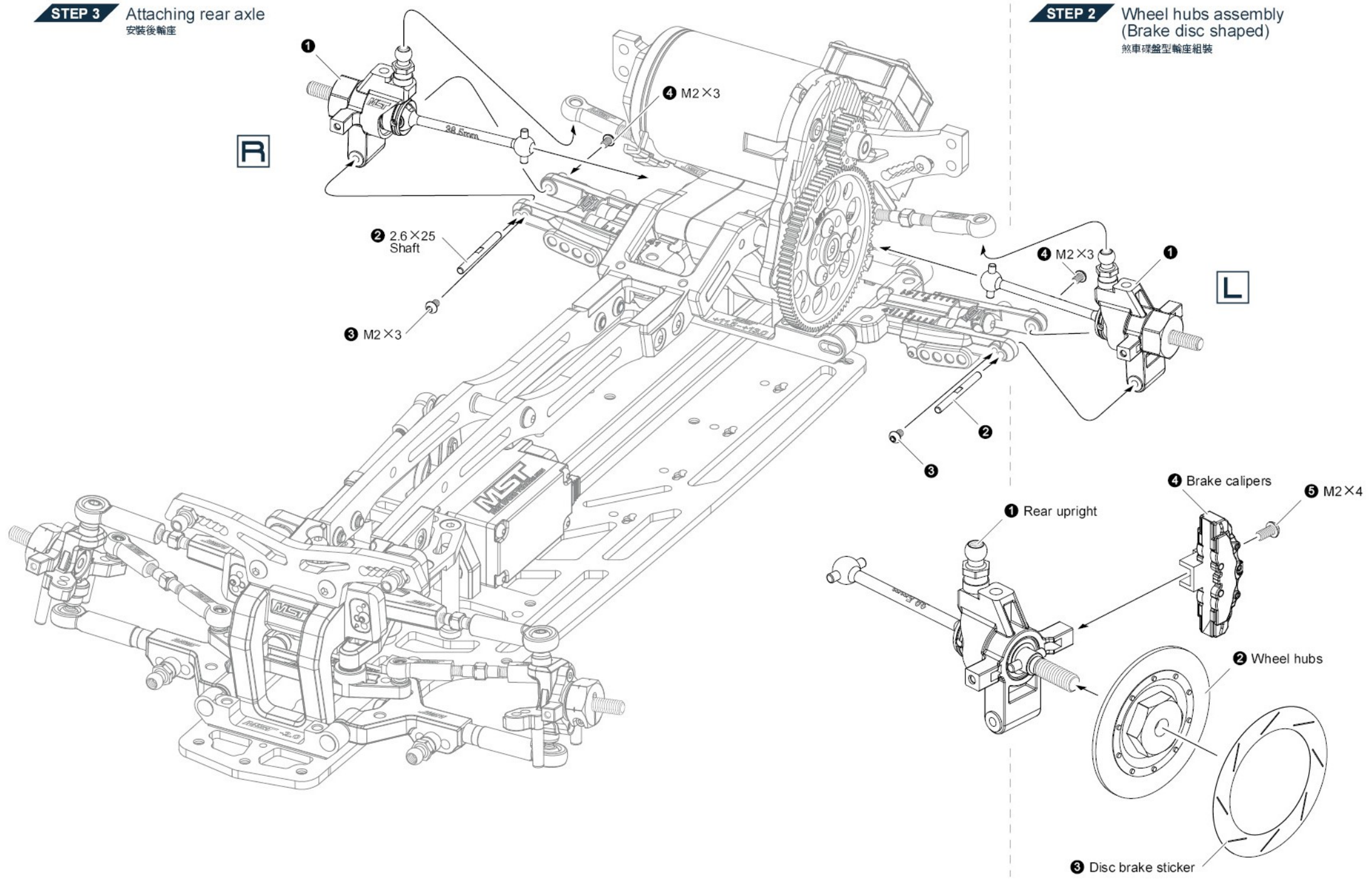


STEP 3 Attaching rear axle
安裝後輪座

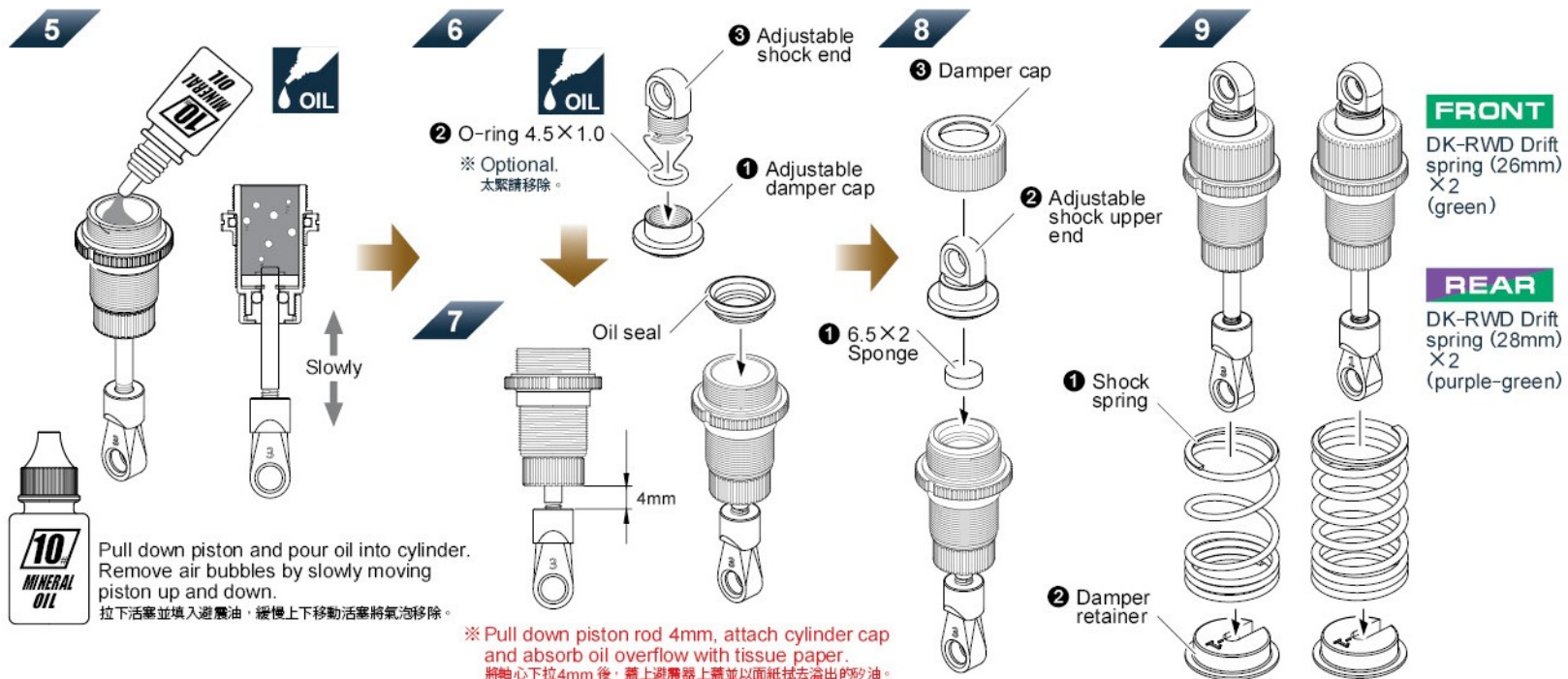
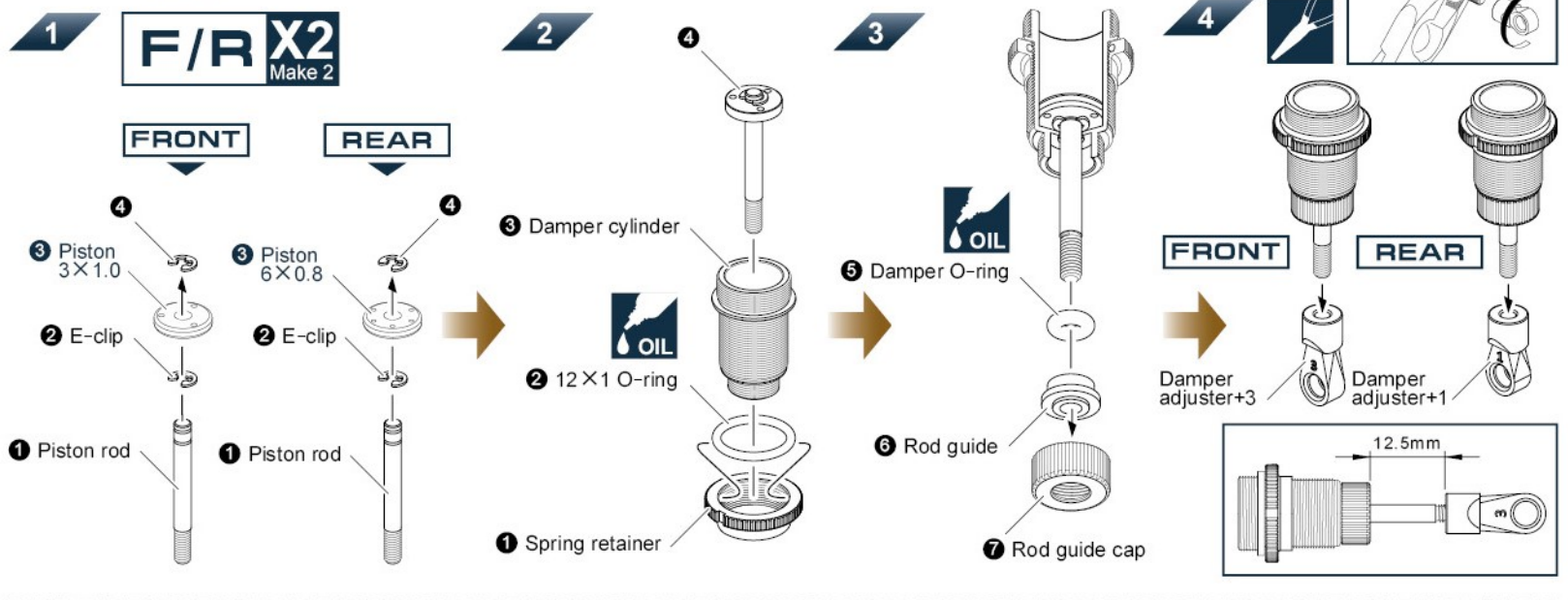
STEP 2 Wheel hubs assembly
(Brake disc shaped)
煞車碟盤型輪座組裝



- DK-RWD Drift spring (26mm) ×2 (green)
DK-RWD 轉移車前避震彈簧(26mm) (綠)
- Spring retainer ×4
避震調整環
- DK-RWD Drift spring (28mm) ×2 (purple-green)
DK-RWD 轉移車後避震彈簧(28mm) (紫綠)
- Damper cap ×4
避震器上蓋
- E-clip ×8
E扣
- Rod guide ×4
避震器下蓋墊片
- Damper cylinder ×4
避震筒身
- Damper O-ring P3 ×4
避震器O環
- 6.5×2 Sponge ×4
泡棉
- Rod guide cap ×4
避震器下蓋
- 4.5×1 O-ring ×4
O環
- 12×1 O-ring ×4
O環
- 3×1.0 Piston ×2
避震活塞
- 6×0.8 Piston ×2
避震活塞
- Low pressure damper seal ×4
避震器氣室(低內壁)
- Damper retainer ×4
避震器彈簧座
- Piston rod ×4
避震軸心
- Adjustable damper cap ×4
可調下座
- Damper adjuster ×2
避震器拉桿
- Adjustable shock end ×4
可調上球頭座
- Damper adjuster ×2
避震器拉桿

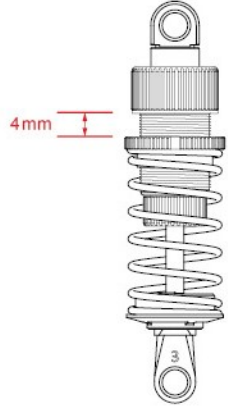
STEP 1 Damper assembly
避震器組裝

※ Please assemble the part by number in the circle.
請按照球號順序組裝

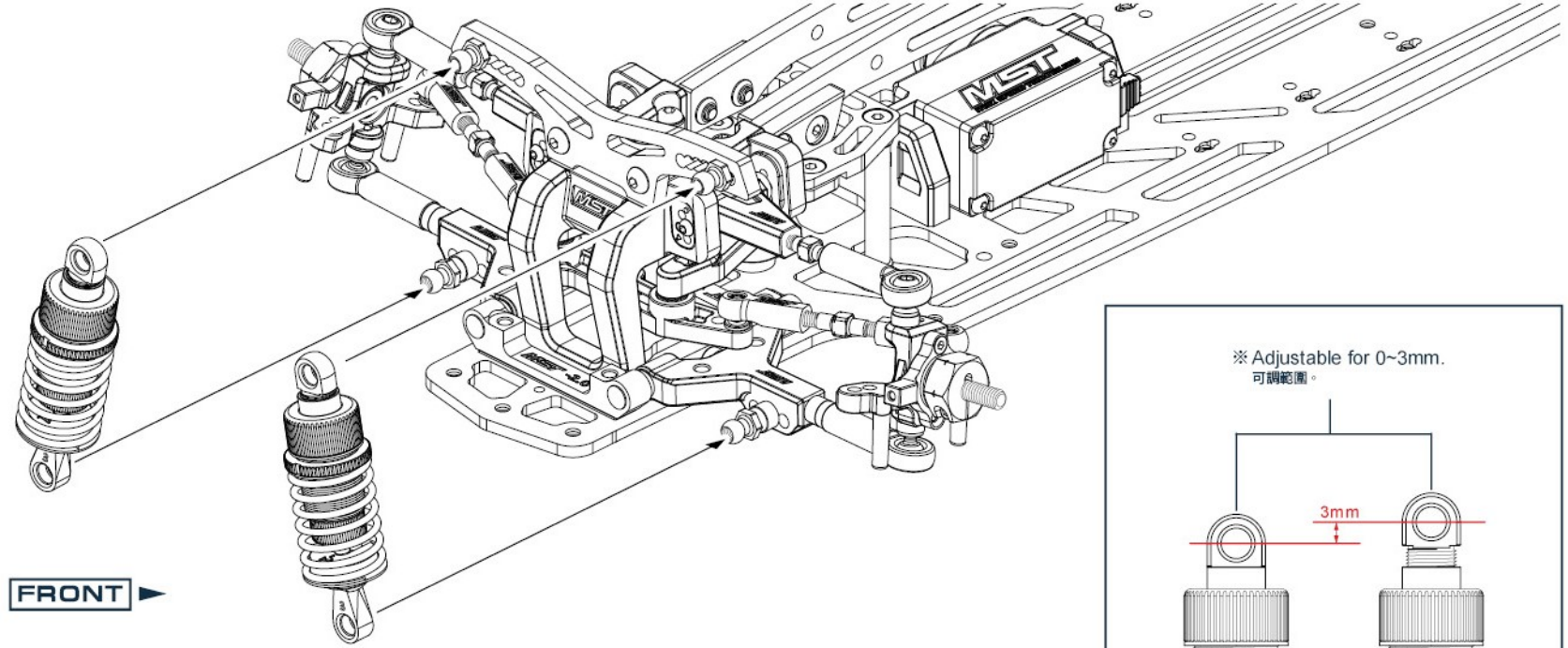


STEP 2 Attaching damper
安裝避震器

FRONT



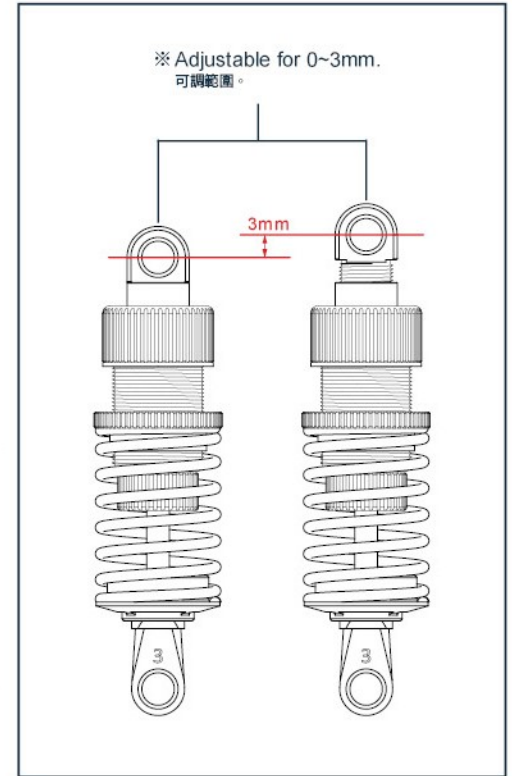
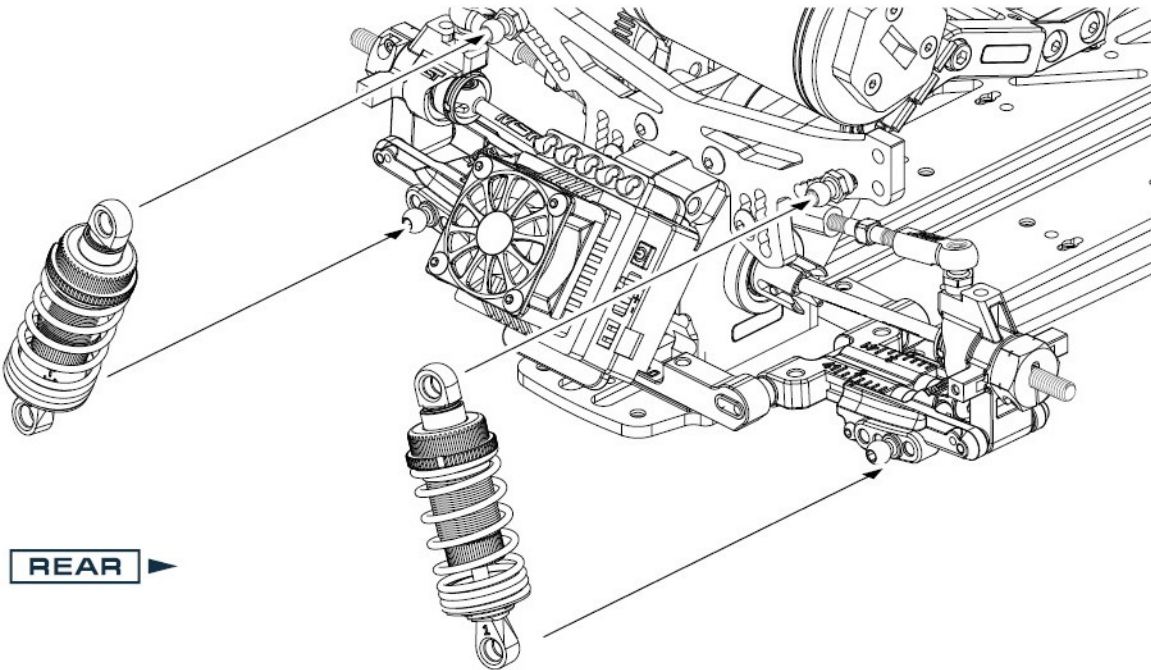
FRONT

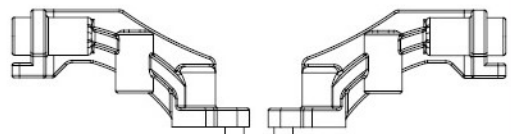


REAR

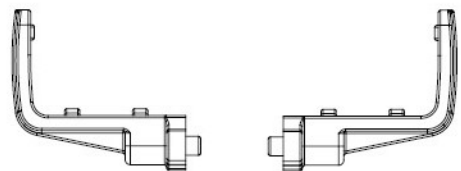


REAR





Battery mounts A (R) ×1 電池座 A (R)
Battery mounts A (L) ×1 電池座 A (L)



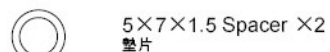
Battery mounts B (L) ×1 電池座 B (L)
Battery mounts B (R) ×1 電池座 B (R)



Heightened spacer R ×1 增高墊片 R



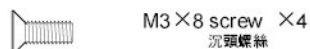
Heightened spacer L ×1 增高墊片 L



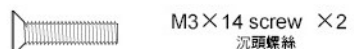
5×7×1.5 Spacer ×2 墊片



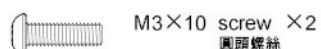
Battery baffle ×2 電池擋片



M3×8 screw ×4 沉頭螺絲



M3×14 screw ×2 沉頭螺絲

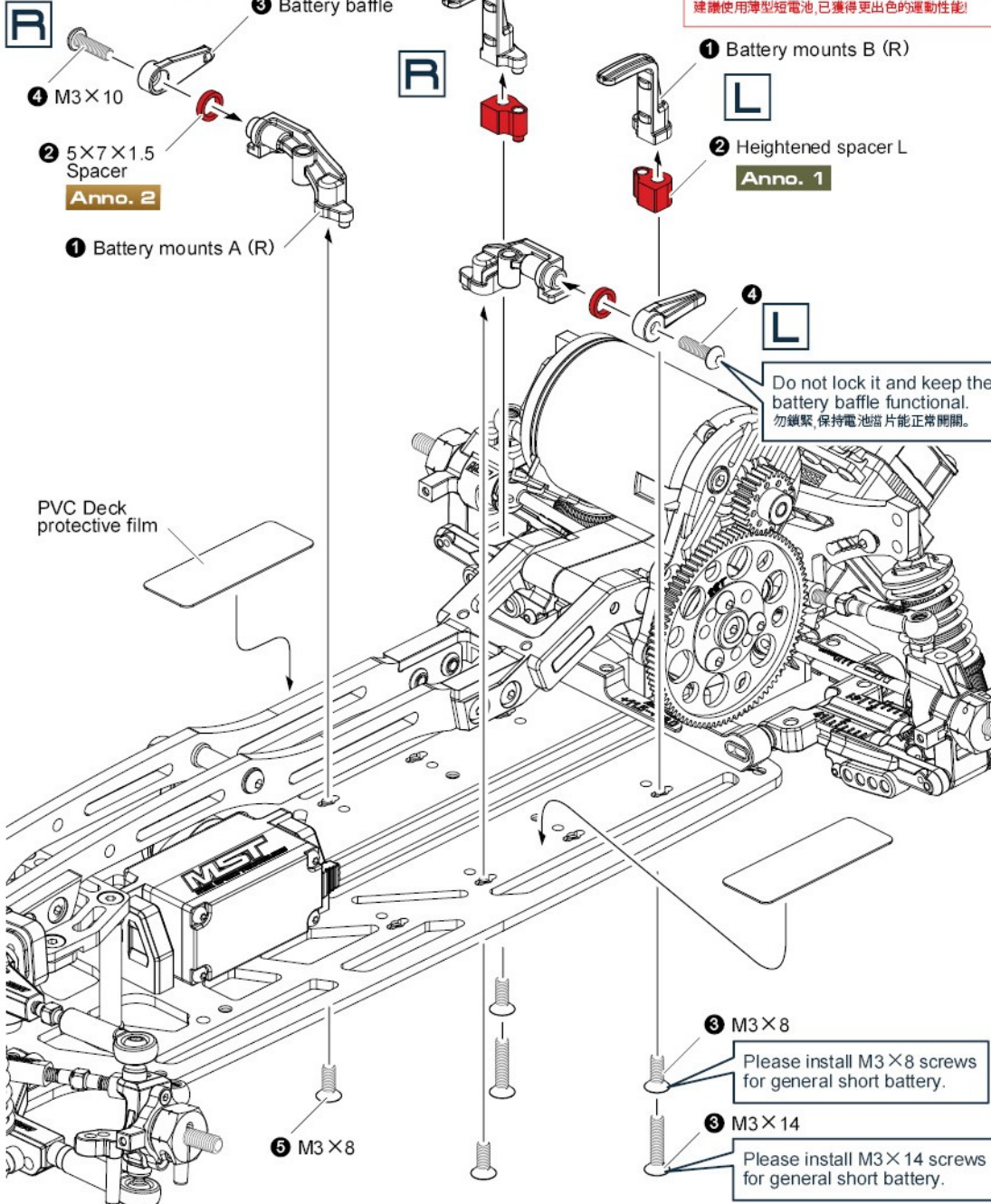


M3×10 screw ×2 圓頭螺絲



PVC Deck protective film ×2 PVC 底盤防刮貼紙

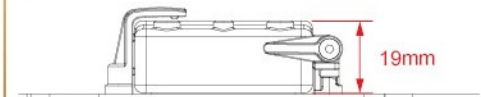
STEP 1 Attaching battery mounts
安裝電池固定座



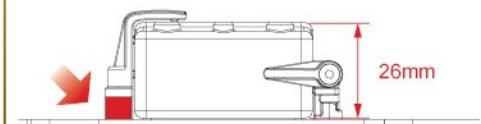
BATTERY HOLDER HEIGHT / LENGTH ADJUSTMENT INSTRUCTIONS

Anno. 1
註1

Remove heightened spacer for a thin short battery
薄型短電池請移除增高墊片

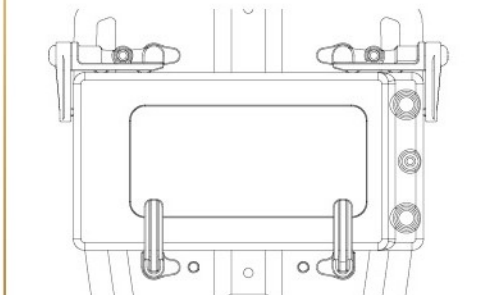


Add heightened spacer for a general short battery
一般型短電池請加裝增高墊片

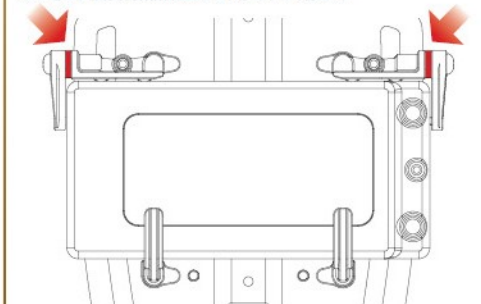


Anno. 2
註2

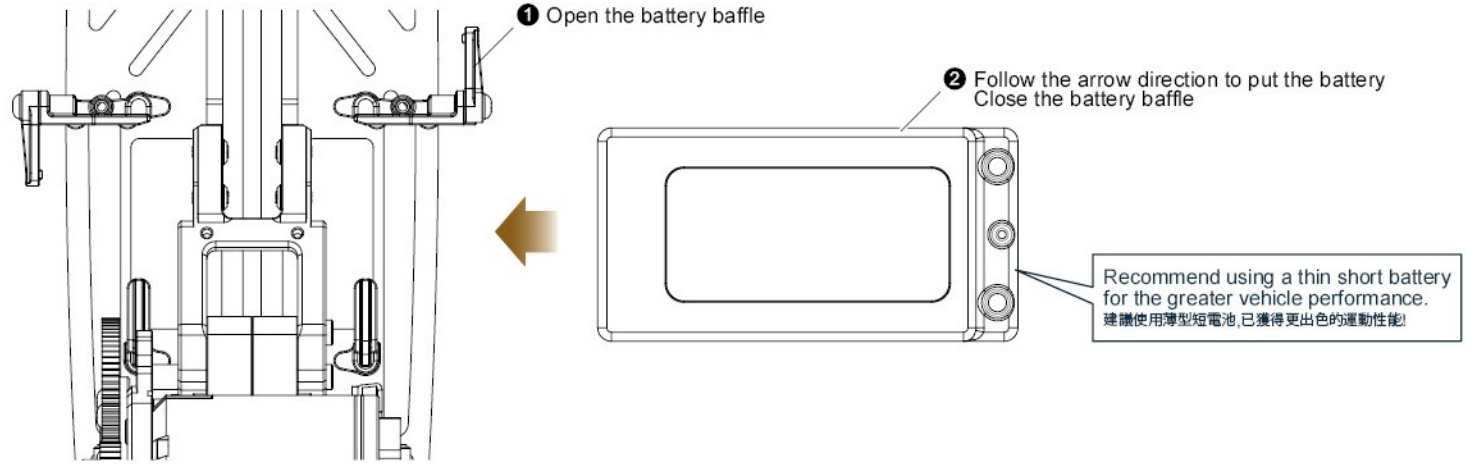
Remove 5×7×1.5 spacer for a short battery within 93.5mm length
短型電池長度93.5mm以下請移除5×7×1.5墊片



Add 5×7×1.5 spacer for a short battery above 93.5mm length
短型電池長度93.5mm以上請加裝5×7×1.5墊片



STEP 1 Attaching Battery
安裝電池



Flange nut M4 × 4
凸緣螺帽M4

Bag 7



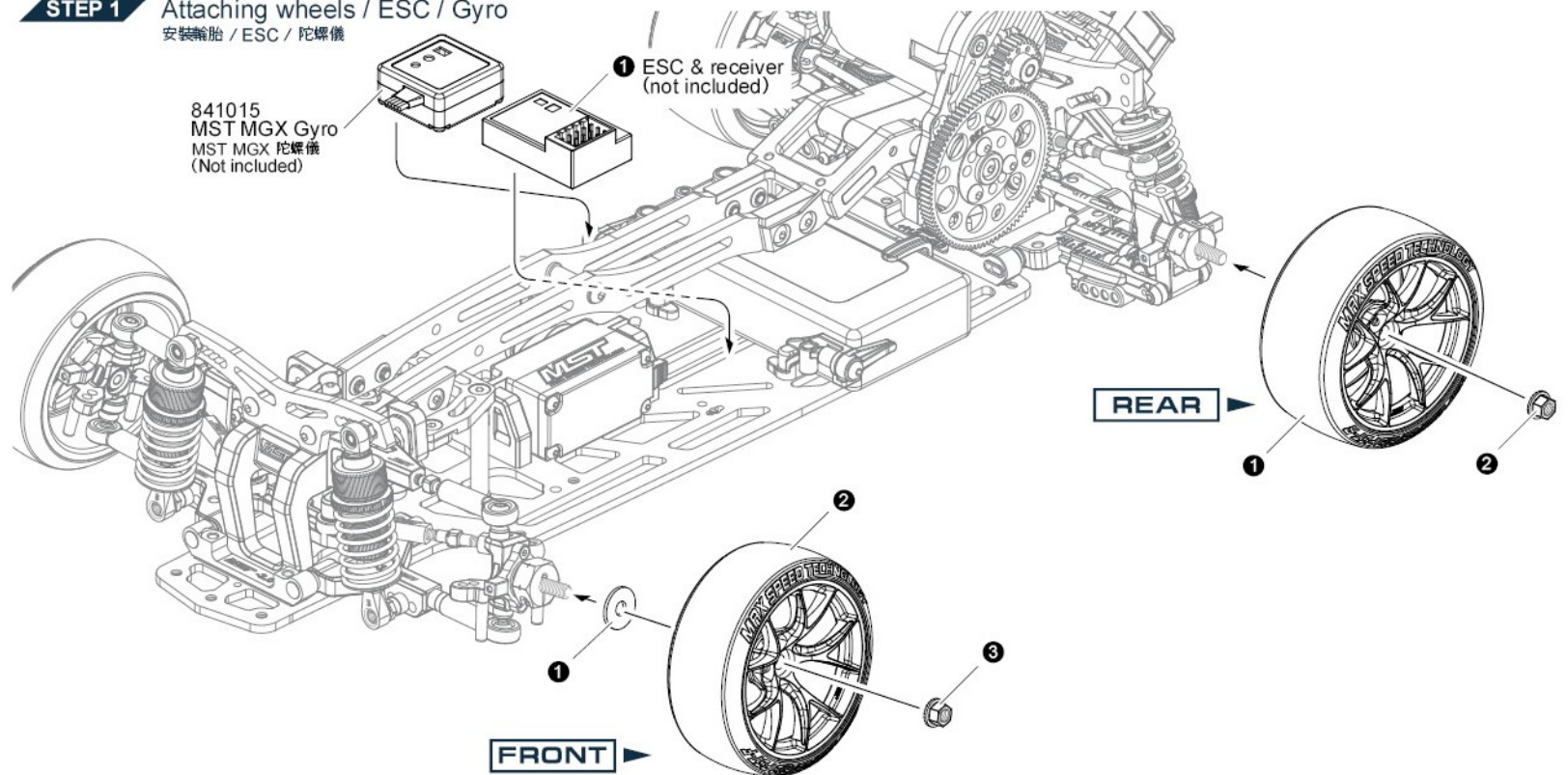
Wheel hub spacer 1.0 × 2
輪座墊片 1.0

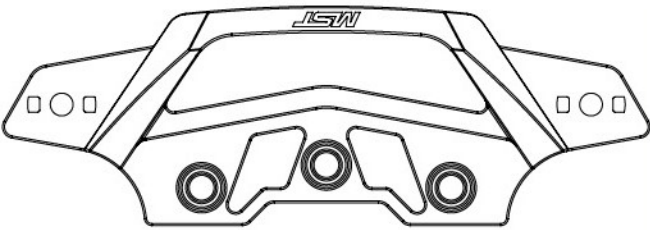
Bag 7



※ NOT including.
Please refer to MST website for the
wheel & tire types.
胎框組須另購,詳情請見官網。
[www.rc-mst.com]

STEP 1 Attaching wheels / ESC / Gyro
安裝輪胎 / ESC / 陀螺儀

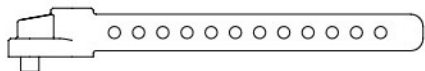




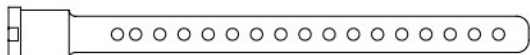
Bumper support ×1
防撞板上蓋



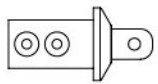
Rear bumper ×1
防撞板下座



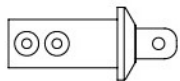
Rear body mount ×2
後車殼支柱



Front body mount ×2
前車殼支柱



Body mount cover M ×2
支柱套 M



Body mount cover L ×2
支柱套 L



M3×10 screw ×2
圓頭螺絲



M3×8 screw ×5
沉頭螺絲

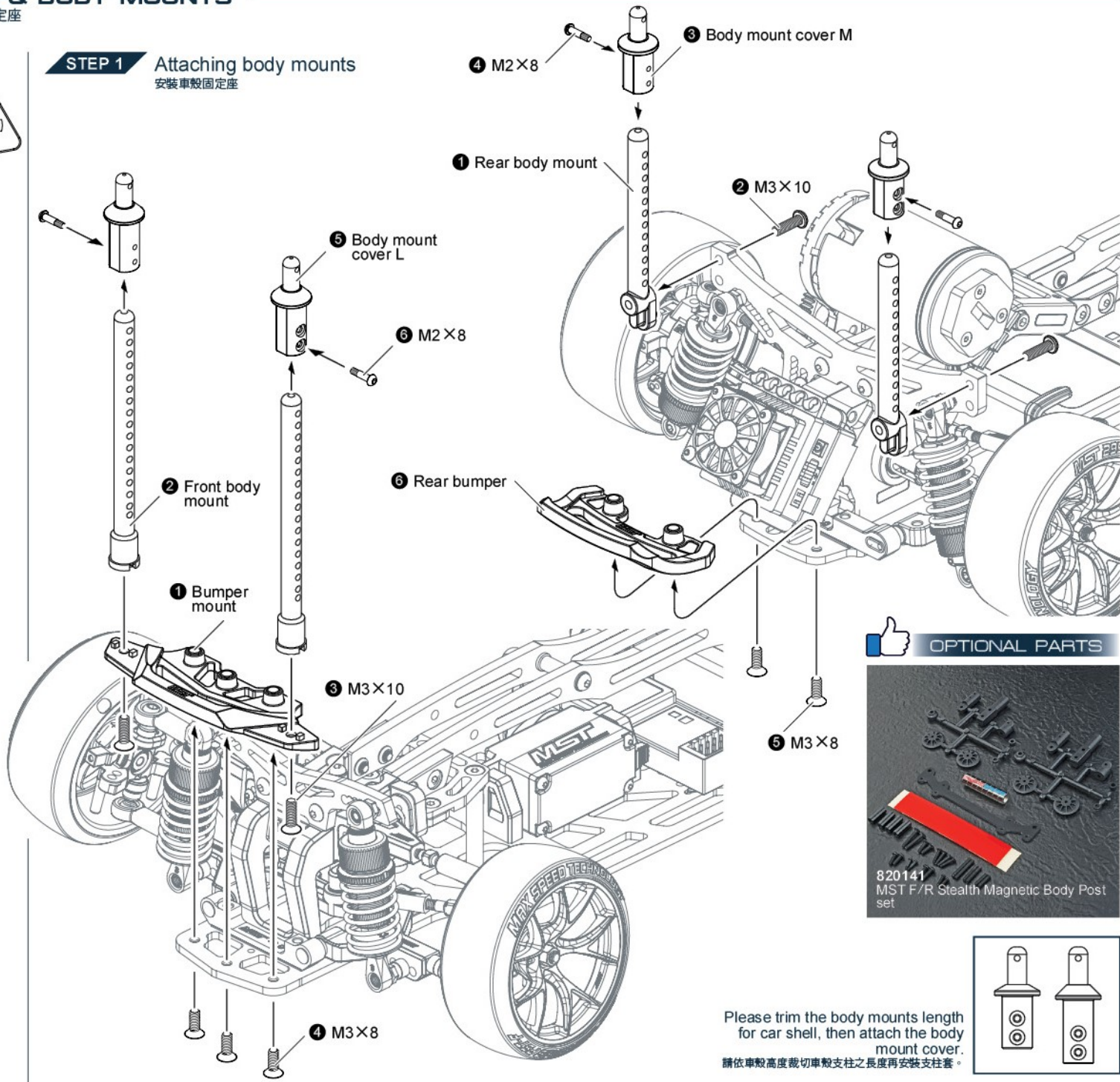


M3×10 screw ×2
沉頭螺絲



M2×8 screw ×4
圓頭螺絲

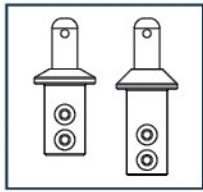
STEP 1 Attaching body mounts
安裝車殼固定座



OPTIONAL PARTS

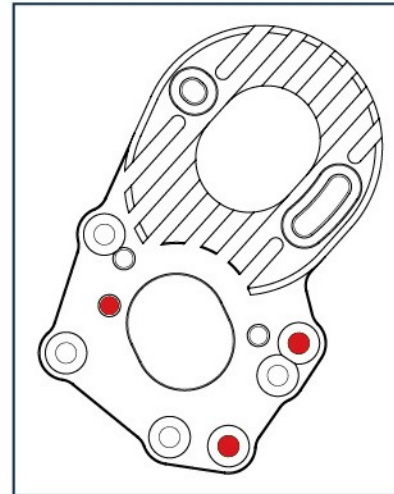
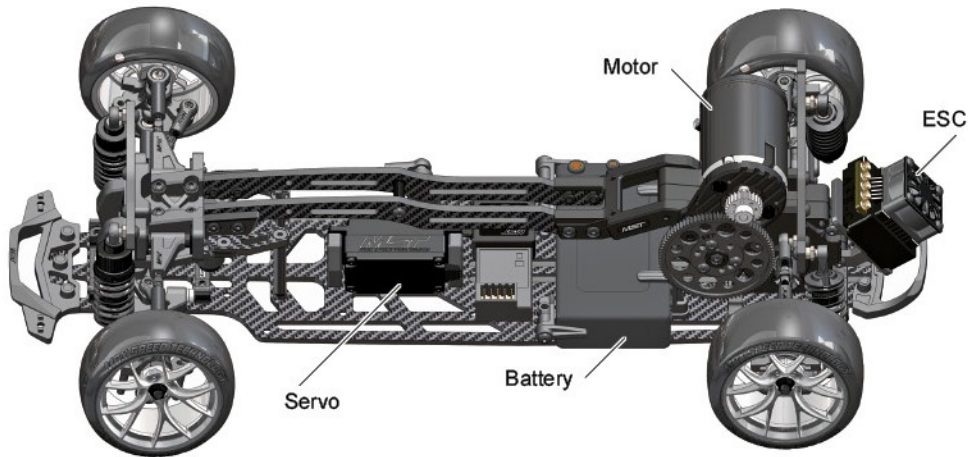
820141
MST F/R Stealth Magnetic Body Post set

Please trim the body mounts length for car shell, then attach the body mount cover.
請依車殼高度裁切車殼支柱之長度再安裝支柱套。



RMX Motor HCG Mode 1

RMX 高重心模式 1



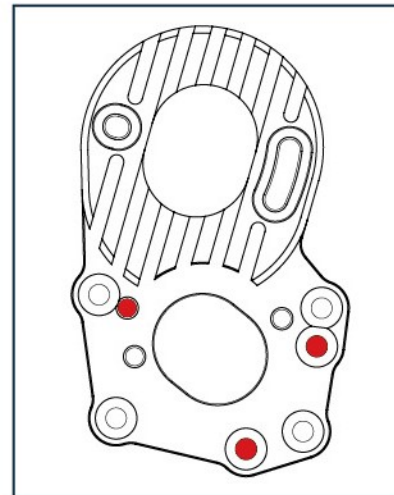
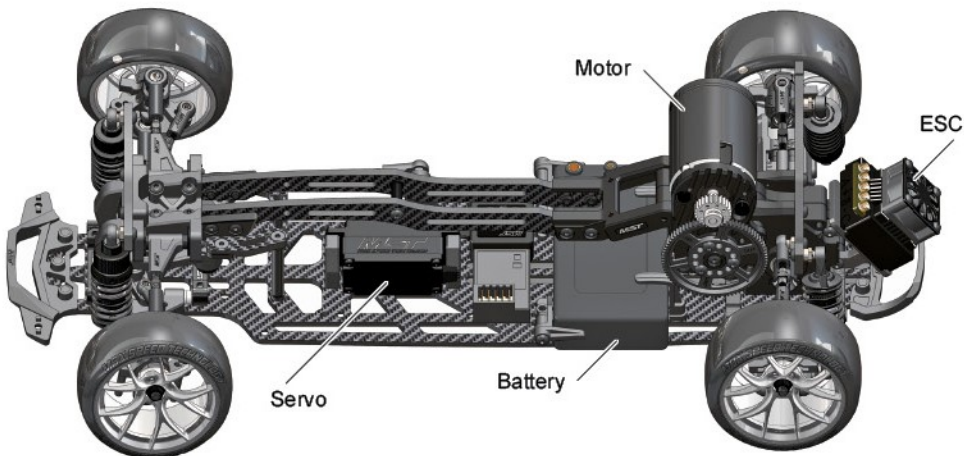
* FORMULA 計算公式 $\left(\frac{\text{Spur gear teeth 88T 大直齒 馬達齒}}{\text{Pinion gear teeth}} \times \frac{\text{Differential gear 60T 差速齒}}{\text{Main shaft gear 20T 主軸齒}} \right) = \text{Gear ratio 終傳比}$

GEAR RATIO (For 88T Spur Gear)	
Pinion gear teeth	60T/20T <3.00>
20T	13.2
21T	12.57
22T	12
23T	11.48
24T	11
25T	10.56
26T	10.15
27T	9.78
28T	9.43
29T	9.1
30T	8.8

※ Adjust for proper space.
請調整適當齒隙。

RMX Motor HCG Mode 2

RMX 高重心模式 2



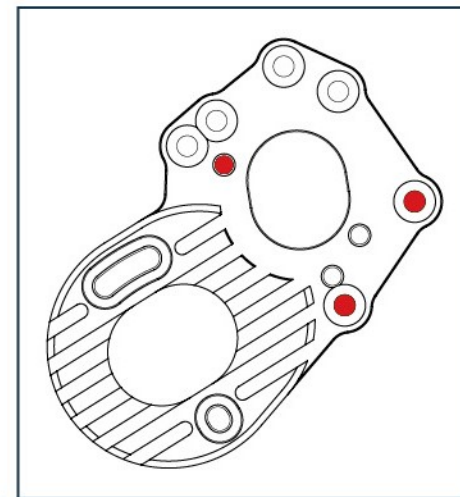
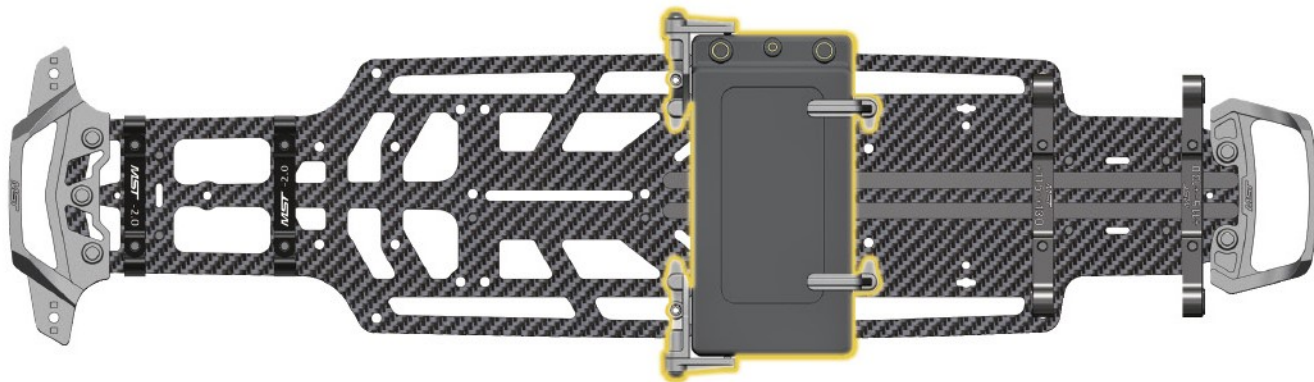
* FORMULA 計算公式 $\left(\frac{\text{Spur gear teeth 80T 大直齒 馬達齒}}{\text{Pinion gear teeth}} \times \frac{\text{Differential gear 60T 差速齒}}{\text{Main shaft gear 20T 主軸齒}} \right) = \text{Gear ratio 終傳比}$

GEAR RATIO (For 80T Spur Gear)	
Pinion gear teeth	60T/20T <3.00>
20T	12
21T	11.43
22T	10.91
23T	10.43
24T	10
25T	9.6
26T	9.23
27T	8.89
28T	8.57
29T	8.28
30T	8
31T	7.74

※ Adjust for proper space.
請調整適當齒隙。

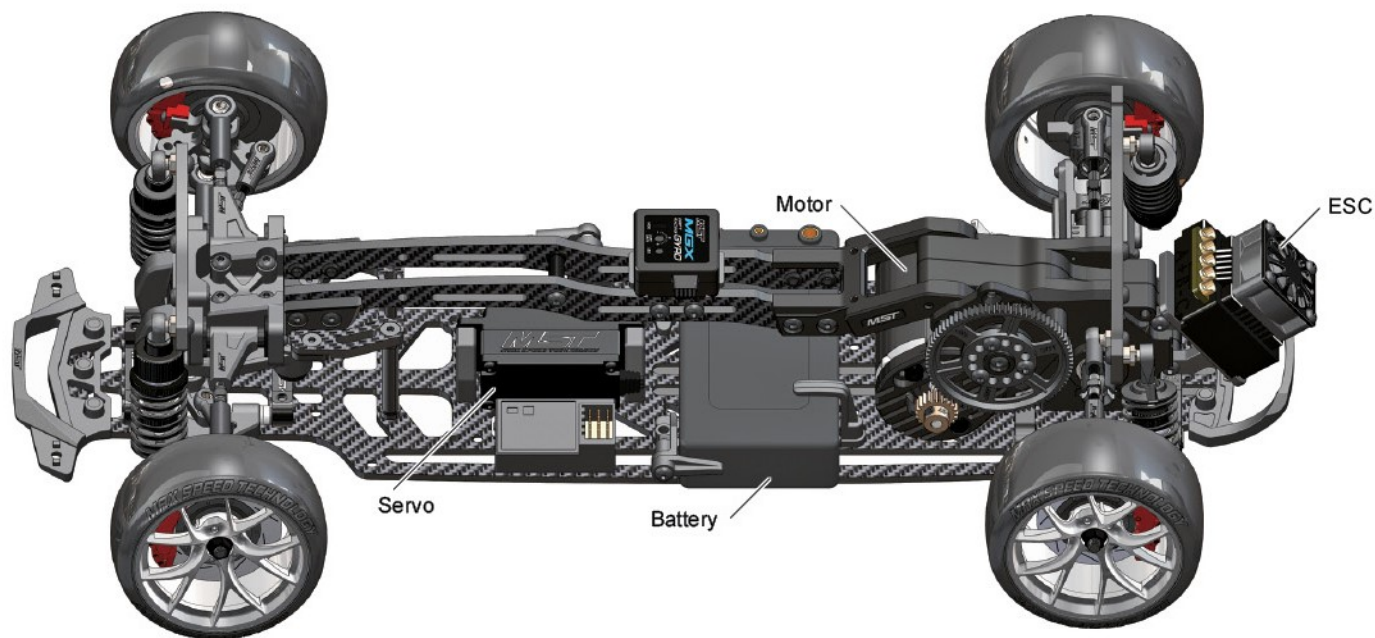
RMX Motor LCG Mode

RMX 低重心模式



GEAR RATIO (For 80T Spur Gear)	
Pinion gear teeth	60T/20T <3.00>
21T	11.43
22T	10.91
23T	10.43
24T	10
25T	9.6
26T	9.23
27T	8.89
28T	8.57
29T	8.28
30T	8

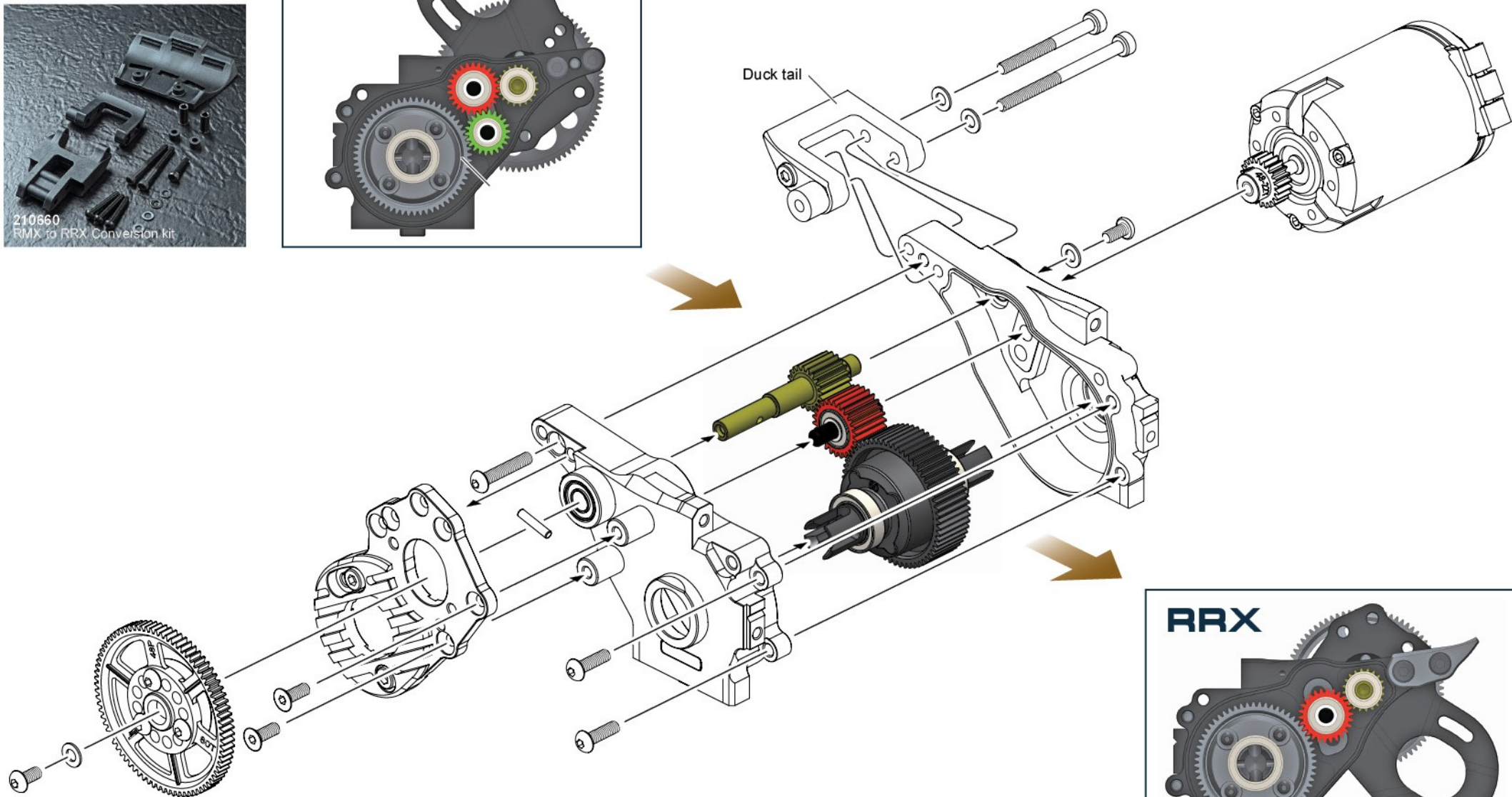
※ Adjust for proper space.
請調整適當齒隙。



※ FORMULA 計算公式 $\left(\frac{\text{Spur gear teeth 80T 大直齒}}{\text{Pinion gear teeth 馬達齒}} \times \frac{\text{Differential gear 60T 差速齒}}{\text{Main shaft gear 20T 主軸齒}} \right) = \text{Gear ratio 終傳比}$

STEP 1 Attaching RRX drive system
安裝 RRX 驅動系統

PLEASE PURCHASE
請另購



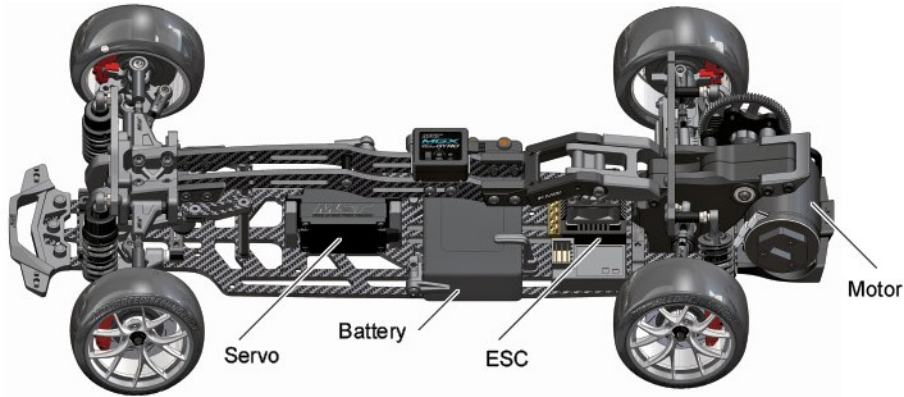
PLEASE PURCHASE
請另購



110108
Cap screw M3 X 14 (6)

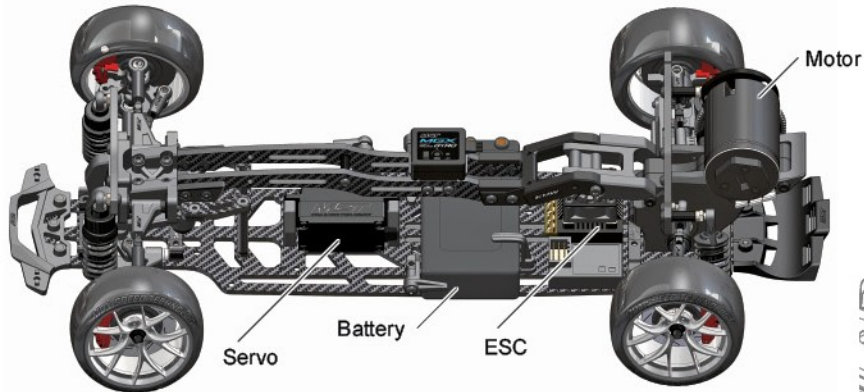
RRX Motor LCG Mode

RRX 低重心模式

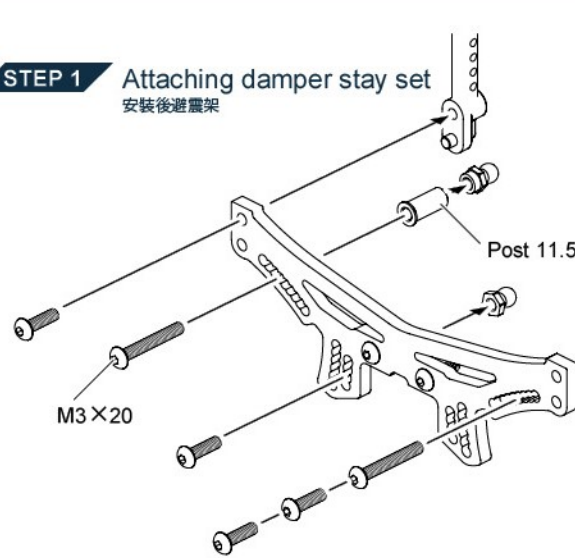


RRX Motor HCG Mode

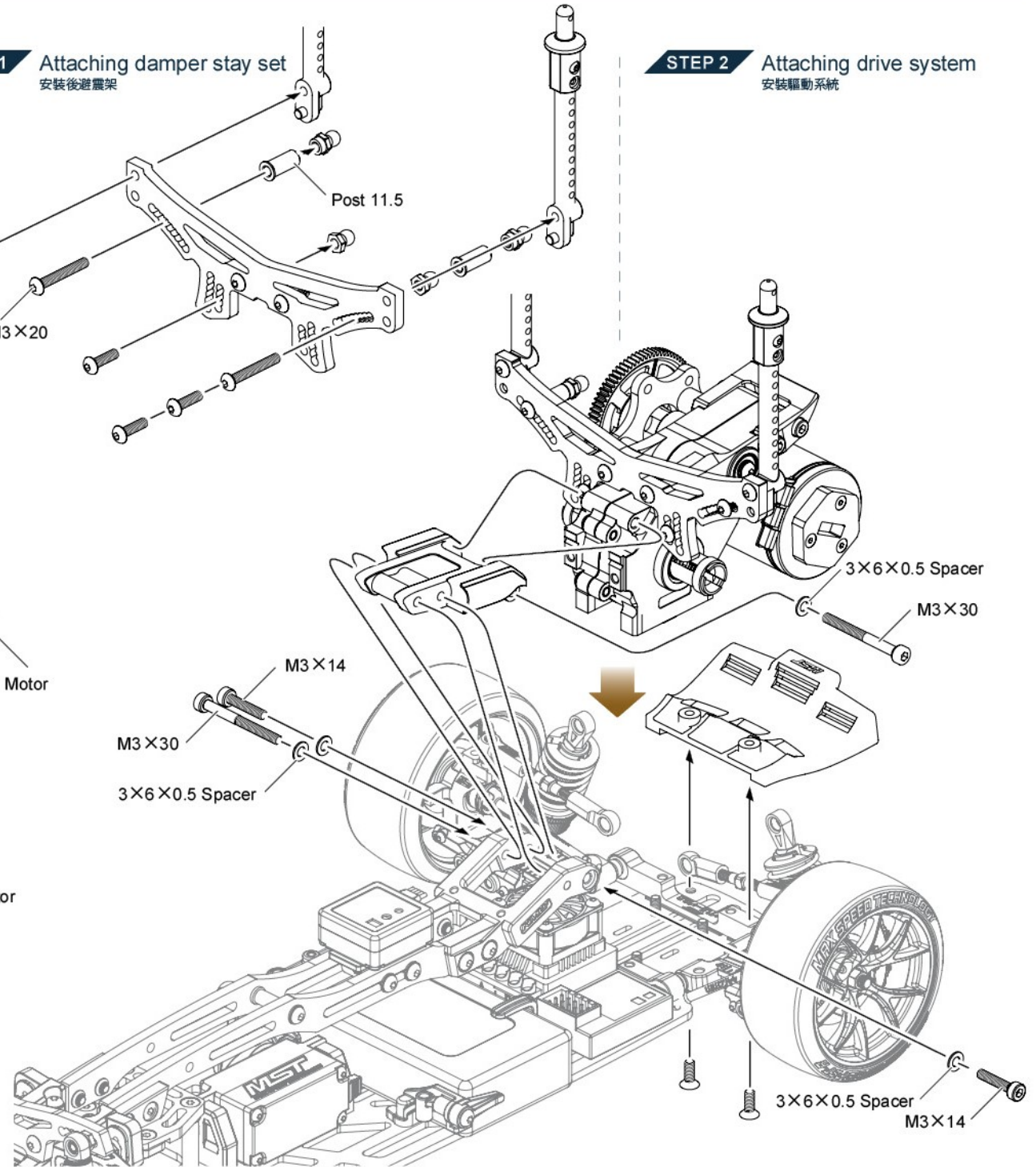
RRX 高重心模式



STEP 1 Attaching damper stay set
安裝後避震架



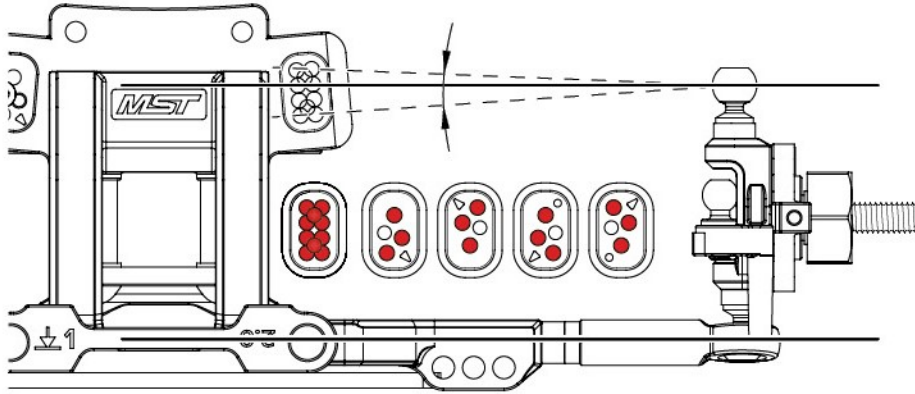
STEP 2 Attaching drive system
安裝驅動系統



STEERING SYSTEM FUNCTION ADJUSTING INSTRUCTIONS

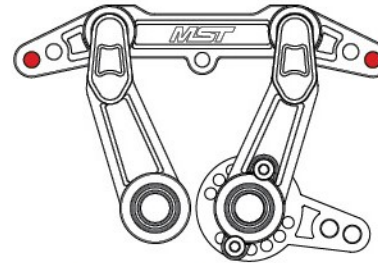
轉向系統功能調整說明

STEP 1 Front upper arm setting 前上擺臂設定

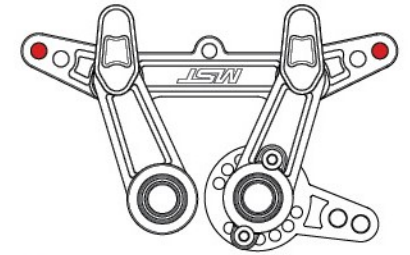


STEP 2 Steering setting 轉向設定

NORMAL
正裝



REVERSE
反裝



Shorten the steering arm stroke (Shorter EPA stroke)

縮短轉向搖臂行程 (EPA 行程較短)

The parallel time of the two rounds at the beginning of the steering movement is longer and the end of the increase in the Ackerman angle is shorter.

轉向運動初期兩輪平行時間較長，進入末期加大阿克曼角時間較短。

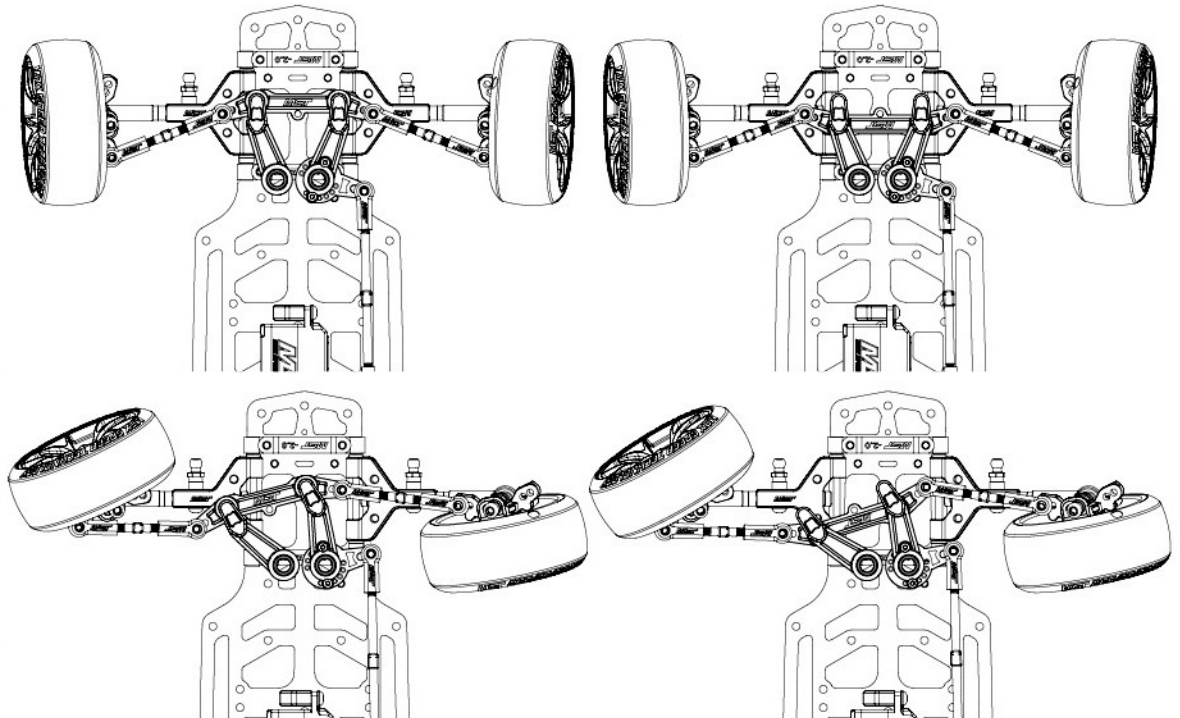
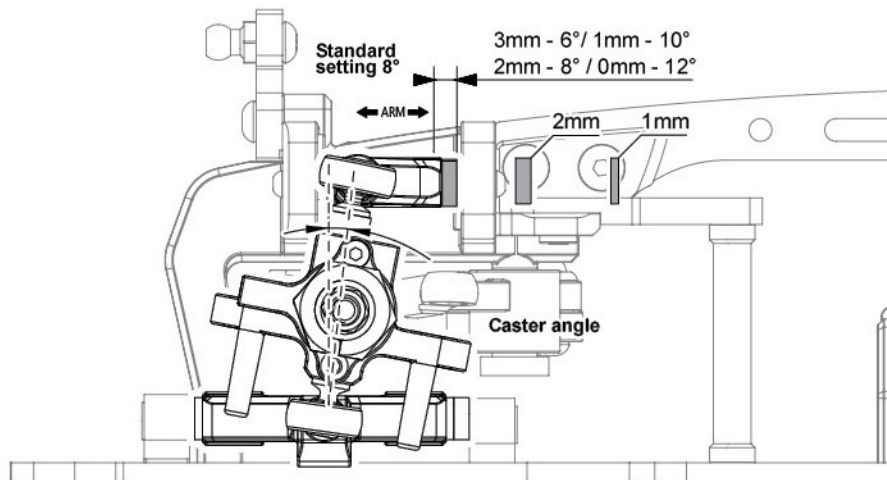
Extend the steering arm stroke (Longer EPA stroke)

延長轉向搖臂行程 (EPA 行程較長)

The parallel time of the two rounds at the beginning of the steering movement is shorter and the end of the increase in the Ackerman angle is longer.

轉向運動初期兩輪平行時間較短，進入末期加大阿克曼角時間較長。

STEP 3 Rear caster angle setting 後傾角設定



DATE: Plastic tiles

SURFACE: _____

TRACK: MST Station

NOTE: _____

Caster

6°
 8°
 10°
 12°

Steering

FRONT	REAR
Tire: <u>Silver</u>	Tire: <u>Silver</u>
Wheel: <u>GT</u>	Wheel: <u>GT</u>
Offset: <u>+5</u>	Offset: <u>+5</u>

Front upright

2 mm
 0 mm
 2 mm

L F

Front suspension

Camber: 75°
 Toe-out: 3.6

1 mm
 10.5 mm
 15.9 mm
 5 mm

Ride height: 10 mm ↓ GROUND

Mode

RMX Motor HCG Mode 1
 RMX Motor HCG Mode 2
 RMX Motor LCG Mode
 RRX Motor LCG Mode

Rear suspension

Camber: 2
 Toe-in: 1.5

GROUND ↓ Ride height: 5 mm

Rear upright

0 mm

Front Suspension mount Rollcenter

-2.0
 0.5 mm
 -2.0
 0 mm

Rear Suspension mount Rollcenter

+2.5
 0 mm
 +3
 1 mm

Front damper

2 mm

Shock oil: #10
 Spring: 2.6 mm φ1.2
 Spring color: Green
 Piston: φ1.0 mm
 Piston hole: 3

Rear diff

Gear diff.
 Diff oil #3000

Spur Gear + Pinion Gear × Reduction Gear = Gear ratio
88 T + 20 T × 3 = 13.2
 Motor & ESC: _____ Battery: _____
 Transceiver: _____ Gyro: _____ Sensitivity: _____



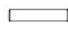














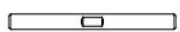









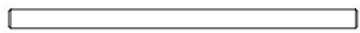

















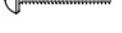
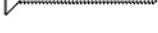






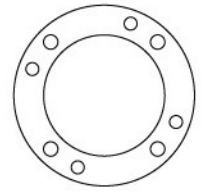




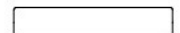


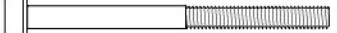









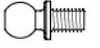

Rear damper

1 mm

Shock oil: #10
 Spring: 2.8 mm φ1.4
 Spring color: Purple-Green
 Piston: φ0.8 mm
 Piston hole: 6

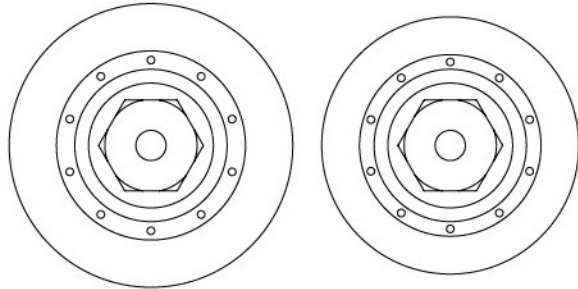
PARTS

Color 顏色	Remark 標示
Red 紅 / BACK 黑	R / BK

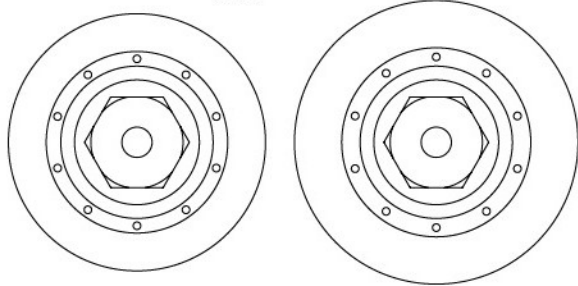
 M1.6×4 screw ×4 有頭螺絲 110039S	 M3×2.6 screw ×2 止付螺絲 110060	 1.5×7.8 Shaft ×2 插銷 110059	 3×6×0.5 Spacer ×16 墊片 110047	 3×5.5×2 Alum. Spacer ×6 鋁合金墊片 820027BK
 M2×8 screw ×4 圓頭螺絲 (半牙) 110045	 M3×12 screw ×2 止付螺絲 110056	 2×9.8 Shaft ×5 插銷 110017	 O-ring P4 (紅) ×8 O環 P4 (紅) 130025	 3×5.5×3 Alum. Spacer ×10 鋁合金墊片 820028BK
 M2×3 screw ×4 圓頭螺絲 110082	 M2×6 Screw ×2 沉頭螺絲 110042	 2×9.8 Shaft ×2 插銷 110046	 2.5×5 Suspension balls ×8 插銷球頭 210321	 3×5.5×7 Spacer ×1 墊片 820077BK
 M2×4 screw ×8 圓頭螺絲 110004	 M3×6 screw ×2 沉頭螺絲 110024	 2×22 Shaft ×2 插銷 310047	 Cross joint ×2 連接軸 820030	 3×6×2.5 Bearing ×4 軸承 120024
 M2×8 screw ×10 圓頭螺絲 110063	 M3×8 screw ×31 沉頭螺絲 110005	 2×28 Shaft ×2 插銷 310103	 Post 11.5 ×2 支柱 11.5 210593	 4×6×0.3 Spacer ×4 墊片 820017
 M2×8 screw ×10 圓頭螺絲 110063	 M3×8 screw ×31 沉頭螺絲 110005	 2.5×46 Arm shaft ×4 擺臂插銷 310048	 Alum. wheel nut (black) ×4 鋁合金輪碟螺帽 820001BK	 5×7×0.1 Spacer ×2 墊片 820018
 M3×6 Screw ×9 圓頭螺絲 110001	 M3×10 screw ×6 沉頭螺絲 110052	 Suspension mount spacer 0.5mm (black) ×4 擺臂座墊片 0.5mm (黑) 820063BK	 Alum. wheel hubs ×4 鋁合金六角輪座 820122BK	 5×7×0.3 Spacer ×2 墊片 820020
 M3×8 screw ×10 圓頭螺絲 110002	 M3×12 Screw ×2 沉頭螺絲 110043	 MST-PVC Sticker ×4 MST-PVC貼紙 710001	 R-clip 5.0 ×6 R-銷 5.0 820075	 2.5×9×0.1 Spacer ×8 墊片 310040
 M3×10 screw ×15 圓頭螺絲 110026	 M3×14 Screw ×2 沉頭螺絲 110081	 M3×16 Screw ×1 沉頭螺絲 110073	 M3×16 Alum. reinforced tumbuckle ×2 鋁合金強化可調拉桿 810006BK	 4×14×0.1 Spacer ×8 墊片 310039
 M3×12 screw ×1 圓頭螺絲 110029	 M3×20 Screw ×2 沉頭螺絲 110101	 M3×25 Steel reinforced tumbuckle ×2 鋼製強化可調拉桿 810029	 M3×28 Alum. tumbuckle (black) ×4 鋁製可調拉桿 (黑) 810009BK	 4×8×3 Ball bearing ×2 培林 120013
 M3×14 screw ×6 圓頭螺絲 110061	 M3×6 Screw ×2 有頭螺絲 (半牙) 110011	 M3×28 Alum. tumbuckle (black) ×1 鋁製可調拉桿 (黑) 210218BK	 Gear Diff. Gasket ×1 傘差止滑墊片組 230160	 5×8 Ball bearing ×8 培林 120003
 M3×16 screw ×2 圓頭螺絲 110086	 M3×30 Screw ×1 有頭螺絲 (半牙) 110100	 M3×68 Alum. tumbuckle (black) ×1 鋁製可調拉桿 (黑) 210218BK	 4×21 Steel center shaft ×2 鋼製心軸 310119	 4×10 Ball bearing ×2 培林 120018
 M3×20 screw ×4 圓頭螺絲 110088	 M3×40 Screw ×3 有頭螺絲 (半牙) 110091	 2WD Axle ×2 二驅輪軸 820095	 Steel CVD great angle universal shaft 44 ×2 鋼製大角度CVD傳動軸 44 820005	 5×10 Ball bearing ×6 培林 120002
 4.8 Ball connector ×5 外六角球頭 210161	 2WD Axle ×2 二驅輪軸 820095	 Wheel axle ×2 萬向接杯 310065	 Alum. Main shaft 20T ×1 鋁合金主齒軸 20T 310118	 10×15 Ball bearing ×2 培林 120001
 4.8 Ball connector L ×6 外六角球頭 (長) 210344				
 4.8×4.5 Ball connector ×7 球頭螺絲 310001				
 5.8×6 Ball connector ×4 球頭螺絲 210625				

PARTS

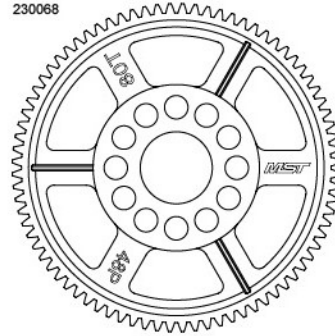
Color 顏色	Remark 標示
Red 紅 / BACK 黑	R / BK



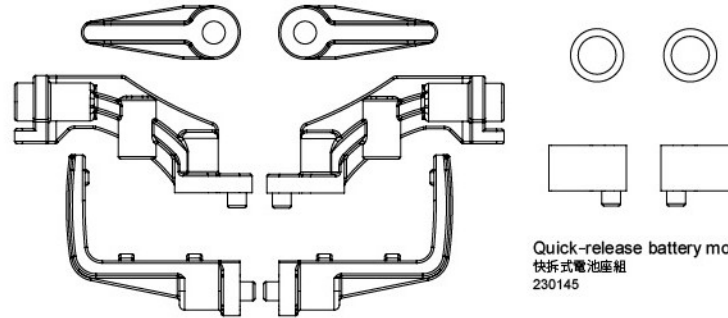
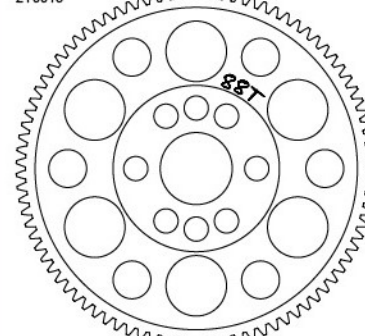
Wheel hubs w/disc shape (large) with sticker
碟型六角輪座組 (加大型) 附貼紙
230041



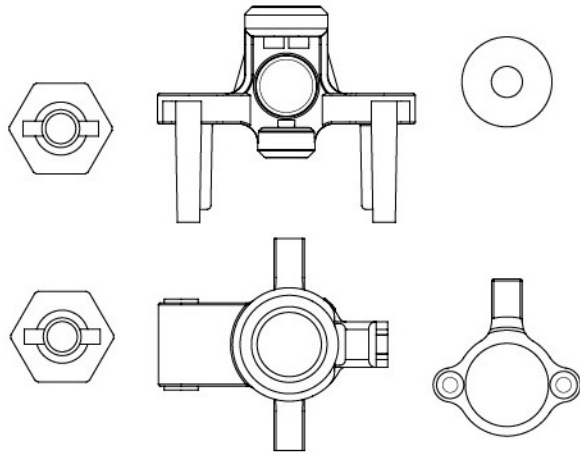
Spur gear 48P 80T
大直齒
230068



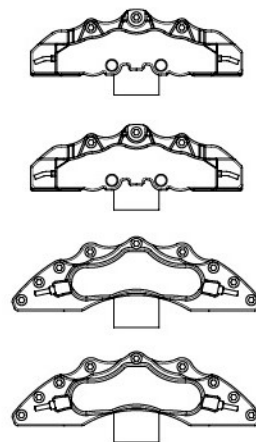
Spur gear 88T-48P ×1
大齒盤 88T-48P
210013



Quick-release battery mount
快拆式電池座組
230145



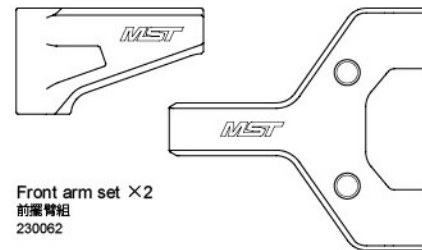
ATK V2 Front wheel hubs & THA rear hubs
加大剎車卡鉗 (紅)
230153



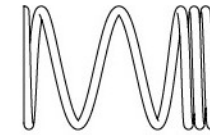
Enlarged brake calipers (red)
加大剎車卡鉗 (紅)
210510CR



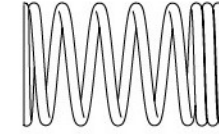
Carbon steering arm post joint plate
碳纖維轉向搖臂支柱固定板



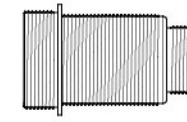
Front arm set ×2
前擺臂組
230062



DK-RWD Drift spring (26mm) ×2
(green)
DK-RWD飄移車前避震彈簧(26mm) (綠)
820157



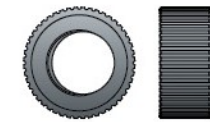
DK-RWD Drift spring (28mm) ×2
(purple-green)
DK-RWD飄移車後避震彈簧(28mm) (紫綠)
820157



Damper cylinder ×4
避震筒身
210151



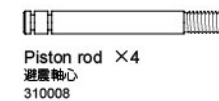
Spring retainer ×4
避震彈簧環
310106BK



Damper cap ×4
避震器上蓋
310003BK



Rod guide cap ×4
避震器下蓋
310005BK



Piston rod ×4
避震軸心
310008



E-clip 2.0 ×8
E扣 2.0
110013



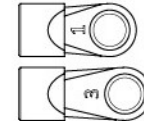
4.5×1 O-ring ×4
O環
820147



High-smooth damper
O-ring P3 (white) ×4
高順暢阻尼器O環 P3 (白)
130059



Rod guide ×4
避震器下蓋墊片
210235



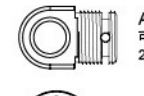
Damper adjuster ×4
避震器拉桿
230140



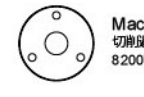
Adjustable damper cap ×4
可調下座
820147



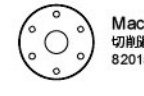
Low pressure damper seal ×4
低內壓避震氣室
130038



Adjustable shock end ×4
可調上球頭座
230140



Machined piston 3X1.0 ×2
切削避震活塞 3X1.0
820071



Machined piston 6X0.8 ×2
切削避震活塞 6X0.8
820151



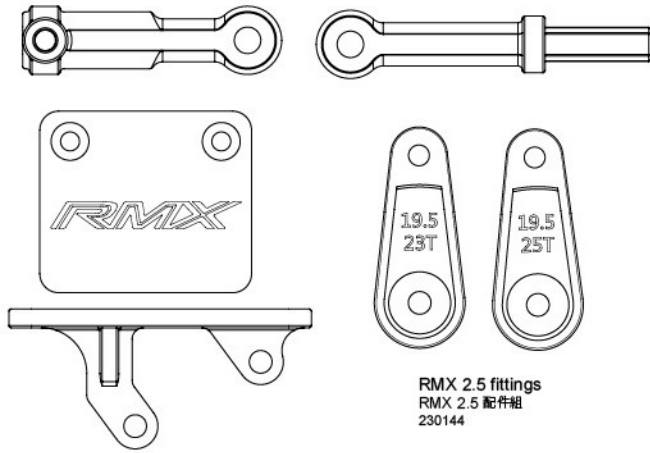
12×1 O-ring ×4
O環
130049



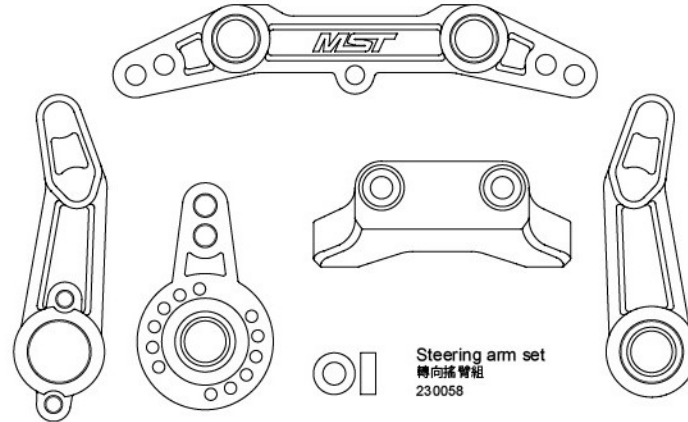
Damper retainer ×4
(lower type)
避震器彈簧座降低型
230140

PARTS

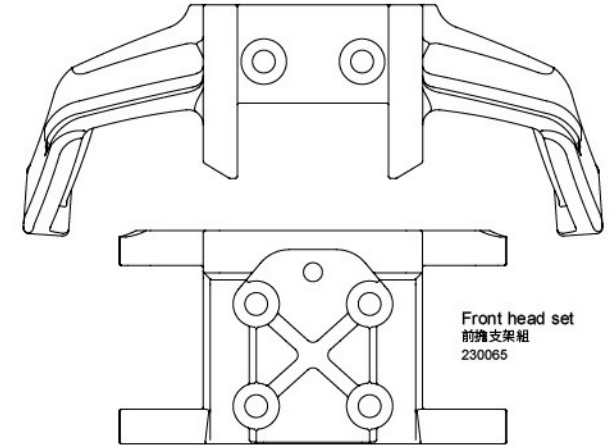
Color 顏色	Remark 標示
Red 紅 / BACK 黑	R / BK



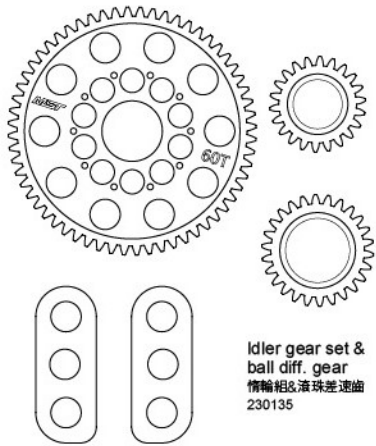
RMX 2.5 fittings
RMX 2.5 配件組
230144



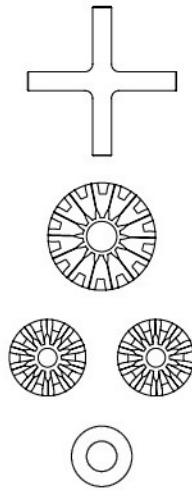
Steering arm set
轉向搖臂組
230058



Front head set
前推支架組
230065



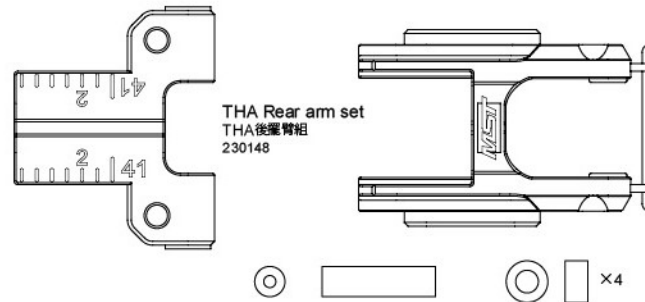
Idler gear set &
ball diff. gear
惰輪組及滾珠差速齒
230135



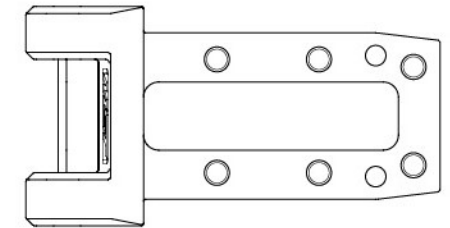
Diff. gear set × 2
傘差齒輪組
210053



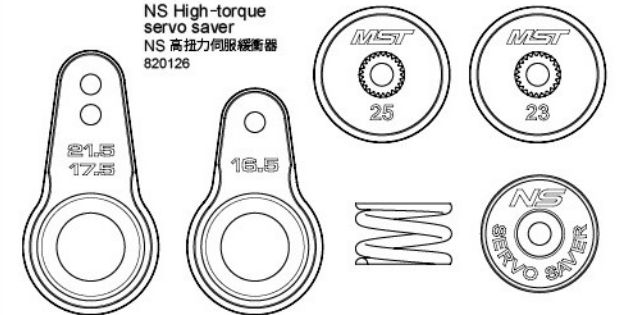
Shaft bush & spacer set
襯套墊片組
230070BK



THA Rear arm set
THA後擺臂組
230148



NS High-torque
servo saver
NS 高扭力伺服緩衝器
820126



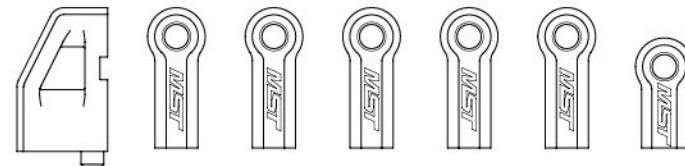
Alum. post M3×13 ×1
鋁合金支柱 M3×13
210561BK



Alum. suspension mount (-2.0) (black) ×2
鋁合金彈簧座 (-2.0) (黑)
820129BK



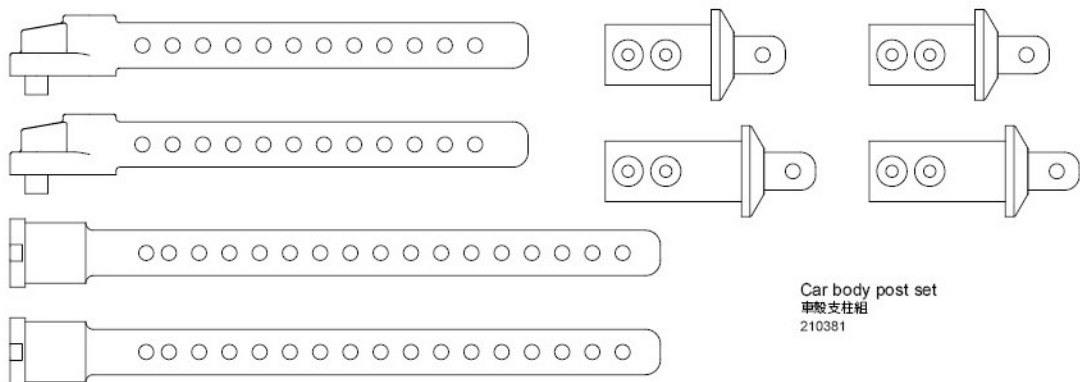
Alum. adj. suspension mount (+11.5~+13) (black) ×2
鋁合金可調式彈簧座 (+11.5~+13) (黑)
820154BK



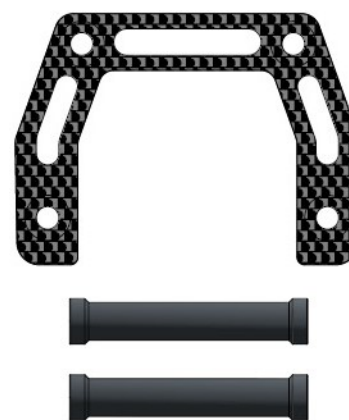
4.8 Rod ends set (M/S) ×2
4.8 拉桿頭組 (M/S)
230067

PARTS

Color 顏色	Remark 標示
Red 紅 / BACK 黑	R / BK



Car body post set
車殼支柱組
210381



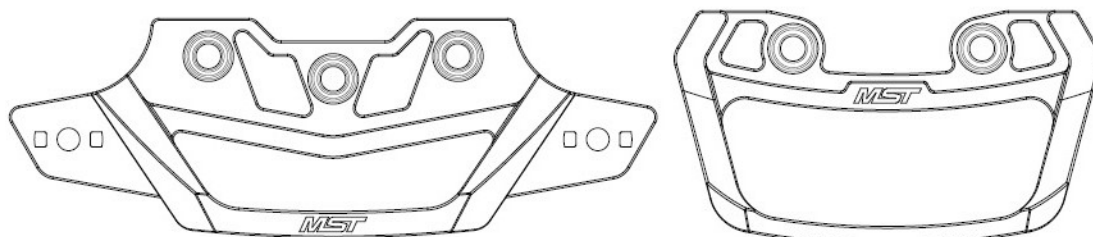
KMW carbon front upper brace set (black)
KMW 碳纖維前擋補強座組 (黑)
210681BK



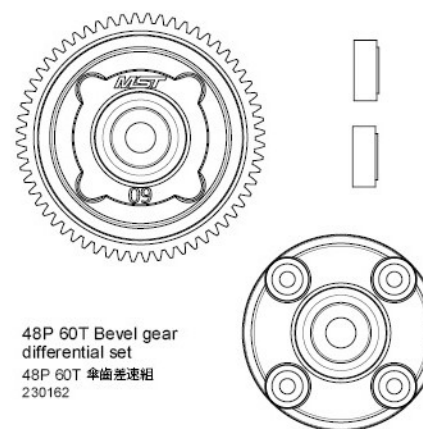
PVC Deck protective film ×2
PVC 底盤防刮貼
820152



RMX Alum. spur gear holder
RMX 鋁合金齒座
210429BK



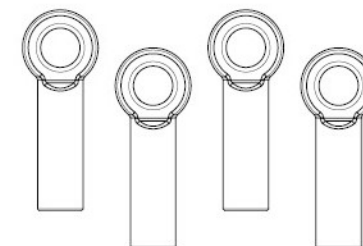
Lightweight front bumper support set
輕量化前防撞板 & 後提把組
230161



48P 60T Bevel gear
differential set
48P 60T 傘齒差速組
230162



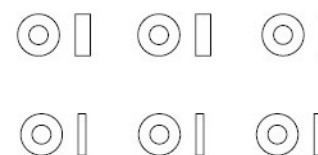
Lower suspension mount bush set (white)
投影襯套組 (白)
820065W



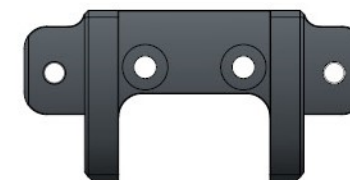
5.8 × 26 Reinforced adjuster set
強化拉桿頭組
210031



RMX 2.0 alum. spur gearbox set
RMX 2.0 鋁合金齒箱組
210642BK



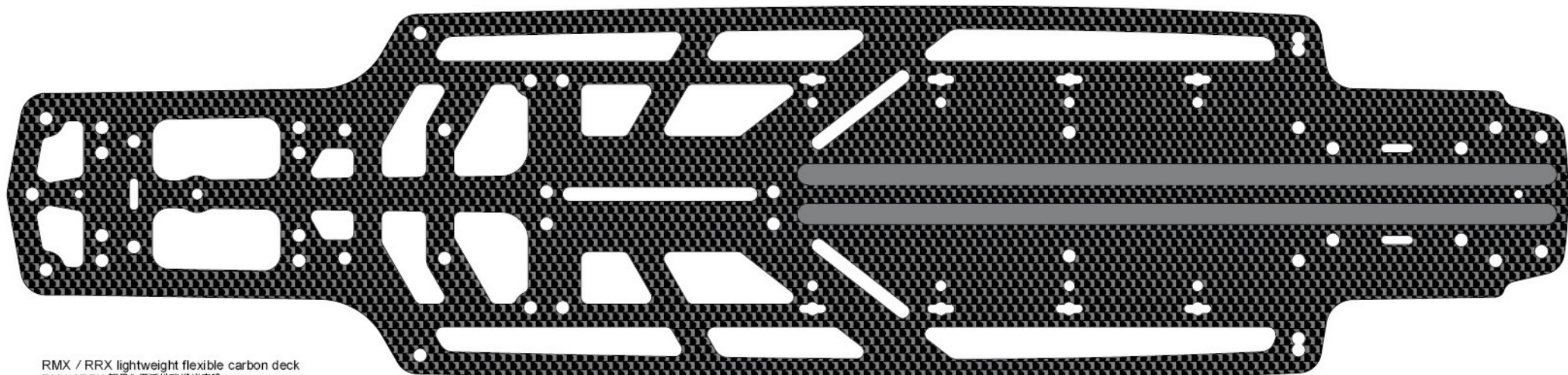
5.8 Ball end bush
球頭襯套
820054W



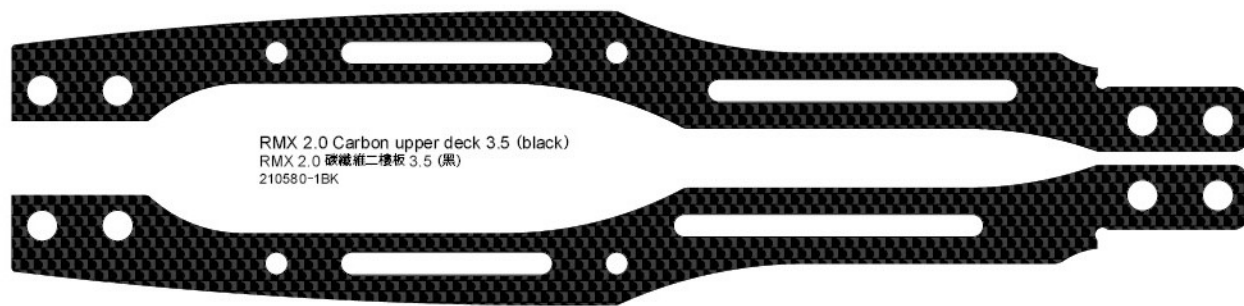
Alum. front upper deck connector (black)
鋁合金前二樓板連結架 (黑)
210699BK

PARTS

Color 顏色	Remark 標示
Red 紅 / BACK 黑	R / BK



RMX / RRX lightweight flexible carbon deck
RMX / RRX 轻量化靈活活性碳纖維底盤
210656



RMX 2.0 Carbon upper deck 3.5 (black)
RMX 2.0 碳纖維上樓板 3.5 (黑)
210580-1BK



RMX 2.0 alum. integrated upper deck connector
RMX 2.0 鋁合金一體式上樓板後連結架
210640BK



RMX Carbon front damper stay
RMX 碳纖維前避震架
210586

RMX 2.0 alum. spur gearbox motor heat sink mount
RMX 2.0 鋁合金齒箱散熱馬達座
210643BK



RMX 2.0 Carbon rear damper stay 3.5
RMX 2.0 碳纖維後避震架 3.5
210587



PARTS CODE

110001	Round head screw M3×6 (10)	120003	Ball bearing 5×8 (4)	210681BK	KMW carbon front upper brace set (black)	310119	4X21 Steel center shaft (2)
110002	Round head screw M3×8 (10)	120013	Ball bearing 4×8×3 (2)	210685	Bevel gear diff. joint set	710001	MST-PVC Sticker (4)
110004	Round head screw M2×4 (6)	120018	Ball bearing 4×10×4 (2)	210699BK	Alum. front upper deck connector (black)	810006BK	Alum. reinforced turnbuckle 3×16 (black) (2)
110005	Countersunk screw M3×8 (10)	120024	Bearing 3×6×2.5 (4)	230041	Wheel hubs w/disc shape (large)	810009BK	Alum. reinforced turnbuckle 3×28 (black) (2)
110011	Cap screw M3×6 (6)	130021	Sponge 6.5×2 (10)	230058	Steering arm set	810029	Steel reinforced turnbuckle 3×25 (2)
110013	E-clip 2.0 (10)	130025	O-ring P4 (red) (8)	230062	Front arm set	820001BK	Alum. wheel nut (black) (4)
110017	Shaft 2×9.8 (10)	130038	Low pressure damper seal (4)	230065	Front head set	820005	Steel CVD great angle universal shaft 44 (2)
110024	Countersunk screw M3×6 (10)	130049	O-ring 12×1 (4)	230067	4.8 Rod ends set (M/S)	820017	Spacer 4×6×0.3 (8)
110026	Round head screw M3×10 (10)	130059	High-smooth damper O-ring P3 (white) (10)	230068	Spur gear 48P-80T	820018	Spacer 5×7×0.1 (8)
110029	Round head screw M3×12 (6)	210013	Spur gear 88T-48P	230070BK	Shaft bush & spacer set	820020	Spacer 5×7×0.3 (8)
110039S	Cap screw M1.6×4 (10)	210053	Diff. gear set	230135	Idler gear set & ball diff. gear	820027BK	Alum. spacer 3×5.5×2.0 (black) (5)
110042	Countersunk screw M2×6 (6)	210151	Alum. damper cylinder (4)	230140	Adjustable damper ball connector & end adjuster (2)	820028BK	Alum. spacer 3×5.5×3.0 (black) (5)
110043	Countersunk screw M3×12 (10)	210161	Ball connector nut 4.8 (4)	230144	RMX 2.5 fittings	820030	Cross joint (2)
110045	Round head screw M2×8 (partial thread) (6)	210218BK	Alum. turnbuckle 3×68 (black)	230145	Quick-release battery mount	820054VV	Machined piston 3×1.0 (4)
110046	Shaft 2×9.8 (8)	210235	Piston spacer set	230148	THA Rear arm set	820063BK	Suspension mount spacer 0.5mm (4) (black)
110047	Spacer 3×6×0.5 (8)	210321	Suspension balls 2.5×5 (8)	230153	ATK V2 Front wheel hubs & THA rear hubs	820065VV	Lower suspension mount bush set (white)
110052	Countersunk screw M3×10 (10)	210344	Ball connector nut L 4.8 (4)	230160	Gear diff. gasket (4)	820071	5.8 Ball end bush (white)
110056	Set screw M3×12 (6)	210381	Car body post set	230161	Lightweight front bumper support set	820075	R-clip 5.0 (10)
110059	Shaft 1.5×7.8 (8)	210429BK	RMX Alum. spur gear holder (black)	230162	48P 60T Bevel gear differential set	820077BK	Alum. spacer 3×5.5×7 (black) (2)
110060	Set screw M3×2.6 (10)	210510CR	Enlarged brake calipers (red) (4)	310001	Ball connector 4.8×4.5 (5)	820095	AKM 2WD axle (2)
110061	Round head screw M3×14 (6)	210561BK	Alum. post M3×13 (black) (2)	310003BK	Cylinder cap (black) (2)	820122BK	Alum. hex. wheel hubs 6mm (black) (4)
110063	Round head screw M2×8 (6)	210580-1BK	RMX 2.0 Carbon upper deck 3.5 (black)	310005BK	Rod guide cap (black) (2)	820126	NS High-torque servo saver
110073	Countersunk screw M3×16 (6)	210586	RMX 2.0 Carbon front damper stay 3.5	310008	Piston rod (4)	820129BK	Alum. suspension mount (-2.0) (black)
110081	Countersunk screw M3×14 (6)	210587	RMX 2.0 Carbon rear damper stay 3.5	310039	Spacer 4×14×0.1 (8)	820147	Adjustable shock upper end (4)
110082	Round head screw M2×3 (6)	210593	Post 11.5 (2)	310040	Spacer 2.5×9×0.1 (8)	820151	Machined shock absorber piston 6×0.8 (4)
110086	Round head screw M3×16 (6)	210625	Ball connector L 5.8×6 (4)	310047	Arm shaft 2.0×22 (2)	820152	PVC Deck protective film
110088	Round head screw M3×20 (6)	210640BK	RMX 2.0 alum. integrated upper deck connector (black)	310048	Arm shaft 2.5×46 (4)	820154BK	Alum. adj. suspension mount (+11.5~+13) (black)
110091	Cap screw M3×40 (6)	210642BK	RMX 2.0 alum. spur gearbox set (black)	310065	Wheel axle (2)	820157	DK-RWD Drift spring set (F26/R28) (6&6)
110100	Cap screw M3×30 (6)	210643BK	RMX 2.0 alum. spur gearbox motor heat sink mount (black)	310103	Arm shaft 2×28 (2)		
110101	Countersunk screw M3×20 (6)	210656	RMX / RRX lightweight flexible carbon deck	310106BK	Spring retainer (black) (2)		
120001	Ball bearing 10×15 (4)			310118	Alum. main shaft 48P 20T		
120002	Ball bearing 5×10 (4)						

部品編號

110001	六角半圓頭螺絲 M3×6 (10)	120003	培林 5×8 (4)	210699BK	鋁合金前二樓板連結架(黑)	810009BK	鋁合金強化可調拉桿 3×28 (黑) (2)
110002	六角半圓頭螺絲 M3×8 (10)	120013	培林 4×8×3 (2)	230041	碟型六角輪座組 (加大型)	810029	鋼製強化可調拉桿 3×25 (2)
110004	六角半圓頭螺絲 M2×4 (6)	120018	培林 4×10×4 (2)	230058	轉向搖臂組	820001BK	鋁合金輪框螺帽 (黑) (4)
110005	六角沉頭螺絲 M3×8 (10)	120024	軸承 3×6×2.5 (4)	230062	前擺臂組	820005	鋼製大角度CVD傳動軸 44 (2)
110011	六角有頭螺絲 M3×6 (半牙) (6)	130021	泡棉 6.5×2 (10)	230065	前擋支架組	820017	墊片 4×6×0.3 (8)
110013	E扣 2.0 (10)	130025	O環 P4 (紅) (8)	230067	4.8 拉桿頭組 (M/S)	820018	墊片 5×7×0.1 (8)
110017	插銷 2×9.8 (10)	130038	低內壓避震氣室 (4)	230068	大齒盤 48P-80T	820020	墊片 5×7×0.3 (8)
110024	六角沉頭螺絲 M3×6 (10)	130049	O環 12×1 (4)	230070BK	襯套墊片組	820027BK	鋁墊片 3×5.5×2.0 (黑) (5)
110026	六角半圓頭螺絲 M3×10 (10)	130059	高順暢阻尼器O環 P3 (白)(10)	230135	惰輪組&滾珠差速齒	820028BK	鋁墊片3×5.5×3.0 (黑) (5)
110029	六角半圓頭螺絲 M3×12 (6)	210013	大齒盤 88T-48P	230140	避震器可調式上球頭&下拉桿頭組 (2)	820030	連接軸 (2)
110039S	六角有頭螺絲 M1.6×4 (10)	210053	傘差齒輪組	230144	RMX 2.5配件組	820054VV	5.8 球頭襯套 (白)
110042	六角沉頭螺絲 M2×6 (6)	210151	鋁合金避震筒身 (4)	230145	快拆式電池座組	820063BK	擺臂座墊片0.5mm (4) (黑)
110043	六角沉頭螺絲 M3×12 (10)	210161	球頭螺帽 4.8 (4)	230148	THA後擺臂組	820065VV	投影襯套組 (白)
110045	六角半圓頭螺絲 M2×8 (半牙) (6)	210218BK	鋁製可調拉桿 3×68 (黑)	230153	ATK V2 前輪座組 & THA 後輪座	820071	切削避震活塞 3×1.0 (4)
110046	插銷 2×9.8 (剖溝) (8)	210235	避震器活塞墊片組	230160	傘差止漏墊片組 (4)	820075	R銷 5.0 (10)
110047	墊片 3×6×0.5 (8)	210321	插銷球頭 2.5×5 (8)	230161	輕量化前防撞板 & 後提把組	820077BK	鋁墊片 3×5.5×7 (黑) (2)
110052	六角沉頭螺絲 M3×10 (10)	210344	球頭螺帽 L 4.8 (4)	230162	48P 60T 傘齒差速組	820095	AKM 二驅輪軸 (2)
110056	六角止付螺絲 M3×12 (6)	210381	車殼支柱組	310001	內六角球頭 4.8×4.5 (5)	820122BK	鋁合金六角輪座 6mm (黑) (4)
110059	插銷 1.5×7.8 (8)	210429BK	RMX 鋁合金齒盤座 (黑)	310003BK	避震器上蓋 (黑) (2)	820126	NS 高扭力伺服緩衝器
110060	六角止付螺絲 M3×2.6 (10)	210510CR	加大煞車卡鉗 (紅) (4)	310005BK	避震器下蓋 (黑) (2)	820129BK	鋁合金擺臂座 (-2.0) (黑)
110061	六角半圓頭螺絲 M3×14 (6)	210561BK	鋁合金支柱 M3×13 (黑) (2)	310008	避震軸心 (4)	820147	避震器可調長度上座組 (4)
110063	六角半圓頭螺絲 M2×8 (6)	210580-1BK	RMX 2.0 碳纖維二樓板 3.5 (黑)	310039	墊片 4×14×0.1 (8)	820151	切削避震活塞 6×0.8 (4)
110073	六角沉頭螺絲 M3×16 (6)	210586	RMX 2.0 碳纖維前避震架 3.5	310040	墊片 2.5×9×0.1 (8)	820152	PVC 底盤防刮貼
110081	六角沉頭螺絲 M3×14 (6)	210587	RMX 2.0 碳纖維後避震架 3.5	310047	擺臂插銷 2.0×22 (2)	820154BK	鋁合金可調式擺臂座 (+11.5~+13) (黑)
110082	六角半圓頭螺絲 M2×3 (6)	210593	支柱 11.5 (2)	310048	擺臂插銷 2.5×46 (4)	820157	DK-RWD飄移車前後避震彈簧組 (F26/R28) (6&6)
110086	六角半圓頭螺絲 M3×16 (6)	210625	球頭螺絲 L 5.8×6 (4)	310065	萬向接杯 (2)		
110088	六角半圓頭螺絲 M3×20 (6)	210640BK	RMX 2.0 鋁合金一體式二樓板後連結架 (黑)	310103	擺臂插銷 2×28 (2)		
110091	六角有頭螺絲 M3×40 (半牙) (6)	210642BK	RMX 2.0 鋁合金直齒式齒輪箱組 (黑)	310106BK	避震調整環 (黑) (2)		
110100	六角有頭螺絲 M3×30 (半牙) (6)	210643BK	RMX 2.0 鋁合金直齒箱散熱馬達座 (黑)	310118	鋁合金主齒軸 48P 20T		
110101	六角沉頭螺絲 M3×20 (6)	210656	RMX / RRX 輕量化靈活性碳纖維底盤	310119	4×21 鋼製心軸 (2)		
120001	培林 10×15 (4)	210681BK	KMW 碳纖維前擋前補強座組 (黑)	710001	MST-PVC貼紙 (4)		
120002	培林 5×10 (4)	210685	傘差接杯組	810006BK	鋁合金強化可調拉桿 3×16 (黑) (2)		