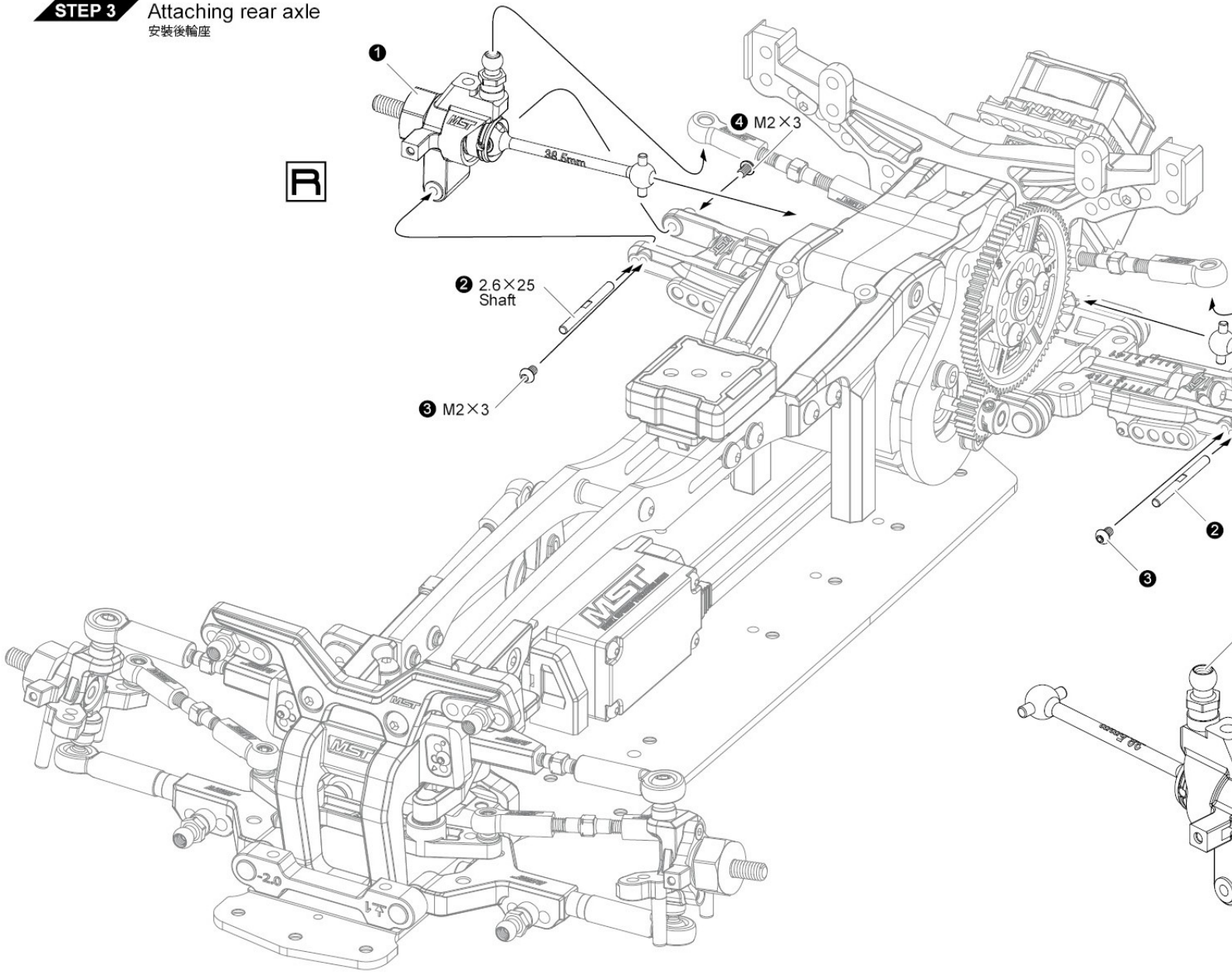
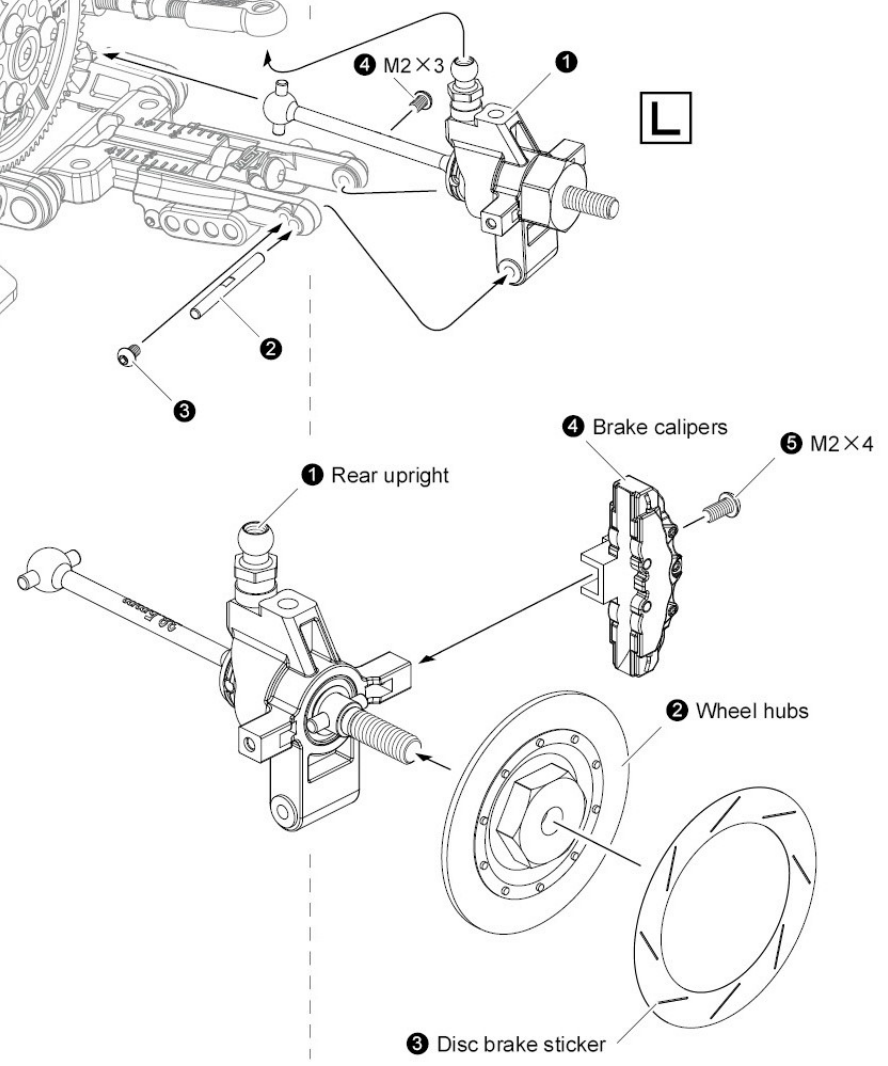
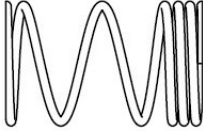
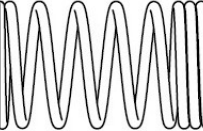
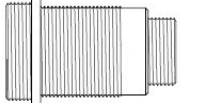
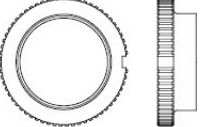

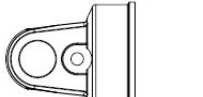
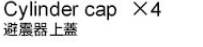












STEP 3 Attaching rear axle
安裝後輪座

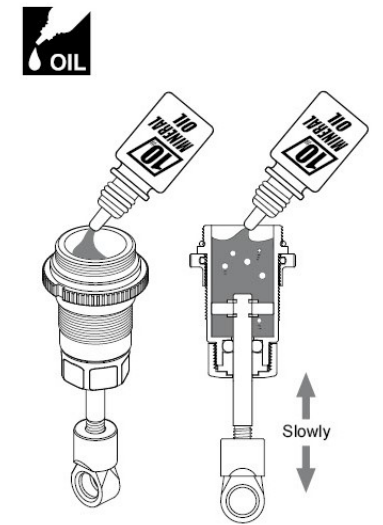
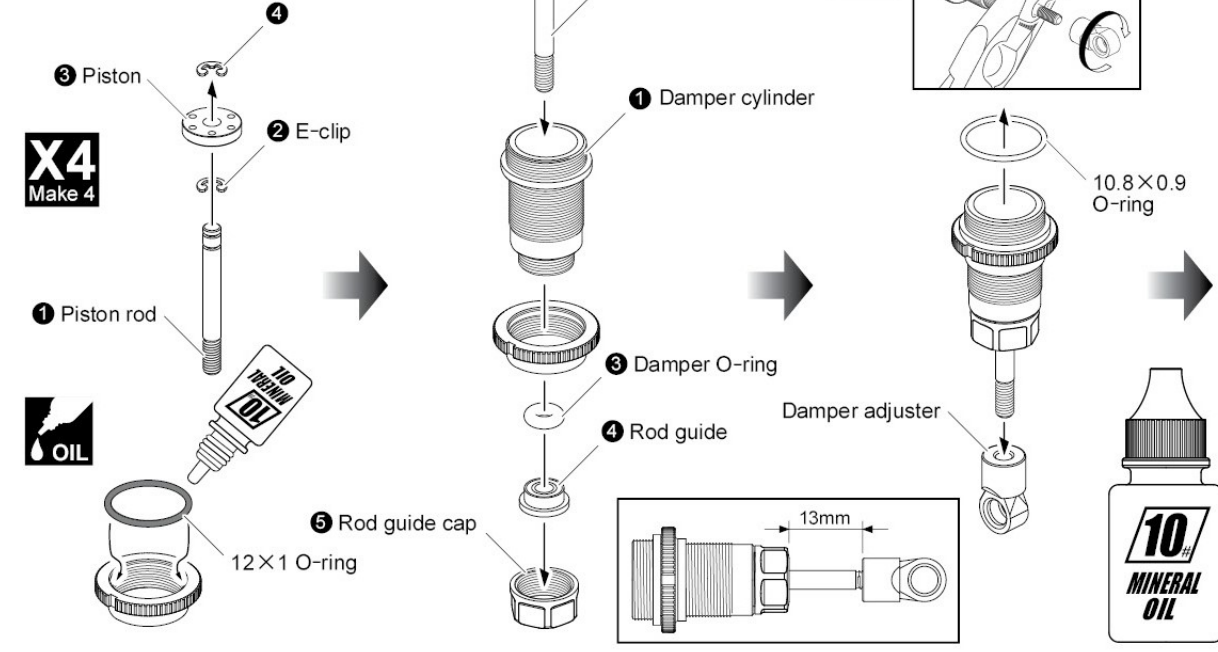


STEP 2 Wheel hubs assembly
(Brake disc shaped)
煞車碟盤型輪座組裝

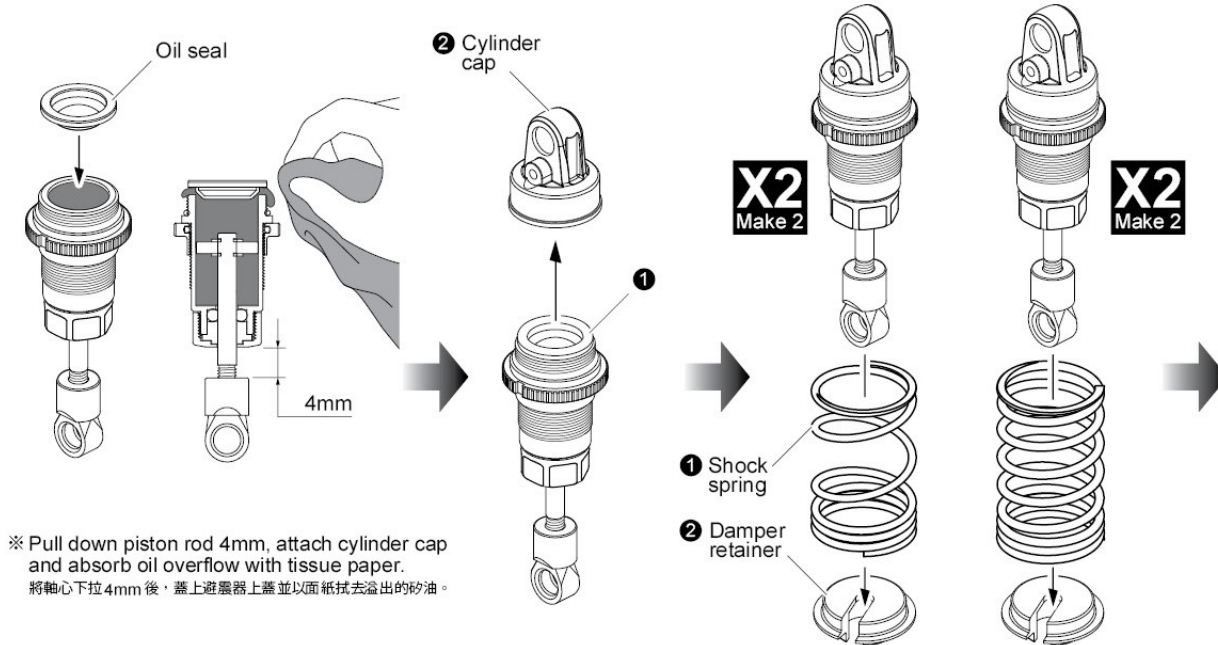


-  DK-RWD Drift spring (26mm) (green) ×2
DK-RWD 飄移車前避震彈簧 (26mm) (綠)
-  DK-RWD Drift spring (28mm) (purple-green) ×2
DK-RWD 飄移車前避震彈簧 (28mm) (紫綠)
-  Damper cylinder ×4
避震筒身
-  Spring retainer (red) ×4
避震器調整環 (紅)
-  Piston rod ×4
避震軸心
-  Piston ×4
避震活塞
-  Cylinder cap ×4
避震器上蓋
-  Damper adjuster ×4
避震器拉桿
-  Rod guide cap ×4
避震器下蓋
-  10.8×0.9 O-ring ×4
O環
-  Damper retainer ×4
避震器彈簧座
-  12×1 O-ring ×4
O環
-  Oil seal ×4
避震器氣室
-  Damper O-ring P3 ×4
避震器O環
-  E-clip ×8
E形扣
-  Rod guide ×4
避震器下蓋墊片
-  M3×4 screw ×4
沉頭螺絲

STEP 1 Damper assembly
避震器組裝



Pull down piston and pour oil into cylinder.
Remove air bubbles by slowly moving piston up and down.
拉下活塞並填入避震油，緩慢上下移動活塞將氣泡移除。



※ Pull down piston rod 4mm, attach cylinder cap and absorb oil overflow with tissue paper.
將軸心下拉4mm後，蓋上避震器上蓋並以面紙拭去溢出的砂油。

※ The height of the shock absorber adjusting ring is for reference only! Please make F10mm / R5mm as the actual vehicle height after installing the electric components completely.
避震器調整環預壓僅供參考！請安裝完整電裝後以實際車高前10mm後5mm為準。

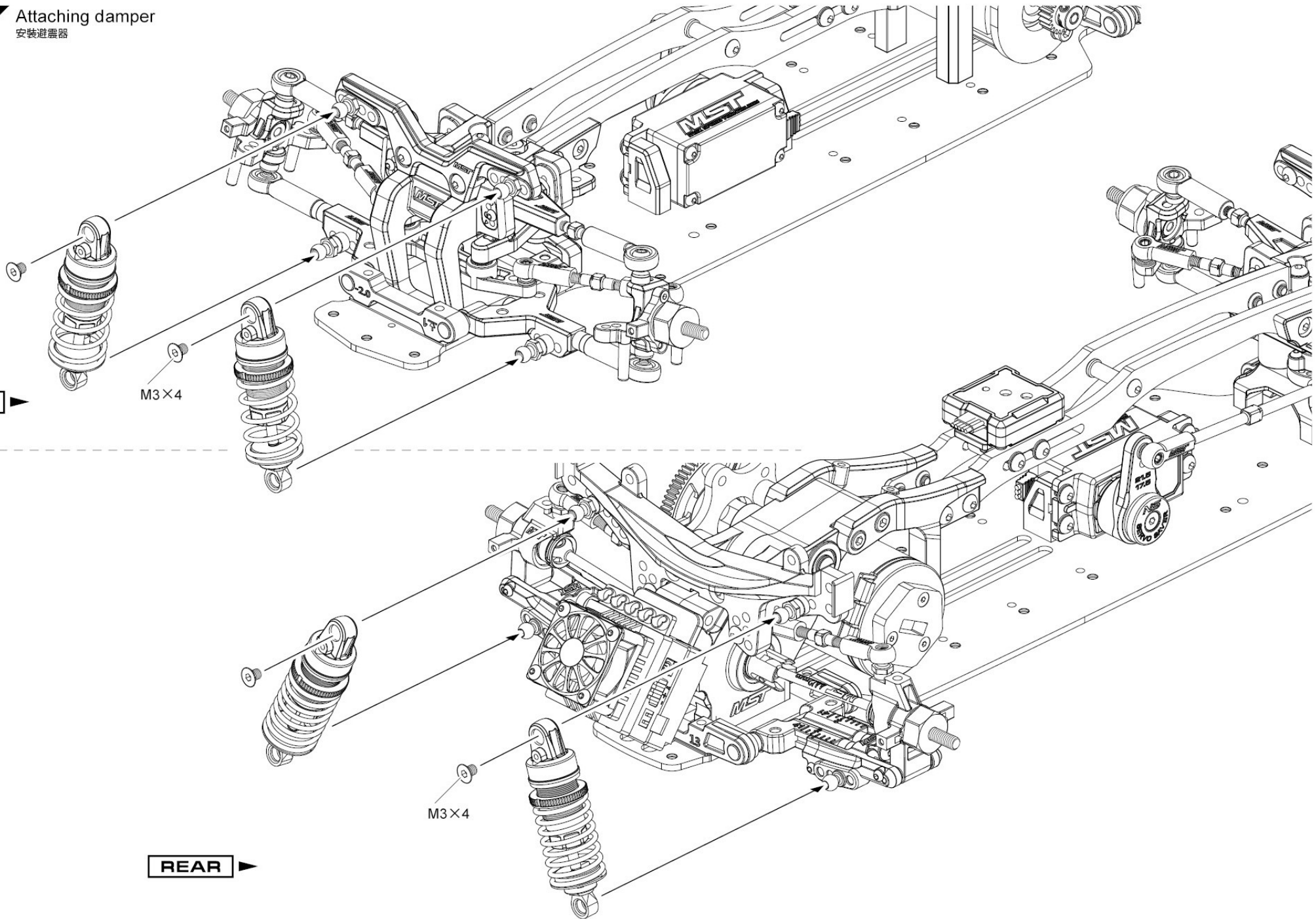
STEP 2 Attaching damper
安裝避震器

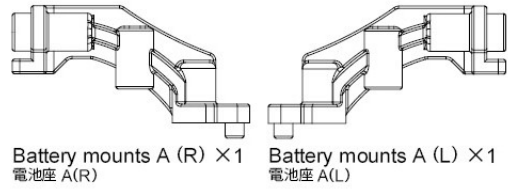
FRONT

M3×4

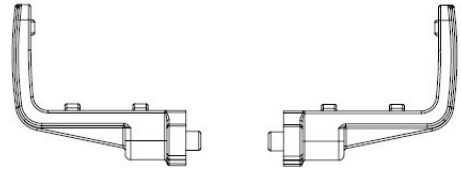
M3×4

REAR





Battery mounts A (R) ×1 電池座 A(R)
Battery mounts A (L) ×1 電池座 A(L)



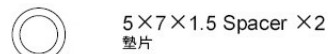
Battery mounts B (L) ×1 電池座 B (L)
Battery mounts B (R) ×1 電池座 B (R)



Heightened spacer R ×1 增高墊片 R



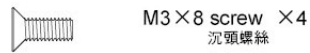
Heightened spacer L ×1 增高墊片 L



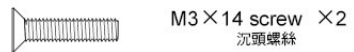
5×7×1.5 Spacer ×2 墊片



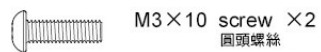
Battery baffle ×2 電池擋片



M3×8 screw ×4 沉頭螺絲



M3×14 screw ×2 沉頭螺絲

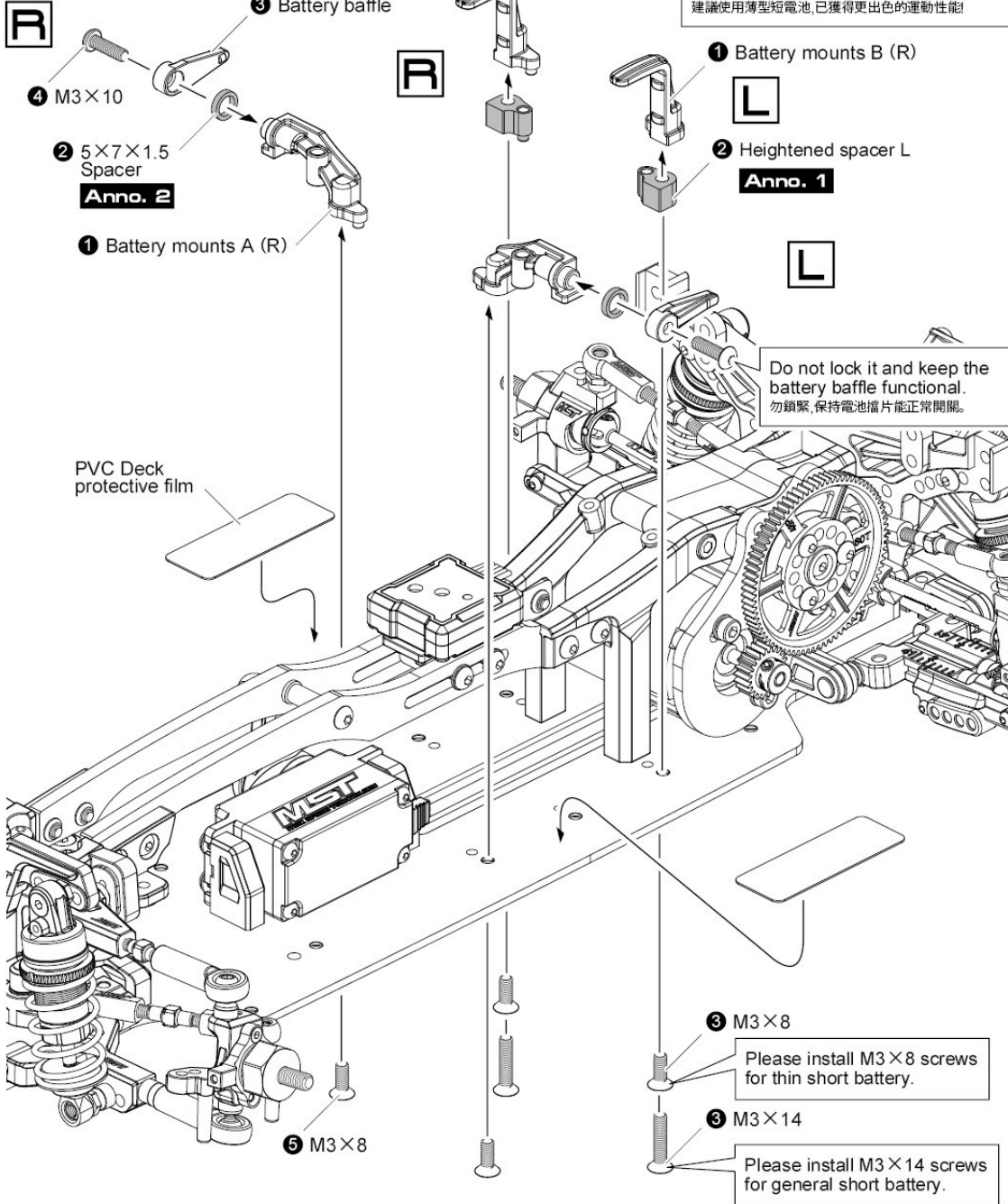


M3×10 screw ×2 圓頭螺絲



PVC Deck protective film ×2 PVC 底盤防刮貼紙

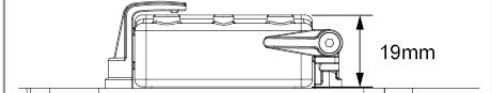
STEP 1 Attaching battery mounts
安裝電池固定座



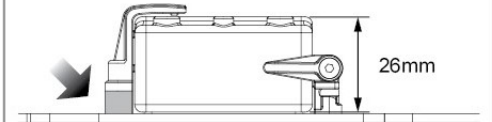
BATTERY HOLDER HEIGHT / LENGTH ADJUSTMENT INSTRUCTIONS

Anno. 1
註1

Remove heightened spacer for a thin short battery
薄型短電池請移除增高墊片

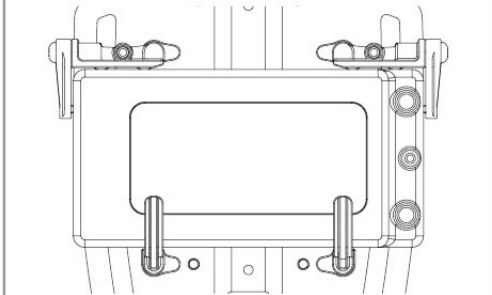


Add heightened spacer for a general short battery
一般型短電池請加裝增高墊片

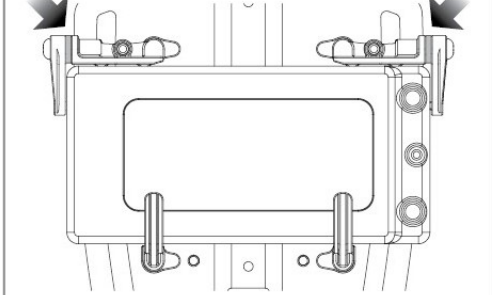


Anno. 2
註2

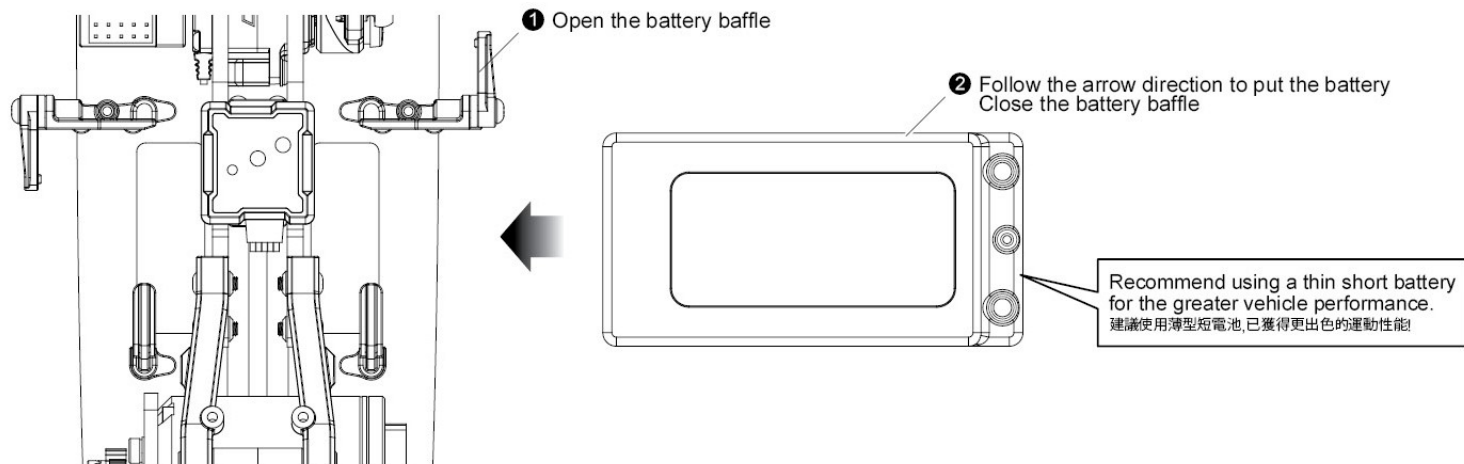
Remove 5×7×1.5 spacer for a short battery within 93.5mm length
短型電池長度93.5mm以下請移除5×7×1.5墊片



Add 5×7×1.5 spacer for a short battery above 93.5mm length
短型電池長度93.5mm以上請加裝5×7×1.5墊片



STEP 1 Attaching Battery
安裝電池



PARTS WHEELS
輪胎



Flange nut M4 × 4
凸緣螺帽M4

Bag 7



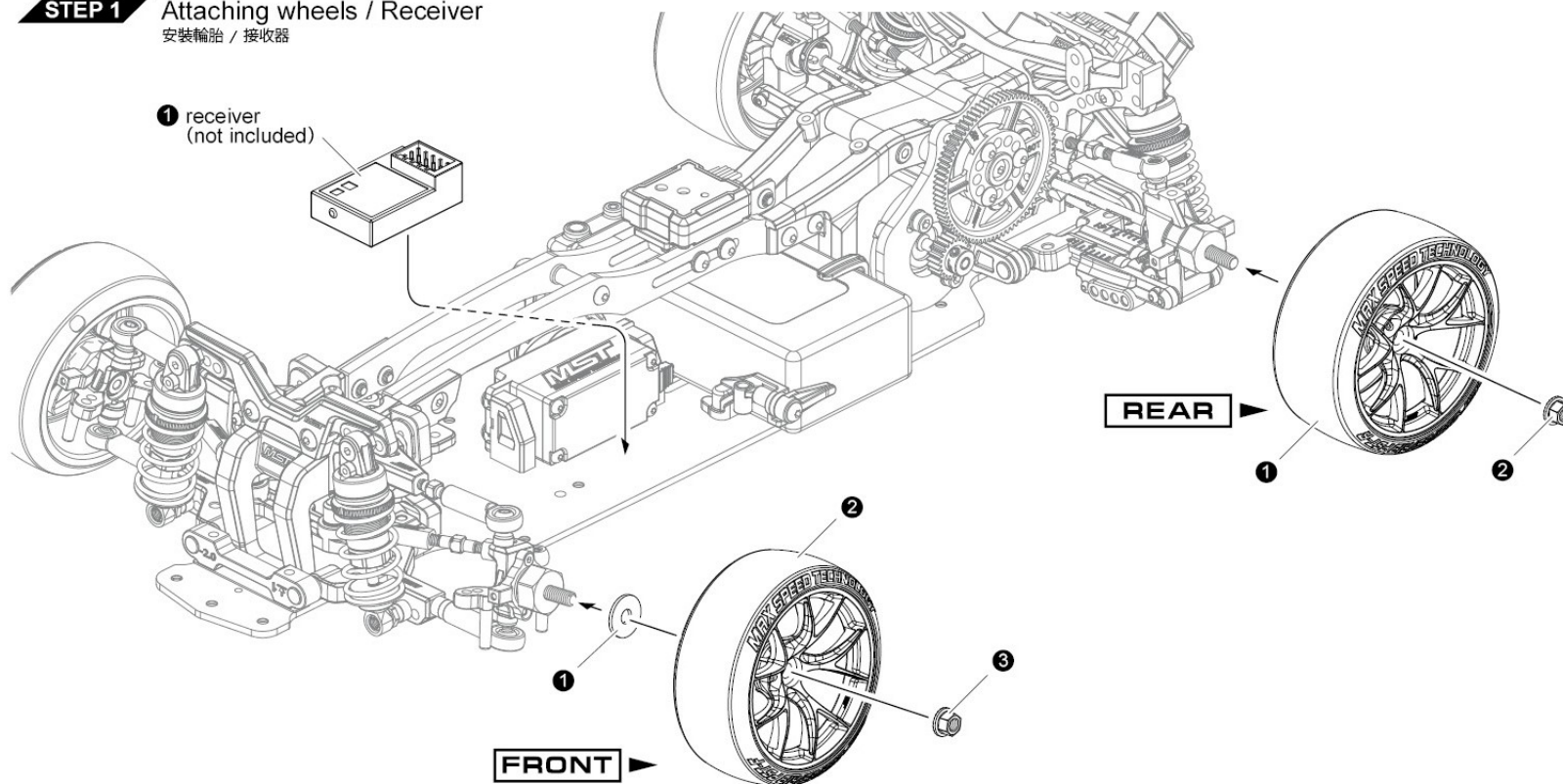
Wheel hub spacer 1.0 × 2
輪座墊片 1.0

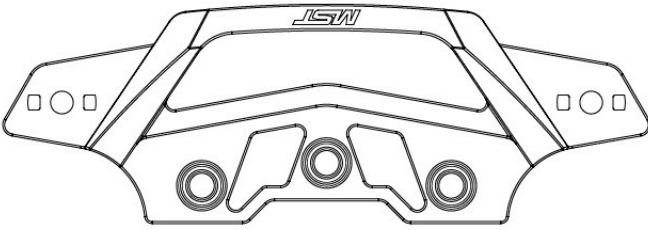
Bag 7



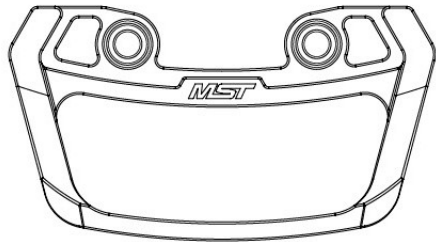
※ NOT including.
Please refer to MST website for the wheel & tire types.
胎框組須另購,詳情請見官網。
[www.rc-mst.com]

STEP 1 Attaching wheels / Receiver
安裝輪胎 / 接收器

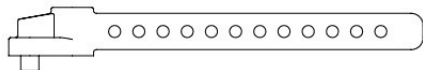




Bumper support ×1
防撞板上蓋



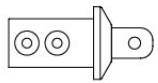
Rear bumper ×1
防撞板下座



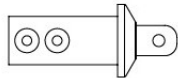
Rear body mount ×2
後車殼支柱



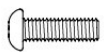
Front body mount ×2
前車殼支柱



Body mount cover M ×2
支柱套 M



Body mount cover L ×2
支柱套 L



M3×10 screw ×2
圓頭螺絲



M3×8 screw ×5
沉頭螺絲

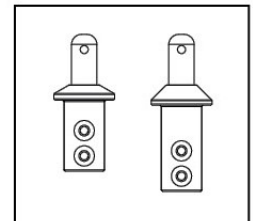
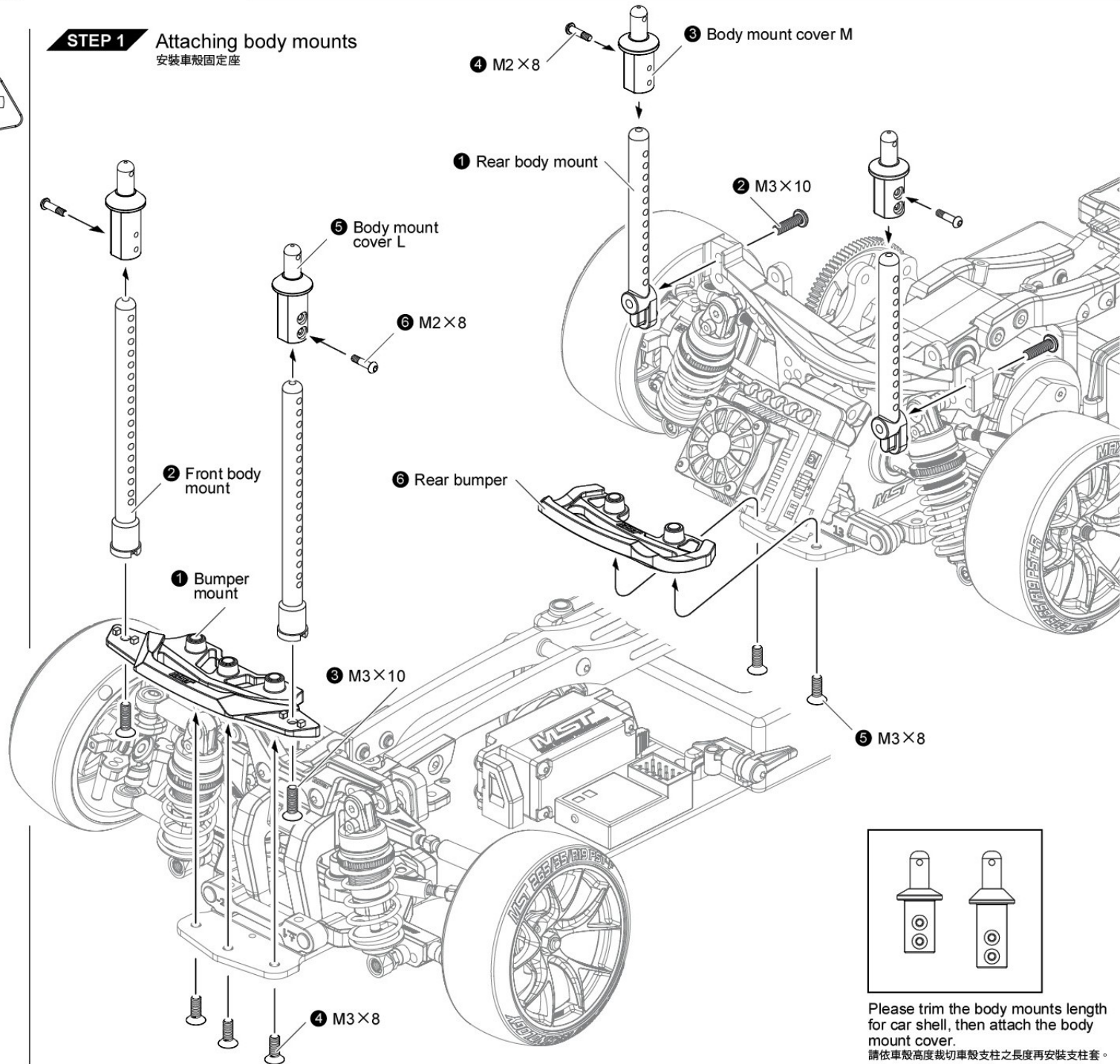


M3×10 screw ×2
沉頭螺絲



M2×8 screw ×4
圓頭螺絲

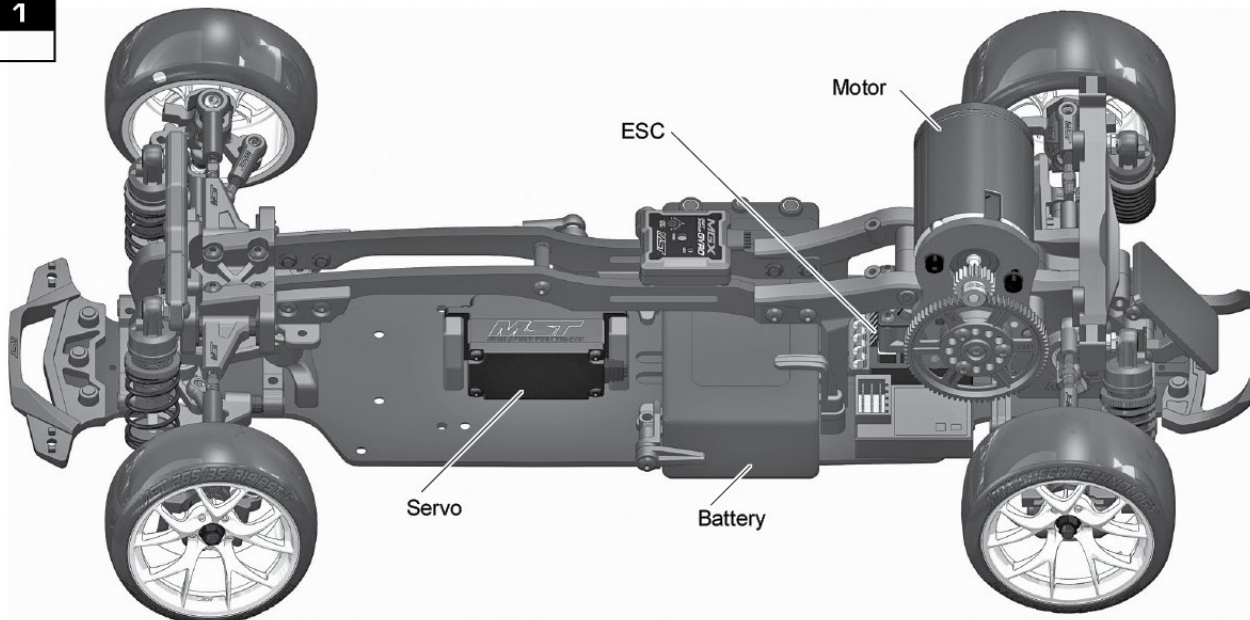
STEP 1 Attaching body mounts
安裝車殼固定座



Please trim the body mounts length for car shell, then attach the body mount cover.
請依車殼高度裁切車殼支柱之長度再安裝支柱套。

RMX Motor HCG Mode 1

RMX 高重心模式 1



GEAR RATIO
(For 80T Spur Gear)

Pinion gear teeth	60T/20T <3.00>
20T	12
21T	11.43
22T	10.91
23T	10.43
24T	10
25T	9.6
26T	9.23
27T	8.89
28T	8.57
29T	8.28
30T	8
31T	7.74

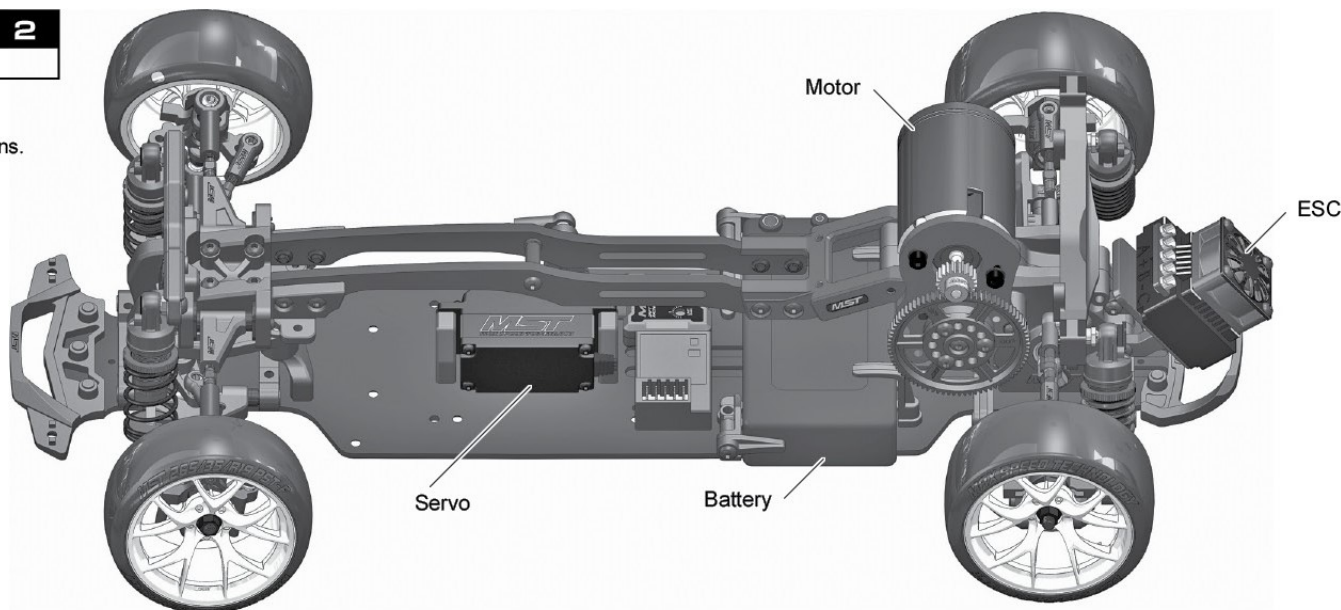
* FORMULA 計算公式 $\left(\frac{\text{Spur gear teeth 80T 大直齒}}{\text{Pinion gear teeth 馬達齒}} \times \frac{\text{Differential gear 60T 差速齒}}{\text{Main shaft gear 20T 主軸齒}} \right) = \text{Gear ratio 終傳比}$

* Adjust for proper space.
請調整適當齒隙。

RMX Motor HCG Mode 2

RMX 高重心模式 2

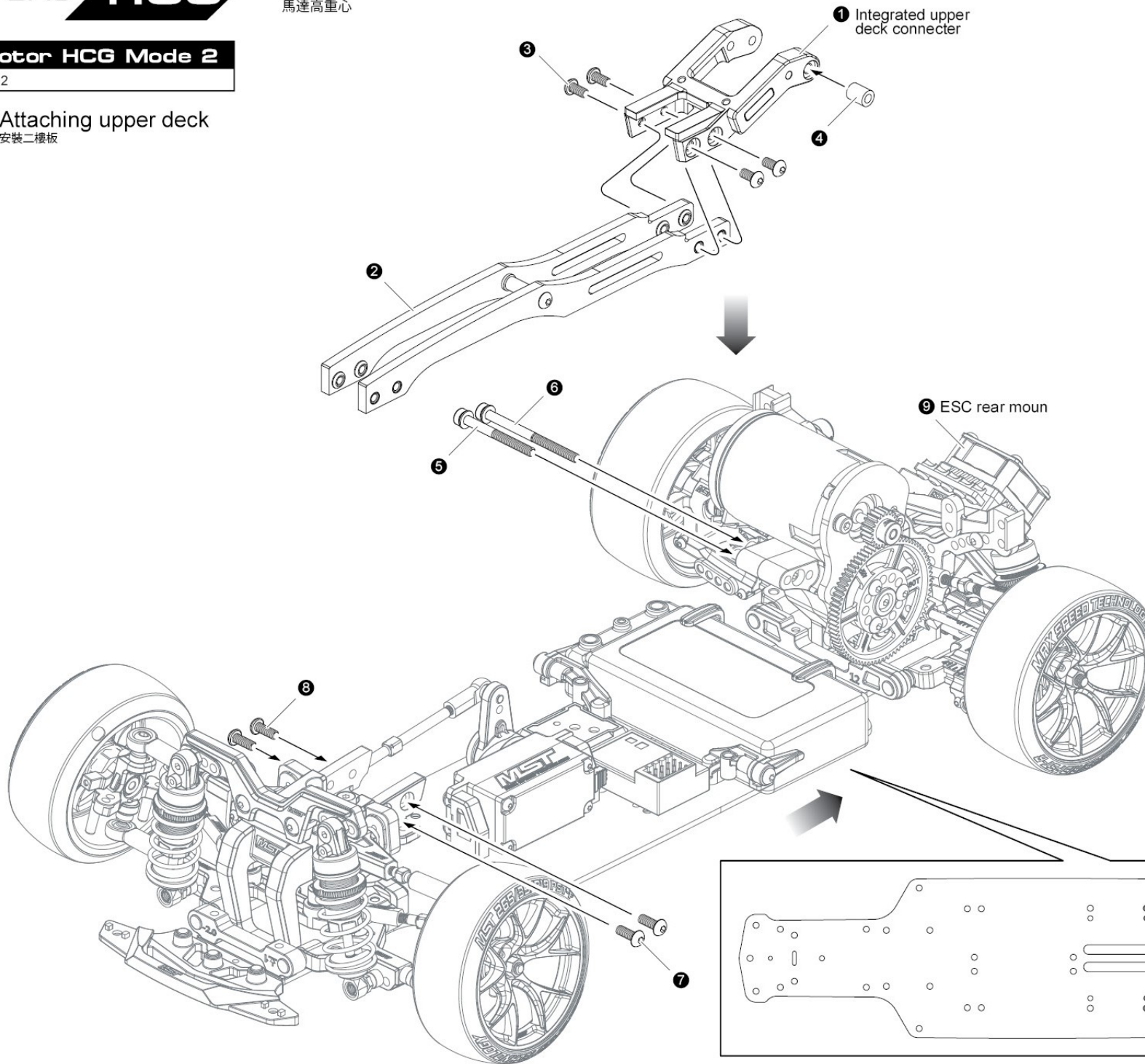
* Please refer to P26 for assembly instructions.
組裝方式請詳閱P26。



RMX Motor HCG Mode 2

RMX 高重心模式 2

STEP 1 Attaching upper deck
安裝二樓板



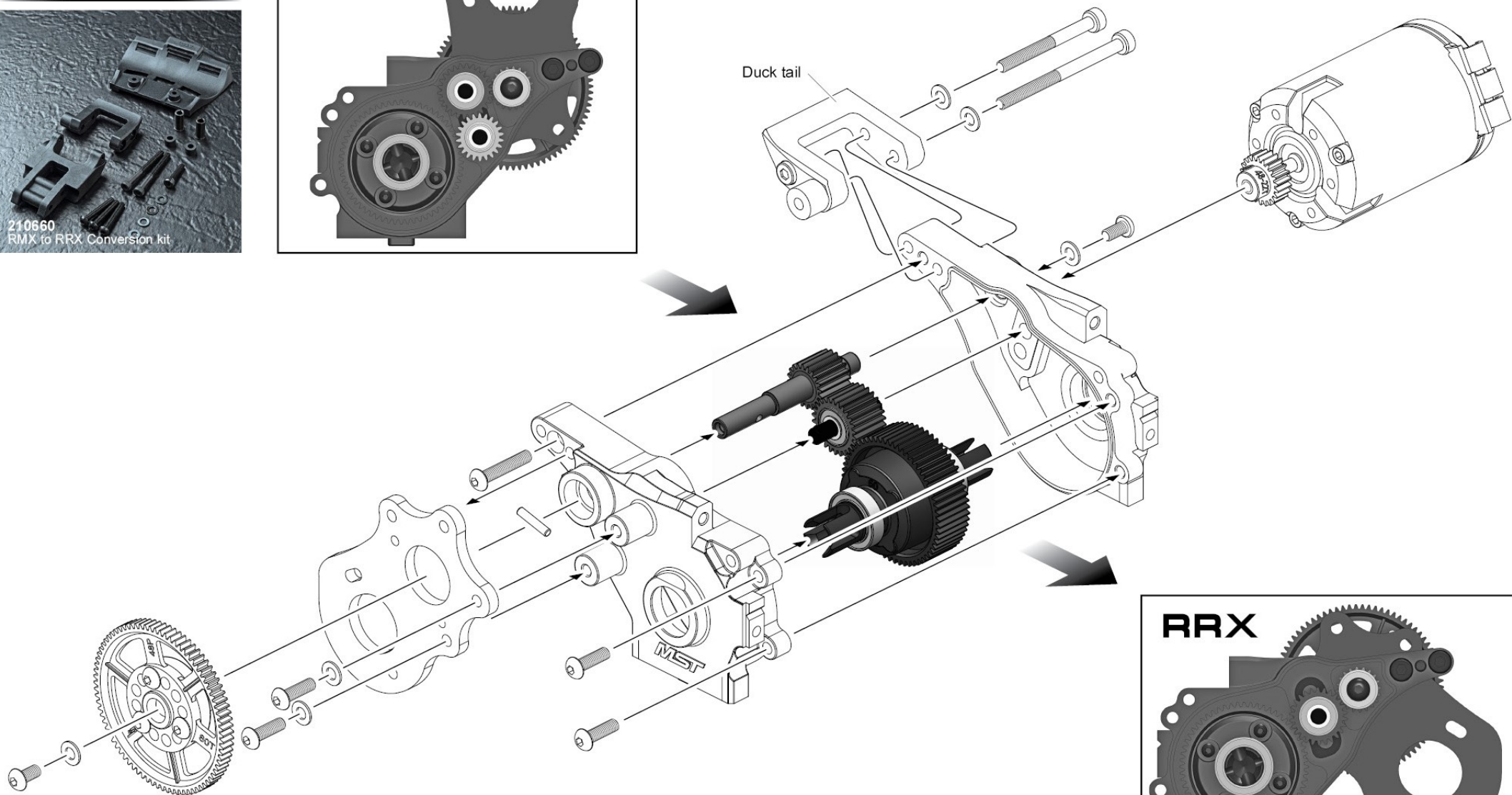
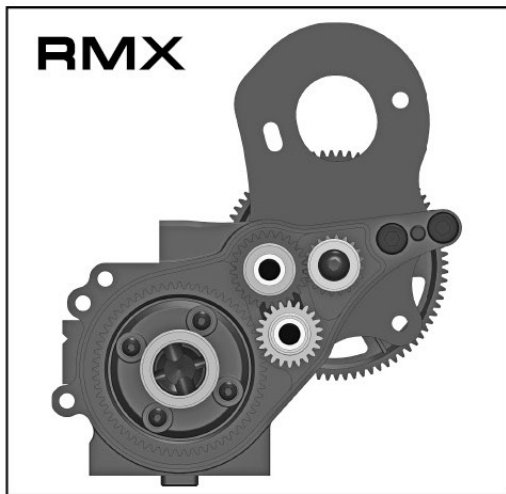
PLEASE PURCHASE
請另購



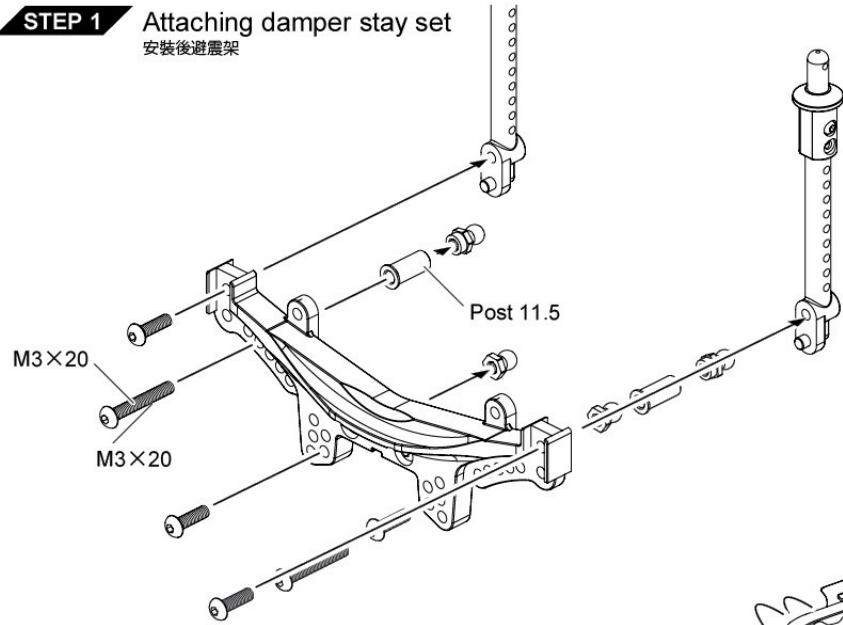
210640R
RMX 2.0 alum. integrated upper deck
connector (red)

STEP 1 Attaching RRX drive system
安裝 RRX 驅動系統

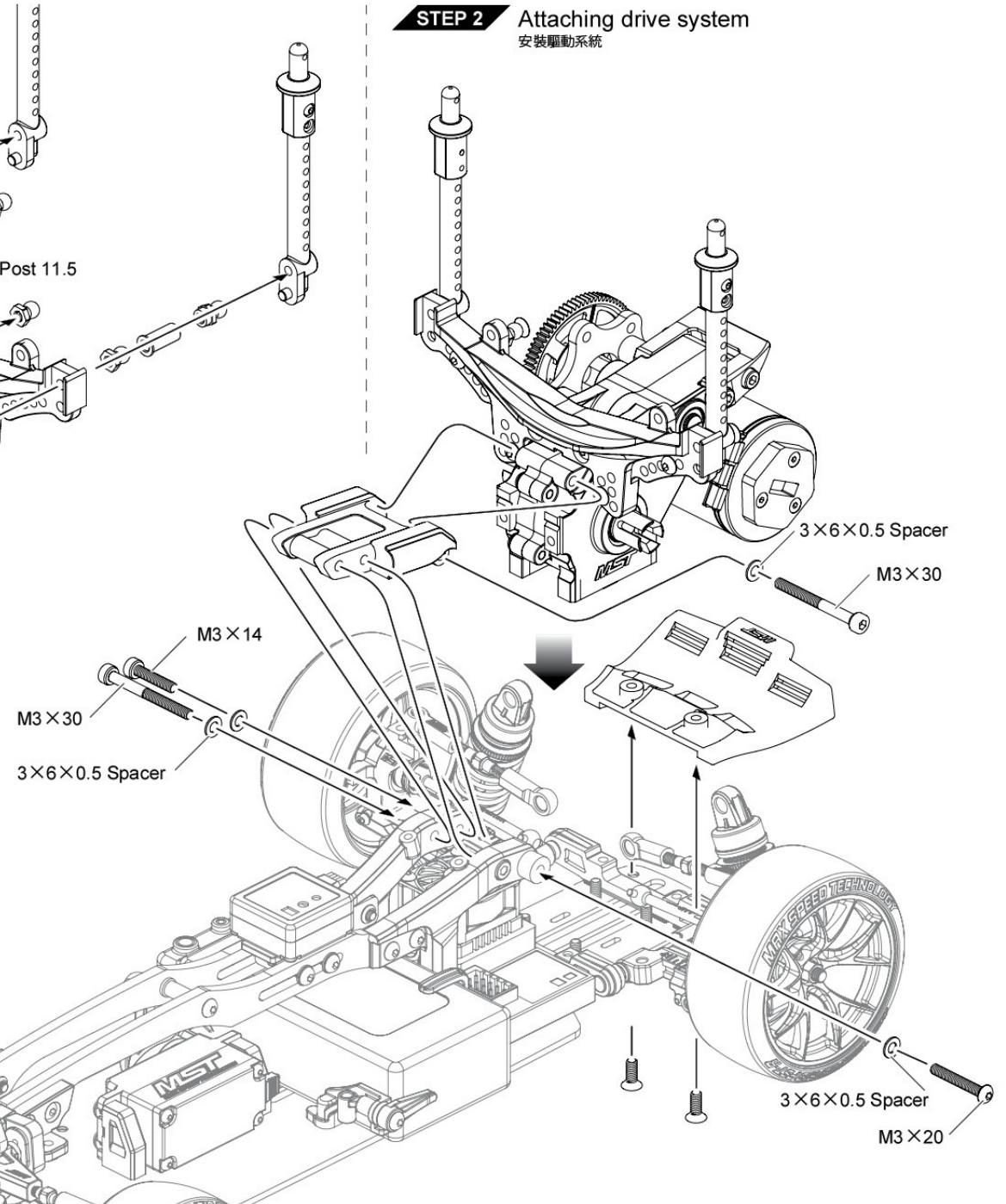
PLEASE PURCHASE
請另購



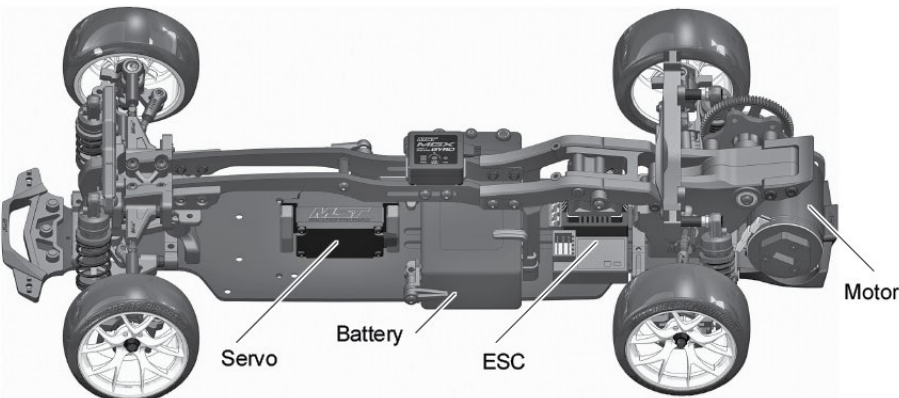
STEP 1 Attaching damper stay set
安裝後避震架



STEP 2 Attaching drive system
安裝驅動系統



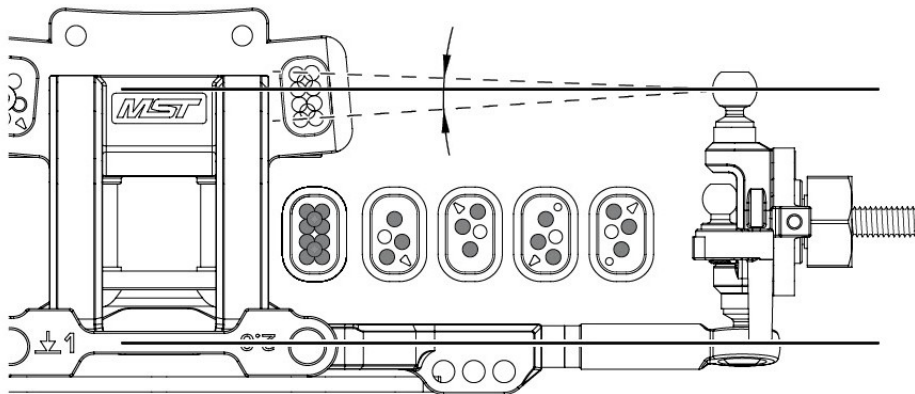
RRX Motor LCG Mode
RRX 低重心模式



STEERING SYSTEM FUNCTION ADJUSTING INSTRUCTIONS

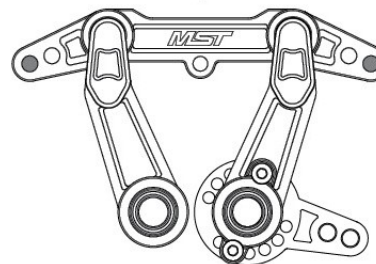
轉向系統功能調整說明

STEP 1 Front upper arm setting 前上擺臂設定

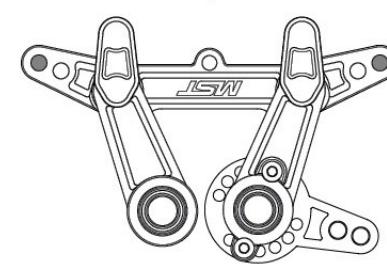


STEP 2 Steering setting 轉向設定

NORMAL
正裝



REVERSE
反裝



Shorten the steering arm stroke (Shorter EPA stroke)

縮短轉向搖臂行程 (EPA行程較短)

The parallel time of the two rounds at the beginning of the steering movement is longer and the end of the increase in the Ackerman angle is shorter.

轉向運動初期兩輪平行時間較長，進入末期加大阿克曼角時間較短。

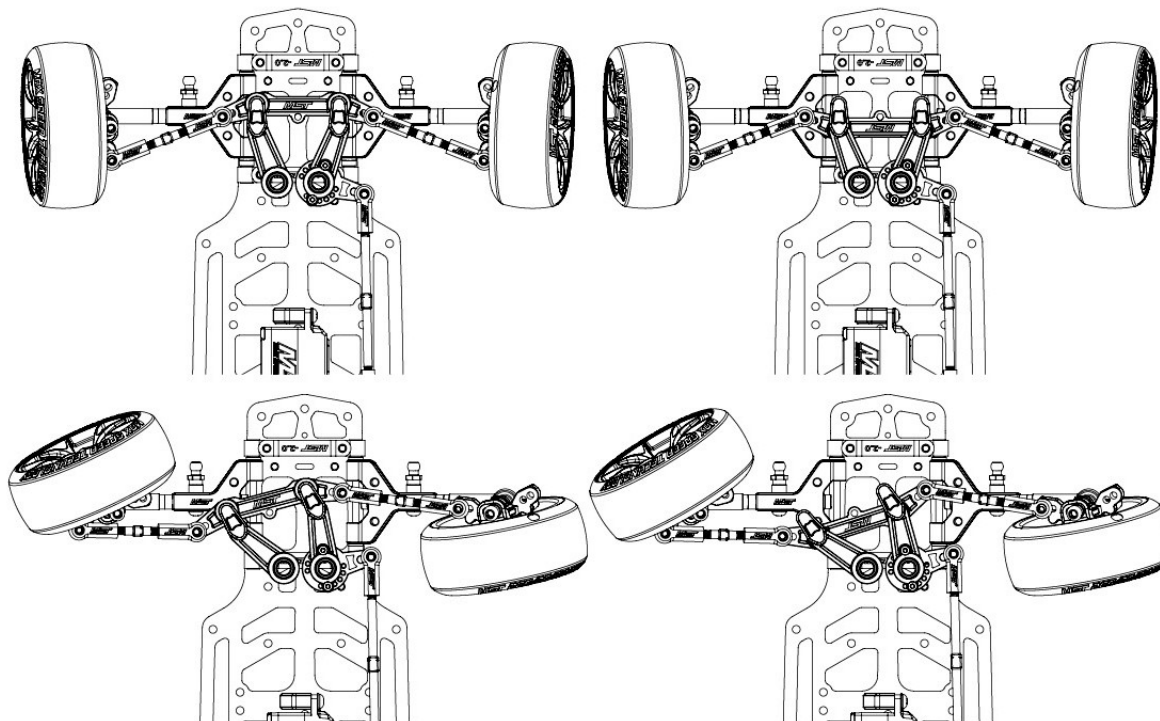
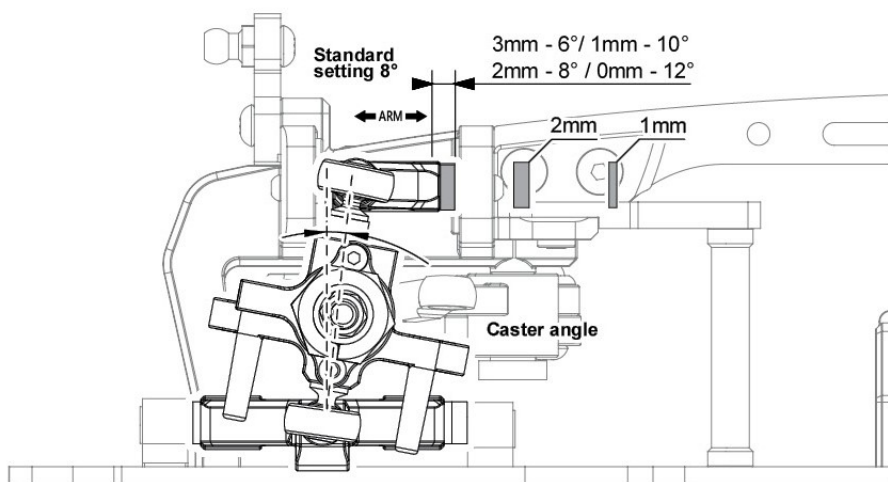
Extend the steering arm stroke (Longer EPA stroke)

延長轉向搖臂行程 (EPA行程較長)

The parallel time of the two rounds at the beginning of the steering movement is shorter and the end of the increase in the Ackerman angle is longer.

轉向運動初期兩輪平行時間較短，進入末期加大阿克曼角時間較長。

STEP 3 Rear caster angle setting 後傾角設定



DATE: Plastic tiles SURFACE: _____

TRACK: MST Station NOTE: _____

Caster

6°
 8°
 10°
 12°

Steering

FRONT	REAR
Tire: <u>Silver</u>	Tire: <u>Silver</u>
Wheel: <u>GT</u>	Wheel: <u>GT</u>
Offset: <u>+5</u>	Offset: <u>+5</u>

Front upright

2 mm
0 mm
2 mm

Front suspension

Camber: 7.5°
 Toe-out: 3.6

1 mm
10.5 mm
15.9 mm
5 mm

Ride height: 10 mm ↓ GROUND

Mode

RMX Motor HCG Mode 1

RMX Motor HCG Mode 2

RMX Motor LCG Mode

RMX Motor LCG Mode

Rear suspension

Camber: 2
 Toe-in: 1

13

GROUND ↓ Ride height: 5 mm

Rear upright

0 mm

Front Suspension mount Rollcenter

-2.0
0.5 mm
-2.0
0 mm

Rear Suspension mount Rollcenter

+13
0.0 mm
1 mm

Front damper

Shock oil: #10
 Spring: 26 mm ϕ 1.2
 Spring color: Green
 Piston: ϕ 1.2 mm
 Piston hole: 3

4.5 mm

Rear diff

Gear diff.
 Diff oil: #3000

Spur Gear + Pinion Gear × Reduction Gear = Gear ratio
80 T + 22 T × 3 = 10.9

Motor & ESC: _____ Battery: _____
 Transceiver: _____ Gyro: _____ Sensitivity: _____

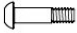





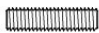








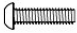


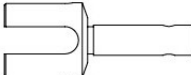




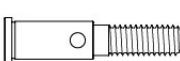




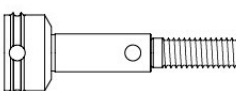




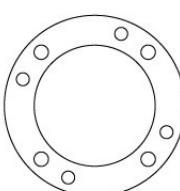



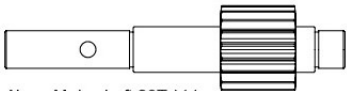



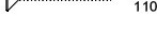




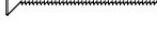



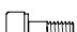







Rear damper

Shock oil: #10
 Spring: 28 mm ϕ 1.4
 Spring color: Purple-Green
 Piston: ϕ 1.2 mm
 Piston hole: 3

1 mm

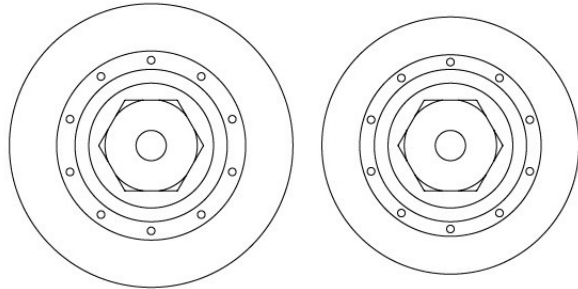
PARTS

Color 顏色	Remark 標示
Red 紅 / BACK 黑	R / BK

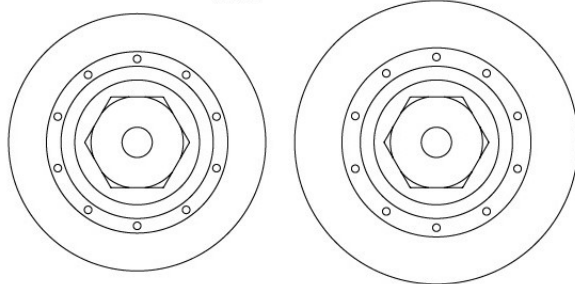
	M2×8 screw ×4 圓頭螺絲(半牙) 110045		M3×2.6 screw ×2 止付螺絲 110060		Cross joint ×2 連接軸 820030		O-ring P4 (red) ×2 O環 P4 130025		3×6×0.5 Spacer ×20 墊片 110047
	M2X3 screw ×4 圓頭螺絲 110082		M3×12 screw ×2 止付螺絲 110056		1.5×7.8 Shaft ×2 插銷 110059		Wheel nut m4 ×4 輪框螺帽 820074		3×6×2.5 Bearing ×4 軸承 120024
	M2×4 screw ×8 圓頭螺絲 110004		M2×6 Screw ×2 沉頭螺絲 110042		2×9.8 Shaft ×5 插銷 110017		R-clip 5.0 ×6 R-銷 5.0 820075		4×6×0.3 Spacer ×4 墊片 820017
	M2×8 screw ×10 圓頭螺絲 110063		M2.5×6 screw ×2 沉頭螺絲 110112		2×9.8 Shaft ×2 插銷 110046		Diff. joint ×2 傘差接杯 210685		5×7×0.1 Spacer ×2 墊片 820018
	M3×6 Screw ×5 圓頭螺絲 110001		M3×8 screw ×33 沉頭螺絲 110005		2×22 Shaft ×2 插銷 310047		2WD Axle ×2 二驅輪軸 820095		5×7×0.3 Spacer ×2 墊片 820020
	M3×8 screw ×20 圓頭螺絲 110002		M3×10 screw ×2 沉頭螺絲 110052		2×28 Shaft ×2 插銷 310103		Wheel axle ×2 萬向接杯 310065		2.5×9×0.1 Spacer ×8 墊片 310040
	M3×10 screw ×17 圓頭螺絲 110026		M3×12 Screw ×2 沉頭螺絲 110043		2.5×46 Arm shaft ×4 擺臂插銷 310048		Gear Diff. Gasket ×1 傘差止漏墊片組 230160		4×14×0.1 Spacer ×8 墊片 310039
	M3×12 screw ×1 圓頭螺絲 110029		M3×14 Screw ×2 沉頭螺絲 110081		Alum. Main shaft 20T ×1 鋁合金主齒軸 20T 310118		Steel CVD great angle universal shaft 44 ×2 鋼製大角度CVD傳動軸 44 820005		4×8×3 Ball bearing ×2 培林 120013
	M3×14 screw ×6 圓頭螺絲 110061		M3×16 Screw ×1 沉頭螺絲 110073		M3×25 Steel reinforced turnbuckle ×2 鋼製強化可調拉桿 810029		4×21 Steel center shaft ×2 鋼製心軸 310119		5×8 Ball bearing ×8 培林 120003
	M3×16 screw ×2 圓頭螺絲 110086		M3×20 Screw ×2 沉頭螺絲 110101		M3×28 Alum. turnbuckle (red) ×4 鋁製可調拉桿(紅) 810009R		10×15 Ball bearing ×2 培林 120001		
	M3×20 screw ×4 圓頭螺絲 110088		M3×6 Screw ×2 有頭螺絲(半牙) 110011		M3×68 Alum. turnbuckle (red) ×1 鋁製可調拉桿(紅) 210218R				
	4.8 Ball connector ×5 外六角球頭 210161		M3×30 Screw ×1 有頭螺絲(半牙) 110100						
	4.8 Ball connector L ×6 外六角球頭(長) 210344		M3×40 Screw ×3 有頭螺絲(半牙) 110091						
	4.8×4.5 Ball connector ×7 球頭螺絲 310001								
	5.8×6 Ball connector ×4 球頭螺絲 210625								

PARTS

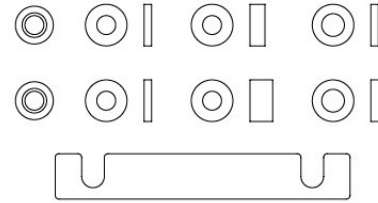
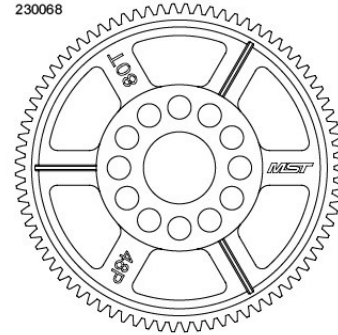
Color 顏色	Remark 標示
Red 紅 / BACK 黑	R / BK



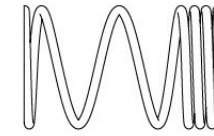
Wheel hubs w/disc shape (large) with sticker
碟型六角輪座組 (加大型) 附貼紙
230041



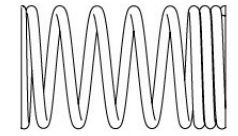
Spur gear 48P 80T
大直齒
230068



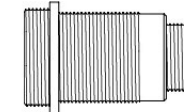
Suspension ball & spacer set ×4
插銷球頭 & 墊片組
230159



DK-RWD Drift spring (26mm) ×2 (green)
DK-RWD 飄移車前避震彈簧(26mm) (綠)
820157



DK-RWD Drift spring (28mm) ×2 (purple-green)
DK-RWD 飄移車後避震彈簧(28mm) (紫綠)
820157



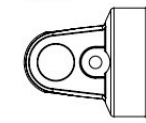
Damper cylinder ×4
避震筒身
210071



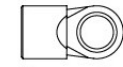
Piston rod ×4
避震軸心
310008



Piston ×4
避震活塞
210235



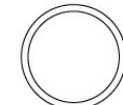
Cylinder cap ×4
避震器上蓋
210057



Damper adjuster ×4
避震器拉桿
820079



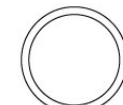
Rod guide cap ×4
避震器下蓋
210057



10.8×0.9 O-ring ×4
O環
130032



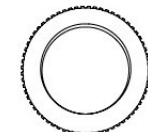
Damper retainer ×4
避震器彈簧座
820079



12×1 O-ring ×4
O環
130049



Oil seal ×4
避震器氣室
130004



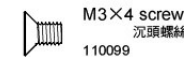
Spring retainer (red) ×4
避震器調整環 (紅)
310106R



Rod guide ×4
避震器下蓋墊片
210235



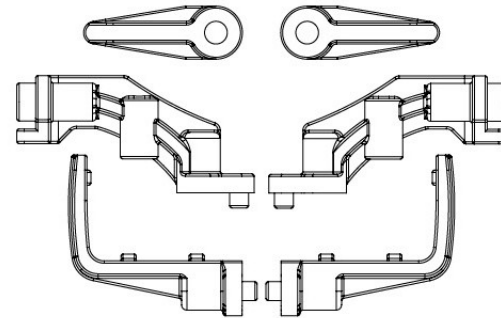
E-clip ×10
E形扣
110013



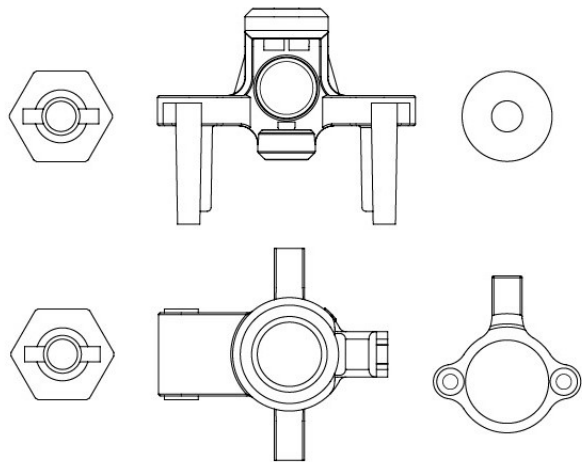
M3×4 screw ×4
沉頭螺絲
110099



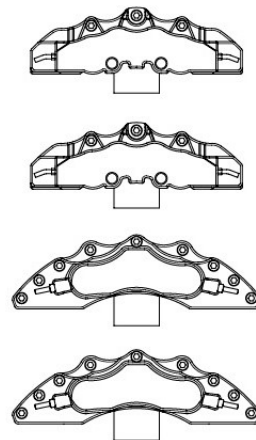
Damper O-ring P3 ×4
避震器O環
130059



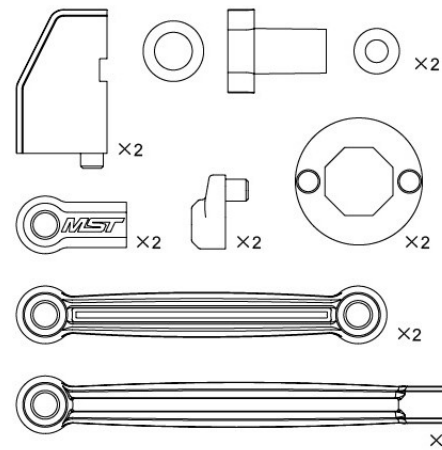
Quick-release battery mount
快拆式電池座組
230145



ATK V2 Front wheel hubs & THA rear hubs ×2
ATK V2 前輪座組 & THA 後輪座
230153



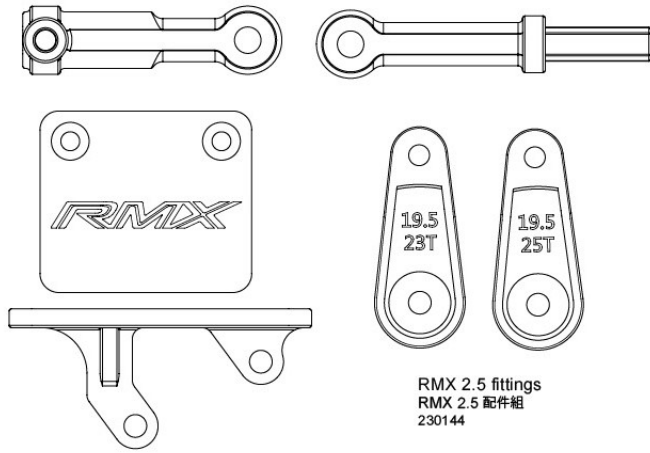
Enlarged brake calipers (red)
加大剎車卡鉗 (紅)
210510CR



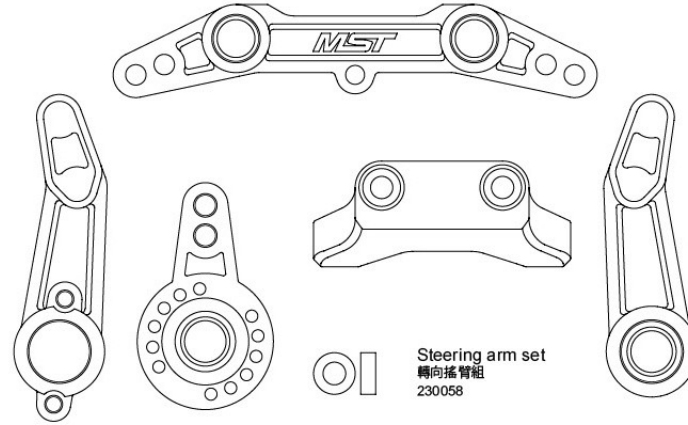
RMX 2.0 RTR fittings
RMX 2.0 RTR 配件組
230092

PARTS

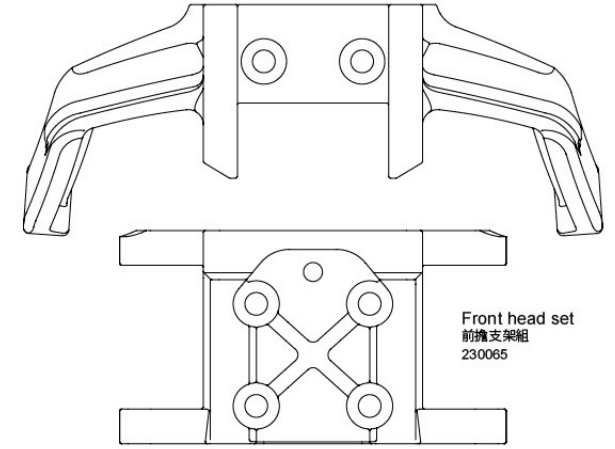
Color 顏色	Remark 標示
Red 紅 / BACK 黑	R / BK



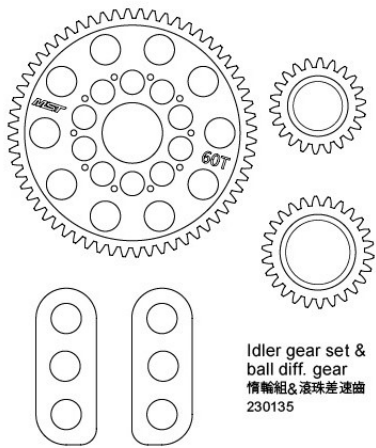
RMX 2.5 fittings
RMX 2.5 配件組
230144



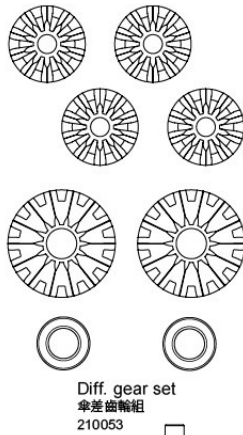
Steering arm set
轉向搖臂組
230058



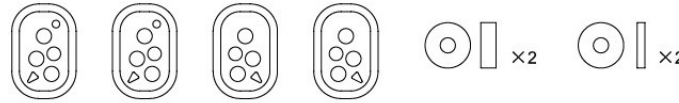
Front head set
前擋支架組
230065



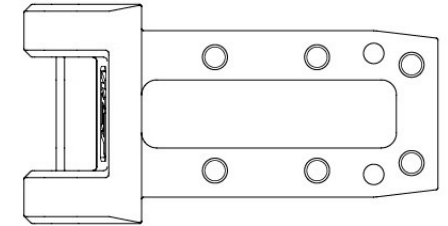
Idler gear set &
ball diff. gear
惰輪組及滾珠差速齒
230135



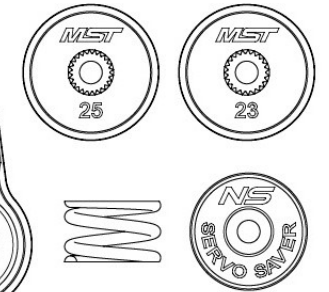
Diff. gear set
傘差齒輪組
210053



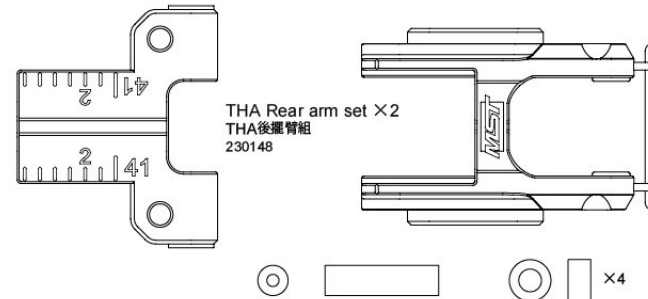
Shaft bush & spacer set
襯套墊片組
230070BK



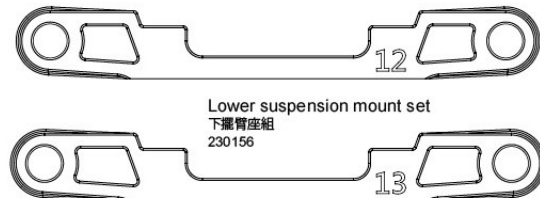
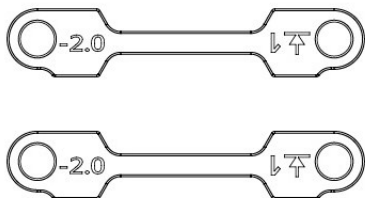
NS High-torque
servo saver
NS 高扭力伺服緩衝器
820126



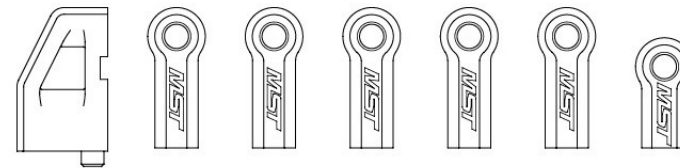
Alum. post M3×13 ×1
鋁合金支柱 M3×13
210561R



THA Rear arm set ×2
THA後擺臂組
230148



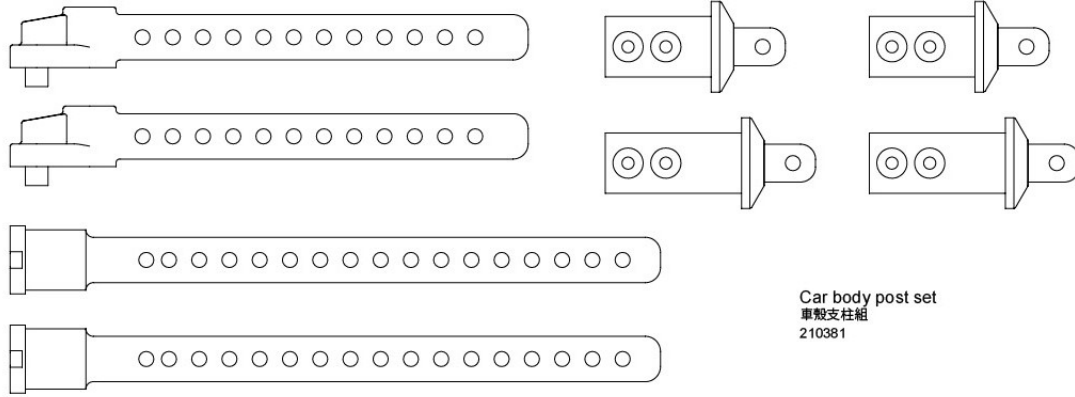
Lower suspension mount set
下擺臂座組
230156



4.8 Rod ends set (M/S) ×2
4.8 拉桿頭組 (M/S)
230067

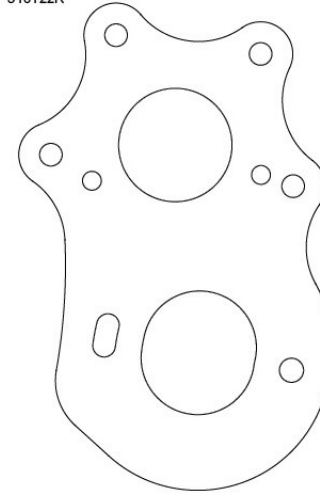
PARTS

Color 顏色	Remark 標示
Red 紅 / BACK 黑	R / BK

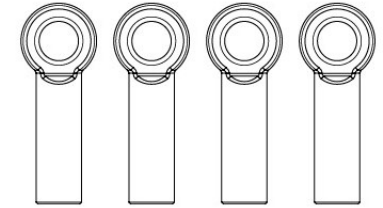


Car body post set
車殼支柱組
210381

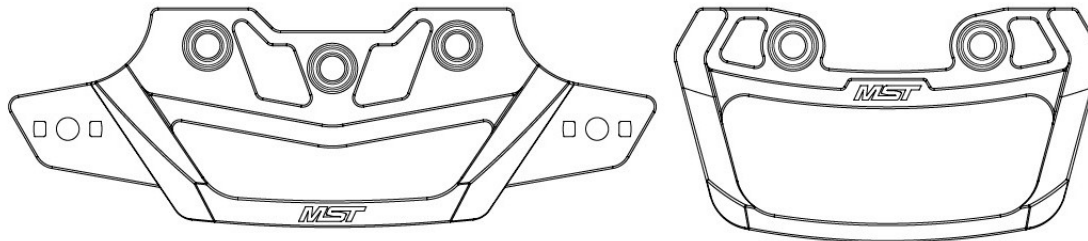
Spur gearbox motor mount (black)
RMX 直齒箱馬達座 (紅)
310122R



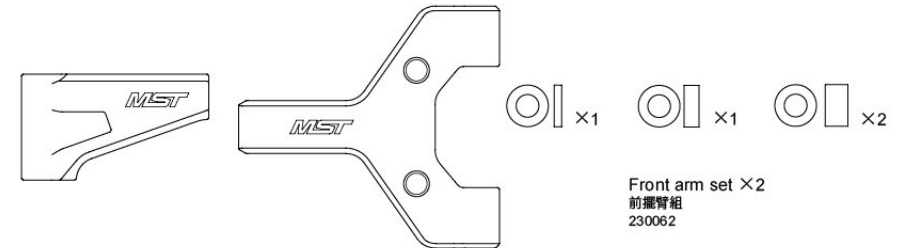
PVC Deck protective film ×2
PVC 底盤防刮貼
820152



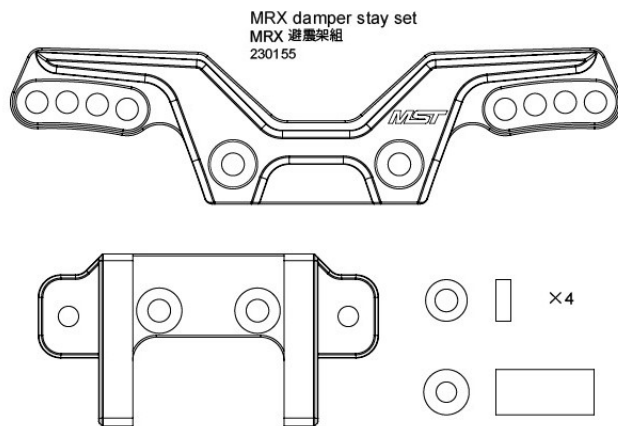
5.8×26 Reinforced adjuster set
強化拉桿頭組
210031



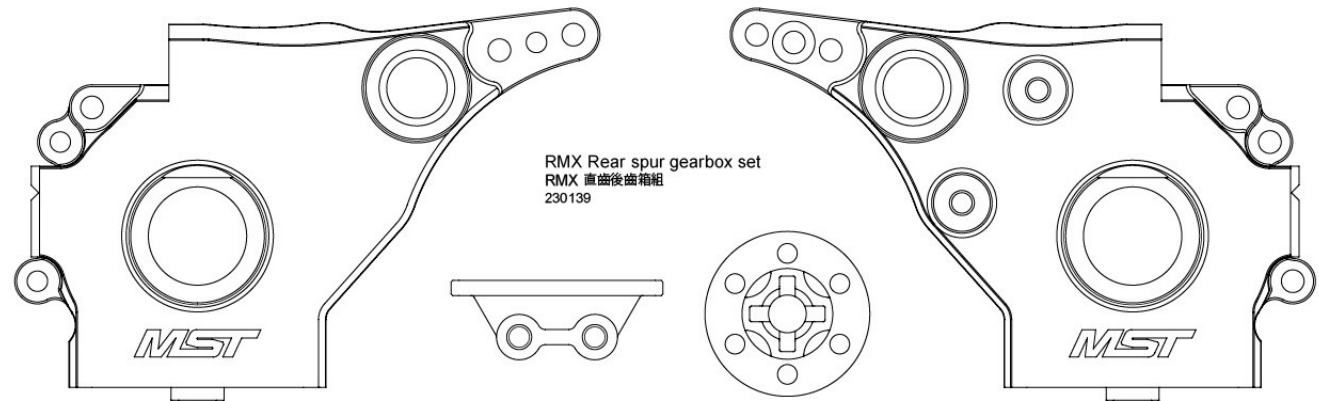
Lightweight front bumper support set
輕量化前防撞板 & 後握把組
230161



Front arm set ×2
前擺臂組
230062



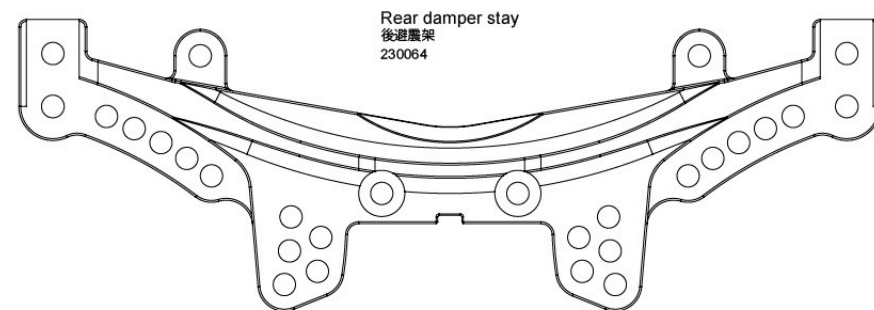
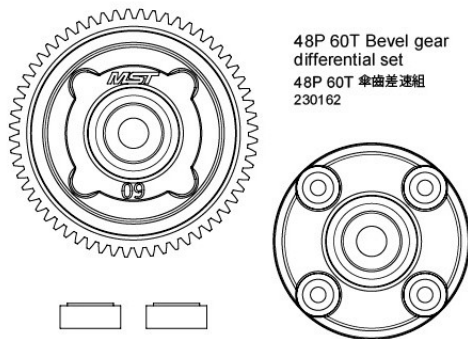
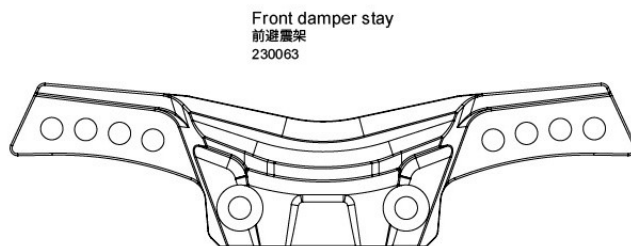
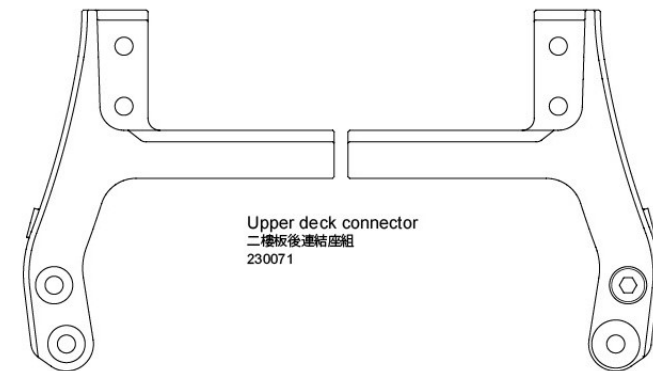
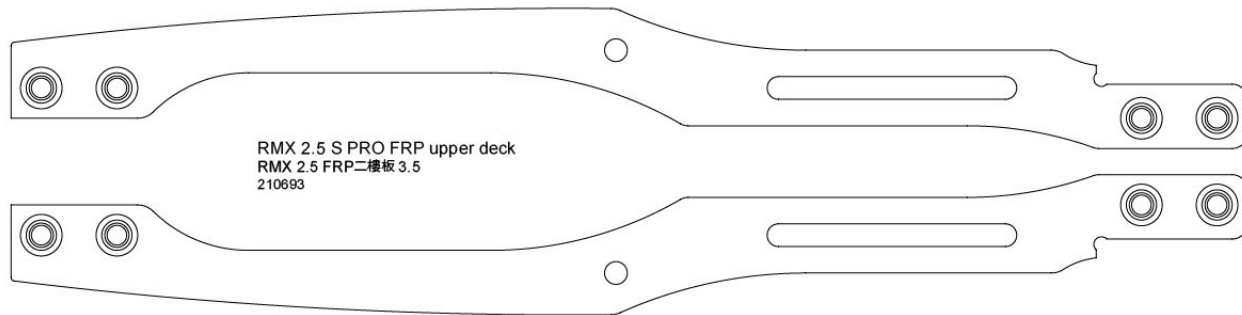
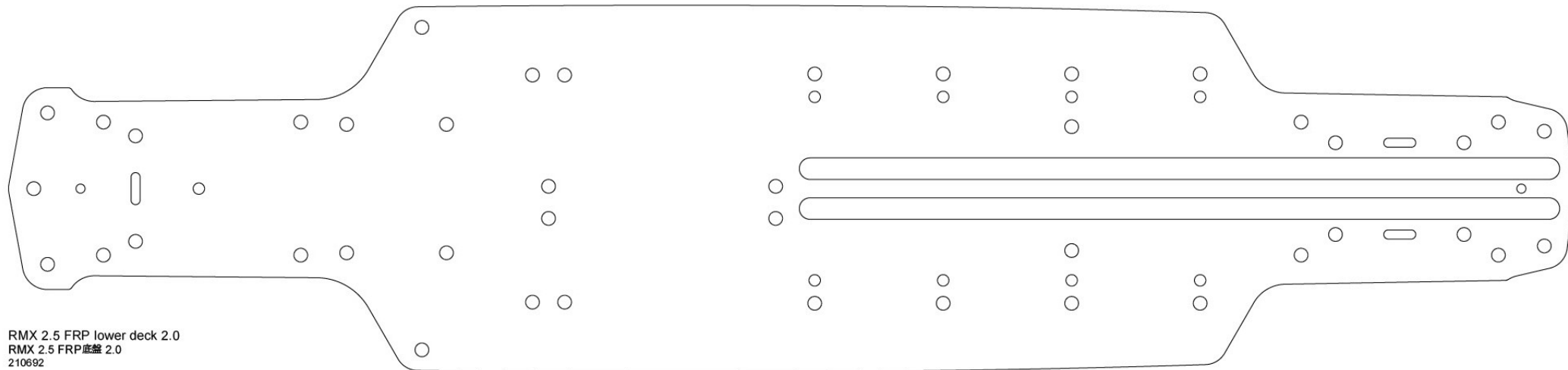
MRX damper stay set
MRX 避震架組
230155



RMX Rear spur gearbox set
RMX 直齒後齒箱組
230139

PARTS

Color 顏色	Remark 標示
Red 紅 / BACK 黑	R / BK



PARTS CODE

110001	Round head screw M3×6 (10)	210100	Cap screw M3×30 (6)	210692	RMX 2.5 FRP lower deck 2.0	310047	Arm shaft 2.0×22 (2)
110002	Round head screw M3×8 (10)	210101	Countersunk screw M3×20 (6)	210693	RMX 2.5 S PRO FRP upper deck	310048	Arm shaft 2.5×46 (4)
110004	Round head screw M2×4 (6)	210112	Countersunk screw M2.5×6 (6)	230041	Wheel hubs w/disc shape (large)	310065	Wheel axle (2)
110005	Countersunk screw M3×8 (10)	120001	Ball bearing 10×15 (4)	230058	Steering arm set	310103	Arm shaft 2×28 (2)
110011	Cap screw M3×6 (6)	120002	Ball bearing 5×10 (4)	230062	Front arm set	310106R	Spring retainer (red) (2)
110013	E-clip 2.0 (10)	120003	Ball bearing 5×8 (4)	230063	Front damper stay	310118	Alum. main shaft 48P 20T
110017	Shaft 2×9.8 (10)	120013	Ball bearing 4×8×3 (2)	230064	Rear damper stay	310119	4X21 Steel center shaft (2)
110026	Round head screw M3×10 (10)	120018	Ball bearing 4×10×4 (2)	230065	Front head set	310122R	RMX Alum. spur gearbox motor mount (red)
110029	Round head screw M3×12 (6)	120024	Bearing 3×6×2.5 (4)	230067	4.8 Rod ends set (M/S)	810009R	Alum. reinforced turnbuckle 3×28 (red) (2)
110042	Countersunk screw M2×6 (6)	130004	Oil seal (4)	230068	Spur gear 48P-80T	810029	Steel reinforced turnbuckle 3×25 (2)
110043	Countersunk screw M3×12 (10)	130032	Damper cap O-ring (10)	230070BK	Shaft bush & spacer set	820005	Steel CVD great angle universal shaft 44 (2)
110045	Round head screw M2×8 (partial thread) (6)	130049	O-ring 12×1 (4)	230071	Upper deck connector	820017	Spacer 4×6×0.3 (8)
110046	Shaft 2×9.8 (8)	130059	High-smooth damper O-ring P3 (white) (10)	230092	RMX 2.0 RTR fittings	820018	Spacer 5×7×0.1 (8)
110047	Spacer 3×6×0.5 (8)	210031	Reinforced adjuster set 5.8×26	230135	Idler gear set & ball diff. gear	820020	Spacer 5×7×0.3 (8)
110052	Countersunk screw M3×10 (10)	210057	Damper cap set	230139	RMX Rear spur gearbox set	820030	Cross joint (2)
110056	Set screw M3×12 (6)	210161	Ball connector nut 4.8 (4)	230144	RMX 2.5 fittings	820074	Wheel nut m4 (4)
110059	Shaft 1.5×7.8 (8)	210218R	Alum. turnbuckle 3×68 (red)	230145	Quick-release battery mount	820075	R-clip 5.0 (10)
110060	Set screw M3×2.6 (10)	210235	Piston spacer set	230148	THA Rear arm set	820079	Damper plastic maintenance set (2)
110061	Round head screw M3×14 (6)	210270	Bevel gear diff. repair set	230153	ATK V2 Front wheel hubs & THA rear hubs	820095	AKM 2WD axle (2)
110063	Round head screw M2×8 (6)	210344	Ball connector nut L 4.8 (4)	230155	MRX F damper stay & upper deck connection set	820126	NS High-torque servo saver
110073	Countersunk screw M3×16 (6)	210381	Car body post set	230156	Lower suspension mount set	820152	PVC Deck protective film
110081	Countersunk screw M3×14 (6)	210510CR	Enlarged brake calipers (red) (4)	230159	Suspension ball & spacer set	820157	DK-RWD Drift spring set (F26/R28)(6&6)
110082	Round head screw M2×3 (6)	210561R	Alum. post M3×13 (red) (2)	230160	Gear diff. gasket (4)		
110086	Round head screw M3×16 (6)	210625	Ball connector L 5.8×6 (4)	230161	Lightweight front bumper support set		
110088	Round head screw M3×20 (6)	210677	60T Spur Gear-Bevel gear differential	310001	Ball connector 4.8×4.5 (5)		
110091	Cap screw M3×40 (6)	210683	Reinforced bevel diff. assembly	310008	Piston rod (4)		
110099	Countersunk screw M3×4 (10)	210685	Bevel gear diff. joint set				

部品編號

110001	六角半圓頭螺絲 M3×6 (10)	210100	六角有頭螺絲 M3×30 (半牙) (6)	210692	RMX 2.5 FRP底盤 2.0	310048	擺臂插銷 2.5×46 (4)
110002	六角半圓頭螺絲 M3×8 (10)	210101	六角沉頭螺絲 M3×20 (6)	210693	RMX 2.5 S PRO FRP二樓板	310065	萬向接杯 (2)
110004	六角半圓頭螺絲 M2×4 (6)	210112	六角沉頭螺絲 M2.5×6 (6)	230041	碟型六角輪座組 (加大型)	310103	擺臂插銷 2×28 (2)
110005	六角沉頭螺絲 M3×8 (10)	120001	培林 10×15 (4)	230058	轉向搖臂組	310106R	避震調整環 (紅) (2)
110011	六角有頭螺絲 M3×6 (半牙) (6)	120002	培林 5×10 (4)	230062	前擺臂組	310118	鋁合金主齒軸 48P 20T
110013	E扣 2.0 (10)	120003	培林 5×8 (4)	230063	前避震架	310119	4×21 鋼製心軸 (2)
110017	插銷 2×9.8 (10)	120013	培林 4×8×3 (2)	230064	後避震架	310122R	RMX 鋁合金直齒箱馬達座 (紅)
110026	六角半圓頭螺絲 M3×10 (10)	120018	培林 4×10×4 (2)	230065	前擋支架組	810009R	鋁合金強化可調拉桿 3×28 (紅) (2)
110029	六角半圓頭螺絲 M3×12 (6)	120024	軸承 3×6×2.5 (4)	230067	4.8 拉桿頭組 (M/S)	810029	鋼製強化可調拉桿 3×25 (2)
110042	六角沉頭螺絲 M2×6 (6)	130004	避震氣室 (4)	230068	大齒盤 48P-80T	820005	鋼製大角度CVD傳動軸 44 (2)
110043	六角沉頭螺絲 M3×12 (10)	130032	避震上蓋O環 (10)	230070BK	襯套墊片組	820017	墊片 4×6×0.3 (8)
110045	六角半圓頭螺絲 M2×8 (半牙) (6)	130049	O環 12×1 (4)	230071	二樓板後連結座組	820018	墊片 5×7×0.1 (8)
110046	插銷 2×9.8 (剖溝) (8)	130059	高順暢阻尼器O環 P3 (白)(10)	230092	RMX 2.0 RTR 配件組	820020	墊片 5×7×0.3 (8)
110047	墊片 3×6×0.5 (8)	210031	強化拉桿頭組 5.8×26	230135	惰輪組&滾珠差速齒	820030	連接軸 (2)
110052	六角沉頭螺絲 M3×10 (10)	210057	避震器上下蓋組	230139	RMX 直齒式後齒箱組	820074	輪框螺帽 M4 (4)
110056	六角止付螺絲 M3×12 (6)	210161	球頭螺帽 4.8 (4)	230144	RMX 2.5配件組	820075	R銷 5.0 (10)
110059	插銷 1.5×7.8 (8)	210218R	鋁製可調拉桿 3×68 (紅)	230145	快拆式電池座組	820079	避震膠件包 (2)
110060	六角止付螺絲 M3×2.6 (10)	210235	避震器活塞墊片組	230148	THA後擺臂組	820095	AKM 二驅輪軸 (2)
110061	六角半圓頭螺絲 M3×14 (6)	210270	傘差維修包	230153	ATK V2 前輪座組 & THA 後輪座	820126	NS 高扭力伺服緩衝器
110063	六角半圓頭螺絲 M3×8 (6)	210344	球頭螺帽 L 4.8 (4)	230155	MRX 前避震架 & 二樓板前連結座	820152	PVC 底盤防刮貼
110073	六角沉頭螺絲 M3×16 (6)	210381	車殼支柱組	230156	下擺臂座組	820157	DK-RWD飄移車前後避震彈簧組 (F26/R28)(6&6)
110081	六角沉頭螺絲 M3×14 (6)	210510CR	加大煞車卡鉗 (紅) (4)	230159	插銷球頭 & 墊片組		
110082	六角半圓頭螺絲 M2×3 (6)	210561R	鋁合金支柱 M3×13 (紅) (2)	230160	傘差止漏墊片組 (4)		
110086	六角半圓頭螺絲 M3×16 (6)	210625	球頭螺絲 L 5.8×6 (4)	230161	輕量化前防撞板 & 後提把組		
110088	六角半圓頭螺絲 M3×20 (6)	210677	60T-傘齒差速器	310001	內六角公球頭 4.8×4.5 (5)		
110091	六角有頭螺絲 M3×40 (半牙) (6)	210683	強化傘齒總成組	310008	避震軸心 (4)		
110099	六角沉頭螺絲 M3×4 (10)	210685	傘差接杯組	310047	擺臂插銷 2.0×22 (2)		