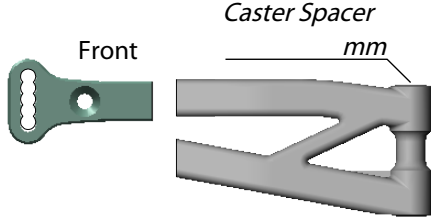
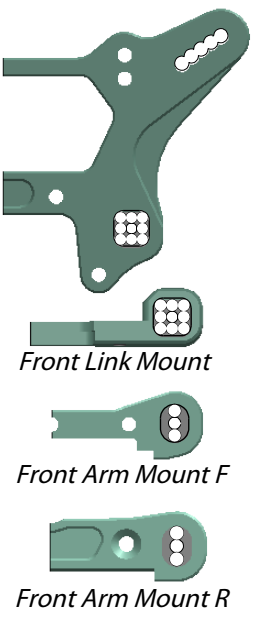


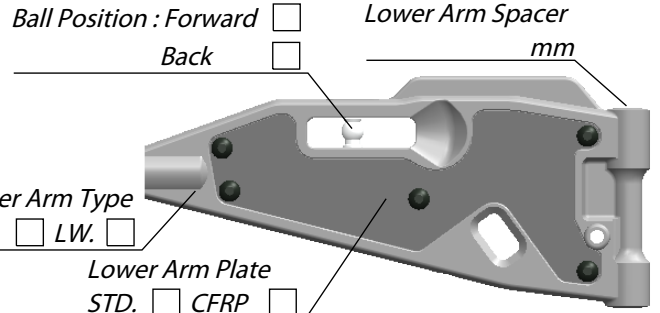
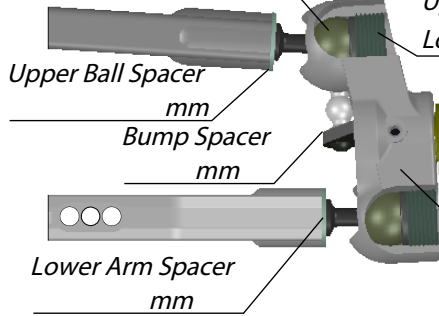
Driver : \_\_\_\_\_  
 Date : \_\_\_\_\_  
 Track : \_\_\_\_\_  
 Event : \_\_\_\_\_

Track Condition  
 Size : Open  Med.  Tight   
 Traction : High  Med.  Low   
 Condition : Smooth  Bumpy  Dry  Wet   
 Dusty  Grooved  Hard Packed

### Front Suspension



Upper : Alu.  Steel   
 Lower : Alu.  Steel



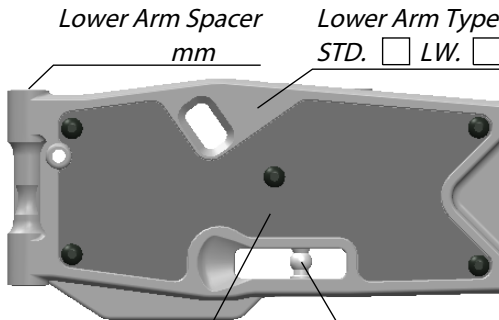
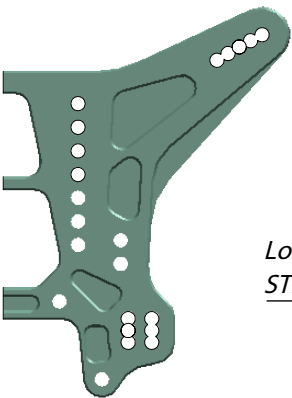
Lower Arm Type  
 STD.  LW.

Lower Arm Plate  
 STD.  CFRP

Upper : Alu.  Steel   
 Lower : Alu.  Steel

Ride Height :	Toe :
Anti-roll Bar :	
F Upright Arm : 0 Dot <input type="checkbox"/> 1 Dot <input type="checkbox"/>	
Drive Shaft : CVA <input type="checkbox"/> Universal <input type="checkbox"/>	
Chassis Brace : Short <input type="checkbox"/> Long <input type="checkbox"/>	
Servo Saver Arm : STD. <input type="checkbox"/> Alu. <input type="checkbox"/>	
Servo Horn : STD. <input type="checkbox"/> Alu. <input type="checkbox"/>	
Length :	

### Rear Suspension

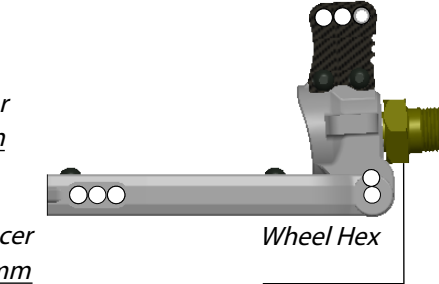


Lower Arm Plate  
 STD.  CFRP

Ball Position : Forward   
 Back



Rear Arm Mount F      Rear Arm Mount R



Ride Height :	Camber :
Rear Hub : Plastic <input type="checkbox"/> Alu. <input type="checkbox"/>	
Anti-Roll Bar :	
Drive Shaft : CVA <input type="checkbox"/> Universal <input type="checkbox"/>	
Rear Link Plate : 1Dot <input type="checkbox"/> 3Dot <input type="checkbox"/>	
Dot Orientation : In <input type="checkbox"/> Out <input type="checkbox"/>	

Shocks	Front		Rear		Differential Oil	Front		Center		Rear	
		Piston									
	Oil				Center Drive Shaft	Dog Born <input type="checkbox"/>				Dog Born <input type="checkbox"/>	
	Spring				Clutch & Gearing	Universal <input type="checkbox"/>				Universal <input type="checkbox"/>	
	Bladder	<input type="checkbox"/>		<input type="checkbox"/>	Spring Position : Dot <input type="checkbox"/> Non Dot <input type="checkbox"/>	Spur Gear	T	Bell	T		
	Emulsion	<input type="checkbox"/>		<input type="checkbox"/>	Shoe :			3Pin <input type="checkbox"/>		4Shoe <input type="checkbox"/>	
	Length	mm		mm	Spring :						
	Notes :										

Engine		Body & Wing		Tire	Front		Rear	
Type		Body		Type				
Muffler		Wing		Compound				
Manifold		Front Wing		Inserts				
Fuel		Gap to Tower		Wheel				
Reducer		Wing Position 		Chassis Weight	Front : g		Rear : g	
Grow Plug				Notes :				
Engine Mount : STD. <input type="checkbox"/> 1pc. <input type="checkbox"/>								