



# RC8B TEAM KIT



#80940 RC8B3.2e TEAM KIT

1:8 Scale Electric 4WD Off Road Competition Buggy Kit Manual & Catalog



CHAMPIONS *by* DESIGN

[AssociatedElectrics.com](http://AssociatedElectrics.com)

# TEAM ASSOCIATED

## :: Introduction

Thank you for purchasing this Team Associated product. This assembly manual contains instructions and tips for building and maintaining your new Kit. Please take a moment to read through this manual to help familiarize yourself with these steps. We are continually changing and improving our designs; therefore, actual parts may appear slightly different than in the illustrations. New parts will be noted on supplementary sheets located in the appropriate parts bags. Check each bag for these sheets before you start to build.

## :: KIT Features

Features in the RC8B3.2e Kit:

- New suspension arm design with inserts for flex adjustments
- Longer rear suspension arm length with narrow rear arm mounts
- New stiff shock bladder design improves jumping and handling performance
- Updated shock cap works for bladder or emulsion style shock setups
- Shorter and lower front bumper reduces drag and allows easier access to anti-roll bar screws
- I.F.M.A.R. approved rear wing
- 42T ring and 12T pinion gears on front and rear differentials for improved gear ratios
- Updated chassis with chamfered front edges to reduce drag
- Side guards are now threaded into the chassis from the top side of the car
- Two-piece sliding motor mount for easy gear mesh adjustment and motor removal
- 90% parts compatibility with RC8B3.1e

## :: Additional

Your new RC8B3.2e Kit comes as a kit. There are some items you will need to complete your kit (refer to catalog for suggestions):

- 2 or 3 channel radio/transmitter - /2.4GHz recommended
- 1/8th scale sized motor (#27405, #27406)
- 4s LiPo Battery Pack (#27341, #27342)
- Steering servo - (#27101, #27115)
- 1:8 scale buggy tires
- Needle-nose pliers
- 1:8 scale buggy wheels
- Hobby knife
- Transmitter batteries
- 1/8th scale sized ESC (#27007)
- Polycarbonate-specific paint
- Thread-locking compound - (#1596)
- CA (cyanoacrylic) glue - (#1597)
- Reamer / hole punch
- Ride height gauge

## :: Other Helpful Items

- Silicone Shock/Diff Fluids (Refer to catalog for complete listings)
- Shock Pliers - (#1675)
- Reamer / Hole Punch - (#1499)
- Ride Height Gauge - (#1449)
- FT 5.0mm Hex Driver - (#1506)
- FT Hex Wrenches - (#1518)
- Wire Cutters
- Turnbuckle Wrench - (#1114)
- Scissors - (#1737)
- Body Scissors (AE #1737)
- FT Hex Wrenches / Nut Drivers - (#1519)
- Calipers or a Precision Ruler
- Wheel Nut Wrench 17mm - (#1571)














**Associated Electrics, Inc.**  
 21062 Bake Parkway  
 Lake Forest, CA 92630















**Customer Service**  
 Tel: 949.544.7500  
 Fax: 949.544.7501

**:: Hardware - 1:1 Scale View**







**Flat Head (fhcs)**

	<b>2.5x6mm (4675)</b>
	<b>2.5x8mm (31448)</b>
	<b>3x6mm (31541)</b>
	<b>3x8mm (25201)</b> <b>Titanium (91592)</b>
	<b>3x10mm (25202)</b> <b>Titanium (91593)</b>
	<b>3x12mm (25203)</b> <b>Titanium (91594)</b>
	<b>3x14mm (89208)</b> <b>Titanium (91595)</b>
	<b>3x30mm (89212)</b>
	<b>4x10mm (81262)</b>
	<b>4x12mm (89214)</b>
	<b>4x14mm (89217)</b>
	<b>4x16mm (81263)</b>
	<b>4x20mm (81264)</b>








**Button Head (bhcs)**

	<b>2x4mm (91492)</b>
	<b>2.5x6mm (31520)</b>
	<b>2.5x8mm (31521)</b>
	<b>2.5x18mm (81259)</b>
	<b>3x6mm (31531)</b> <b>Titanium (91580)</b>
	<b>3x10mm (25211)</b>
	<b>3x14mm (25187)</b> <b>Titanium (91584)</b>
	<b>3x16mm (89203)</b> <b>Titanium (91585)</b>
	<b>3x20mm (25188)</b>
	<b>3x24mm (89204)</b> <b>Titanium (91589)</b>
	<b>4x14mm (81260)</b>
	<b>4x16mm (81261)</b>










**Set Screws**

	<b>3x3mm (25225)</b>
	<b>3x6mm (81257)</b>
	<b>3x10mm (4671)</b>
	<b>3x12mm (81258)</b>
	<b>4x4mm (7732)</b>
	<b>5x4mm (89221)</b>



**Ball Bearings**

	<b>5x8x2.5mm (8680)</b>
	<b>5x10x4mm (91560)</b>
	<b>6x10x3mm (31404)</b>
	<b>6x12x4mm (91561)</b>
	<b>8x16x5mm (91564)</b>
	<b>8x16x5mm flanged (91565)</b>
	<b>15x21x4mm (91566)</b>






**Nuts (lock/plain)**

	<b>M2.5 LockNut, Silver (89215)</b>
	<b>M3 Nut (91477)</b>
	<b>M3 Alum. Locknut, Blue (31550)</b>
	<b>M3 Locknut, Black (25215)</b>
	<b>M3 Locknut w/Flange (25612)</b>
	<b>FT 3mm Locknuts, Blue(25392)</b>
	<b>M4 Locknut (89216)</b>
	<b>FT M4 Locknut, Blue (31551)</b>
	<b>M4 Locknut, Serrated (91738)</b>

**Washers / Shims**

	<b>5.5x0.5mm (31381)</b>
	<b>5.5x1.0mm (31382)</b>
	<b>5.5x2.0mm (31383)</b>
	<b>2.6x6mm Washer (89278)</b>
	<b>Bulkhead Washers</b>
	<b>7.8x2.0mm, Blue (31386)</b>
	<b>3x8mm Washer (89218)</b>

**Socket Head (shcs)**

	<b>2x5mm (31511)</b>
	<b>2x16mm (7184)</b>
	<b>3x8mm (89223)</b>
	<b>3x10mm (25620)</b>
	<b>3x24mm (89225)</b>

## :: Table of Contents

1..... Cover	16 - 18.....Rear End Build (Bag 7.1, 7.2, 7.3)
2..... Introduction	19.....Rear Hubs Build (Bag 8.1, 8.2)
3..... 1:1 Hardware "Fold Out"	20.....Center Bulkhead Build (Bag 9.1, 9.2)
4..... Table of Contents	20 - 21.....Battery Tray Build (Bag 10.1, 10.2)
5 - 7.....Differentials Build (Bag 1.1, 1.2)	22.....Receiver Box Build (Bag 11.1, 11.2)
7 - 8.....Shocks Build (Bag 2.1)	23.....Wheels / Tires / Body (Misc.)
9.....Turnbuckles Build (Bag 3.1, 3.2)	24 - 33.....Droop Settings / Catalog
10 - 11.....Steering / Chassis Build (Bag 4.1, 4.2)	34..... Back Cover
11 - 14.....Front Gearbox Build (Bag 5.1, 5.2, 5.3)	
14 - 15.....Steering Blocks Build (Bag 6.1, 6.2)	

## :: Notes



***This symbol indicates a special note or instruction in the manual.***



***This symbol indicates a Racers Tip.***



***There is a 1:1 hardware foldout page in the front of the manual. To check the size of a part, line up your hardware with the correct drawing until you find the exact size. Each part in the foldout has a number assigned to it for ordering replacement parts.***

**Associated Electrics, Inc.  
21062 Bake Parkway.  
Lake Forest, CA 92630**



**Customer Service  
Tel: 949.544.7500  
Fax: 949.544.7501**

**:: Differential Build (Front and Rear) - Bag 1.1, 1.2 - Step 1**

#6588 black grease

**81379**  
Diff Case

**81385**  
Outdrive O-Ring  
5.8x1.9mm

**91564**  
8x16x5 Bearing

**81381**  
Diff Shim  
6x8x0.20mm

#6588 black grease

**81008**  
15mm Outdrive,  
Rear Diff

**81012**  
17mm Outdrive,  
Front Diff

**81380**  
Pin  
2.5x12mm

**81380**  
Diff Sun Gear, 20T,  
HTC

Set aside 13x15.8mm shims until diff install

Align pin with groove in sun gear

**:: Differential Build (Front and Rear) - Bag 1.1, 1.2 - Step 2**

**81381** x4  
Diff Shim  
3.6x12x0.12mm

**81380** x2  
Diff Crosspin

**81380** x4  
Diff Planet Gear, 10T,  
HTC

**Racer's Tip:**  
You can use #81385 planet o-ring between the planet gears and the diff shims as a tuning option.  
**Do not install 3.3x1.5mm planet o-ring for kit setup.**

**:: Differential Build (Front and Rear) - Bag 1.1, 1.2 - Step 3**

#6588 black grease

**81009**  
Diff Ring Gear, 42T

**81385**  
Outdrive O-Ring  
5.8x1.9mm

**91564**  
8x16x5 Bearing

**81381**  
Diff Shim  
6x8x0.20mm

#6588 black grease

**81008**  
15mm Outdrive,  
Rear Diff

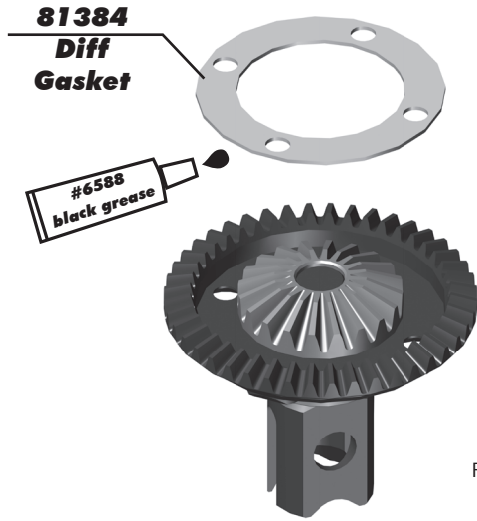
**81012**  
17mm Outdrive,  
Front Diff

**81380**  
Pin  
2.5x12mm

**81380**  
Diff Sun Gear, 20T,  
HTC

Align pin with groove in sun gear

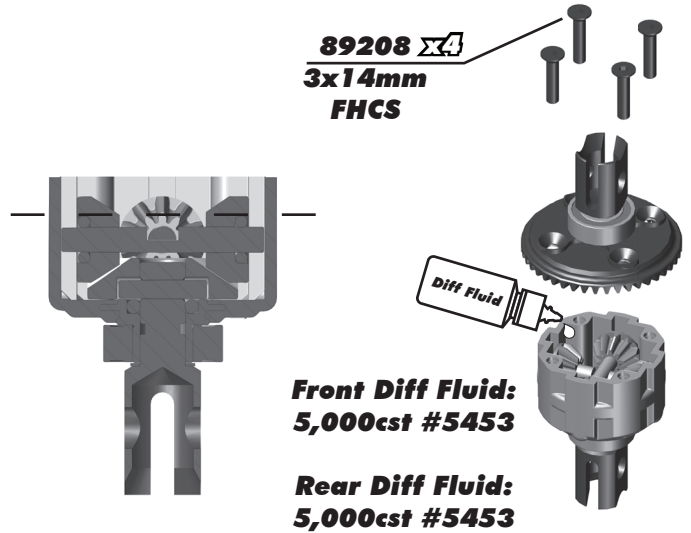
**:: Differential Build (Front and Rear) - Bag 1.1, 1.2 - Step 4**



**Racer's Tip:**  
Use black grease (#6588) to coat the diff gasket before installation!



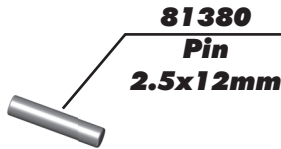
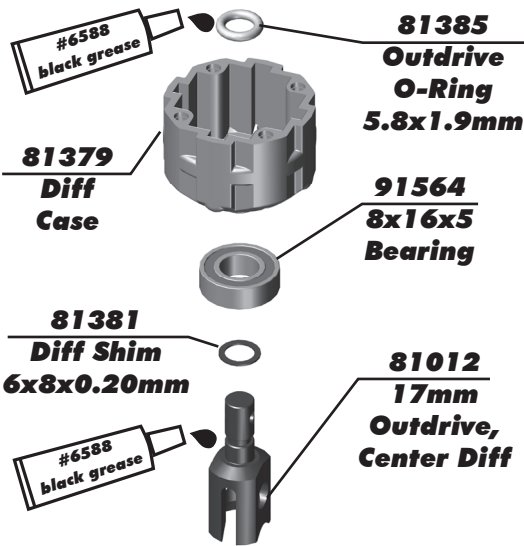
**Racer's Tip:**  
Fill diff above the cross pins, below the planet gears as shown.



**Front Diff Fluid:**  
5,000cst #5453

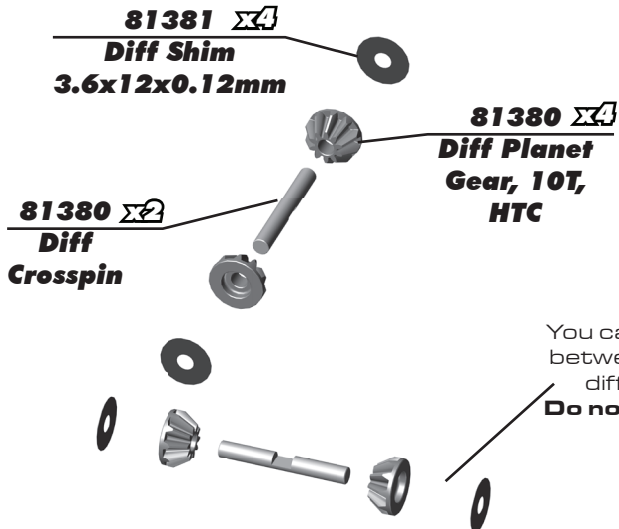
**Rear Diff Fluid:**  
5,000cst #5453

**:: Differential Build (Center) - Bag 1.1, 1.2 - Step 5**

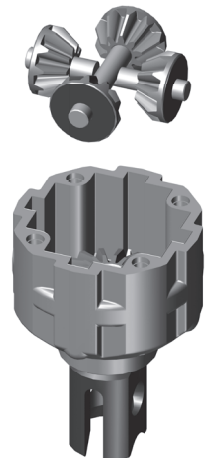


Align pin with groove in sun gear

**:: Differential Build (Center) - Bag 1.1, 1.2 - Step 6**



**Racer's Tip:**  
You can use #81385 planet o-ring between the planet gears and the diff shims as a tuning option. Do not install 3.3x1.5mm planet o-ring for kit setup.



**:: Differential Build (Center) - Bag 1.1, 1.2 - Step 7**

**#6588 black grease**

**81385 Outdrive O-Ring 5.8x1.9mm**

**81380 Pin 2.5x12mm**

**81389 B3.1e Plastic Spur Gear, 46T**

**91564 8x16x5 Bearing**

**81381 Diff Shim 6x8x0.20mm**

**#6588 black grease**

**81012 17mm Outdrive, Center Diff**

**81380 Diff Sun Gear, 20T**

Align pin with groove in sun gear

**:: Differential Build (Center) - Bag 1.1, 1.2 - Step 8**

**81384 Diff Gasket**

**#6588 black grease**

**89208 x4 3x14mm FHCS**

**Diff Fluid**

**Center Diff Fluid: 5,000cst #5453**

**Racer's Tip:**  
Use black grease (#6588) to coat the diff gasket before installation!

**Racer's Tip:**  
Fill diff above the cross pins, below the planet gears as shown.

**:: Shocks Build - Bag 2.1 - Step 1**

**81200 Shock Piston (8x1.2 tapered)**

**89215 2.5mm Shock Piston Locknut**

**89278 x2 2.6x6mm Washer**

**81170 TiN Shock Shaft, 3.5x30.5mm (Front)**

**81173 TiN Shock Shaft, 3.5x42.5mm (Rear)**

**81160 Shock Body, 30.5mm (Front)**

**81161 Shock Body, 39.5mm (Rear)**

**81185 Shock Body O-Ring**

**81185 O-Ring Hat Bushing**

**81188 Shock Body Seal Retainer**

**81186 Shock O-Ring**

**81185 O-Ring Spacer**

Install pistons taper down

Set aside shock pins and M3x6mm set screws until shock installation

**:: Shocks Build - Bag 2.1 - Step 2**

**Racer's Tip:**  
Use green slime (#1105) to lube the o-rings before installation!

**81190 Shock Boots**

**81194 Shock Rod End and Ball**

**81452 RC8B3.2 Shock Cap**

**81453 Bladder, Stiff**

**81181 Shock Cap Insert**

**91492 2x4mm BHCS**

**91492 Gasket**

When installing the shock bladder, make sure it is correctly seated within the shock cap as shown.

**:: Shocks Build - Bag 2.1 - Step 3**

**shock fluid**

Fill to top of shock body.

**Front Shock Fluid: 35wt #5429**

**Rear Shock Fluid: 30wt #5422**

Leave a gap when installing the shock cap.

Compress shock shaft fully. Let shock fluid bleed from bleeder screw hole, then tighten the screw.

For more rebound, do not compress shock shaft as far before tightening the shock cap.

**:: Shocks Build - Bag 2.1 - Step 4**

**shock fluid**

The springs come with a colored marking pre-installed for easy identification

**81221 Spring Collar O-Ring, 20mm**

**81221 Spring Collar, 20mm**

**81225 V2 Front Spring, Blue (5.50lb/in)**

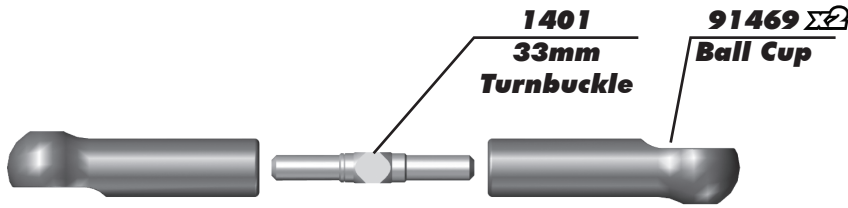
**81231 V2 Rear Spring, Blue (4.30lb/in)**

**81194 Spring Cup, 20mm**

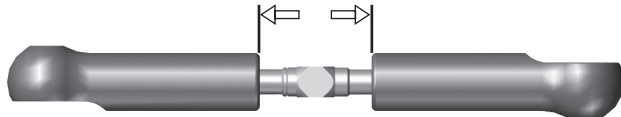


**:: Turnbuckles Build - Bag 3.1, 3.2 - Step 1**

**Steering Servo Turnbuckle**

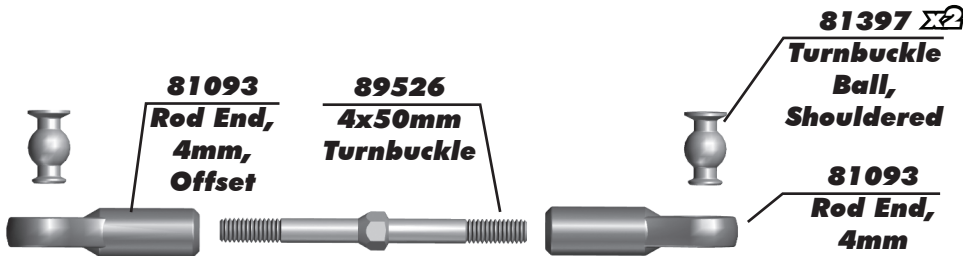


**11.50mm (0.45")**

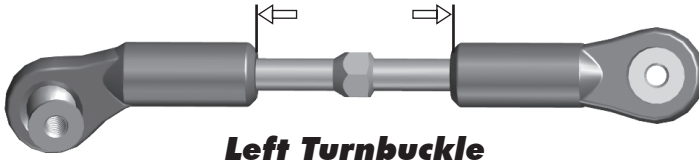


**:: Turnbuckles Build - Bag 3.1, 3.2 - Step 2**

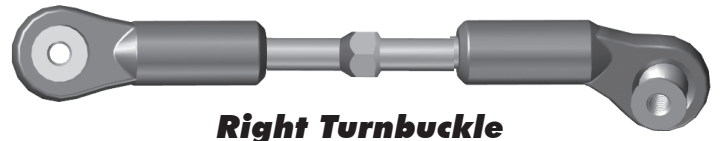
**Steering Turnbuckle**



**25.00mm (0.98")**



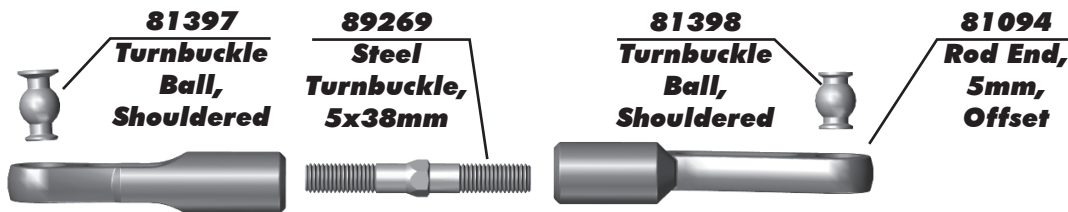
**Left Turnbuckle**



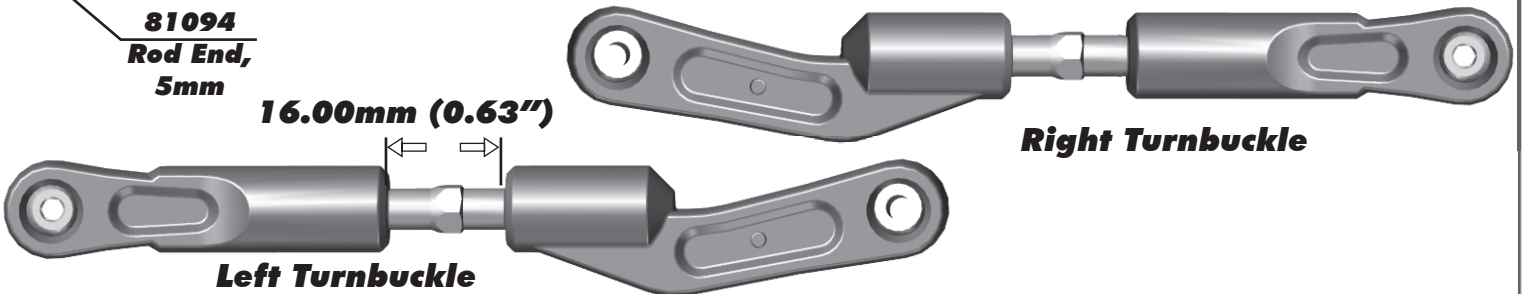
**Right Turnbuckle**

**:: Turnbuckles Build - Bag 3.1, 3.2 - Step 3**

**Rear Hub Turnbuckle**



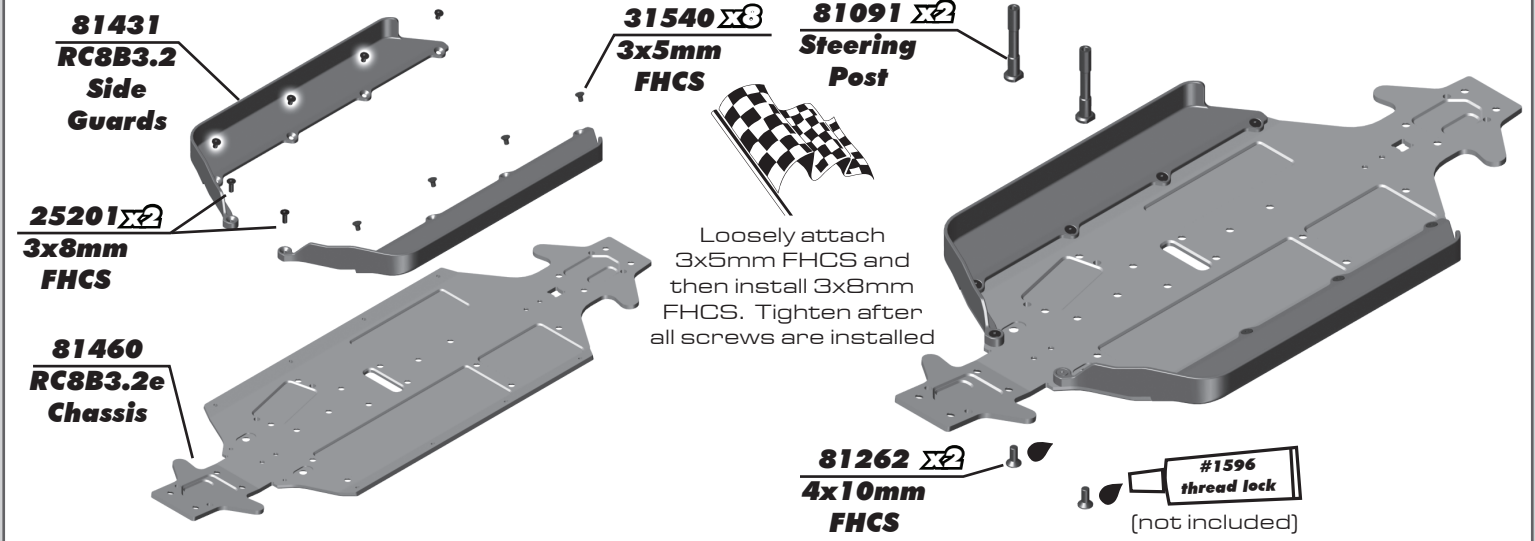
**16.00mm (0.63")**



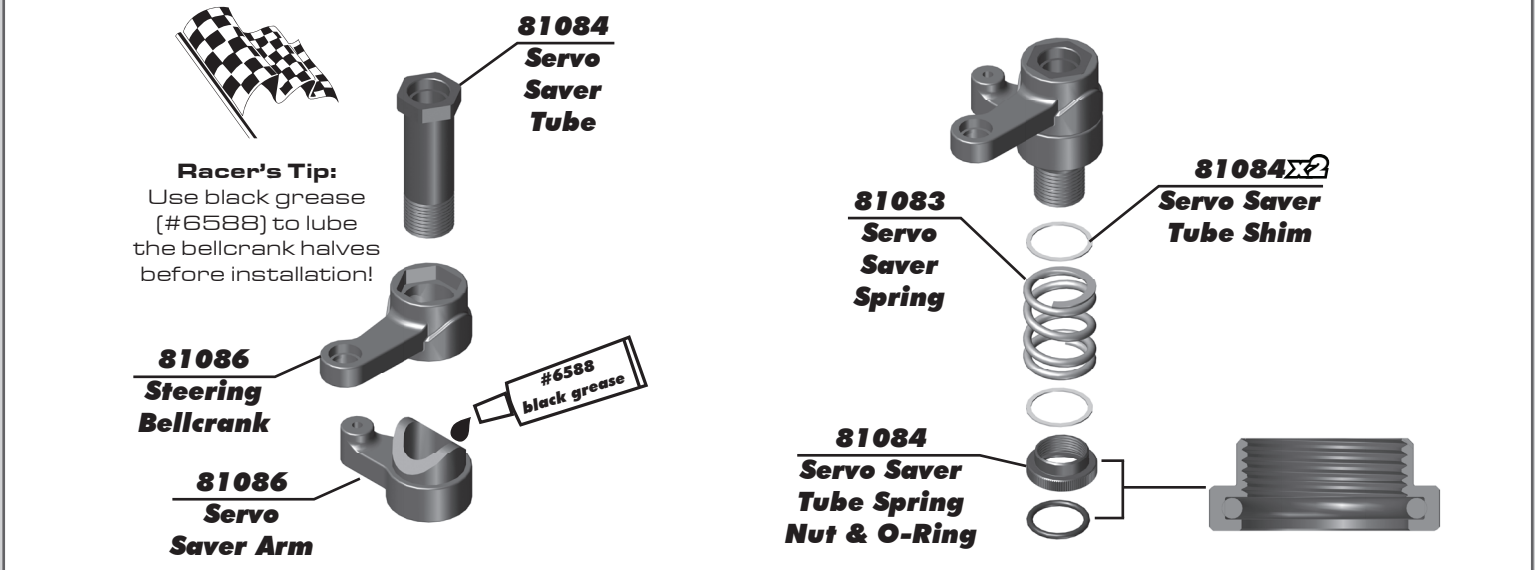
**Left Turnbuckle**

**Right Turnbuckle**

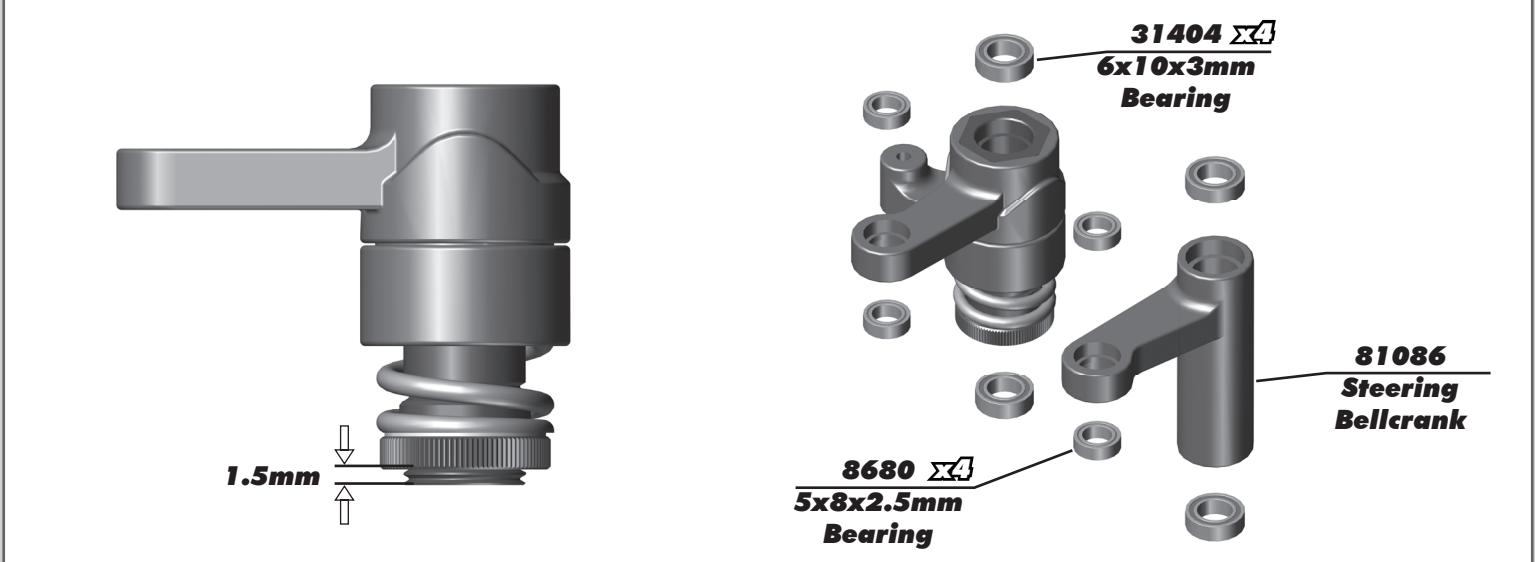
**:: Steering / Chassis Build - Bag 4.1, 4.2 - Step 1**



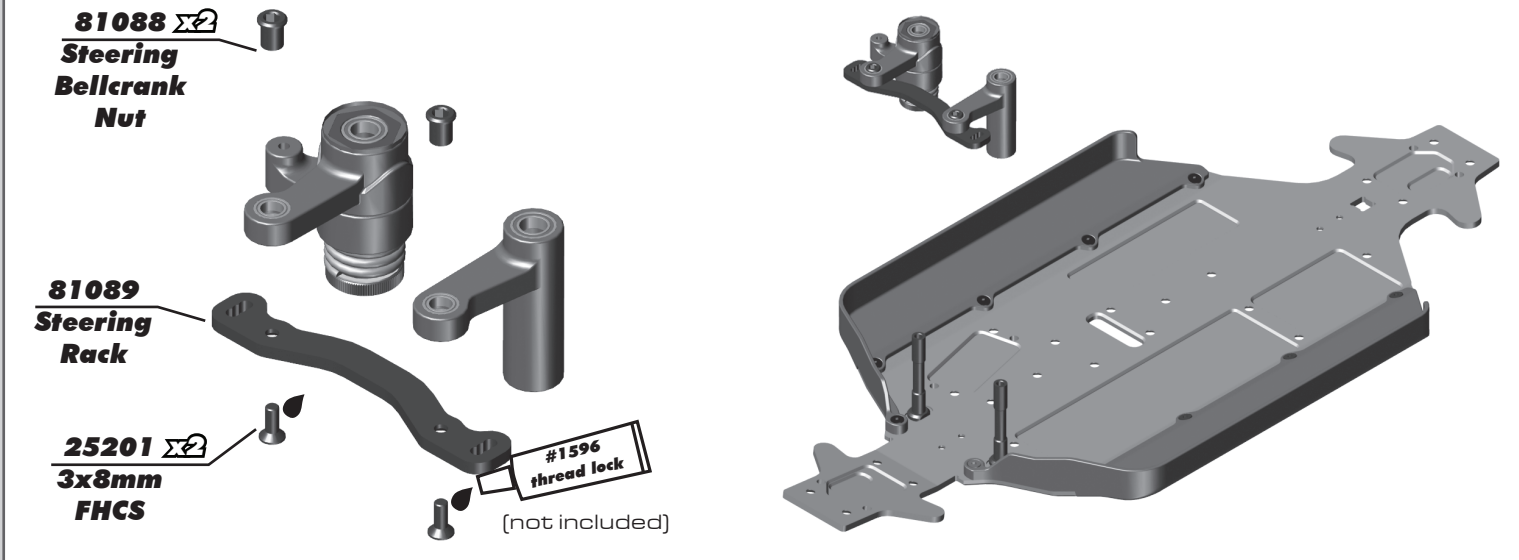
**:: Steering / Chassis Build - Bag 4.1, 4.2 - Step 2**



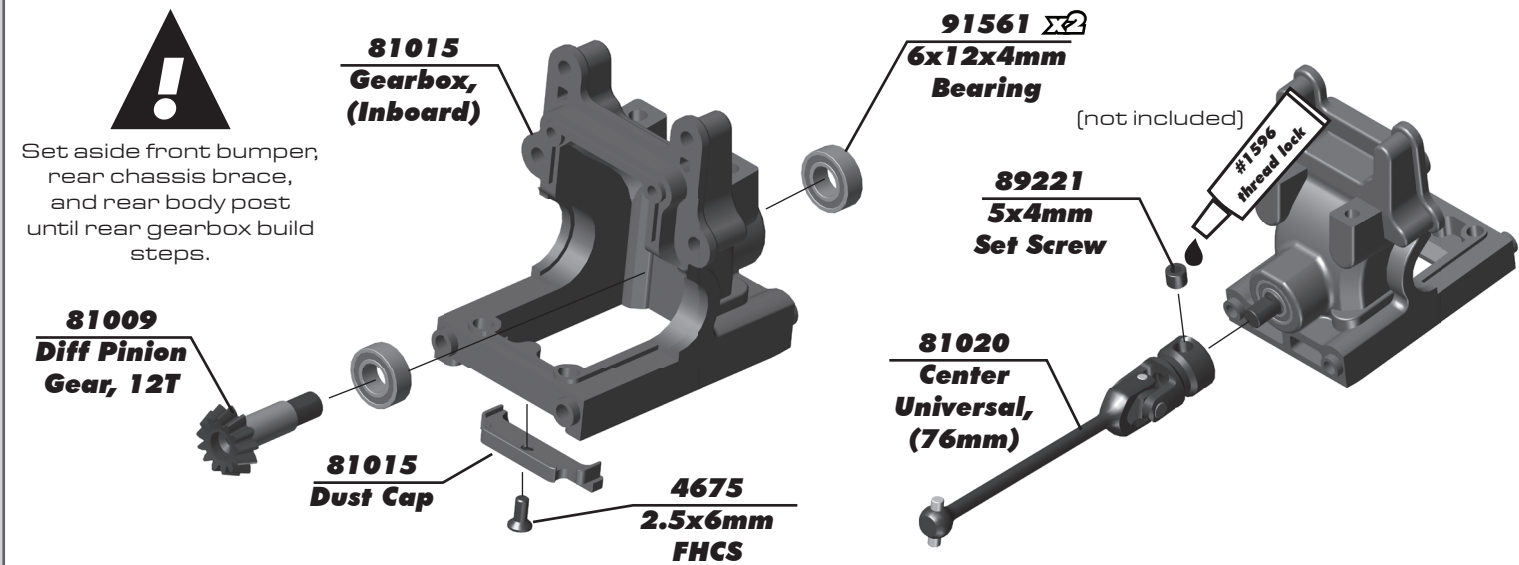
**:: Steering / Chassis Build - Bag 4.1, 4.2 - Step 3**



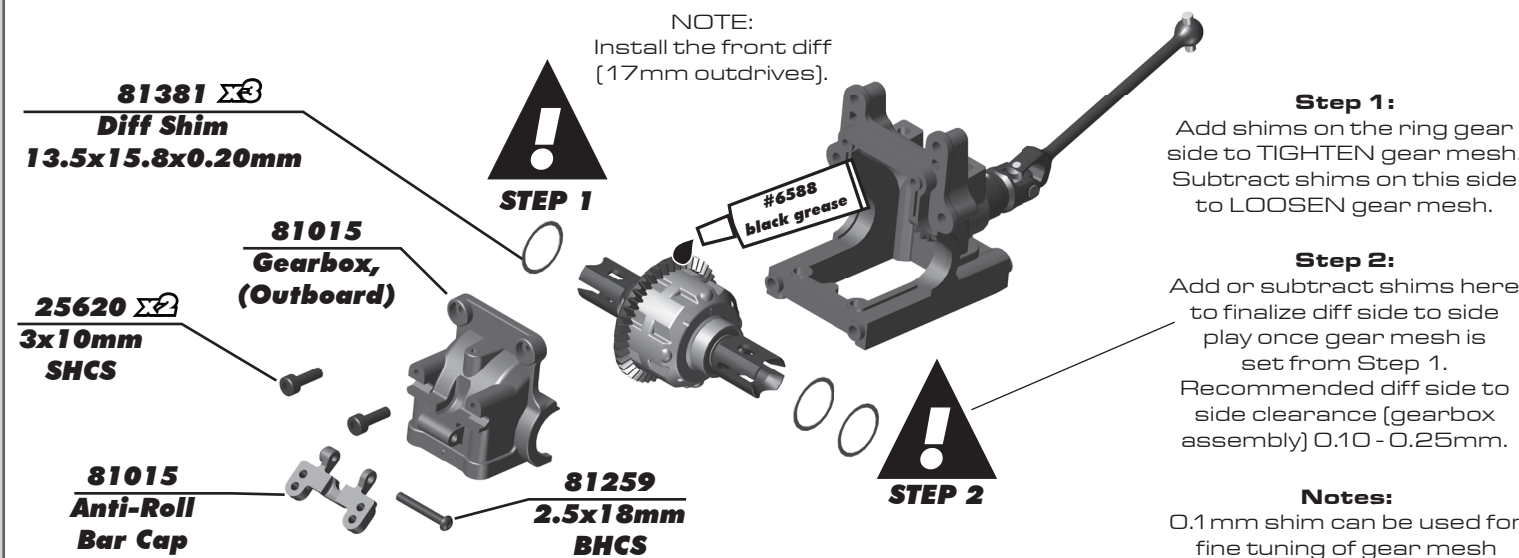
**:: Steering / Chassis Build - Bag 4.1, 4.2 - Step 4**



**:: Front Gearbox Build - Bag 5.1, 5.2, 5.3 - Step 1**



**:: Front Gearbox Build - Bag 5.1, 5.2, 5.3 - Step 2**



**:: Front Gearbox Build - Bag 5.1, 5.2, 5.3 - Step 3**

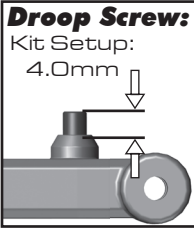
**Kit Setup:**



**81292**  
**RC8B3 Arm**  
**Mount B,**  
**HRC**

**81050**  $\Sigma 2$   
**Arm Mount**  
**Insert,**  
**Center**

**81260**  $\Sigma 2$   
**4x14mm**  
**BHCS**



**81438**  
**Front Arm,**  
**Lower**

**89317**  
**Drop**  
**Screw**

**81438**  
**Front Arm**  
**Insert,**  
**Lower**

**25201**  $\Sigma 5$   
**3x8mm**  
**FHCS**

**Build left and**  
**right side!**



Note that each arm is marked with a R for the Right arm or an L for the Left arm.

**:: Front Gearbox Build - Bag 5.1, 5.2, 5.3 - Step 4**

**Kit Setup:**



**81291**  
**RC8B3**  
**Arm Mount**  
**A, HRC**

**81260**  $\Sigma 2$   
**4x14mm**  
**BHCS**

**81446**  $\Sigma 2$   
**Suspension**  
**Arm Shim**

**81060**  $\Sigma 2$   
**Hinge**  
**Pin**

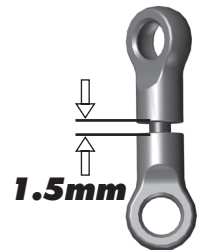
**81050**  $\Sigma 2$   
**Arm Mount**  
**Insert, Center**

**81150**  $\Sigma 2$   
**Anti-Roll**  
**Bar Rod**  
**End**

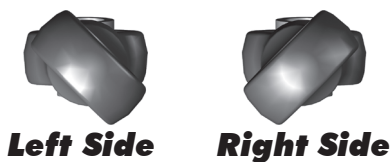
**81258**  
**3x12mm**  
**Set Screw**

**81150**  
**Rod End**  
**Ball**

**81150**  
**Anti-Roll**  
**Bar Pivot**



**:: Front Gearbox Build - Bag 5.1, 5.2, 5.3 - Step 5**

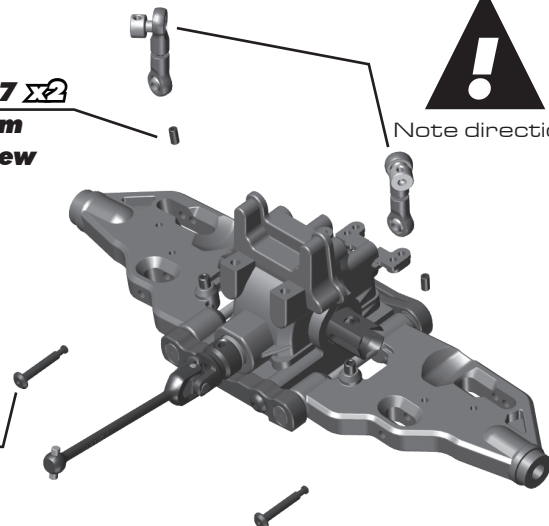


**Anti-Roll Bar Pivots:**  
Offset the anti-roll bar rod ends (approximately 45 degrees).

**81257**  $\Sigma 2$   
**3x6mm**  
**Set Screw**



**81197**  $\Sigma 2$   
**Shock**  
**Pin**



**:: Front Gearbox Build - Bag 5.1, 5.2, 5.3 - Step 6**

**!**

Center the anti-roll bar collet on the anti-roll bar, then tighten the 3x3mm set screw.

**!**

Front anti-roll bar gap: 2.0mm

**81130**  
**(Front) Anti-Roll Bar, 2.3mm**

**81150**  
**Anti-Roll Bar Collet**

**25225**  
**3x3mm Set Screw**

**81130**  
**(Front) Anti-Roll Bar, 2.3mm**

**81150**  
**Anti-Roll Bar Collet**

**25225**  
**3x3mm Set Screw**

**:: Front Gearbox Build - Bag 5.1, 5.2, 5.3 - Step 7**

**!**

Tighten 3x6mm set screws just enough to still allow the anti-roll bar to move freely.

**!**

Tighten 3x6mm set screws just enough to still allow the anti-roll bar to move freely.

**25225**  $\Sigma 2$   
**3x3mm Set Screw**

**31521**  $\Sigma 2$   
**2.5x8mm BHCS**

**81257**  $\Sigma 2$   
**3x6mm Set Screw**

**89214**  $\Sigma 2$   
**4x12mm FHCS**

**89216**  
**M4 Locknut**

**25201**  
**3x8mm FHCS**

**81032**  
**Chassis Brace, Front**

**81447**  
**Body Post, Front**

**81030**  
**Top Plate**

**81032**  
**Chassis Brace, Front**

**:: Front Gearbox Build - Bag 5.1, 5.2, 5.3 - Step 8**

**Kit Setup:**

**81049**  
**Upper Link Mount**

**25201**  $\Sigma 2$   
**3x8mm FHCS**

**89214**  $\Sigma 2$   
**4x12mm FHCS**

**89225**  $\Sigma 2$   
**3x24mm SHCS**

**81196**  $\Sigma 2$   
**Shock Bushing**

**81026**  
**Shock Tower, Front**

**81050**  $\Sigma 2$   
**Arm Mount Insert, Center**

**81050**  $\Sigma 2$   
**Arm Mount Insert, Center**

**:: Front Gearbox Build - Bag 5.1, 5.2, 5.3 - Step 9**

**Build left and right side!**

**25201**  $\Sigma 5$   
**3x8mm FHCS**

**81442**  
**Front Arm Insert, Upper**

**81442**  
**Front Arm, Upper**

**89214**  $\Sigma 4$   
**4x12mm FHCS**

**81446**  
**Caster Clip, 0.9mm**

**81446**  
**Caster Clip, 2.0mm**

**81060**  
**Hinge Pin, Front Upper Short**

**81446**  
**Caster Clip, 1.0mm**

Use included extra clips to finish shimming upper arm. Start with 1x2.0mm and 1x1.0mm clip

Note that each arm is marked with a R for the Right arm or an L for the Left arm.

**:: Steering Blocks Build - Bag 6.1, 6.2 - Step 1**

**Build left and right side!**

**81328**  
**CVA Coupler**

**81394**  
**CVA Drive Shaft (94mm)**

**81328**  
**CVA Coupler Pin**

**91566**  
**15x21x4mm Bearing**

**81326**  
**CVA Axle, Steel**

**81065**  
**Steering Block**

**25225**  
**3x3mm Set Screw**

**81079**  
**Wheel Hex, +1mm Wide**

**91565**  
**8x16x5mm Bearing, Flanged**

**89096**  
**Wheel Hex Pin**  
(not included)

**#6588**  
**black grease**

**#1596**  
**thread lock**

**89221**  
**5x4mm Set Screw**

**:: Steering Blocks Build - Bag 6.1, 6.2 - Step 2**

**Build left and right side!**

**81067**  $\Sigma 2$   
**Pillow Ball, Steel**

**25202**  $\Sigma 2$   
**3x10mm FHCS**

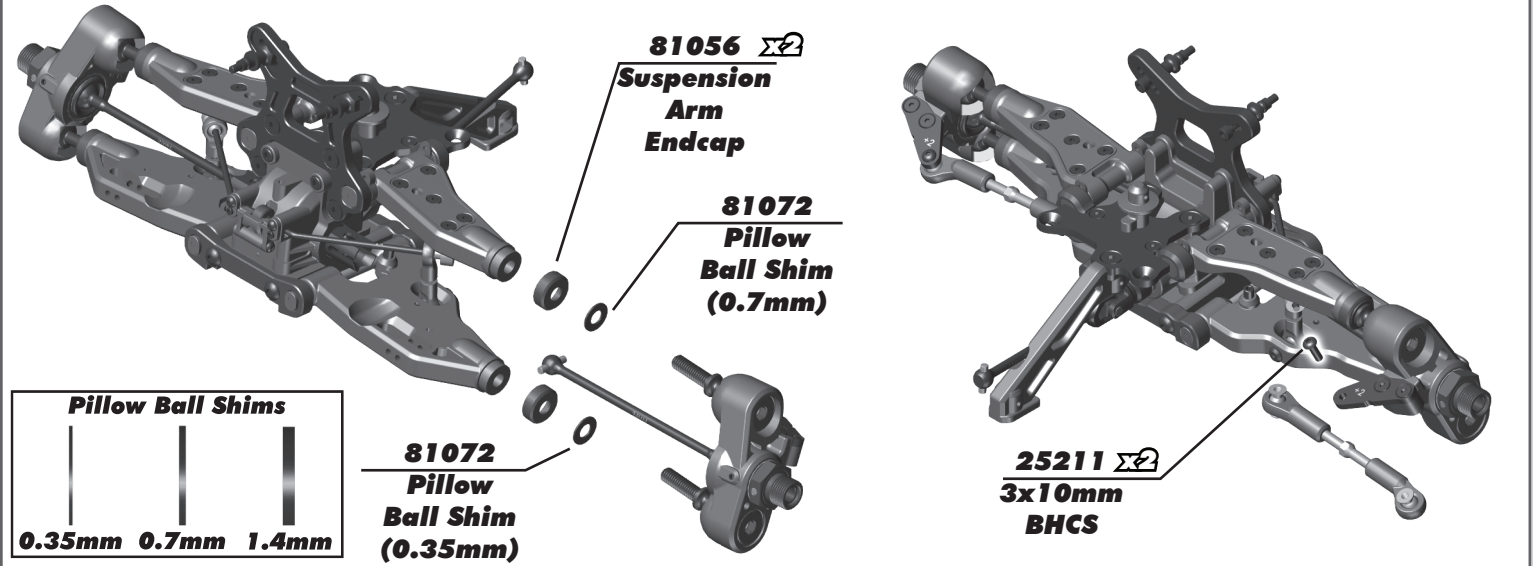
**81063**  
**Steering Block Arm +2 deg**

**81070**  $\Sigma 2$   
**Pillow Ball Nut, Aluminum**

**81065**  $\Sigma 2$   
**Pillow Ball Cap**

Tighten pillow ball nut until pillow ball begins to bind, then loosen until pillow ball moves freely.

**:: Steering Blocks Build - Bag 6.1, 6.2 - Step 3**



**81056**  $\Sigma 2$   
Suspension Arm Endcap

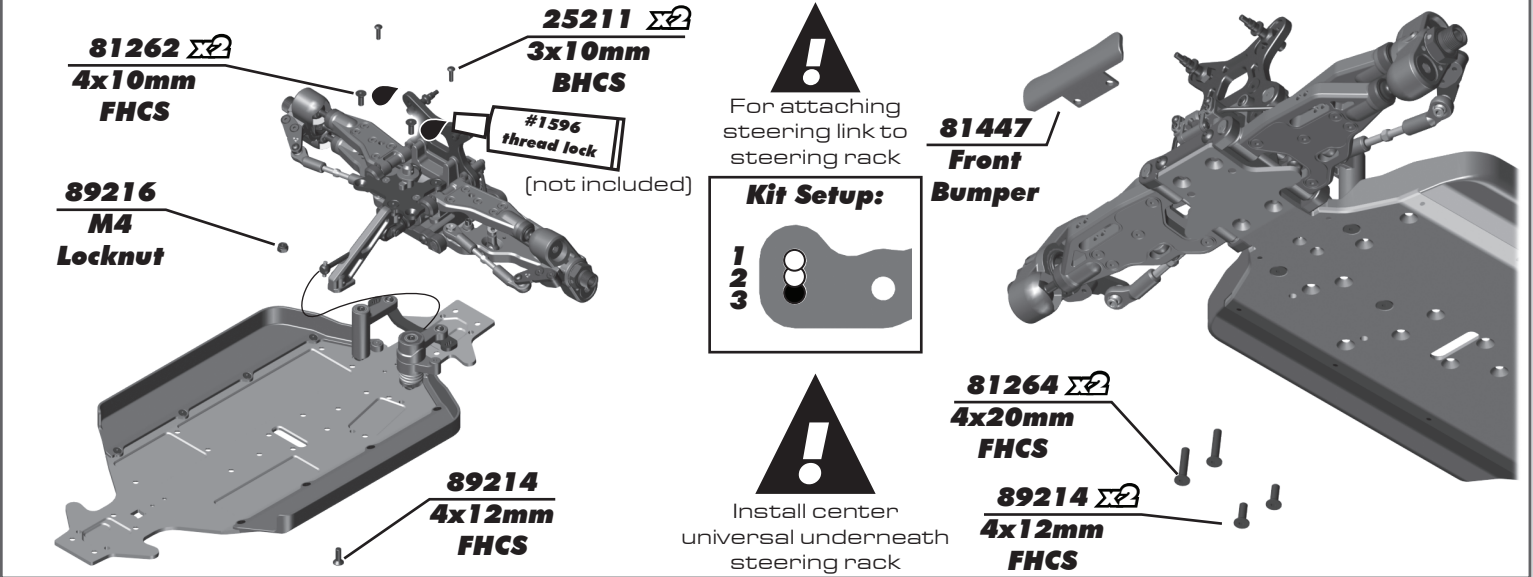
**81072**  
Pillow Ball Shim (0.7mm)

**81072**  
Pillow Ball Shim (0.35mm)

**25211**  $\Sigma 2$   
3x10mm BHCS

Pillow Ball Shims		
0.35mm	0.7mm	1.4mm

**:: Steering Blocks Build - Bag 6.1, 6.2 - Step 4**



**81262**  $\Sigma 2$   
4x10mm FHCS

**89216**  
M4 Locknut

**89214**  
4x12mm FHCS

**25211**  $\Sigma 2$   
3x10mm BHCS

#1596 thread lock (not included)

**81447**  
Front Bumper

**81264**  $\Sigma 2$   
4x20mm FHCS

**89214**  $\Sigma 2$   
4x12mm FHCS

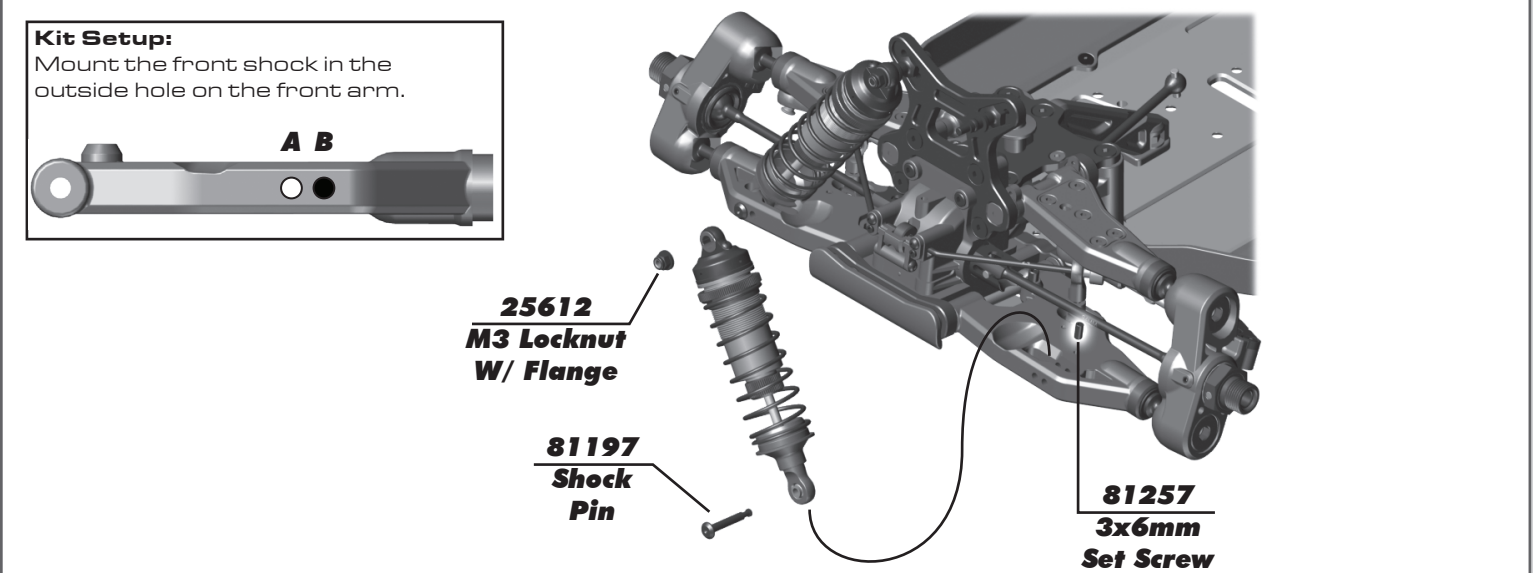
**Kit Setup:**

1  
2  
3

! For attaching steering link to steering rack

! Install center universal underneath steering rack

**:: Steering Blocks Build - Bag 6.1, 6.2 - Step 5**



**25612**  
M3 Locknut W/ Flange

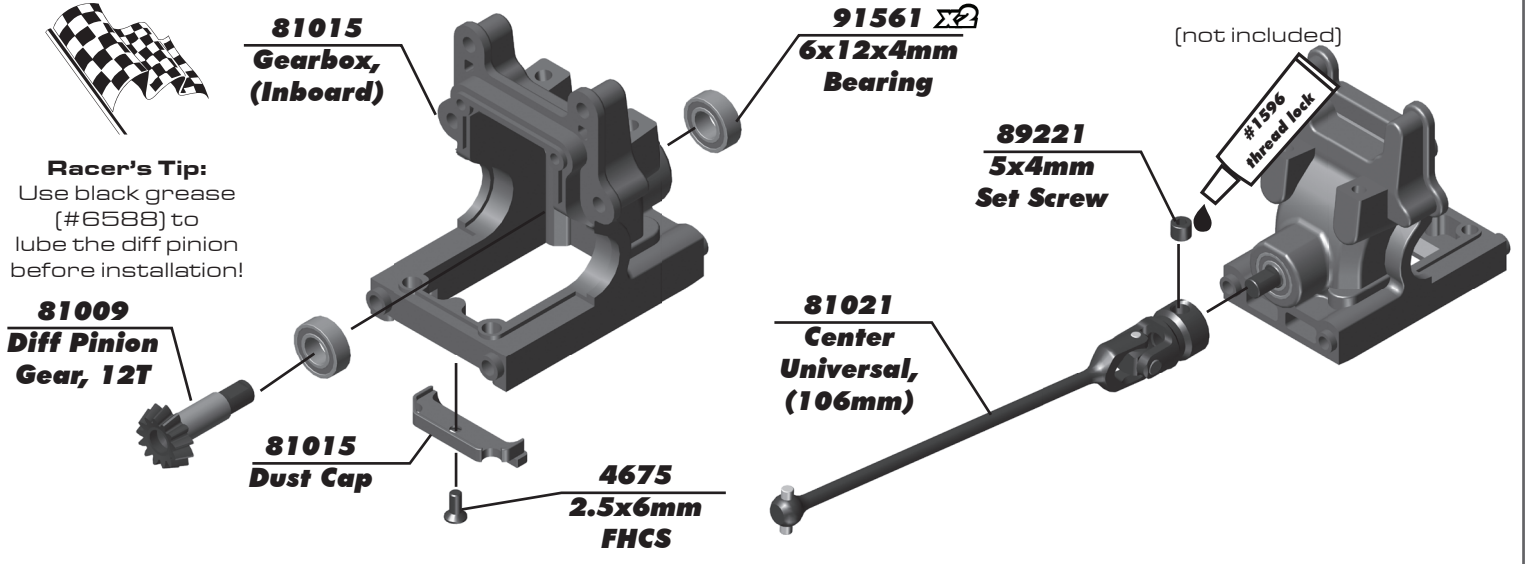
**81197**  
Shock Pin

**81257**  
3x6mm Set Screw

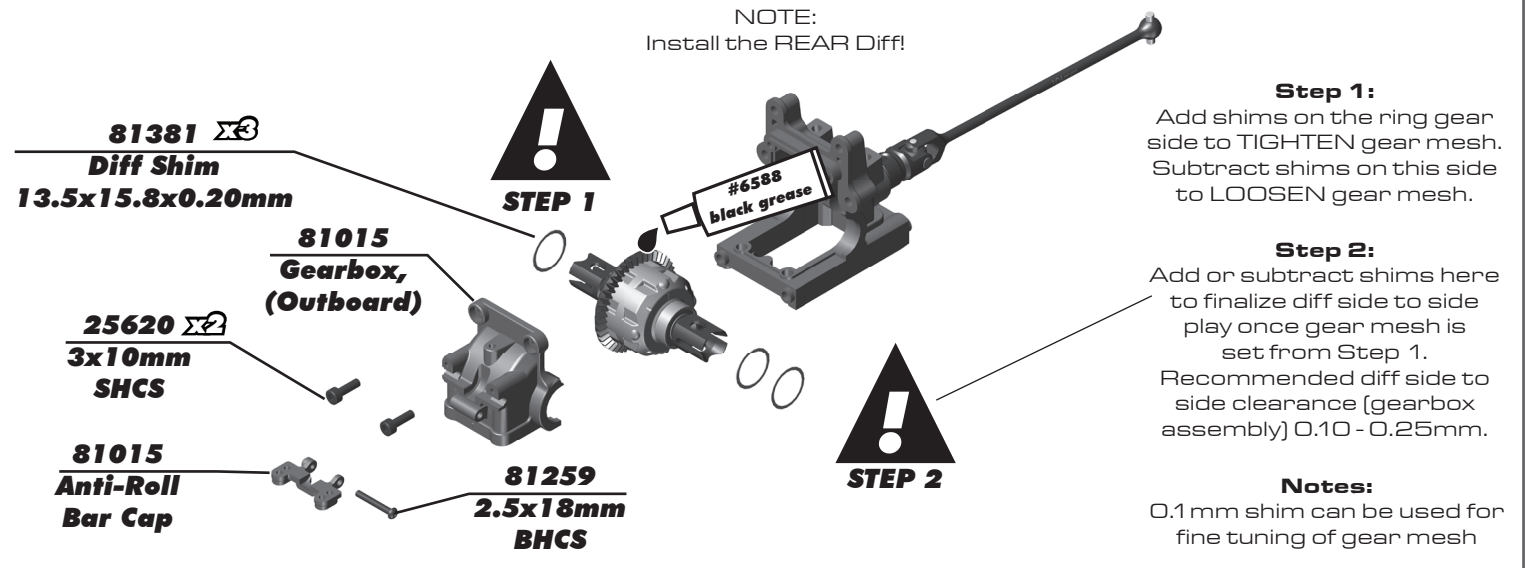
**Kit Setup:**  
Mount the front shock in the outside hole on the front arm.

A B

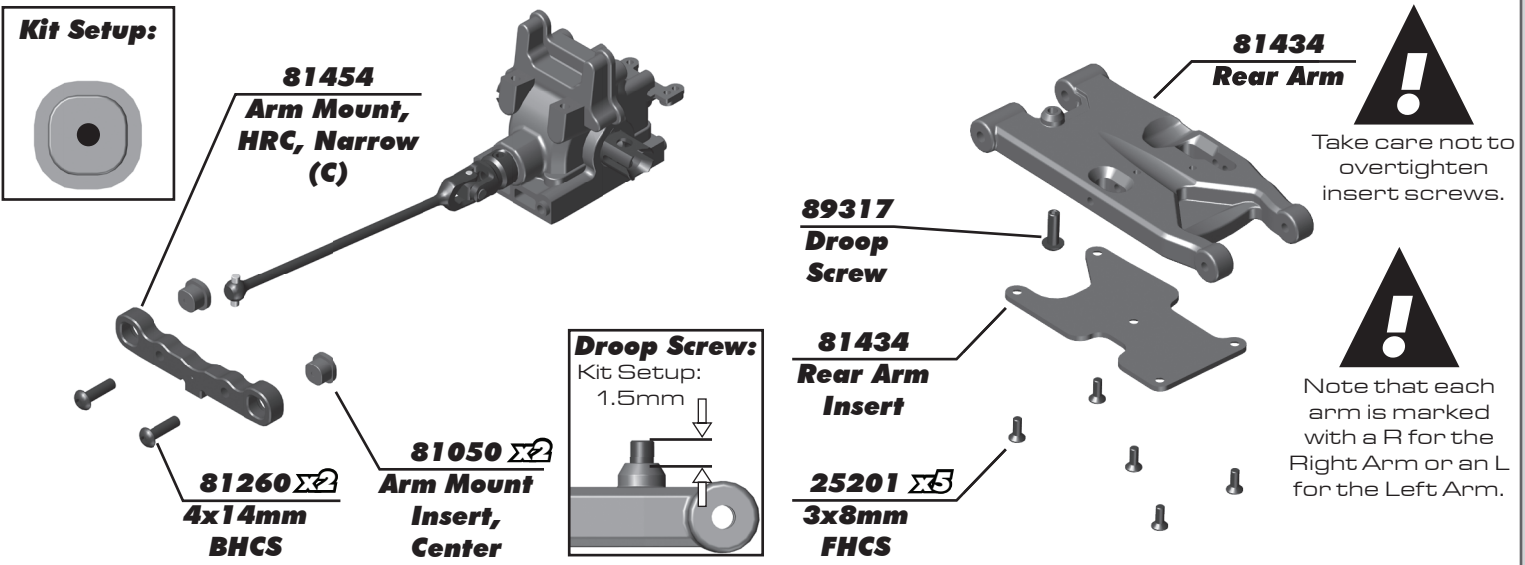
**:: Rear End Build - Bag 7.1, 7.2, 7.3 - Step 1**



**:: Rear End Build - Bag 7.1, 7.2, 7.3 - Step 2**



**:: Rear End Build - Bag 7.1, 7.2, 7.3 - Step 3**





**:: Rear End Build - Bag 7.1, 7.2, 7.3 - Step 4**

**Kit Setup:**

**81060**  $\Sigma 2$   
Hinge Pin

**81446**  
Suspension Arm Shim

**81260**  $\Sigma 2$   
4x14mm BHCS

**81455**  
Arm Mount, HRC, Narrow (D)

**81050**  $\Sigma 2$   
Arm Mount Insert, Center

**81150**  $\Sigma 2$   
Anti-Roll Bar Rod End

**81258**  
3x12mm Set Screw

**81150**  
Rod End Ball

**81150**  
Anti-Roll Bar Pivot

**0mm**

**:: Rear End Build - Bag 7.1, 7.2, 7.3 - Step 5**

Center the anti-roll bar collet on the anti-roll bar; then tighten the 3x3mm set screw.

**Left Side**      **Right Side**

**Anti-Roll Bar Pivots:**  
Offset the anti-roll bar rod ends (approximately 45 degrees).

**81257**  $\Sigma 2$   
3x6mm Set Screw

**81197**  $\Sigma 2$   
Shock Pin

(not included)

#1596 thread lock

**81140**  
(Rear) Anti-Roll Bar, 2.7mm

**81150**  
Anti-Roll Bar Collet

**25225**  
3x3mm Set Screw

**:: Rear End Build - Bag 7.1, 7.2, 7.3 - Step 6**

**25225**  $\Sigma 2$   
3x3mm Set Screw

#1596 thread lock (not included)

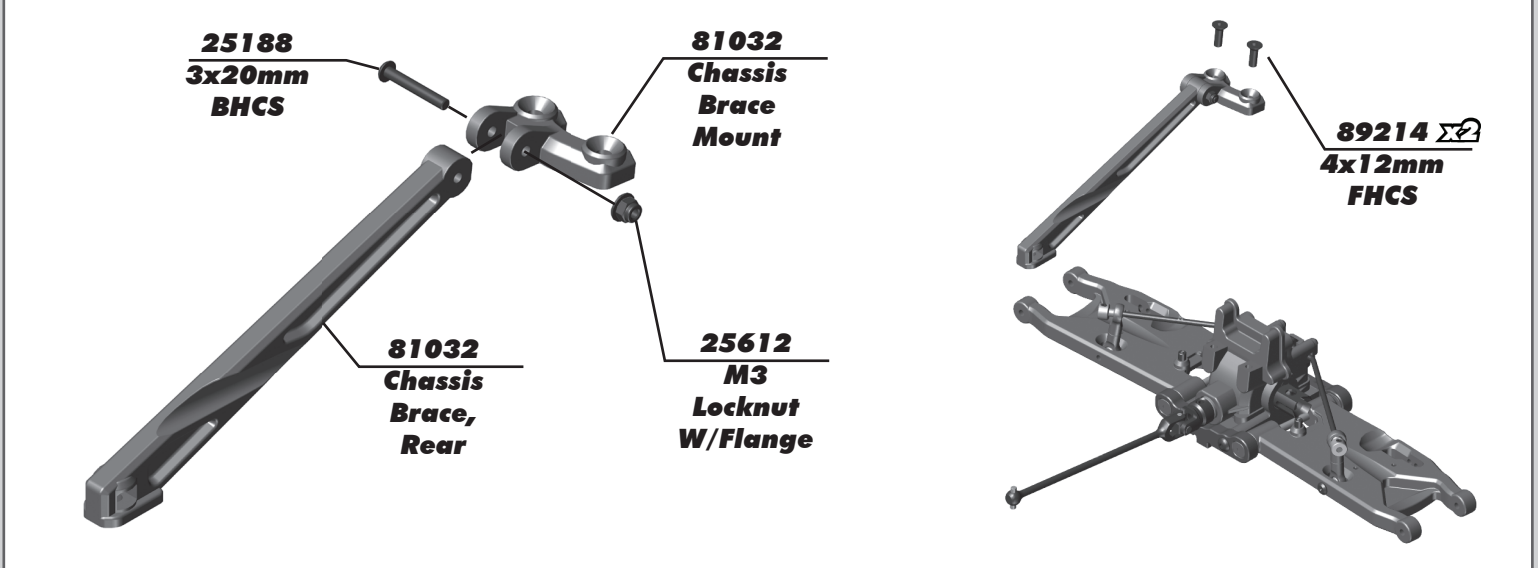
**31521**  $\Sigma 2$   
2.5x8mm BHCS

Rear Anti-Roll Bar Gap: 0mm

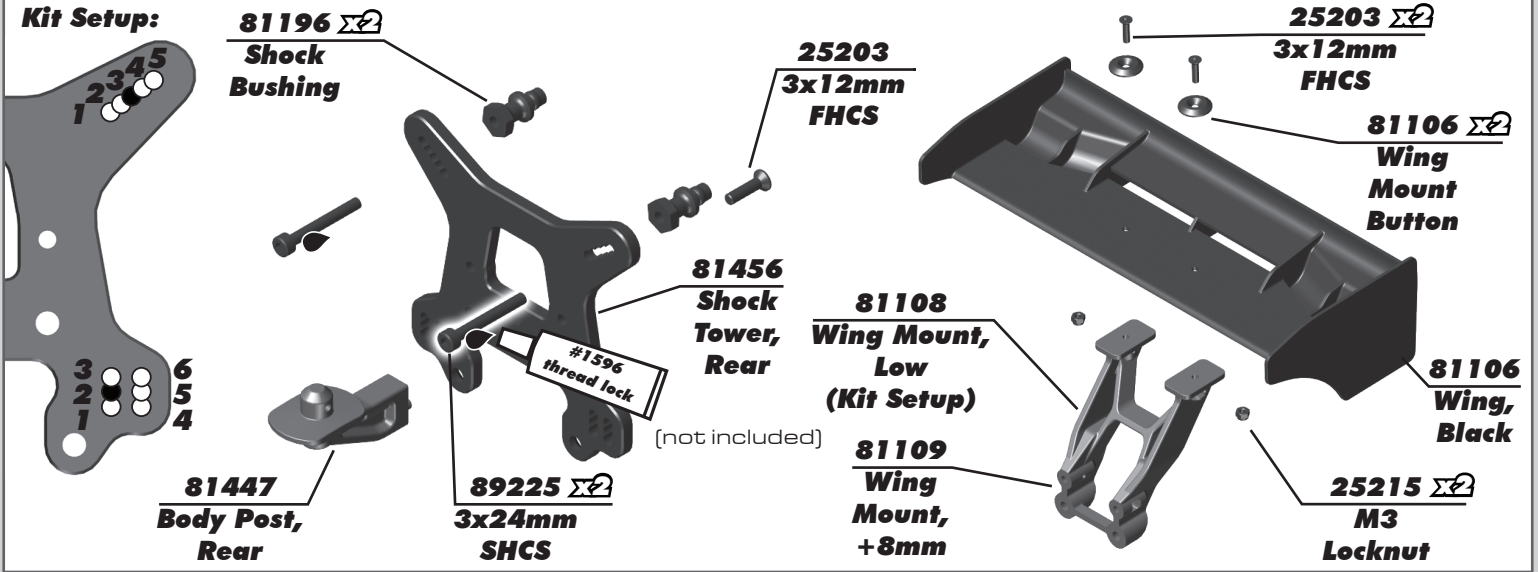
**81257**  $\Sigma 2$   
3x6mm Set Screw

Tighten 3x6mm set screws just enough to still allow the anti-roll bar to move freely.

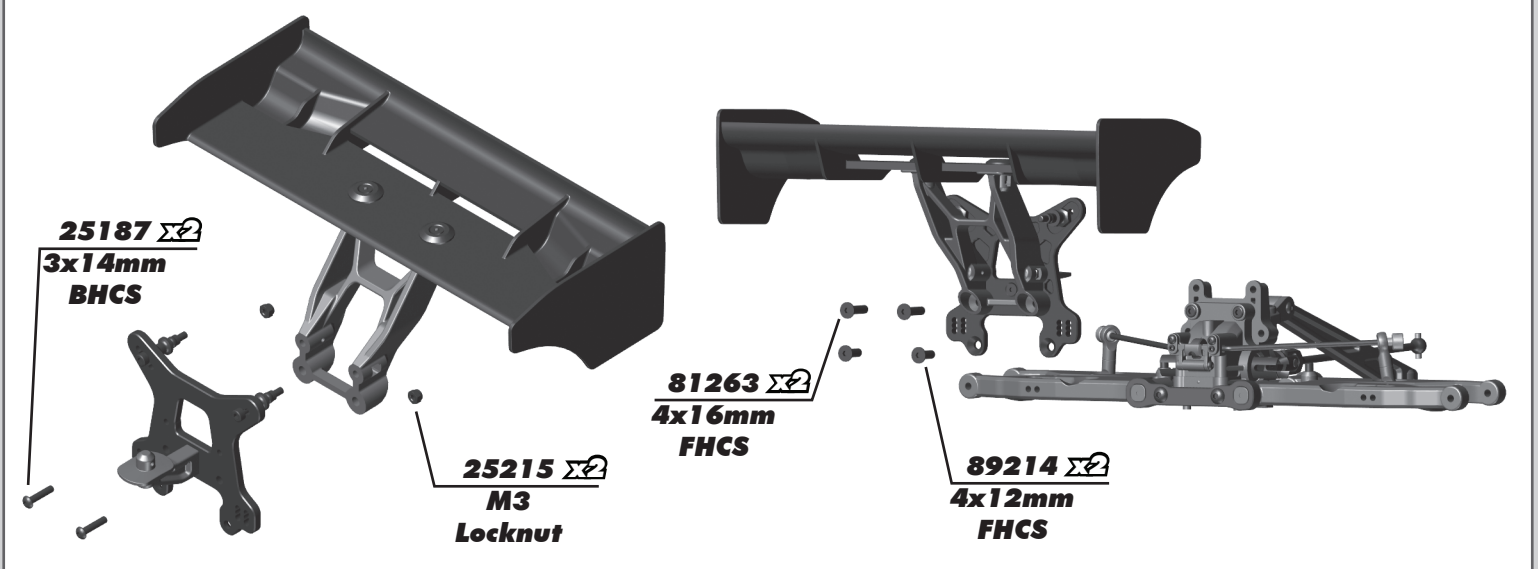
**:: Rear End Build - Bag 7.1, 7.2, 7.3 - Step 7**



**:: Rear End Build - Bag 7.1, 7.2, 7.3 - Step 8**

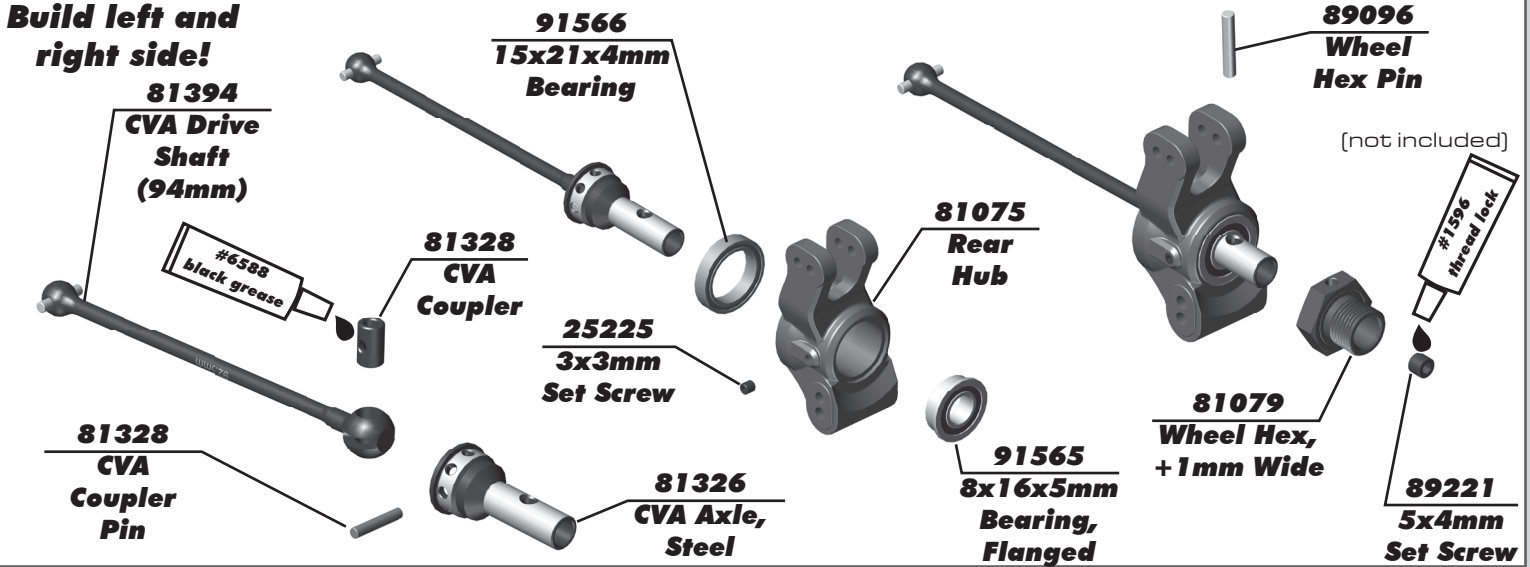


**:: Rear End Build - Bag 7.1, 7.2, 7.3 - Step 9**



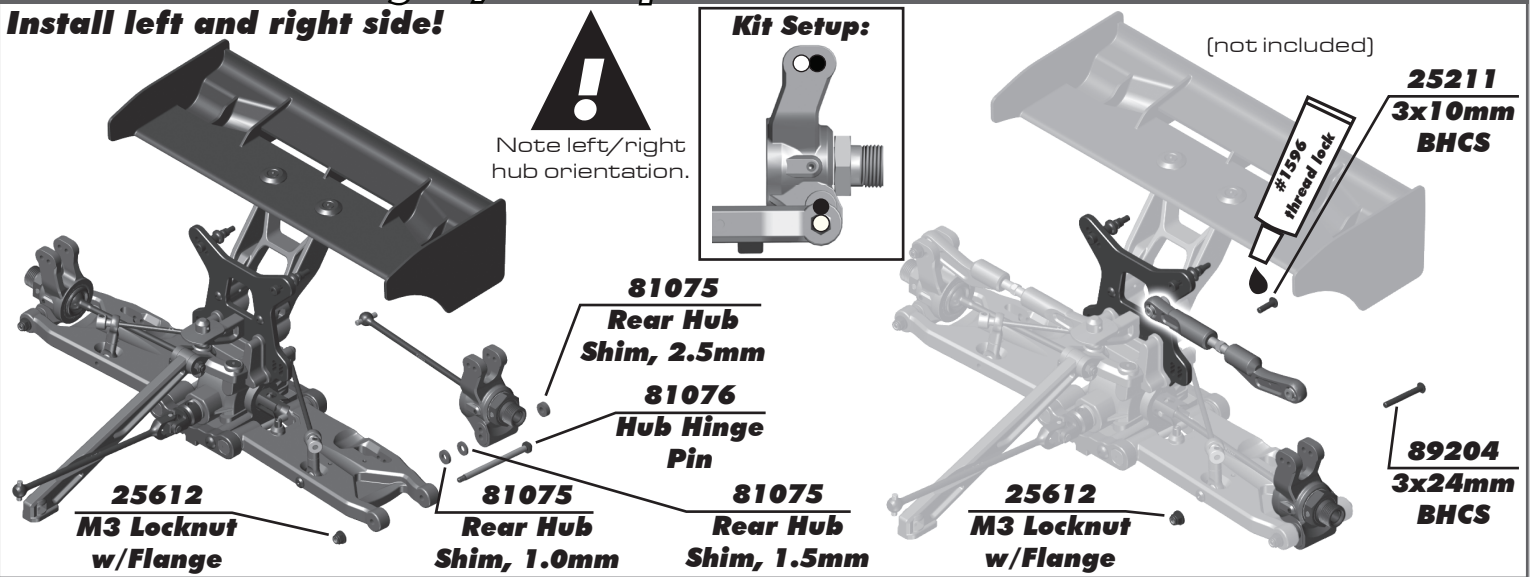
**:: Rear Hubs Build - Bag 8.1, 8.2 - Step 1**

**Build left and right side!**



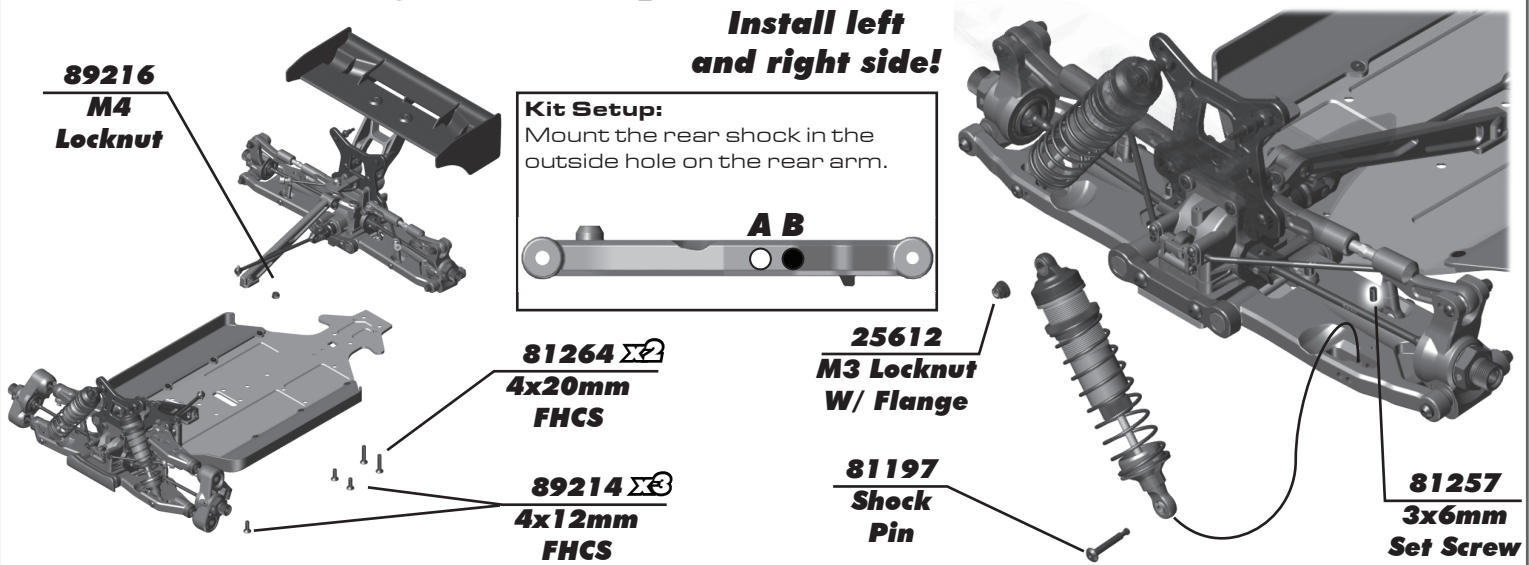
**:: Rear Hubs Build - Bag 8.1, 8.2 - Step 2**

**Install left and right side!**

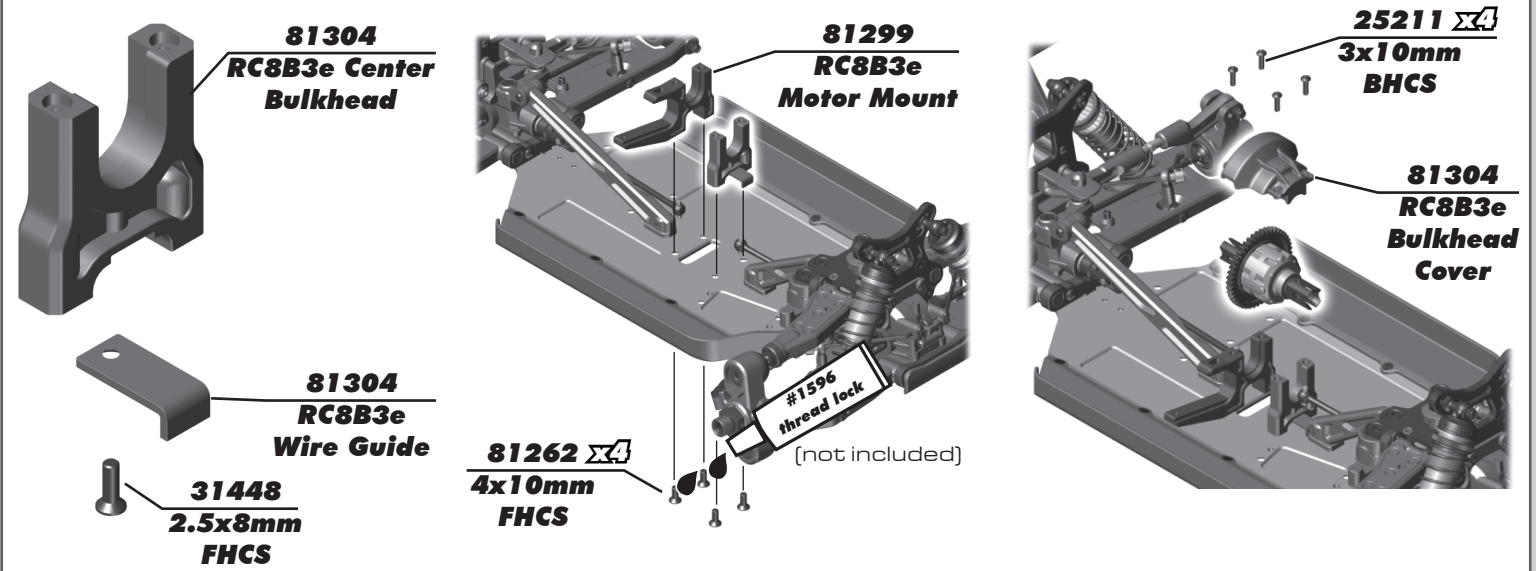


**:: Rear Hubs Build - Bag 8.1, 8.2 - Step 3**

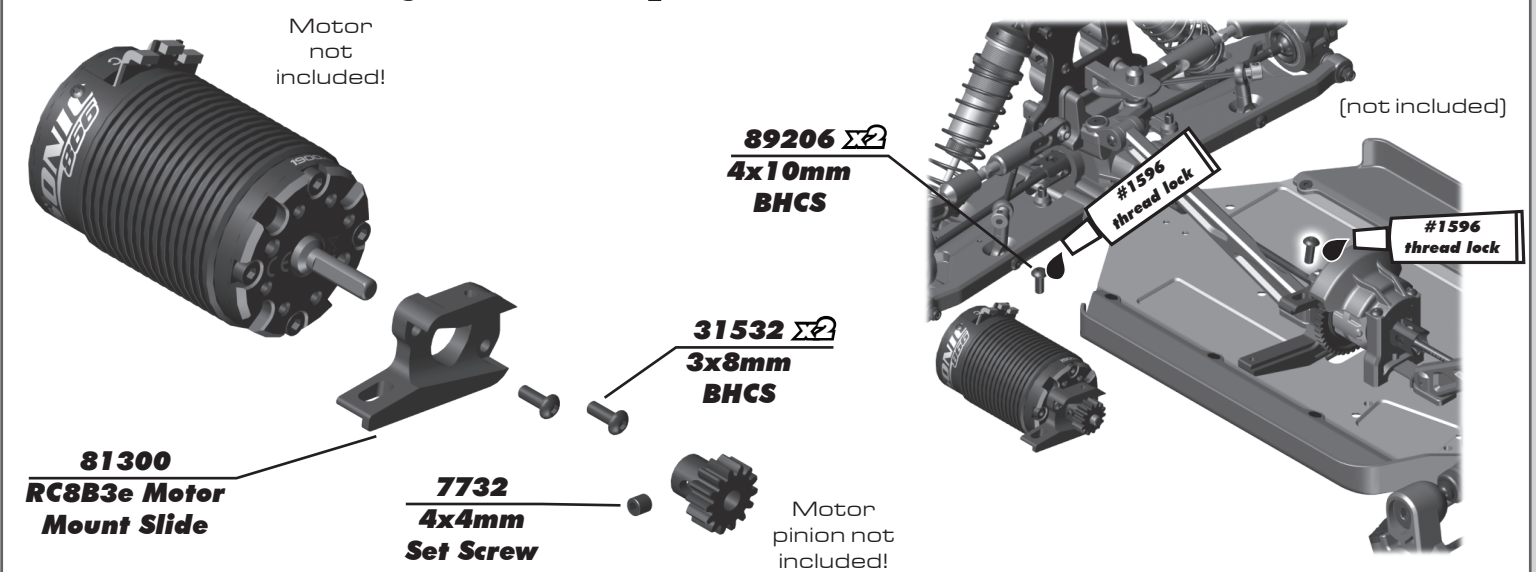
**Install left and right side!**



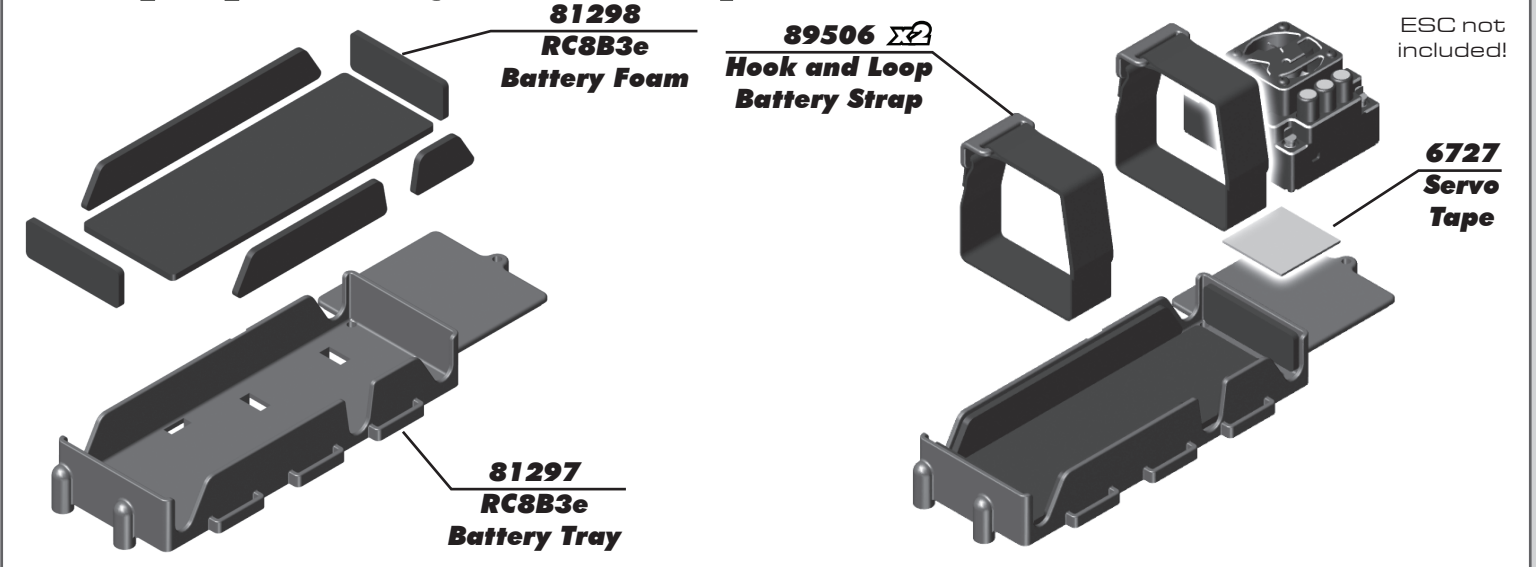
**:: Center Bulkhead - Bag 9.1, 9.2 - Step 1**



**:: Center Bulkhead - Bag 9.1, 9.2 - Step 2**



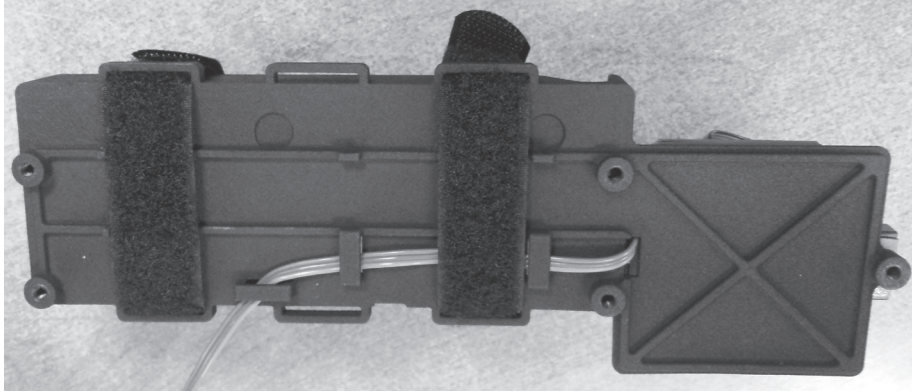
**:: Battery Tray Build - Bag 10.1, 10.2 - Step 1**



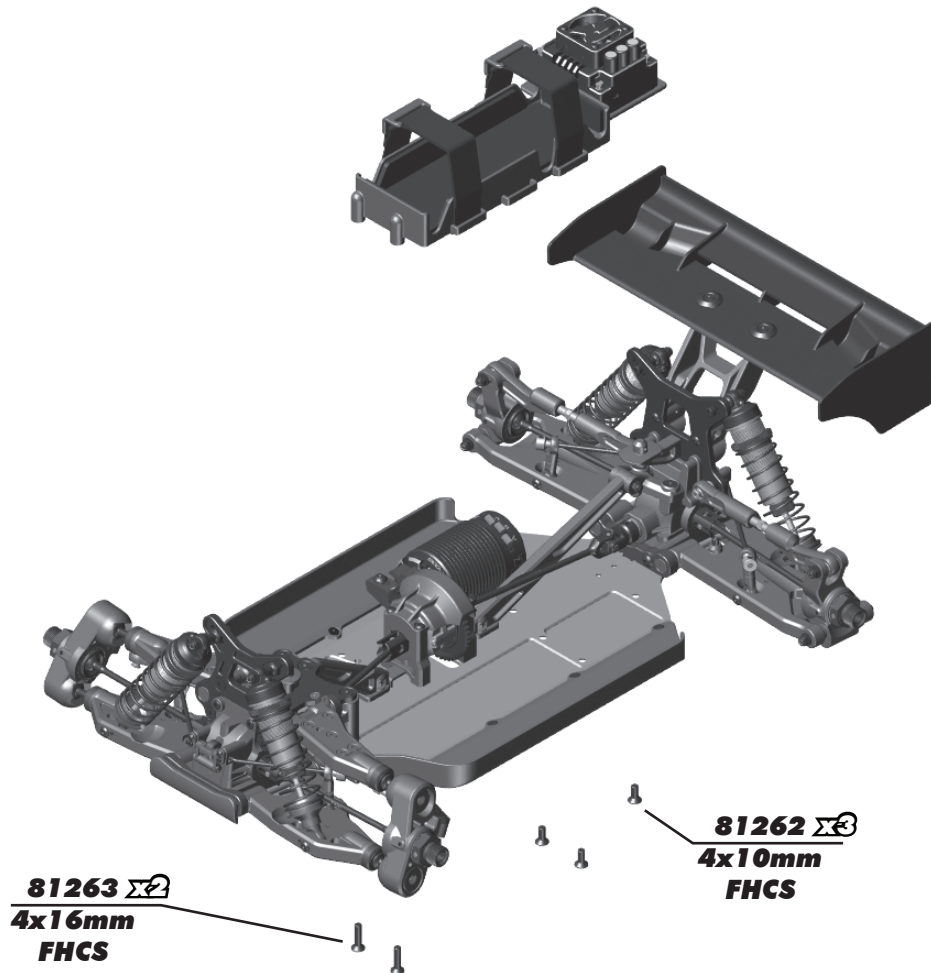
## :: Battery Tray Build - Bag 10.1, 10.2 - Step 2



Install the ESC wire as shown first.  
Then run the hook and loop straps  
as shown.



## :: Battery Tray Build - Bag 10.1, 10.2 - Step 3



**:: Receiver Box Build - Bag 11.1, 11.2 - Step 1**

**25187 x4**  
3x14mm  
BHCS

**89218 x4**  
3x8mm  
Washer

**71023**  
Grommet  
Plug

Servo not included!

When spacing your servos, make sure the servo does not touch the chassis when installed.

Transponder not included!

**25225**  
3x3mm  
Set Screw

Receiver not included!

**6338**  
Antenna  
Tube and  
Cap

**6727**  
Servo  
Tape

**71023**  
Receiver  
Box  
Grommet

**89023 x2**  
Servo  
Spacer

**81303**  
Receiver  
Box

**:: Receiver Box Build - Bag 11.1, 11.2 - Step 2**

**31448 x3**  
2.5x8mm  
FHCS

**81303**  
RC8B3e  
Receiver  
Box Lid

**81262 x2**  
4x10mm  
FHCS

**:: Receiver Box Build - Bag 11.1, 11.2 - Step 3**

Printed here  
A - Airtronics  
F - Futaba  
H - Hitec  
J - JR/KO

**81250**  
Servo Horn  
(Steering)  
and Cone  
Washer

**25215**  
M3  
Locknut

**25201**  
3x8mm  
FHCS

**91050**  
HD Ball  
Stud, 12mm

**81250**  
Servo Horn  
Insert

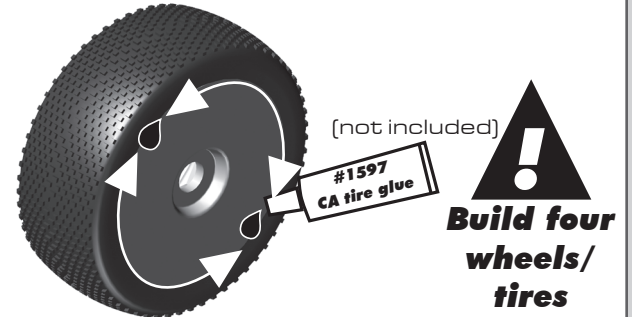
**31386**  
Shim,  
2mm

**81250**  
Servo Horn  
Large Ring

**91048**  
HD Ball  
Stud, 8mm

**31386**  
Shim,  
2mm

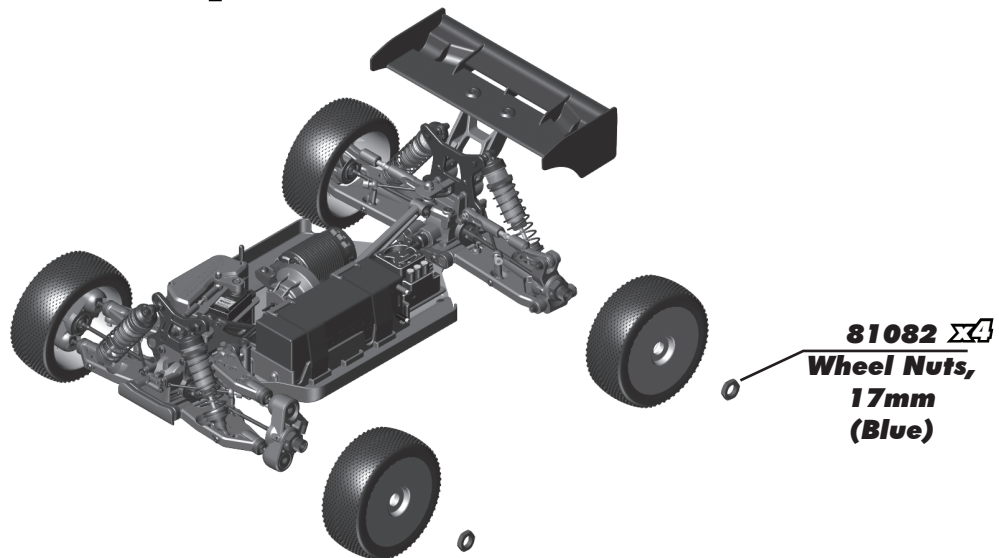
## :: Wheels / Tires / Body - Misc. - Step 1



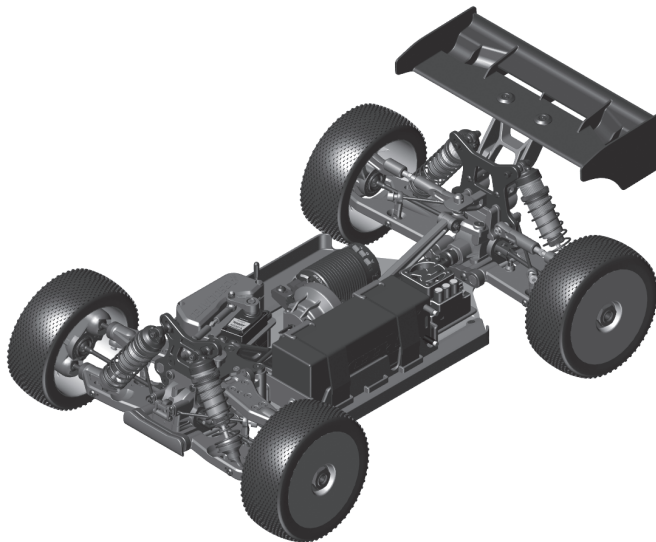
### Tires:

When gluing tires to wheels, use a fast-curing tire glue (CA) (AE # 1597). This is available at your local hobby shop. Make sure to clean the mounting surface of the tire and wheel with alcohol for best adhesion.

## :: Wheels / Tires / Body - Misc. - Step 2



## :: Wheels / Tires / Body - Misc. - Step 3



### Painting Tips:

Your kit comes with a clear polycarbonate body. You will need to prep the body before you can paint it. Wash the inside thoroughly with warm water and liquid detergent. Dry the body using a clean, soft, lint-free cloth. Install the window masks on the inside of the body. (R/C cars get painted from the inside). Using high quality masking tape, apply tape to the inside of the body to create a design. Spray (either rattle can or airbrush R/C specific paint) the paint to the inside of the body (preferably dark colors first, lighter colors last).

NOTE: use ONLY paint that is recommended for use with (polycarbonate) plastics. If you do not, you can destroy the polycarbonate body!!!

After painting, cut the body along the trim lines. Make sure to drill or use a body reamer to make the holes for the body mounts and antenna if required!

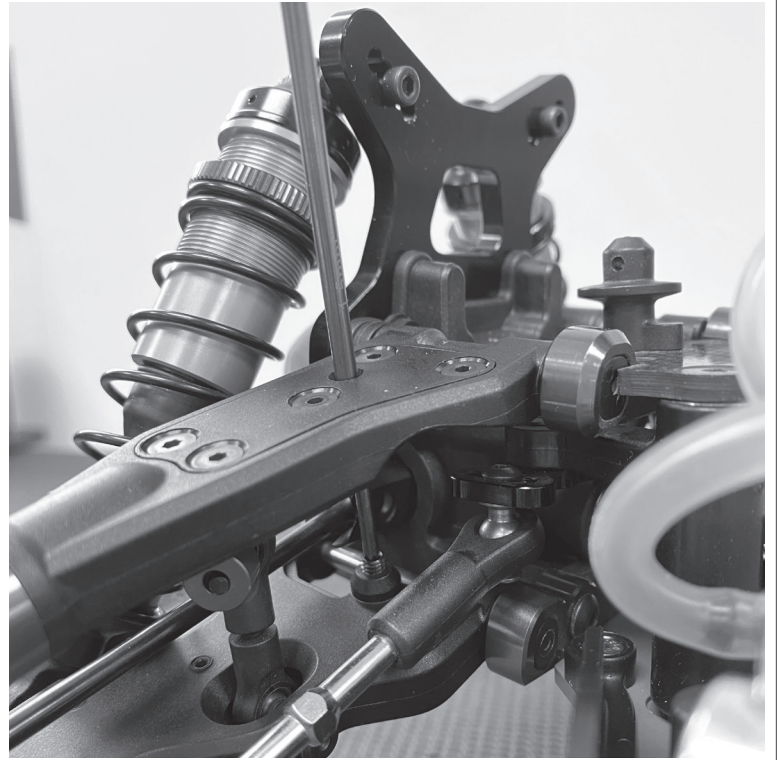
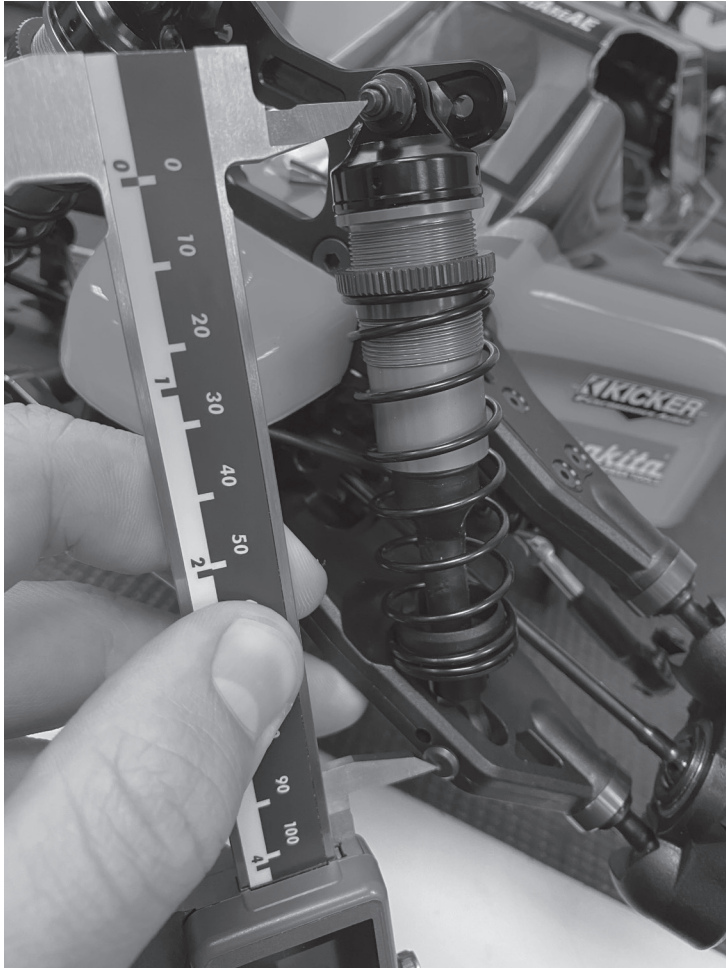
## :: Droop Settings

Set droop by measuring overall length of shock (from standoff to shock pin) while the chassis is elevated above your working surface. The shocks should be fully extended.

Kit setup for front droop is 105mm shock length, and 124mm shock length for the rear.

If the shock length is too long, adjust by turning the droop screws clockwise.

If the shock length is too short, adjust by turning the droop screws counter-clockwise.



**Front Droop:** Increasing front droop (loosen droop screws) will increase off-throttle steering. It also allows the front end to lift more, giving more rear grip and less front grip on-power. Remember to never loosen the screws beyond the FULL DROOP setting. Decreasing front droop (tighten droop screws) yields more on-power steering and quicker response at the expense of some stability in bumpy sections. It will also give less off-throttle steering.

**Rear Droop:** Increasing rear droop (loosen droop screws) will increase traction in bumpy sections, but will reduce high-speed stability. Remember to never loosen the screws beyond the FULL DROOP setting. Decreasing rear droop (tighten droop screws) will increase stability in high speed sections, but will reduce stability in bumpy sections.

### Setup Sheets:

To find different setups for your kit, visit our website, [www.rc10.com](http://www.rc10.com) and click on the "Setup Sheets" link, and then the link to your model. Our team of professional drivers help develop these setups at races worldwide. Additionally, most drivers have a "base" setup that they use as a starting point for most races. Try running some of our base setups or look for track conditions and tires that are similar to your local track and replicate that setup. Remember, each adjustment has a purpose, so copy everything from the setup sheet and then make adjustments based on the recommendations in here.



**:: Shocks**

81160	RC8B3 Shock Body, 30.5mm	2
81161	RC8B3 Shock Body, 39.5mm	2
81170	RC8B3 TiN Shock Shaft, 3x30.5mm	2
81173	RC8B3 TiN Shock Shaft, 3.5x42.5mm	2
81181	RC8B3 Shock Cap Insert	2
81185	RC8B3 Shock Rebuild Kit	2
81186	RC8B3 Shock O-Ring	8
81188	RC8B3 Shock Body Seal Retainer	2
81190	RC8B3 Shock Boots	4
81194	RC8B3 Shock Rod End & Spring Cup	4
81200	RC8B3 Shock Pistons (6x1.3 - KIT, 6x1.3 T, 8x1.2 T)	2 ea.
81221	Spring Collars, 20mm	2
81452	RC8B3.2 Shock Cap	2
81453	RC8B3 Shock Bladder, Stiff	2
81461	RC8B3.2 Shock Kit, Front	1
81462	RC8B3.2 Shock Kit, Rear	1
89215	M2.5mm Shock Piston Locknut	10
89278	Washer, 2.6x6mm	20
91492	12mm V2 Bleeder Screw / Gasket	2

**:: Shock Fluid**

5420	10 Weight Silicone Shock Fluid	2oz.
5421	20 Weight Silicone Shock Fluid	2oz.
5422	30 Weight Silicone Shock Fluid	2oz.
5423	40 Weight Silicone Shock Fluid	2oz.
5424	22.5 Weight Silicone Shock Fluid	2oz.
5425	80 Weight Silicone Shock Fluid	2oz.
5426	27.5 Weight Silicone Shock Fluid	2oz.
5427	15 Weight Silicone Shock Fluid	2oz.
5428	25 Weight Silicone Shock Fluid	2oz.
5429	35 Weight Silicone Shock Fluid	2oz.
5430	45 Weight Silicone Shock Fluid	2oz.
5431	55 Weight Silicone Shock Fluid	2oz.
5432	32.5 Weight Silicone Shock Fluid	2oz.
5433	37.5 Weight Silicone Shock Fluid	2oz.
5434	42.5 Weight Silicone Shock Fluid	2oz.
5435	50 Weight Silicone Shock Fluid	2oz.
5436	60 Weight Silicone Shock Fluid	2oz.
5437	70 Weight Silicone Shock Fluid	2oz.
5438	47.5 Weight Silicone Shock Fluid	2oz.



Front:  
81170  
Rear:  
81173



81190



81194

81194



81452



81453



Front:  
81160  
Rear:  
81161



81185



81185



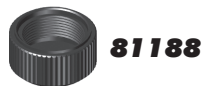
81185



81185



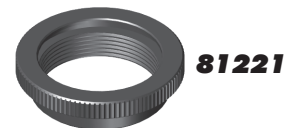
81185



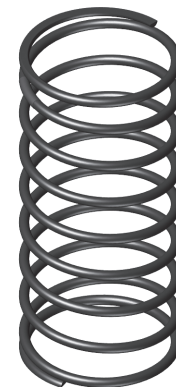
81188



81221



81221



Kit Front:  
81225  
Kit Rear:  
81231



81194

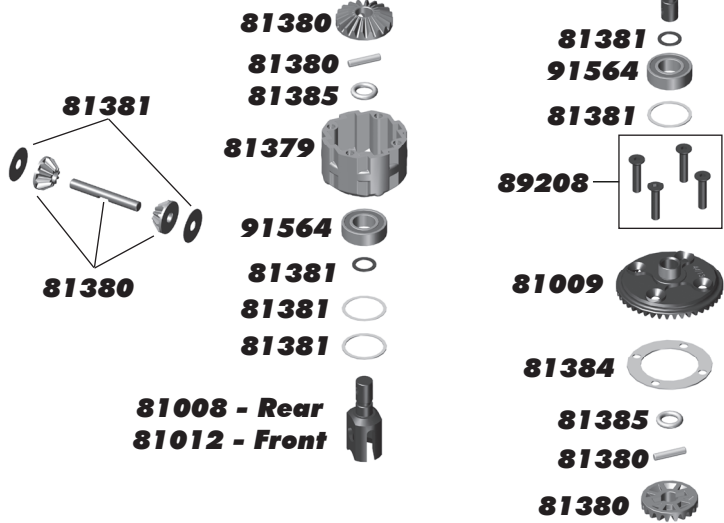
**:: Springs**

81222	Front Spring, V2, 4.9lb/in, Green	Pr.
81223	Front Spring, V2, 5.1lb/in, White	Pr.
81224	Front Spring, V2, 5.3lb/in, Gray	Pr.
81225	Front Spring, V2, 5.5lb/in, Blue - KIT	Pr.
81226	Front Spring, V2, 5.7lb/in, Yellow	Pr.
81229	Rear Spring, V2, 4.1lb/in, White	Pr.
81230	Rear Spring, V2, 4.2lb/in, Gray	Pr.
81231	Rear Spring, V2, 4.3lb/in, Blue - KIT	Pr.
81232	Rear Spring, V2, 4.4lb/in, Yellow	Pr.

**:: Front / Rear Gear Differential**

81008	Diff Outdrives, 15mm (Rear Diff)	2
81009	RC8B3.1 Underdrive Diff Gear Set, 42T	1
81012	Diff Outdrives, 17mm (Front Diff)	2
81379	RC8B3.1 Differential Case	1
81380	RC8B3.1 Differential Gear Set (HTC) - Kit	1
81381	RC8B3.1 Differential Shim Set	1
81383	RC8B3.1 Differential Gear Set (LTC)	1
81384	RC8B3.1 Differential Gasket	3
81385	RC8B3.1 Differential O-Ring Set	1
89208	M3 x 14mm FHCS	10
91564	8 x 16 x 5mm Bearings	2

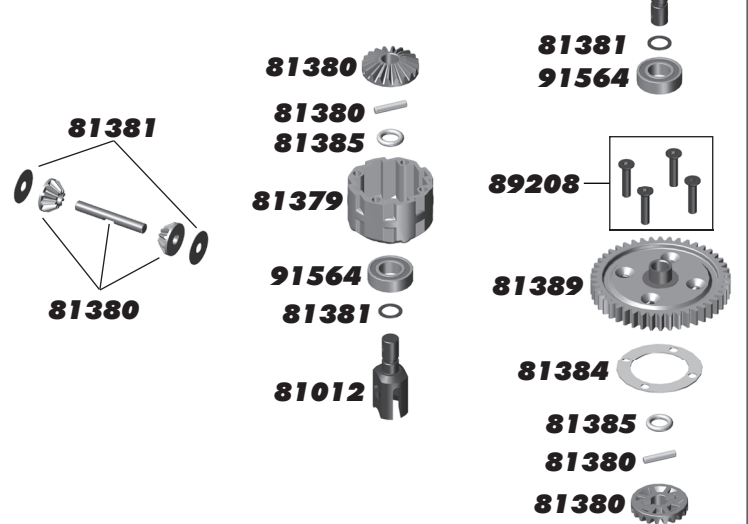
81008 - Rear  
81012 - Front



**:: Center Gear Differential**

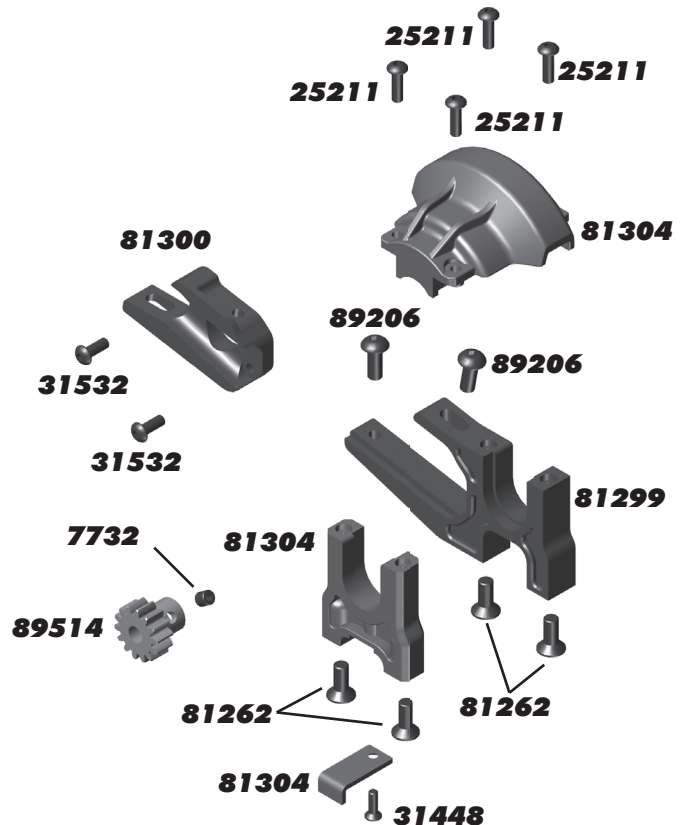
81012	Diff Outdrives, 17mm (Center Diff)	2
81379	RC8B3.1 Differential Case	1
81380	RC8B3.1 Differential Gear Set (HTC)	1
81381	RC8B3.1 Differential Shim Set	1
81383	RC8B3.1 Differential Gear Set (LTC)	1
81384	RC8B3.1 Differential Gasket	3
81385	RC8B3.1 Differential O-Ring Set	1
81389	RC8B3.1e Plastic Spur Gear, 46T - KIT	1
89208	M3 x 14mm FHCS	10
91564	8 x 16 x 5mm Bearings	2

81012



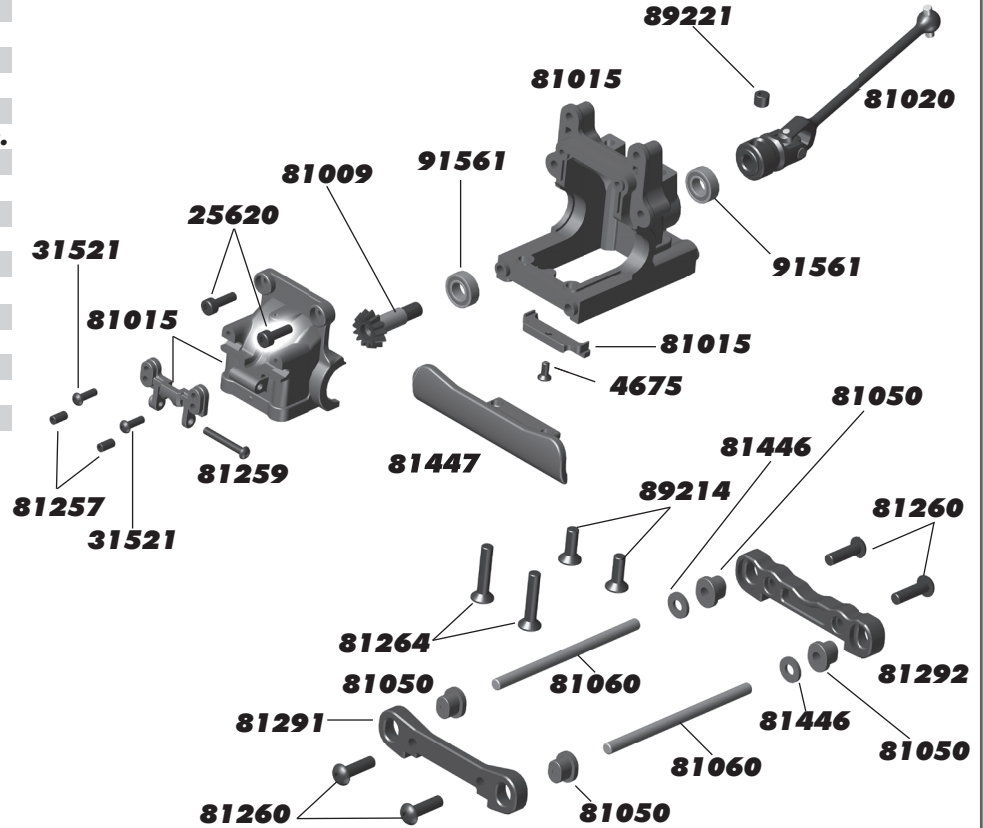
**:: Center Bulkhead**

7732	M4 x 4mm Set Screw	10
25211	M3 x 10mm BHCS	10
31448	M2.5 x 8mm FHCS	6
31532	M3 x 8mm BHCS	6
81262	M4 x 10mm FHCS	6
81299	RC8B3e Motor Mount	1
81300	RC8B3e Motor Mount Slide	1
81304	RC8B3e Center Bulkhead / Cover / Guide	1
89206	M4 x 10mm BHCS	10
89512	Pinion, 12T	1
89513	Pinion, 13T	1
89514	Pinion, 14T	1
89515	Pinion, 15T	1
89516	Pinion, 16T	1
89517	Pinion, 17T	1
89593	Pinion, 18T	1
89594	Pinion, 19T	1
89595	Pinion, 20T	1



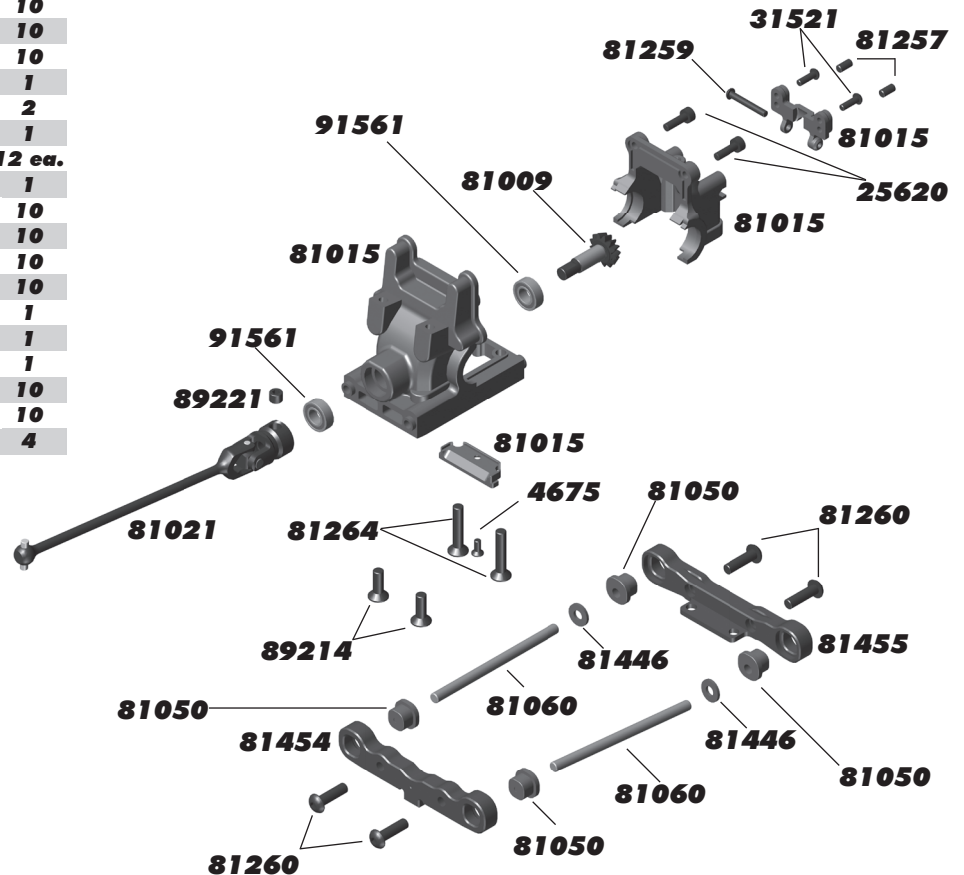
**:: Front Gearbox**

4675	M2.5 x 6mm FHCS	10
25620	M3 x 10mm SHCS	10
31521	M2.5 x 8mm BHCS	10
81009	RC8B3.1 Diff Pinion Gear, 12T	1
81015	RC8B3 Gearbox	2
81020	RC8B3 Center Universal, 76mm	1
81050	RC8B3 Arm Mount Insert	12 ea.
81060	RC8B3 Hinge Pin Set	1
81257	M3 x 6mm Set Screw	10
81259	M2.5 x 18mm BHCS	10
81260	M4 x 14mm BHCS	10
81264	M4 x 20mm FHCS	10
81291	RC8B3 HRC Arm Mount, A	1
81292	RC8B3 HRC Arm Mount, B	1
81446	RC8B3 Shim Set	1
81447	RC8B3 Body Post & Bumper	1
89214	M4 x 12mm FHCS	10
89221	M5 x 4mm Set Screw	10
91561	Bearing, 6 x 12 x 4mm	4



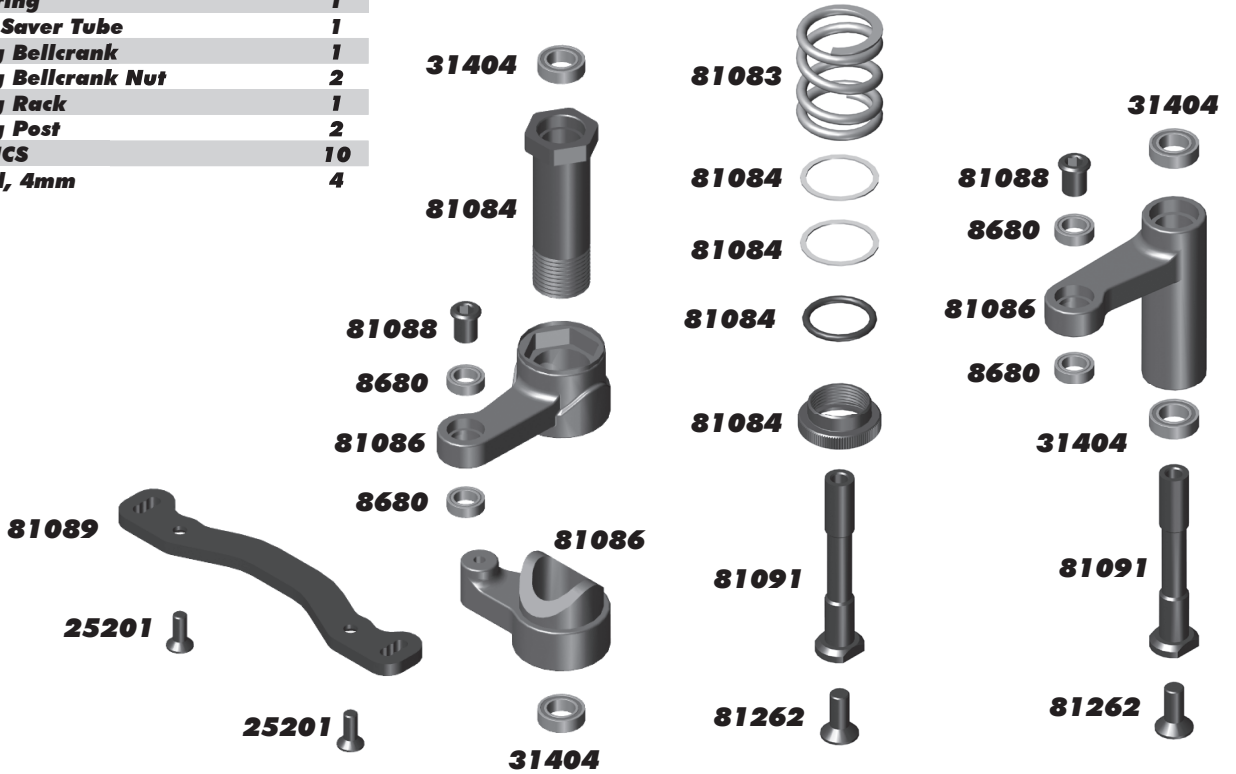
**:: Rear Gearbox**

4675	M2.5 x 6mm FHCS	10
25620	M3 x 10mm SHCS	10
31521	M2.5 x 8mm BHCS	10
81009	RC8B3.1 Diff Pinion Gear, 12T	1
81015	RC8B3 Gearbox	2
81021	Center Universal, 106mm	1
81050	RC8B3 Arm Mount Insert	12 ea.
81060	RC8B3 Hinge Pin Set	1
81257	M3 x 6mm Set Screw	10
81259	M2.5 x 18mm BHCS	10
81260	M4 x 14mm BHCS	10
81264	M4 x 20mm FHCS	10
81446	RC8B3 Shim Set	1
81454	RC8B3 HRC Arm Mount, Narrow, C	1
81455	RC8B3 HRC Arm Mount, Narrow, D	1
89214	M4 x 12mm FHCS	10
89221	M5 x 4mm Set Screw	10
91561	Bearing, 6 x 12 x 4mm	4



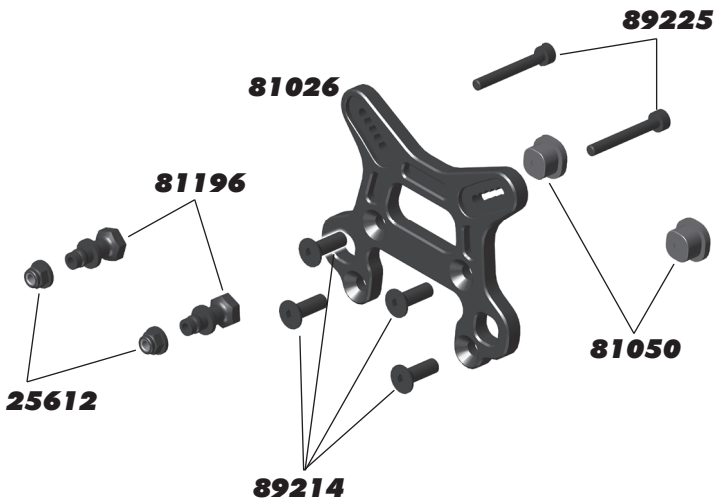
**:: Steering**

<b>8680</b>	<b>FT Steering Bearing Set, 5 x 8 x 2.5mm &amp; 6 x 10 x 3mm</b>	<b>4 ea.</b>
<b>25201</b>	<b>M3 x 8mm FHCS</b>	<b>10</b>
<b>31404</b>	<b>Bearing, 6 x 10 x 3mm</b>	<b>4</b>
<b>81083</b>	<b>Servo Saver Spring</b>	<b>1</b>
<b>81084</b>	<b>RC8B3.1 Servo Saver Tube</b>	<b>1</b>
<b>81086</b>	<b>RC8B3 Steering Bellcrank</b>	<b>1</b>
<b>81088</b>	<b>RC8B3 Steering Bellcrank Nut</b>	<b>2</b>
<b>81089</b>	<b>RC8B3 Steering Rack</b>	<b>1</b>
<b>81091</b>	<b>RC8B3 Steering Post</b>	<b>2</b>
<b>81262</b>	<b>M4 x 10mm FHCS</b>	<b>10</b>
<b>81397</b>	<b>Turnbuckle Ball, 4mm</b>	<b>4</b>



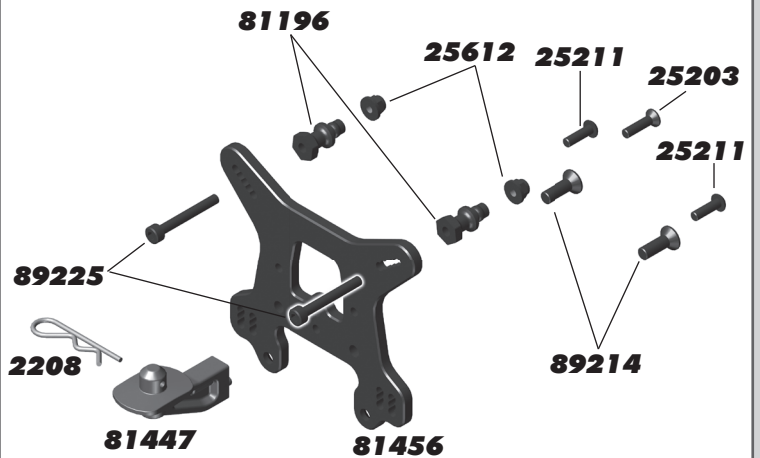
**:: Front Shock Tower**

<b>25612</b>	<b>M3 Locknut with Flange, Black</b>	<b>20</b>
<b>81026</b>	<b>RC8B3 Shock Tower, Front</b>	<b>1</b>
<b>81050</b>	<b>RC8B3 Arm Mount Inserts</b>	<b>12 ea.</b>
<b>81196</b>	<b>RC8B3 Shock Bushing</b>	<b>4</b>
<b>89214</b>	<b>M4 x 12mm FHCS</b>	<b>10</b>
<b>89225</b>	<b>M3 x 24mm SHCS</b>	<b>10</b>



**:: Rear Shock Tower**

<b>2208</b>	<b>Large Hood Pins</b>	<b>6</b>
<b>25203</b>	<b>M3 x 12mm FHCS</b>	<b>20</b>
<b>25211</b>	<b>M3 x 10mm BHCS</b>	<b>20</b>
<b>25612</b>	<b>M3 Locknut with Flange, Black</b>	<b>20</b>
<b>81196</b>	<b>RC8B3 Shock Bushing</b>	<b>4</b>
<b>81447</b>	<b>RC8B3 Body Posts &amp; Bumper</b>	<b>1</b>
<b>81456</b>	<b>RC8B3.2 Rear Shock Tower, Aluminum</b>	<b>1</b>
<b>89214</b>	<b>M4 x 12mm FHCS</b>	<b>10</b>
<b>89225</b>	<b>M3 x 24mm SHCS</b>	<b>10</b>



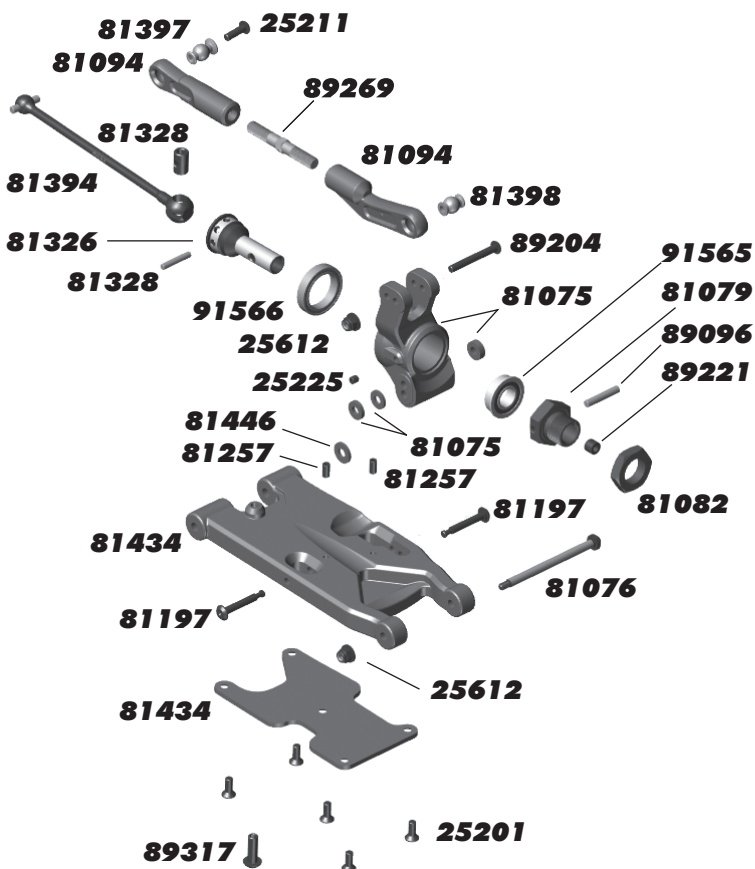
## :: Front Suspension

25201	M3 x 8mm FHCS	10
25202	M3 x 10mm FHCS	10
25211	M3 x 10mm BHCS	10
25225	M3 x 3mm Set Screw	10
81056	RC8B3 Suspension Arm Endcap	4
81060	RC8B3 Hinge Pin Set	1
81063	RC8B3 Steering Block Arm +2 deg	Pr.
81065	RC8B3 Steering Block	Pr.
81067	RC8B3 Pillow Ball	2
81070	RC8B3 Pillow Ball Nut	4
81072	RC8B3 Pillow Ball Shim	6
81079	RC8B3 Wheel Hexes, +1mm wide	2
81082	RC8B3 Wheel Nuts, 17mm Blue	2
81093	RC8B3 Rod End, 4mm (4 ball joints, 2 rod ends, 2 offset rod ends)	1
81197	RC8B3 Shock Pin	4
81257	M3 x 6mm Set Screw	10
81326	RC8B3 CVA Axle, steel	2
81328	FT RC8B3 CVA Rebuild Kit	1
81394	RC8B3.1 CVA Driveshaft (94mm)	2
81397	RC8B3.1 Turnbuckle Balls	4
81438	RC8B3.2 Front Lower Susp. Arms	1
81442	RC8B3.2 Front Upper Arm Set	Pr.
81446	RC8B3 Shim Set	1
89096	Wheel Hex Pin	4
89221	M5 x 4mm Set Screw	10
89317	Droop Screw	8
89526	4 x 50mm Turnbuckle	2
91565	8 x 16 x 5mm Flanged Bearing	4
91566	15 x 21 x4mm Bearing	4



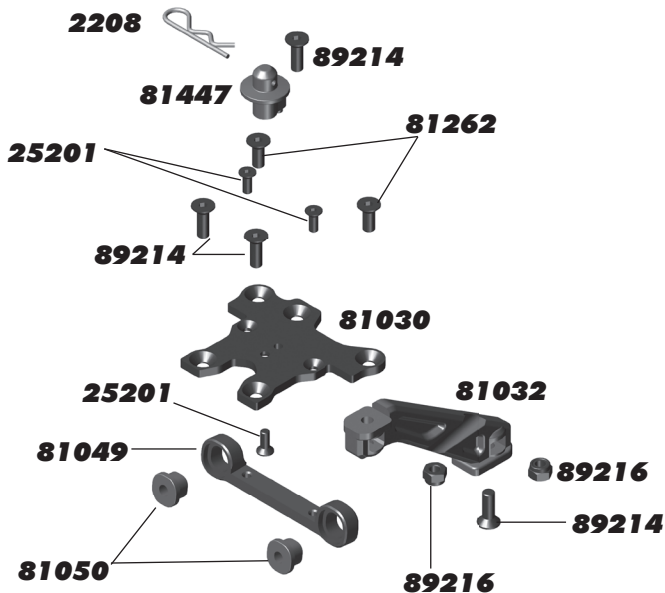
## :: Rear Suspension

25201	M3 x 8mm FHCS	10
25211	M3 x 10mm BHCS	10
25225	M3 x 3mm Set Screw	10
25612	M3 Flanged Locknut	10
81075	RC8B3 Rear Hub	Pr.
81076	RC8B3 Hub Hinge Pin	2
81079	RC8B3 Wheel Hexes, +1mm wide	2
81082	RC8B3 Wheel Nuts, 17mm Blue	2
81094	RC8B3 Rod End, 5mm (4 ball joints, 2 rod ends, 2 offset rod ends)	1
81197	RC8B3 Shock Pin	4
81257	M3 x 6mm Set Screw	6
81326	RC8B3 CVA Axle, steel	2
81328	FT RC8B3 CVA Rebuild Kit	1
81394	RC8B3.1 CVA Driveshaft (94mm)	2
81397	RC8B3.1 Turnbuckle Ball	4
81398	RC8B3.1 Turnbuckle Ball (Shouldered)	4
81434	RC8B3.2 Rear Arm Set	1
81446	RC8B3 Shim Set	1
89096	Wheel Hex Pin	4
89204	M3 x 24mm BHCS	10
89221	M5 x 4mm Set Screw	10
89269	Steel Turnbuckle, 5 x 38mm	2
89317	Droop Screw	8
91565	8 x 16 x 5mm Flanged Bearing	4
91566	15 x 21 x4mm Bearing	2



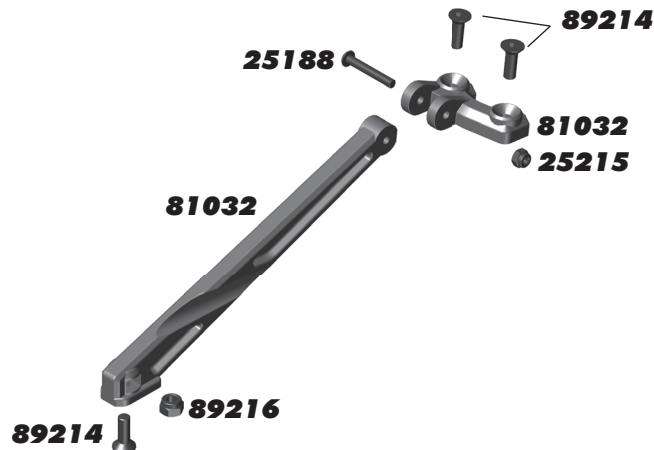
**:: Front Chassis Brace**

2208	Large Hood Pins	6
25201	M3 x 8mm FHCS	10
81030	RC8B3 Top Plate	1
81032	RC8B3 Chassis Brace	Pr.
81049	RC8B3 Upper Link Mount	1
81050	RC8B3 Arm Mount Insert	12 ea.
81262	M4 x 10mm FHCS	10
81447	RC8B3.2 Body Post and Bumpers	1
89214	M4 x 12mm FHCS	10
89216	M4 Locknut	10



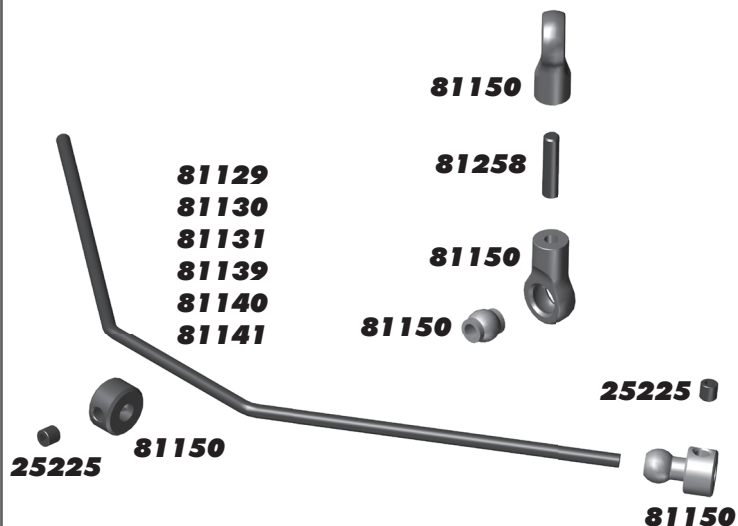
**:: Rear Chassis Brace**

25188	M3 x 20mm BHCS	10
25215	M3 Locknut, Black	10
81032	RC8B3 Chassis Brace	Pr.
89214	M4 x 12mm FHCS	10
89216	M4 Locknut	10



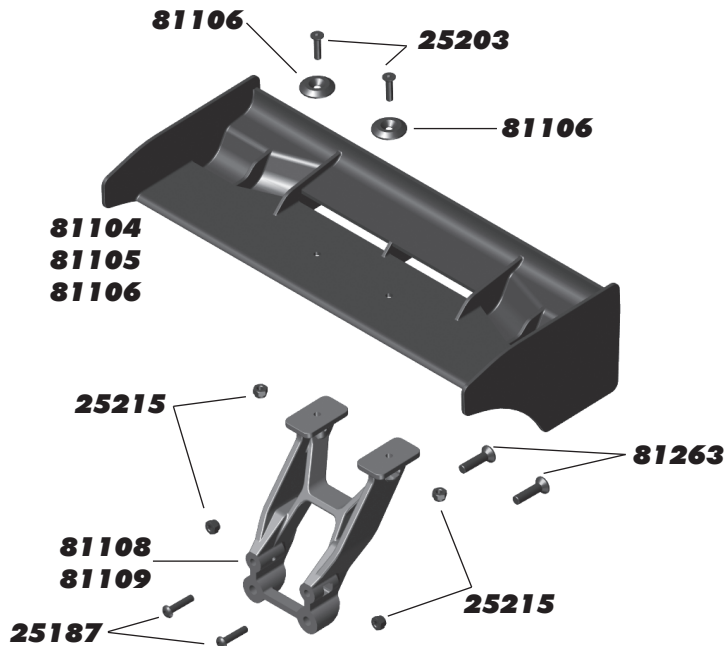
**:: Anti-Roll Bars**

25225	M3 x 3mm Set Screw	10
81129	RC8B3 Front Anti-Roll Bars (2.0, 2.1, 2.2mm)	1 ea.
81130	RC8B3 Front Anti-Roll Bars (2.3, 2.4, 2.5mm)	1 ea.
81131	RC8B3 Front Anti-Roll Bars (2.6, 2.7, 2.8mm)	1 ea.
81139	RC8B3 Rear Anti-Roll Bars (2.2, 2.3, 2.4mm)	1 ea.
81140	RC8B3 Rear Anti-Roll Bars (2.5, 2.6, 2.7mm)	1 ea.
81141	RC8B3 Rear Anti-Roll Bars (2.8, 2.9, 3.0mm)	1 ea.
81150	RC8B3 Anti-Roll Bar Drop Link / Collet	1
81258	M3 x 12mm Set Screw	6



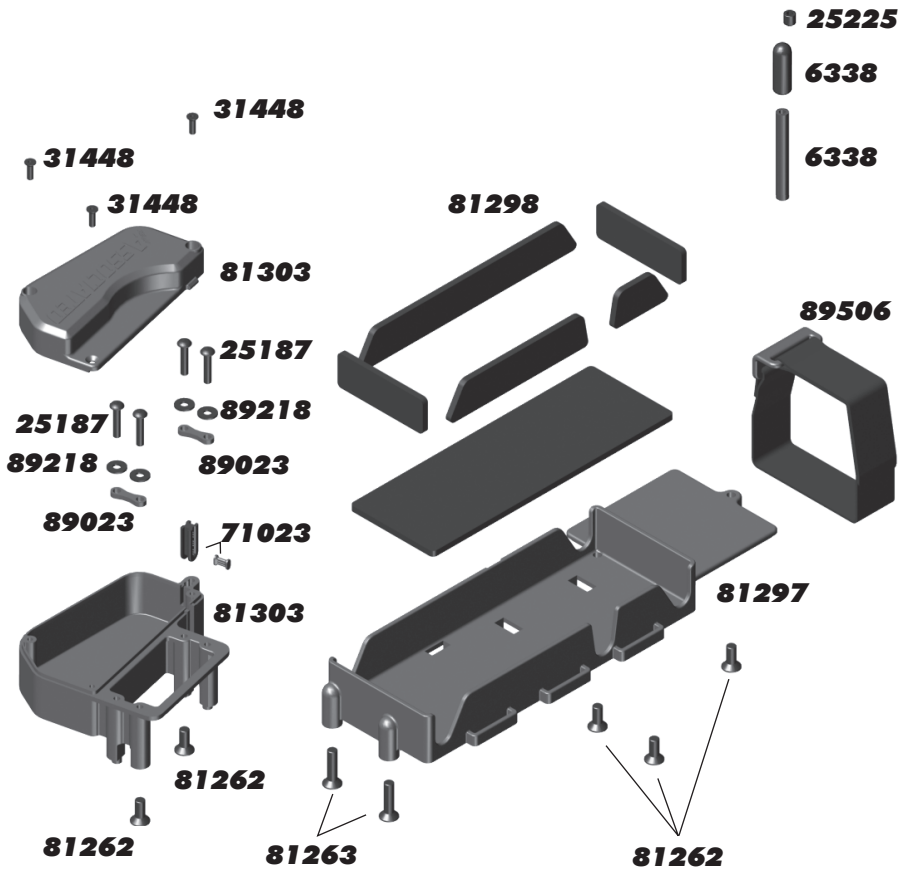
**:: Wing**

25187	M3 x 14mm BHCS	10
25203	M3 x 12mm FHCS	10
25215	M3 Locknut, Black	10
81104	RC8B3 IFMAR Wing, Black	1
81105	RC8B3 IFMAR Wing, White	1
81106	RC8B3 Wing, Black	1
81108	RC8B3 Wing Mount	1
81109	Wing Mount, +8mm	1
81263	M4 x 16mm FHCS	6



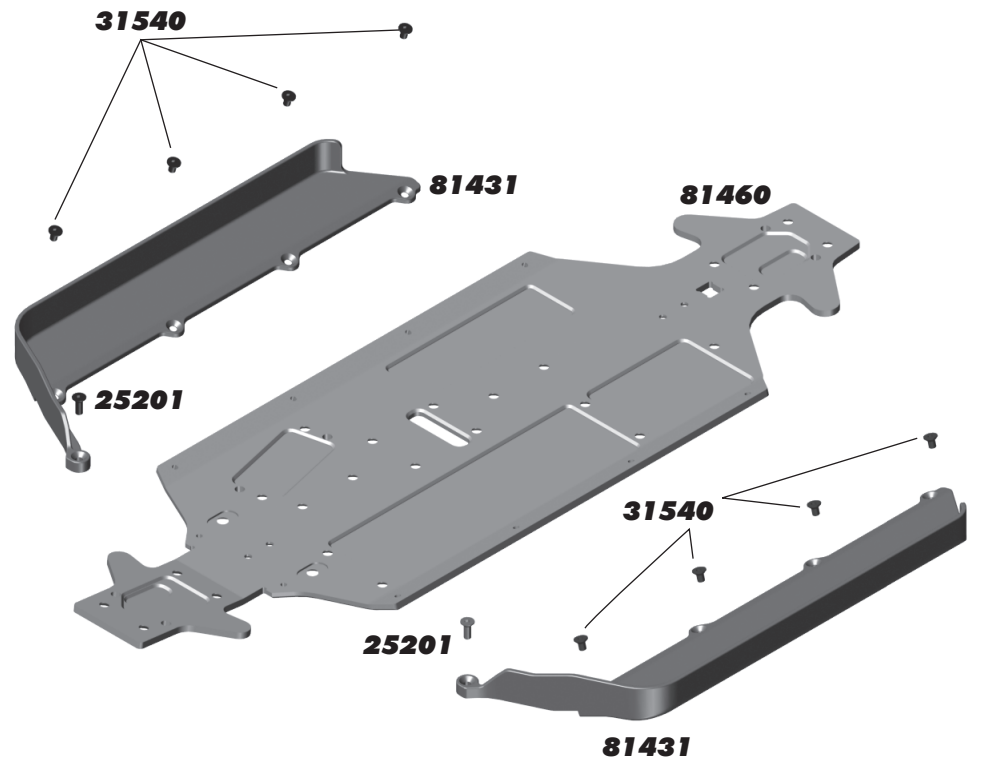
**:: Radio Tray / Battery Tray / Servo Linkage**

1401	Turnbuckle, 3 x 33mm	2
6338	Antenna Tube with Cap, Black	1
25187	M3 x 14mm BHCS	10
25188	M3 x 20mm BHCS	10
25201	M3 x 8mm FHCS	10
25215	M3 Locknut, Black	10
25225	M3 x 3mm Set Screw	10
31448	M2.5 x 8mm FHCS	10
71023	Receiver Box Grommets	1
81250	RC8B3 Servo Horns	1
81262	M4 x 10mm FHCS	10
81263	M4 x 16mm FHCS	10
81297	RC8B3e Battery Tray	1
81298	RC8B3e Battery Foams	1
81303	RC8B3e Servo / Receiver Box	6
89023	Servo Mount Spacers	1
89218	3 x 8mm Washer	3
89506	Hook and Loop Fastener Battery Strap	1
91048	HD Ballstuds, 8mm	10
91050	HD Ballstuds, 12mm	10
91469	Ball Cup Set, Small	1



**:: Chassis**

25201	M3 x 8mm FHCS	10
31540	M3 x 5mm FHCS	10
81431	RC8B3.2 Side Guards	Pr.
81460	RC8B3.2e Chassis	1



**:: Factory Team and Option Parts**

25392	3mm Blue Locknut, Flanged	10
31550	M3 Aluminum Lock Nut	6
81028	RC8B3 FT Graphite Front Shock Tower	1
81077	FT Aluminum Rear Hubs	1
81080	RC8B3 Wheel Hexes, +2mm Wide	2
81081	FT Hex Drives, 17mm, Blue	2
81085	Servo Saver Arm, Aluminum	1
81382	FT Differential Cross Pins, With Inserts	1
81405	RC8B3.1 FT Chassis Weight, 15g	1
81406	RC8B3.1 FT Chassis Weight, 30g	1
81407	RC8B3.1 Shock Seal Bushing Set	1
81408	FT Aluminum Turnbuckle Ball Set	1
81410	RC8B3.1 Shock Bushings, Blue	4
81422	RC8B3.1 FT Graphite Rear Shock Tower, Tall	1

**:: Reedy Comp. Motors & Spare Parts**

27405	Sonic 866 Competition 1/8 Buggy Motor 1900kV	1
27406	Sonic 866 Competition 1/8 Buggy Motor 2100kV	1
27407	Sonic 877 Competition 1/8 Truggy Motor 2000kV	1
27408	Sonic 866 Rotor - Standard	1
27409	Sonic 866 Rotor - Low-Torque	1
27410	Sonic 877 Rotor- Standard	1
27411	Sonic 866/877 Screw Set (11 pcs.)	1
27412	Sonic 866/877 Bearing Set (pr.)	1
27413	Sonic 866/877 Sensor Board w/bearing	1

**:: Reedy Comp. Motors Accessories**

978	Flat Sensor Wire 70mm	1
979	Flat Sensor Wire 110mm	1
980	Flat Sensor Wire 150mm	1
981	Flat Sensor Wire 200mm	1
982	Flat Sensor Wire 270mm	1
994	Flat Sensor Wire 125mm	1
995	Flat Sensor Wire 175mm	1
27423	30mm Lightweight Motor Fan w/195mm extension	1
27457	30mm Aluminum Motor Fan w/195mm extension	1
27458	40mm Aluminum Motor Fan w/195mm extension	1

**:: Wheels / Tires / Bodies / Decals**

726	Reedy 2016 Sticker Set	1
81110	RC8B3 Pro Line Body	1
81270	RC8B3 Decal Sheet	1
89296	RC8 83mm Wheels (White)	4
89297	RC8 83mm Wheels (Yellow)	4

**:: Reedy ESC'S**

27007	Blackbox 850R Competition 1/8 ESC	1
27008	Blackbox 850R Competition 1/8 ESC w/Programmer	1
27027	Blackbox PROGRAMMER2	1
27030	Blackbox ESC/Programmer2 Connection Wire	1
27032	Blackbox 850R 30x30x10mm Fan w/screws	1

**:: MyLaps Transponders**

MLP10R120	MyLaps RC4 (3-wire) Transponder	1
MLP10R147	MyLaps RC4 (3-wire) Pro Transponder, Black	1
MLP40R222	MyLaps Transponder Holder	1

**:: Reedy Servos & Accessories**

27100	RS1206 Digital HV Hi-Speed Competition Servo	1
27101	RT1508 Digital HV Hi-Torque Competition Servo	1
27102	RS1206 Servo Case Set w/screws	1
27103	RS1206 Servo Gear Set	1
27105	RT1508 Servo Gear Set	1
27114	RT2406 Digital HV Brushless Competition Servo	1
27122	Reedy Aluminum Servo Horn (25)	1
27123	Reedy Aluminum Clamping Servo Horn (25)	1
27135	RT2406 Gear Set	1
27136	RT2706A Gear Set	1
27139	RT2406 Case Set	1

**:: Reedy Chargers and Accessories**

27200	1216-C2 Dual AC/DC Comp. Battery Charger	1
27201	324-S AC LiPo/LiFe Compact Balance Charger	1
27202	123-S AC LiPo Compact Balance Charger	1
27220	7-in-1 Universal Charge Lead (4mm)	1
27221	T-plug Charge Lead (4mm)	1
27222	XH 2-6S Balance Board (4mm)	1
27223	RX Charger Lead FUT (4mm)	1
27224	US to IEC 320 C5 angle 1M AC Power Cord	1
27226	EU to IEC 320 C5 angle 1M AC Power Cord	1
27232	4mm/5mm Pro Charge Lead	1

**:: Reedy Accessories**

643	Low Profile Bullet Plug 4mm x 14mm (2)	1
644	Low Profile Bullet Plug 4mm x 14mm (10)	1
645	Low Profile Bullet Plug 5mm x 14mm (2)	1
646	Low Profile Bullet Plug 5mm x 14mm (10)	1
647	Silicone Wire 12AWG-Black (1m)	1
648	Silicone Wire 14AWG-Black (1m)	1
650	Shrink Tubing - 15pcs 4.5mm x 20mm	1
747	Silicone Wire 12AWG-Black (30m)	1
790	Silicone Wire 13AWG-Black (1m)	1
791	Silicone Wire 13AWG-Black (30m)	1
792	Low Profile Caged Bullet Plug 4mm x 14mm (2)	1
794	Low Profile Caged Bullet Plug 5mm x 14mm (2)	1

**:: Reedy Batteries**

302	AA Alkaline 1.5V (4)	1
756	Wolfpack LiPo 4000mAh 35C 14.8V w/T-Plug	1
27313	LiPo Pro TX/RX 2400mAh 7.4V Flat	1
27315	LiFe Pro TX/RX 1600mAh 6.6V Flat	1
27353	Zappers SG3 6400mAh 115C 15.2V Stick	1
27354	Zappers SG3 5200mAh 115C 15.2V LP Stick	1



**:: Apparel / Promotional****TEE SHIRTS**

SP124*	AE 2017 Worlds Tee, Black (S, M, L, XL-5XL)	1
SP126*	Team Assoc. Tri T-Shirt, Black (S, M, L, XL-5XL)	1
SP128*	Team Assoc. Womens Tri T-Shirt, Black (S, M, L)	1
SP129*	Team Assoc. Youth Tri T-Shirt, Black (S, M, L)	1
SP130*	Team Assoc. Youth WC19 T-Shirt, Black (S, M, L)	1
SP131*	Team Assoc. Womens WC19 T-Shirt, Black (S, M, L)	1
SP132*	Team Assoc. WC19 T-Shirt, Black (S, M, L, XL-5XL)	1
SP143*	Reedy W19 T-Shirt, Black (S, M, L, XL-3XL)	1
SP161*	FT T-Shirt, White (S, M, L, XL-3XL)	1
SP200*	Element RC Logo Tee, Gray (S, M, L, XL-5XL)	1
SP201*	Element RC Rhombus Tee, Black (S, M, L, XL-5XL)	1

**HOODIES/JACKETS**

SP125*	AE 2017 Worlds Pullover, Black (S, M, L, XL-3XL)	1
SP127*	Team Associated Tri Zip Up, Black (S, M, L, XL-3XL)	1
SP142*	Reedy W19 Hoodie - Black (S, M, L, XL-3XL)	1
SP160*	FT Logo Lightweight "Medal" Zip Up Streaked, Black (S, M, L, XL-4XL)	1
SP230*	Element RC Zip Up, Black (S, M, L, XL-5XL)	1
SP231*	Element RC Hoodie, Black (S, M, L, XL-5XL)	1
SP250*	Element RC Jacket, Black (S, M, L, XL-2XL)	1

**HATS**

SP20	AE Patch Trucker Hat	1
SP260	Element RC Hat, Curved Bill, Black	1
SP261	Element RC Hat, Flat Bill, Black	1
SP262	Element RC Beanie, Black	1
SP430	Reedy Trucker Hat 2018	1
SP431	Team Associated Tri Trucker Hat, Flat Bill	1
SP432	Team Associated Tri Trucker Hat, Curved Bill	1
SP434	FT Logo Trucker Hat, Flat Bill	1
SP435	FT Logo Trucker Hat, Curved Bill	1

**BANNERS/MATS CARRIERS**

SP115	Reedy Circuit Cloth Banner	1
SP280	Element RC Counter Top Mat	1
SP281	Element RC Pit Mat	1
SP282	Element RC Pit Towel	1
SP283	Element RC Vinyl Banner, 48x24	1
SP284	Element RC Vinyl Banner, 20x12	1
SP285	Element RC Pin Pattern Counter Top Mat	1
SP425	FT Fluid Carrier	1

\*\* Use part number plus the desired size when ordering!

**:: Lubes & Adhesives / Misc.**

1105	FT Green Slime Shock Lube	1
1596	FT Locking Adhesive	1
1597	FT Tire Adhesive	1
5451	Silicone Diff Fluid 2,000CST	1
5452	Silicone Diff Fluid 3,000CST	1
5444	Silicone Diff Fluid 4,000CST	1
5453	Silicone Diff Fluid 5,000CST	1
5446	Silicone Diff Fluid 6,000CST	1
5447	Silicone Diff Fluid 15,000CST	1
5454	Silicone Diff Fluid 7,000CST	1
5455	Silicone Diff Fluid 10,000CST	1
5456	Silicone Diff Fluid 20,000CST	1
5457	Silicone Diff Fluid 30,000CST	1
5458	Silicone Diff Fluid 60,000CST	1
5448	Silicone Diff Fluid 80,000CST	1
5459	Silicone Diff Fluid 100,000CST	1
5461	Silicone Diff Fluid 200,000CST	1
5463	Silicone Diff Fluid 500,000CST	1
5465	Silicone Diff Fluid 1,000,000CST	1
6588	Black Grease - 4cc	1
6591	S.Diff Lube - 4cc	1
6636	Silicone Grease - 4cc	1
6727	Servo Tape	2
7710	FT Foam Prefilter Treatment, 1 oz.	1



1596

**:: Tools**

1111	FT Turnbuckle Wrench - 1/10 Vehicles	1
1112	FT 4mm Turnbuckle Wrench - 1/10 Vehicles	1
1113	12mm Big Bore Shock Tool	1
1114	FT Dual Turnbuckle Wrench	1
1449	Off Road Ride Height Gauge	1
1452	FT TC Ride Height Gauge - Touring Car Vehicles	1
1498	FT Universal Tire Balancer	1
1499	FT Body Reamer	1
1500	FT 1.5mm Hex Driver	1
1501	FT 2.0mm Hex Driver	1
1502	FT 2.0mm Ball Hex Driver	1
1503	FT 2.5mm Hex Driver	1
1504	FT 2.5mm Ball Hex Driver	1
1505	FT 3.0mm Hex Driver	1
1506	FT 5.0mm Hex Driver	1
1507	FT 5.5mm Nut Driver	1
1508	FT 7.0mm Nut Driver	1
1510	FT 1.5mm Hex Replacement Tip	1
1511	FT 2.0mm Hex Replacement Tip	1
1512	FT 2.0mm Ball Replacement Tip	1
1513	FT 2.5mm Hex Replacement Tip	1
1514	FT 2.5mm Ball Replacement Tip	1
1515	FT 3.0mm Hex Replacement Tip	1
1518	FT Hex Driver Tool Set (3pcs)	1
1519	FT Hex/Nut Driver Tool Set (5pc)	1
1522	FT Digital Scale, 100/0.01g	1
1555	FT Clutch Gauge, 4 Shoe	1
1568	FT 5.5mm Short Nut Driver	1
1569	FT 7mm Nut Driver, T-Handle	1
1570	FT 5.5mm Short Nut Driver	1
1571	FT 1:8 Wheel Nut Wrench, 17mm Hex	1
1579	FT Ball Cup Wrench	1
1595	Chassis Weights, 1/4 oz	1
1650	7 Piece Hex Driver Set	1
1657	FT 1/4" Hex Drive .050" Tip	1
1659	FT 1/4" Hex Drive 5/64" - 2.0mm Tip	1
1661	FT 1/4" Hex Drive 1.5mm Tip	1
1662	FT 1/4" Hex Drive 2.5mm Tip	1
1666	FT 1/4" Hex Drive 5.5mm Nut Driver Tip	1
1667	FT 1/4" Hex Drive 7.0mm Nut Driver Tip	1
1668	FT 1/4" Hex Drive 8.0mm Nut Driver Tip	1
1674	FT 1/4" 5 Piece Power Tool Tips Set (5/64-2.0mm, 1.5mm, 2.5mm, 5/64"- 2.0mm ball, 2.5mm ball)	1
1675	FT Shock Shaft Pliers	1
1679	FT T-Handle Ratchet Driver	1
1719	FT Camber + Track Width Tool	1
1737	FT Body Scissors	1
3718	12 Inch Nylon Wire Ties	12
3987	FT Droop Gauge - Touring Car Vehicles	1
89240	RC8 FT Turnbuckle Wrench	1

**:: Contact Information**

Check out the following web sites for all of our electric kits, current products, new releases, setup help, tips, and racing info!

Associated Electrics, Inc.

21062 Bake Parkway

Lake Forest, CA 92630-8853 USA

<http://www.TeamAssociated.com>

<http://www.RC10.com>

[http://twitter/Team\\_Associated](http://twitter/Team_Associated)

<http://www.instagram.com/teamassociatedrc/>

<http://www.facebook.com/TeamAssociated/>

call: (949) 544-7500

fax: (949) 544-7501

# **TEAM ASSOCIATED**

WORLD CHAMPION R / C CARS

**Associated Electrics, Inc.**  
**21062 Bake Parkway Lake Forest, CA 92630 USA**

**call: (949) 544-7500 - fax: (949) 544-7501**  
**Check out the following web sites for all of our kits,**  
**current products, new releases, setup help, tips, and racing info!**  
**[www.AssociatedElectrics.com](http://www.AssociatedElectrics.com)**

## **FOLLOW US ON SOCIAL MEDIA**



**TeamAssociated**  
**ReedyPower**  
**ElementRC**



**@TeamAssociatedRC**  
**@ReedyPower**  
**@Element\_RC**



**@Team\_Associated**  
**@ReedyPower**



**AEFactoryTeam**