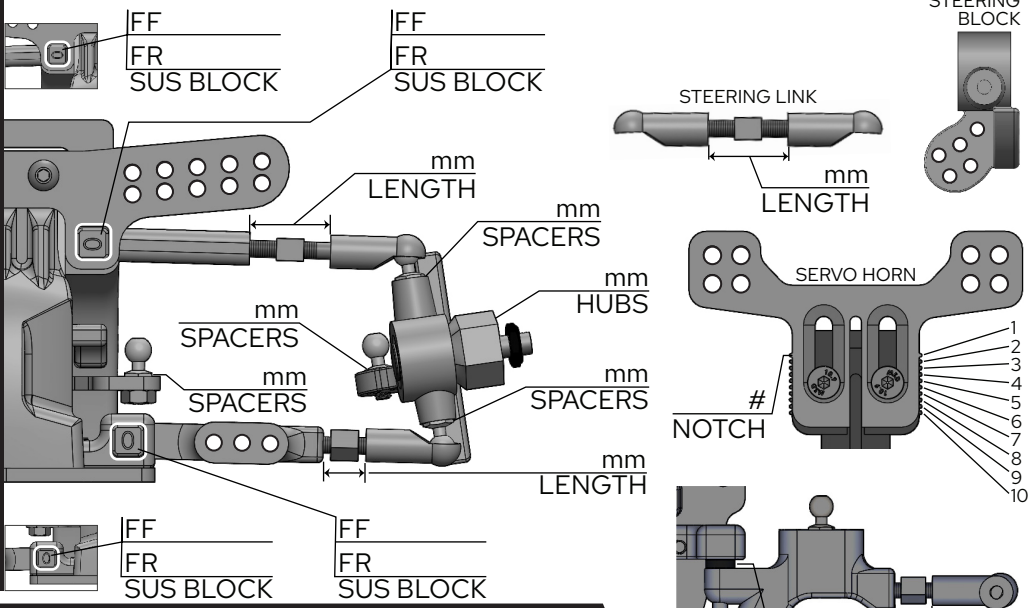




Driver:	Location: <input type="checkbox"/> Indoor <input type="checkbox"/> Outdoor
Date: / /	Track Surface: <input type="checkbox"/> P-Tile <input type="checkbox"/> Carpet
Track Name:	<input type="checkbox"/> Polished Concrete <input type="checkbox"/> Asphalt
Track Fee:	<input type="checkbox"/> Unpolished Concrete
Qualified:	Condition: <input type="checkbox"/> Smooth <input type="checkbox"/> Rough
Placed:	Traction: <input type="checkbox"/> High <input type="checkbox"/> Medium <input type="checkbox"/> Low

FRONT



RIDE HEIGHT _____ mm

CAMBER ANGLE _____ mm

CASTER ANGLE _____

DROOP _____ mm

TOE ANGLE _____

NOTES _____

SHOCKS

PRELOAD _____ mm

OIL _____ WT

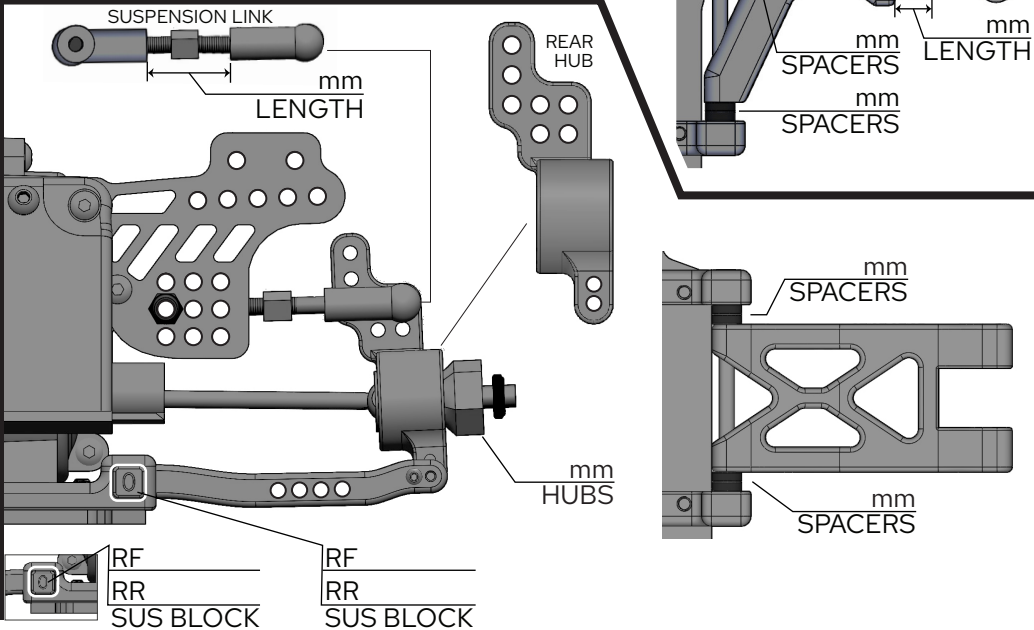
PISTON _____ HOLES

SPRING _____ mm

O-RINGS (limit shock travel)

NOTES _____

REAR



RIDE HEIGHT _____ mm

CAMBER ANGLE _____ mm

CASTER ANGLE _____

DROOP _____ mm

TOE ANGLE _____

NOTES _____

SHOCKS

PRELOAD _____ mm

OIL _____ WT

PISTON _____ HOLES

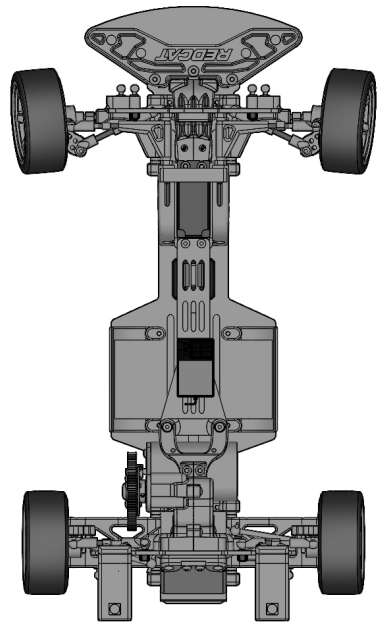
SPRING _____ mm

O-RINGS (limit shock travel)

NOTES _____

OTHER

SPUR	PINION
BODY	WING
SERVO	ESC
GYRO	GAIN
MOTOR	POSITION
BATTERY	<input type="checkbox"/> FRONT <input type="checkbox"/> MID <input type="checkbox"/> REAR
OTHER	



FRONT

TIRE _____

WHEEL _____

OFFSET _____

NOTES _____

REAR

TIRE _____

WHEEL _____

OFFSET _____

NOTES _____