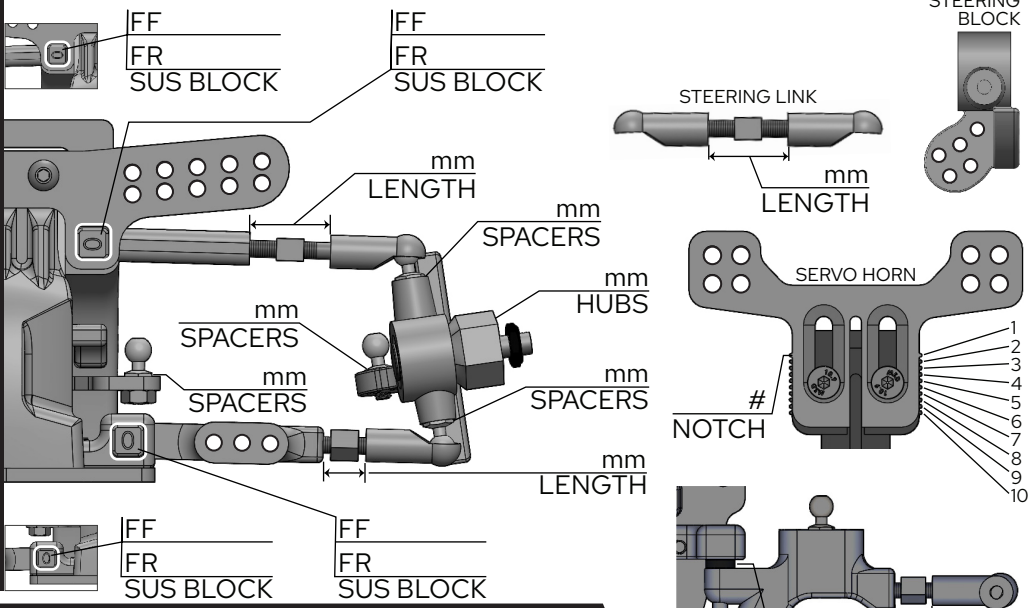




Driver:	Location: <input type="checkbox"/> Indoor <input type="checkbox"/> Outdoor
Date: / /	Track Surface: <input type="checkbox"/> P-Tile <input type="checkbox"/> Carpet
Track Name:	<input type="checkbox"/> Polished Concrete <input type="checkbox"/> Asphalt
Track Fee:	<input type="checkbox"/> Unpolished Concrete
Qualified:	Condition: <input type="checkbox"/> Smooth <input type="checkbox"/> Rough
Placed:	Traction: <input type="checkbox"/> High <input type="checkbox"/> Medium <input type="checkbox"/> Low

FRONT



RIDE HEIGHT _____ mm

CAMBER ANGLE _____ mm

CASTER ANGLE _____

DROOP _____ mm

TOE ANGLE _____

NOTES _____

SHOCKS

PRELOAD _____ mm

OIL _____ WT

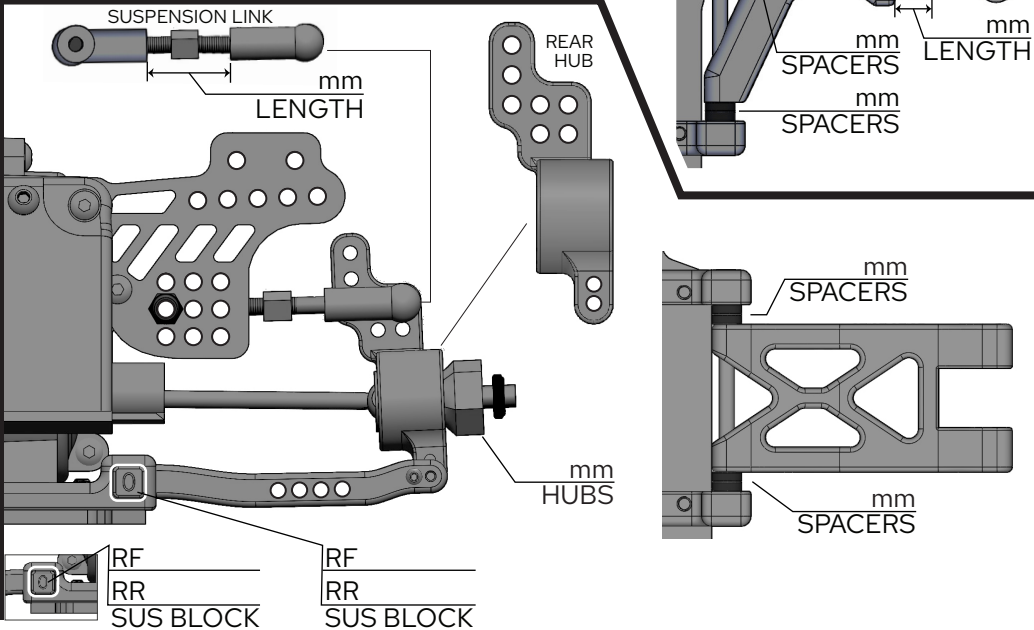
PISTON _____ HOLES

SPRING _____ mm

O-RINGS (limit shock travel)

NOTES _____

REAR



RIDE HEIGHT _____ mm

CAMBER ANGLE _____ mm

CASTER ANGLE _____

DROOP _____ mm

TOE ANGLE _____

NOTES _____

SHOCKS

PRELOAD _____ mm

OIL _____ WT

PISTON _____ HOLES

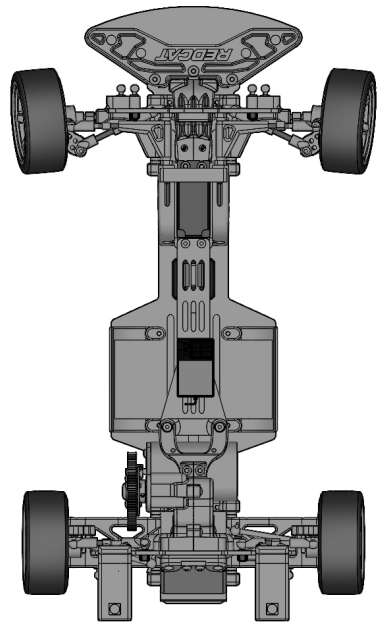
SPRING _____ mm

O-RINGS (limit shock travel)

NOTES _____

OTHER

SPUR	PINION
BODY	WING
SERVO	ESC
GYRO	GAIN
MOTOR	POSITION
BATTERY	<input type="checkbox"/> FRONT <input type="checkbox"/> MID <input type="checkbox"/> REAR
OTHER	



FRONT

TIRE _____

WHEEL _____

OFFSET _____

NOTES _____

REAR

TIRE _____

WHEEL _____

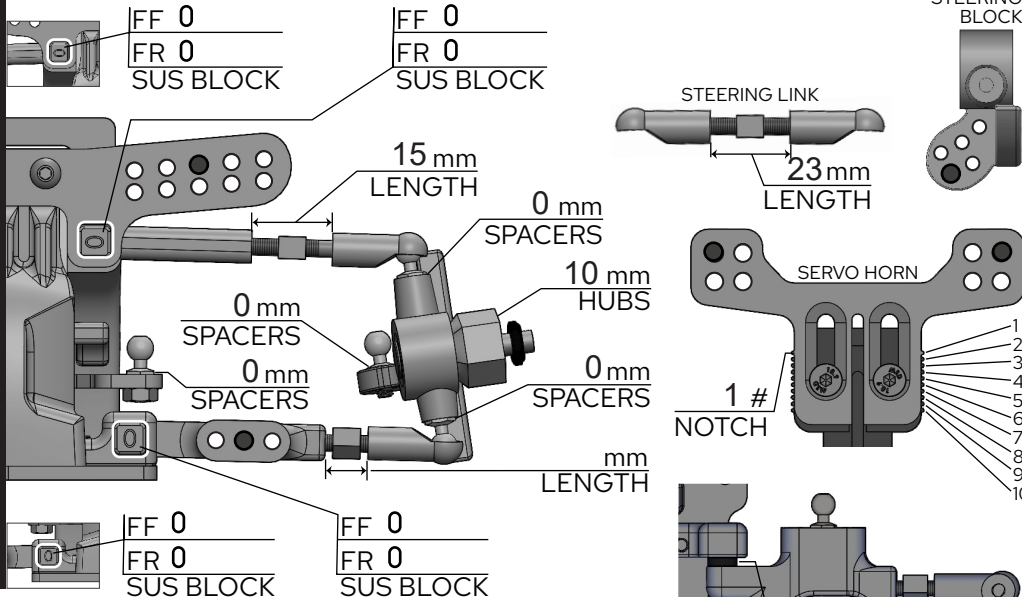
OFFSET _____

NOTES _____



Driver: RTR	Location: <input checked="" type="checkbox"/> Indoor <input type="checkbox"/> Outdoor
Date: / /	Track Surface: <input type="checkbox"/> P-Tile <input type="checkbox"/> Carpet
Track Name: Base Setup	<input checked="" type="checkbox"/> Polished Concrete <input type="checkbox"/> Asphalt
Track Fee:	<input type="checkbox"/> Unpolished Concrete
Qualified:	Condition: <input checked="" type="checkbox"/> Smooth <input type="checkbox"/> Rough
Placed:	Traction: <input type="checkbox"/> High <input type="checkbox"/> Medium <input checked="" type="checkbox"/> Low

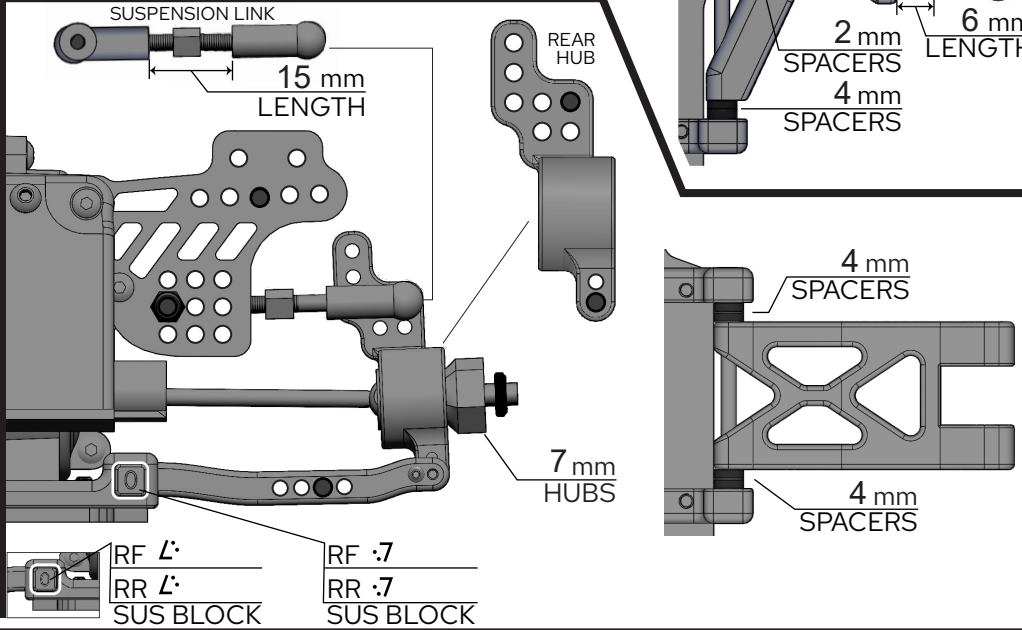
FRONT



RIDE HEIGHT	18 mm
CAMBER ANGLE	6
CASTER ANGLE	
DROOP	13 mm
TOE ANGLE	
NOTES	

SHOCKS	
PRELOAD	0 mm
OIL	20 WT
PISTON	6 HOLES
SPRING	1.6 mm
	Stock
O-RINGS (limit shock travel)	0
NOTES	

REAR

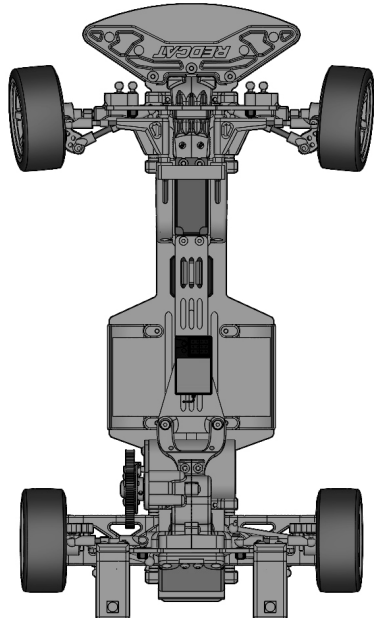


RIDE HEIGHT	9 mm
CAMBER ANGLE	2
CASTER ANGLE	N/A
DROOP	13 mm
TOE ANGLE	2.1
NOTES	

SHOCKS	
PRELOAD	2 mm
OIL	25 WT
PISTON	6 HOLES
SPRING	1.6 mm
	Stock
O-RINGS (limit shock travel)	0
NOTES	

OTHER

SPUR	PINION
88 Tooth	26 Tooth
BODY	WING
Stock	None
SERVO	ESC
HEXFLY drift-Spec	HOBBYWING WP-10BL60-RTR
GYRO	GAIN
HEXFLY GX-1	48%
MOTOR	POSITION
Redcat 3300Kv	<input type="checkbox"/> FRONT <input type="checkbox"/> MID <input checked="" type="checkbox"/> REAR
BATTERY	
Shorty 2S LIPO	
OTHER	



FRONT	
TIRE	Stock
WHEEL	Stock
OFFSET	Stock
NOTES	

REAR	
TIRE	Stock
WHEEL	Stock
OFFSET	Stock
NOTES	