



# 514-3

1/10 Off Road Racing Electric Buggy

**SWORKz 514-3**

**INSTRUCTION MANUAL**



# S14-3

*1/10 Off Road Racing Electric Buggy*

**Item No: SW-910032**

**Item Name: SWORKz S14-3 1/10 4WD EP Off Road Racing Buggy Pro Kit**

## INSTRUCTIONS

More top drivers joining SWORKz, has helped in the development and improvement of our 1/10 off road electric buggies. The brand new SWORKz S14-3 is a straight result of that.

Based on the success of the S14-2, SWORKz further developed its 1/10 off road buggy and came out with the S14-3.

One of its most unique features is the 5mm Axle Universal Cross Drive Shafts that were specially designed and made from SWORKz 1/8th buggy steel material.

For carpet off road racing, we gave up the pivot ball system and went with the C-Hub steering system. With the new C-Hub system, the S14-3 now has a new and improved front and rear suspension shock system.

The S14-3 new developed front and rear arms are made from strong composite nylon materials.

Standard included in the kit is the new Centre Slipper Clutch System.

The T-7075 aluminum chassis with its center flex system gives more rear grip. When equipped with the new front and rear upper carbon decks, the buggy has even more traction.

The S14-3 includes many high quality parts, a refined shock system and option parts.

Many SWORKz Factory Team Option Parts are included.

SWORKz utilizes only the highest quality materials and industry leading manufacturing processes resulting in a faster, stronger, and more reliable racing car.

The S14-3 Pro Kit is designed to win.

Congratulations on your purchase of the new SWORKz S14-3 1/10 scale off-road racing buggy pro kit.

Please read this manual carefully, before you attempt to drive your S14-3. This manual contains step-by-step instructions to help you complete, prepare for startup, and fine-tune your S14-3. Updates, setups, and product news will be posted on our website ([www.sworkz.com](http://www.sworkz.com)). So check often.

If you should have any questions or need help with your S14-3, please feel free to contact our official SWORKz dealers and distributors, as they will be glad to help you. You may also contact us at any time for the most up to date information and support.

### **S14-3 Pro Kit Features :**

1. T7075 aluminum B.H.C(Black Hard Coated) chassis with its new center flex system.
2. High performance CNC crown gears and pinion gears.
3. Unique 5mm Axle Universal Cross Drive Shafts.
4. New Centre Slipper Clutch System.
5. New Pro-composite Carbon Fiber shock towers with new geometry Shock Positions.
6. New design shock bodies with 3mm Teflon hard coated shafts.
7. Front and rear arms made from strong composite nylon materials.
8. Kit comes standard with both, 9 and 11 degree front C Hubs.
9. New Adjustable Steering Plate with New Bell Crank.
10. Full aluminum arm holders with adjustable Toe-in Block.
11. Aluminum Steering Servo Mount.
12. Velocity 2.0 Body Shell with Formula Bulkhead Wing.

<b>Specification</b>	
Length:	385mm
Width:	245mm
Height:	170mm
Ground Clearance:	50mm
Wheelbase:	282-285mm
Track:	F:232mm / R:222mm
Gear Ratio:	C:81T/19T, F/R 42/17T
Weight:	1698g (Race condition)

# S14-3

*1/10 Off Road Racing Electric Buggy*

Item No: SW-910032

Item Name: SWORKz S14-3 1/10 4WD EP Off Road Racing Buggy Pro Kit

## INSTRUCTIONS

Unter Mitwirkung unserer SWORKz Werkspiloten wurde über einen längeren Zeitraum und in zahlreichen Tests bei Rennen der neue SWORKz S14-3 entwickelt. Die Qualität der Werkstoffe und der Verarbeitung setzt neue Maßstäbe.

Grundlegend verändert wurde die Vorderachse. Hier haben wir unsere Pivot Ball Strategie aufgegeben. C-Hub hat sich in den Tests als die schnellere Version erwiesen. Serienmäßig ist auch der Slipper in der Mitte enthalten. Dieser wurde durch neue Mittelhalter und kleinere Hauptzahnräder so tief wie möglich gesetzt.

5mm Kardangelenke vorne und hinten wurden speziell designed, mit der Erfahrung aus dem 1/8.

Ebenfalls völlig neu sind die Stoßdämpfer. Exakte Fertigung und hochwertige Materialien garantieren eine perfekte Funktion. Querlenker vorne und hinten sind neu und aus hochwertigem Composite Nylon.

Das Chassis aus hochwertigem T7075 Aluminium mit neuem „Center Twist“ System bietet optimale Traktion. Ausgestattet mit den neuen vorderen und mittleren Carbon Decks erhöht sich die Traktion nochmals.

Der Baukasten enthält viele SWORKz Tuningteile. Die hochwertigen Materialien gepaart mit den neuesten Fertigungsmethoden, resultieren in einem schnelleren, stabileren aber auch zuverlässigeren Fahrzeug, dem SWORKz S14-3.

SWORKz S14-3, gebaut um zu siegen.

Gratulation zum Kauf des neuen SWORKz S14-3 1/10 Off Road Buggy Baukasten.

Bitte lesen sie die Beschreibung und Bauanleitung sorgfältig, bevor Sie mit Bau beginnen.

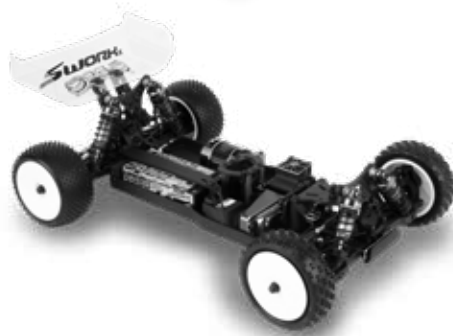
Die Bauanleitung hilft ihnen Schritt für Schritt beim Bau aber auch beim Setup und Tuning ihres SWORKz S14-3. Auf unserer Homepage [www.sworkz.com](http://www.sworkz.com) stehen immer die neuesten Setups zum Download zur Verfügung.

Sollten Sie dennoch Fragen haben stehen unsere SWORKz Partner jederzeit zur Verfügung. Gerne können Sie uns auch direkt kontaktieren um die letzten Neuheiten zu erfahren.

### S14-3 Pro Kit Features :

1. T7075 Aluminium BHC (Black hard coated) Bodenplatte mit neuem Center Flex System
2. CNC gefertigte Tellerräder und Trieblinge in Top Qualität
3. Spezielle 5mm Kardanwellen
4. Neuer Center Slipper
5. Pro-Composite Carbon Stoßdämpferhalter mit neuer Geometrie
6. Neue Stoßdämpfergehäuse mit 3mm Kolbenstangen in hardcoating
7. Querlenker hinten und vorne aus hochfestem Composite Nylon
8. 9 und 11 Grad C-Hubs standardmäßig im Baukasten
9. Neue einstellbare Lenkungsplatte
10. Querlenkerhalter aus Aluminium mit Einstellbuchsen
11. Lenkservohalterung aus Aluminium
12. Velocity 2.0 Karosserie mit Heckspoiler

Specification	
Length:	385mm
Width:	245mm
Height:	170mm
Ground Clearance:	50mm
Wheelbase:	282 - 285mm
Track:	Vo 232mm / Hi 222mm
Gear Ratio:	Mitte 81/19 / Vo+Hi 42/17
Weight:	1698g (rennfertig)



## WARRANTY

Your SWORKz S14-3 kit warranty covers workmanship and manufacturing defects of the original and unmodified parts. Warranty claims resulting from crashes, abuse, improper operation, improper mounting, improper adjustment or lack of maintenance will not be honored.

Contact your local hobby shop or SWORKz distributor for all claims and questions. Claims must be well documented. All Claims are subject to expert examination and approval by SWORKz.



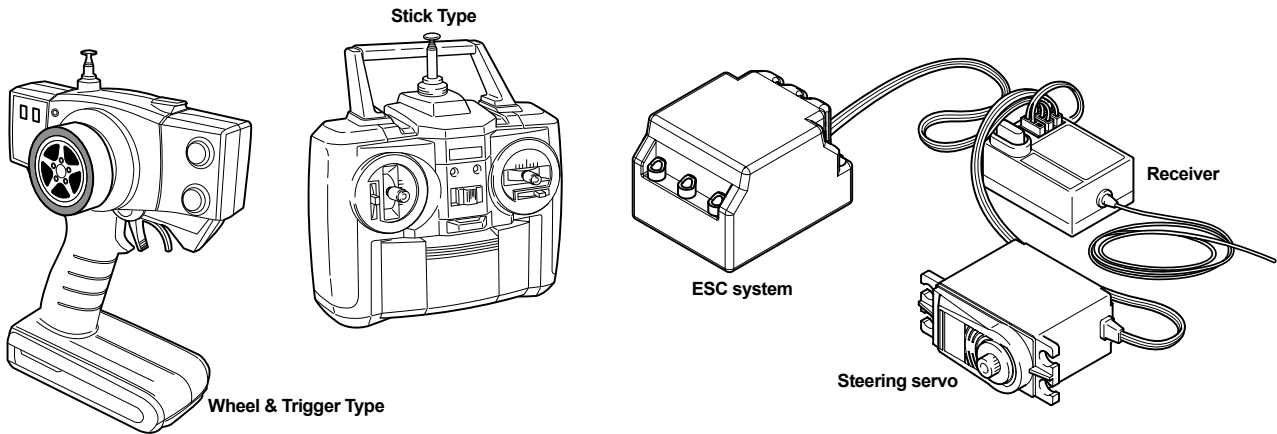
<b>Instruction</b>	<b>2-3</b>
<b>Warranty</b>	<b>4</b>
<b>Index</b>	<b>5</b>
<b>Required equipment for operation</b>	<b>6</b>
<b>Operation guide</b>	<b>7</b>
<b>Assembly steps</b>	<b>8-28</b>
<b>Set-up sheet</b>	<b>29-30</b>
<b>Blank set-up sheet</b>	<b>30-31</b>
<b>S14-3 key no. list</b>	<b>32-33</b>
<b>S14-3 spare part list</b>	<b>34</b>
<b>S14-3 option parts list</b>	<b>35</b>
<b>End cover</b>	<b>36</b>



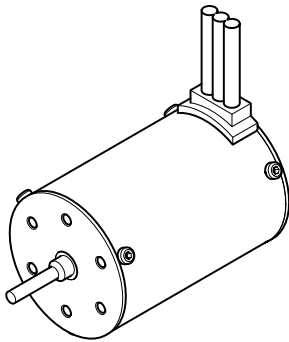
**This radio control racing car is not a toy!  
This high-performance R/C model is recommended for ages  
14 and older.**

# Required Equipment for Operation

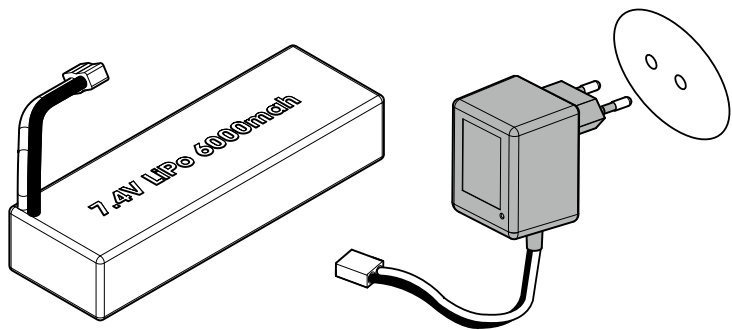
## Radio Gear



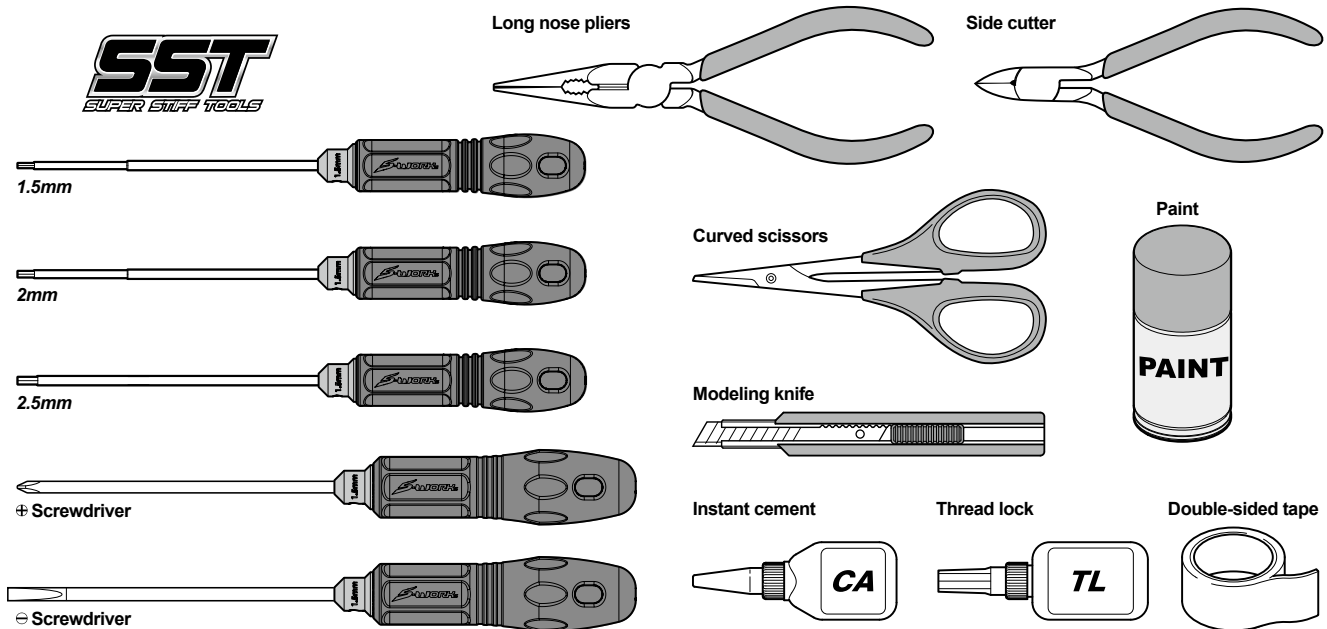
## Breshless Motor



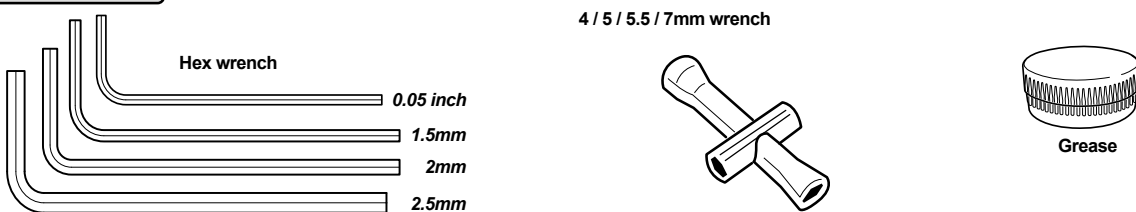
## Charger and LiPo Battery



## Tools Recommended



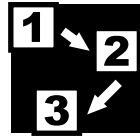
## Included items



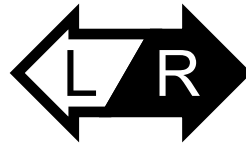
## Operation Guide



Assemble front and rear



Assemble in the specified order



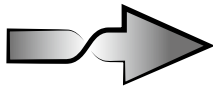
Assemble both left and right sides



Assemble for 2 sets



Assemble for 4 sets



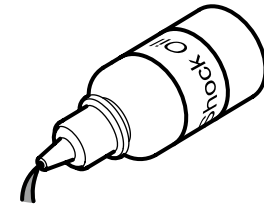
overturn



Thread Locking Compound



Grease



Pure Silicone Oil

## Safety Precautions

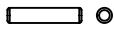
The SWORKz S14-3 is a high performance radio control model which needs to be operated with caution and common sense.

The S14-3 Pro Kit is not intended for children under the age of 14 without adult supervision. SWORKz shall not be held liable for any loss or damages, whether direct, indirect, act of nature, arising from abuse or misuse of this product or any other product required.

- The LiPO Battery can be dangerous if improperly handled.
- Always keep your LiPO Battery in a cool area and never use it near flames, sparks, or while smoking.
- Keep your LiPO Battery, and all other flammables, out of the reach of children.
- After running your car, all parts of the Motor and ESC can become extremely hot. Be careful not to touch these parts.
- This model is controlled by your radio controller and can be vulnerable to interference from many outside sources. This interference can cause a loss of control so it is necessary to operate this model in an open area to avoid personal or property damage. Always ensure turning on your radio first.
- Keep all the products included in the package out of the reach of children.
- This model contains many fast rotating parts. Never touch them during operation.
- Follow the instructions included with your radio gear.
- Never operate your model near people or property. The speed of this model has the potential to injure people and or damage property if misused.
- Always use original SWORKz spare parts and option parts.
- Always ensure that the buggy is in proper working condition before use.
- Always exercise caution when using any tools.

# BAG B

**1** **F/R** **x2**



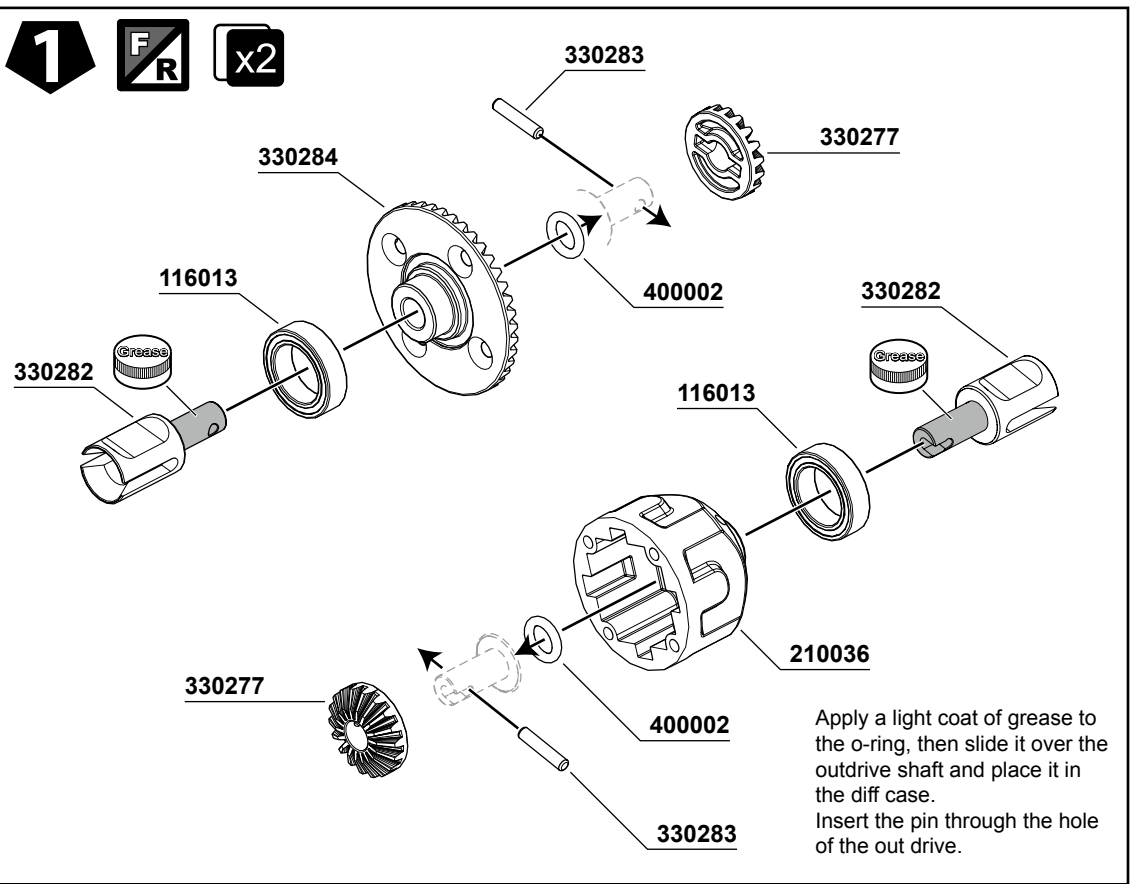
**330283**  
Pin M2x10mm x4



**400002**  
O-ring S5 4.8x1.5 x4



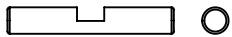
**116013**  
Ball Bearing 10x15x4mm x4



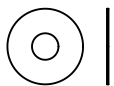
**2** **F/R** **x2**



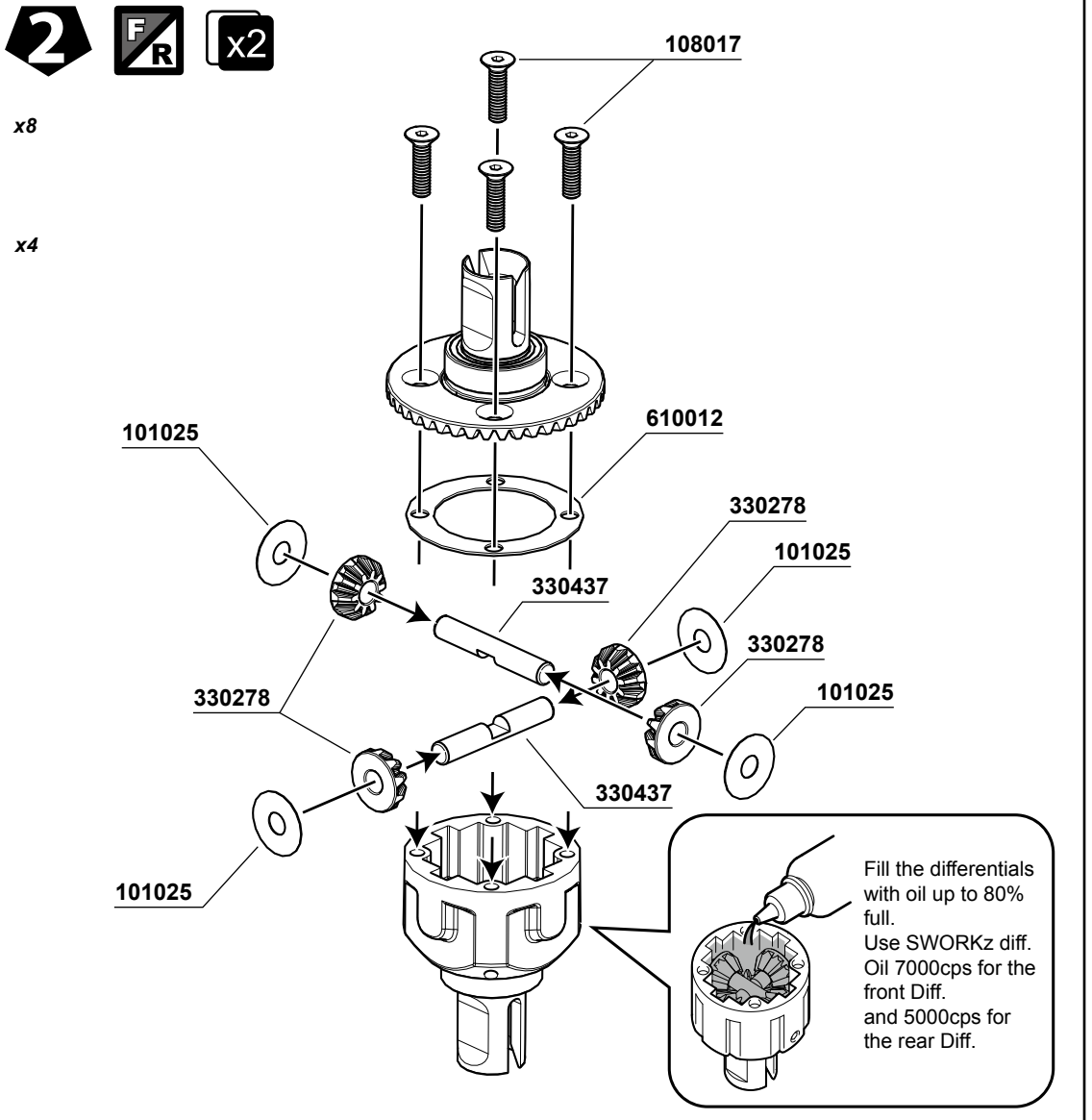
**108017**  
M2.6x10mm FH/ST HEX Screw x8



**334037**  
S14-3 Aluminum Bevel Gear Pin x4



**101025**  
Washer 3.5X10X0.1mm x8

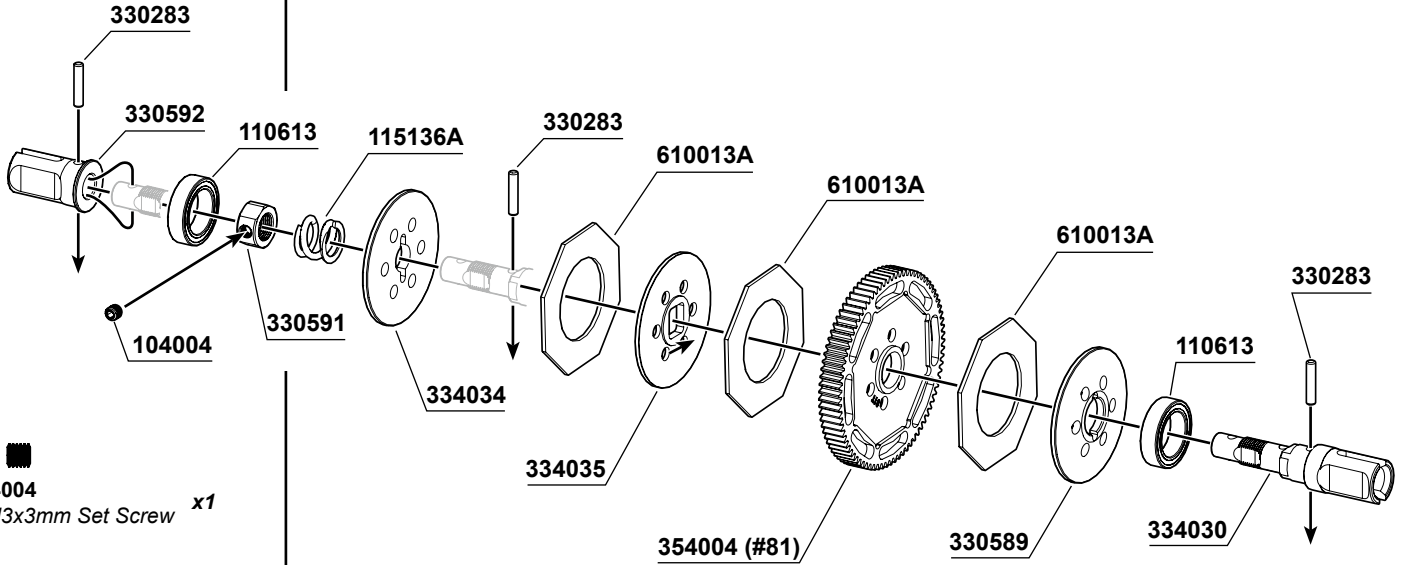




# BAG C

# 3

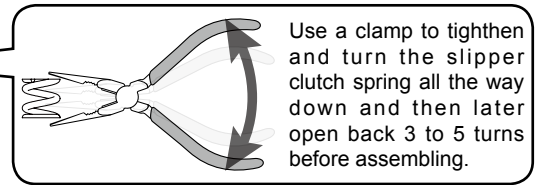
330283  
S104 Pin M2.0x10mm x3



104004  
M3x3mm Set Screw x1

116013  
Ball Bearing 10x15x4mm x2

115136A  
S14-3 Center Slipper Clutch Spring (1.3mm)(SL) x1



# BAG D

# 4 Front

Pro Tip:  
Before installing the M4x4 set screw (104011), remember to clean the set screw and center driver joint (3304003) first. Then apply TLC on the set screw.

104011  
M4x4mm Set Screw (Flat Bottom) x1

108001  
M3x12mm FH/ST HEX Screw x4

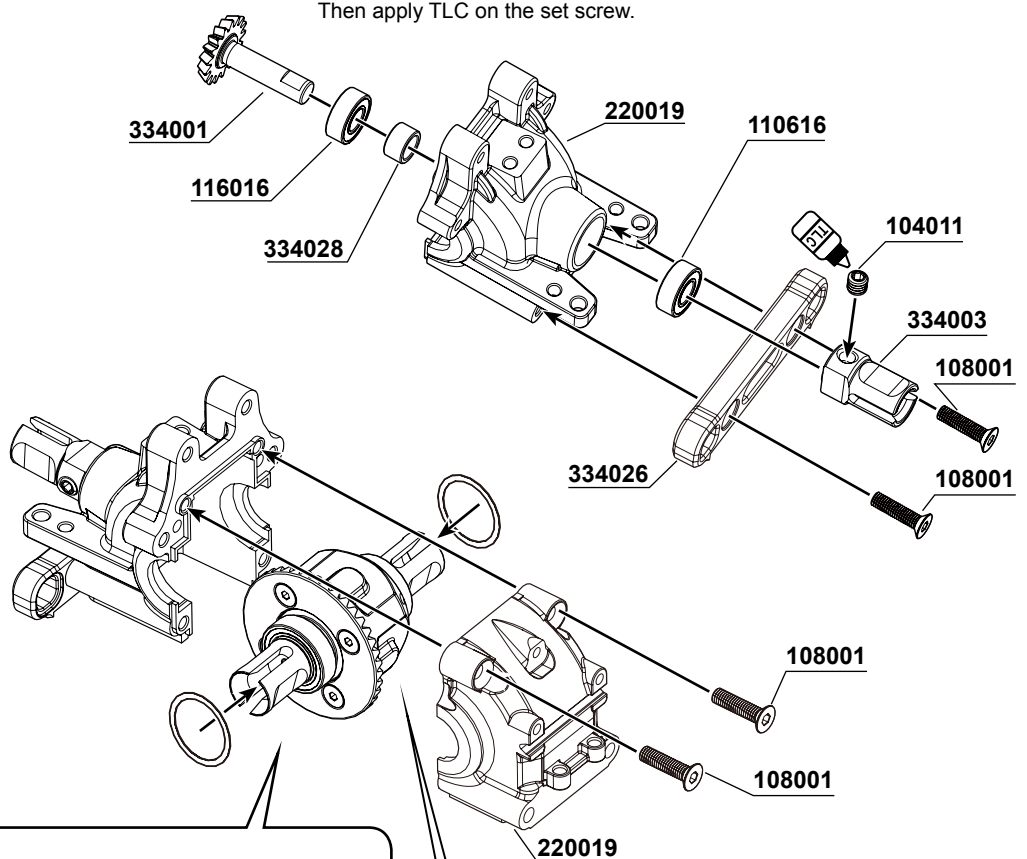
116016  
Ball Bearing 5x11x4mm x2

334028  
S14-3 Pinion Gear Stopper 5x7x4mm x2

Share with step no.5

101023  
10x12x0.1mm S104 Shim x2

101024  
10x12x0.2mm S104 Shim x4



Note:  
**SHIM**  
Please use 10x12x0.1mm (101023) or 10x12x0.2mm (101024) shims to adjust the play between the crown gear and pinion gear.

Apply a light coat of grease to the crown gear before assembly the gear box.



**104011**  
M4x4mm Set Screw (Flat Bottom) x1



**108001**  
M3x12mm FH/ST HEX Screw x4

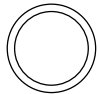


**116016**  
Ball Bearing 5x11x4mm x2

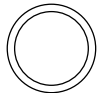


**334028**  
S14-3 Pinion Gear Stopper 5x7x4mm x2

↓ Share with step no.4 ↓



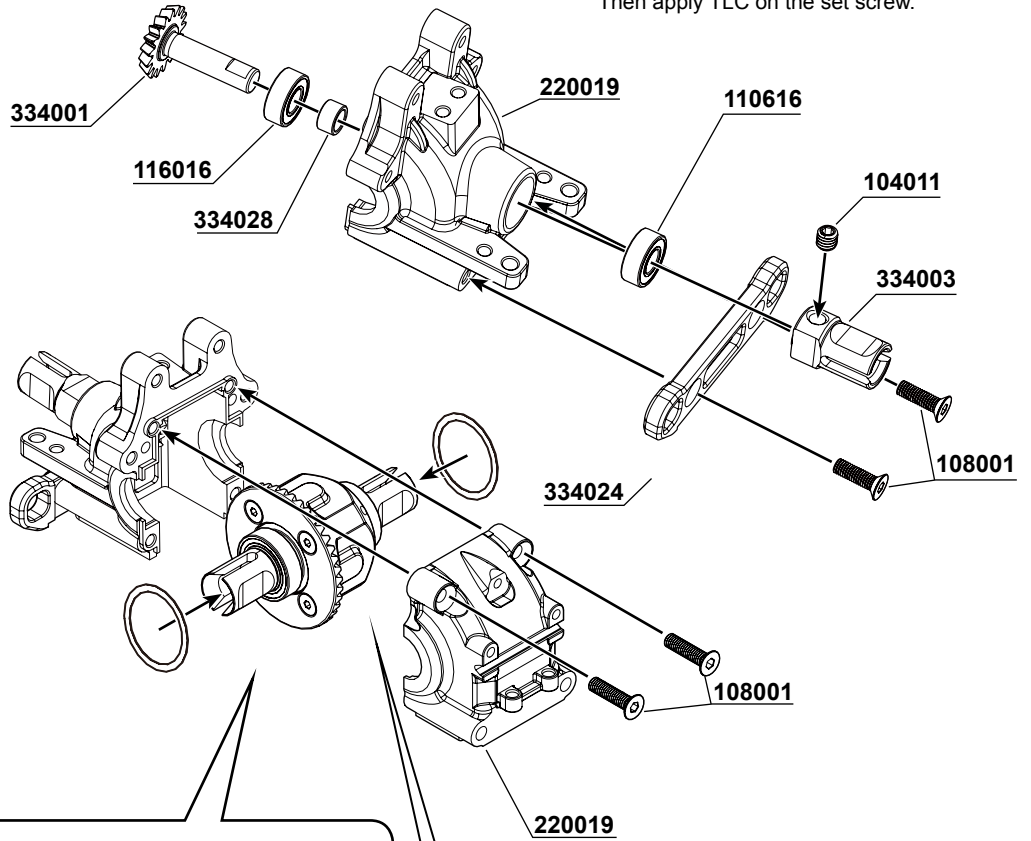
**101023**  
10x12x0.1mm S104 Shim x2



**101024**  
10x12x0.2mm S104 Shim x4

# 5 Rear

Pro Tip:  
Before installing the M4x4 set screw (104011), remember to clean the set screw and center driver joint (334003) first. Then apply TLC on the set screw.



Note:  
**SHIM**  
Please use 10x12x0.1mm (101023) or 10x12x0.2mm (101024) shims to adjust the play between the crown gear and pinion gear.

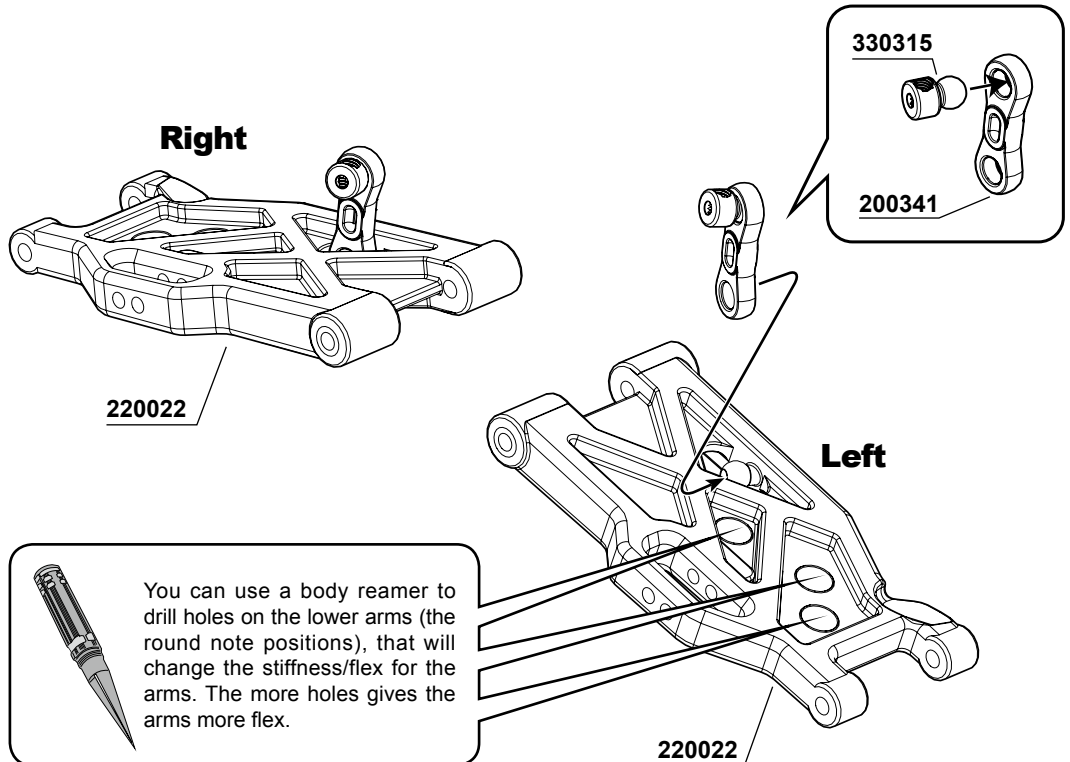
Apply a light coat of grease to the crown gear before assembly the gear box.

# BAG E

# 6 Front x2



**330315**  
Sway Bar Ball Stud x2

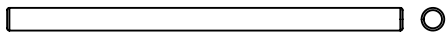


You can use a body reamer to drill holes on the lower arms (the round note positions), that will change the stiffness/flex for the arms. The more holes gives the arms more flex.

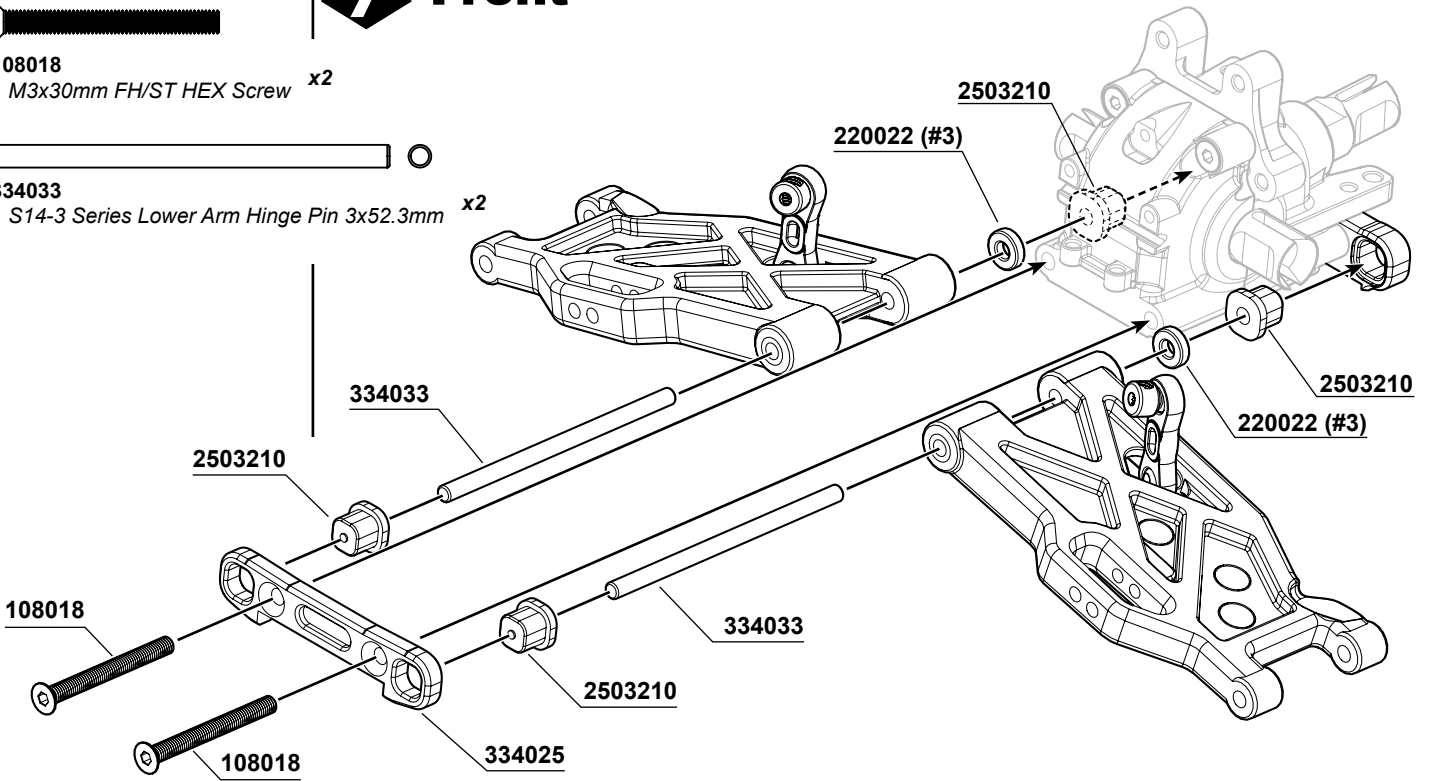
# 7 Front



**108018**  
M3x30mm FH/ST HEX Screw x2



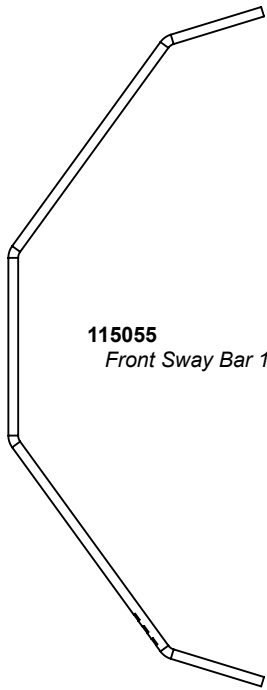
**334033**  
S14-3 Series Lower Arm Hinge Pin 3x52.3mm x2



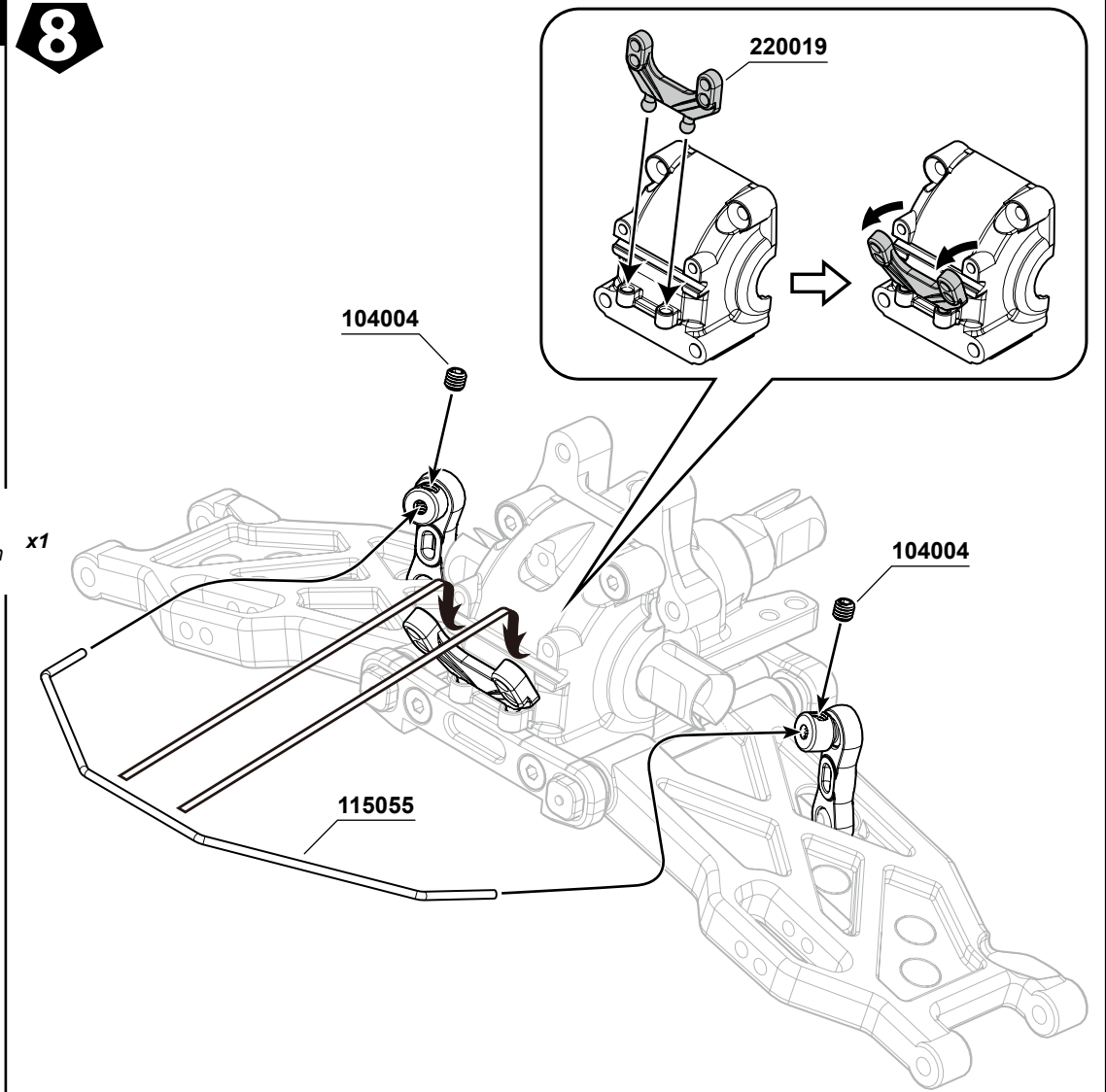
# BAG E

# 8

**104004**  
M3x3mm Set Screw x2



**115055**  
Front Sway Bar 1.3mm x1



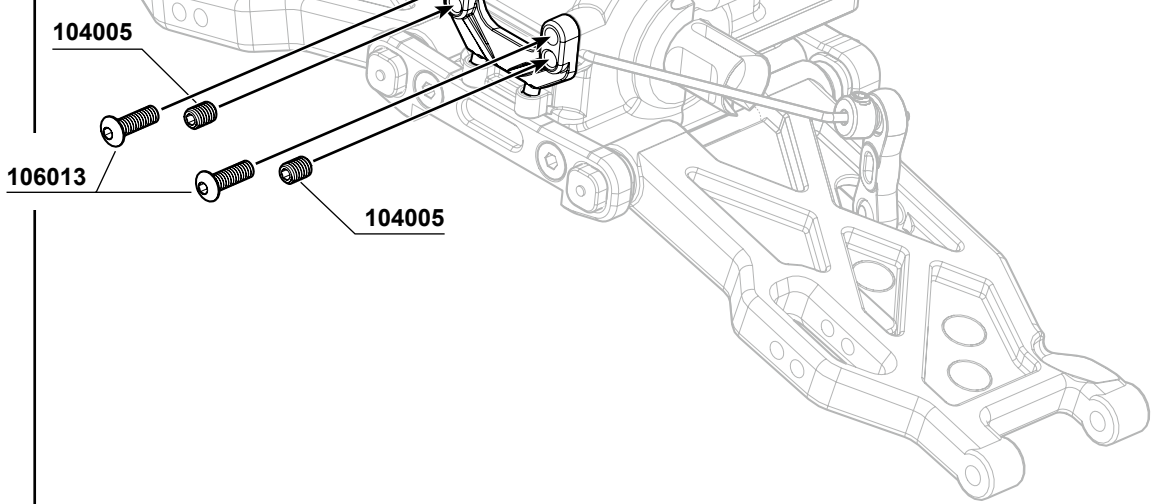
**9**



**106013**  
M2.5x8mmH ex Socket OH/TPScrew x2



**104005**  
M3x4mm Set Screw x2



**BAG E**

**10**

**106002**

**106002**

**344005**

**106001**

**2501801**

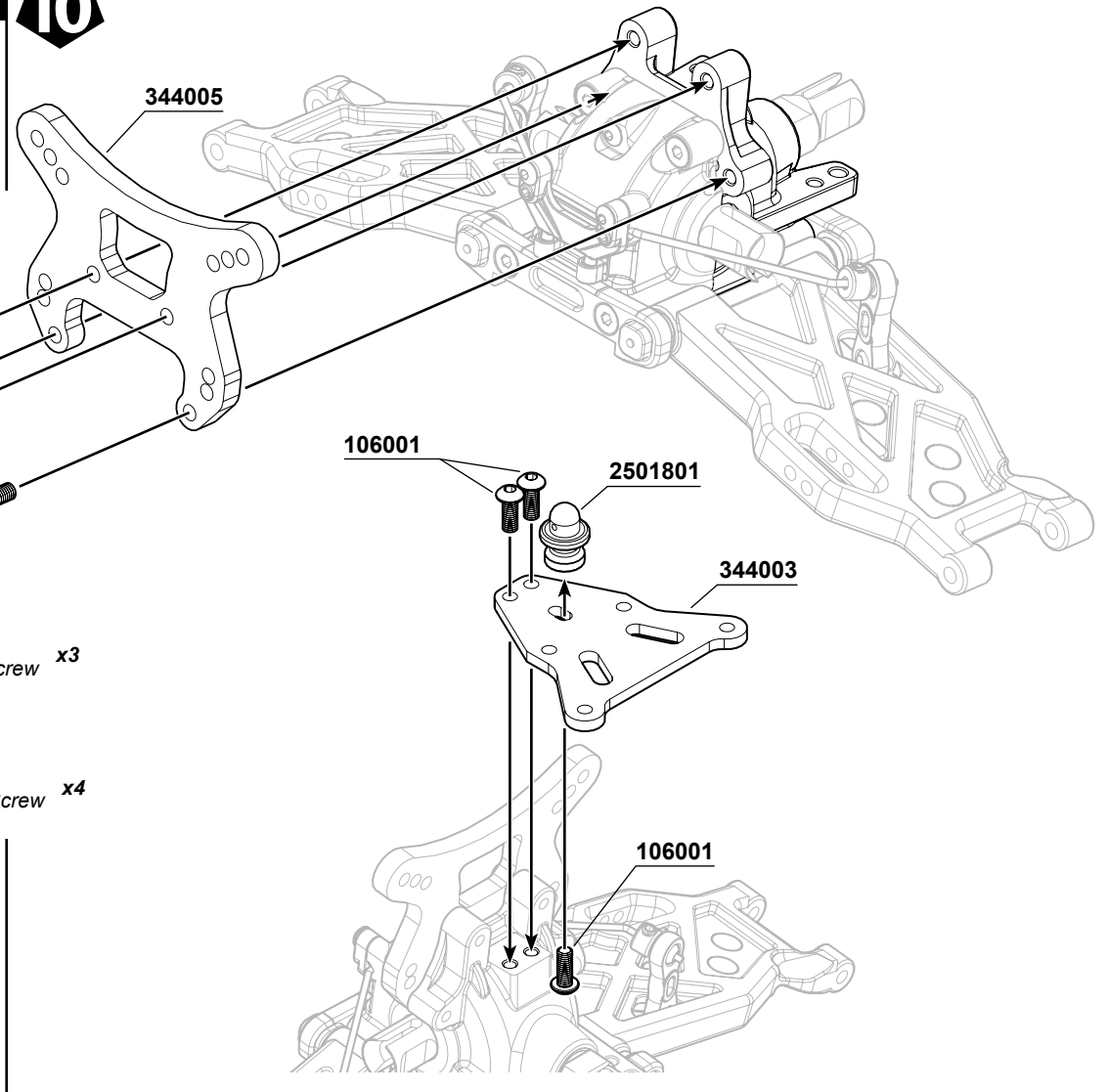
**344003**



**106001**  
M3x8mm Hex Socket OH/TP Screw x3



**106002**  
M3x10mm Hex Socket OH/TP Screw x4

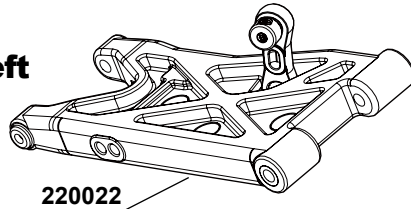




330315  
Sway Bar Ball Stud x2

# 11 Rear x2

Left



220022

330315

200341



You can use a body reamer to drill holes on the lower arms (the round note positions), that will change the stiffness/flex for the arms. The more holes gives the arms more flex.

220022

Right

## BAG E

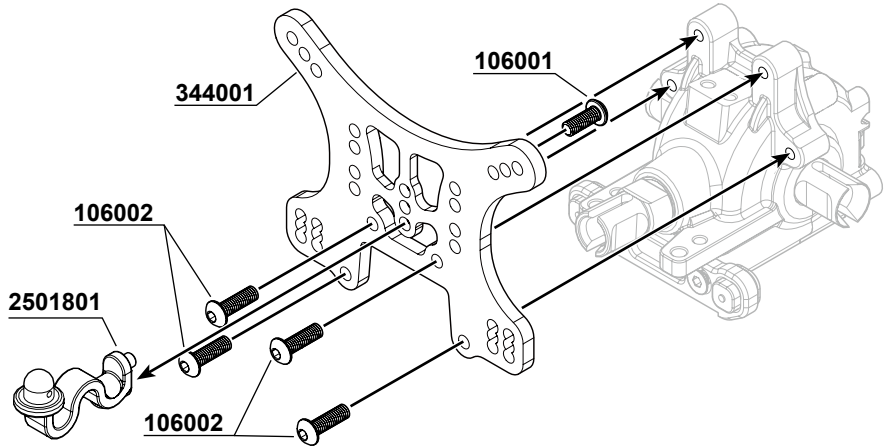
# 12



106001  
M3x8mm Hex Socket OH/TP Screw x1



106002  
M3x10mm Hex Socket OH/TP Screw x4



344001

106001

106002

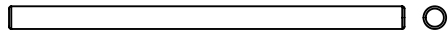
2501801

106002

# 13

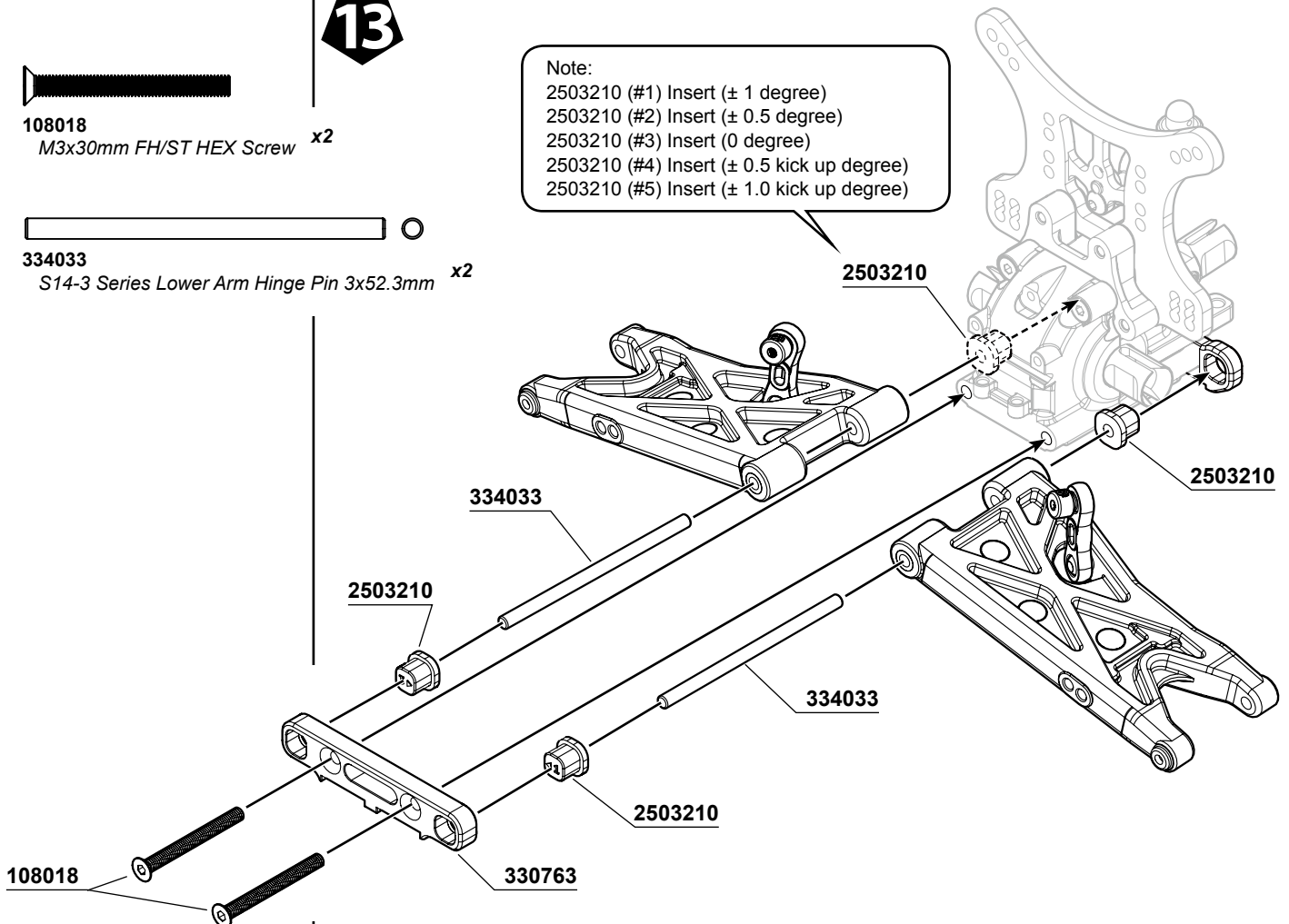


108018  
M3x30mm FH/ST HEX Screw x2



334033  
S14-3 Series Lower Arm Hinge Pin 3x52.3mm x2

Note:  
2503210 (#1) Insert (± 1 degree)  
2503210 (#2) Insert (± 0.5 degree)  
2503210 (#3) Insert (0 degree)  
2503210 (#4) Insert (± 0.5 kick up degree)  
2503210 (#5) Insert (± 1.0 kick up degree)



2503210

2503210

334033

2503210

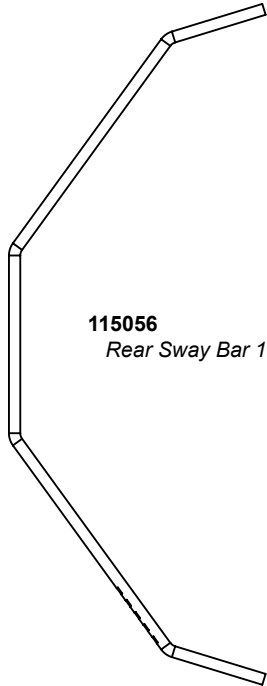
334033

2503210

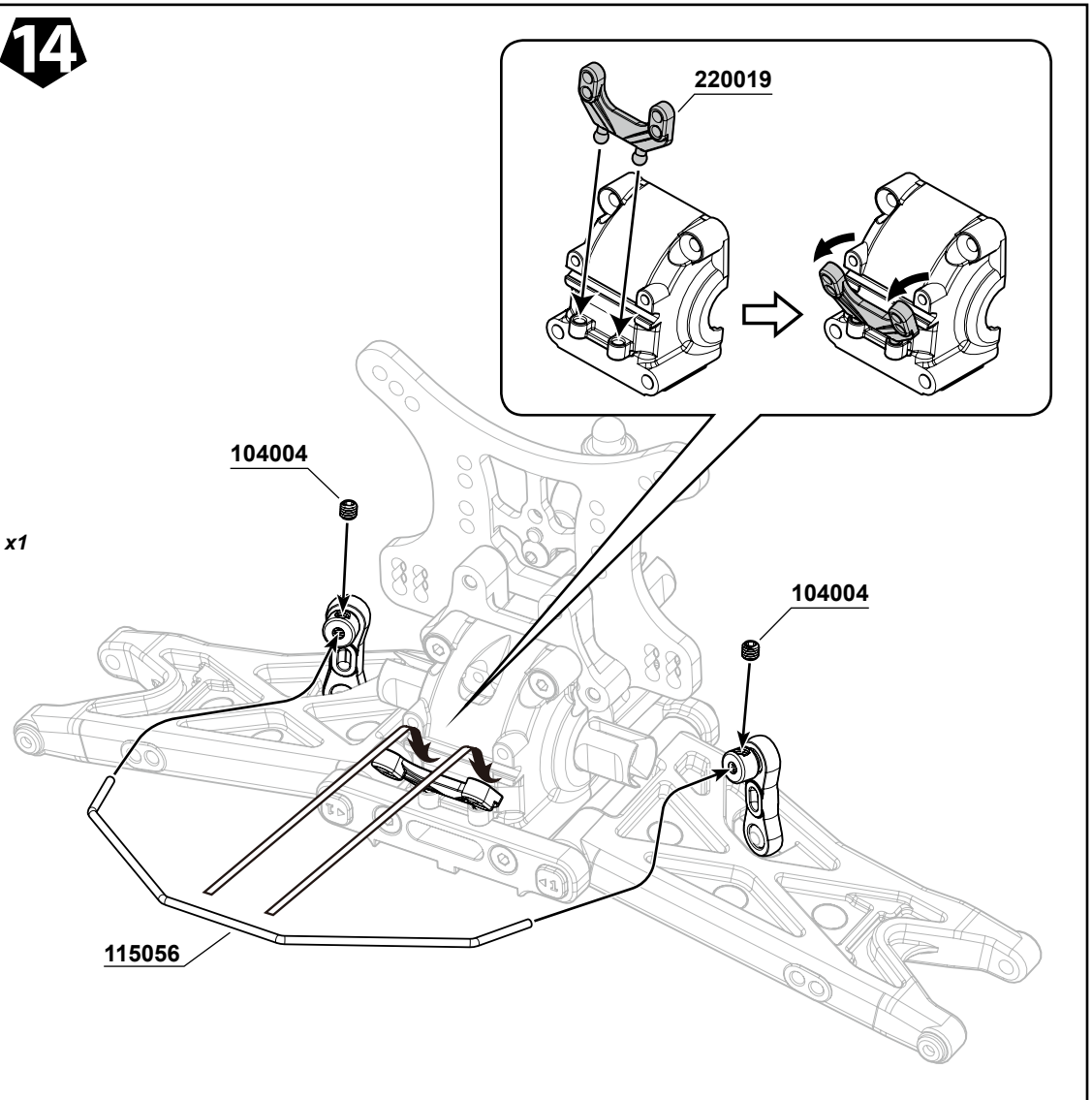
330763

108018

- ■
- 104004  
M3x3mm Set Screw x2



115056  
Rear Sway Bar 1.5mm x1



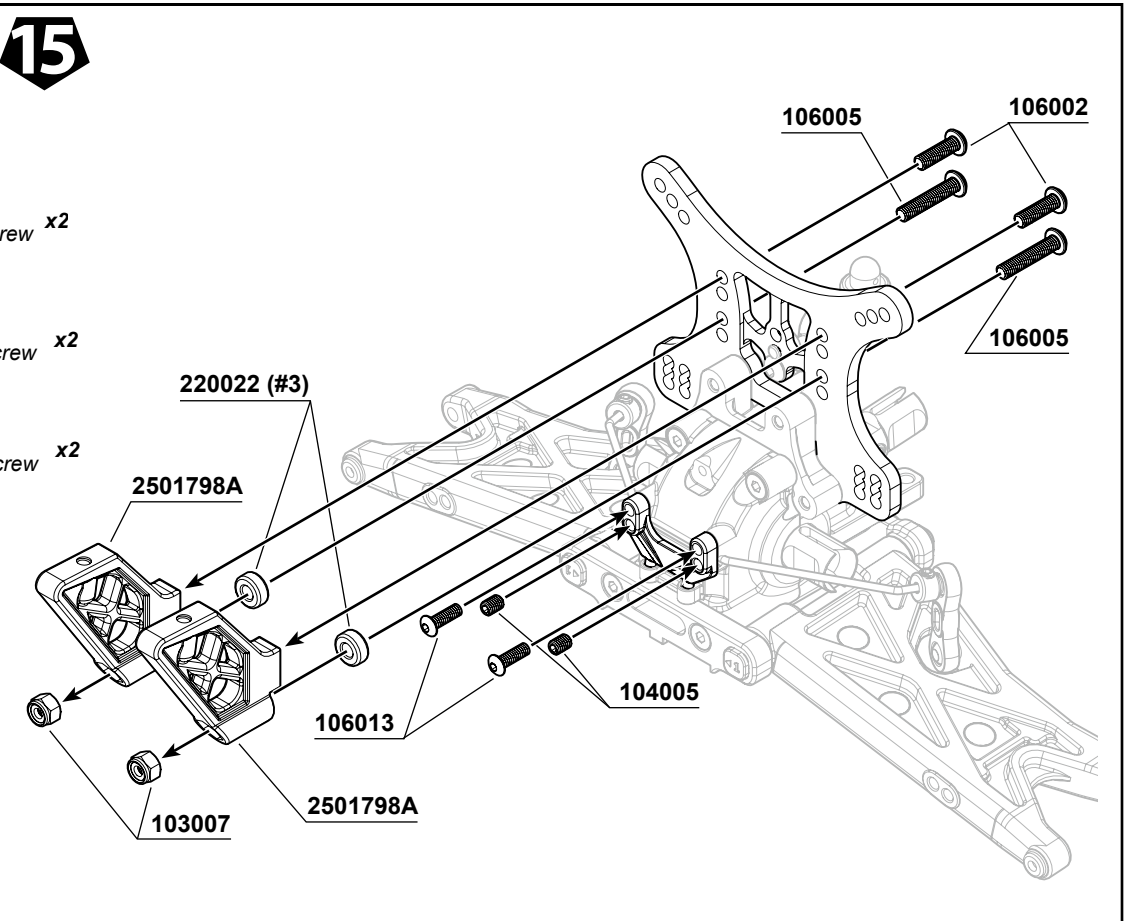
- ■
- 104005  
M3x4mm Set Screw x2

- 
- 106013  
M2.5x8mmH ex Socket OH/TPScrew x2

- 
- 106002  
M3x10mm Hex Socket OH/TP Screw x2

- 
- 106005  
M3x15mm Hex Scket OH/TP Screw x2

- ○
- 103007  
M3mm Nut Lock Thim (BK) x2



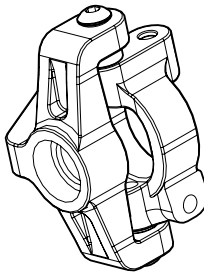


**106008**  
M3x12mm Hex Soket OH/TP Screw x2

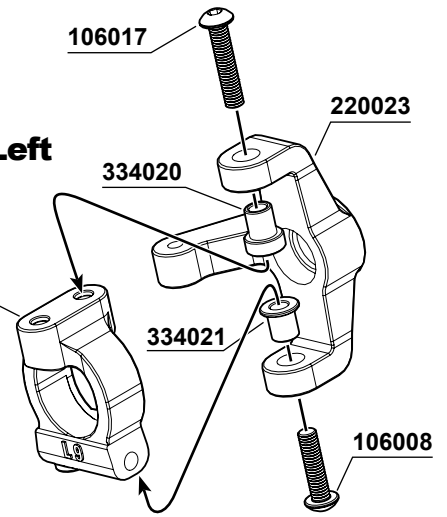


**106017**  
M3x14mm Hex Soket OH/TP Screw x2

**Right**



**Left**



220024-9  
or  
220024-11

220024-9 SWORKz 1/10 S14-3 Front C Hub Set (9 Degree)  
220024-11 SWORKz 1/10 S143C Front C Hub Set (11 Degree)



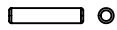
**116010**  
Ball Bearing 5x10x4mm x2



**116016**  
Ball Bearing 5x11x4mm x2



**106014**  
M2.0x6mm Hex Socket OH/TP Screw x2



**330283**  
S104 Pin M2.0x10mm x2



**334029**  
S14-3 Wheel Hub Ball Bearing Stopper 5x7x1mm x2

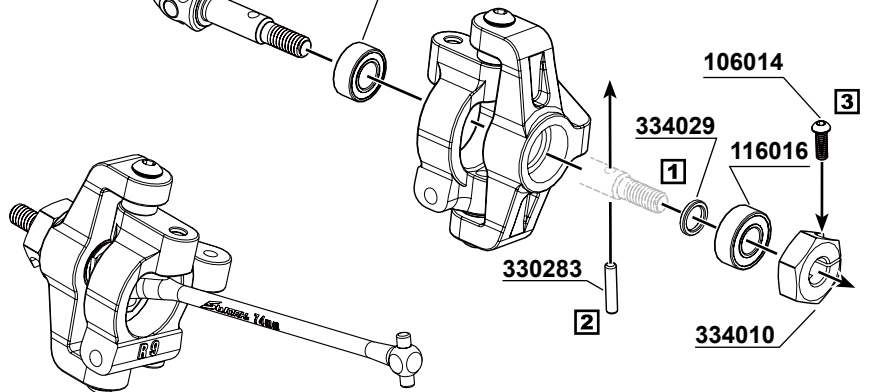


**214001**  
S14-3 Axle Universal Cross Drive Shaft Set 74mm x2

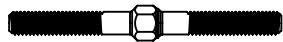
**Left**

214001

116010

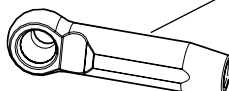


**Right**

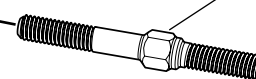


**330155**  
Steering Servo Turnbuckle M3x30mm x2

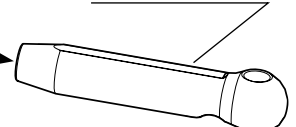
2502401BK (#4)



330155

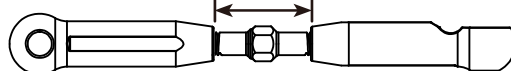


2502401BK (#5)



**1:1**

12.65mm



104005  
M3x4mm Set Screw x2

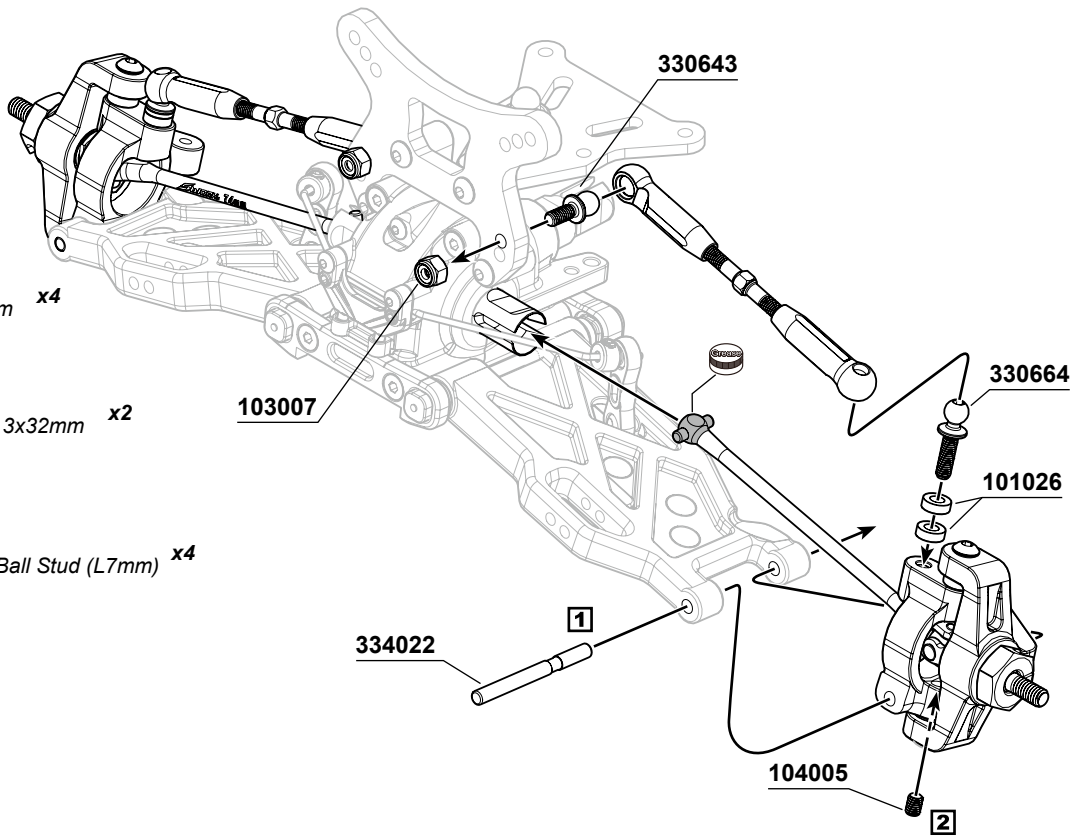
103007  
M3mm Nut Lock Thim (BK) x2

101026  
S102 Aluminum Washer 3X6X1.5mm x4

334022  
S14-3 Series Lower Arm Hinge Pin 3x32mm x2

330643  
S104 EVO Steering Linkage 5mm Ball Stud (L7mm) x4

330664  
S102 5mm Ball Stud (L10mm) x2



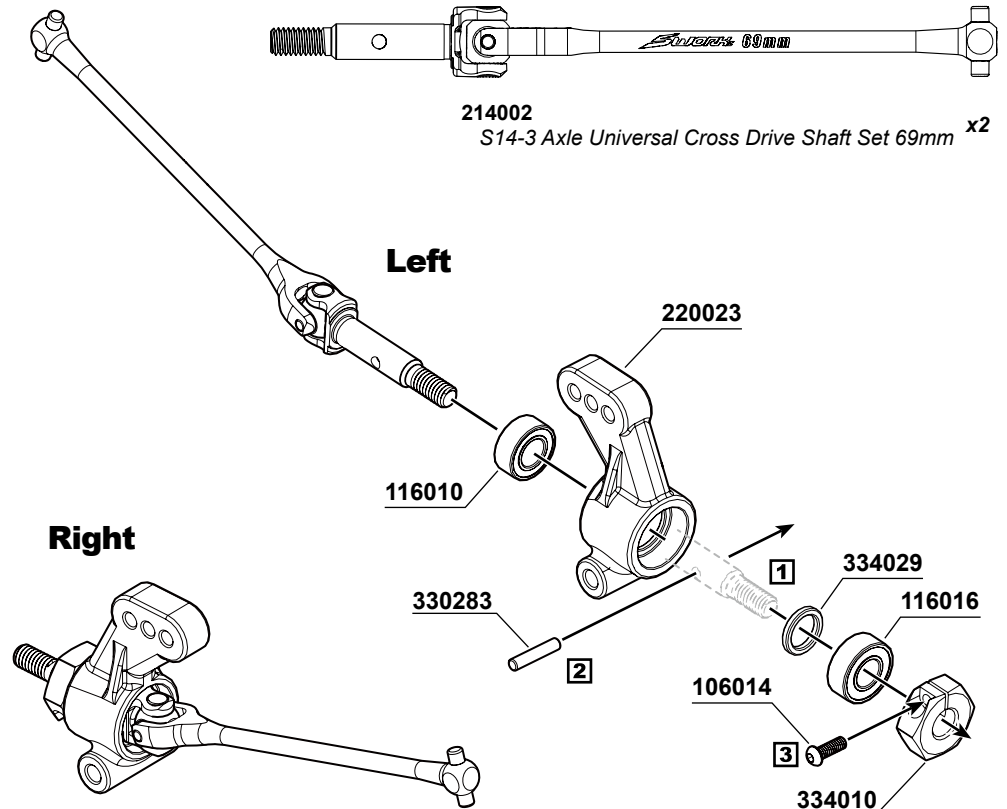
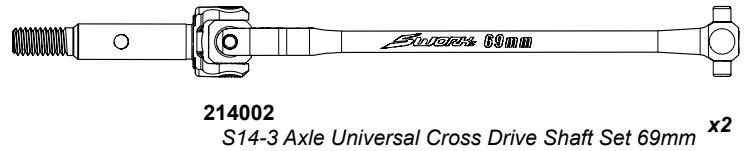
330283  
S104 Pin M2.0x10mm x2

116010  
Ball Bearing 5x10x4mm x2

116016  
Ball Bearing 5x11x4mm x2

106014  
M2.0x6mm Hex Socket OH/TP Screw x2

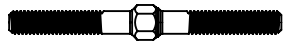
334029  
S14-3 Wheel Hub Ball Bearing Stopper 5x7x1mm x2





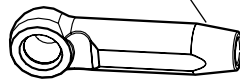
# BAG F

**21** **x2**

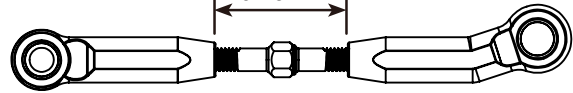


**330155**  
Rear Upper Sus. Arm Turnbuckles **x2**

**2502401BK (#4)**



16.75 mm



**1:1**

**330155**

**2502401BK (#10 #11)**



**106020**  
M2.5x5mm Hex Socket OH/TP Screw **x2**

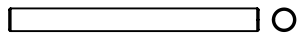
**22** **x2**



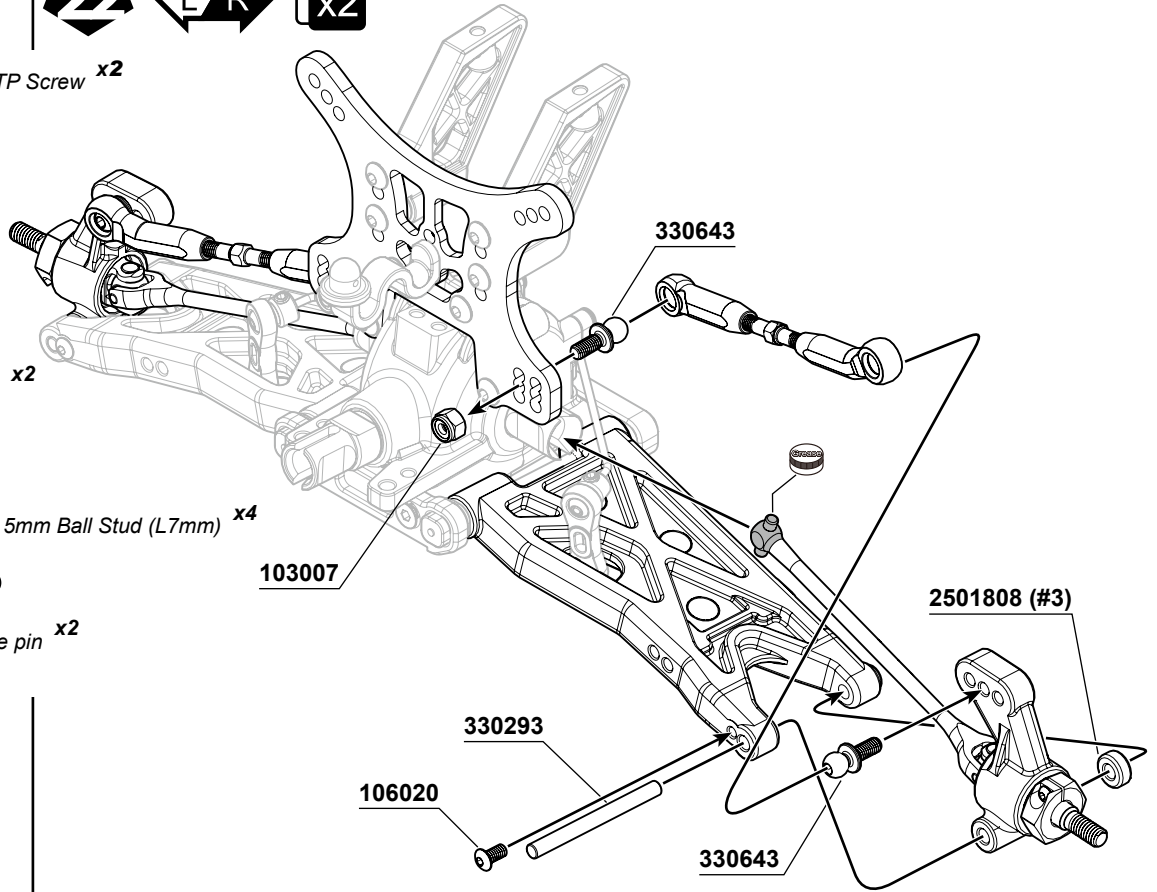
**103007**  
M3mm Nut Lock Thim (BK) **x2**



**330643**  
S104 EVO Steering Linkage 5mm Ball Stud (L7mm) **x4**



**330293**  
S104 Rear Hub Carrier Hinge pin **x2**



# BAG G

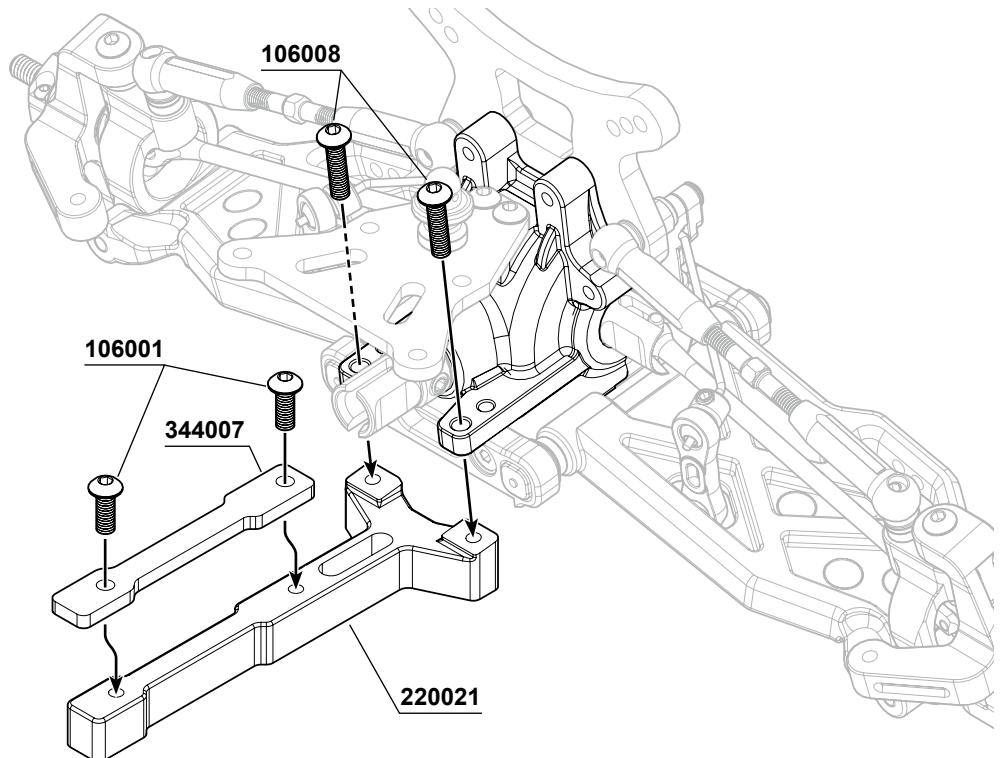
**23**











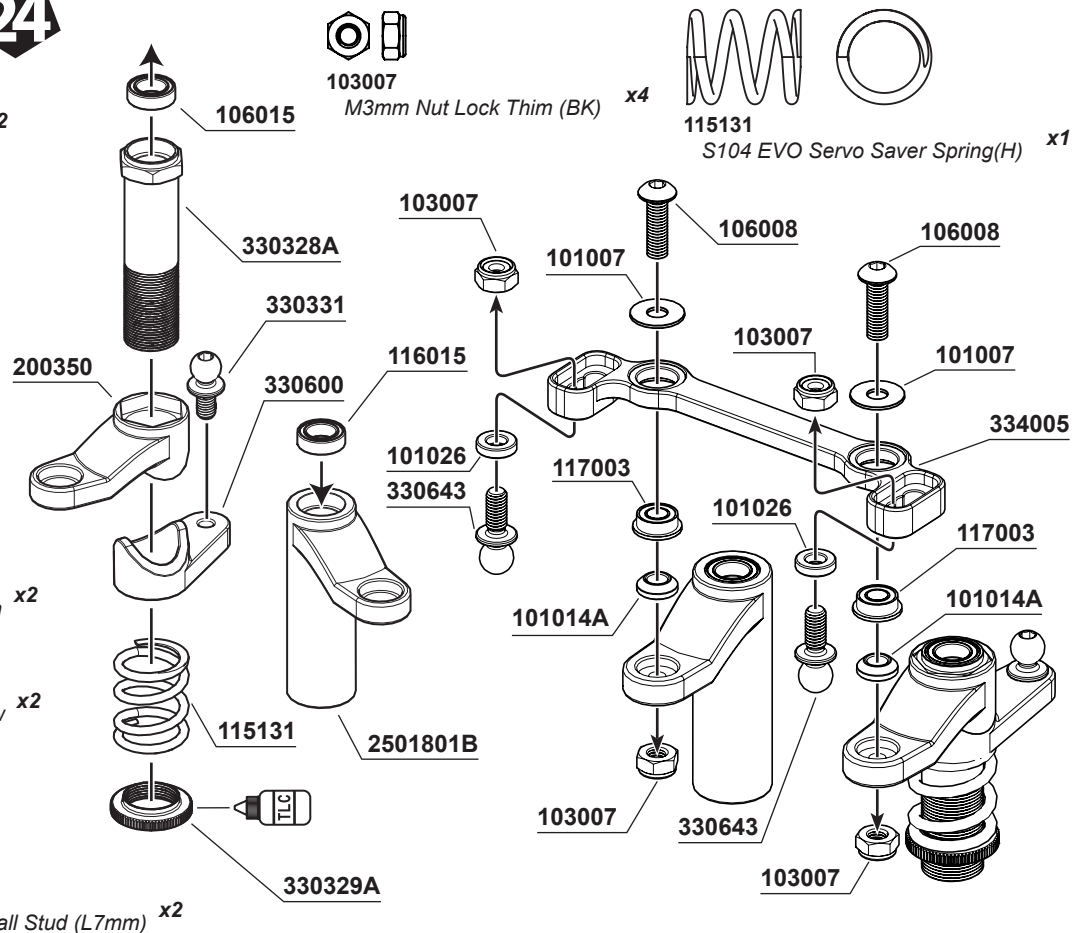
**106001**  
M3x8mm Hex Socket OH/TP Screw **x2**




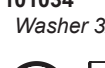
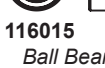



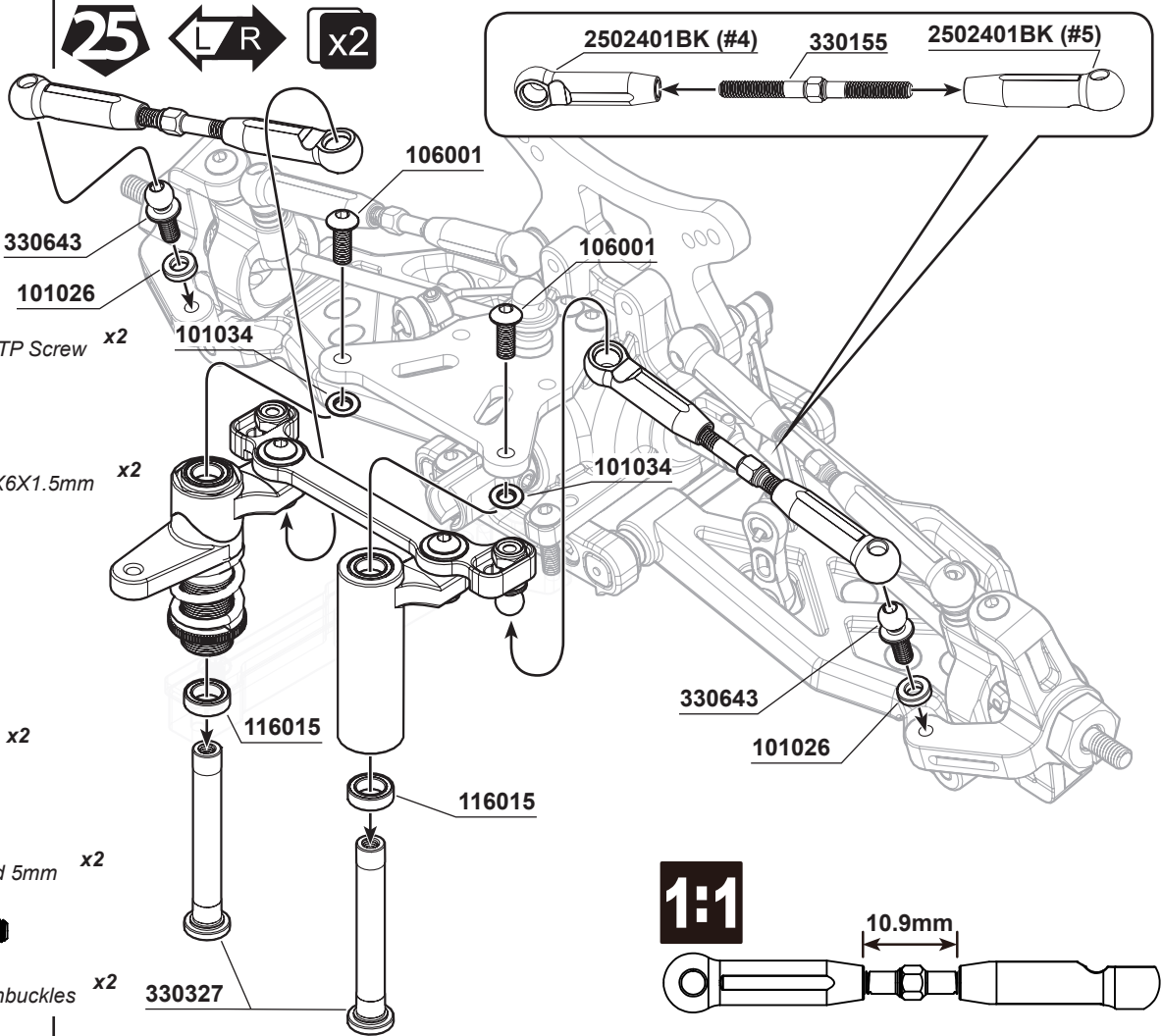
**106008**  
M3x12mm Hex Socket OH/TP Screw **x2**



-  **117003**  
Flange Ball Bearing 3x6x2.5mm x2
-  **116015**  
Ball Bearing 5x8x2.5mm x2
-  **101007**  
Washer 3x8x0.5mm x2
-  **101014A**  
M3 Pivot Ball Bushing (GM) x2
-  **101026**  
S102 Aluminum Washer 3X6X1.5mm x2
-  **106008**  
M3x12mm Hex Somet OH/TP Screw x2
-  **330331**  
Steering Linkage Ball Stud 5mm x1
-  **330643**  
S104 EVO Steering Linkage 5mm Ball Stud (L7mm) x2



-  **106001**  
M3x8mm Hex Socket OH/TP Screw x2
-  **101026**  
S102 Aluminum Washer 3X6X1.5mm x2
-  **101034**  
Washer 3X5X0.1mm x2
-  **116015**  
Ball Bearing 5x8x2.5mm x2
-  **330643**  
Steering Linkage Ball Stud 5mm x2
-  **330155**  
Rear Upper Sus. Arm Turnbuckles x2

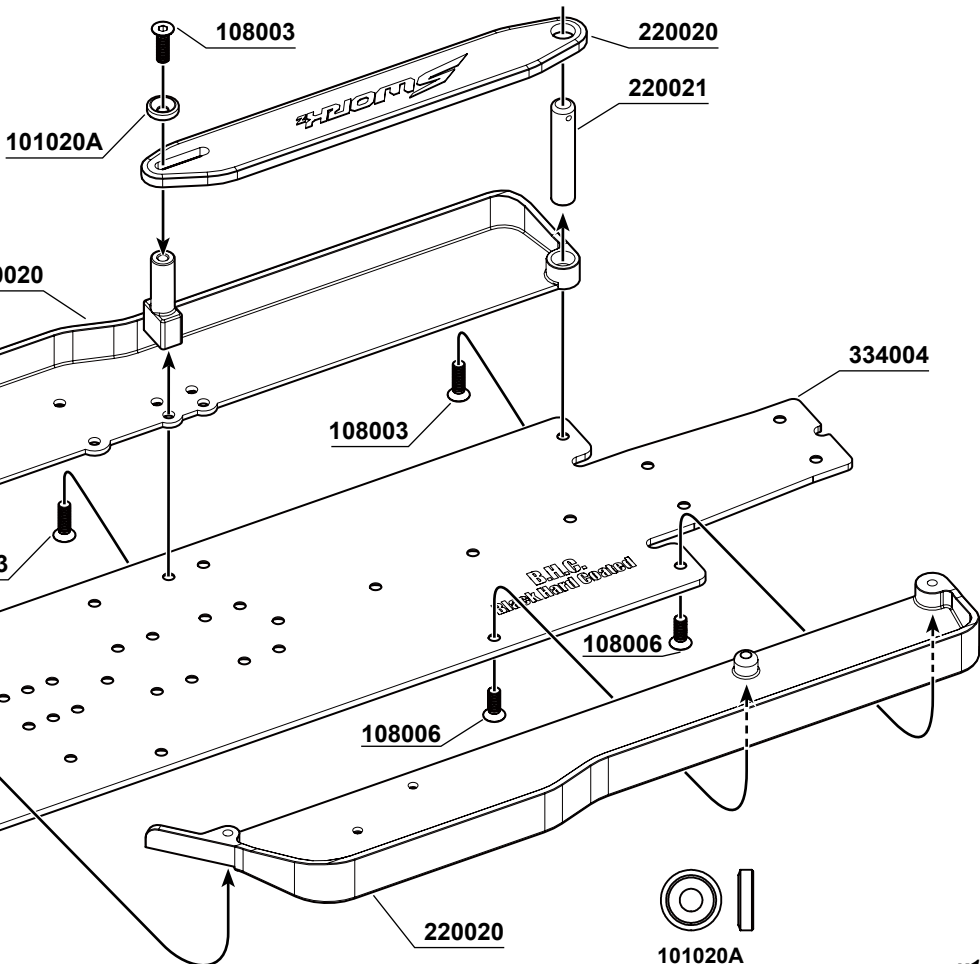




**108003**  
M3x10mm FH/ST HEX Screw x3



**108006**  
M3x8mm FH/ST HEX Screw x4



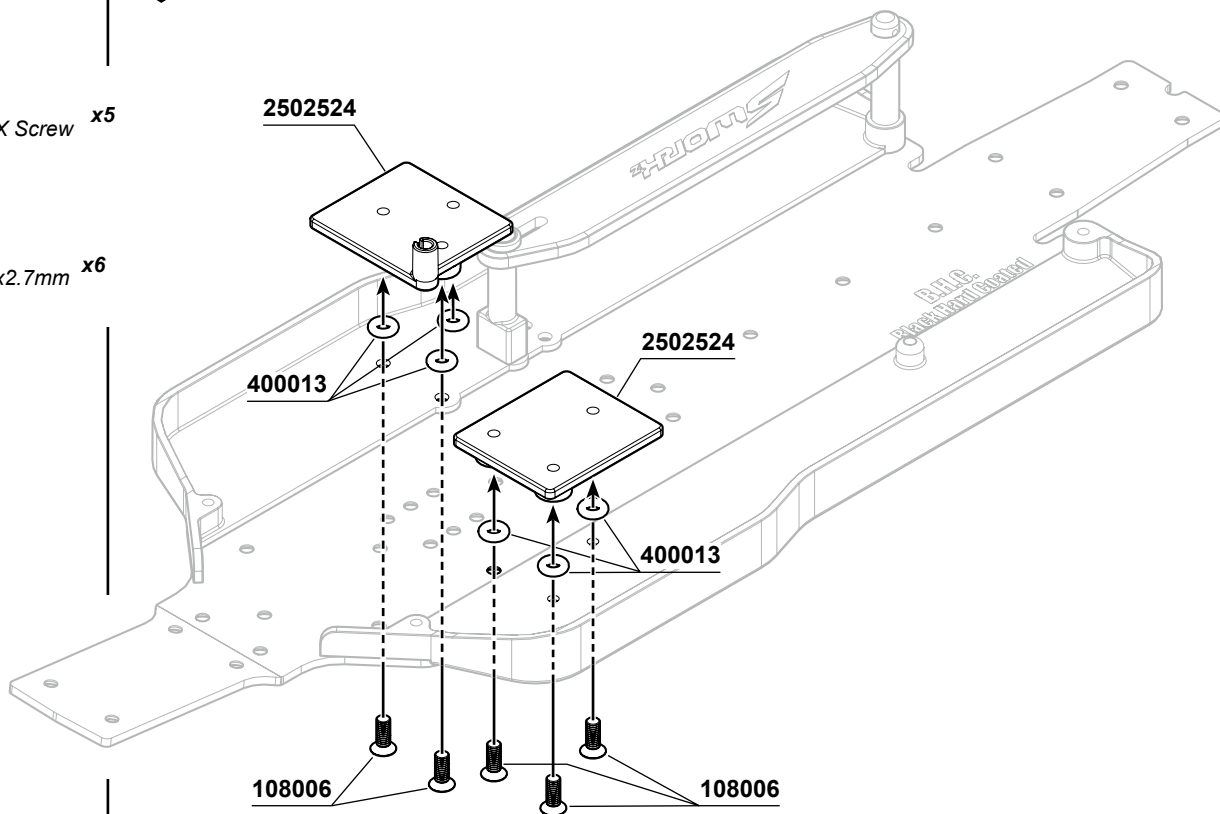
  
**101020A**  
3mm Countersunk Washers x1



**108006**  
M3x8mm FH/ST HEX Screw x5



**400013**  
Shock Seal O-ring 2x2.7mm x6





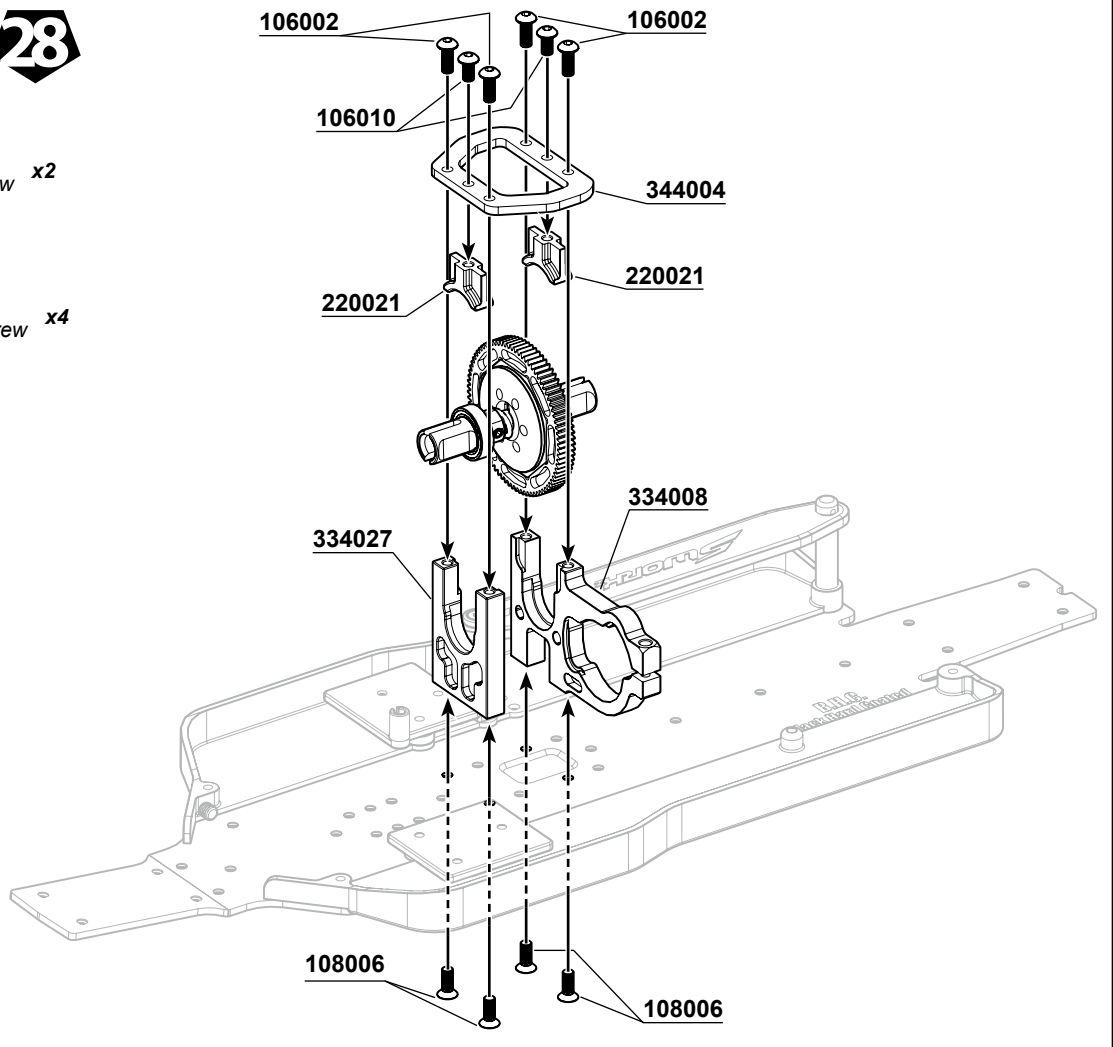
**106010**  
M3x6mm Hex Socket OH/TP Screw x2



**106002**  
M3x10mm Hex Socket OH/TP Screw x4



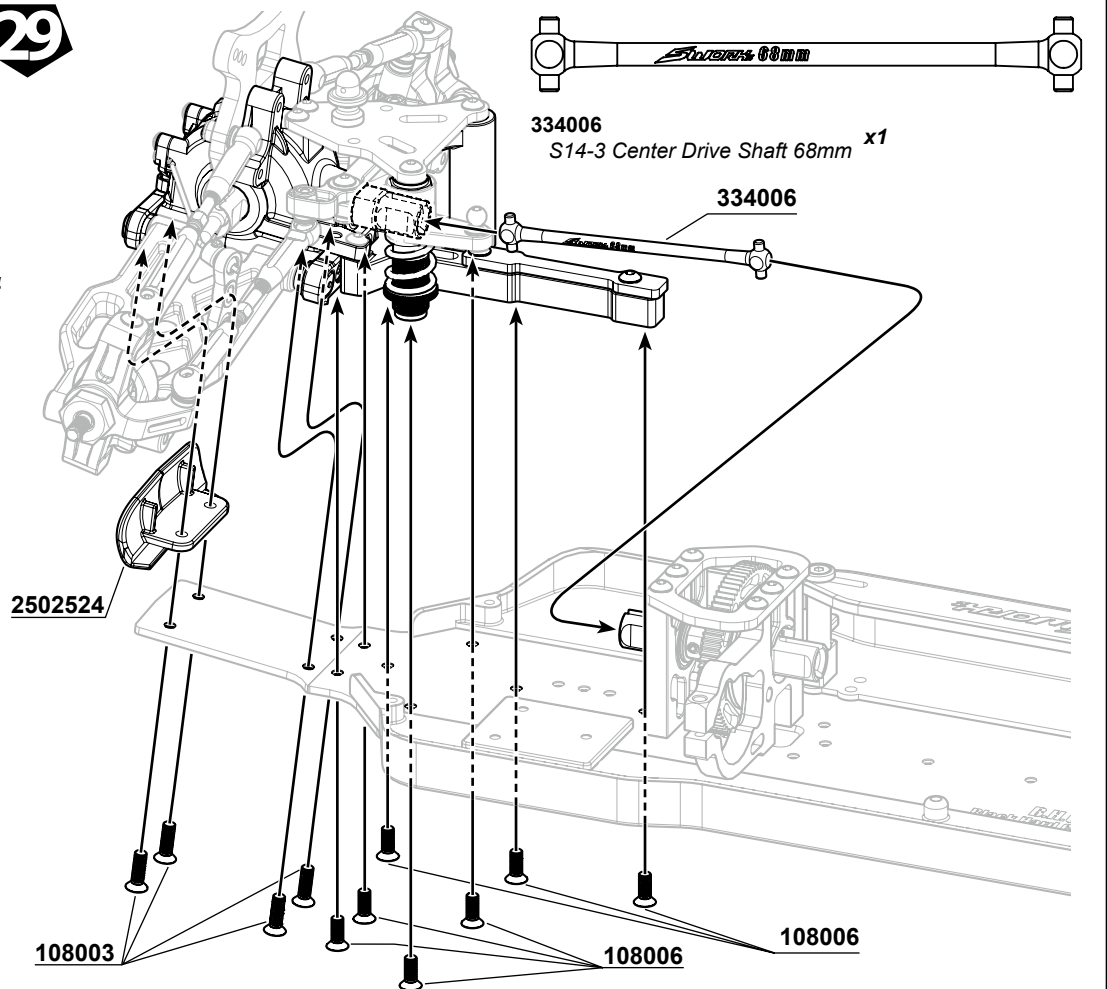
**108006**  
M3x8mm FH/ST HEX Screw x4

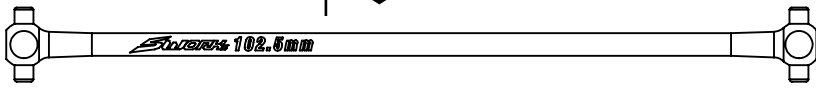


**108006**  
M3x8mm FH/ST HEX Screw x7

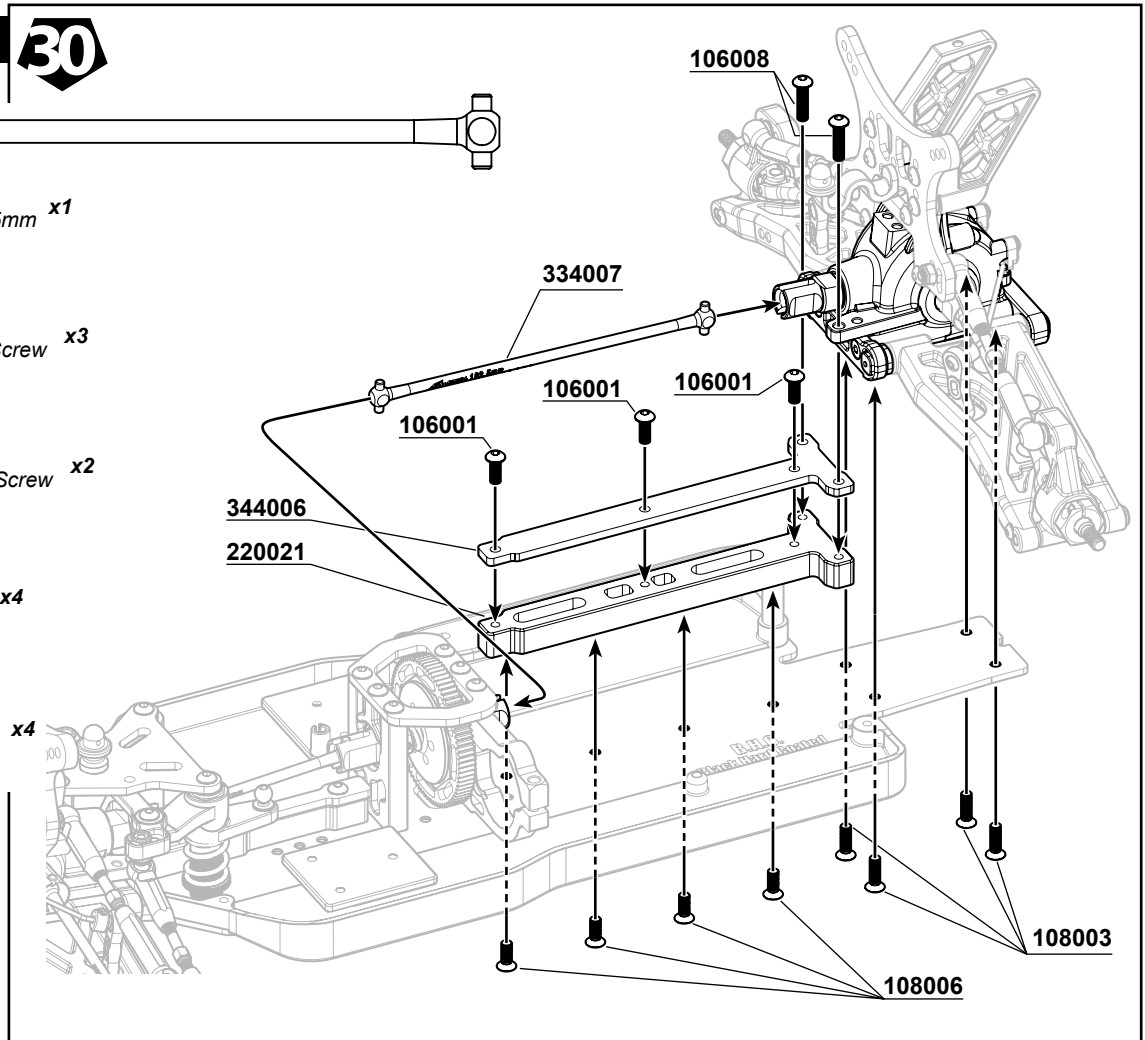


**108003**  
M3x10mm FH/ST HEX Screw x4





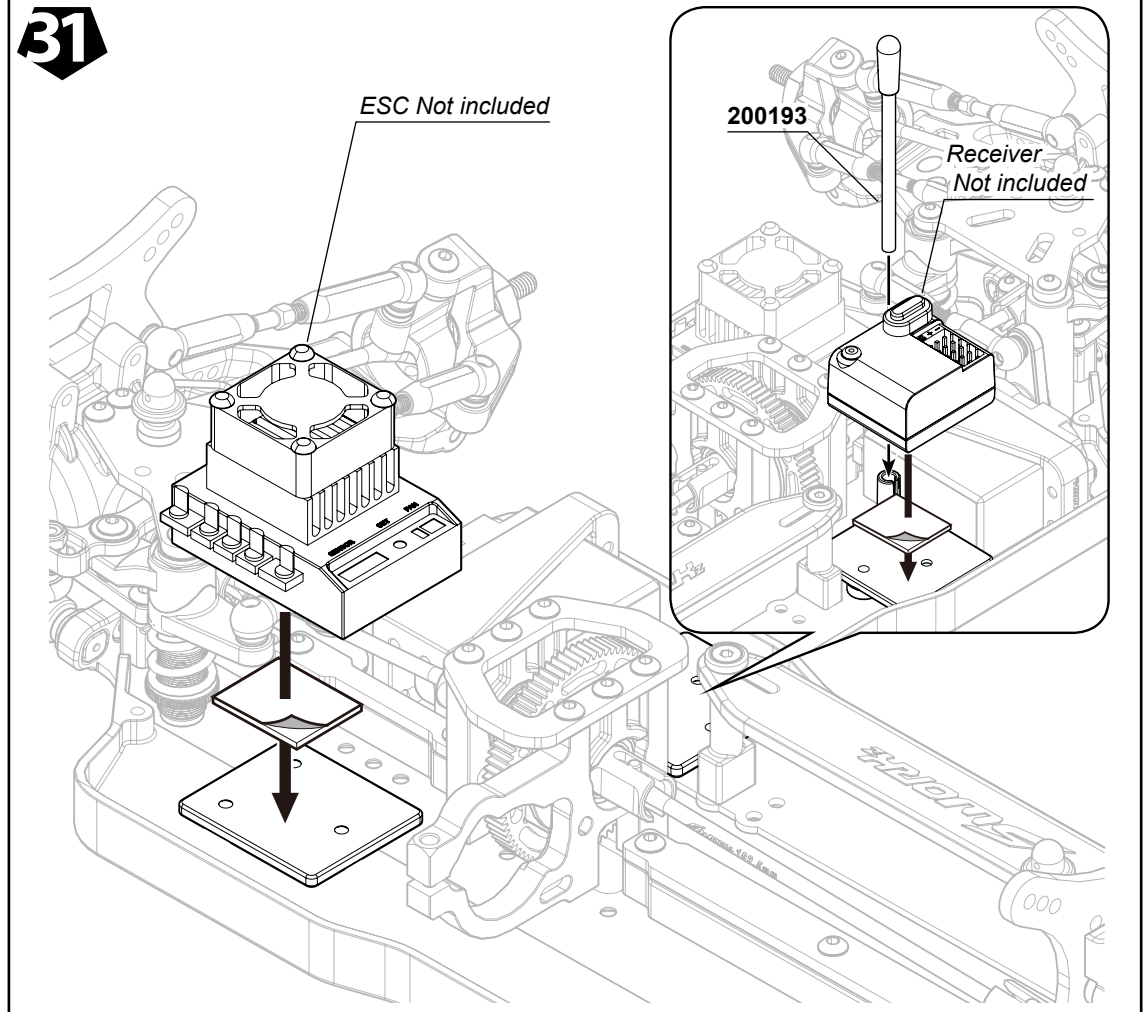
334007  
S14-3 Center Drive Shaft 102.5mm x1



ESC Not included

200193

Receiver Not included



# BAG H

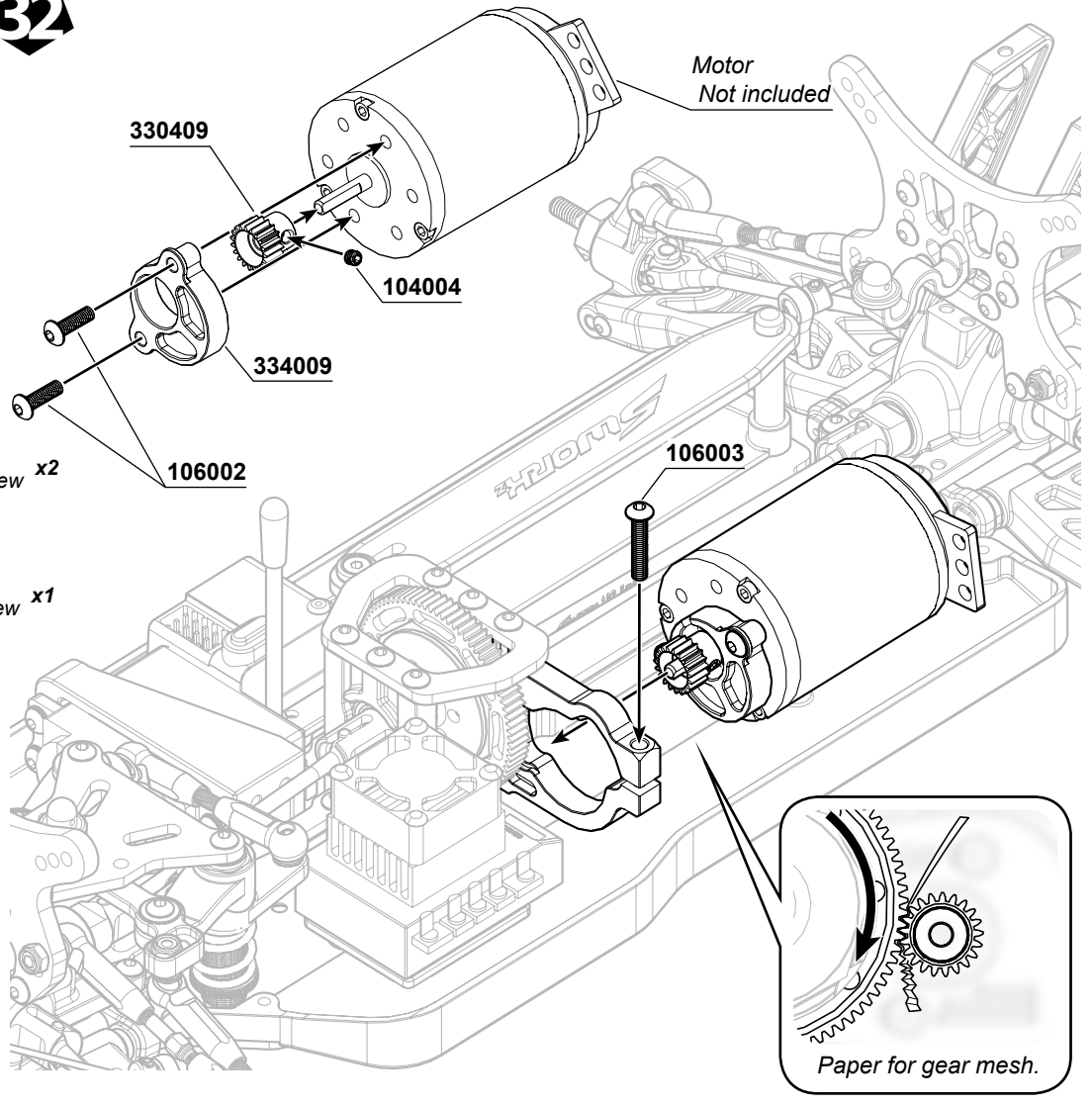
## 32

104004  
M3x3mm Set Screw x1

106002  
M3x10mm Hex Socket OH/TP Screw x2

106003  
M3x16mm Hex Socket OH/TP Screw x1

330409  
S104 Motor Gear 19T x1



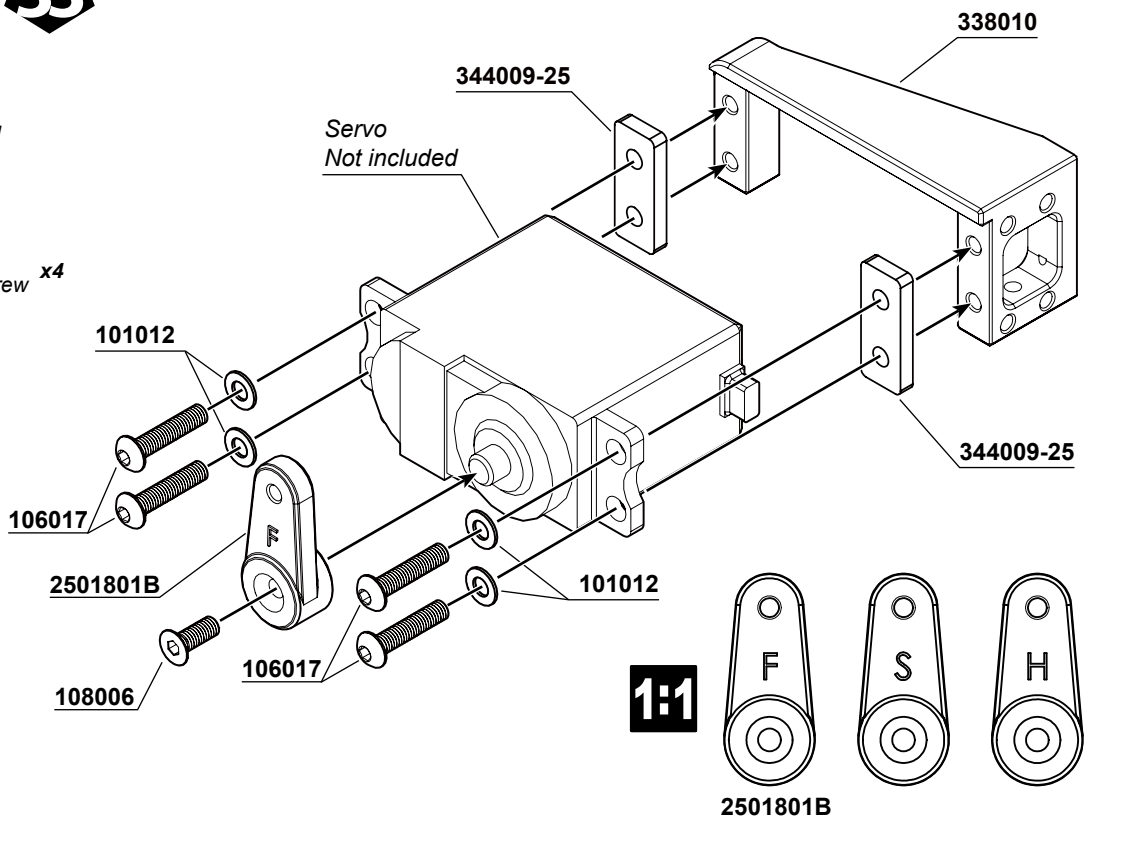
# BAG I

## 33

108006  
M3x8mm FH/ST HEX Screw x1

106017  
M3x14mm Hex Scket OH/TP Screw x4

101012  
Washer M3x6xT0.5mm x4





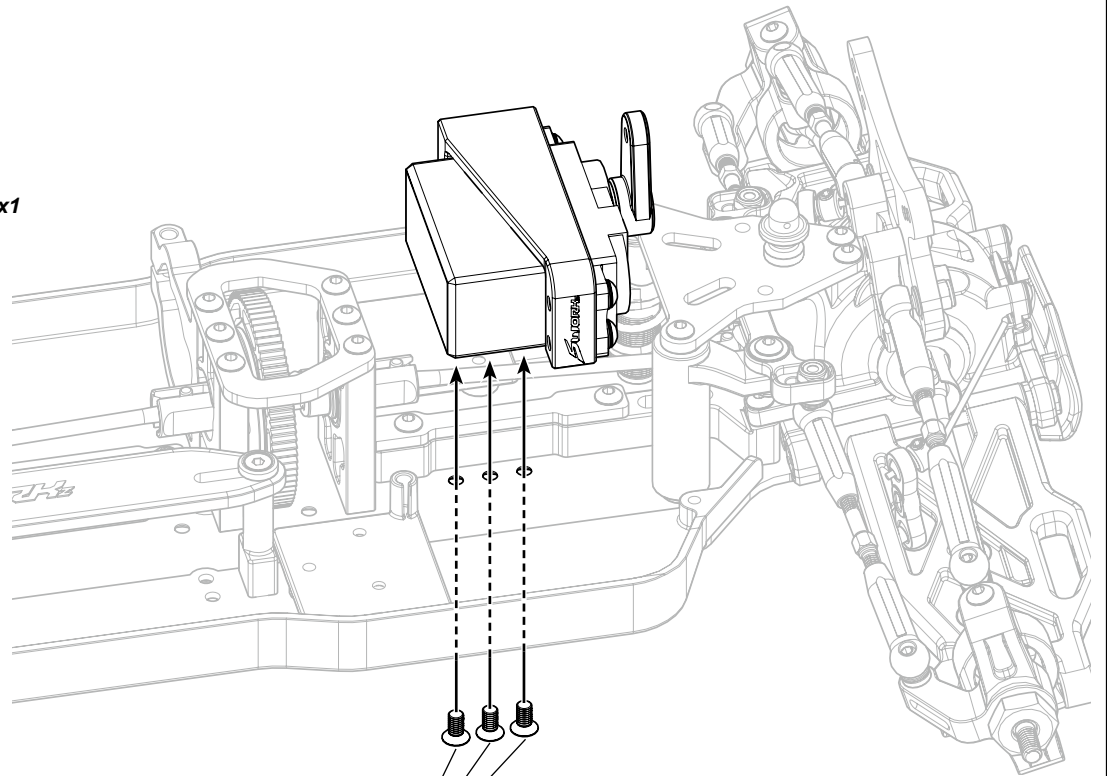
108007  
M3x6mm FH/ST HEX Screw x3



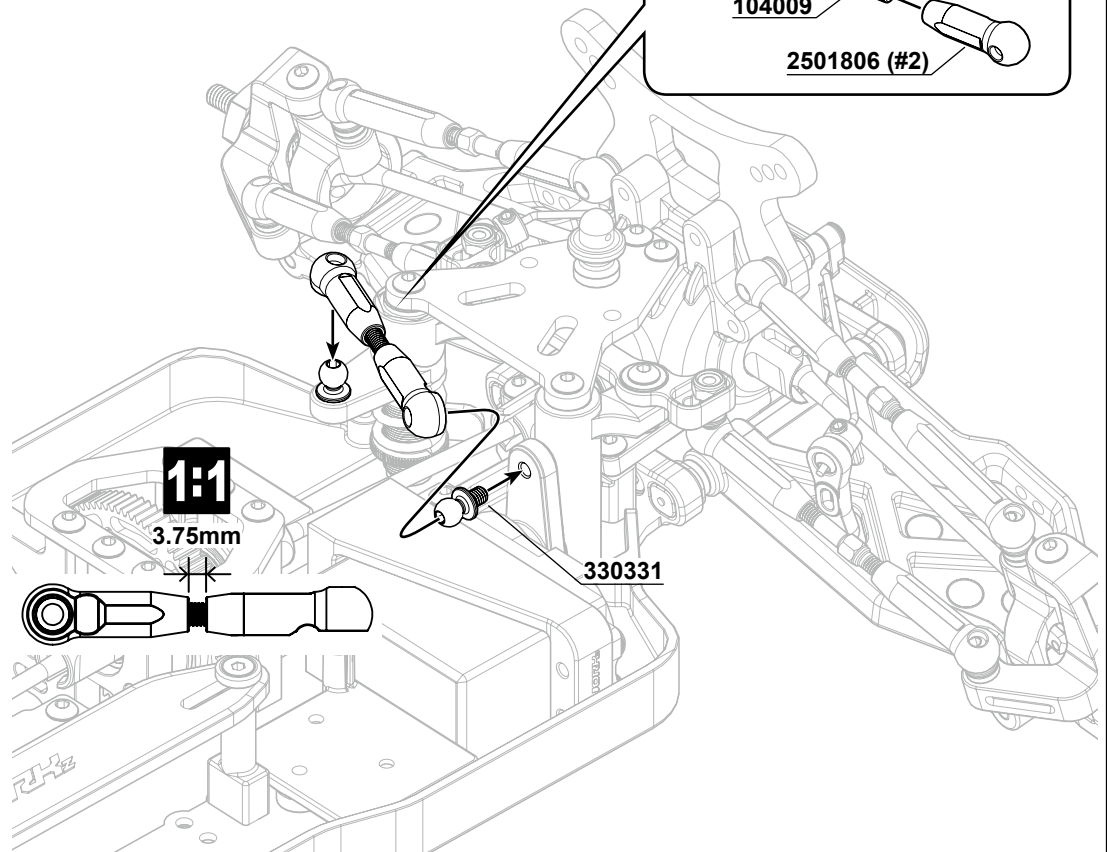
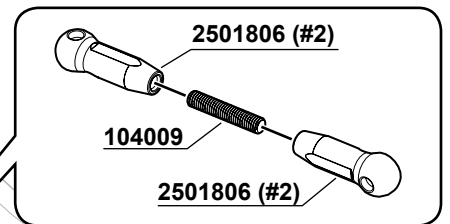
330331  
Steering Linkage Ball Stud 5mm x1



104009  
M3x16mm Set Screw x1



108007



1:1

3.75mm

330331

# BAG J

## 35



x2 For Front

x2 For Rear

101011  
Shock Washer 2.6x6x0.5mm x4

214003  
Shock seal washer 3.0x6.5x2.0mm x8

214003  
Shock Seal O-ring 2x2.7mm (M) x8

334018  
Shock Shaft L x2

334019  
Shock Shaft S x2

400014  
O-Ring 1.5x13.5mm x4

410049  
Shock Seal Cap O-ring 8x10x1mm x4

410047  
S102 Shock Cap O-Ring (SP) x4

330544  
Aluminum Shock Seal Cover x4

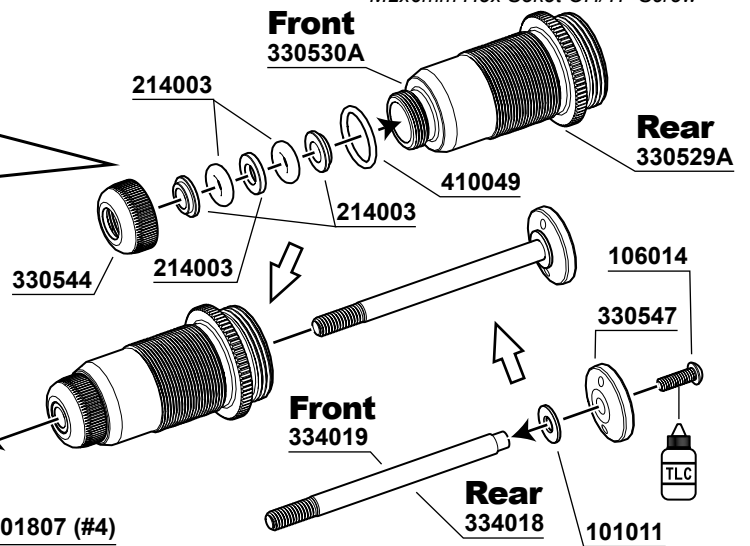
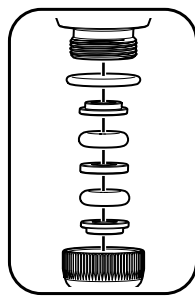
214003  
Shock seal washer 3.0x6.5x0.7mm x4

330547  
Shock Piston 1.5mmx2 holes x4

330134  
Shock Ball Stud x4

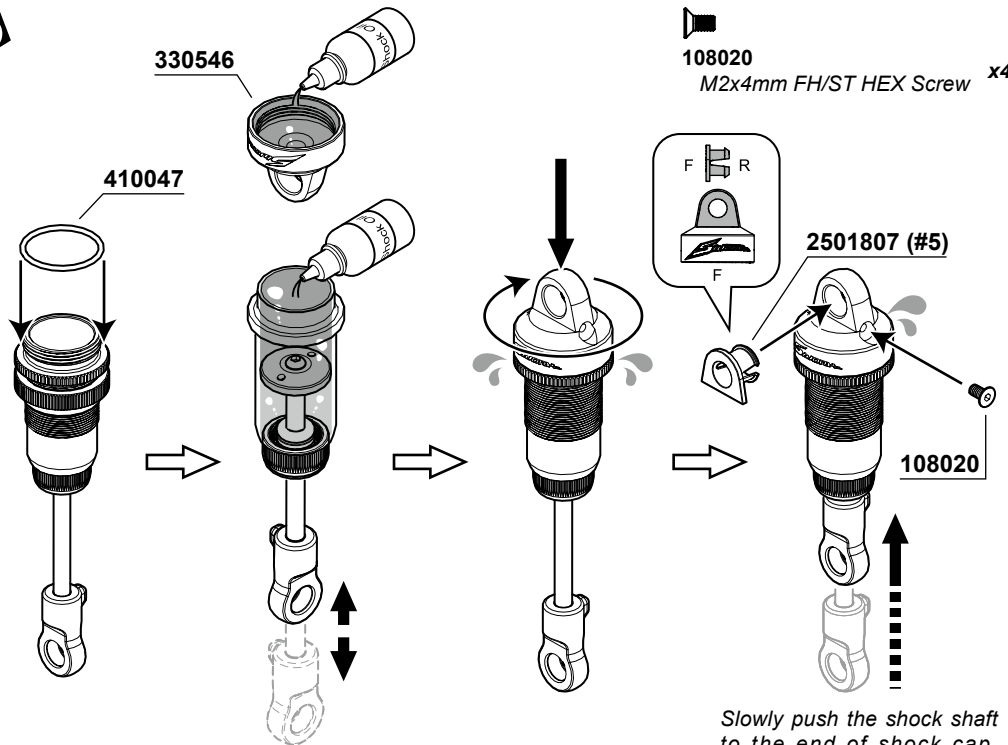
330304A  
Aluminum Shock Spring Adjust Nut x4

106014  
M2x6mm Hex Socket OH/TP Screw x4



## 36

108020  
M2x4mm FH/ST HEX Screw x4



Slowly push the shock shaft to the end of shock cap. Then tight screw M2x4mm

## 37

330134

330304A

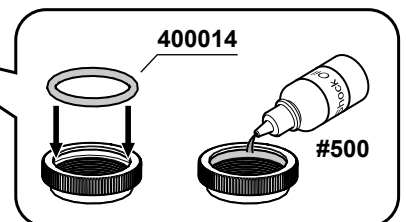
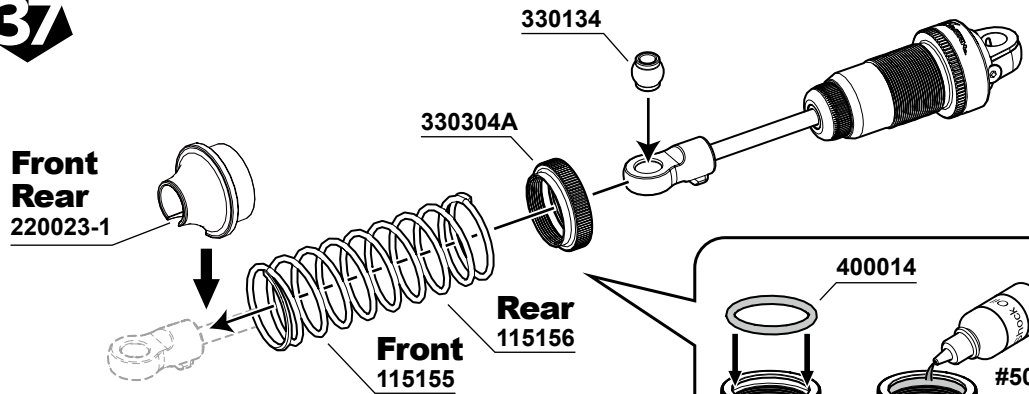
Front Rear 220023-1

Front 115155

Rear 115156

400014

#500







**108001**  
M3x12mm FH/ST HEX Screw

x4



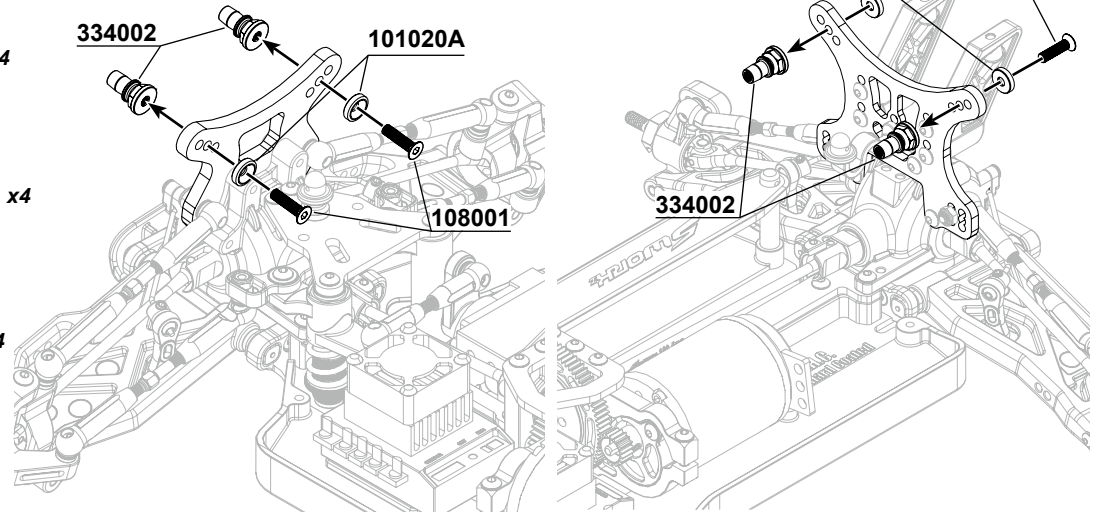
**101020A**  
3mm Countersunk Washers (RD)

x4



**334002**  
S14-3 Aluminum Shock Stud

x4



**108006**  
M3x8mm FH/ST HEX Screw

x4



**106005**  
M3x15mm Hex Scket OH/TP Screw

x2



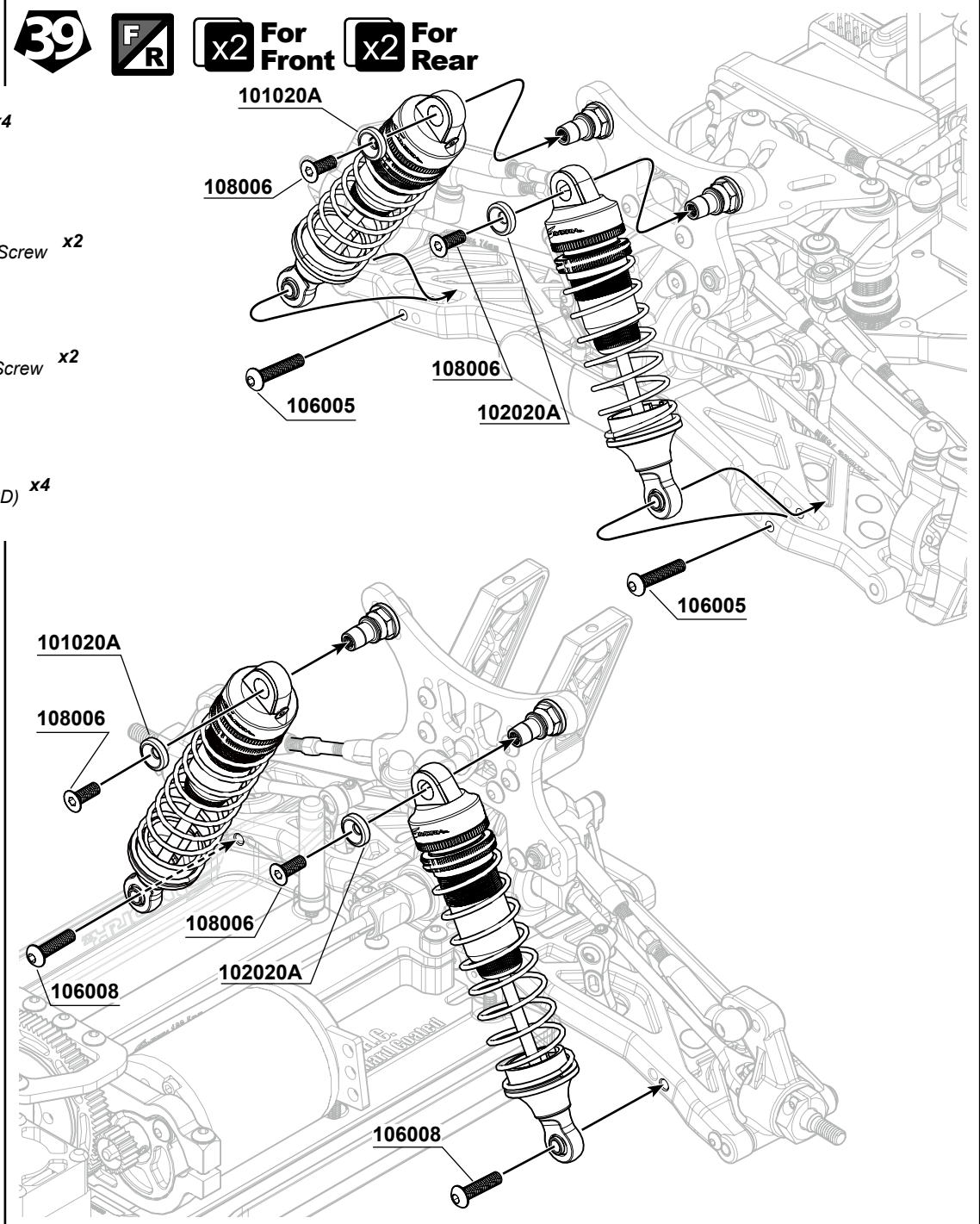
**106008**  
M3x12mm Hex Scket OH/TP Screw

x2



**101020A**  
3mm Countersunk Washers (RD)

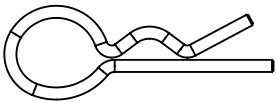
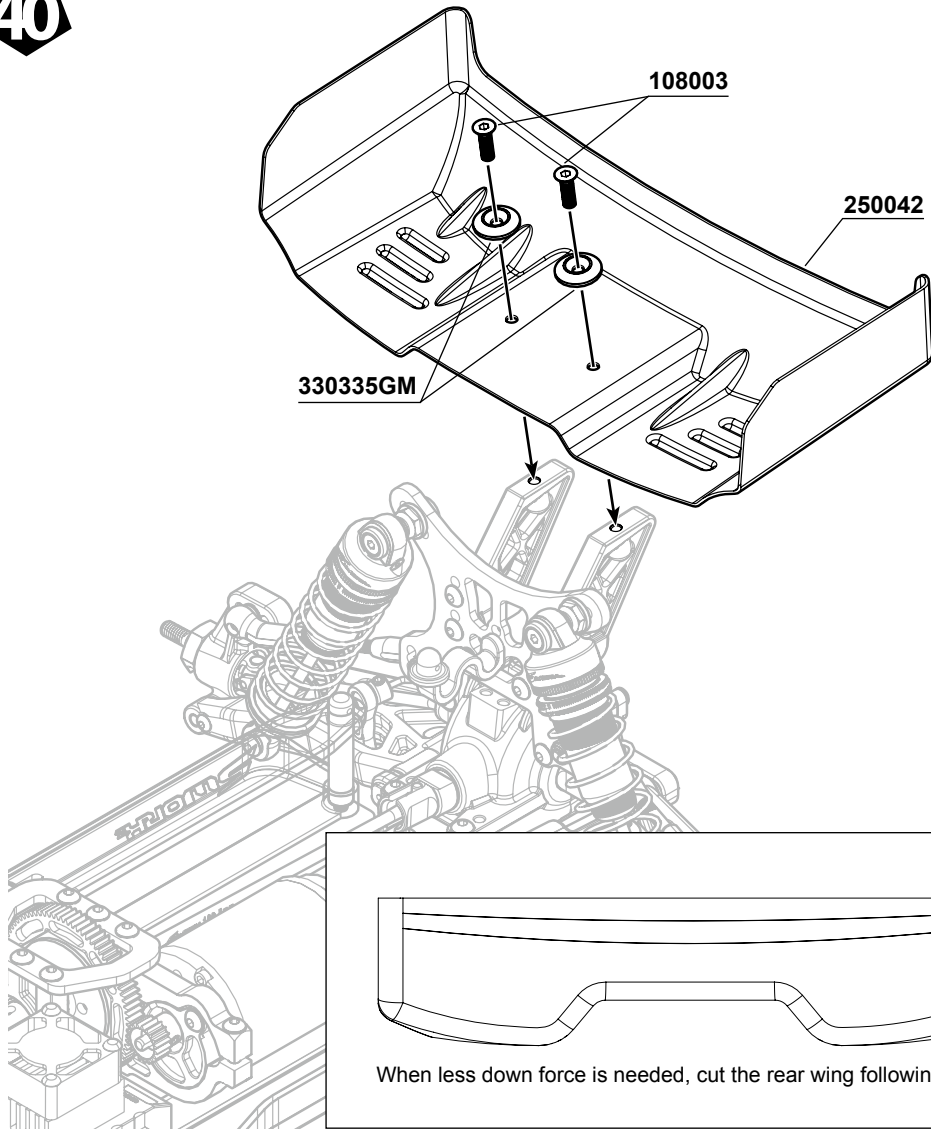
x4





**108003**  
M3x10mm FH/ST HEX Screw

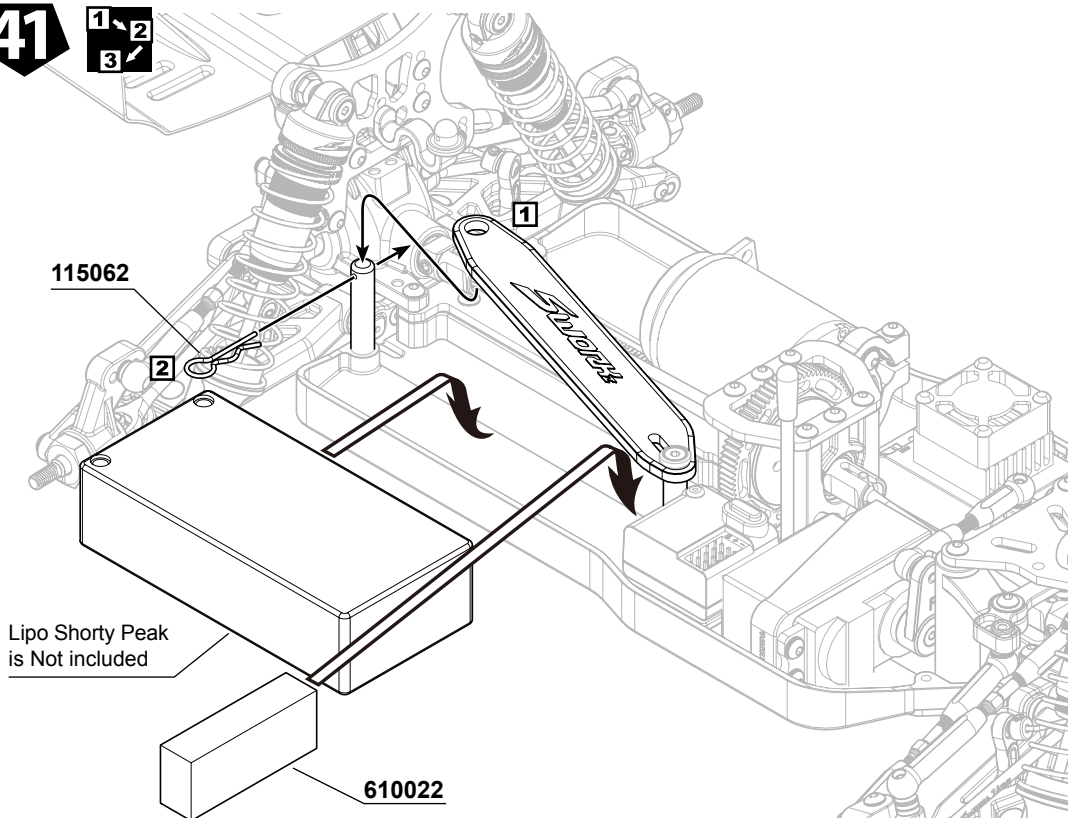
x2

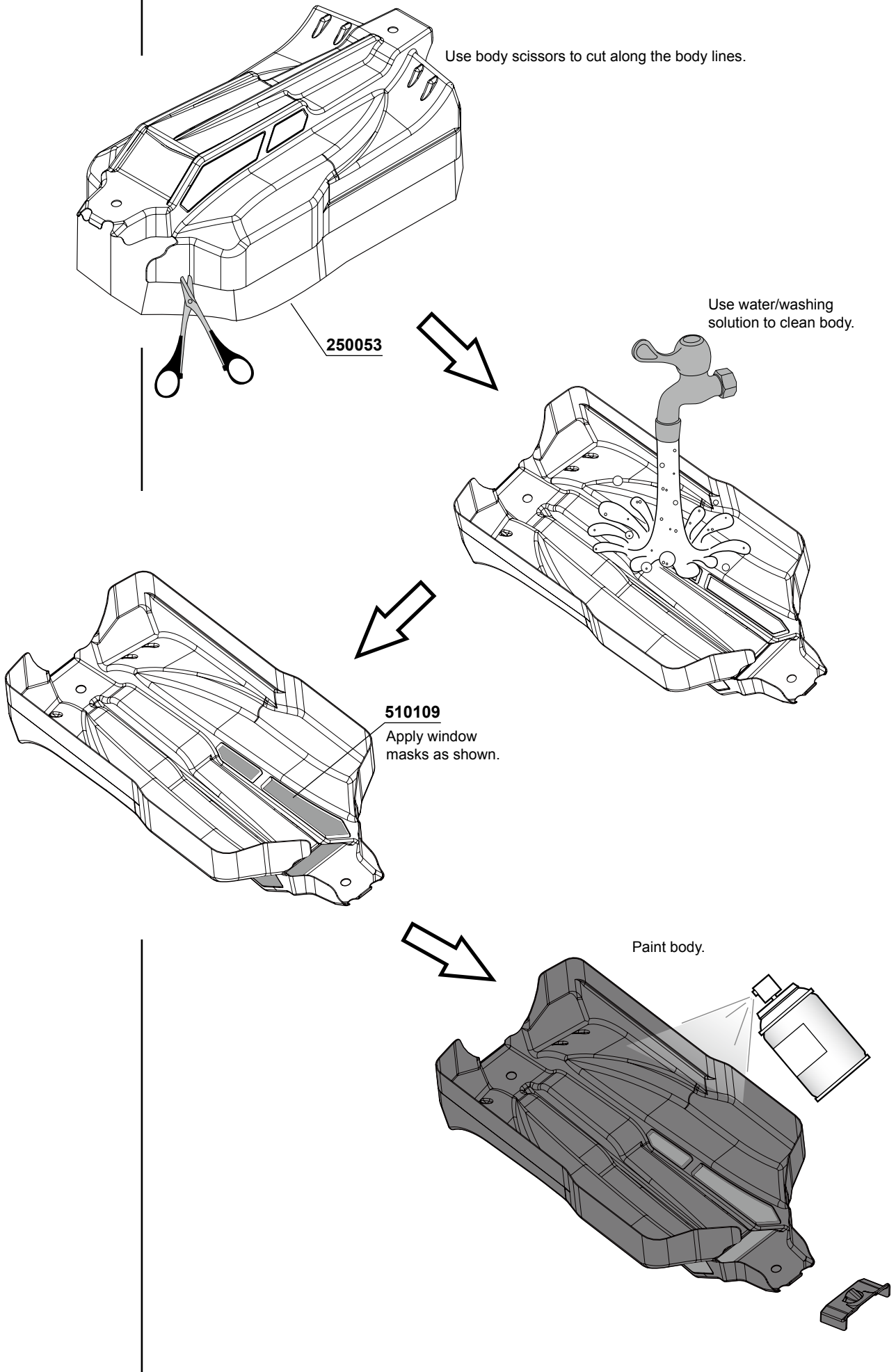


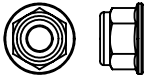
**115062**  
1/10 Body Clip x1

**41**

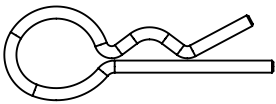
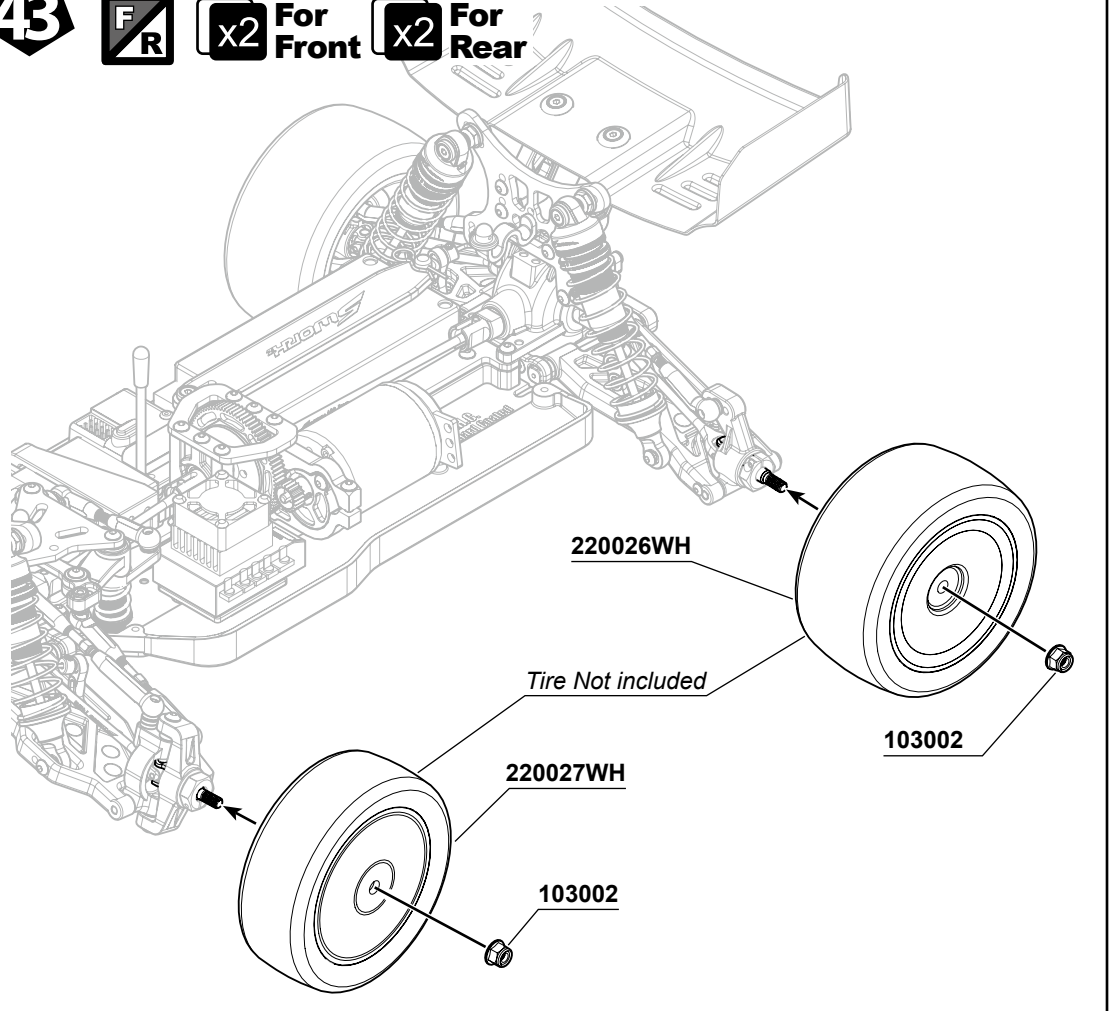
- 1
- 2
- 3







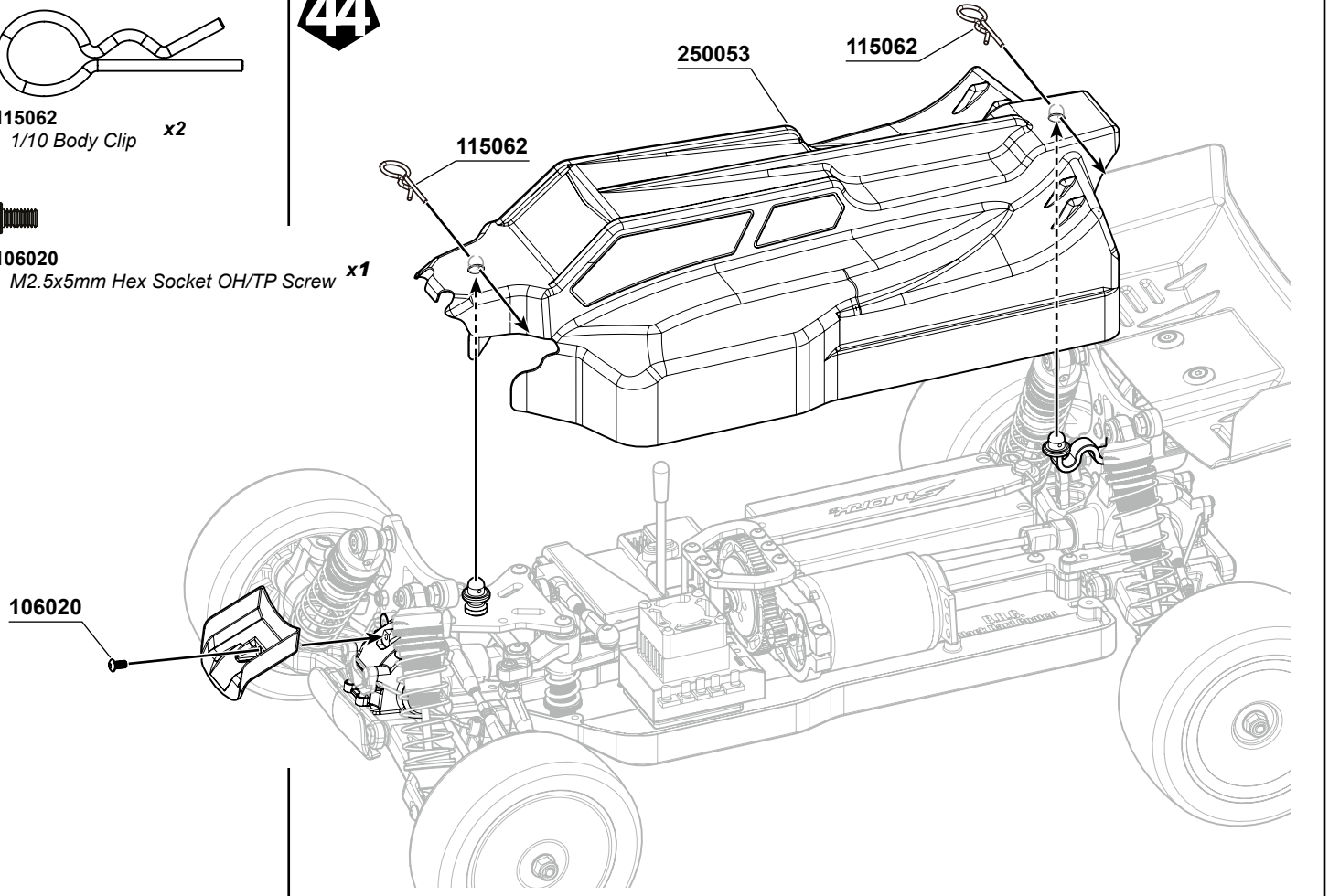
**103002**  
Flange M4 Nut Lock **x4**



**115062**  
1/10 Body Clip **x2**



**106020**  
M2.5x5mm Hex Socket OH/TP Screw **x1**



Race time / Lap: \_\_\_\_\_

Best lap: \_\_\_\_\_

Name: Micha Widmaier  
 Date: 14-16.9.2018  
 Track: EOS Nürburgring

**Diff. Oil**  
 Front: #10000  
 Center: Slipper clutch  
 Rear: #7000

**Track Conditions**  
 Size:  Open  Med.  Tight  
 Traction:  High  Med.  Low  
 Surface:  Smooth  Med.  Bumpy

**Tire**  
 Front Type: Schumacher Rear Type: Schumacher  
 Foam: EOS Foam: EOS

**Electric System**  
 ESC Type: Nosram HD  
 Motor Type: Nosram M22 55T  
 Motor Gear/Spur Gear: 19/81

### Front Suspension

**Front in-Board Toe**

<input type="checkbox"/> ±0	<input type="checkbox"/> ±0
<input type="checkbox"/> ±0.5	<input type="checkbox"/> ±0.5
<input checked="" type="checkbox"/> ±1.0	<input type="checkbox"/> ±1.0
<input type="checkbox"/> ±0.5+1K-UP	<input type="checkbox"/> ±0.5+1K-UP
<input type="checkbox"/> ±1.0+1K-UP	<input checked="" type="checkbox"/> ±1.0+1K-UP

Oil: #800  
 Spacer: 1 mm  
 Pistons: 2x1.6  
 Spring: KIT

86 mm

Body: KIT  
 Wing: KIT

0 mm

Track width \_\_\_\_\_ mm  
 Camber angle -2°  
 Toe angle \_\_\_\_\_  
 Rebound stop \_\_\_\_\_ mm  
 Sway bar  Use 1.8 mm  
 None

**Steering Ackerman**

1  
 2  
 3

4.7mm  
 5.7mm  
 6.7mm  
 7.7mm

R: 2 mm  
 F: 0 mm

C-Hub  9  
 11

### Rear Suspension

**Rear Toe-In**

<input type="checkbox"/> ±0	<input type="checkbox"/> ±0
<input type="checkbox"/> ±0.5	<input type="checkbox"/> ±0.5
<input type="checkbox"/> ±1.0	<input type="checkbox"/> ±1.0
<input type="checkbox"/> ±0.5+1K-UP	<input type="checkbox"/> ±0.5+1K-UP
<input checked="" type="checkbox"/> ±1.0+1K-UP	<input checked="" type="checkbox"/> ±1.0+1K-UP

Camber angle -2°  
 Rebound stop \_\_\_\_\_ mm

0 mm

Notes: Graphite wishbones, side pads, front battery position.

Wheelbase F 0 mm  
 adjustment R 2.5 mm

Sway bar  Use 1.8 mm  
 None

Oil: #650  
 Spacer: 1 mm  
 Pistons: 2x1.7  
 Spring: KIT

100 mm

A  
 B  
 A  
 B

1  
 2  
 3

4  
 5  
 6

2  
 1  
 3

4.7mm  
 5.7mm  
 6.7mm  
 7.7mm

F  
 R  
 Front

### Option Parts List

<p><b>Front lower arm</b></p> <p><input checked="" type="checkbox"/> Pro-composite Hard Material <input type="checkbox"/> Standard Material</p>	<p><b>Rear lower arm</b></p> <p><input checked="" type="checkbox"/> Pro-composite Hard Material <input type="checkbox"/> Standard Material</p>	<p><b>Side guard</b></p> <p><input type="checkbox"/> Pro-composite Hard Material <input checked="" type="checkbox"/> Standard Material</p>	<p><b>T-bar</b></p> <p>Front: <input type="checkbox"/> Pro-composite Hard Material <input checked="" type="checkbox"/> Standard Material</p> <p>Rear: <input type="checkbox"/> Pro-composite Hard Material <input checked="" type="checkbox"/> Standard Material</p>
---	--	--	--

Race time / Lap: \_\_\_\_\_

Best lap: \_\_\_\_\_

Name: \_\_\_\_\_  
 Date: \_\_\_\_\_  
 Track: \_\_\_\_\_

**Diff. Oil**  
 Front: \_\_\_\_\_  
 Center: \_\_\_\_\_  
 Rear: \_\_\_\_\_

**Track Conditions**  
 Size:  Open  Med.  Tight  
 Traction:  High  Med.  Low  
 Surface:  Smooth  Med.  Bumpy

**Tire**  
 Front Type: \_\_\_\_\_ Rear Type: \_\_\_\_\_  
 Foam: \_\_\_\_\_ Foam: \_\_\_\_\_

**Electric System**  
 ESC Type: \_\_\_\_\_  
 Motor Type: \_\_\_\_\_  
 Motor Gear/Spur Gear: \_\_\_\_\_

### Front Suspension

1  
2  
3

1  
2

2  
1

Camber angle

Front in-Board Toe			
<input type="checkbox"/> ±0	<input type="checkbox"/> ±0	<input type="checkbox"/> ±0	<input type="checkbox"/> ±0
<input type="checkbox"/> ±0.5	<input type="checkbox"/> ±0.5	<input type="checkbox"/> ±0.5	<input type="checkbox"/> ±0.5
<input type="checkbox"/> ±1.0	<input type="checkbox"/> ±1.0	<input type="checkbox"/> ±1.0	<input type="checkbox"/> ±1.0
<input type="checkbox"/> ±0.5+1K-UP	<input type="checkbox"/> ±0.5+1K-UP	<input type="checkbox"/> ±0.5+1K-UP	<input type="checkbox"/> ±0.5+1K-UP
<input type="checkbox"/> ±1.0+1K-UP	<input type="checkbox"/> ±1.0+1K-UP	<input type="checkbox"/> ±1.0+1K-UP	<input type="checkbox"/> ±1.0+1K-UP

C-Hub 9 11

4.7mm  
5.7mm  
6.7mm  
7.7mm

R: \_\_\_\_\_ mm  
 F: \_\_\_\_\_ mm

Oil: \_\_\_\_\_  
 Spacer: \_\_\_\_\_ mm  
 Pistons: \_\_\_\_\_  
 Spring: \_\_\_\_\_

Body: \_\_\_\_\_ mm  
 Wing: \_\_\_\_\_ mm

**Steering Ackerman**

1  
2  
3

Track width \_\_\_\_\_ mm  
 Camber angle \_\_\_\_\_  
 Toe angle \_\_\_\_\_  
 Rebound stop \_\_\_\_\_ mm  
 Sway bar Use \_\_\_\_\_ mm  
None

### Rear Suspension

A  
B  
A  
B

1  
2  
3

4  
5  
6

2  
1  
3

Camber angle

Rear Toe-In			
<input type="checkbox"/> ±0	<input type="checkbox"/> ±0	<input type="checkbox"/> ±0	<input type="checkbox"/> ±0
<input type="checkbox"/> ±0.5	<input type="checkbox"/> ±0.5	<input type="checkbox"/> ±0.5	<input type="checkbox"/> ±0.5
<input type="checkbox"/> ±1.0	<input type="checkbox"/> ±1.0	<input type="checkbox"/> ±1.0	<input type="checkbox"/> ±1.0
<input type="checkbox"/> ±0.5+1K-UP	<input type="checkbox"/> ±0.5+1K-UP	<input type="checkbox"/> ±0.5+1K-UP	<input type="checkbox"/> ±0.5+1K-UP
<input type="checkbox"/> ±1.0+1K-UP	<input type="checkbox"/> ±1.0+1K-UP	<input type="checkbox"/> ±1.0+1K-UP	<input type="checkbox"/> ±1.0+1K-UP

4.7mm  
5.7mm  
6.7mm  
7.7mm

Camber angle \_\_\_\_\_  
 Rebound stop \_\_\_\_\_ mm

Notes: \_\_\_\_\_  
 \_\_\_\_\_  
 \_\_\_\_\_

Wheelbase F \_\_\_\_\_ mm  
 adjustment R \_\_\_\_\_ mm

Sway bar Use \_\_\_\_\_ mm  
None

Oil: \_\_\_\_\_  
 Spacer: \_\_\_\_\_ mm  
 Pistons: \_\_\_\_\_  
 Spring: \_\_\_\_\_

### Option Parts List

<p><b>Front lower arm</b></p> <p><input type="checkbox"/> Pro-composite Hard Material <input type="checkbox"/> Standard Material</p>	<p><b>Rear lower arm</b></p> <p><input type="checkbox"/> Pro-composite Hard Material <input type="checkbox"/> Standard Material</p>	<p><b>Side guard</b></p> <p><input type="checkbox"/> Pro-composite Hard Material <input type="checkbox"/> Standard Material</p>	<p><b>T-bar</b></p> <p>Front <input type="checkbox"/> Pro-composite Hard Material <input type="checkbox"/> Standard Material</p> <p>Rear <input type="checkbox"/> Pro-composite Hard Material <input type="checkbox"/> Standard Material</p>
--	---	---	--

Race time / Lap: \_\_\_\_\_

Best lap: \_\_\_\_\_

Name: \_\_\_\_\_  
 Date: \_\_\_\_\_  
 Track: \_\_\_\_\_

**Diff. Oil**  
 Front: \_\_\_\_\_  
 Center: \_\_\_\_\_  
 Rear: \_\_\_\_\_

**Track Conditions**  
 Size:  Open  Med.  Tight  
 Traction:  High  Med.  Low  
 Surface:  Smooth  Med.  Bumpy

**Tire**  
 Front Type: \_\_\_\_\_ Rear Type: \_\_\_\_\_  
 Foam: \_\_\_\_\_ Foam: \_\_\_\_\_

**Electric System**  
 ESC Type: \_\_\_\_\_  
 Motor Type: \_\_\_\_\_  
 Motor Gear/Spur Gear: \_\_\_\_\_

### Front Suspension

**Front in-Board Toe**

<input type="checkbox"/> ±0	<input type="checkbox"/> ±0
<input type="checkbox"/> ±0.5	<input type="checkbox"/> ±0.5
<input type="checkbox"/> ±1.0	<input type="checkbox"/> ±1.0
<input type="checkbox"/> ±0.5+1K-UP	<input type="checkbox"/> ±0.5+1K-UP
<input type="checkbox"/> ±1.0+1K-UP	<input type="checkbox"/> ±1.0+1K-UP

**Camber angle**

□ 1  
 □ 2  
 □ 3

□ 1  
 □ 2

□ 2  
 □ 1

□ 4.7mm  
 □ 5.7mm  
 □ 6.7mm  
 □ 7.7mm

C-Hub □ 9  
 □ 11

R: \_\_\_\_\_ mm  
 F: \_\_\_\_\_ mm

Oil: \_\_\_\_\_  
 Spacer: \_\_\_\_\_ mm  
 Pistons: \_\_\_\_\_  
 Spring: \_\_\_\_\_

mm

Body: \_\_\_\_\_ mm  
 Wing: \_\_\_\_\_ mm

Track width \_\_\_\_\_ mm  
 Camber angle \_\_\_\_\_  
 Toe angle \_\_\_\_\_  
 Rebound stop \_\_\_\_\_ mm  
 Sway bar  Use \_\_\_\_\_ mm  
 None

**Steering Ackerman**

□ 1  
 □ 2  
 □ 3

### Rear Suspension

**Rear Toe-In**

<input type="checkbox"/> ±0	<input type="checkbox"/> ±0
<input type="checkbox"/> ±0.5	<input type="checkbox"/> ±0.5
<input type="checkbox"/> ±1.0	<input type="checkbox"/> ±1.0
<input type="checkbox"/> ±0.5+1K-UP	<input type="checkbox"/> ±0.5+1K-UP
<input type="checkbox"/> ±1.0+1K-UP	<input type="checkbox"/> ±1.0+1K-UP

□ A  
 □ B  
 □ A  
 □ B

□ 1  
 □ 2  
 □ 3

□ 1  
 □ 2  
 □ 3  
 □ 4  
 □ 5  
 □ 6

Camber angle

□ 2  
 □ 1  
 □ 3

□ 4.7mm  
 □ 5.7mm  
 □ 6.7mm  
 □ 7.7mm

F  
 R  
 Front

Camber angle \_\_\_\_\_  
 Rebound stop \_\_\_\_\_ mm

Notes: \_\_\_\_\_  
 \_\_\_\_\_  
 \_\_\_\_\_

mm

Wheelbase F \_\_\_\_\_ mm  
 adjustment R \_\_\_\_\_ mm

Sway bar  Use \_\_\_\_\_ mm  
 None

Oil: \_\_\_\_\_  
 Spacer: \_\_\_\_\_ mm  
 Pistons: \_\_\_\_\_  
 Spring: \_\_\_\_\_

mm

### Option Parts List

<p><b>Front lower arm</b></p> <p><input type="checkbox"/> Pro-composite Hard Material <input type="checkbox"/> Standard Material</p>	<p><b>Rear lower arm</b></p> <p><input type="checkbox"/> Pro-composite Hard Material <input type="checkbox"/> Standard Material</p>	<p><b>Side guard</b></p> <p><input type="checkbox"/> Pro-composite Hard Material <input type="checkbox"/> Standard Material</p>	<p><b>T-bar</b></p> <p>Front <input type="checkbox"/> Pro-composite Hard Material <input type="checkbox"/> Standard Material</p> <p>Rear <input type="checkbox"/> Pro-composite Hard Material <input type="checkbox"/> Standard Material</p>
--	---	---	--





## Parts No. List

Part No.	Part Name	Q'ty in Use	Item No.
115155	S14-3 Front Shock Spring (40X1.2X7.5)(BK)	2	SW-115155
115156	S14-3 Rear Shock Spring (55X1.1X9.0)(BK)	2	SW-115156
116010	Ball Bearing 5x10x4mm	4	SW-116010
116013	Ball Bearing 10x15x4mm	6	SW-116013
116015	Ball Bearing 5x8x2.5mm	4	SW-116015
116016	Ball Bearing 5x11x4mm	8	SW-116016
117003	Flange Ball Bearing 3x6x2.5mm	2	SW-117003
101004	Washer 3.5X10X0.2mm	8	SW-101004
101007	Washer 3x8x0.5	2	SW-101007
101011	M2.6x6xT0.5mm	4	SW-101011
101012	M3x6xT0.5mm	4	SW-101012
101014A	M3 Pivot Ball Bushing(GM)	2	SW-101014A
101020A	S350 Sries 3mm Countersunk Washers (GM)	9	SW-101020A
101023	S104 Shim 10x12x0.1mm	2	SW-101023
101024	S104 Shim 10x12x0.2mm	4	SW-101024
101025	Shim 3.5x10x0.1mm	8	SW-101025
101026	S102 Aluminum Washer 3X6X1.5mm	8	SW-101026
103002	Flage Nylon Nut M4	4	SW-103002
103007	M3mm Nut Lock Thim (BK)	10	SW-103007
104004	M3x3mm Set Screw	6	SW-104004
104005	Set Screw M3x4	6	SW-104005
104009	M3x16mm Set Screw	1	SW-104009
104011	M4x4mm Set Screw (Flat Bottom)	2	SW-104011
106001	M3x8mm Hex Soket OH/TP Screw	15	SW-106001
106002	M3x10mm Hex Soket OH/TP Screw	18	SW-106002
106003	Button Head Screw M3x16mm	1	SW-106003
106005	M3x15mm Hex Soket OH/TP Screw	2	SW-106005
106008	M3x12mm Hex Soket OH/TP Screw	8	SW-106008
106010	M3x6mm Hex Soket OH/TP Screw	2	SW-106010
106013	M2.5x8mm 1.5mmHex Soket OH/ST Screw	4	SW-106013
106014	M2x6mm Hex Soket OH/TP Screw	8	SW-106014
106017	M3x14mm Hex Soket OH/TP Screw	6	SW-106017
106020	M2.5x5mm 1.5mmHex Soket OH/ST Screw	3	SW-106020
108001	M3x12mm FH/ST HEX Screw	12	SW-108001
108003	M3x10mm FH/ST HEX Screw	13	SW-108003
108006	M3x8mm FH/ST HEX Screw	29	SW-108006
108007	M3x6mm FH/ST HEX Screw	3	SW-108007
108017	M2.6x10mm FH/ST HEX Screw	8	SW-108017
108018	M3x30mm FH/ST HEX Screw	4	SW-108018
108020	M2.0x4mm FH/ST HEX Screw	4	SW-108020

## Spare Part List

Item No.	Part Name	Item No.	Part Name
SW-220026WH	SWORKz 1/10 2/4WD Off Road Competition Rear Dish Wheel (WH) (4PC)	SW-334029	S14-3 Wheel Hub Ball Bearing Stopper(Aluminum) (5x7x1mm)
SW-220027WH	SWORKz 1/10 4WD Off Road Competition Front Dish Wheel (WH) (4PC)	SW-334030	S14-3 Center Slipper Clutch Holder
SW-220019	SWORKz 1/10 S14-3 Gear Box Set	SW-334033	S14-3 Series Lower Arm Hinge Pin (3x52.3mm)
SW-220020	SWORKz 1/10 S14-3 Side Guard Set (Standard Material)	SW-334034	S14-3 Center Slipper Clutch Pad Outside
SW-220021	SWORKz 1/10 S14-3 Plastic Center Chassis T-Brace Set (Standard Material)	SW-334035	S14-3 Center Slipper Clutch Steel Pad
SW-220022	SWORKz 1/10 S14-3 Front and Rear Lower Arm Set (Standard Material)	SW-344001	S14-3 Pro-composite Rear Carbon Fiber Shock Tower
SW-220023	SWORKz 1/10 S14-3 Front and Rear Wheel Hub Set	SW-344003	S14-3 Pro-composite Front Steering Upper Deck
SW-220023-1	SWORKz 1/10 S14-3 Shock Spring End (2PC)	SW-344004	S14-3 Pro-composite Center Diff Upper Deck
SW-220024-9	SWORKz 1/10 S14-3 Front C Hub Set (9 Degree)	SW-344005	S14-3 Pro-composite C Hub Front Carbon Fiber Shock Tower
SW-220024-11	SWORKz 1/10 S143C Front C Hub Set (11 Degree)	SW-344006	S14-3 Pro-composite Carbon Fiber Center Rear Chassis T-Brace (2.5mm)
SW-2501798A	S104 EVO Wing Stay Set with Bumper and Arm Holder	SW-344007	S14-3 Pro-composite Carbon Fiber Center Front Chassis T-Brace (2.5mm)
SW-2501808	S104 Plastic Insert Set	SW-344009-25	S14-3 Carbon Fiber Servo Mount Insert 2.5mm
SW-2501801B	S104 EVO Settring Bellcrank Set with Servo Horn Set	SW-354004-81	S14-3 Center Slipper Cluth Spur Gear 81T
SW-2501806B	S104 EVO Plastic Ball End Set	SW-400002	O-ring S5
SW-2501807	S104 Shock Spring Holder with Ball End Plastic Parts	SW-400013	S104 O-ring for Pinion Gear 7.65x1.2mm (2pc)
SW-2502524	S104 EVO Plastic Bumper Accessories Set	SW-400014	S104 Aluminum Shock Spring Adjust Nut O-Ring 1.5x13.5mm
SW-2502401BK	S12 Sries Ball End Caps and Hinge Pin Inserts (BK)	SW-410047	S102 Shock Cap O-Ring (SP)
SW-2503210	SWORKz 1/10 Eccentric Bushing Set	SW-410049	1/10 Shock Seal Cap O-ring (8*10*1)
SW-200341	S14/S104 Series Sway Bar Linkage(4PC)	SW-510091	S-WORKz Original Logo Sticker
SW-200193	Antenna Tube	SW-610012	S104 Diff. Gasket (0.4T) (2pc)
SW-210036	S104 Diff. Case Set	SW-610013A	S104 Center Slipper Clutch Pad
SW-214001	S14-3 Axle Universal Cross Drive Shaft Set 74mm	SW-610022	S14-3 Shorty Foam Battery Block
SW-214002	S14-3 Axle Universal Cross Drive Shaft Set 69mm	SW-101004	Washer 3.5X10X0.2mm
SW-214003	S14-3 series Shock Seal Kit (2 Sets)	SW-101007	Washer 3x8x0.5
SW-250042	SWORKz 1/10 sonic wing 6.5"	SW-101011	M2.6x6xT0.5mm
SW-250053	S14-3 Velocity 2.0 Body Shell with Formula Bulkhead Wing	SW-101012	M3x6xT0.5mm
SW-330134	Shock Ball Stud 6mmxL6.7	SW-101014A	M3 Pivot Ball Bushing(GM)
SW-330155	Steering Servo Turnbuckle (M3x30mm)	SW-101020A	S350 Sries 3mm Countersunk Washers (GM)
SW-330278	S104 Diff. Bevel Gear Set	SW-101023	S104 Shim 10x12x0.1mm
SW-330279	S104 Bevel Gear Shaft	SW-101024	Shim 10x12x0.2mm
SW-330282	S104 Front/Rear Diff. Outdrive	SW-101025	Shim 3.5x10x0.1mm
SW-330283	S104 Pin M2.0x10mm	SW-101026	S102 Aluminum Washer 3X6X1.5mm
SW-330284	S104 Crown Gear 42T	SW-103002	Flage Nylon Nut M4
SW-330293	S104 Rear Hub Carrier Hing pin (2pc)	SW-103007	M3 Nut Lock Thim (BK)
SW-330304A	S104 Aluminum Shock Spring Adjust Nut (BK)	SW-104004	M3x3mm Set Screw
SW-330315	Sway Bar Linkage Ball Stud (4pc)	SW-104005	Set Screw M3x4
SW-330327	S104 Servo Saver Shaft	SW-104009	M3x16mm Set Screw
SW-330328A	S104 Servo Saver Post(HC)	SW-104011	M4x4mm Set Screw (Flat Bottom)
SW-330329A	S104 Servo Saver Nut (GM)	SW-106001	M3x8mm Hex Soket OH/TP Screw
SW-330331	S104 Steering Linkage 5mm Ball Stud (L4.1mm) (4pc)	SW-106002	M3x10mm Hex Soket OH/TP Screw
SW-330335GM	S14/S12 series Aluminum Rear Wing Washer (GM)	SW-106003	M3x16mm Hex Soket OH/TP Screw
SW-330409	S104 Motor Gear 19T	SW-106005	M3x15mm Hex Soket OH/TP Screw
SW-330529A	S14/12 Series Rear Shock Body for Long Shock System(L)(2PC)	SW-106008	M3x12mm Hex Soket OH/TP Screw
SW-330530A	S14/12 Series Front Shock Body for Long Shock System (S)(2PC)	SW-106010	M3x6mm Hex Soket OH/TP Screw
SW-330544	S102 Shoick Seal Cover (SP)	SW-106013	M2.5x8mm 1.5mmHex Soket OH/ST Screw
SW-330546	S102 Shock Cap (SP)	SW-106014	M2x6mm Hex Soket OH/TP Screw
SW-330547	S104EVO/S102 Shock Piston(1.5mmX2 Holes)	SW-106017	M3x14mm Hex Soket OH/TP Screw
SW-330589	S14/S104 EVO Aluminum Center Slipper Clutch Pad Inside	SW-106020	M2.5x5mm 1.5mmHex Soket OH/ST Screw
SW-330591	S104 EVO Center Slipper Clutch Spring Nut	SW-108001	M3x12mm FH/ST HEX Screw
SW-330592	S104 EVO Center Slipper Clutch Outdrive	SW-108003	M3x10mm FH/ST HEX Screw
SW-330600	S104 EVO Aluminum Steering Bellcrank A Upper	SW-108006	M3x8mm FH/ST HEX Screw
SW-330643	S104 EVO Steering Linkage 5mm Ball Stud (L7mm)	SW-108007	M3x6mm FH/ST HEX Screw
SW-330664	S102 5mm Ball Stud (L10mm)	SW-108017	M2.6x10mm FH/ST HEX Screw
SW-330763	S104 EVO 7075 Aluminum Rear Lower Arm Histic Changeable Toe-In Plate	SW-108018	M3x30mm FH/ST HEX Screw
SW-338010	S35-3E/S35-TE/ZEUS/APOLLO Aluminum Steering Servo Mount for SAVOX	SW-108020	M2.0x4mm FH/ST HEX Screw
SW-334001	S14-3 Pinion Gear 17T (5mm shaft)	SW-115055	S104 Sway Bar 1.3mm
SW-334002	S14-3 Aluminum Shock Stud	SW-115056	S104 Sway Bar 1.5mm
SW-334003	S14-3 Center Drive Join	SW-115062	1/10 Body Clip
SW-334004	S14-3 T7075 Main Chassis	SW-115131	S104 EVO Servo Saver Spring(H)
SW-334005	S14-3 T7075 Servo Saver Steering Plate	SW-115136A	S14-3 Center Slipper Clutch Spring (1.3mm)(SL)
SW-334006	S14-3 Center Drive Shaft 68mm	SW-115155	S14-3 Front Shock Spring (40X1.2X7.5)(BK)
SW-334007	S14-3 Center Drive Shaft 102.5mm	SW-115156	S14-3 Rear Shock Spring (55X1.1X9.0)(BK)
SW-334008	S14-3 T7075 Aluminum Center Motor Mount (Bottom)	SW-116010	Ball Bearing 5x10x4mm
SW-334009	S14-3 T7075 Aluminum Motor Adjust Mount	SW-116013	Ball Bearing 10x15x4mm
SW-334010	S14-3 12mm Wheel Hex (4.7mm)	SW-116015	Ball Bearing 5x8x2.5mm
SW-334018	S14-3 Serie 3mm Shock Shaft (Long)	SW-116016	Ball Bearing 5x11x4mm
SW-334019	S14-3 Serie 3mm Shock Shaft (Short)	SW-117003	Flange Ball Bearing 3x6x2.5mm (2pc)
SW-334020	S14-3 Series C Hub Bushing (A)(2.5)		
SW-334021	S14-3 Series C Hub Bushing (B)(0.7)		
SW-334022	S14-3 Series Lower Arm Hinge Pin (3x32mm)		
SW-334024	S14-3 7075 Aluminum Rear Front Lower Fully Adjustable Toe-In Plate		
SW-334025	S14-3 7075 Aluminum Front Lower Fully Adjustable Toe-In Plate		
SW-334026	S14-3 7075 Aluminum Front Rear Fully Adjustable Toe-In Block		
SW-334027	S14-3 T7075 Aluminum Center Diff. Mount		
SW-334028	S14-3 Pinion Gear Stopper (Aluminum) (5x7x4mm)		

## Option Parts List

Item No.	Part Name
SW-115057	S104 Sway Bar 1.8mm
SW-115084	S104 Sway Bar 1.1mm
SW-115085	S104 Sway Bar 1.2mm
SW-115086	S104 Sway Bar 1.4mm
SW-115087	S104 Sway Bar 1.6mm
SW-115138	SWORKz S14 Series Sway Bar 2.0mm
SW-210039	S104 Series F/R Diff. Set (42T)
SW-2501800ABK	S104 Rear Wing Set (W/O Holes) (BK)
SW-2501800AFY	S104 Rear Wing Set (W/O Holes) (FY)
SW-2501800AOG	S104 Rear Wing Set (W/O Holes) (OR)
SW-2501800AWH	S104 Rear Wing Set (W/O Holes) (WH)
SW-250042	SWORKz 1/10 sonic lexan wing 6.5"
SW-250042BK	SWORKz 1/10 sonic lexan wing 6.5" (BK)
SW-250042WH	SWORKz 1/10 sonic lexan wing 6.5" (WH)
SW-330335	S104 Aluminum Rear Wing Washer
SW-330338	S104 Aluminum Battery Holder Nut (4pc)
SW-330324	S104 Motor Gear 20T
SW-330410	S104 Motor Gear 21T
SW-330411	S104 Motor Gear 22T
SW-330412	S104 Motor Gear 23T
SW-330413	S104 Motor Gear 24T
SW-220020H	SWORKz 1/10 S14-3 Side Guard Set in Pro-composite Hard Material
SW-220020-3H	SWORKz 1/10 S14-3 S14-3 Battery Cover in Pro-composite Hard Material
SW-220021H	SWORKz 1/10 S14-3 Plastic Center Chassis T-Brace Set in Pro-composite Hard Material
SW-220022H	SWORKz 1/10 S14-3 Front and Rear Lower Arm Set in Pro-composite Hard Material
SW-334011	S14-3 12mm Wheel Hex (5.7mm)(Option)(2PC)
SW-334038	S14-3 12mm Wheel Hex (6.7mm)(Option)
SW-334039	S14-3 12mm Wheel Hex (7.7mm)(Option)
SW-344008	S14-3 Pro-composite Option Front Steering Upper Deak (Soft)(Option)
SW-354004-78	S14-3 High Performance CNC Center Slipper Cluth Spur Gear 78T
SW-354004-72	S14-3 High Performance CNC Center Slipper Cluth Spur Gear 72T
SW-220027FY	SWORKz 1/10 4WD Off Road Competition Front Dish Wheel (FY) (4PC)
SW-220026FY	SWORKz 1/10 2/4WD Off Road Competition Rear Dish Wheel (FY) (4PC)
SW-214004	S14-3 Series Sway Bar Kit (1.1/1.2/1.3/1.4/1.5/1.6/1.8/2.0mm)
SW-214005	S14-3 Center Slipper Clutch Complete Set (81T)
SW-214006	S14-3 Complete Front Shock Set (Without Springs)
SW-214007	S14-3 Complete Rear Shock Set (Without Springs)
SWC-115140	S14/S12/S104 Competition Shock SpringA2(45X1.2X8.5)(FY)
SWC-115141	S14/S12/S104 Competition Shock SpringA3(45X1.2X8.0)(GN)
SWC-115142	S14/S12/S104 Competition Shock SpringB1(60X1.2X10.75)(PN)
SWC-115143	S14/S12/S104 Competition Shock SpringB2(60X1.2X10.25)(FO)
SWC-115146	S14/S12/S104 Competition Shock SpringA5(45X1.2X7.0)(PR)
SWC-115147	S14/S12/S104 Competition Shock SpringB4(60X1.2X9.25)(SB)
SW-115136B	S14-3 Center Slipper Clutch Spring (1.4mm)(GD)



**SPEEDMASTER HOBBY CO., LTD.**

TEL: +886-3-538-7638

FAX: +886-3-538-7328

No.42, Ruiguang St., Xiangshan Dist.,  
Hsinchu City 300, Taiwan (R.O.C.)

**[www.sworkz.com](http://www.sworkz.com)**