

S35-4E

1/8 Off/Road/Brushless/Power



SWORKZ S35-4E INSTRUCTION MANUAL

S35-4E

1/8 Off Road Brushless Power Pro Buggy

INSTRUCTION

The SWORKz S35-4E 1/8 Electric is designed for pure racing. The geometry of the car provides optimized corner speed compared with easy handling and maximum traction.

The S35-4E features a T7075 hard anodized and lightened aluminium chassis with a wide layout that was tested for a long time by our factory pilots to guarantee the best performance.

The totally new developed HET differentials are included too and provide a traction, that is not possible with old systems. We also included the new special middle brace system.

The new S35-4E comes with a lower shock layout in front and rear and the construction of the shocks is adapted to that new optimized layout. The fixed shock spring plates will make it almost impossible to lose them anymore.

The steering geometry, with new Ackerman and steering plates, gives the driver the feeling of total control over the S35-4E. The position of the steering servo is completely redesigned and optimized.

With the toe in plates, which now contain square inserts, you can adjust the geometry of your SWORKz S35-4E to fit to every track layout and track condition. Lower arms in front and rear are made of a newly developed composite material and fit exactly to the new chassis geometry. Side guards were redesigned in the same way.

With the new lightened wing support you can adjust position and angle of the wing to give your SWORKz S35-4E the perfect balance on the track. Together with the optimized new body shell, the aerodynamic system is working perfectly together.

Another new development in our SWORKz S35-4E is the totally new rear hub. Composite material combined with Carbon plates gives you the possibility for various setups. The newly developed Composite material is working perfectly together with the HET differentials to provide maximum traction.

The new designed Motor mount makes it possible to change very easily the motor or adjust the play of the gears. There many more small changes and smart ideas in your new SWORKz S35-4E, that make the car being a real winner.

We also included the new special middle brace system.

The position of the steering servo is completely redesigned and optimized.

The new designed Motor mount makes it possible to change very easily the motor or adjust the play of the gears.

The secret of a modern racing car is the possibility to adapt the setup to every track for top pilots but also have a standard setup that works on most tracks for hobby pilots.

And your SWORKz S35-4E is having these two characteristics in perfection.

The SWORKz development team focused on using materials, corresponding to the highest quality standards, when designing the car. You will find only 100% SWORKz quality in the S35-4E kit.

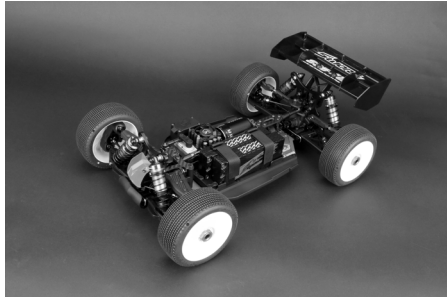
Congratulations on your purchase of the new SWORKz S35-4E 1/8 scale off-road racing buggy pro kit and thanks for trusting in SWORKz.

Please read this manual carefully, before you start to build and drive your SWORKz S35-4E. This manual contains step-by-step instructions to helping you completing, preparing and fine tuning your buggy for racing. Updates, setups, and product news will be posted on all SWORKz digital media.

As always, if you should ever have any questions or need help with your SWORKz products, please feel free to contact our official SWORKz dealers and distributors.

S35-4E Kit Features:

- New T7075 Hard Anodized, Lightend Aluminium Chassis
- New Wide Chassis Design
- New Easy Change Motor Mounting Plate
- New Lower Shock Towers
- New Shorter Shock Bodies
- New Shorter Shock Shafts
- New Shock Caps
- New Shorter Front Shock Springs
- New Fixed Shock Spring Holder
- New 3mm Updated Rear Shock Studs
- New Steering Servo Position
- New Ackerman Plate
- New Steering System
- New Servo Saver Aluminium Part
- New Servo Saver Fixable Nut
- New Servo Saver Plate
- New Servo Saver Post Locking Design
- New Steering Balls
- New Steering Knuckle Plates
- New Updated Toe In Plates with Square Inserts
- New Lightweight Wing Mount
- New Side Guards
- New Lower Front and Rear Arms
- New Body Posts Front and Rear
- New Composite Rear Hubs with Carbon Plates
- New Multi Adjustable Ball System for Rear Upper Arms
- New Anticlock Screws for Shocks
- New Aerodinamically Optimized Body Shell
- 3 HET Differentials Included
- Special Middle Brace System included
- Black Competition Shock Springs included
- Adjustable Wing Position
- Adjustable Wing Angle
- More Balance Weight Positions
- Stronger Downstop Area
- Optimized Composite Material
- Aluminium Parts in T7075
- New Easy Change Motor Mounting Plate (S35-4E)
- New Steering Servo Position (S35-4E)
- Special Middle Brace System included (S35-4E)



Specification	
Length:	510mm
Width:	308mm
Height:	220mm
Ground Clearance:	65mm
Wheelbase:	325-330mm
Track:	F:304mm / R:306mm
Gear Ratio:	C:46/15T, F/R:43/13T
Weight:	3650g (Race condition)

WARRANTY

Your SWORKz S35-4E kit warranty covers workmanship and manufacturing defects of the original and unmodified parts. Warranty claims resulting from crashes, abuse, improper operation, improper mounting, improper adjustment or lack of maintenance will not be honored.

Contact your local hobby shop or SWORKz distributor for all claims and questions. Claims must be well documented. All Claims are subject to expert examination approval by SWORKz.



INTRODUCTION	2
Warranty	3
Required Equipment for Operation	5
Operation Guide	6
Assembly Steps	7-33
Blank Set-up Sheet	34-36
S35-4E Key No. List	37-38
S35-4E Spare Part No. List	38-39
S35-4E Option Part No. List	39
End cover	40

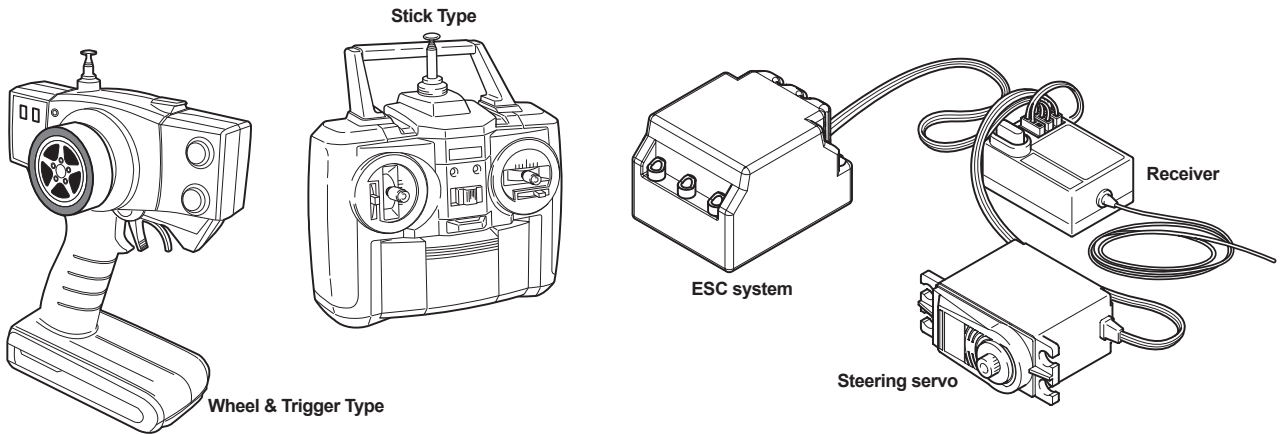


This radio controlled racing car is not a toy!

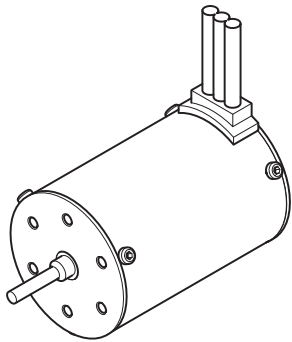
This high-performance R/C model is recommended for ages 14 and older.

Required Equipment for Operation

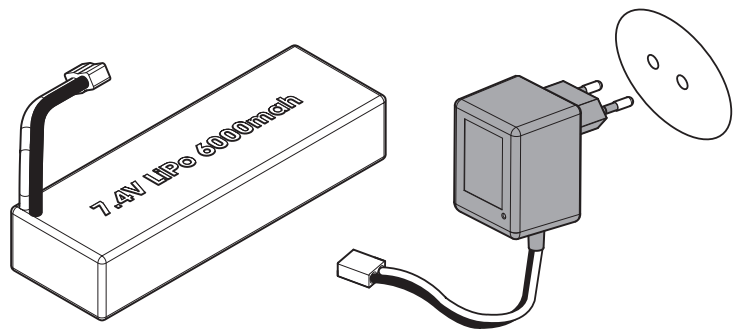
Radio Gear



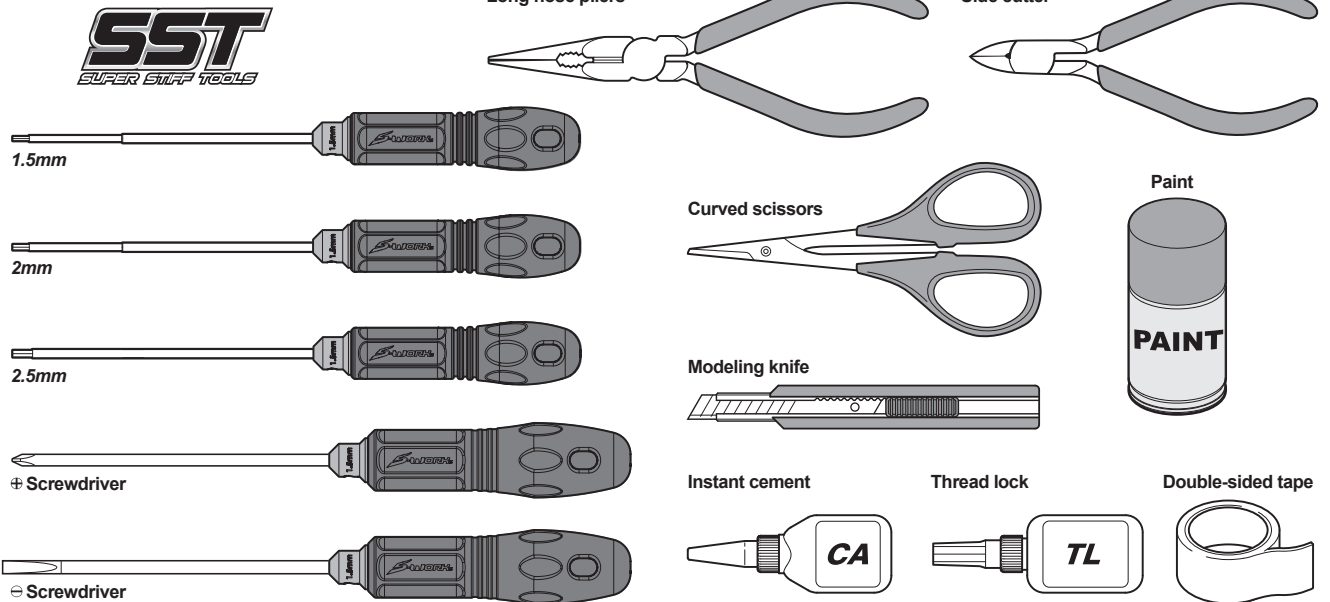
Breshless Motor



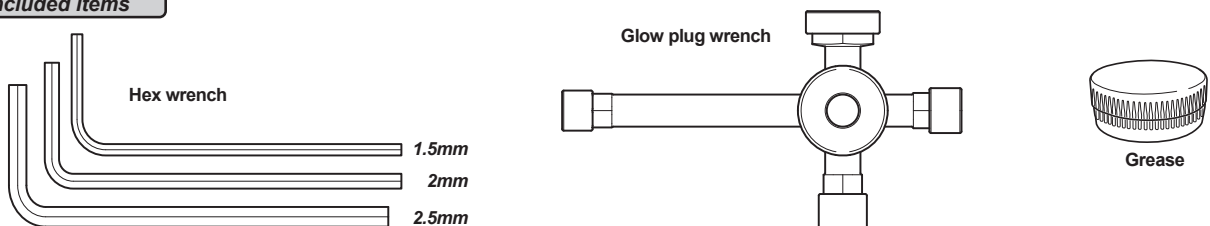
Charger and LiPo Battery



Tools Recommended



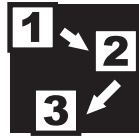
Included items



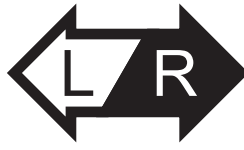
Operation Guide



Assemble front and rear



Assemble in the specified order



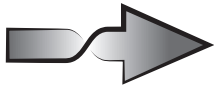
Assemble both left and right sides



Assemble for 2 sets



Assemble for 4 sets



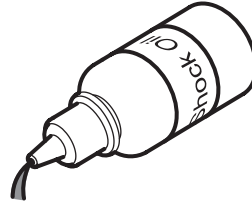
overturn



Thread Locking Compound



Grease



Pure Silicone Oil



Air filter oil

Safety Precautions

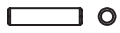
The SWORKz S35-4E is a high performance radio controlled model which needs to be operated with caution and common sense.

The S35-4E Pro Kit is not intended for children under the age of 14 without adult supervision. SWORKz shall not be held liable for any loss or damages, whether direct, indirect, act of nature, arising from the abuse or misuse of this product or any other product required while operating this model.

- The LiPO Battery can be dangerous is improperly handled.
- Always keep your LiPO Battery in a cool area and never use near flame, sparks, or while smoking.
- Keep your LiPO Battery, and all other flammables, out of the reach of children.
- After running your car, all parts of the Motor and ESC can become extremely hot. Be careful not to touch these parts.
- This model is controlled by your radio and that is vulnerable to interference from many outside sources. This interference can cause a loss of control so it is necessary to operate this model in an open area to avoid personal, or property damage. Always ensure turning on your radio first.
- Keep all the products included in the package out of reach of children.
- This model contains many fast rotating parts. Never touch them during operation.
- Follow the instruction included with your radio gear.
- Never operate your model near people or property. The speed of this model has the potential for injury and or damage to people and or property.
- Always use original SWORKz spare and option parts.
- Always ensure the buggy is in proper working condition before use.
- Always exercise caution when using any and all tools.

BAG B

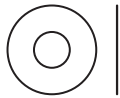
1 **F** **R** **x2**



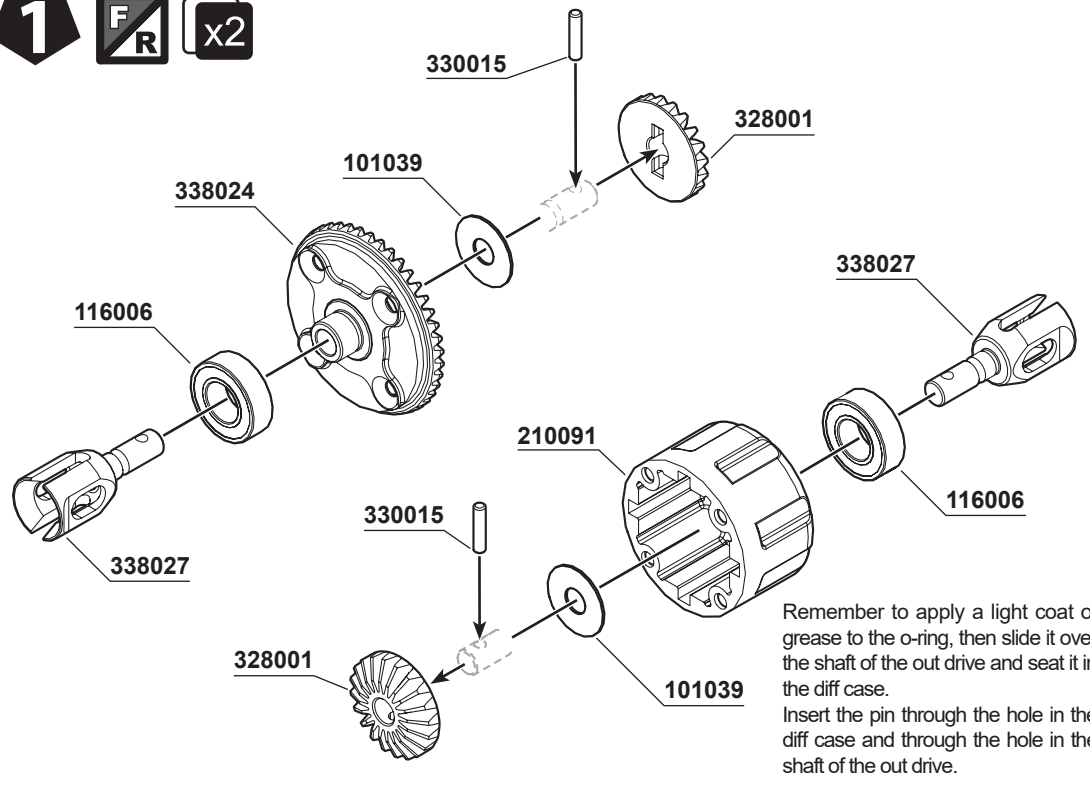
330015
Pin M2.2x9.9mm x4



116006
Ball Bearing 8x16x5mm x4



101039
Washer 5x12x0.3 x2

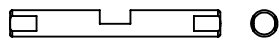


Remember to apply a light coat of grease to the o-ring, then slide it over the shaft of the out drive and seat it in the diff case.
Insert the pin through the hole in the diff case and through the hole in the shaft of the out drive.

2 **F** **R** **x2**



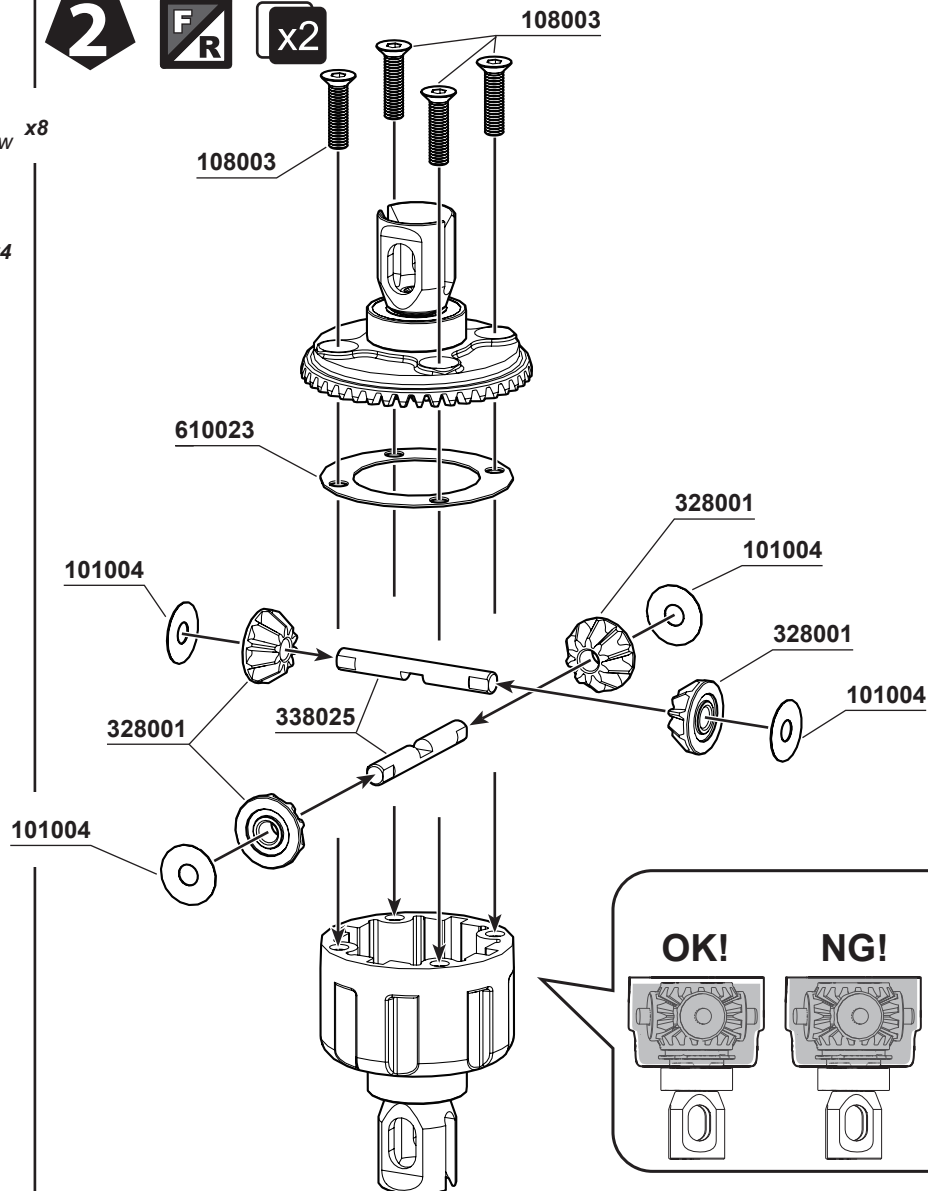
108003
M3x10mm FH/ST HEX Screw x8



338025
S35-3W Bevel Gear Shaft x4



101004
Washer 3.5X10X0.2mm x8

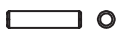


OK!

NG!

Fill the differentials with oil up to 80% above the satellite gears.
Put the SWORKz Diff. Oil 7000cps for the front Diff. and 3000cps for the rear Diff.

3



330015
Pin M2.2x9.9mm x2



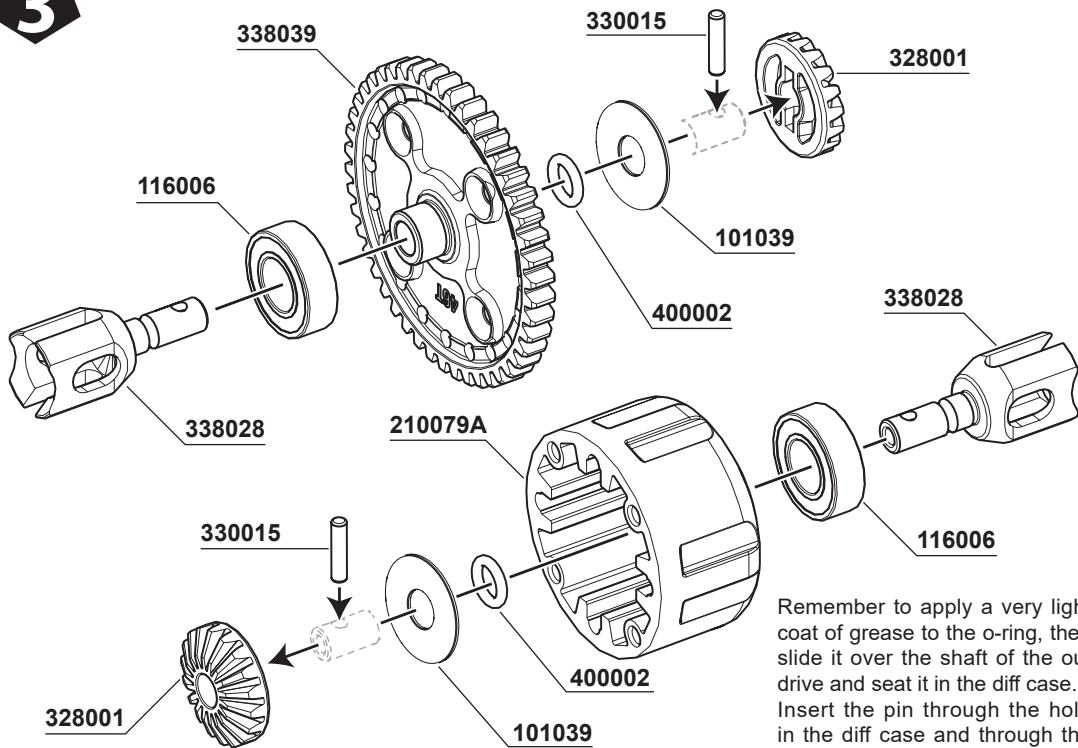
400002
O-ring S5 4.8X1.5 x2



116006
Ball Bearing 8x16x5mm x2



101039
Washer 5x12x0.3 x2

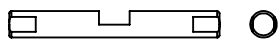


Remember to apply a very light coat of grease to the o-ring, then slide it over the shaft of the out drive and seat it in the diff case. Insert the pin through the hole in the diff case and through the hole in the shaft of the out drive.

4



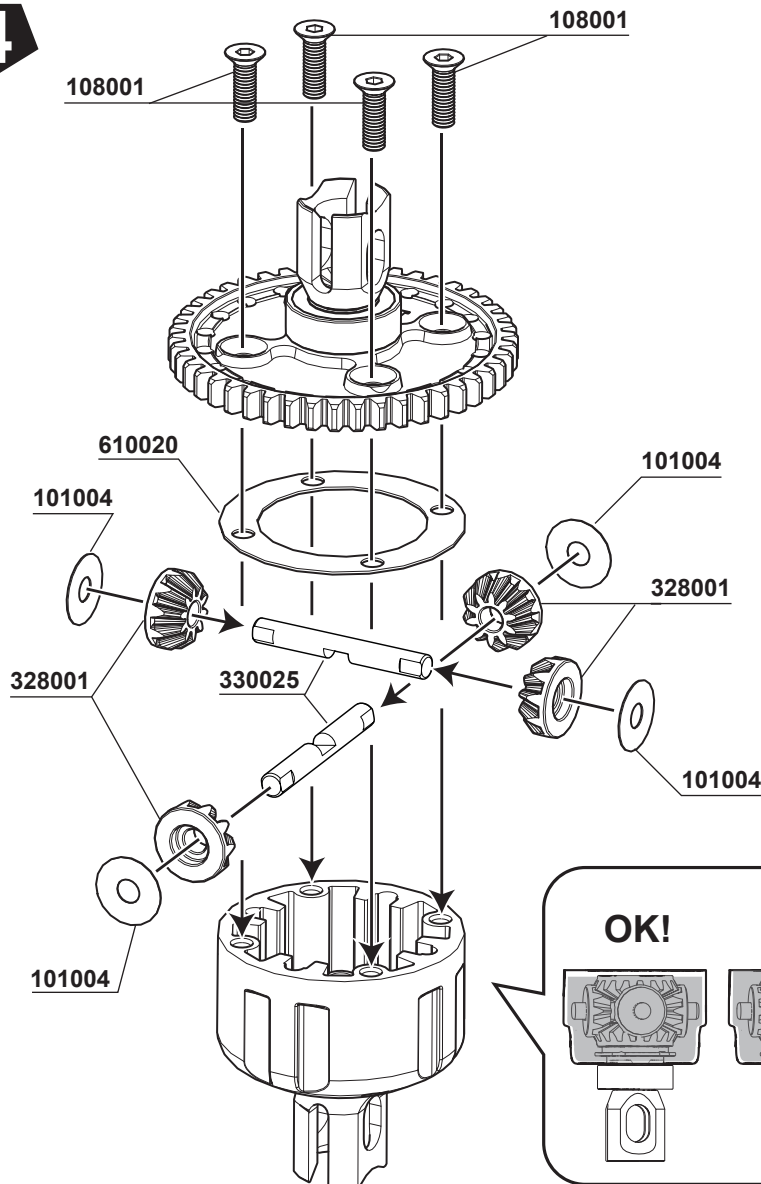
108001
M3x12mm FH/ST HEX Screw x4



338025
S35-3W Bevel Gear Shaft x4



101004
Washer 3.5X10X0.2mm x4



OK!

NG!

Fill the differentials with oil up to 80% above the satellite gears. Put the SWORKz Diff. Oil 7000cps for the center Diff.

Pro Tip:
Before installing the M5x4 set screw (104010),
remember to clean the set screw and center driver joint (330661A) first.
Then apply TLC on the set screw.



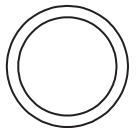
104010
M5x4mm Set Screw (Flat Bottom) **x1**



108001
M3x12mm FH/ST HEX Screw **x4**



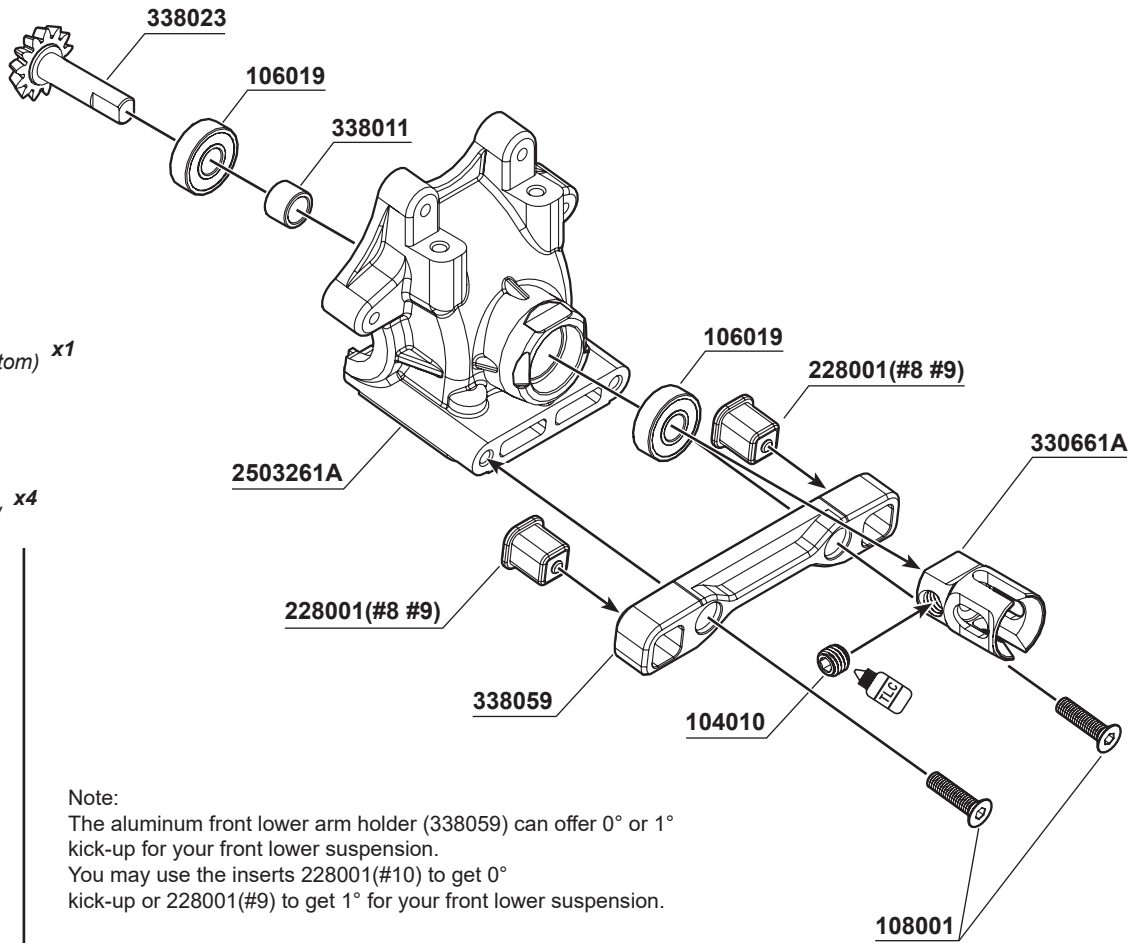
116019
Ball Bearing 5x13x4mm **x2**



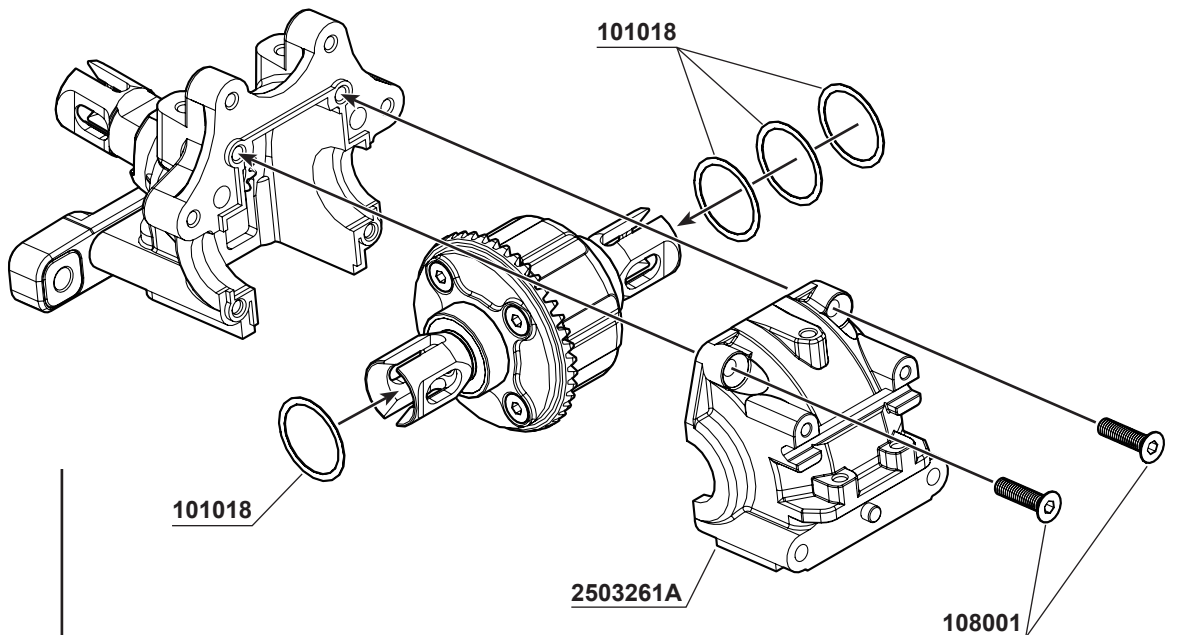
101018
SHIM 13x16x0.2mm **x4**



338011
S35 series Pinion Gear Stopper (5x7x5.1mm) **x1**



Note:
The aluminum front lower arm holder (338059) can offer 0° or 1°
kick-up for your front lower suspension.
You may use the inserts 228001(#10) to get 0°
kick-up or 228001(#9) to get 1° for your front lower suspension.



Note:
101018SHIM 13x16x0.2mm
Please use 13x16x0.2mm shims to adjust the play between the crown gear and pinion gear.
Standard suggestion is 1pc shim on the diff crown gear side and 3 pcs on the other side.

BAG D

6 Rear

Pro Tip:
Before installing the M5x4 set screw (104010), remember to clean the set screw and center driver joint (330661A) first. Then apply TLC on the set screw.

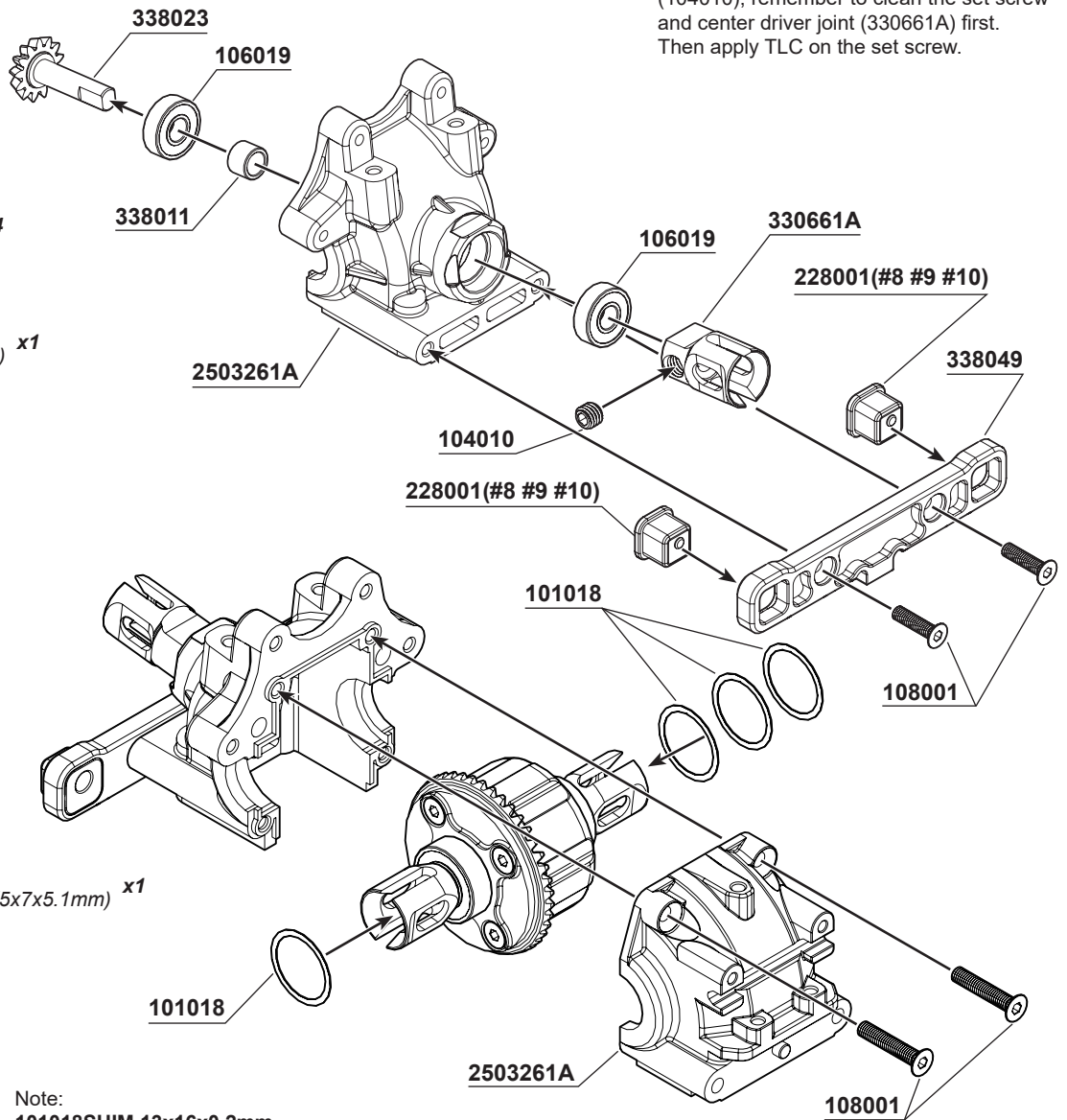
108001
M3x12mm FH/ST HEX Screw x4

104010
M5x4mm Set Screw (Flat Bottom) x1

116019
Ball Bearing 5x13x4mm x2

101018
SHIM 13x16x0.2mm x4

338011
S35 series Pinion Gear Stopper (5x7x5.1mm) x1



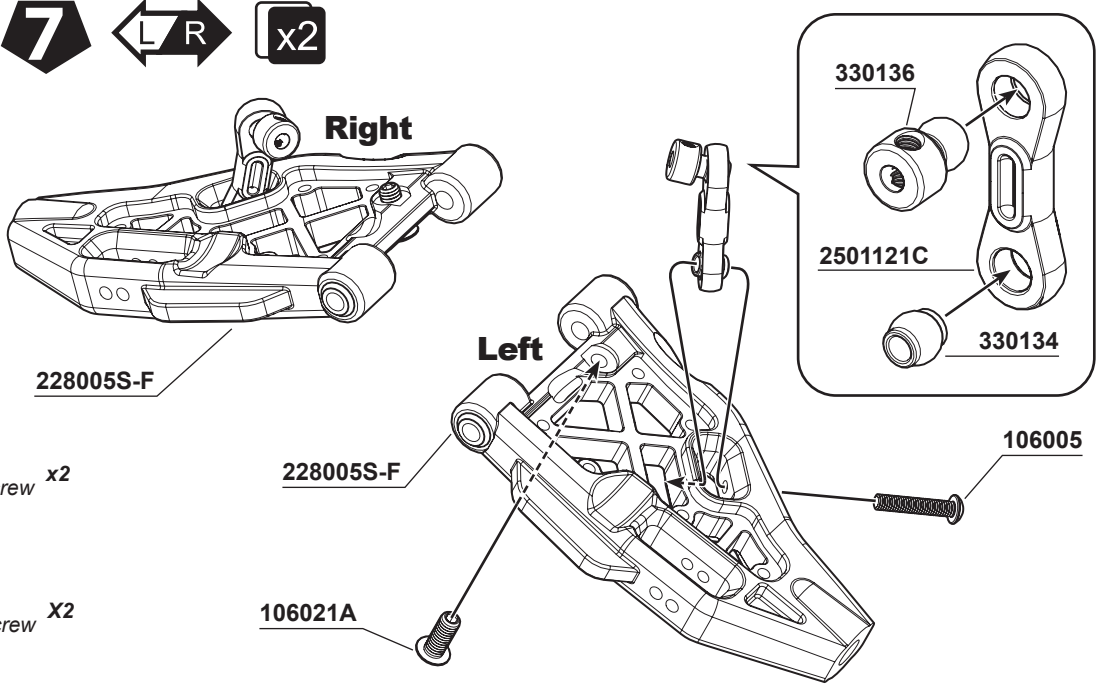
Note:
101018SHIM 13x16x0.2mm
Please use 13x16x0.2mm shims to adjust the play between the crown gear and pinion gear. Standard suggestion is 1pc shim on the diff crown gear side and 3 pcs on the other side.

BAG E1

7 x2

106005
M3x15mm Hex Socket OH/TP Screw x2

106021A
M4x10mm Hex Socket OH/TP Screw x2

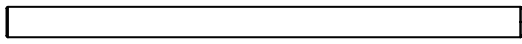
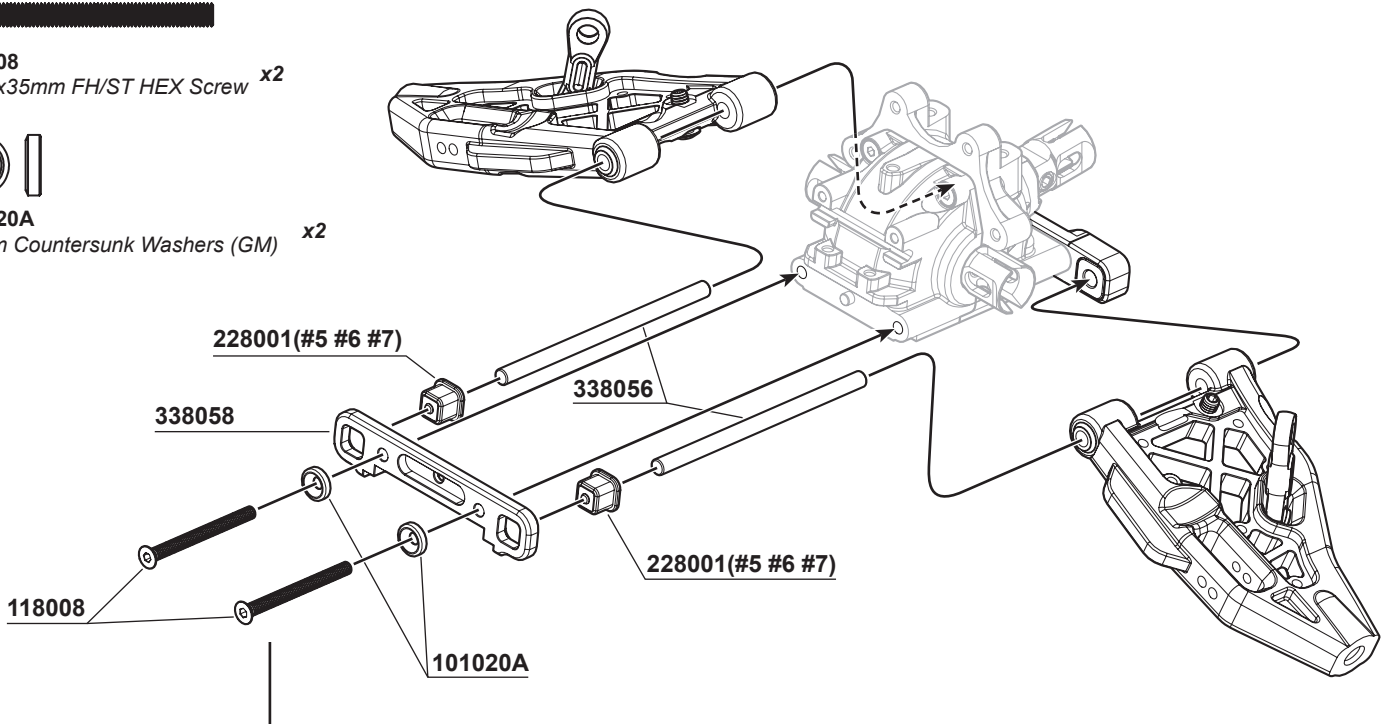




108008
M3x35mm FH/ST HEX Screw x2



101020A
3mm Countersunk Washers (GM) x2

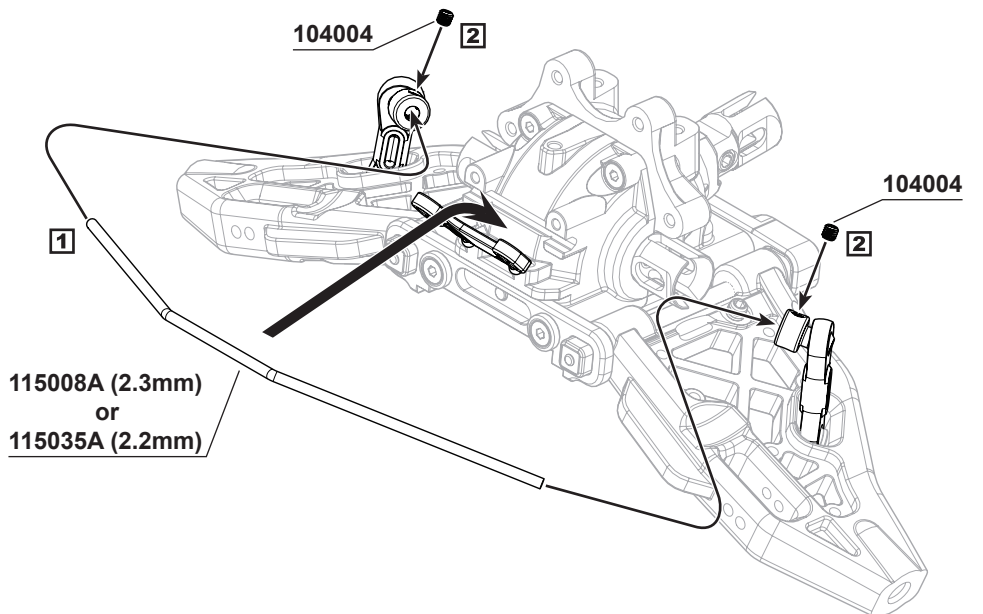
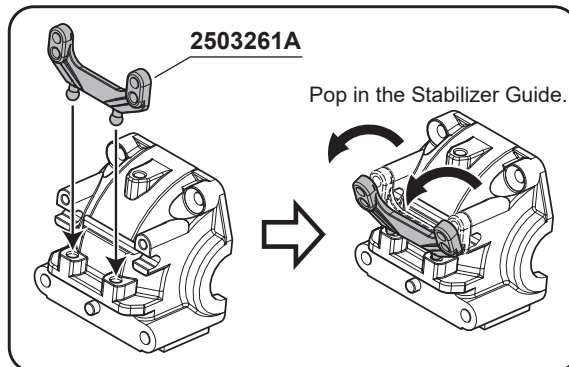


338056
S35-4 Series Lower Arm Hinge Pin (68.5mm) x2

9



104004
M3x3mm Set Screw x2

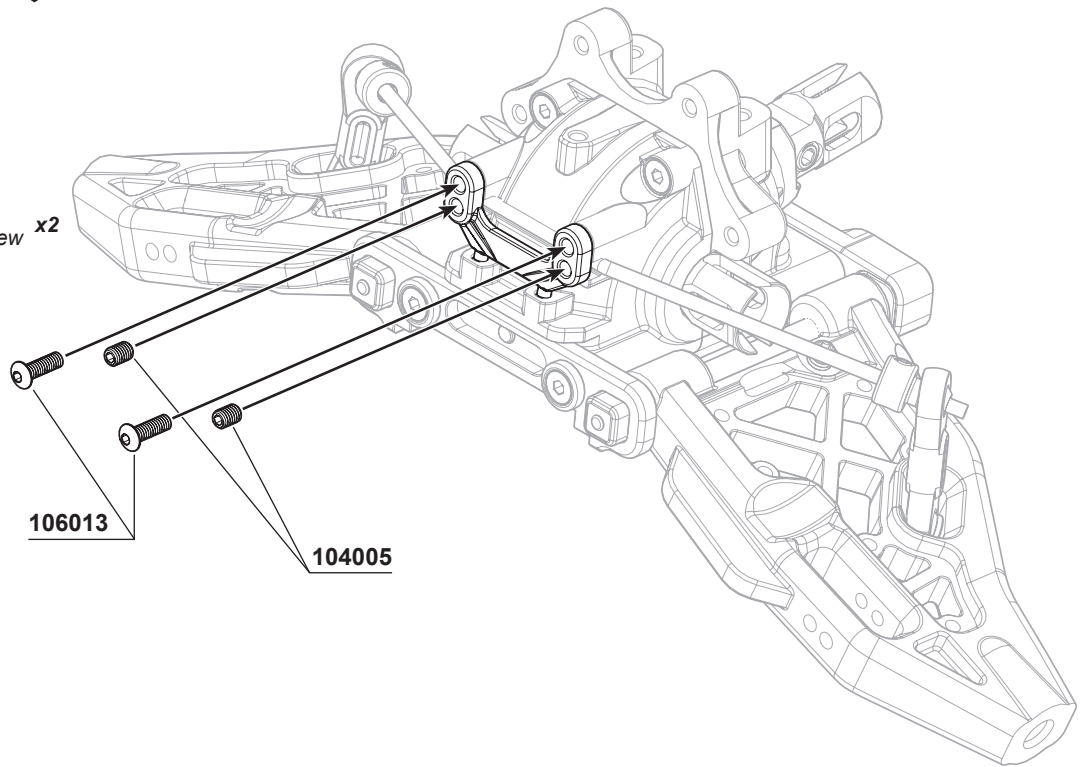




104005
M3x4mm Set Screw x2



106013
M2.5x8mmH ex Socket OH/TPScrew x2

**106013****104005****11****x2**

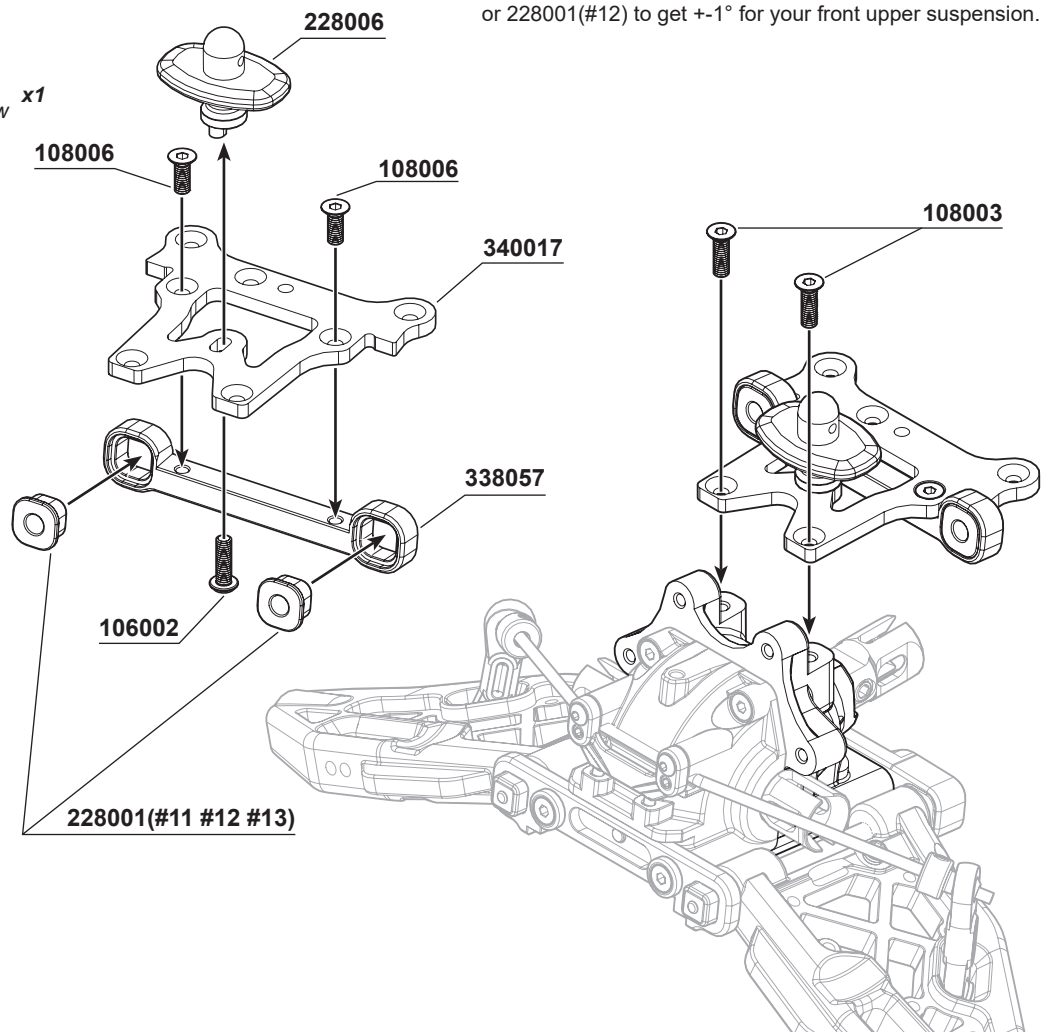
106002
M3x10mm Hex Socket OH/TP Screw x1



108003
M3x10mm FH/ST HEX Screw x2



108006
M3x8mm FH/ST HEX Screw x2

**228006****108006****108006****340017****108003****338057****106002****228001(#11 #12 #13)**

Note:

The aluminum front upper arm holder (338057) can offer either 0° or + -1° kick-up for your front upper arm suspension. You may use the inserts 228001(#13) to get 0° kick-up or 228001(#12) to get +-1° for your front upper suspension.



108001
M3x12mm FH/ST HEX Screw x4



106015
M3x5mm Hex Socket OH/TP Screw x2



330119
Front Upper Arm HingPin x2

338054
228001(#14 #15 #16)

106015

108001

330119

228001(#14 #15 #16)

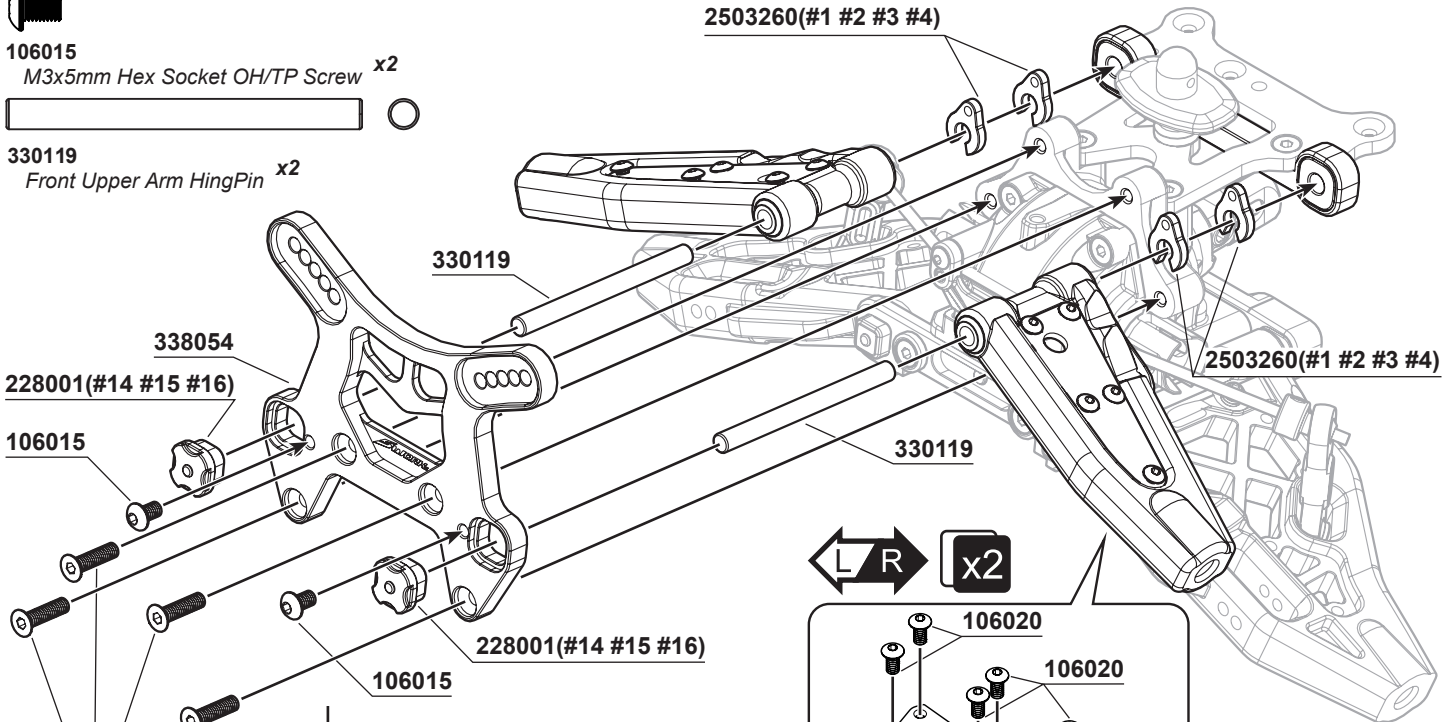
106015

Note:
2503260-1
S35-3 Front Upper Arm Adjust Insert (0.9mm)
2503260-2
S35-3 Front Upper Arm Adjust Insert (1.0mm)
2503260-3
S35-3 Front Upper Arm Adjust Insert (1.1mm)
2503260-4
S35-3 Front Upper Arm Adjust Insert (2.0mm)

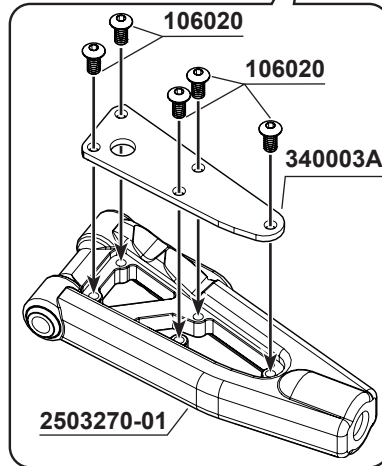
Note:
2503260-9
S35-3 Front Shock Tower Upper Arm Holder Insert (+/- 1.0 Degree)
2503260-10
S35-3 Front Shock Tower Upper Arm Holder Insert (0 Degree)

Pro Tip:
The S35-3 Front Upper Arm Adjust Inserts can give different steering adjustments (Ackerman). Put all inserts behind the front upper arms, you will get faster steering response. Otherwise put all inserts in front of the upper arms, you will get more stable steering response. Try to use 2503260-1 or 2503260-3 to adjust the front upper arm position.

2503260(#1 #2 #3 #4)



L R **x2**



106020
M2.5x5mm Hex Socket OH/TP Screw x10

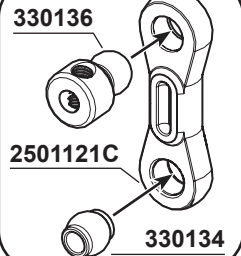
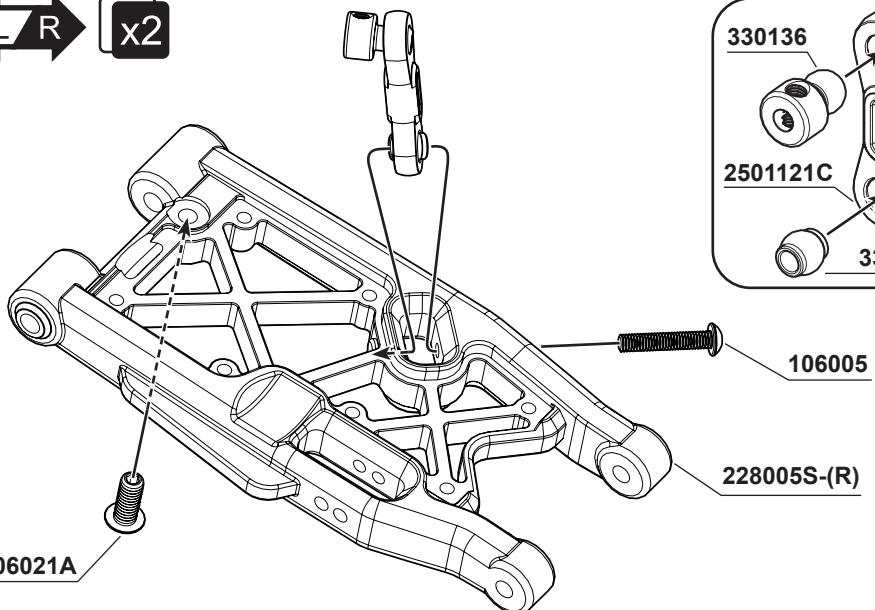


106005
M3x15mm Hex Socket OH/TP Screw x2



106021A
M4x10mm Hex Socket OH/TP Screw x2

106021A



106005

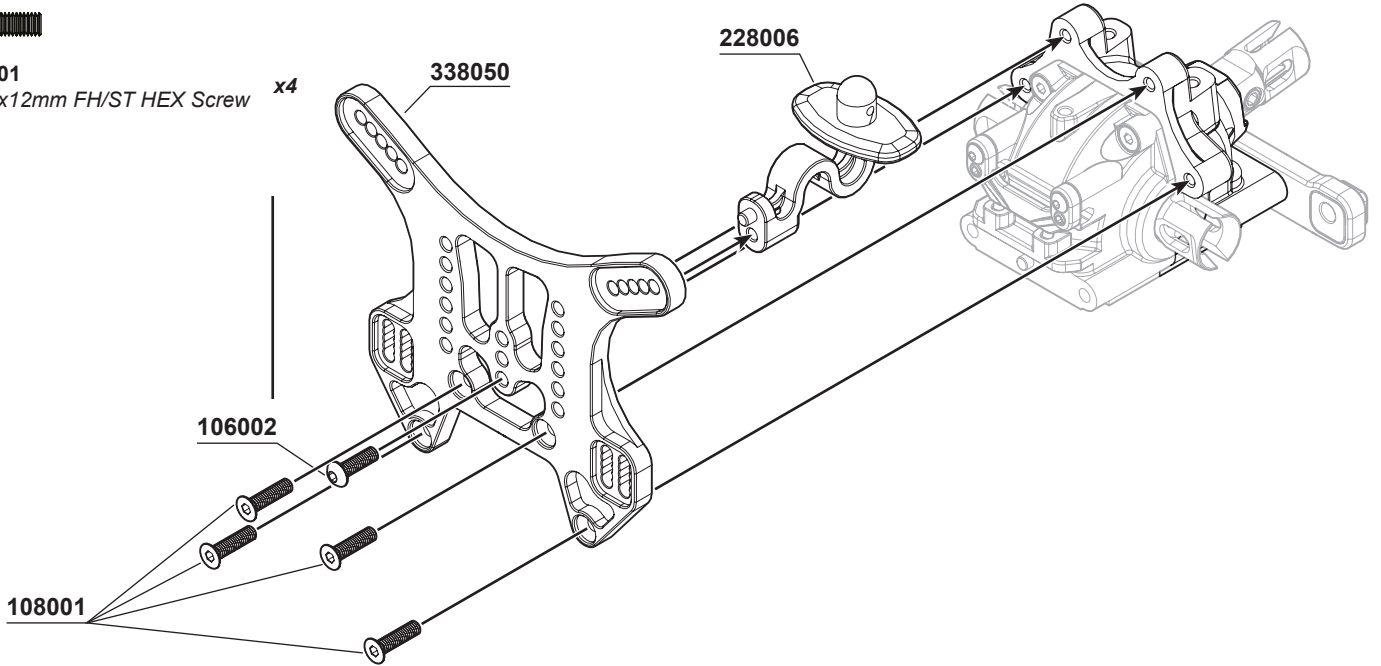
228005S-(R)



106002
M3x10mm Hex Socket OH/TP Screw **x1**



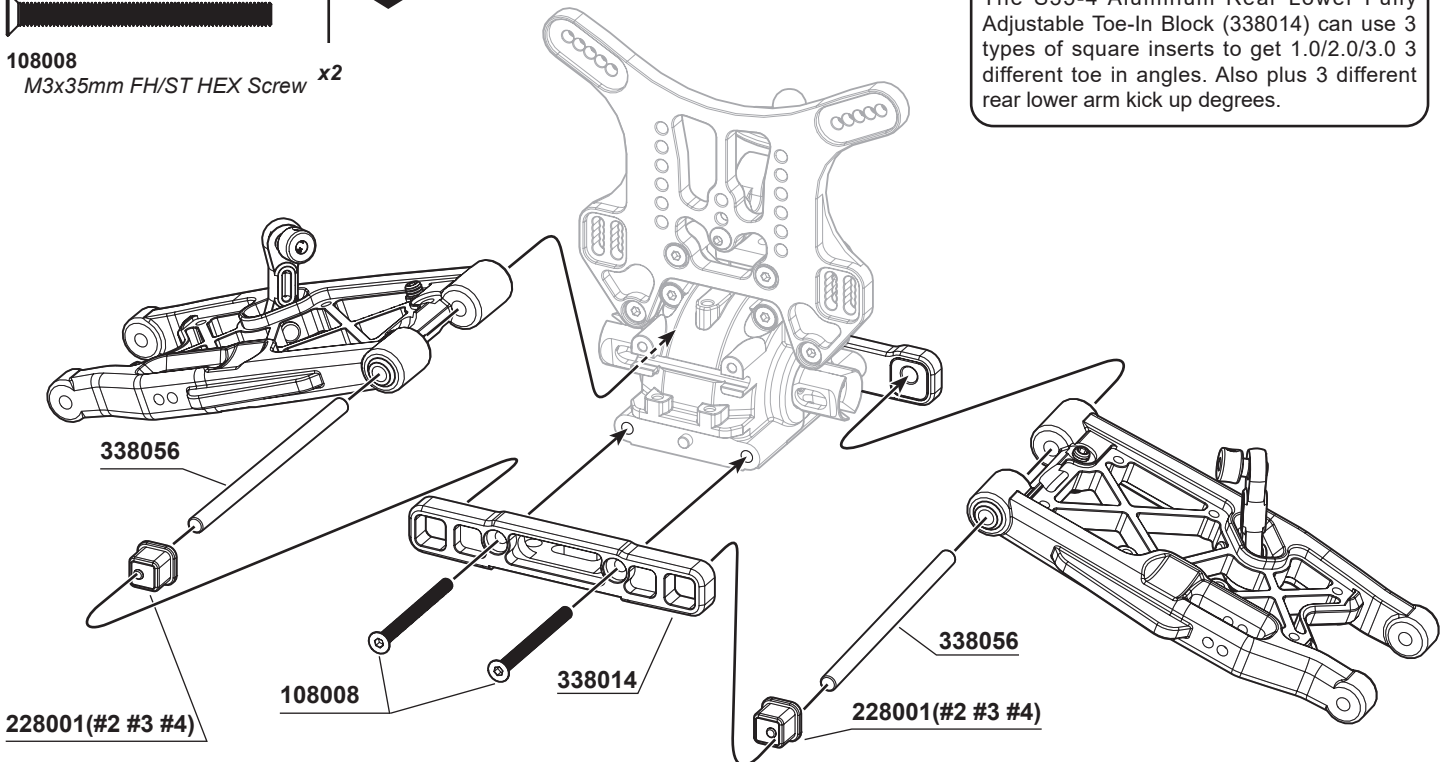
108001
M3x12mm FH/ST HEX Screw **x4**



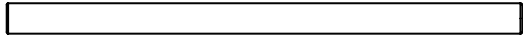
15



108008
M3x35mm FH/ST HEX Screw **x2**



PRO TIP:
The S35-4 Aluminum Rear Lower Fully Adjustable Toe-In Block (338014) can use 3 types of square inserts to get 1.0/2.0/3.0 3 different toe in angles. Also plus 3 different rear lower arm kick up degrees.

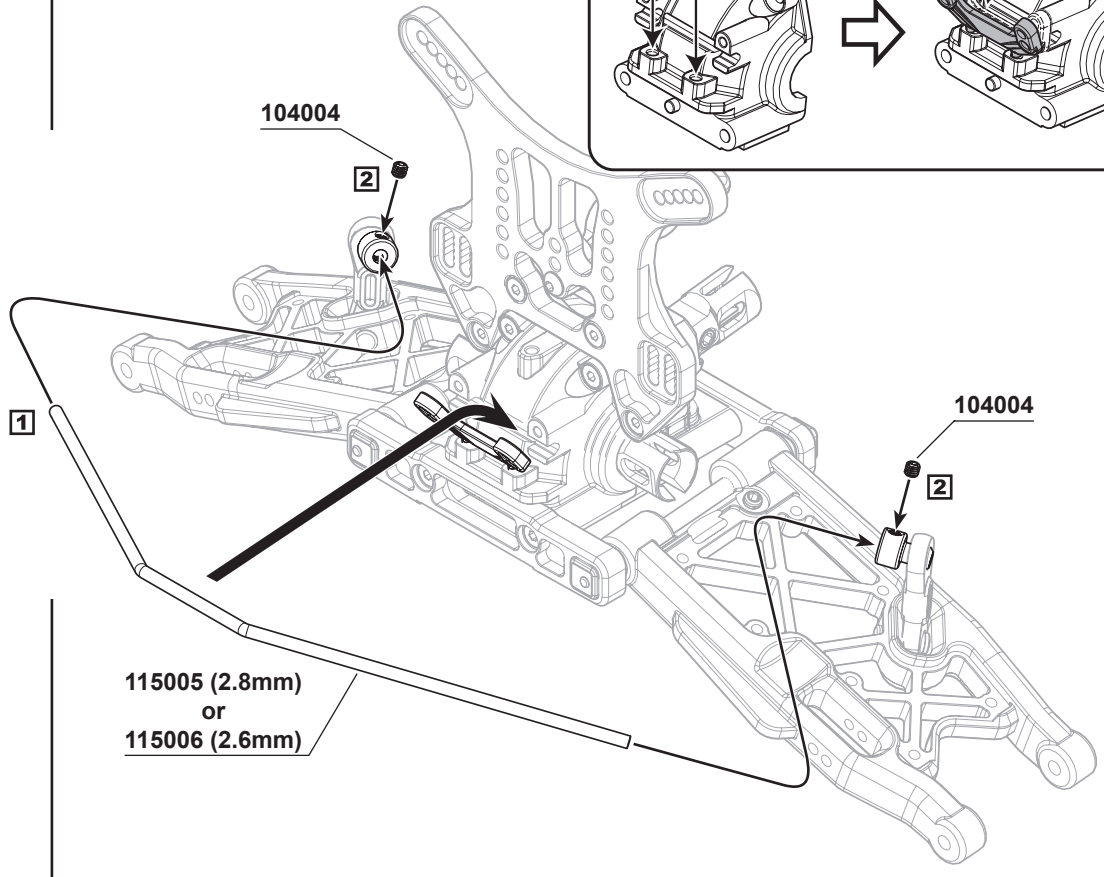
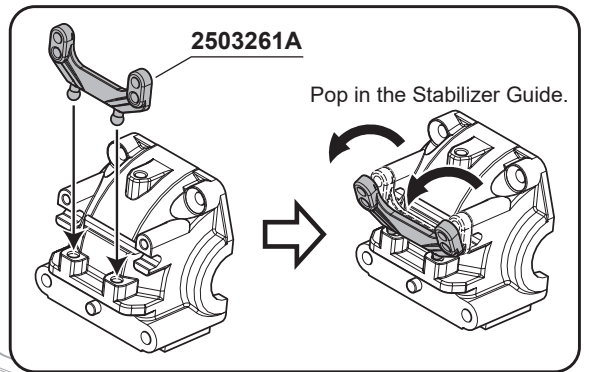


338056
S35-4 Series Lower Arm Hinge Pin (68.5mm) **x2**

OPTION:
228001-2 S35-4 Series Rear Lower Arm Holder Square Insert (+1/+1)
228001-3 S35-4 Series Rear Lower Arm Holder Square Insert (0/+1)
228001-4 S35-4 Series Rear Lower Arm Holder Square Insert (0)



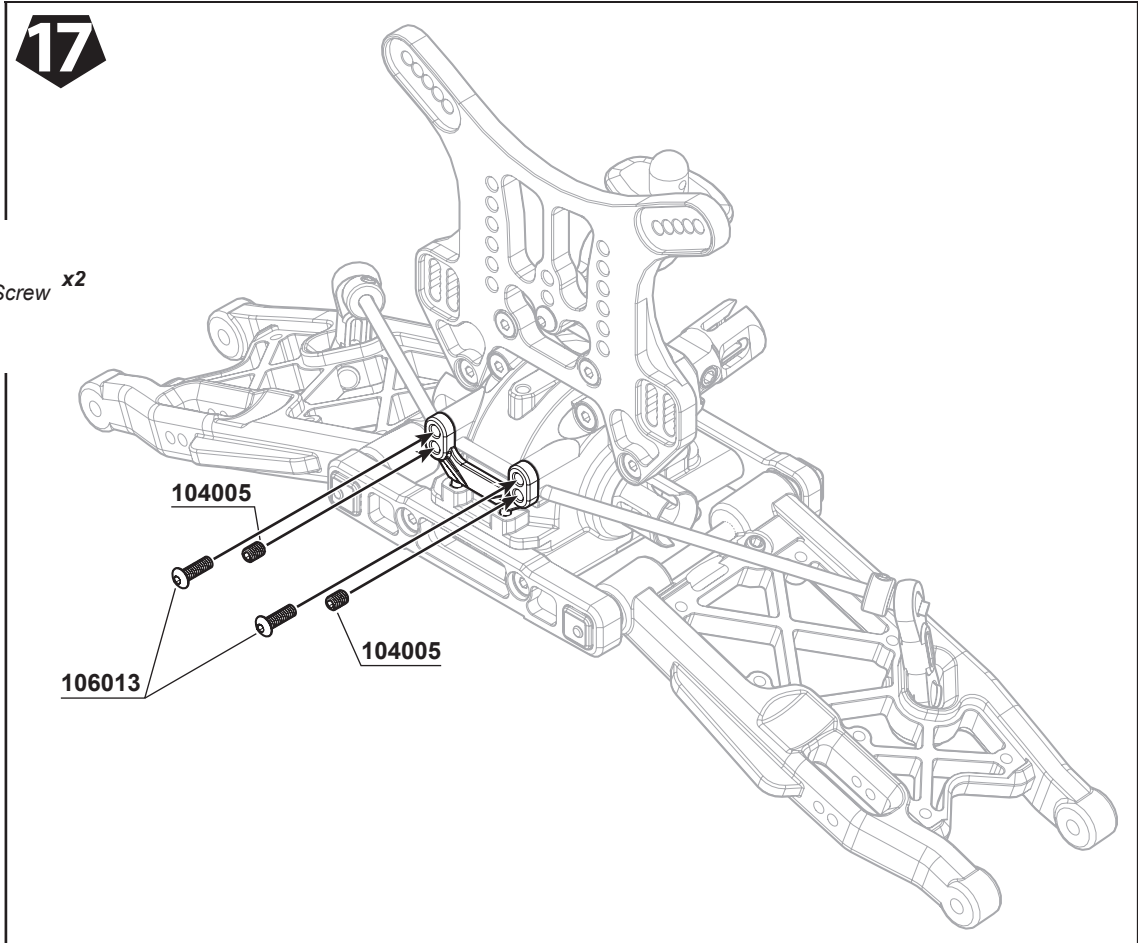
104004
M3x3mm Set Screw x2



104005
M3x4mm Set Screw x2

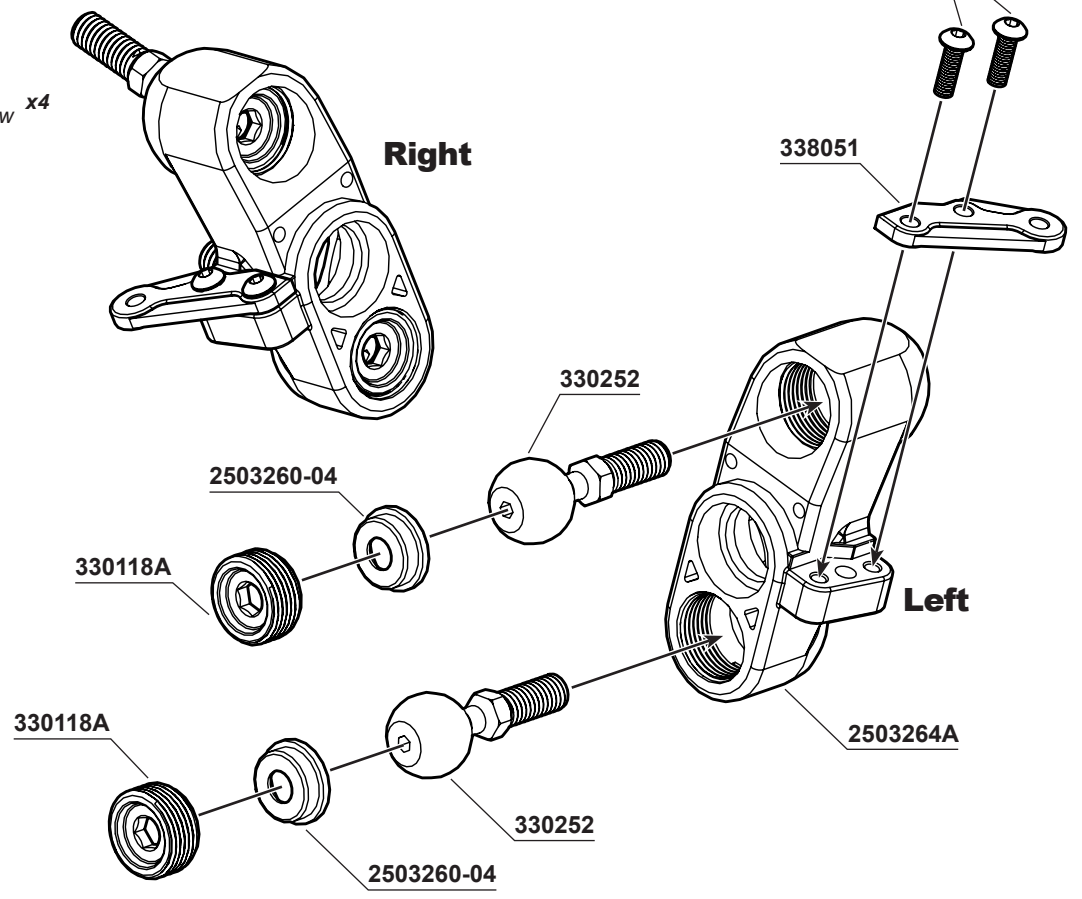


106013
M2.5x8mmH ex Socket OH/TPScrew x2





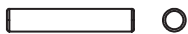
106002
M3x10mm Hex Socket OH/TP Screw x4



Screw and adjust 330118A Knuckle Pivot Ball Nut so as the pivot ball can be moved smoothly.



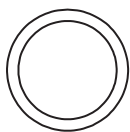
104010
M5x4mm Set Screw (Flat Bottom) x2



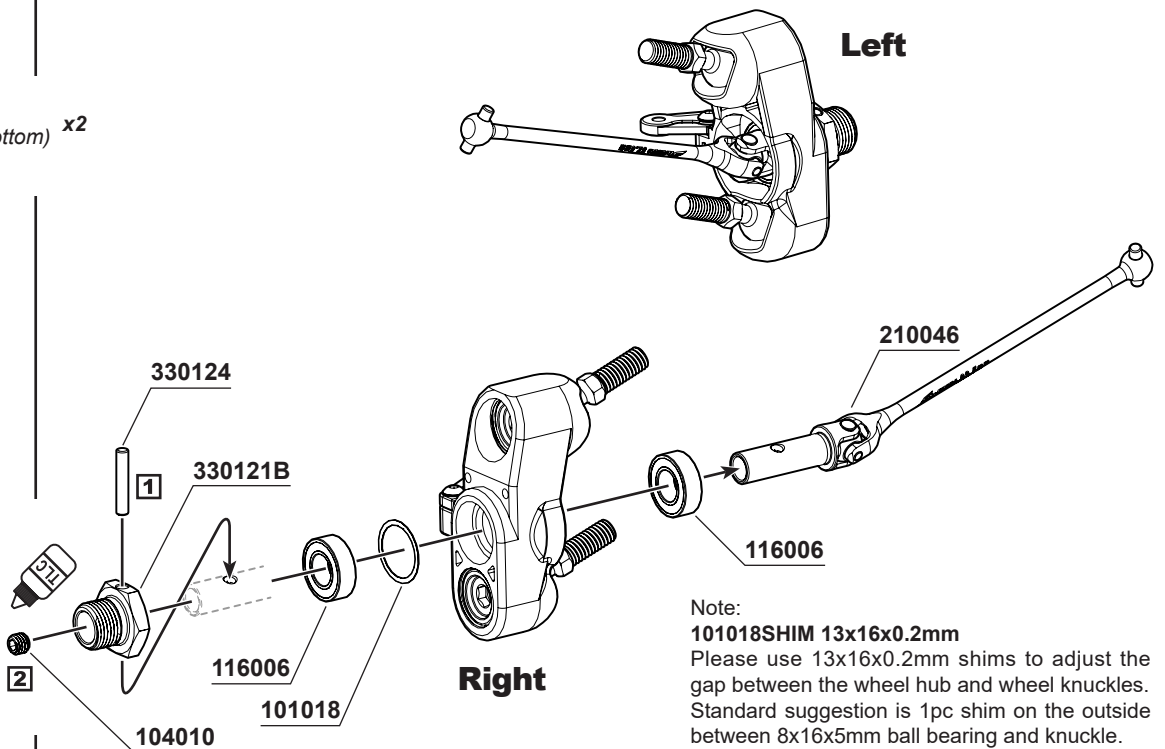
330124
Pin M3.0x16.8mm x2



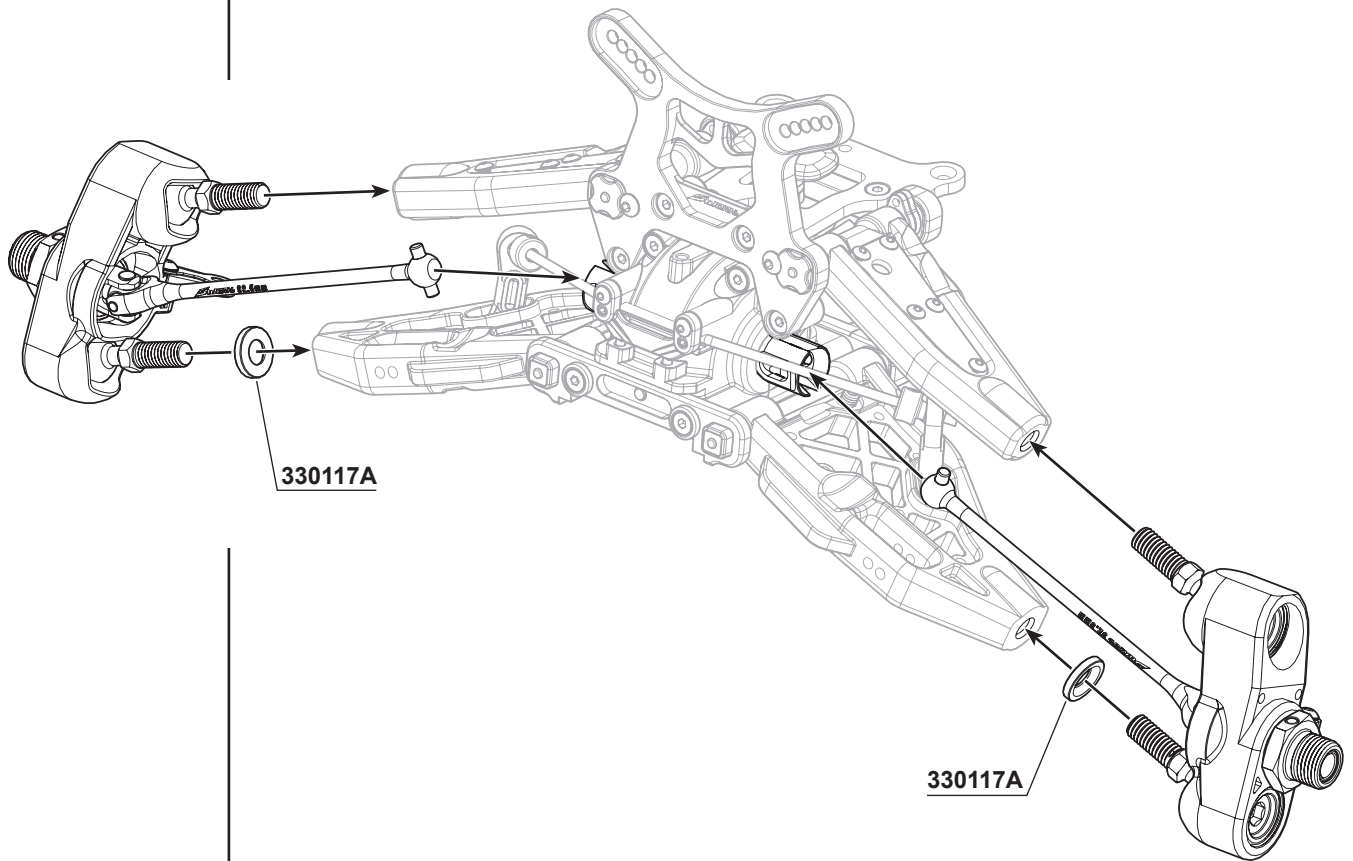
116006
Ball Bearing 8x16x5mm x4



101018
SHIM 13x16x0.2mm x2



Note:
101018SHIM 13x16x0.2mm
Please use 13x16x0.2mm shims to adjust the gap between the wheel hub and wheel knuckles. Standard suggestion is 1pc shim on the outside between 8x16x5mm ball bearing and knuckle. If the wheel hub still has big play with knuckle, please try to put another shim in another side between ball bearing and knuckle.



103001
M3 Nut Lock x2



101021
M3x8xT1mm x2



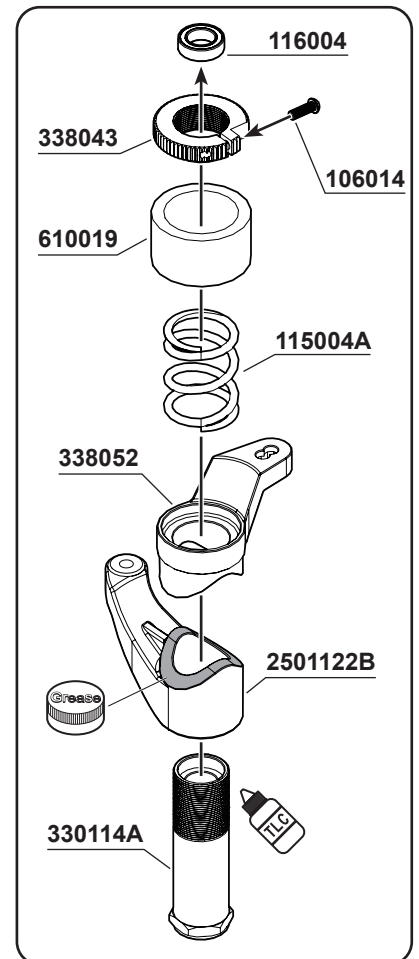
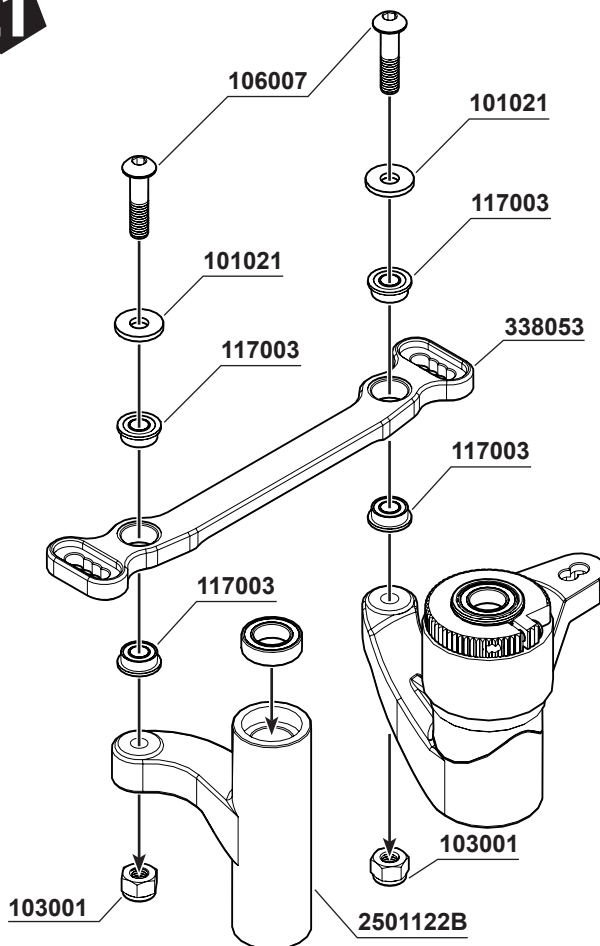
117003
Flange Ball Bearing 3x6x2.5mm x4



116004
Ball Bearing 6x10x3mm x1



106007
M3x12mm Hex Socket
OH/TP Screw(HT) x2



BAG E2



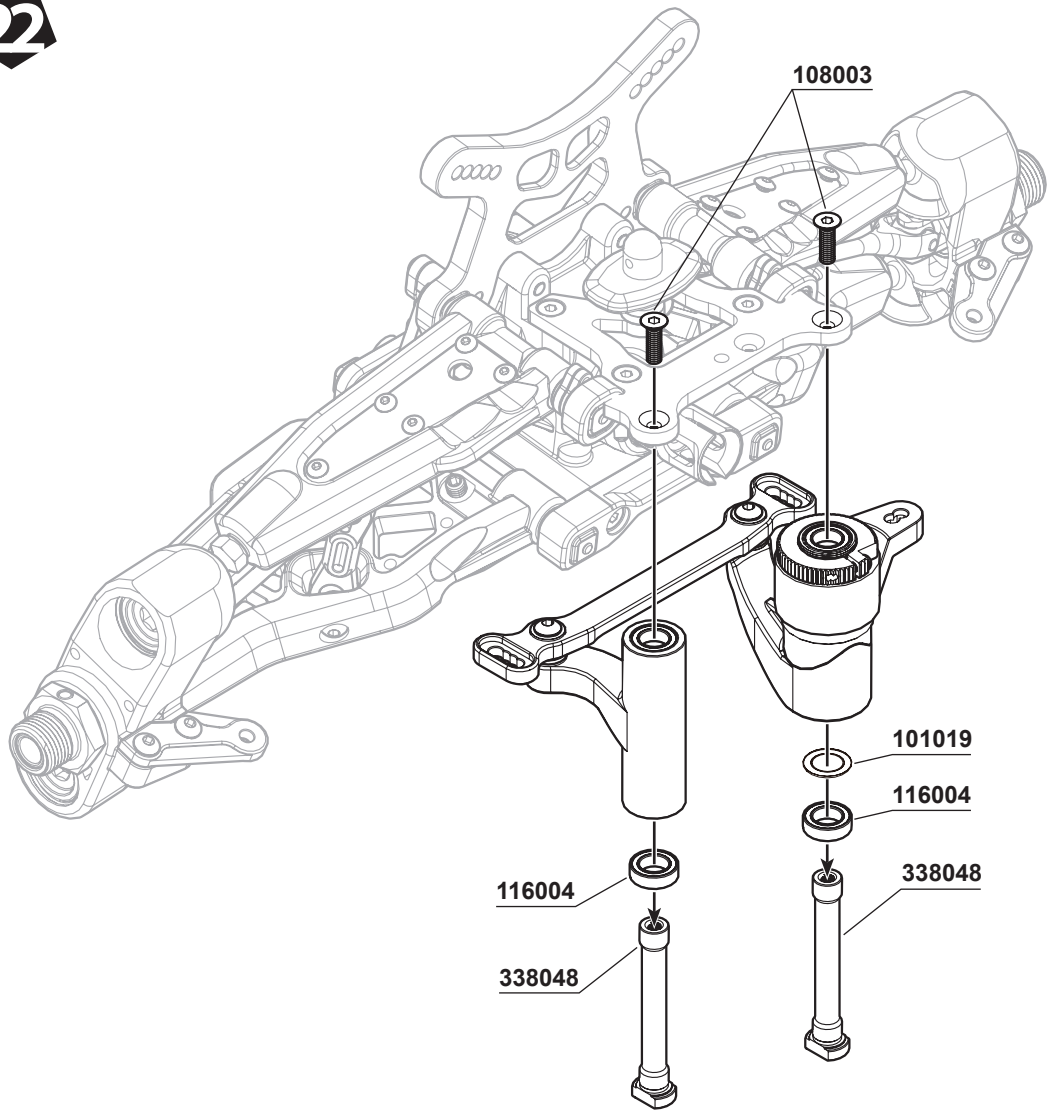
108003
M3x10mm FH/ST HEX Screw x2



116004
Ball Bearing 6x10x3mm x2



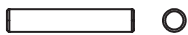
101019
SHIM 6.0x10.0x0.2mm x1



BAG E3



104010
M5x4mm Set Screw (Flat Bottom) x2



330124
Pin M3.0x16.8mm x2



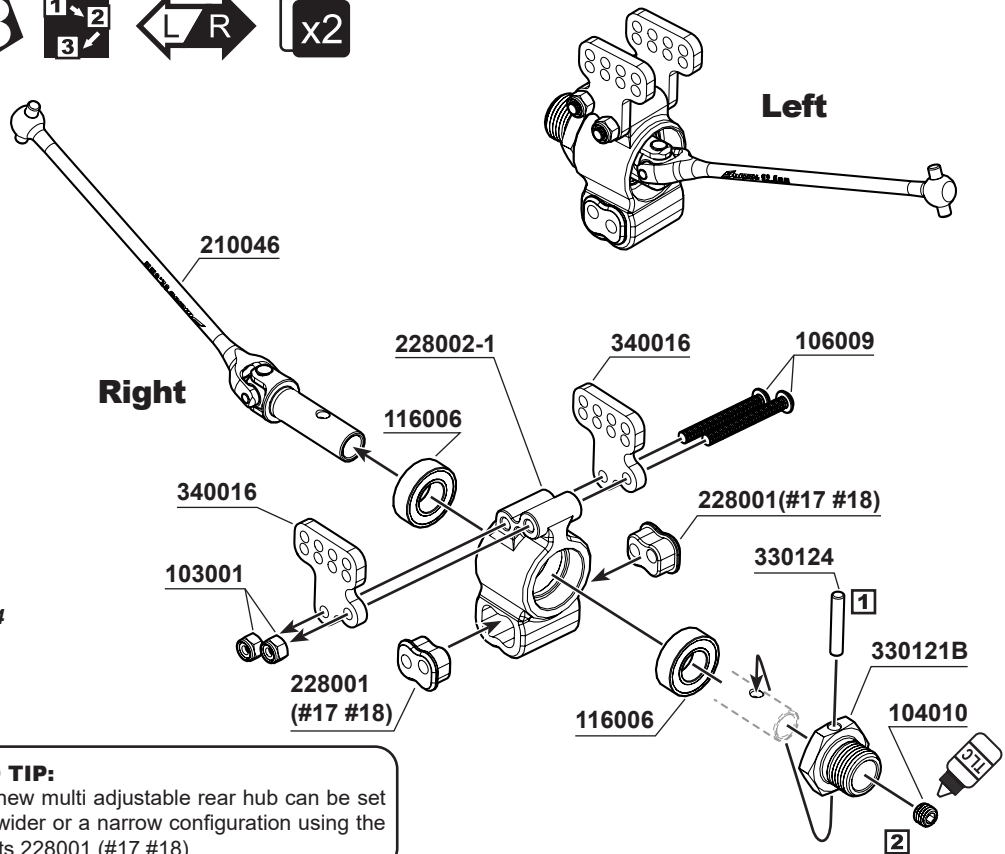
116006
Ball Bearing 8x16x5mm x2



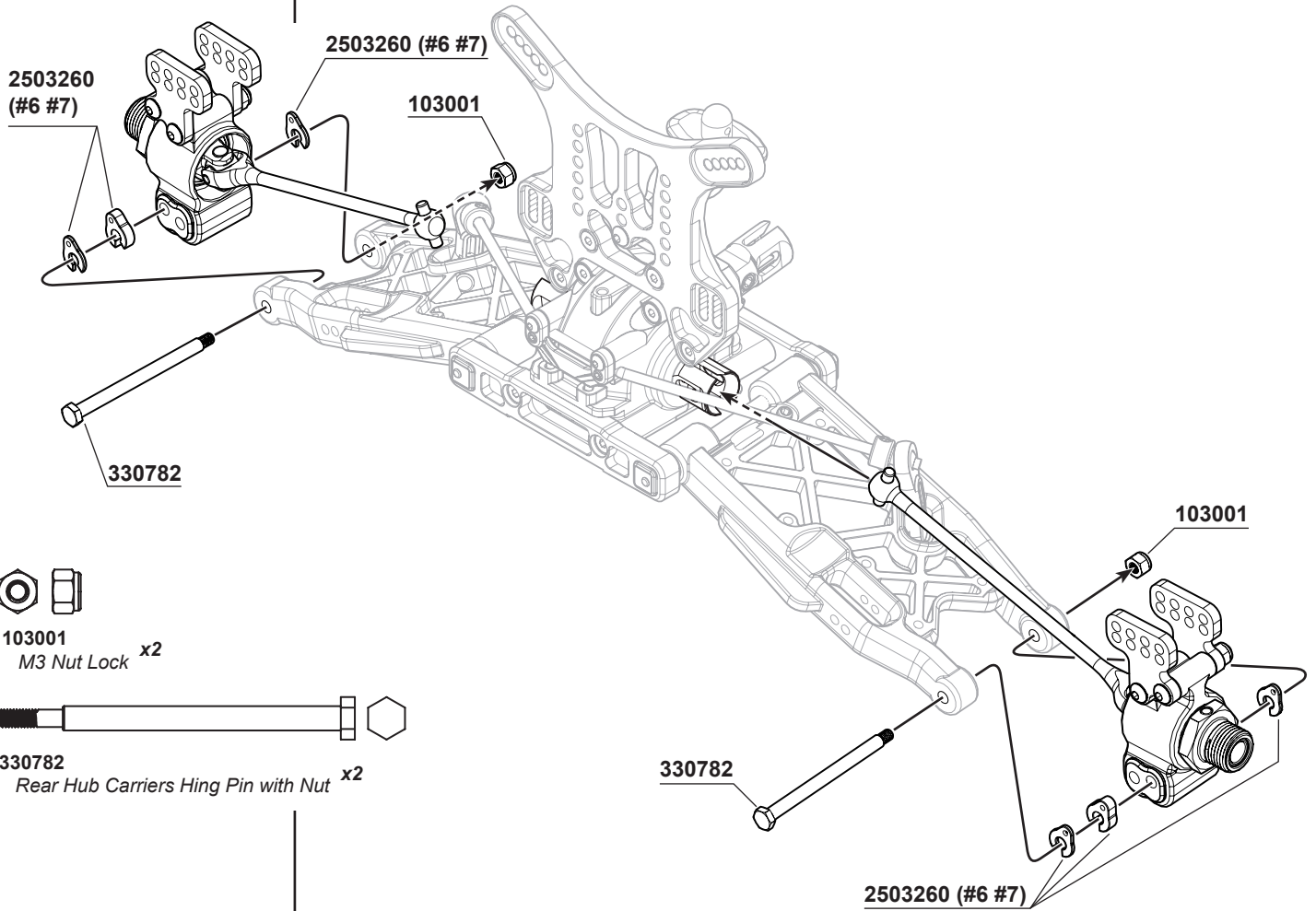
106009
M3x25mm Hex Socket OH/TP Screw x4



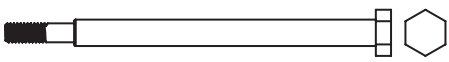
103001
M3 Nut Lock x4



PRO TIP:
The new multi adjustable rear hub can be set to a wider or a narrow configuration using the inserts 228001 (#17 #18)



103001
M3 Nut Lock x2



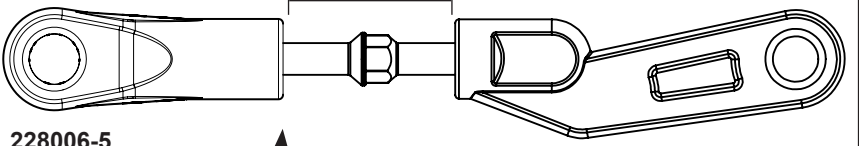
330782
Rear Hub Carriers Hing Pin with Nut x2

25

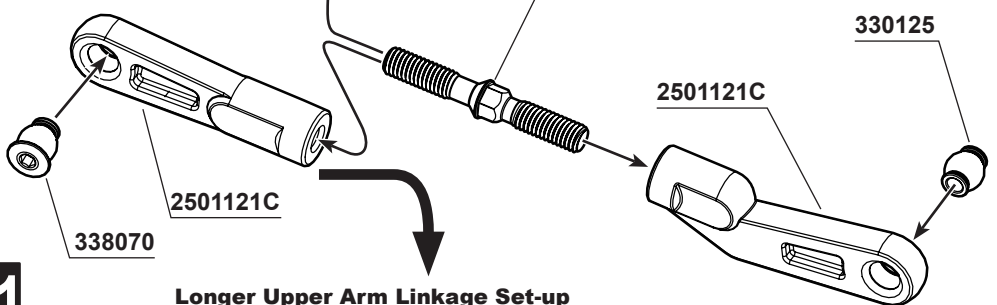
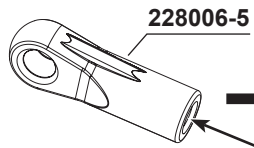


Shorty Upper Arm Linkage Set-up

22.85 mm

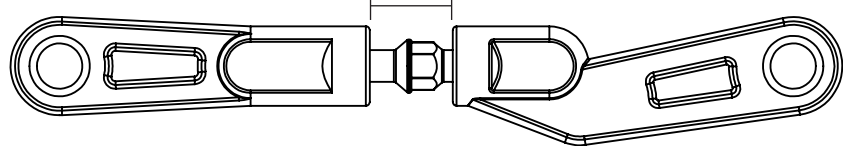


330123A
Rear Upper Sus. Arm Turnbuckles x2



Longer Upper Arm Linkage Set-up

9.85mm



26  **x2**



106002
M3x10mm Hex Socket OH/TP Screw **x2**



106009
M3x25mm Hex Socket OH/TP Screw **x2**



103001
M3 Nut Lock **x2**

106009

106002

228001

103001

228001

106009

106002

Shorty Upper Arm Linkage Set-up

103001

27



103001
M3 Nut Lock **x4**



106003
M3x16mm Hex Socket OH/TP Screw **x4**



108019
M2.6x6mm Flat Head Screw - Hex Socket **x2**

103001

228003

228003

228003S(#3)

108019

228003S(#3)

228003S

106003

OPTION:

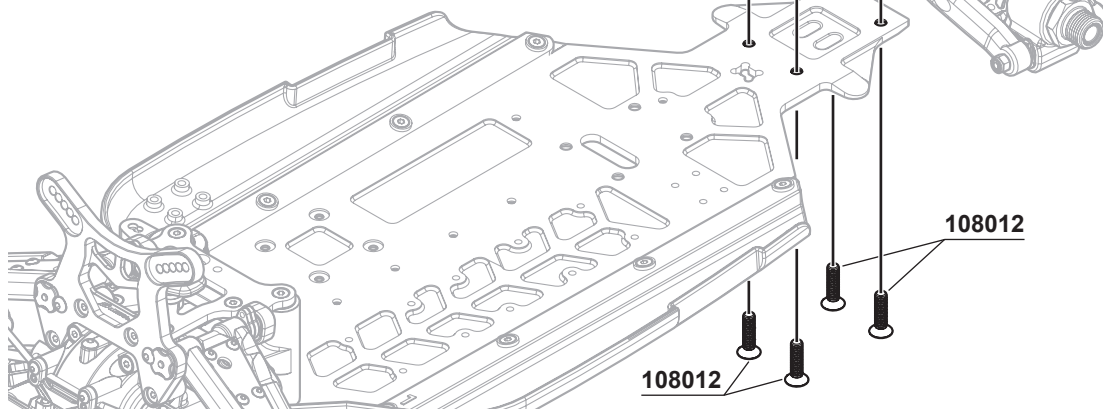
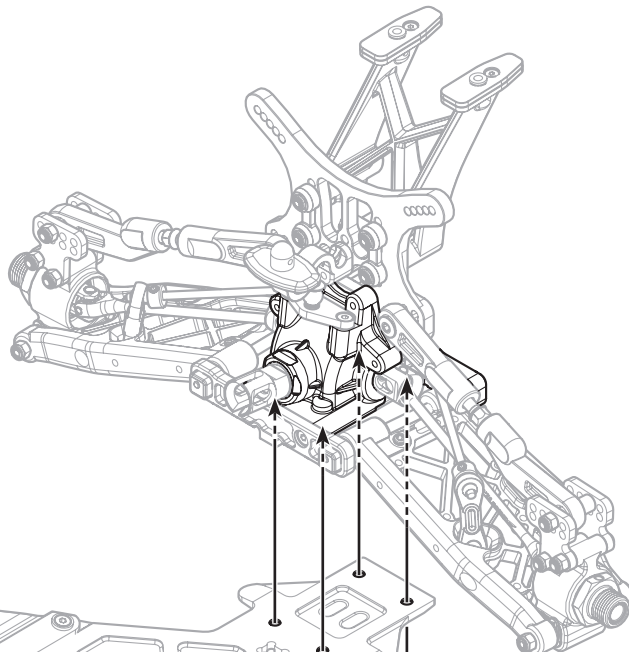
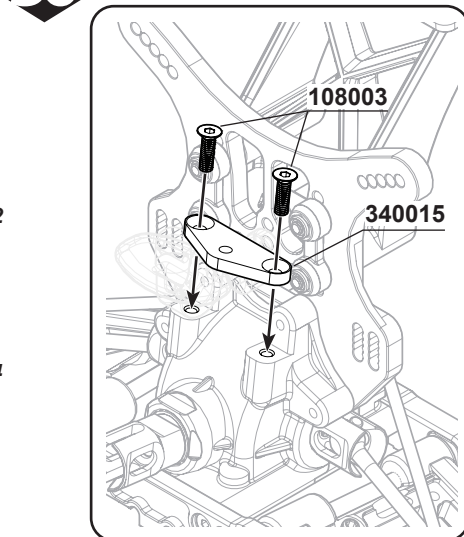
- 228003S(#3) S35 Series Integrated Wing Mount Spacer (0 Degree)
- 228003S(#4) S35 Series Integrated Wing Mount Spacer (1 Degree)
- 228003S(#5) S35 Series Integrated Wing Mount Spacer (2 Degree)



108003
M3x10mm FH/ST HEX Screw x2



108012
M4x16mm FH/ST HEX Screw x4



106002
M3x10mm Hex Soket OH/TP Screw x2



106008
M3x12mm Hex Soket OH/TP Screw x2



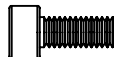
106006
M3x20mm Hex Soket OH/TP Screw x2



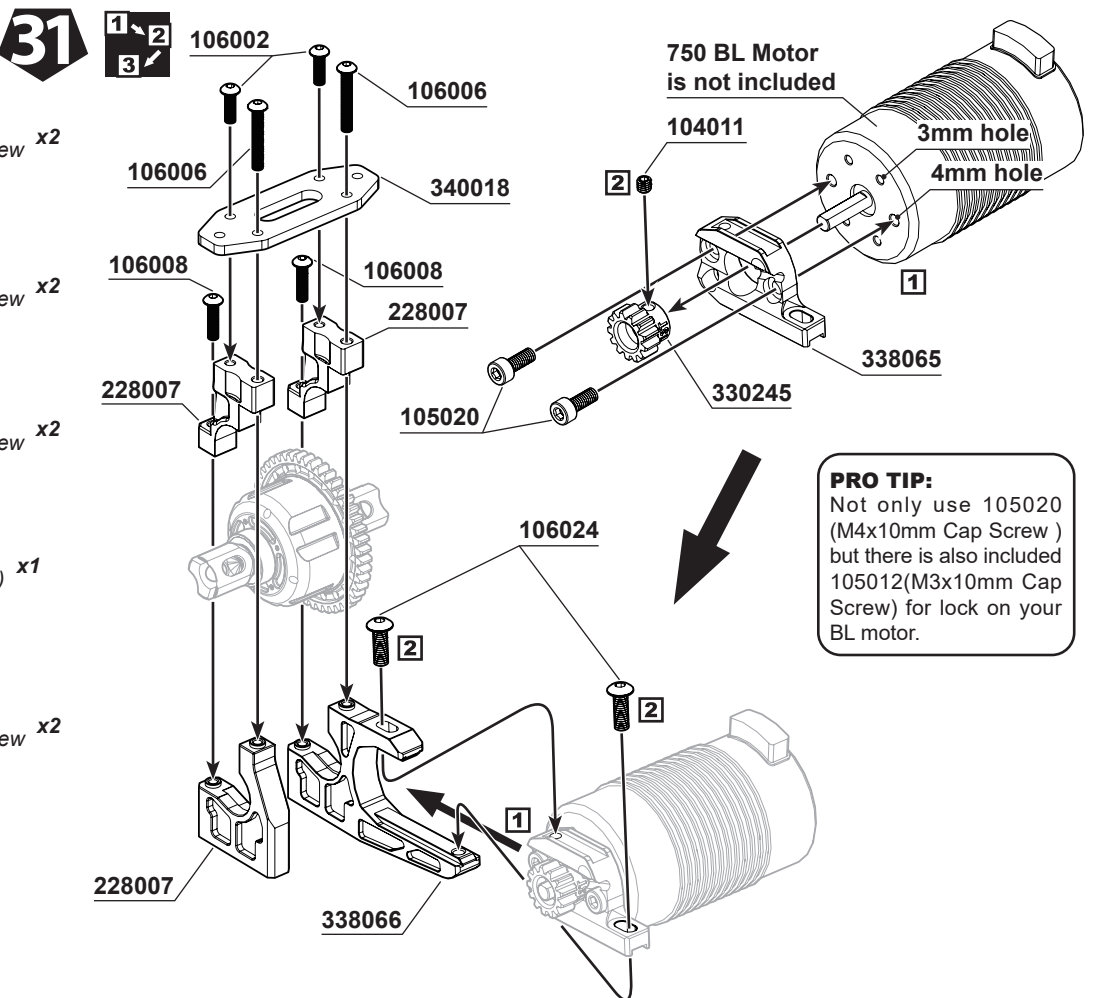
104011
M4x4mm Set Screw (Flat Bottom) x1



106024
M4x12mm Hex Soket OH/ST Screw x2



105020
M4x10mm Cap Screw x2



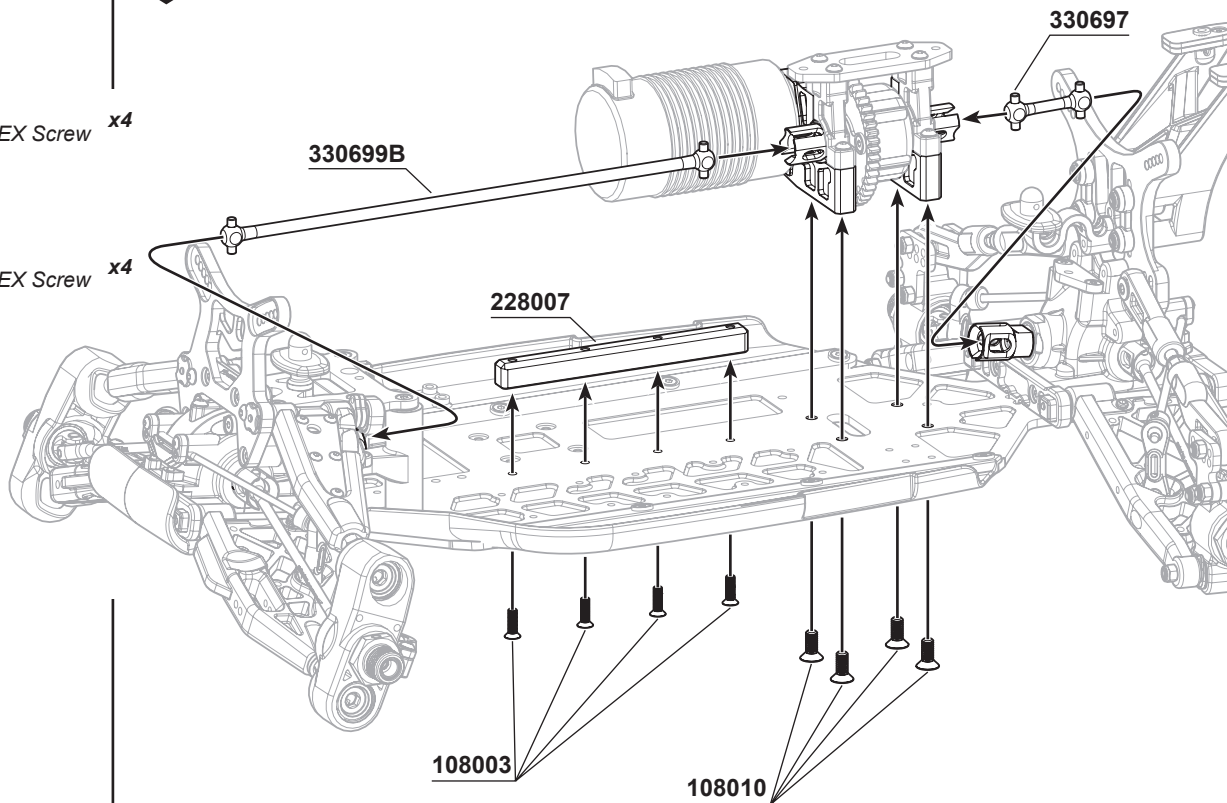
PRO TIP:
Not only use 105020 (M4x10mm Cap Screw) but there is also included 105012(M3x10mm Cap Screw) for lock on your BL motor.



108003
M3x10mm FH/ST HEX Screw x4



108010
M4x10mm FH/ST HEX Screw x4



106001
M3x10mm Hex Soket OH/TP Screw x1



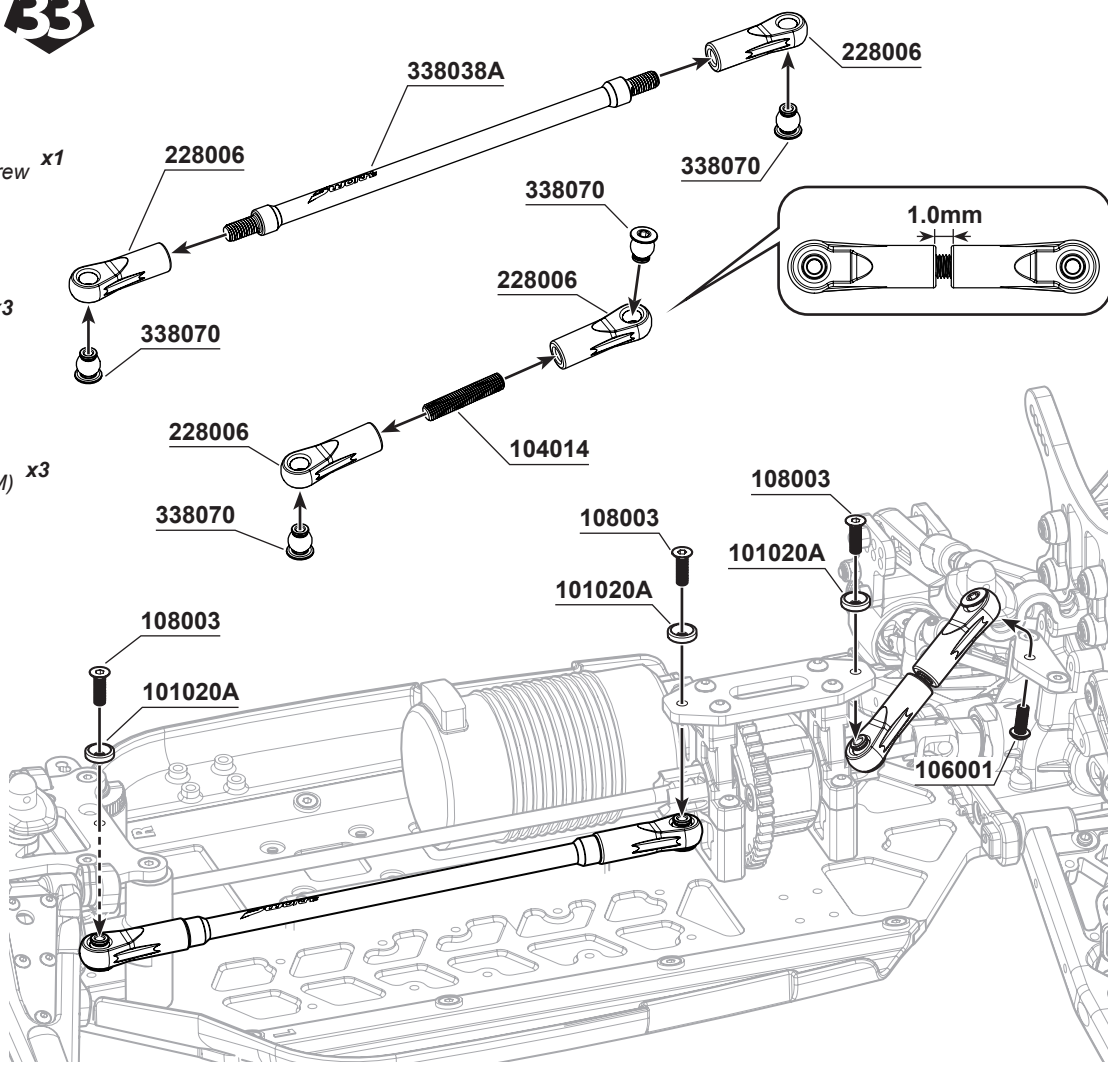
108003
M3x10mm FH/ST HEX Screw x3



101020A
3mm Countersunk Washers (GM) x3



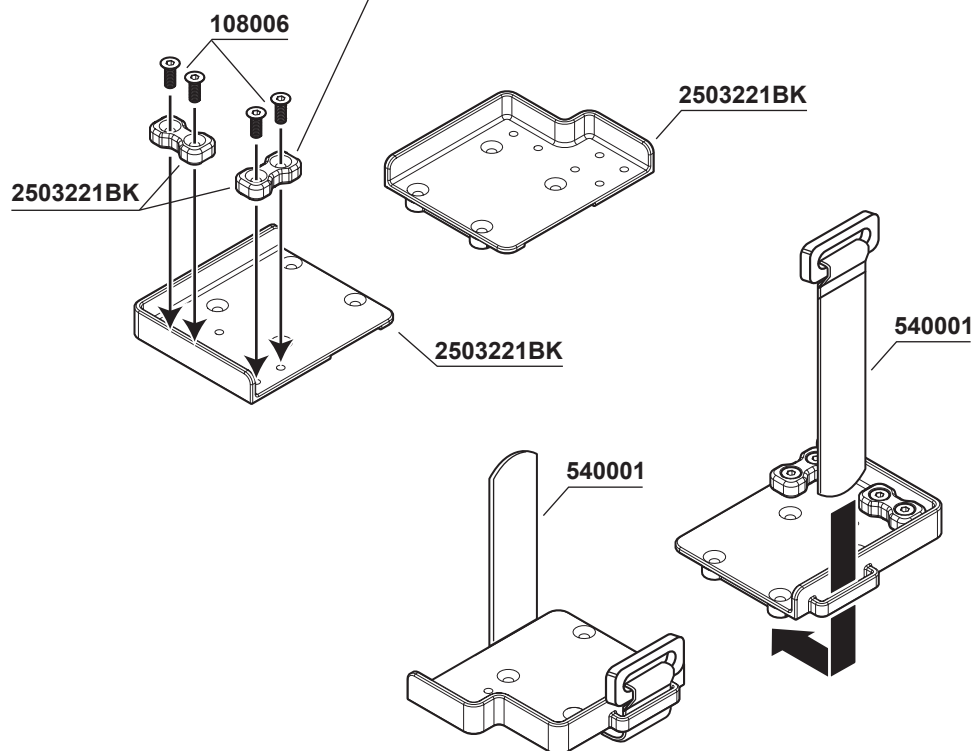
104014
M5X25mm set screw x1



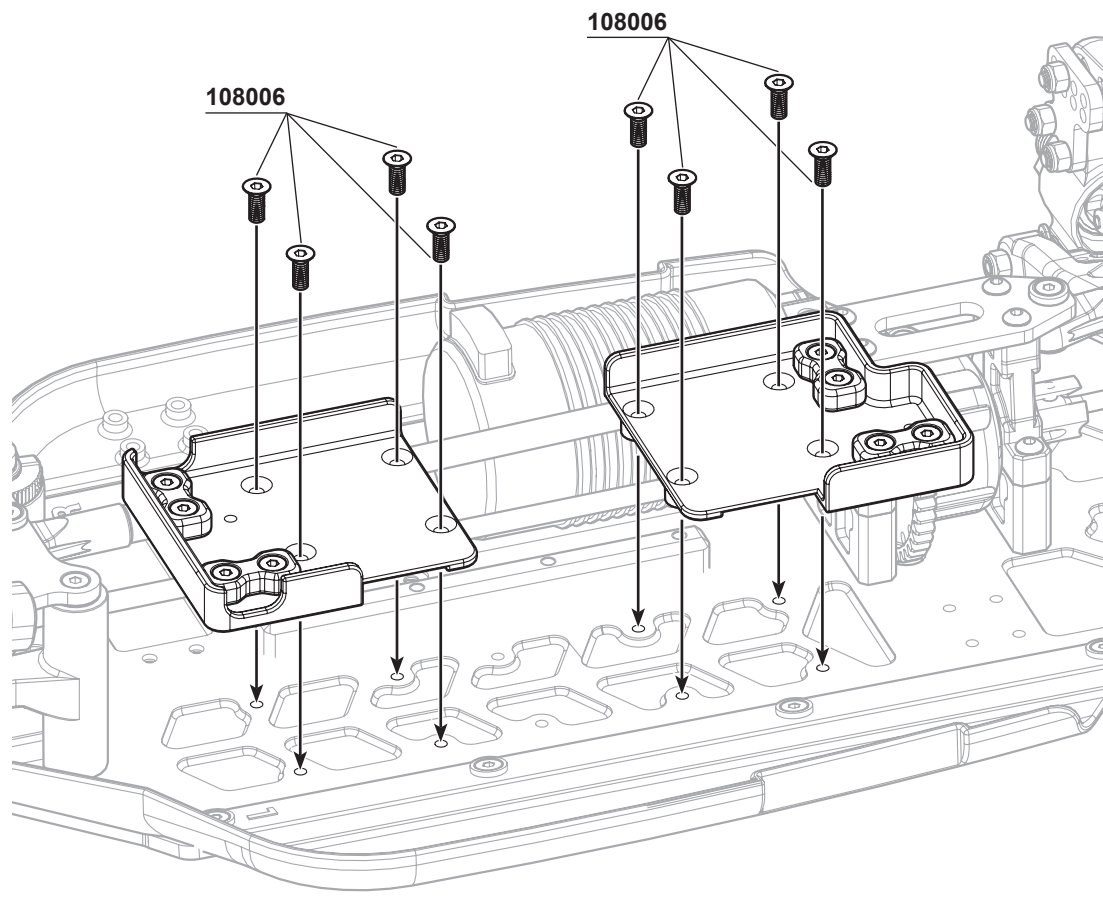


108006
M3x8mm FH/ST HEX Screw x8

The 2503221BK Battery Stoper must be suit for different Lipo Battery style.



108006
M3x8mm FH/ST HEX Screw x8



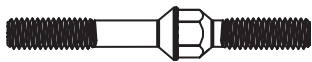
BAG

F

36

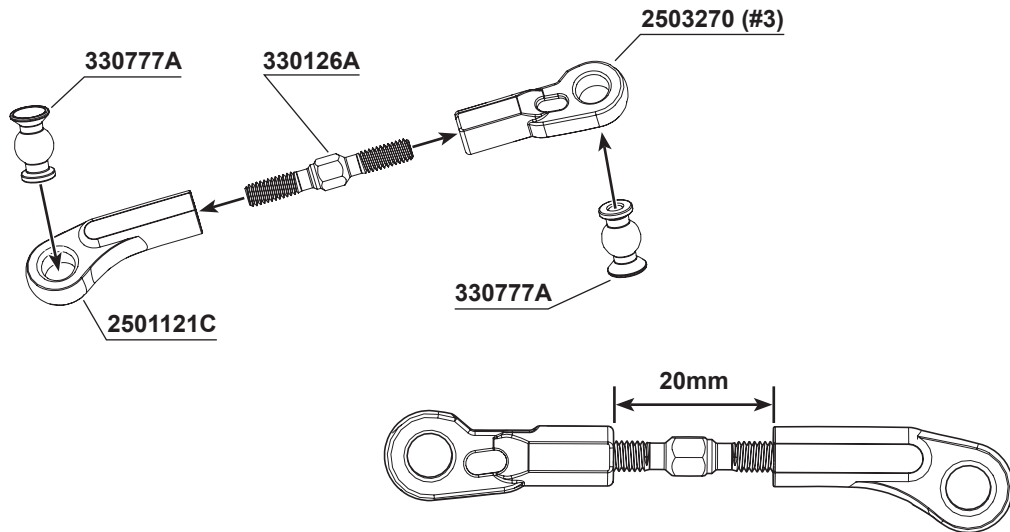
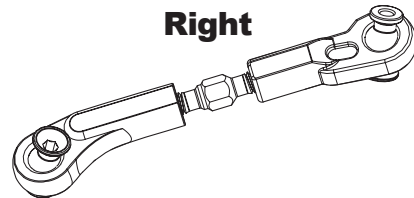


x2



330126A
Steering Turnbuckle **x2**

Right



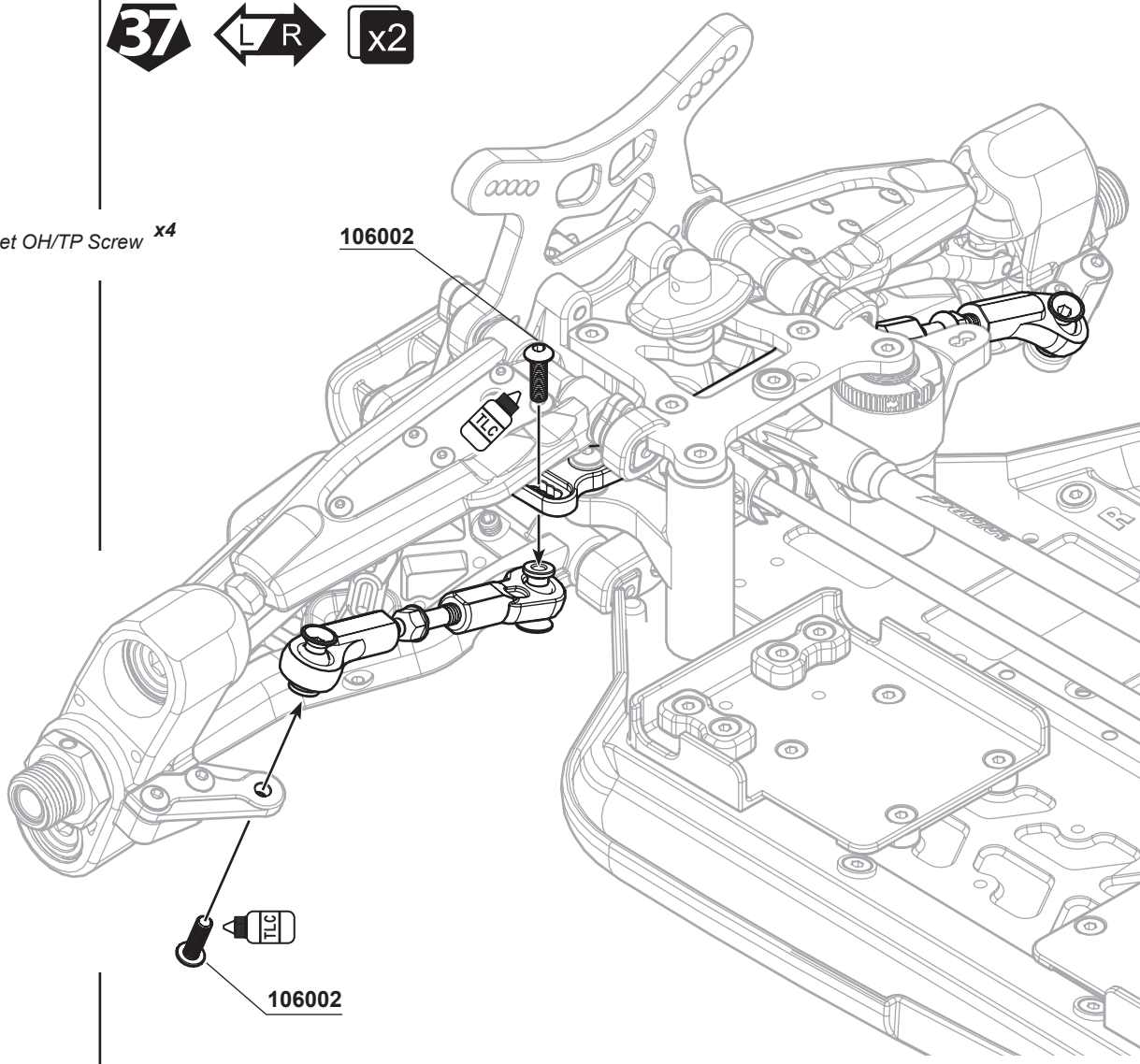
37



x2



106002
M3x10mm Hex Socket OH/TP Screw **x4**





104009
M3x16mm Set Screw x1



106008
M3x12mm Hex Soket OH/TP Screw x4



108006
M3x8mm FH/ST HEX Screw x1

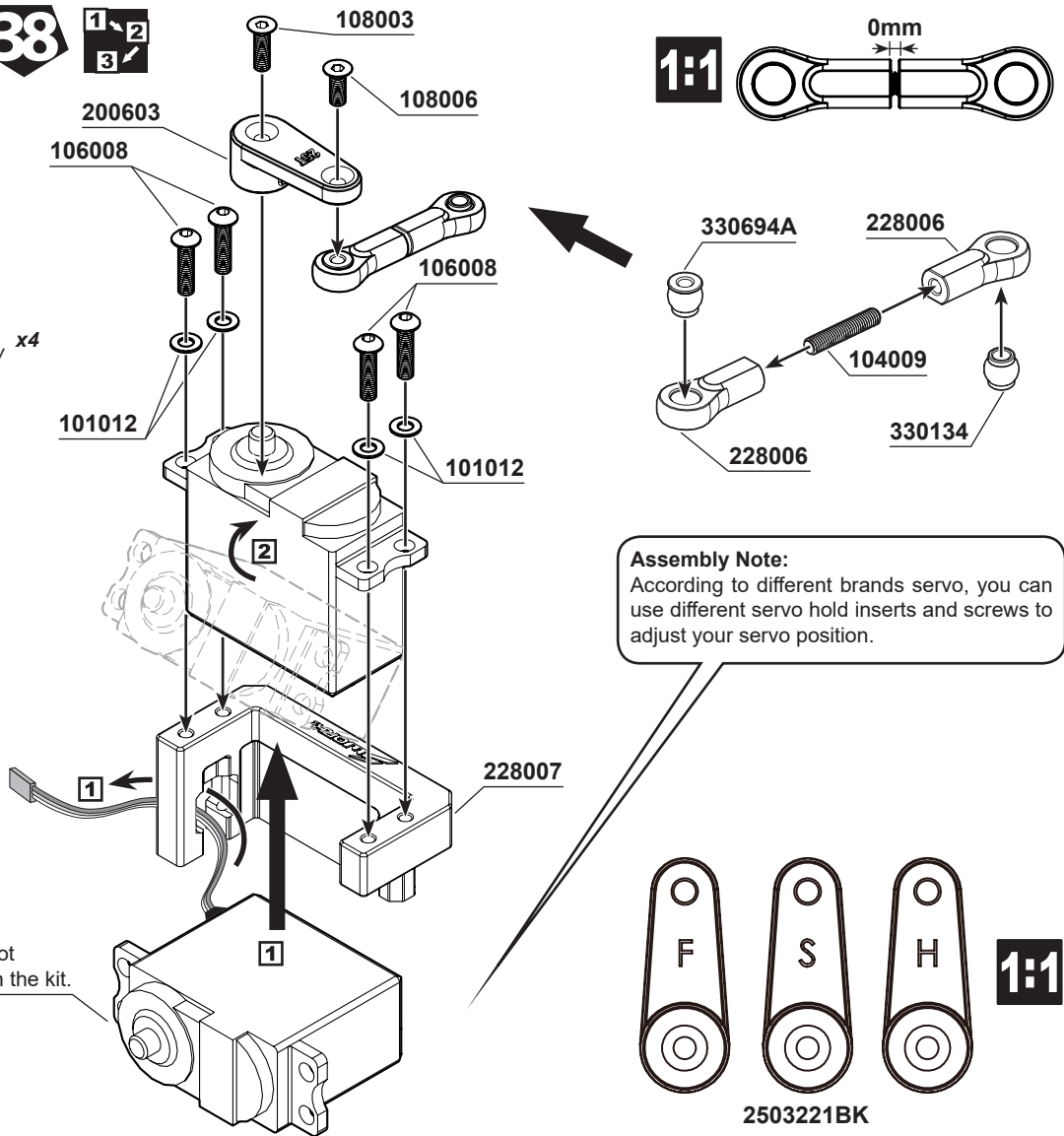


108003
M3x10mm FH/ST x1



101012
M3x6xT0.6mm x4

Servo is not included in the kit.



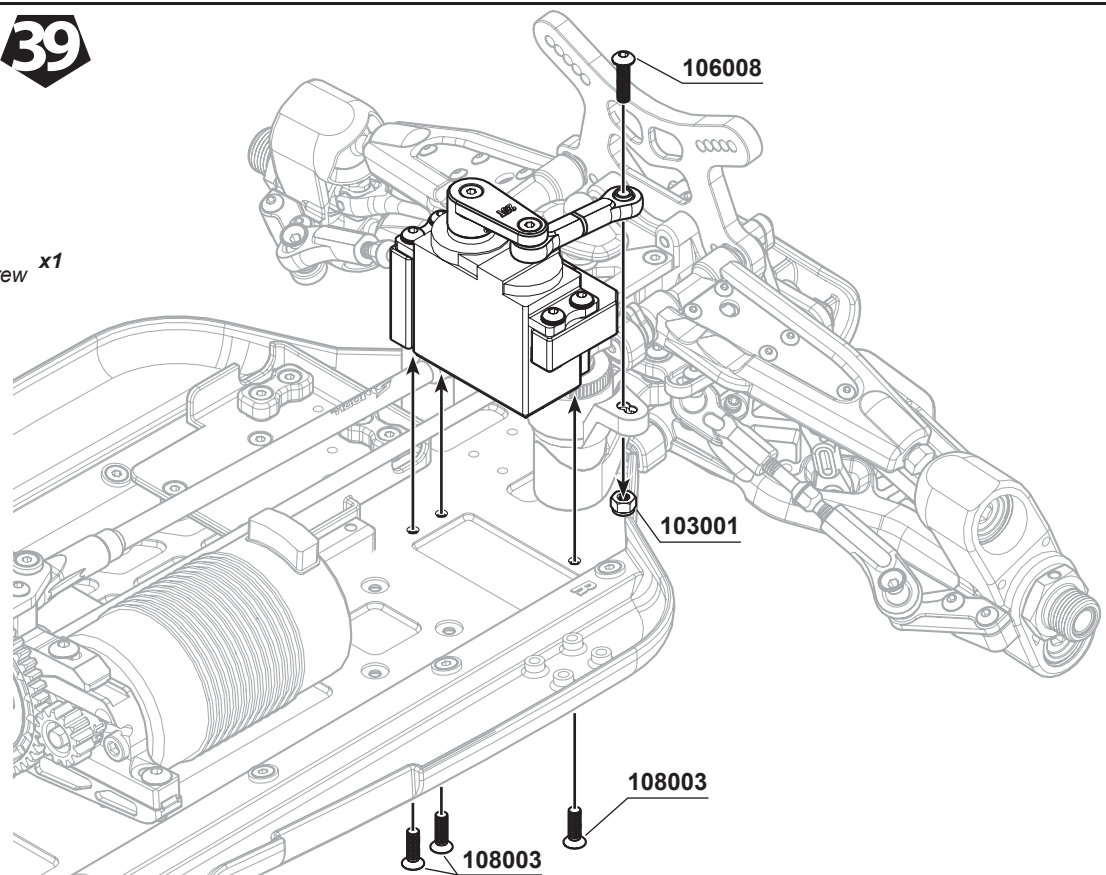
108003
M3x10mm FH/ST x3



106008
M3x12mm Hex Soket OH/TP Screw x1



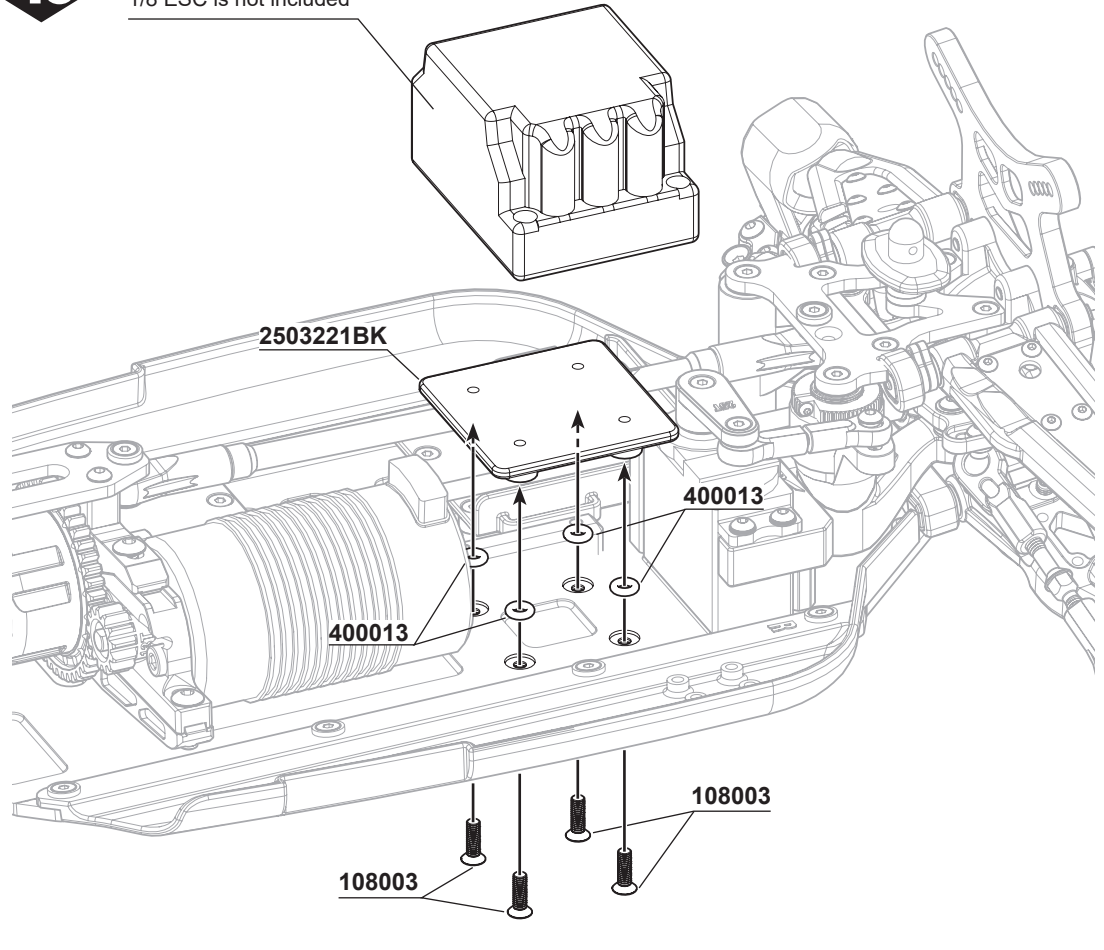
103001
M3xNut Lock x1



1/8 ESC is not included



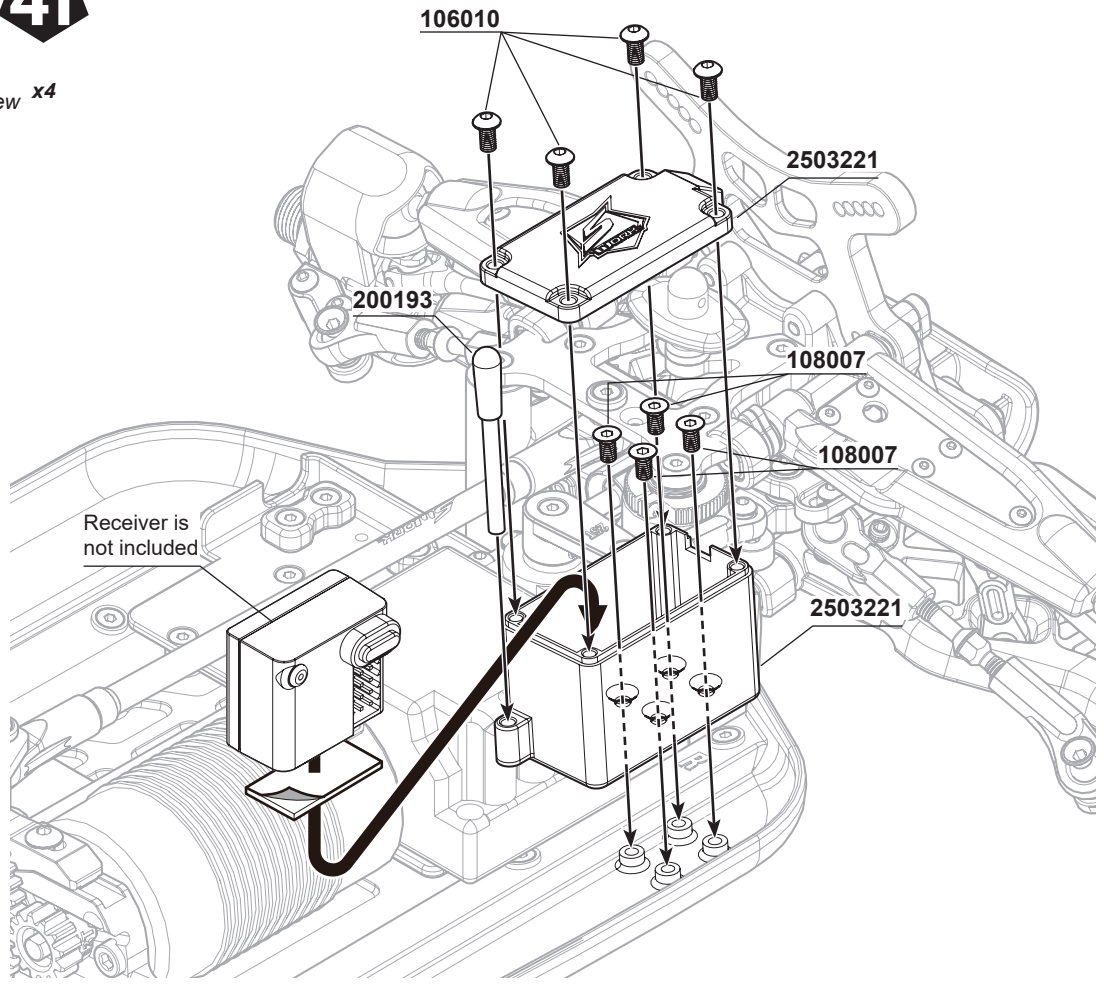
108003
M3x10mm FH/ST x4

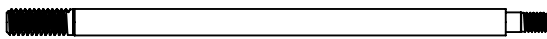


106010
M3x6mm Hex Socket OH/TP Screw x4

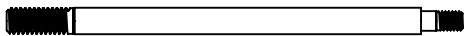


108007
M3x6mm FH/ST HEX Screw x4





338062
S35-4 Series BBS System Tefron Coated Shock Shaft (L) x2



338063
S35-4 Series BBS System Tefron Coated Shock Shaft (S) x2



103004
M2.5mm Nut Lock x4



210058
Shock Seal Washer 3.5X7X1.0mm x4



210058
Shock Seal Washer 3.6X7X2.5mm x8



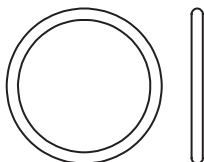
101011
M2.6x6xT0.6mm x4



210058
Shock Seal O-Ring x8



400020
Shock Seal O-Ring x4



400019
Shock Spring Adjust Nut O-Ring x4



108029
M2.0x4.6mm FH/ST HEX Screw (1.5mm HexHead) x4

Front 338061(S)
Rear 338060(L)

400020

Front 338063(S)
Rear 338062(L)

103004

330562(F)
330563(R)

101011

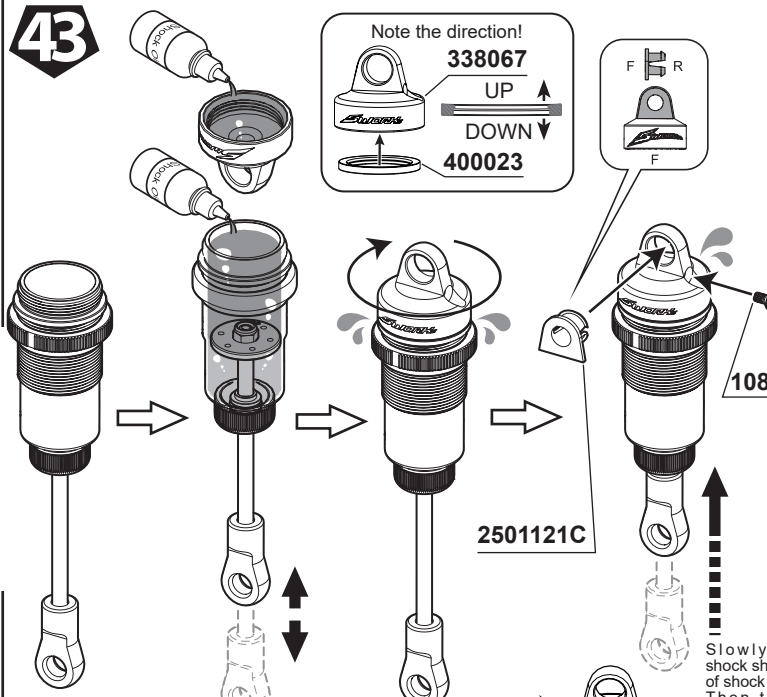
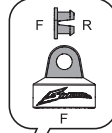
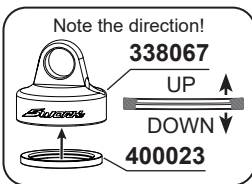
210058

330557

228006

Front 400010(S)
Rear 400009(L)

43



Slowly push the shock shaft to the end of shock cap. Then tight screw M2x4mm

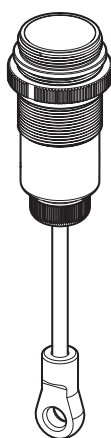
1:1

Emulsion shock cap system assembly note ↑

Standard bladder shock cap assembly note ↓

108029

108029



2501121C

Slowly push the shock shaft to the end of shock cap. Then tight screw M2x4mm

44

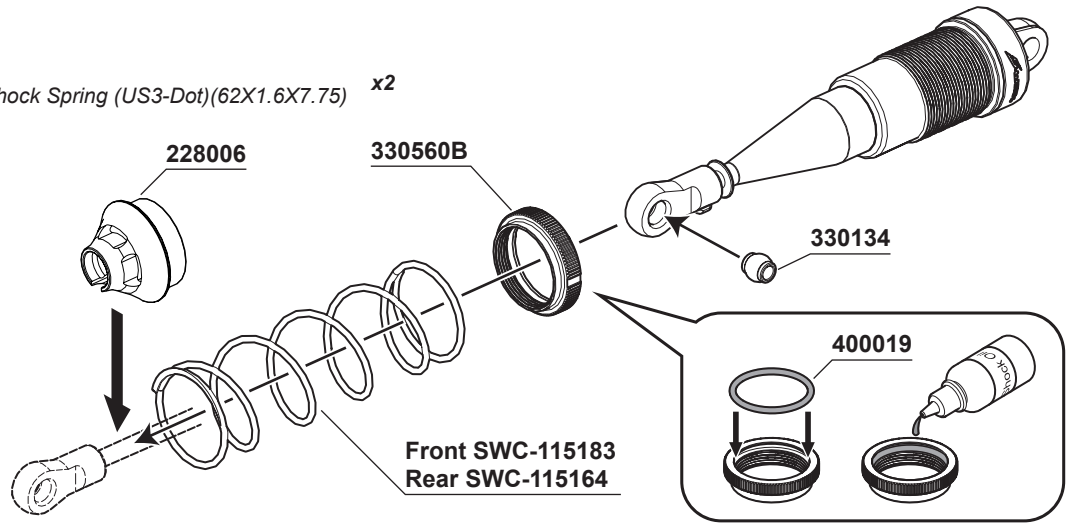
F R

x2 For Front

x2 For Rear



115183
S35-4 Black Competition Front Shock Spring (US3-Dot)(62X1.6X7.75) x2



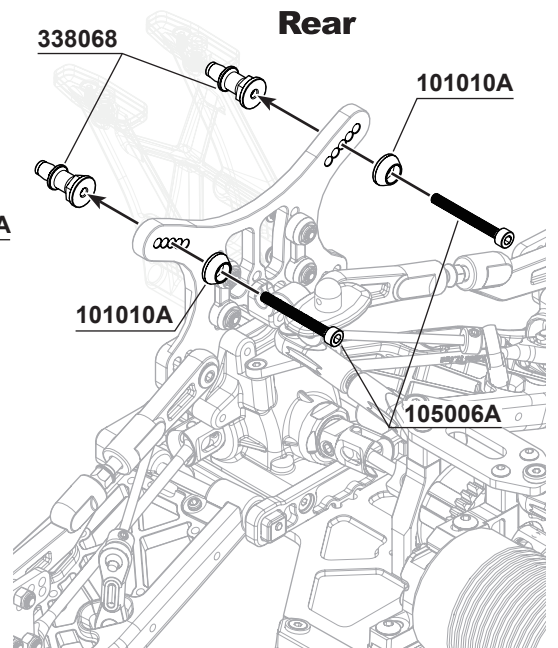
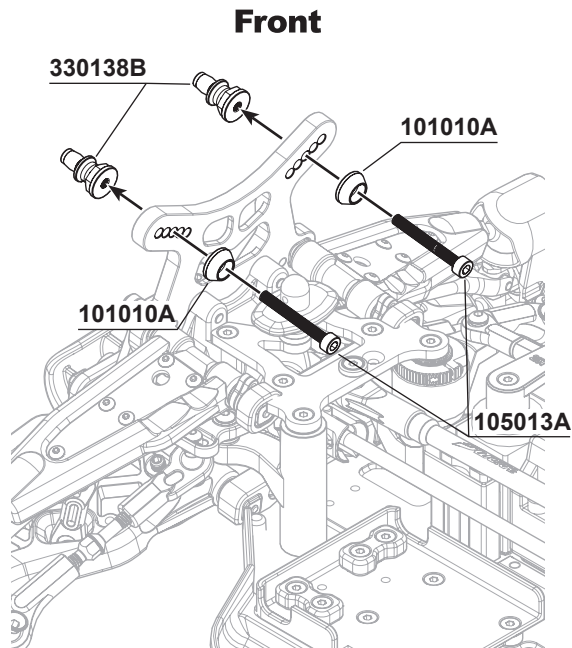
115164
S35 Series Black Competition Front Shock Spring (M3-Dot)(75X1.6X9.0) x2

BAG J

45

105006A
M3x28mm Cap Screw x2

105013A
M3x25mm Cap Screw x2

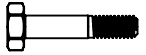




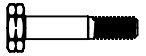
103003A
Flange M3 Nut Lock x1



106003
M3x16mm Hex Socket OH/TP Screw x4



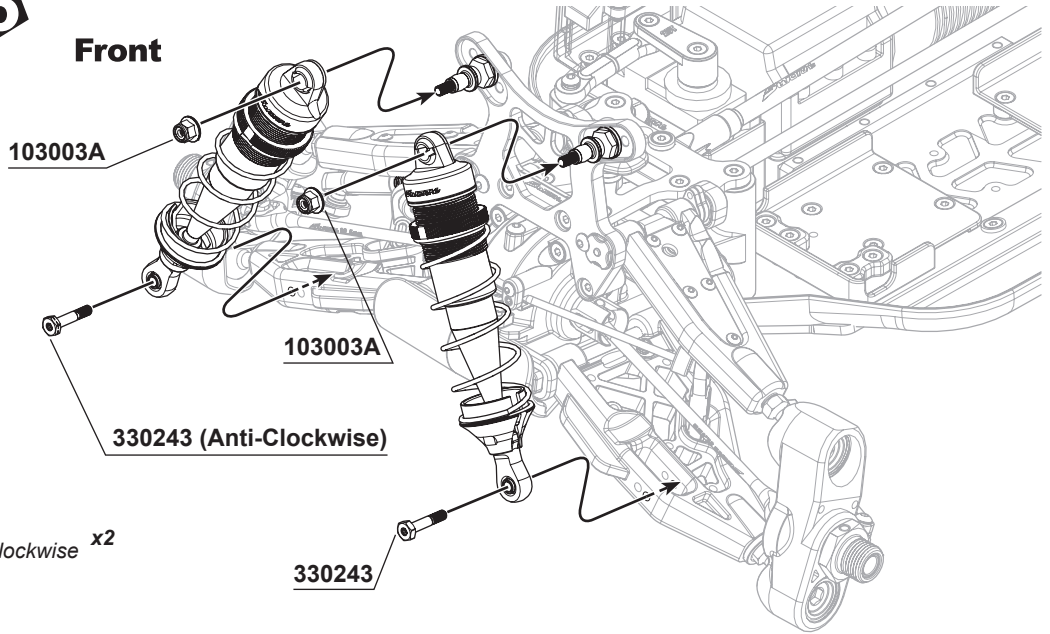
330243
SWORKz 3x16mm Shock Hex Screw Clockwise x2



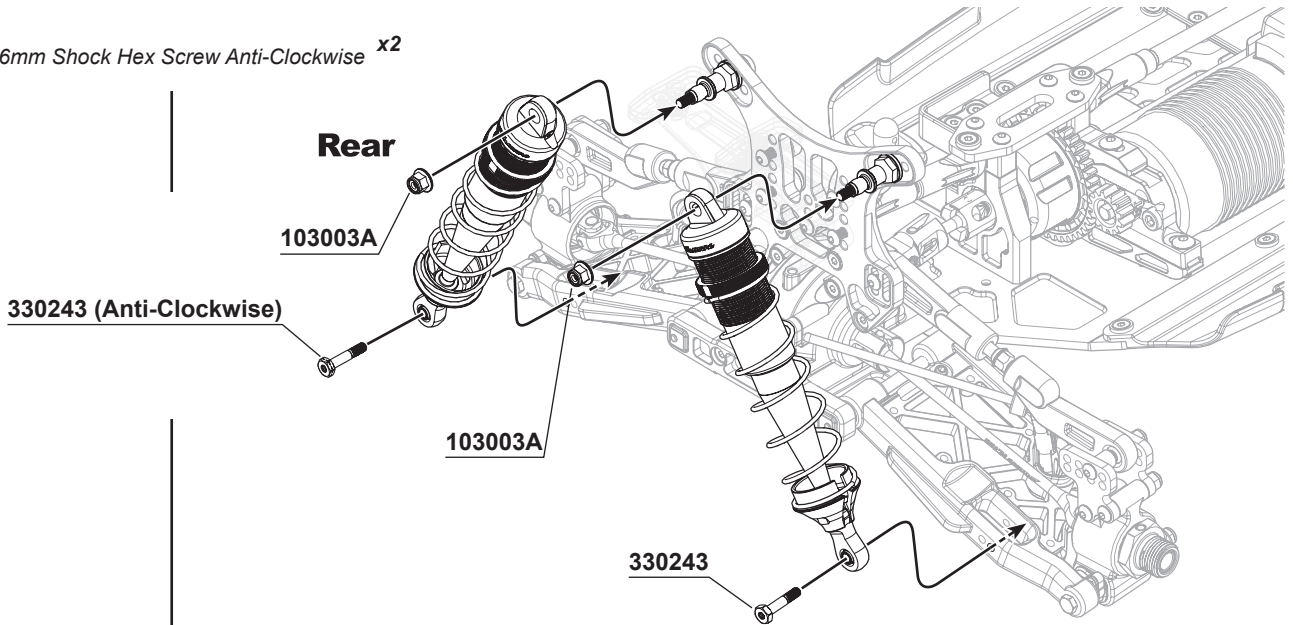
330243
SWORKz 3x16mm Shock Hex Screw Anti-Clockwise x2

46

Front



Rear



BAG E

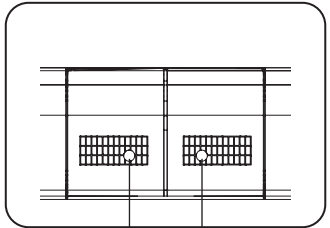
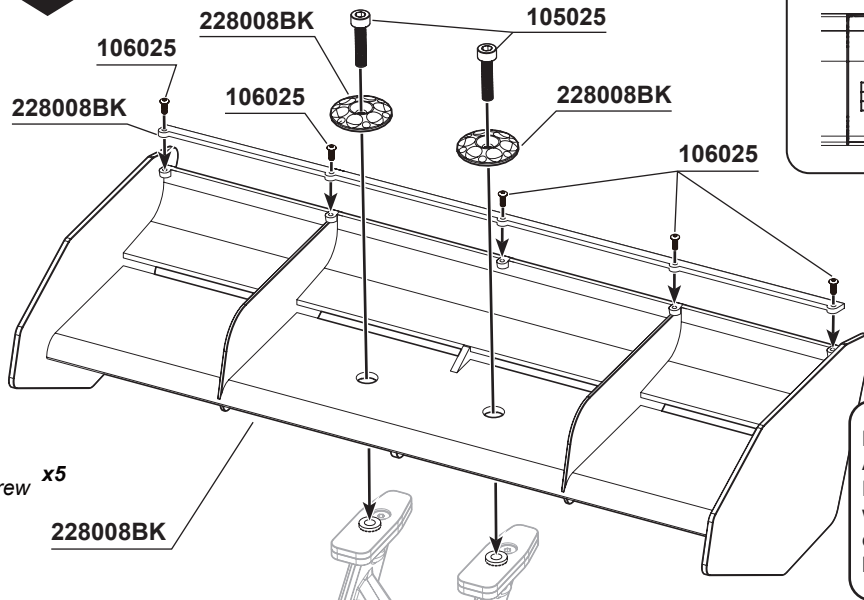
47



105005
M3x12mm Cap Screw x2

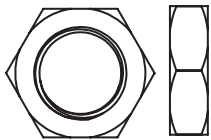


106025
M2.5x8mm Hex Socket OH/TP Screw x5



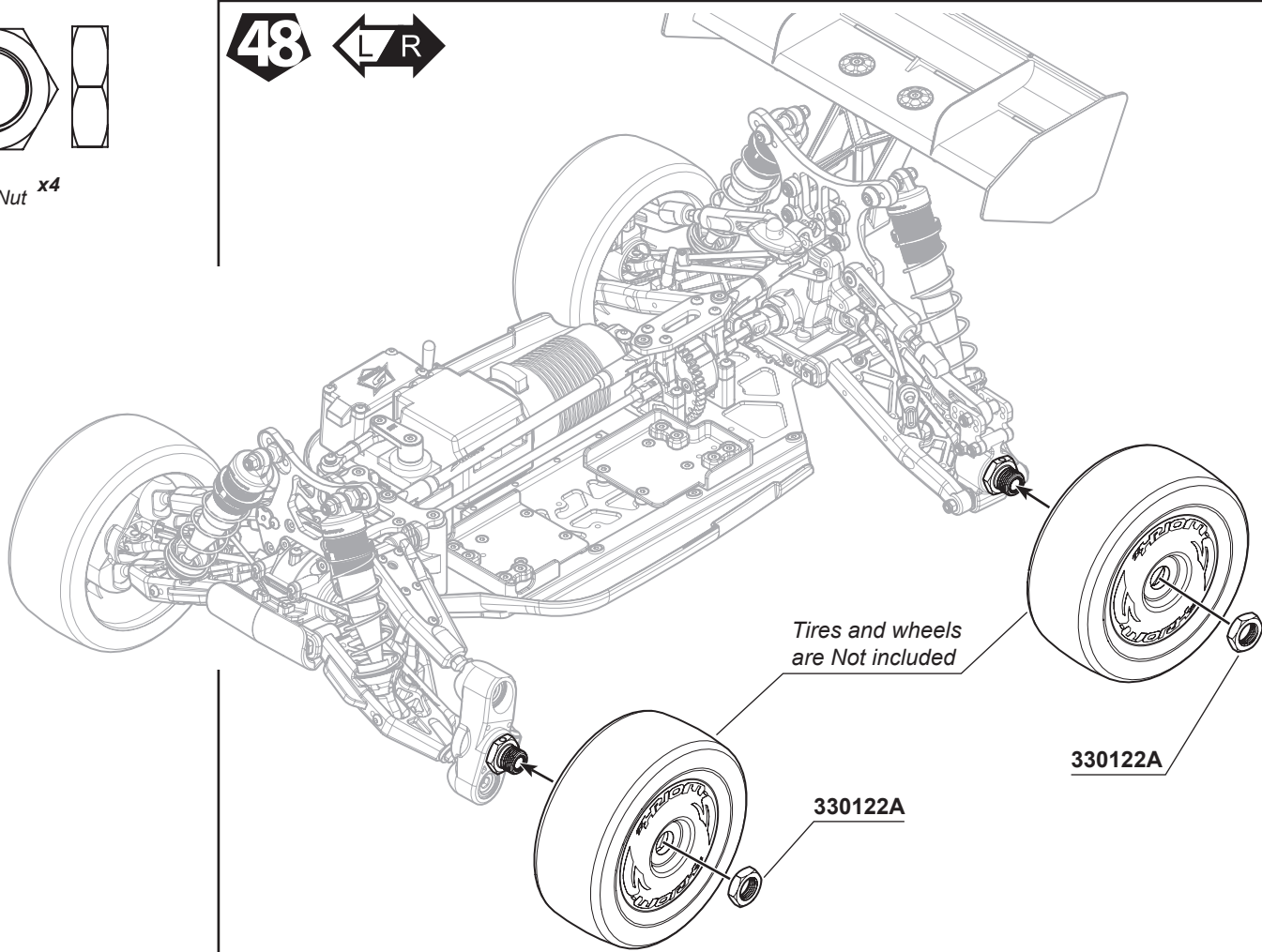
39mm

PRO TIP:
Attention!
Please do not follow the wing hole markings to drill. Please drill both holes 0.5mm inwards.



330122A
Wheel Nut x4

48 ← R →



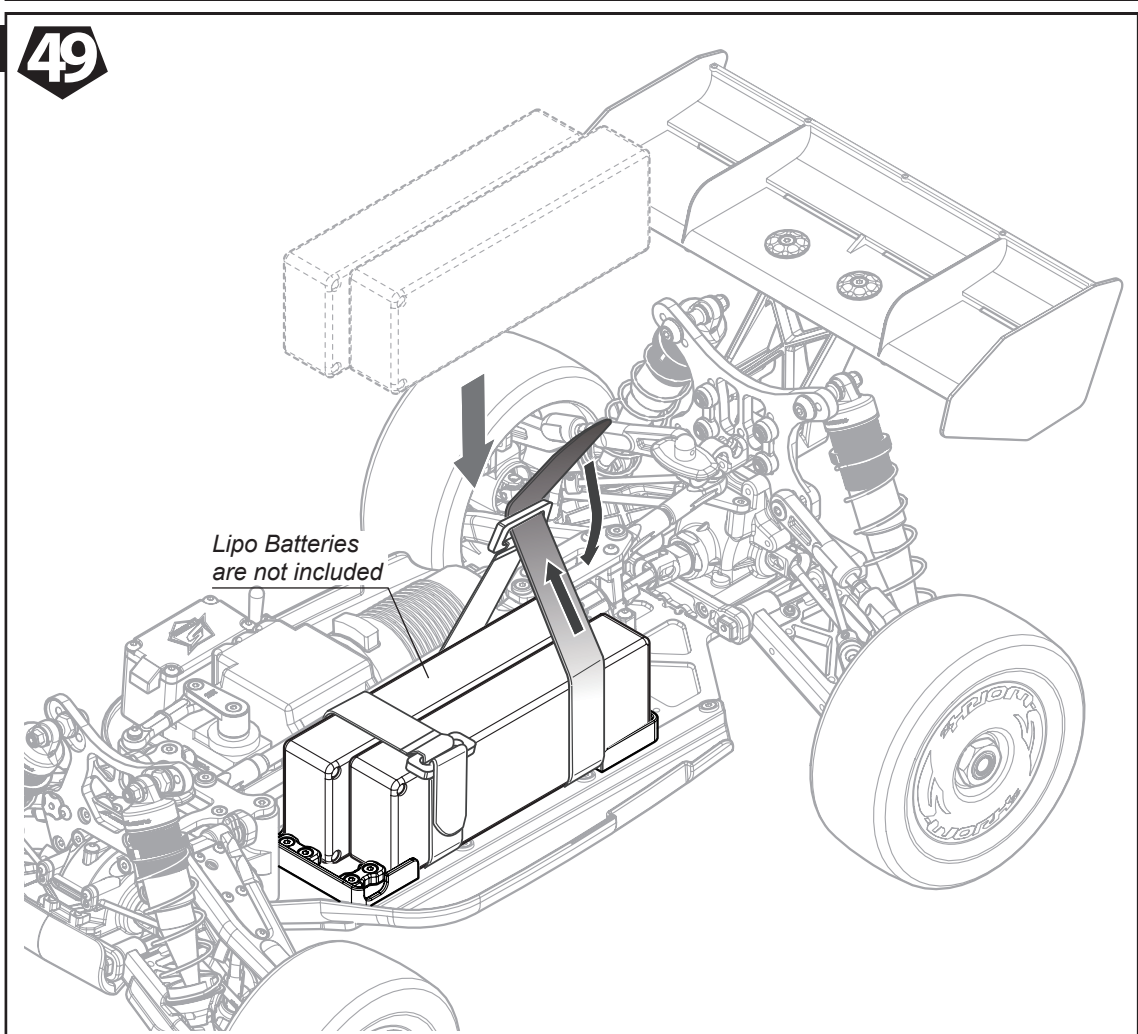
Tires and wheels
are Not included

330122A

330122A

BAG N

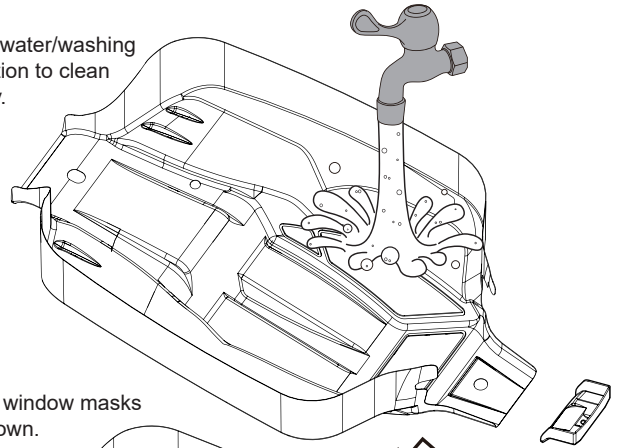
49



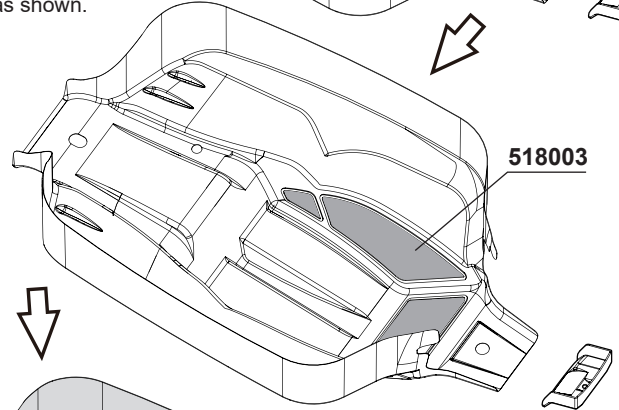
Lipo Batteries
are not included

50

Use water/washing solution to clean body.

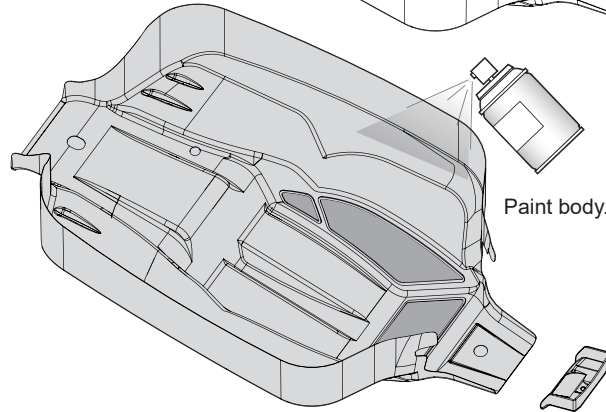


Apply window masks as shown.

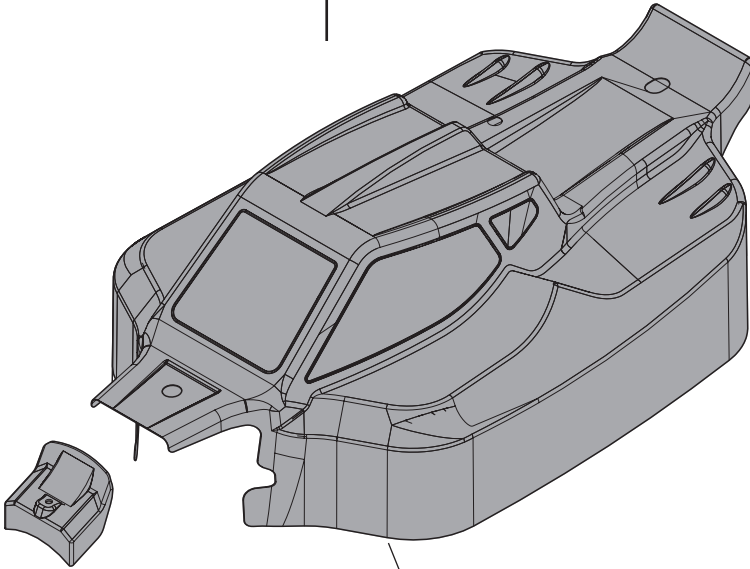


518003

Paint body.



258001C-E



51

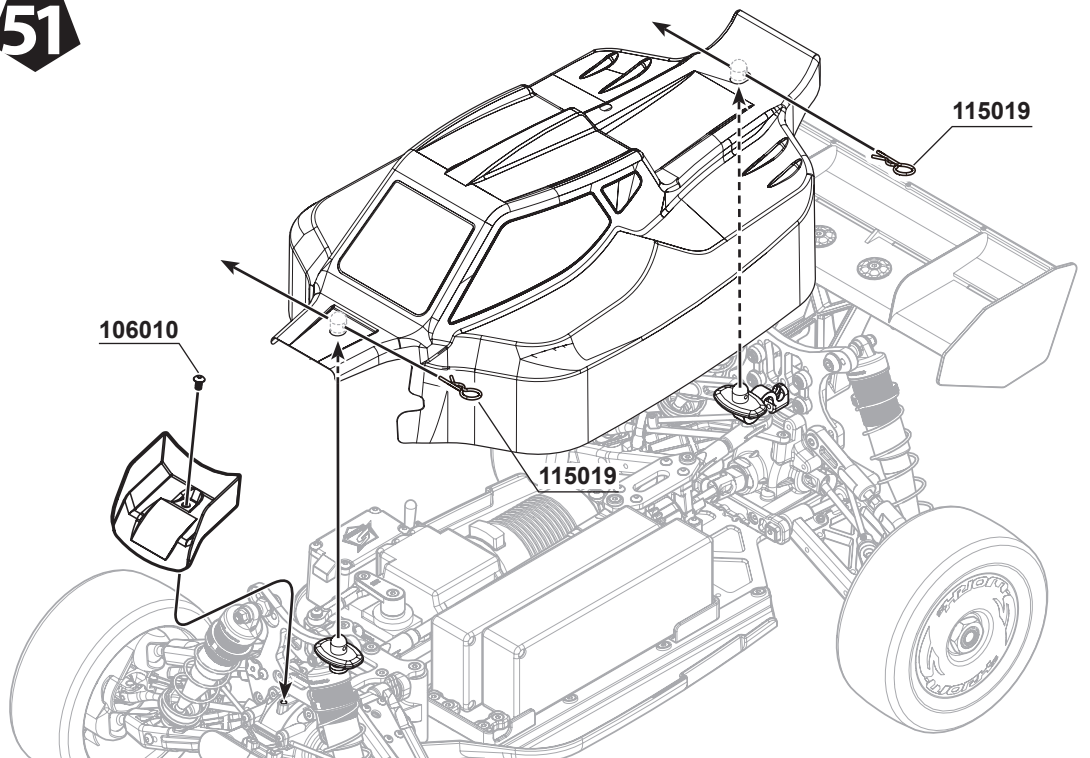


106010
Button Head Screw M3x6mm x1

115019

106010

115019



Name: _____
Date: _____
Track: _____

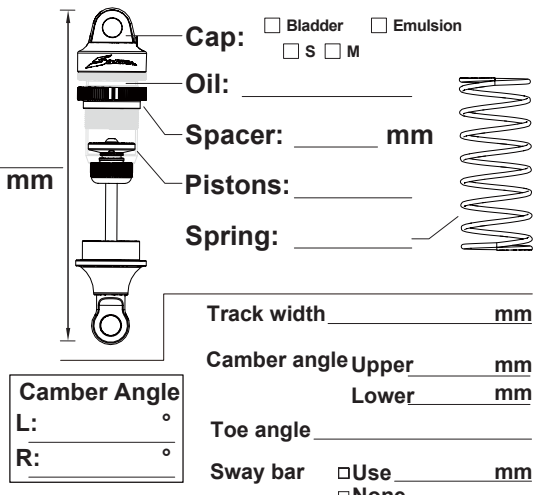
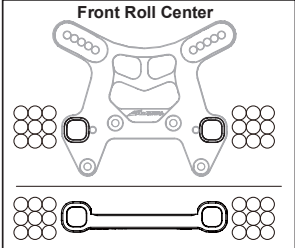
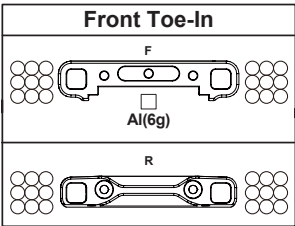
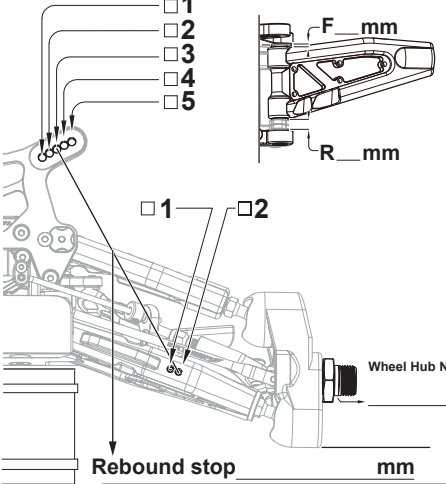
Diff. Oil
Front: _____
Center: _____
Rear: _____

Track Conditions
Size: Open Med. Tight
Traction: High Med. Low
Surface: Smooth Med. Bumpy

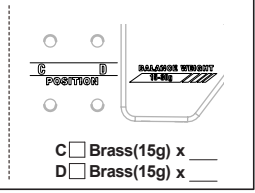
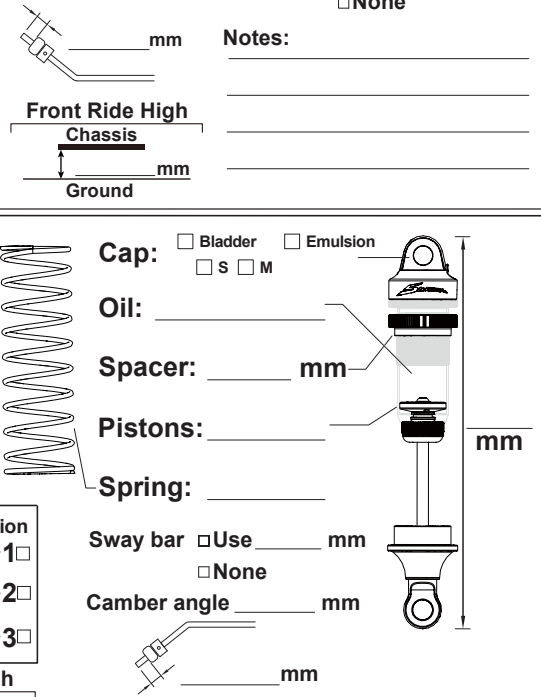
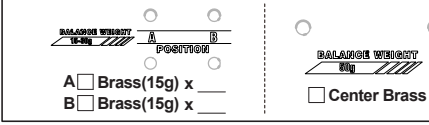
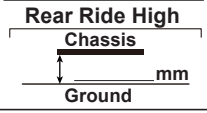
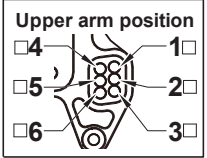
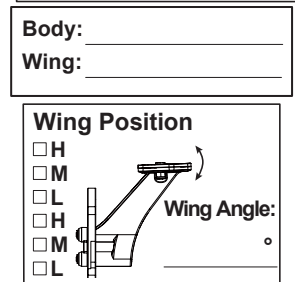
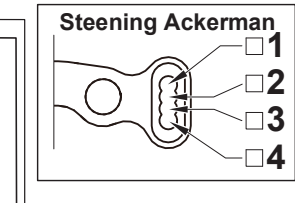
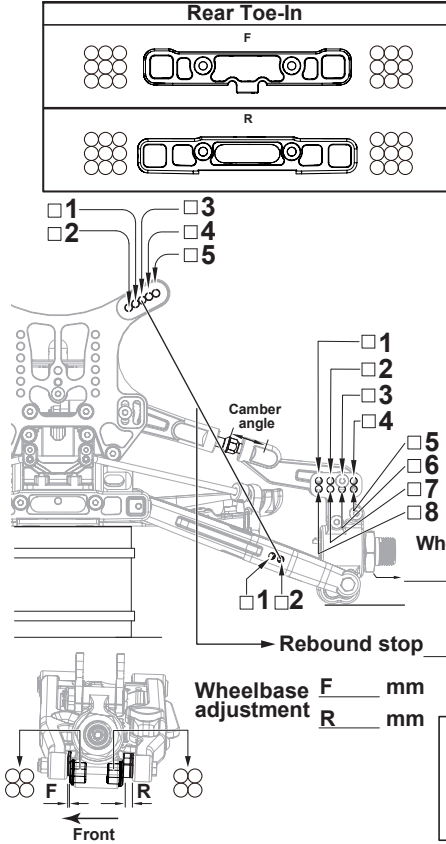
Tire
Front Type: _____
Front Foam: _____
Rear Type: _____
Rear Foam: _____

Electric System
ESC Type: _____
Motor Type: _____
Motor Gear/Spur Gear: _____
Battery Type: A: Standard Pack _____
B: Shorty Pack _____

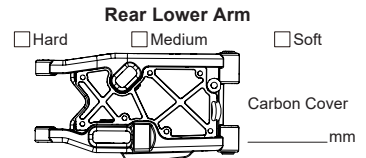
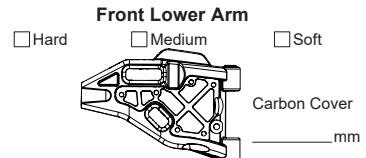
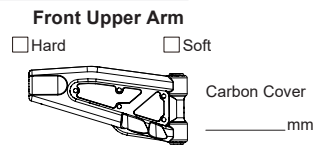
Front Suspension



Rear Suspension



Option Parts List



Name: _____
Date: _____
Track: _____

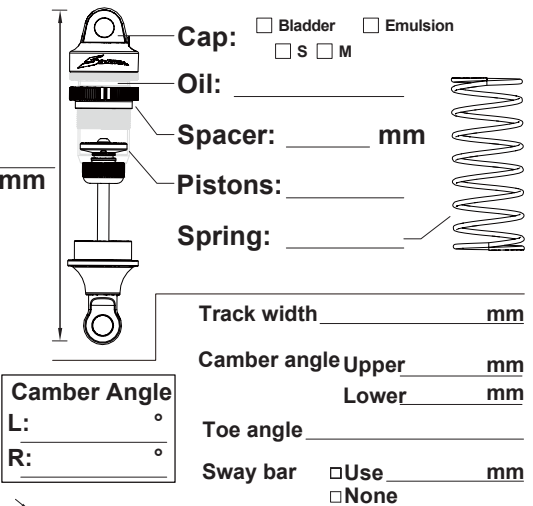
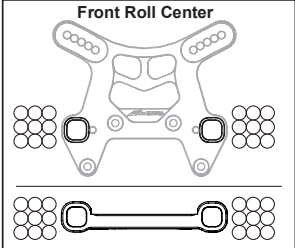
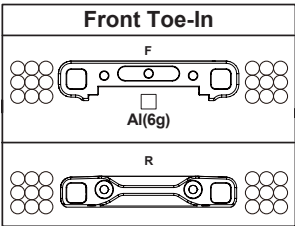
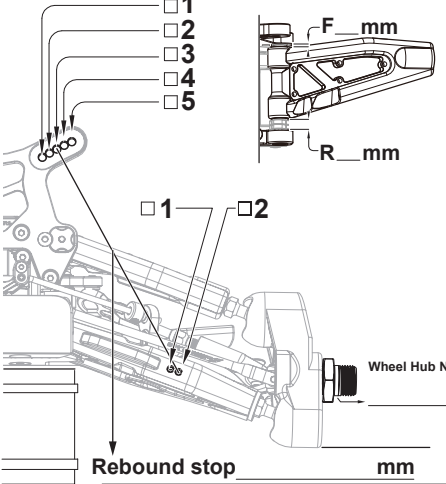
Diff. Oil
Front: _____
Center: _____
Rear: _____

Track Conditions
Size: Open Med. Tight
Traction: High Med. Low
Surface: Smooth Med. Bumpy

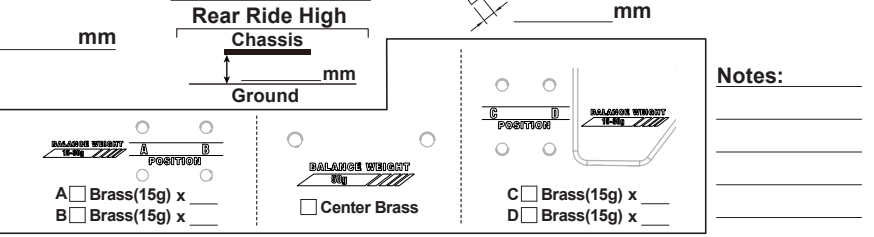
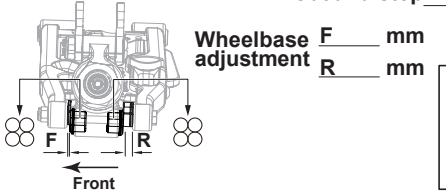
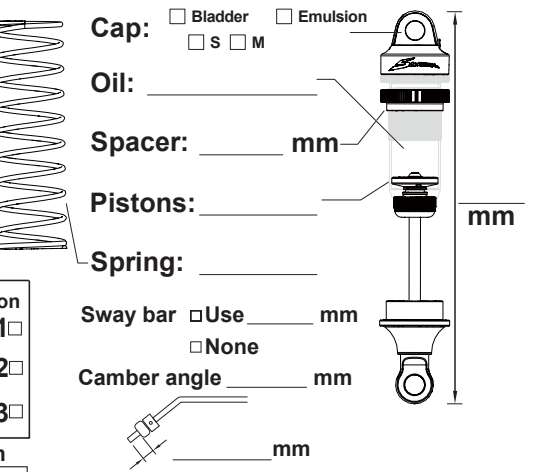
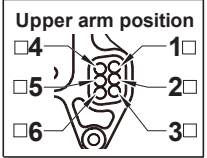
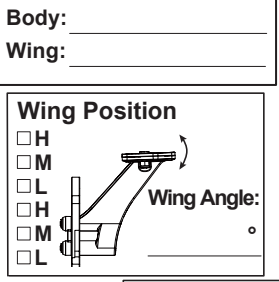
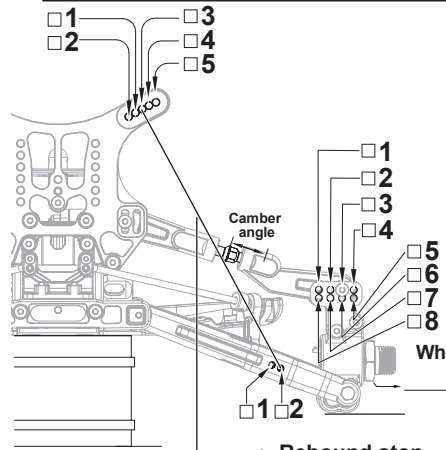
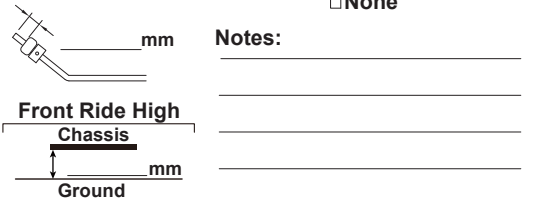
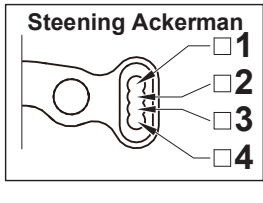
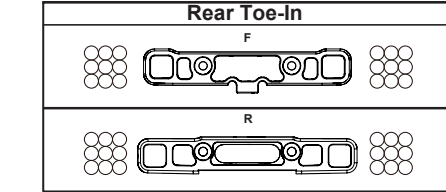
Tire
Front Type: _____
Front Foam: _____
Rear Type: _____
Rear Foam: _____

Electric System
ESC Type: _____
Motor Type: _____
Motor Gear/Spur Gear: _____
Battery Type A: Standard Pack _____
Battery Type B: Shorty Pack _____

Front Suspension



Rear Suspension



Option Parts List

<p>Front Upper Arm</p> <p><input type="checkbox"/> Hard <input type="checkbox"/> Soft</p> <p>Carbon Cover _____ mm</p>	<p>Front Lower Arm</p> <p><input type="checkbox"/> Hard <input type="checkbox"/> Medium <input type="checkbox"/> Soft</p> <p>Carbon Cover _____ mm</p>	<p>Rear Lower Arm</p> <p><input type="checkbox"/> Hard <input type="checkbox"/> Medium <input type="checkbox"/> Soft</p> <p>Carbon Cover _____ mm</p>
---	---	--

Race time / Lap: _____

Best lap: _____

Name: _____
 Date: _____
 Track: _____

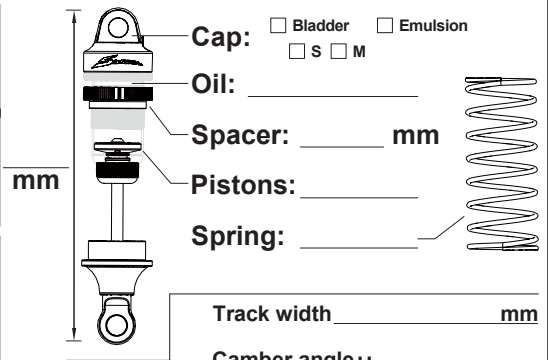
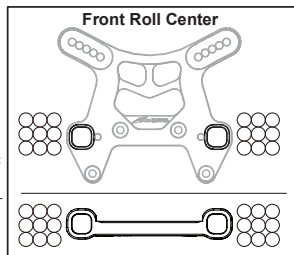
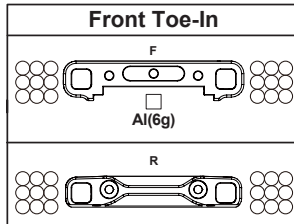
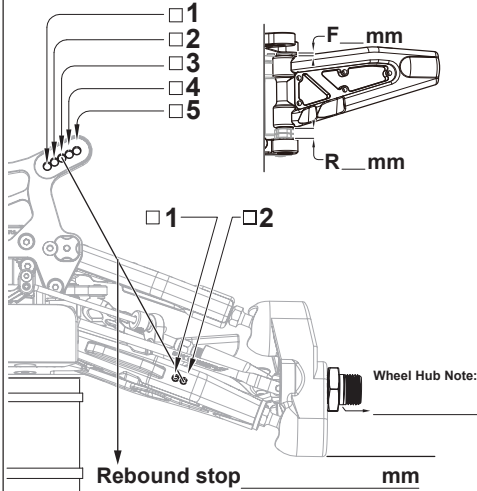
Diff. Oil
 Front: _____
 Center: _____
 Rear: _____

Track Conditions
 Size: Open Med. Tight
 Traction: High Med. Low
 Surface: Smooth Med. Bumpy

Tire
 Front Type: _____
 Front Foam: _____
 Rear Type: _____
 Rear Foam: _____

Electric System
 ESC Type: _____
 Motor Type: _____
 Motor Gear/Spur Gear: _____
 Battery Type: _____
 A: Standard Pack _____
 B: Shorty Pack _____

Front Suspension



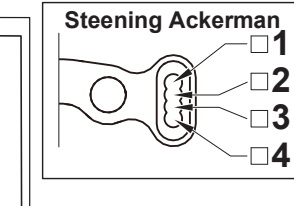
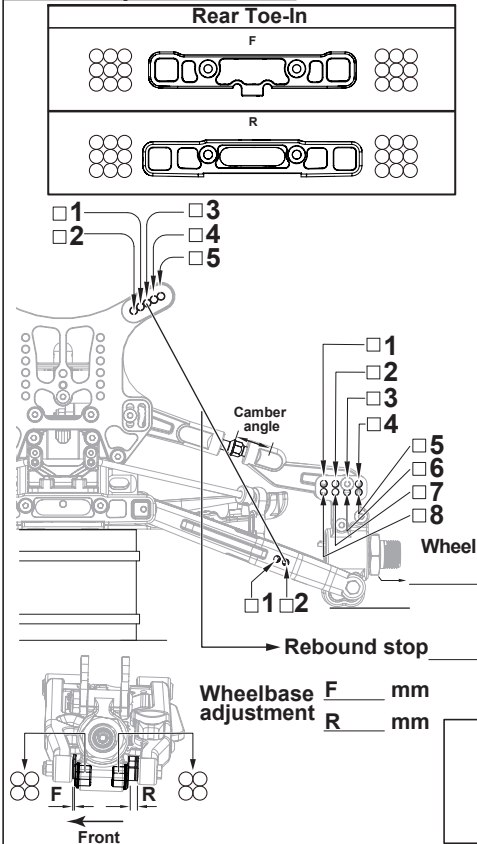
Camber Angle
 L: _____ °
 R: _____ °

Camber angle Upper _____ mm
 Lower _____ mm

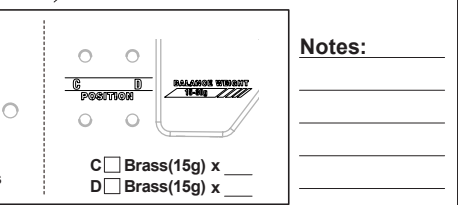
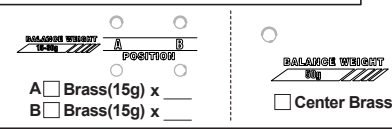
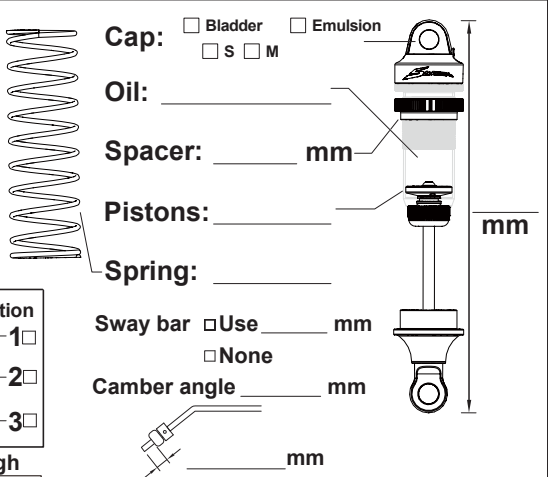
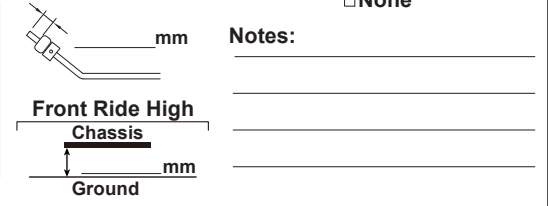
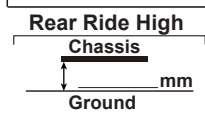
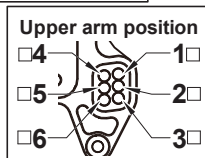
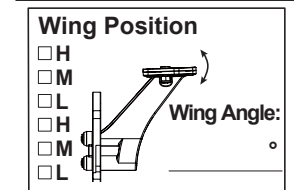
Toe angle _____

Sway bar Use _____ mm
 None

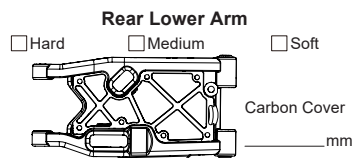
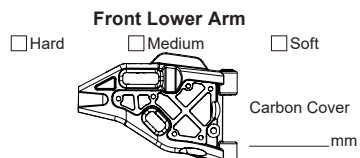
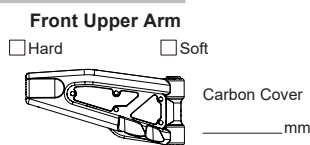
Rear Suspension



Body: _____
 Wing: _____



Option Parts List



Parts No. List

Part No.	Part Name	Q'ty in Use	Item No.	Part No.	Part Name	Q'ty in Use	Item No.
210091	S35-3W Plastic Front/Rear Big Bore Diff Case	2	SW-210091	338056	S35-4 Series Lower Arm Hinge Pin (68.5mm)	4	SW-338056
210079A	S35-4 Plastic Center Big Bore HET Diff Case	1	SW-210079A	338057	S35-4 Series T7 Aluminum Front Upper Arm Holder	1	SW-338057
2501097B	S35 Series Front Bumper	1	SW-2501097B	338058	S35-4 Series T7 Aluminum Front Lower Arm Plate (FF)	1	SW-338058
2501121C	S35/S350 Series Ball End Set with Shock Plastic Parts	2	SW-2501121C	338059	S35-4 Series T7 Aluminum Front Lower Arm Holder (FR)	1	SW-338059
2501122B	S35/S350 Series Setting Bellcrank Set 2.0 Set (with Servo Horn)	1	SW-2501122B	338060	S35-4 Series BBS System Shock Body (L)	2	SW-338060
2503221BK	S35-2E/3E Series Black Plastic Radio Box/Battery Case	1	SW-2503221BK	338061	S35-4 Series BBS System Shock Body (S)	2	SW-338061
2503260-01	S35-3 Series Plastic Wheel Hub Inserts Set	1	SW-2503260-01	338062	S35-4 Series BBS System Teflon Coated Shock Shaft (L)	2	SW-338062
2503260-02	S35-3 Series Plastic Arm Inserts Set	1	SW-2503260-02	338063	S35-4 Series BBS System Teflon Coated Shock Shaft (S)	2	SW-338063
2503260-04	S35-3 Series Plastic Knuckle Inserts Set	1	SW-2503260-04	338064	S35-4 E-Buggy Series T7 Aluminum Lightened Main Chassis	1	SW-338064
2503261A	S35-3/GT Series Gear Box Set (Fit 5x13x4mm Ball Bearing)	2	SW-2503261A	338065	S35-4 E-Buggy Series T7 Aluminum Motor Mount	1	SW-338065
2503264A	S35-3 Series Front Steering Knuckle (Type 2.0) L	1	SW-2503264A	338066	S35-4 E-Buggy Series T7 Aluminum Center Diff Mount (CF)	1	SW-338066
2503270-1	S35-3 Series Front Upper Arms	2	SW-2503270-1	338067	S35-4 Series Emulsion/Bladder 2 Ways Syatem Shock Cap	4	SW-338067
2503270-2	S35-3 Series Rear Upper Arm Outside Ball Ends	4	SW-2503270-2	338068	S35-4 Series T7 Aluminum Shock Stud (L)	2	SW-338068
2503270-3	S35-3 Series Front Steering Ball Ends	2	SW-2503270-3	338070	S35 Series Rear Upper Sus. Arm Ball Stud	2	SW-338070
228001	S35-4 Series Plastic Inserts Set	2	SW-228001	340003	S35-3 Series Pro-composite Carbon Front Upper Arm Cover Set (1mm)	2	SW-340003
228002-1	S35-4 Series Plastic Rear Wheel Hub (R=L)	2	SW-228002-1	340015	S35-3E/S35-2E/Apollo Series Carbon Fiber Rear Brace Mount	1	SW-340015
228003S	S35 Series Integrated Wing Mount Set (Soft Material)	1	SW-228003S	340016	S35-4 Series Pro-composite Carbon Rear Wheel Hub Adjust Plate (R=L)	4	SW-340016
228004	S35-4 Series Plastic Side Guard Set	1	SW-228004	340017	S35-4 Series Pro-composite Carbon Steering Bellcrank Plate	1	SW-340017
2280055-F	S35-4 Series Front Lower Arm in Soft Material	2	SW-2280055-F	340018	S35-4E Series Pro-composite Carbon Center Diff. Plate	1	SW-340018
2280055-R	S35-4 Series Rear Lower Arm in Soft Material	2	SW-2280055-R	400002	O-ring S5 4.8X1.5	6	SW-400002
228006	S35 Series Shock End/Body Mount/Ball Ends Set	2	SW-228006	400005	Shock Spring Adjust Nut O-Ring	4	SW-400005
228007	S35-4E Buggy Series Steering Servo Mount/Center Diff Mount Plastic Parts	1	SW-228007	400006	shock seal O-Ring	8	SW-210058
228008BK	SWORKz 1/8 Off Road Formula 2.0 Race Wing (BK)	1	SW-228008BK	400009	Shock Boot (L)	2	SW-400009
210058	S350 New BBS System Shock Seal Washer 3.6X7X2.5mm	8	SW-210058	400010	Shock Boot (S)	2	SW-400010
210058	S350 New BBS System Shock Seal Washer 3.5X7X1.0mm	4	SW-210058	400013	S104 Shock Seal O-ring 2x2.7mm	4	SW-400013
210046	S350 Series LDS Universal Cross Drive Shaft Set 92.5mm (1pc)	4	SW-210046	400019	S350 New BBS System Shock Spring Adjust Nut O-Ring	4	SW-400019
200193	Antenna Tube	1	SW-200193	400020	S350 New BBS System Shock Seal O-Ring	4	SW-400020
258001C-E	S35 Series Falcon ST-4 Clean Body Shell (Pre-Cut for EP Buggy)	1	SW-258001C-E	400022	S350 New BBS System Shock Bladder (Medium)	4	SW-400022
328001	S35-3W Diff. Bevel Gear 20T	6	SW-328001	400023	S35 Series BBS System Seal O-Ring for Emulsion Shock Cap	4	SW-400023
328001	S35-3W Diff. Bevel Gear 10T	12	SW-328001	420010	Antenna Cup	1	SW-420010
330015	Pin M2.2x9.9mm	6	SW-330015	510080A	SWORKz 1/8 Off Road Formula Race Wing Decal	1	SW-228008BK
330114A	S350 Sseries Servo Saver Post (HC)	1	SW-330114A	510091	SWORKz Original Logo Sticker	1	SW-510091
330117A	S350 Series Knuckle Pivot Ball Washer (GM)	2	SW-330117A	518002	S35-4E Body Decal Sheet	1	SW-258001C-E
330118A	S350 Series Knuckle Pivot Ball Nut(GM)	4	SW-330118A	518003	S35 Series Falcon ST-4 Clean Body Shell Window Mask	1	SW-258001C-E
330119	Front Upper Arm HingPin	2	SW-330119	610019	S35-3 Series Servo Saver Spring Dusty Protect Sponge	1	SW-610019
330121B	S350 Wheel Hub (L4.5mm) (HC)	4	SW-330121B	610020	S35-3 Series Center Big Bore Plastic Diff. Case Gasket	1	SW-610020
330122A	S350 Wheel Nut (HC)	4	SW-330122A	610023	S35-3W Diff. Gasket (0.4T)	2	SW-610023
330123A	S350 EVO Rear Upper Sus. Arm Turnbuckles M5x38mm	2	SW-330123A	115004A	Servo Saver Spring	1	SW-115004A
330124	Pin M3.0x16.8mm	4	SW-330124	115005	Rear Sway Bar 2.8mm	1	SW-115005
330125	Rear Upper Sus. Arm Ball Stud	2	SW-330125	115006	Rear Sway Bar 2.6mm	1	SW-115006
330126A	S350 EVO Steering Turnbuckle M4x40mm	2	SW-330126A	115008A	Front Sway Bar 2.3mm	1	SW-115008A
330134	Shock Ball Stud	9	SW-330134	115019	Body Clip	2	SW-115019
330136	Sway Bar Ball Stud	4	SW-330136	115035A	Front Sway Bar 2.2mm	1	SW-115035A
330138B	S350 EVO Aluminum Shock Cap Stud (-1.3mm)	2	SW-330138B	115164	S35 Series Competition Black Line Front Shock Spring (3 Dot)(75X1.6X9.0)	2	SWC-115164
330243	SWORKz 3x16mm Shock Hex Screw Clockwise	2	SW-330243	115183	S35-4 Black Competition Front Shock Spring (US3-Dot)(62X1.6X7.75)	2	SWC-115183
330244	SWORKz 3x16mm Shock Hex Screw Anti-Clockwise	2	SW-330243	116004	Ball Bearing 6x10x3mm	4	SW-116004
330245	BE1 Motor Gear 15T	1	SW-330245	116006	Ball Bearing 8x16x5mm	14	SW-116006
330252	S350 BX1/BR1 Steering Knuckle Pivot Ball Turnbuckle	4	SW-330252	116019	Ball Bearing 5x13x4mm	4	SW-116019
330557	S350 New BBS System Shock Seal Cap (GM)	4	SW-330557	117003	Flange Ball Bearing 3x6x2.5mm	4	SW-117003
330560B	S35 New BBS System Shock Spring Adjust Nut (BK)	4	SW-330560B	101004	Washer 3.5X10X0.2mm	12	SW-101004
330661A	S35-T/S35 Series Competition Center Drive Join (5mm set screw)	2	SW-330661A	101010A	M3 Countersunk Washer (GM)	4	SW-101010A
330562A	S350 New BBS System Shock Piston 1.3mmX6 Holes (BK)	2	SW-330562A	101011	M2.6x6xT0.6mm	4	SW-101011
330563A	S350 New BBS System Shock Piston 1.4mmX6 Holes (BK)	2	SW-330563A	101012	M3x6xT0.6mm	4	SW-101012
330694A	S35 E Series 6mm Steel Ball Stud	1	SW-330694A	101018	SHIM 13x16x0.2mm	12	SW-101018
330697	S35-2E Center Rear Drive Shaft (S)	1	SW-330697	101019	SHIM 6.0x10.0x0.2mm	1	SW-101019
330699B	S35-2E/3E Center Main Drive Shaft (L)	1	SW-330699B	101020A	S350 Sries 3mm Countersunk Washers (GM)	5	SW-101020A
330777A	S35-4 Series Steering Linkage Ball Stud 7mm (L7)	4	SW-330777A	101021	M3x8xT0.8mm	2	SW-101021
330782	S35-3 Series Rear Hub Carriers Hinge Pin	2	SW-330782	101039	Steel Washer 5x12x0.3mm	6	SW-101039
338011	S35 series Pinion Gear Stopper (5x7x5.1mm)	2	SW-338011	103001	M3 Nut Lock	17	SW-103001
338014	S35-3W T-7075AL Rear Lower Fully Adjustable Toe-In Block (3 degree)	1	SW-338014	103003A	Flange M3 Nut Lock (GM)	5	SW-103003A
338023	S35-3W Pinion Gear 13T	2	SW-338023	103004	M2.5mm Nut Lock	4	SW-103004
338024	S35-3W Crown Gear 43T	2	SW-338024	104004	M3x3mm Set Screw	4	SW-104004
338025	S35-3W Bevel Gear Shaft	6	SW-338025	104005	M3x4mm Set Screw	4	SW-104005
338027	S35-3W Front/Rear Diff. Outdrive	4	SW-338027	104009	M3x16mm Set Screw	1	SW-104009
338028	S35-3W Center Diff. Outdrive	2	SW-338028	104010	M5x4mm Set Screw (Flat Bottom)	6	SW-104010
338038A	S35-3E/S35-2E/Apollo Series Roll Bar Brace	1	SW-338038A	104011	M4x4mm Set Screw (Flat Bottom)	1	SW-104011
338039	S35-3/4 Series Center HET Spur Gear (46T)	1	SW-338039	105001	M3x8mm Cap Screw	1	SW-105001
338043	S35-3/4 Series Servo Saver Nut with Screw Fixed	1	SW-338043	105005	M3x12mm Cap Screw	2	SW-105005
338048	S35-4 Series Servo Saver Shaft	2	SW-338048	105006A	M3x28mm Cap Screw full thread	2	SW-105006A
338049	S35-4 Series T7 Aluminum Rear Front Lower Suspension Plate (RF)	1	SW-338049	105013A	M3x25mm Cap Screw	2	SW-105013A
338050	S35-4 Series T7 Aluminum Rear Shock Tower	1	SW-338050	105018	M2x6mm Cap Head Screw	1	SW-105018
338051	S35-4 Series T7 Aluminum Steering Knuckle Plate (R=L)	2	SW-338051	105020	M4x10mm Cap Screw	2	SW-105020
338052	S35-4 Series T7 Aluminum Setting Bellcrank Upper Part-A (with 2Hole)	1	SW-338052	106001	M3x8mm Hex Soket OH/TP Screw	1	SW-106001
338053	S35-4 Series T7 Aluminum Steering Plate	1	SW-338053	106002	M3x10mm Hex Soket OH/TP Screw	12	SW-106002
338054	S35-4 Series T7 Aluminum Front Shock Tower	1	SW-338054	106003	M3x16mm Hex Soket OH/TP Screw	4	SW-106003

Part No.	Part Name	Q`ty in Use	Item No.
106006	M3x20mm Hex Soket OH/TP Screw	6	SW-106006
106007	M3x12mm Hex Soket OH/TP Screw (HT)	3	SW-106007
106008	M3x12mm Hex Soket OH/TP Screw	8	SW-106008
106009	M3x25mm Hex Soket OH/TP Screw	6	SW-106009
106013	M2.5x8mm 1.5mmHex Soket OH/ST Screw	6	SW-106013
106015	M3x5mm Hex Soket OH/TP Screw	2	SW-106015
106020	M2.5x5mm 1.5mmHex Soket OH/ST Screw	10	SW-106020
106021A	S35 Series M4x10mm Hex Soket OH/TP Set Screw	4	SW-106021A
106024	M4x12mm Hex Soket OH/TP Screw	2	SW-106024
106025	M2.5x8mm Hex Soket OH/TP Screw	5	SW-228008BK
108001	M3x12mm FH/ST HEX Screw	20	SW-108001
108003	M3x10mm FH/ST HEX Screw	33	SW-108003
108005	M3x14mm FH/ST HEX Screw	2	SW-108005
108006	M3x8mm FH/ST HEX Screw	29	SW-108006
108007	M3x6mm FH/ST HEX Screw	6	SW-108007
108008	M3x35mm FH/ST HEX Screw	4	SW-108008
108010	M4x10mm FH/ST HEX Screw	4	SW-108010
108012	M4x16mm FH/ST HEX Screw	8	SW-108012
108019	M2.6x6mm FH/ST HEX Screw	2	SW-108019
108029	M2.0x4.6mm FH/ST HEX Screw (1.5mm HexHead)	4	SW-108029

Spare Part List

Item No.	Part Name	Item No.	Part Name
SW-2501097B	S35 Series Front Bumper (2PC)	SW-338060	S35-4 Series BBS System Shock Body (L)(2PC)
SW-2501121C	S35/S350 Series Ball End Set with Shock Plastic Parts	SW-338061	S35-4 Series BBS System Shock Body (S)(2PC)
SW-2501122B	S35/S350 Series Setting Bellcrank Set 2.0 Set (with Servo Horn)	SW-338062	S35-4 Series BBS System Tiefron Coated Shock Shaft (L)(2PC)
SW-2503260-01	S353 Series Plastic Wheel Hub Inserts Set	SW-338063	S35-4 Series BBS System Tiefron Coated Shock Shaft (S)(2PC)
SW-2503260-02	S35-3 Series Plastic Arm Inserts Set	SW-338064	S35-4 E-Buggy Series T7 Aluminum Lightened Main Chassis
SW-2503260-04	S35-3 Series Plastic Knuckle Inserts Set	SW-338065	S35-4 E-Buggy Series T7 Aluminum Motor Mount
SW-2503261A	S35-3/GT Series Gear Box Set (Fit 5x13x4mm Ball Bearing)	SW-338066	S35-4 E-Buggy Series T7 Aluminum Center Diff Mount (CF)
SW-2503264A	S35-3 Series Front Steering Knuckle (Type 2.0)	SW-338067	S35-4 Series Emulsion/Bladder 2 Ways Syatem Shock Cap (2PC)
SW-2503270-01	S35-3 Series Front Upper Arms (2pc)	SW-338068	S35-4 Series T7 Aluminum Shock Stud (L)(2PC)
SW-2503270-02	S35-3 Series Rear Upper Arm Outside Ball Ends (2pc)	SW-338070	S35 Series Rear Upper Sus. Arm Ball Stud (2PC)
SW-2503270-03	S35-3 Series Front Steering Ball Ends (4pc)	SW-340003	S35-3 Series Pro-composite Carbon Front Upper Arm Cover Set (1mm)
SW-228001	S35-4 Series Plastic Inserts Set (2Set)	SW-340015	S35-3E/S35-2E/Apollo Series Carbon Fiber Rear Brace Mount
SW-228002-1	S35-4 Series Plastic Rear Wheel Hub (R=L)(2PC)	SW-340016	S35-4 Series Pro-composite Carbon Rear Wheel Hub Adjust Plate (R=L)(2PC)
SW-228003S	S35 Series Integrated Wing Mount Set (Soft Material)	SW-340017	S35-4 Series Pro-composite Carbon Steering Bellcrank Plate
SW-228004	S35-4 Series Plastic Side Guard Set	SW-340018	S35-4E Series Pro-composite Carbon Center Diff. Plate
SW-228005S-F	S35-4 Series Front Lower Arm in Soft Material (1PC)	SW-400002	O-ring S5 4.8X1.5
SW-228005S-R	S35-4 Series Rear Lower Arm in Soft Material (1PC)	SW-400005	Shock Spring Adjust Nut O-Ring
SW-228006	S35 Series Shock End/Body Mount/Ball Ends Set (2Set)	SW-400009	Shock Boot (L)
SW-228007	S35-4E Buggy Series Steering Servo Mount/Center Diff Mount Plastic Parts	SW-400010	Shock Boot (S)
SW-228008BK	SWORKz 1/8 Off Road Formula 2.0 Race Wing (BK)	SW-400013	SWORKz Shock Seal O-ring 2x2.7mm (8PC)
SW-200193	Antenna Tube	SW-400019	S350 New BBS System Shock Spring Adjust Nut O-Ring (4pc)
SW-210046	S350 Series LDS Universal Cross Drive Shaft Set 92.5mm (1pc)	SW-400020	S350 New BBS System Shock Seal O-Ring (4pc)
SW-210058	S350 series BBS Shock Seal Kit	SW-400023	S35-4 Series BBS System Seal O-Ring for Emulsion Shock Cap (4PC)
SW-220079A	S35-4 Plastic Center Big Bore HET Diff Case	SW-40022	S350 New BBS System Shock Bladder (Medium)
SW-210091	S35-3W Plastic Front/Rear Big Bore Diff Case	SW-420010	Antenna Cup
SW-258001C-E	S35 Series Falcon ST-4 Clean Body Shell (Pre-Cut for EP Buggy)	SW-510091	SWORKz Original Logo Sticker (2PC)
SW-328001	S35-3/4 Series HET Diff. Bevel Gear Set	SW-610019	S35-3 Series Servo Saver Spring Dusty Protect Sponge (2pc)
SW-330015	Pin M2.2x9.9mm	SW-610020	S35-3 Series Center Big Bore Plastic Diff. Case Gasket (3pc)
SW-330114A	S350 Series Servo Saver Post (HC)	SW-610023	S35-4 HET Diff. Gasket (0.4T)(4pc)
SW-330117A	S350 Series Knuckle Pivot Ball Washer (GM)	SW-115004A	Servo Saver Spring
SW-330118A	S350 Series Knuckle Pivot Ball Nut (GM)	SW-115005	Rear Sway Bar 2.8mm
SW-330119	Front Upper Arm HingPin	SW-115006	Rear Sway Bar 2.6mm
SW-330121B	S350 Wheel Hub (L4.5mm)(HC)	SW-115008A	Front Sway Bar 2.3mm
SW-330122A	S350 Wheel Nut (HC)	SW-115019	Body Clip
SW-330123A	S350 EVO Rear Upper Sus. Arm Turnbuckles M5x38mm	SW-115035A	S35/350 Series Front Sway Bar 2.2mm
SW-330124	Pin M3.0x16.8mm	SWC-115164	S35 Series Black Competition Front Shock Spring (M3-Dot)(75X1.6X9.0)
SW-330125	Rear Upper Sus. Arm Ball Stud	SWC-115183	S35-4 Black Competition Front Shock Spring (US3-Dot)(62X1.6X7.75)
SW-330126A	S350 EVO Steering Turnbuckle M4x40mm	SW-116004	Ball Bearing 6x10x3mm (4pc)
SW-330134	Shock Ball Stud 6mmxL6.7	SW-116006	Ball Bearing 8x16x5mm (10pc)
SW-330136	Sway Bar Ball Stud	SW-116019	Ball Bearing 5x13x4mm (4PC)
SW-330138B	S350 Series Aluminum Shock Cap Stud (-1.3mm)(2PC)	SW-117003	Flange Ball Bearing 3x6x2.5mm(2pc)
SW-330243	SWORKz 3x18mm Shock Hex Screw Set (Anti-Clockwise)	SW-101004	Washer 3.5X10X0.2mm
SW-330245	SWORKz 1/8 Motor Pinion Gear 15T	SW-101010A	M3 Countersunk Washer(GM)
SW-330252	S350 BX1/BR1 Steering Knuckle Pivot Ball Turnbuckle	SW-101011	M2.6x6xT0.6mm
SW-330557	S350 New BBS System Shock Seal Cap (GM)	SW-101012	M3x6xT0.6mm
SW-330560B	S35 New BBS System Shock Spring Adjust Nut (BK)	SW-101018	SHIM 13x16x0.2mm
SW-330562A	S35 Series BBS System Shock Piston 1.3mmX6 Holes (BK)(2PC)	SW-101019	SHIM 6.0x10.0x0.2mm
SW-330563A	S35 Series BBS System Shock Piston 1.4mmX6 Holes (BK)(2PC)	SW-101020A	S350 Sries 3mm Countersunk Washers (GM)
SW-330661A	S35-T/S35 Series Competition Center Drive Join (5mm set screw)	SW-101021	M3x8xT0.8mm
SW-330694A	S35 E Series 6mm Steel Ball Stud	SW-101039	Steel Washer 5x12x0.3mm
SW-330697	S35-2E Center Rear Drive Shaft (S)	SW-103001	M3 Nut Lock
SW-330699B	S35-2E/3E Center Main Drive Shaft (L)	SW-103003A	Flange M3 Nut Lock (GM)
SW-330777A	S35-4 Series Steering Linkage Ball Stud 7mm(L7)(4PC)	SW-103004	M2.5mm Nut Lock
SW-330782	S35-3 Series Rear Hub Carriers Hinge Pin	SW-104004	M3x3mm Set Screw
SW-338011	S35-3 series Pinion Gear Stopper (5x7x5.1mm)(4PC)	SW-104005	M3x4mm Set Screw
SW-338014	S35-3W T-7075AL Rear Lower Fully Adjustable Toe-In Block(3 degree)	SW-104009	M3x16mm Set Screw
SW-338023	S35-3W Pinion Gear 13T	SW-104010	M5x4mm Set Screw (Flat Bottom)
SW-338024	S35-3W Crown Gear 43T	SW-104011	M4x4mm Set Screw (Flat Bottom)
SW-338025	S35-4 HET Bevel Gear Shaft (2pc)	SW-105001	M3x8mm Cap Screw
SW-338027	S35-4 Front/Rear HET Diff. Outdrive (2pc)	SW-105005	M3x12mm Cap Screw
SW-338028	S35-4 Center HET Diff. Outdrive (2pc)	SW-105006A	M3x28mm Cap Screw full thread
SW-338038A	S35-3E/S35-2E/Apollo Series T7075 Roll Bar Brace	SW-105013A	M3x25mm Cap Screw
SW-338039	S35-3/4 Series Center HET Spur Gear (46T)	SW-105018	M2x6mm Cap Head Screw (10PC)
SW-338043	S35-3/4 Series Servo Saver Nut with Screw Fixed	SW-105020	M4x10mm Cap Screw (8PC)
SW-338048	S35-4 Series Servo Saver Shaft(2PC)	SW-106001	M3x8mm Hex Soket OH/TP Screw
SW-338049	S35-4 Series T7 Aluminum Rear Front Lower Suspension Plate (RF)	SW-106002	M3x10mm Hex Soket OH/TP Screw
SW-338050	S35-4 Series T7 Aluminum Rear Shock Tower	SW-106003	M3x16mm Hex Soket OH/TP Screw
SW-338051	S35-4 Series T7 Aluminum Steering Knuckle Plate (R=L)	SW-106006	M3x20mm Hex Soket OH/TP Screw
SW-338052	S35-4 Series T7 Aluminum Setting Bellcrank Upper Part-A (with 2Hole)	SW-106007	M3x12mm Hex Soket OH/TP Screw (HT)
SW-338053	S35-4 Series T7 Aluminum Steering Plate	SW-106008	M3x12mm Hex Soket OH/TP Screw
SW-338054	S35-4 Series T7 Aluminum Front Shock Tower	SW-106009	M3x25mm Hex Soket OH/TP Screw
SW-338056	S35-4 Series Lower Arm Hinge Pin (68.5mm)(2pc)	SW-106013	M2.5x8mm 1.5mmHex Soket OH/ST Screw
SW-338057	S35-4 Series T7 Aluminum Front Upper Arm Holder	SW-106015	M3x5mm Hex Soket OH/TP Screw
SW-338058	S35-4 Series T7 Aluminum Front Lower Arm Plate (FF)	SW-106020	M2.5x5mm 1.5mmHex Soket OH/ST Screw
SW-338059	S35-4 Series T7 Aluminum Front Lower Arm Holder (FR)	SW-106021A	S35 Series M4x10mm Hex Soket OH/TP Set Screw

Option Part List

Item No.	Part Name
SW-106024	M4x12mm Hex Somet OH/TP Screw (8PC)
SW-108001	M3x12mm FH/ST HEX Screw
SW-108003	M3x10mm FH/ST HEX Screw
SW-108005	M3x14mm FH/ST HEX Screw
SW-108006	M3x8mm FH/ST HEX Screw
SW-108007	M3x6mm FH/ST HEX Screw
SW-108008	M3x35mm FH/ST HEX Screw
SW-108010	M4x10mm FH/ST HEX Screw
SW-108012	M4x16mm FH/ST HEX Screw
SW-108019	M2.6x6mm FH/ST HEX Screw
SW-108029	M2.0x4.6mm FH/ST HEX Screw (1.5mm HexHead)

Item No.	Part Name
SW-116006A	High Performance Rubber Cover Ball Bearing 8x16x5mm (10pc)
SW-116010B	High Performance Ball Bearing 5x10x4mm(coffee)(4pc)
SW-116019C	SWORKz High Performance 5x13x4mm Ball Bearing (Rubber Case)(4PC)
SW-250050	SWORKz 1/8 Off Road Formula Bulkhead Wing (4PC)/ Front Upper Arm's Wing Set (4PC)
SW-228003H	S35 Series Integrated Wing Mount Set (Hard Material)
SW-220014FY	SWORKz 1/8 Off Road Speed Wing (FY)
SW-220014WH	SWORKz 1/8 Off Road Speed Wing (WH)
SW-250041	S350 Falcon II Clean Body Shell
SW-220018BK	SWORKz 1/8 Off Road Formula Race Wing with brand sticker (BK)
SW-220018WH	SWORKz 1/8 Off Road Formula Race Wing with brand sticker (WH)
SW-220018FY	SWORKz 1/8 Off Road Formula Race Wing with brand sticker (FY)
SW-2501116	S-WORKz High Done Force Wing Set (BK)(Fit S350)
SW-2501116A	S-WORKz High Done Force Wing Set (BK)
SW-2501116AFY	S-WORKz High Done Force Wing Set (FY)
SW-2501116AWH	S-WORKz High Done Force Wing Set (WH)
SW-2503260FO	S353 Series Colorful Plastic Inserts Set (FO)
SW-2503260FY	S353 Series Colorful Plastic Inserts Set (FY)
SW-2503260LB	S353 Series Colorful Plastic Inserts Set (SB)(2 SET)
SW-2503270-01H	S35-3 Series Front Upper Arms with Hard Material (2pc)
SW-210079AH	S35-4 Plastic Center Big Bore HET Diff Case (Hard)
SW-210091H	S35-4 Plastic Front/Rear Big Bore HET Diff Case (Hard)
SW-218006	S35-4 Series HET Front/Rear Big Bore Diff. Set (43T)
SW-228005M-F	S35-4 Series Front Lower Arm in Medium Material (1PC)
SW-228005M-R	S35-4 Series Rear Lower Arm in Medium Material (1PC)
SW-228005H-F	S35-4 Series Front Lower Arm in Hard Material (1PC)
SW-228005H-R	S35-4 Series Rear Lower Arm in Hard Material (1PC)
SW-228008WH	SWORKz 1/8 Off Road Formula 2.0 Race Wing (WH)
SW-228008FY	SWORKz 1/8 Off Road Formula 2.0 Race Wing (FY)
SW-300049	SWORKz S35-3/S350 Series Rear Stainless Chassis End Protection (2PC)
SW-330115	Steering Knuckle Pivot Ball Turnbuckle
SW-330116	14mm Knuckle Pivot Ball
SW-330125A	S350 Series Aluminum Rear Upper Sus. Arm Ball Stud(4pc)
SW-330134A	S350 Series Aluminum Shock Ball Stud(4pc)
SW-330136A	S350 Series Aluminum Sway Bar Ball Stud(4pc)
SW-330168A	S35-3 Series Rear Chassis Balance wight 15g(2pc)
SW-330398A	SWORKz S350 Series Pro Wheel Nut (GM)
SW-330420	S350 Series Knuckle Pivot Ball Balance Nut (5.5g) (2pc)
SW-330424	S350 Series Aluminum Wing Holder (RED)
SW-330424B	S350 Series Aluminum Wing Holder (BK)
SW-330424G	S350 Series Aluminum Wing Holder (GM)
SW-330505A	S35 Series Lightened Wheel Hub for 8mm Axil (L6.5mm)
SW-330506A	S35 Series Lightened Wheel Hub for 8mm Axil (L5.0mm)
SW-330564A	S35 Series BBS System Shock Piston 1.5mmX6 Holes (BK)
SW-330565	S350 BBS System Shock Piston 1.3mmX8 Oblique Holes (2pc)
SW-330566	S350 BBS System Shock Piston 1.2mmX8 Oblique Holes (2pc)
SW-330696	S35E Series Aluminum Rear Drive Shaft (S)
SW-330698	S35E Series Aluminum Center Main Drive Shaft (L)
SW-330777B	S35-4 Series Aluminum Steering Linkage Ball Stud 7mm(L7)(4PC)
SW-338069	S35-4 E-Buggy Series Brass Material Center Chassis Brace (50g)
SW-338070A	S35 Series Rear Upper Arm Aluminum Ball Stud(2PC)
SW-338078-25	SWORKz Uni-Design 2-Way System Aluminum Steering Servo Horn 25T
SW-338078-23	SWORKz Uni-Design 2-Way System Aluminum Steering Servo Horn 23T
SW-340003A	S35-3 Series Pro-composite Carbon Front Upper Arm Cover (1.5mm)(2PC)
SW-400021	S350 New BBS System Shock Bladder (Soft)(4pc)
SWC-115107	S350 Competition Shock Spring A-2 (75X1.4X7.25)(Red)
SWC-115109	S350 Competition Shock Spring B-2 (90X1.4X8.5)(Pink)
SWC-115110	S350 Competition Shock Spring C-1 (75X1.5X7.75)(SkyBlue)
SWC-115118	S350 Competition Shock Spring E-3 (90X1.5X8.5)(Blue)
SWC-116006C	SWORKz Competition 8x16x5mm Ball Bearing (Metal Case)(6PC)
SWC-116019A	SWORKz Competition 5x13x4mm Ball Bearing (Metal Case)(4PC)
SWC-116019B	SWORKz Competition 5x13x4mm Ball Bearing (Metal Case/Japan)(4PC)
SW-218001	S35/350 Series Font Sway Bar Set (2.0/2.1/2.2/2.3/2.4/2.5/2.6/2.8mm)
SW-218002	S35/350 Series Rear Sway Bar Set (2.4/2.5/2.6/2.7/2.8/3.0mm)
SWC-340007	S35-3 Series Pro-composite Carbon Front Upper Done Force Wing Set
SWC-330115A	S350 Series Competition Titanium Steering Knuckle Pivot Ball Turnbuckle
SWC-338015	S35-3 T-7075AL Rear Hub Carry for Wide Suspension (R=L)(1pc)
SW-338039	S35-3/4 Series Center HET Spur Gear (46T)
SW-338041	S35-3/4 Series Center HET Spur Gear (48T)
SW-338075	S35-4 Series T7 Aluminum Rear Wheel Hub (R=L)(2PC)
SWC-115163	S35 Series Black Competition Front Shock Spring (M4-Dot)(75X1.6X8.75)
SWC-115165	S35 Series Black Competition Front Shock Spring (M2-Dot)(75X1.6X9.25)
SWC-115182	S35-4 Black Competition Front Shock Spring (US4-Dot)(62X1.6X7.5)
SWC-115184	S35-4 Black Competition Front Shock Spring (US2-Dot)(62X1.6X8.0)

S35-4E

1/8 Off Road Brushless Power Pro Buggy



SPEEDMASTER HOBBY CO., LTD.

TEL: +886-3-538-7638

FAX: +886-3-538-7328

No.42, Ruiguang St., Xiangshan Dist.,
Hsinchu City 300, Taiwan (R.O.C.)

www.sworkz.com