



Driver: \_\_\_\_\_ Date: \_\_\_\_\_ Event/Track: \_\_\_\_\_  
 Qualify: \_\_\_\_\_ Final: \_\_\_\_\_ Best Lap: \_\_\_\_\_

### TRACK TYPE

Grip Level  High  Medium  Low   
 Type  Tight  Open  Mixed   
 Condition  Flat  Bumpy  Mixed   
 Surface  Clay  Long Astro  Carpet   
 Grass  Short Astro  Mixed   
 Weather \_\_\_\_\_

### TYRES

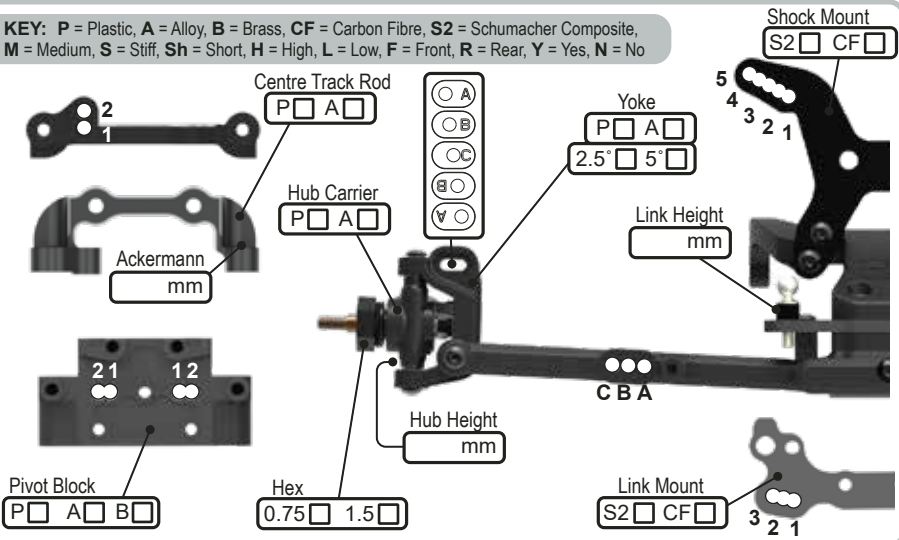
	FRONT	REAR
Tyres	_____	_____
Wheels	_____	_____
Inserts	_____	_____

Notes: \_\_\_\_\_

Notes: \_\_\_\_\_

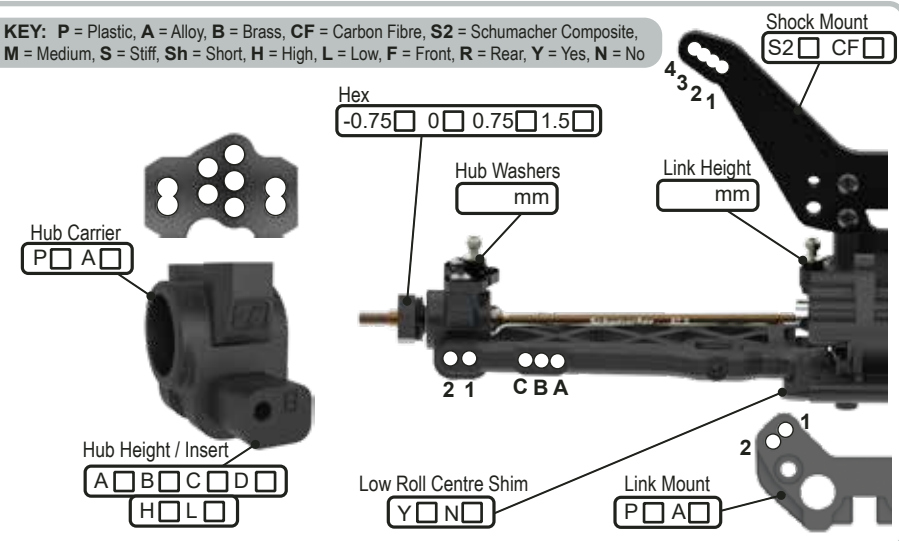
### FRONT SUSPENSION

Ride Height \_\_\_\_\_ mm  
 Wheelbase  Sh  L   
 Toe \_\_\_\_\_ deg In  Out   
 Camber at Ride Height \_\_\_\_\_ deg  
 Anti Roll Bar  1.2  1.3  1.4  1.5  1.6   
 Bump Steer Washers \_\_\_\_\_ mm  
 Pivot Block Height  H  M  L   
 Notes: \_\_\_\_\_



### REAR SUSPENSION

Ride Height \_\_\_\_\_ mm  
 Wheelbase  Sh  M  L   
 Anti-Squat  1°  2°  3°  4°   
 Toe  4°  3.5°  3°  2.5°  2°  1.5°  1.0°  0.5°   
 Camber at Ride Height \_\_\_\_\_ deg  
 Anti Roll Bar  1.0  1.1  1.2  1.3  1.4   
 Wing Gurney Height \_\_\_\_\_ mm  
 Rearward Shock Position Only  A  B   
 Driveshaft Type  CVD  U/J   
 Notes: \_\_\_\_\_



### TRANSMISSION

Diff Height  H  M  L   
 Diff Oil \_\_\_\_\_ cSt  
 Diff Type  B  2g  4g   
 Motor \_\_\_\_\_  
 Rotor Dia. \_\_\_\_\_ mm  
 Timing \_\_\_\_\_ deg  
 Pinion \_\_\_\_\_ t  
 Spur \_\_\_\_\_ t  
 Motor Plate  A  CF   
 Lock Out  Y  N   
 Slipper Plates  2  3

### CHASSIS

Chassis  A  C/F   
 Chassis Insert  0mm  +5mm   
 LiPo Position  
 1  2  3  4  5  6  7  8   
 X Brace  Y  N   
 Running Weight \_\_\_\_\_ g  
 Radio Tray  1  2  3   
 Notes: \_\_\_\_\_

### EQUIPMENT

E.S.C. \_\_\_\_\_  
 Servo \_\_\_\_\_  
 RX \_\_\_\_\_  
 LiPo \_\_\_\_\_  
 Bodyshell \_\_\_\_\_

### WEIGHTS

Chassis  F  R   
 Rear Strap  F  R   
 Radio Tray  Y  N   
 Under LiPo  Y  N

### SHOCKS

KEY: i = Internal, e = External, V = Vented, S = Sealed, A = Aeration

	FRONT	REAR
Cap	<input type="checkbox"/> V <input type="checkbox"/> S <input type="checkbox"/> A <input type="checkbox"/>	<input type="checkbox"/> V <input type="checkbox"/> S <input type="checkbox"/> A <input type="checkbox"/>
Body	_____	_____
Oil	_____ cSt	_____ cSt
Piston	_____	_____
Spring	_____ lb/in	_____ lb/in
Limiters (i)	_____ mm	_____ mm
Stroke	_____ mm	_____ mm
Limiters (e)	_____ mm	_____ mm

Notes: \_\_\_\_\_