



# FORWARD

FORMULA EIGHT

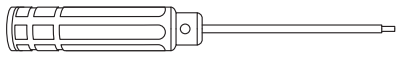
1/8 NITRO PRO  
BUGGY KIT



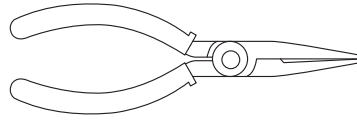
INSTRUCTION  
MANUAL

MIT  
MADE IN THAILAND

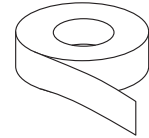
## TOOLS / MISCELLANEOUS (NOT INCLUDED)



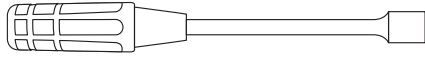
Hex Wrenches(1.5mm / 2.0mm / 2.5mm)



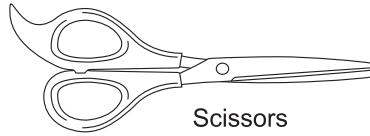
Needle Nose Pliers



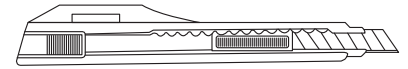
Glass or Vinyl Tape



Box Wrench(5.5mm / 7mm / 10mm)



Scissors



Hobby Knife

## OPERATION GUIDE



Assemble both left  
and right sides



Assemble  
Front and Rear



Assemble  
for 2 sets



Thread Lock



Grease



Pure Silicone Oil

## SAFETY PRECAUTIONS

The SPARKO F8 is a high performance radio control model which needs to be operated with caution and common sense.

The F8 Kit is not intended for children under the age of 14 without adult supervision.

SPARKO shall not be held liable for any loss or damages, whether direct, indirect, act of nature, arising from the abuse or misuse of this product or any other product required while operating this model.

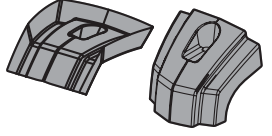
- The nitro fuel can be dangerous is improperly handled.
- Always keep your nitro fuel in a cool area and never use near flame, sparks, or while smoking.
- Keep your nitro fuel, and all other flammables, out of the reach of children.
- Always run your model in a well ventilated area outdoors. Never run your model indoors.
- After running your car, all parts of the engine and exhaust can become extremely hot. Be careful not to touch these parts especially when refueling, or making repairs.
- This model is controlled by your radio controller and is sometimes vulnerable to interference from many outside sources. This interference can cause a loss of control so it is necessary to operate this model in an open area to avoid personal, or property damage. Always ensure turning on your radio first.
- Keep all the parts included in the package out of reach of children.
- This model contains many fast rotating parts. Never touch them during operation.
- Follow the instructions included with your radio gear.
- Never operate your model near people or property. The speed of this model has the potential to injure and or damage people and or property.
- Always use original SWORKz spare parts and option parts.
- Always ensure that the buggy is in proper working condition before use.

# INDEX

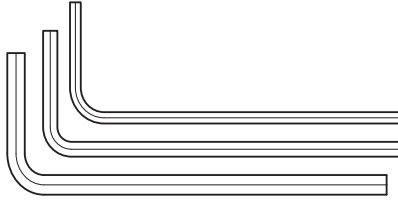
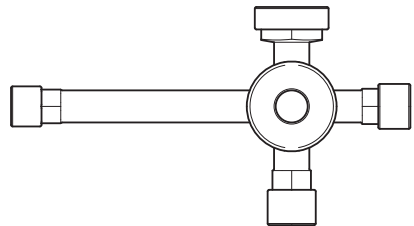
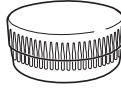
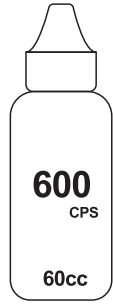


<b>BAG A</b>	Manual, Stickers and Body Shell Parts .....	1
	Body Shell .....	31~33
<b>BAG B</b>	Included Items .....	1
<b>BAG C</b>	Front / Rear and Diff. Sets .....	2
	Center Differential Set .....	3
<b>BAG D</b>	Front Gear Box .....	4
	Rear Gear Box .....	5
<b>BAG E</b>	Front Lower Arms .....	5~6
	Front Sway Bar .....	6~7
<b>BAG F</b>	Front Upper Arms .....	7~8
<b>BAG G</b>	Front Caster/Steering Blocks .....	8~9
<b>BAG H</b>	Servo Saver .....	10
<b>BAG I</b>	Rear Arms .....	11
	Raer Sway Bar .....	12~13
<b>BAG J</b>	Rear Hubs / Upper Arm Linkage Sets .....	13~15
	Tall Wing Mount .....	15
	Tires .....	31
<b>BAG K</b>	Center Diff. Mount .....	16
<b>BAG L</b>	Chassis .....	17~18
<b>BAG M</b>	Receiver Box .....	19
<b>BAG N</b>	Steering Linkage Sets .....	21
	Steering Servo Horn Set .....	22~23
<b>BAG O</b>	Fuel Tank .....	23~24
<b>BAG P</b>	Engine .....	24~25
<b>BAG Q</b>	Throttle Servo Horn Set .....	26
<b>BAG R</b>	Front / Rear Shocks .....	27~28
<b>BAG S</b>	Air Filter Set .....	29
<b>BAG T</b>	Wing .....	30
<b>FACTORY SETUP SHEET</b>	.....	34
<b>SETUP SHEET</b>	.....	35
<b>SPARE PART LIST</b>	.....	36~37
<b>UNIVERSAL PART LIST</b>	.....	38

**BAG A**

There are 2 packs for Bag A. One is for parts 1031-L/R and 1031-2/3. Another one is for Manual, Sticker and so on.

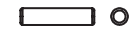
 1023 Antenna Tube Set x 1	 SS0303BK Set Screw M3x3mm x 1	 SB0308BK Ball Screw M3x8mm x1
 5001 Body Clip x 2	 1031-L/R Up arm wing set x1	 1031 Bulkhead Wing x 2
 9006 Body Shell Window Masks x 1		
 9004-BK Body Sticker-Black and White		 9005-BK Wing Sticker-Black and White

**BAG B**

 1.5mm 2mm 2.5mm L Shape Hex wrench	 Glow plug wrench		
 Grease	 600 CPS 60cc Air Filter Oil	 5000 CPS 30cc Air Filter Oil	 10000 CPS 30cc Air Filter Oil

**BAG C**

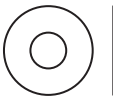
**1** **F/R** **x2**



5021  
Pin M2.2x9.8mm x 4



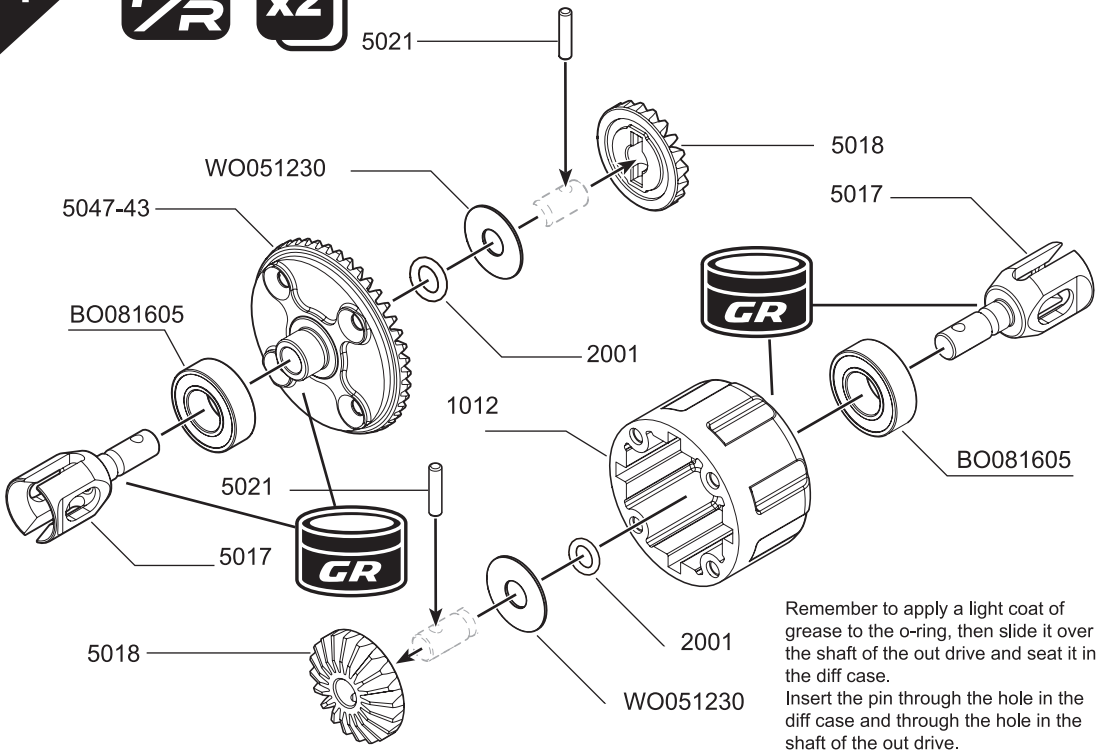
2001  
Differential O-Rings x 4



WO051230  
Differential Shim  
5x12x0.3mm x 4



BO081605  
Ball Bearing  
8x16x5mm x 4

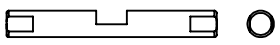


Remember to apply a light coat of grease to the o-ring, then slide it over the shaft of the out drive and seat it in the diff case. Insert the pin through the hole in the diff case and through the hole in the shaft of the out drive.

**2** **F/R** **x2**



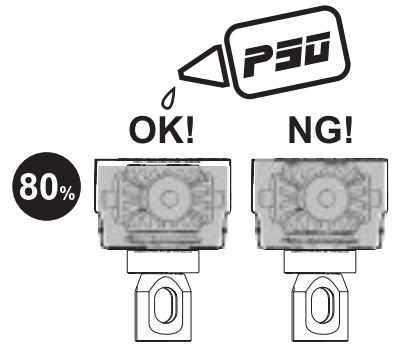
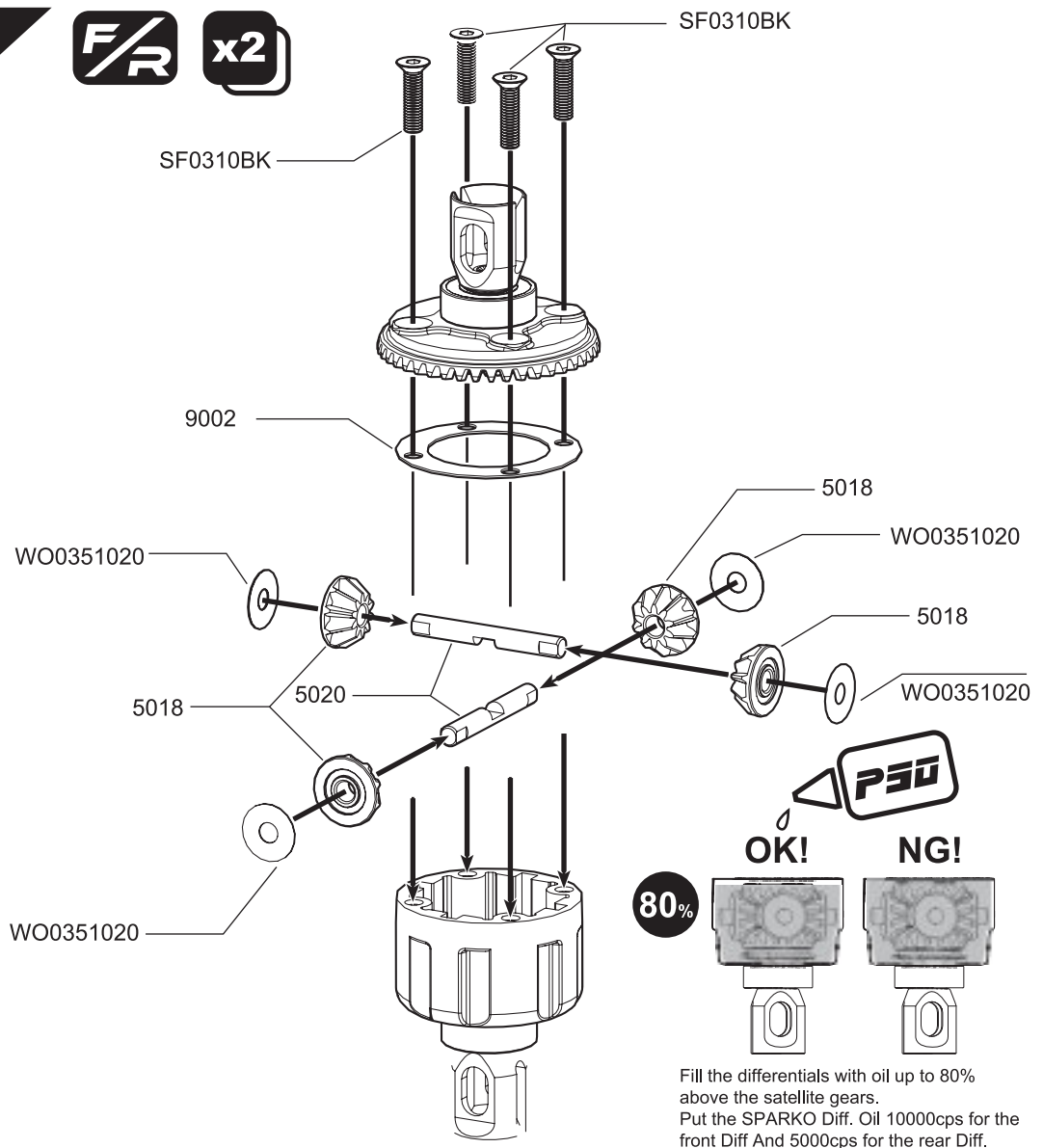
SF0310BK  
Flat Screw M3x10mm x 8



5020  
Differential Cross Pins x 4

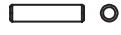


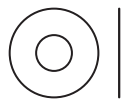


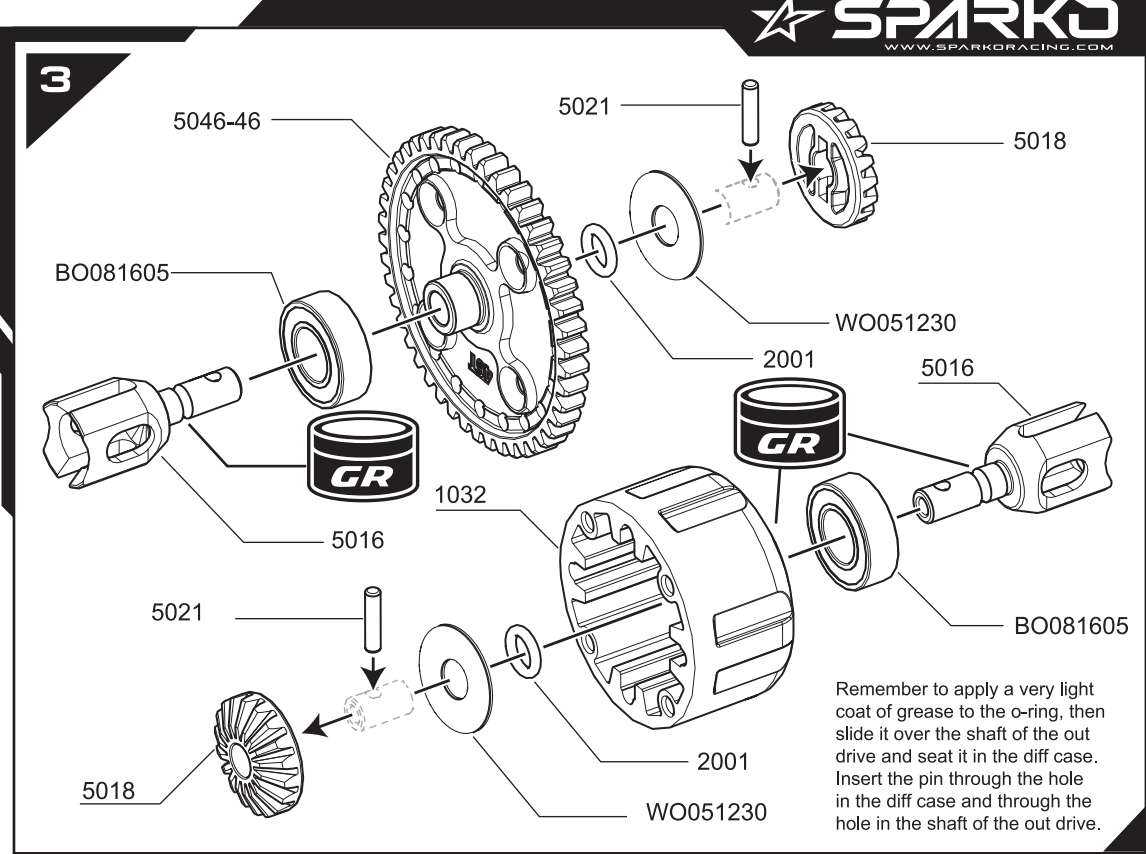
WO0351020  
Differential Shim  
3.5x10x0.2mm x 8


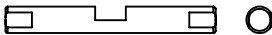



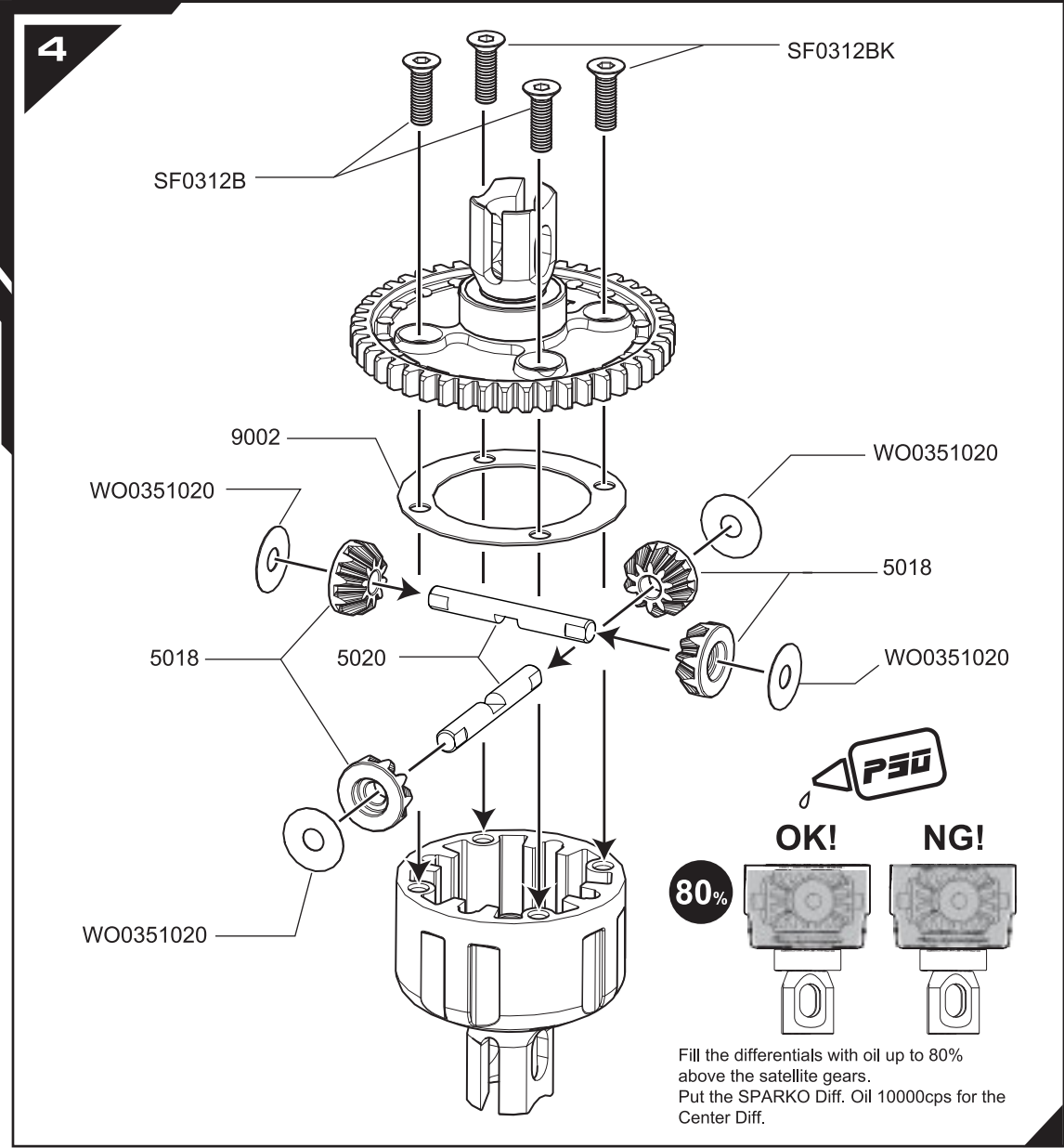
Fill the differentials with oil up to 80% above the satellite gears. Put the SPARKO Diff. Oil 10000cps for the front Diff And 5000cps for the rear Diff.

**BAG C**

-  5021  
Pin M2.2x9.8mm x 2
-  2001  
Differential O-Rings x 2
-  BO081605  
Ball Bearing 8x16x5mm x 2
-  WO051230  
Differential Shim 5x12x0.3mm x2

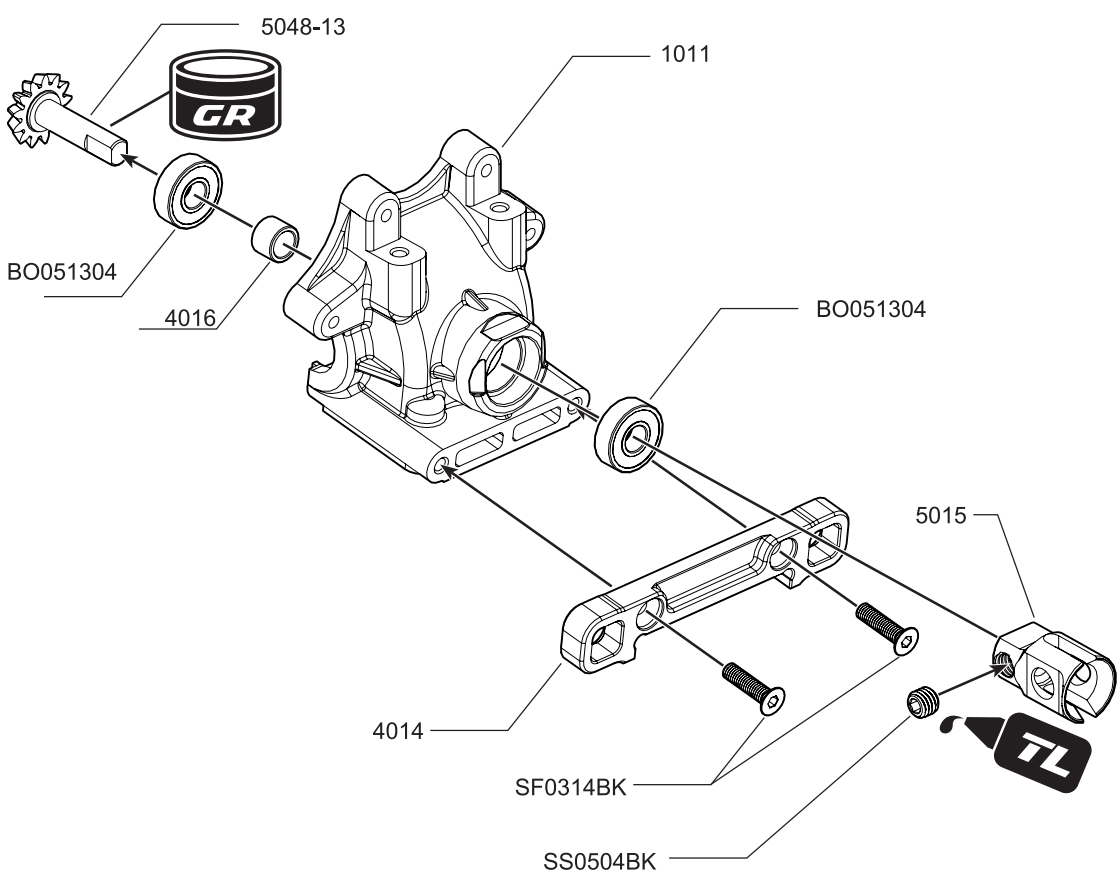


-  SF0312BK  
Flat Screw M3x12mm x 4
-  5020  
Differential Cross Pins x 2
-  WO0351020  
Differential Shim 3.5x10x0.2mm x 4



**BAG D**

**5 FRONT**



SS0504BK  
Set Screw M5x4mm x1

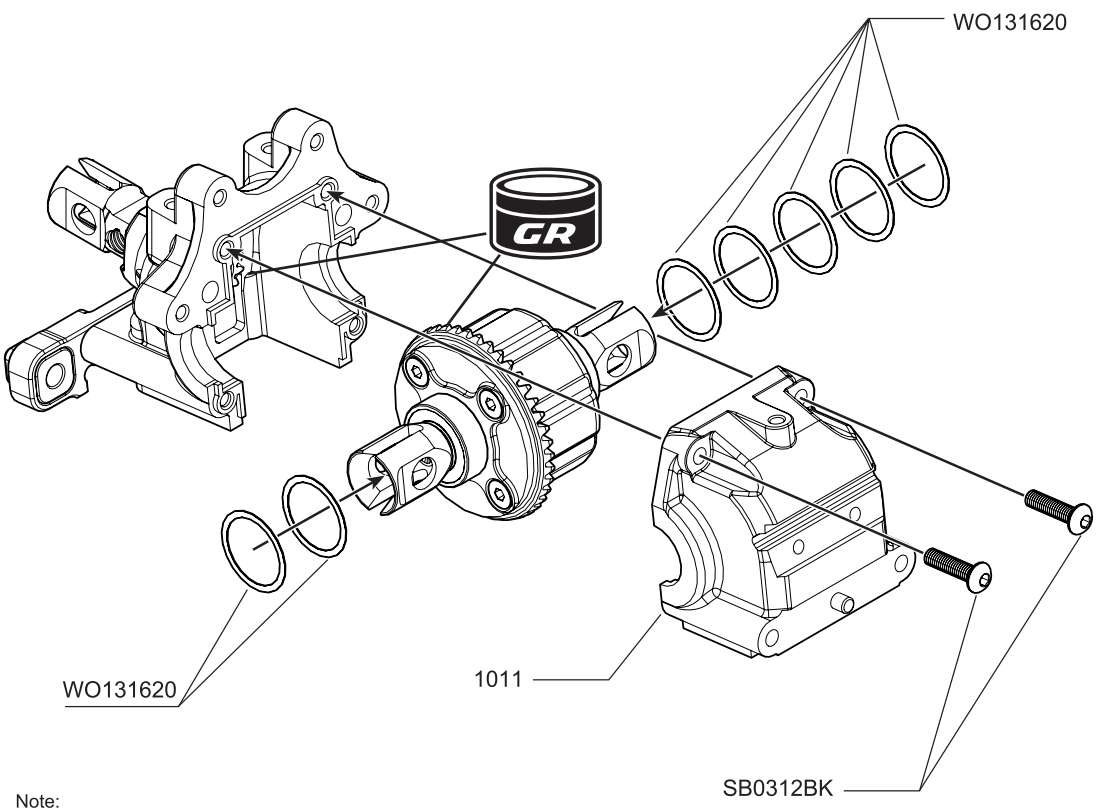
SF0314BK  
Flat Screw M3x14mm x 2

BO051304  
Ball Bearing 5x13x4 x2



WO131620  
Differential Shim  
13x16x.2mm x 7







4016  
Pinion Gear Stopper  
5x7x5.1mm x 1

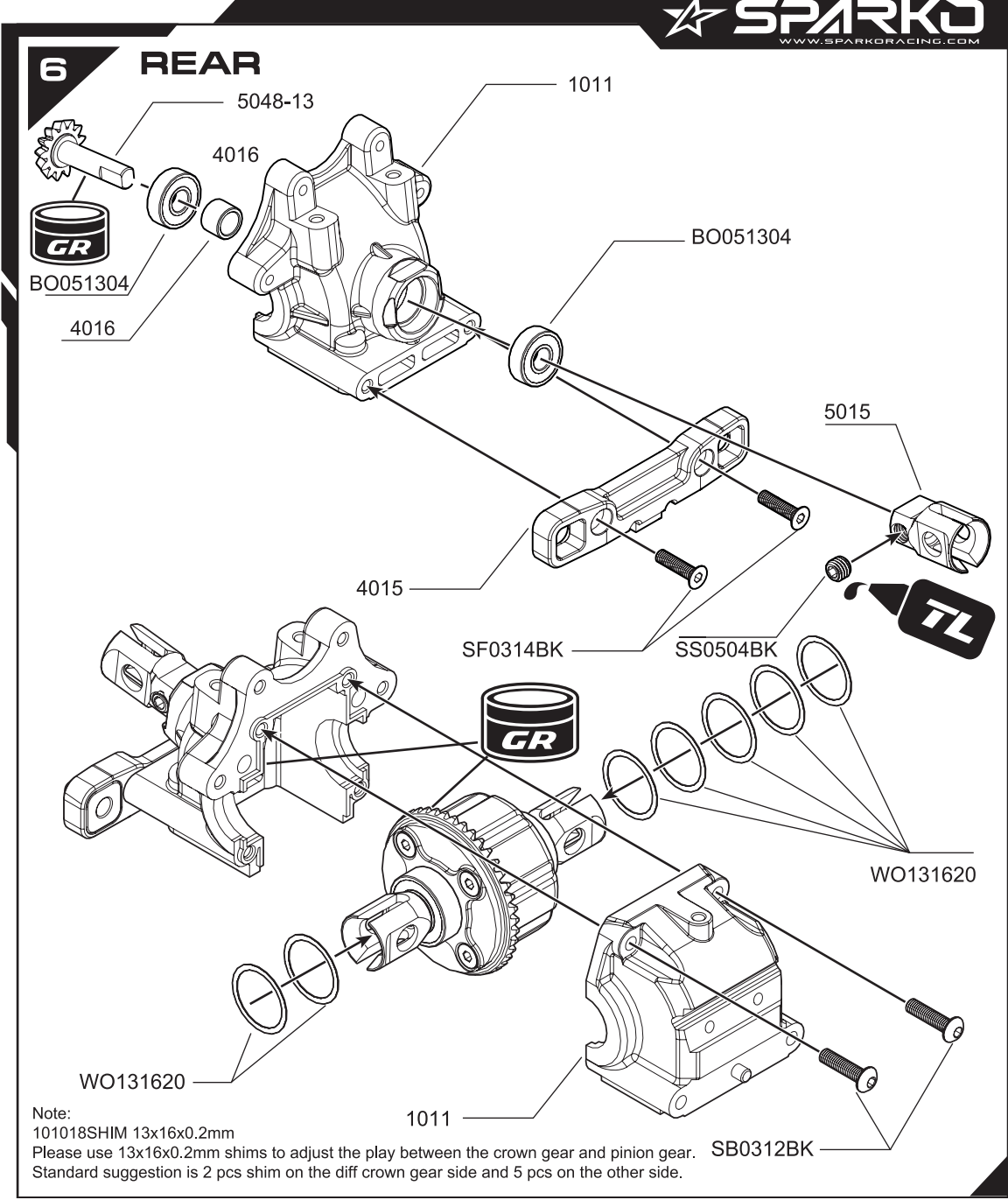


SB0312BK  
Ball Screw M3x12mm x 2



Note:  
Please use WO131620 13x16x0.2mm shims to adjust the space between the crown gear and pinion gear.  
Standard suggestion is 2 pcs shim on the diff crown gear side and 5 pcs on the other side.

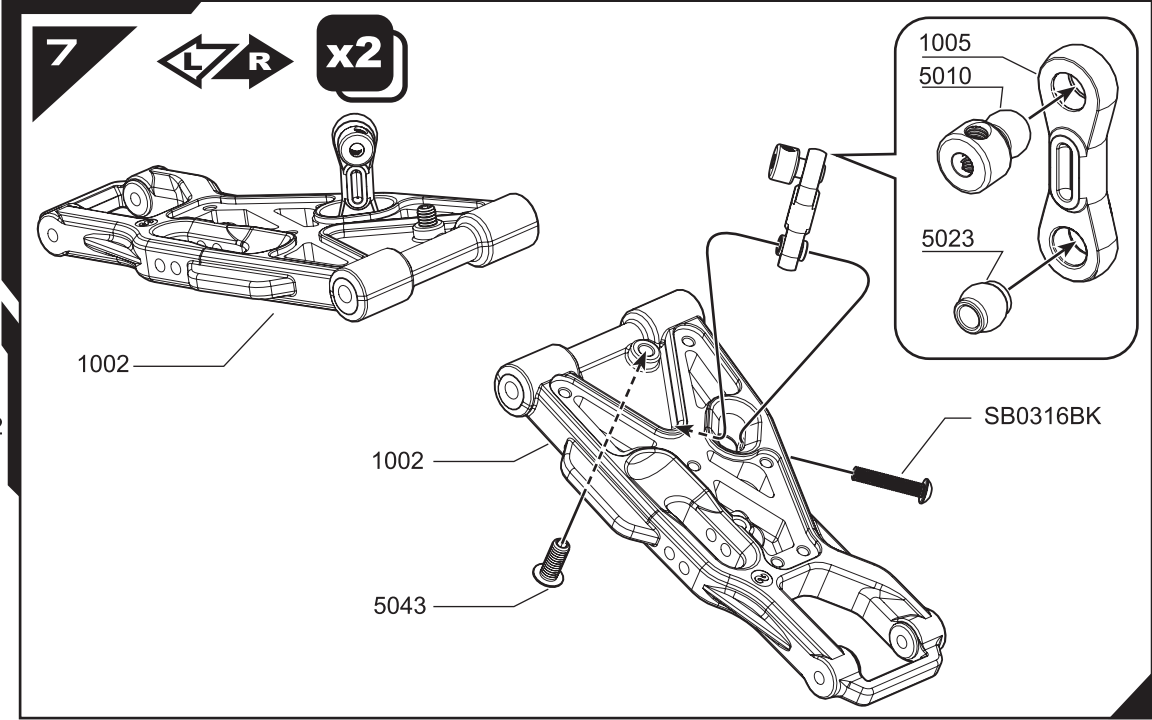
**BAG D**

-  SS0504BK  
Set Screw M5x4mm x 1
-  SF0314BK  
Flat Screw M3x14mm x 2
-  BO051304  
Ball Bearing 5x13x4mm x 2
-  WO131620  
Differential Shim  
13x16x0.2mm x 7
-  4016  
Pinion Gear Stopper  
5x7x5.1mm x 1
-  SB0312BK  
Ball Screw M3x12mm x 2



**BAG E**

-  SB0316BK  
Ball Screw M3x16mm x 2
-  5043  
Down Stop Screw M4x10mm x 2

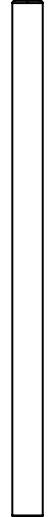




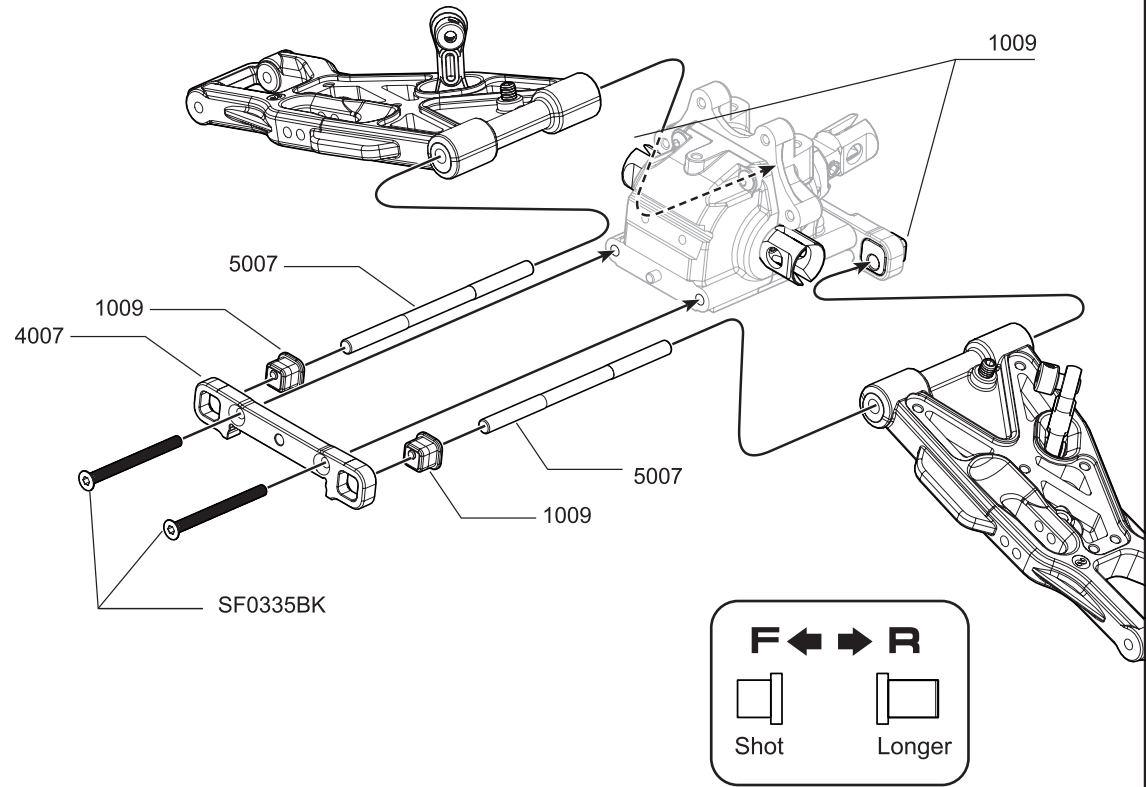
**BAG E**

**8**

SF0335BK  
Flat Screw  
M3x35mm x 2

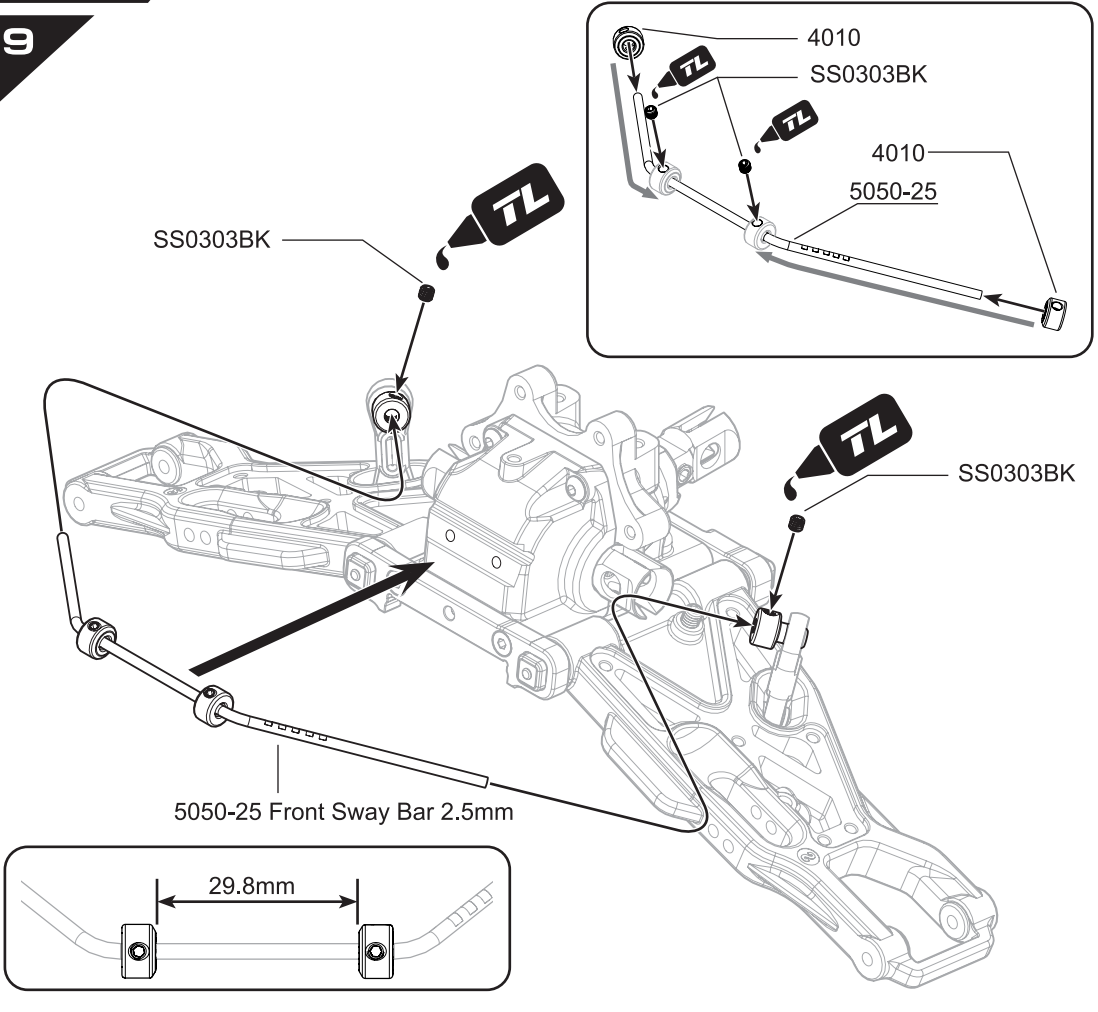


5007  
Lower Arm Hinge Pin  
(70mm) x 2



SS0303BK  
Set Screw M3x3mm x 4

**9**



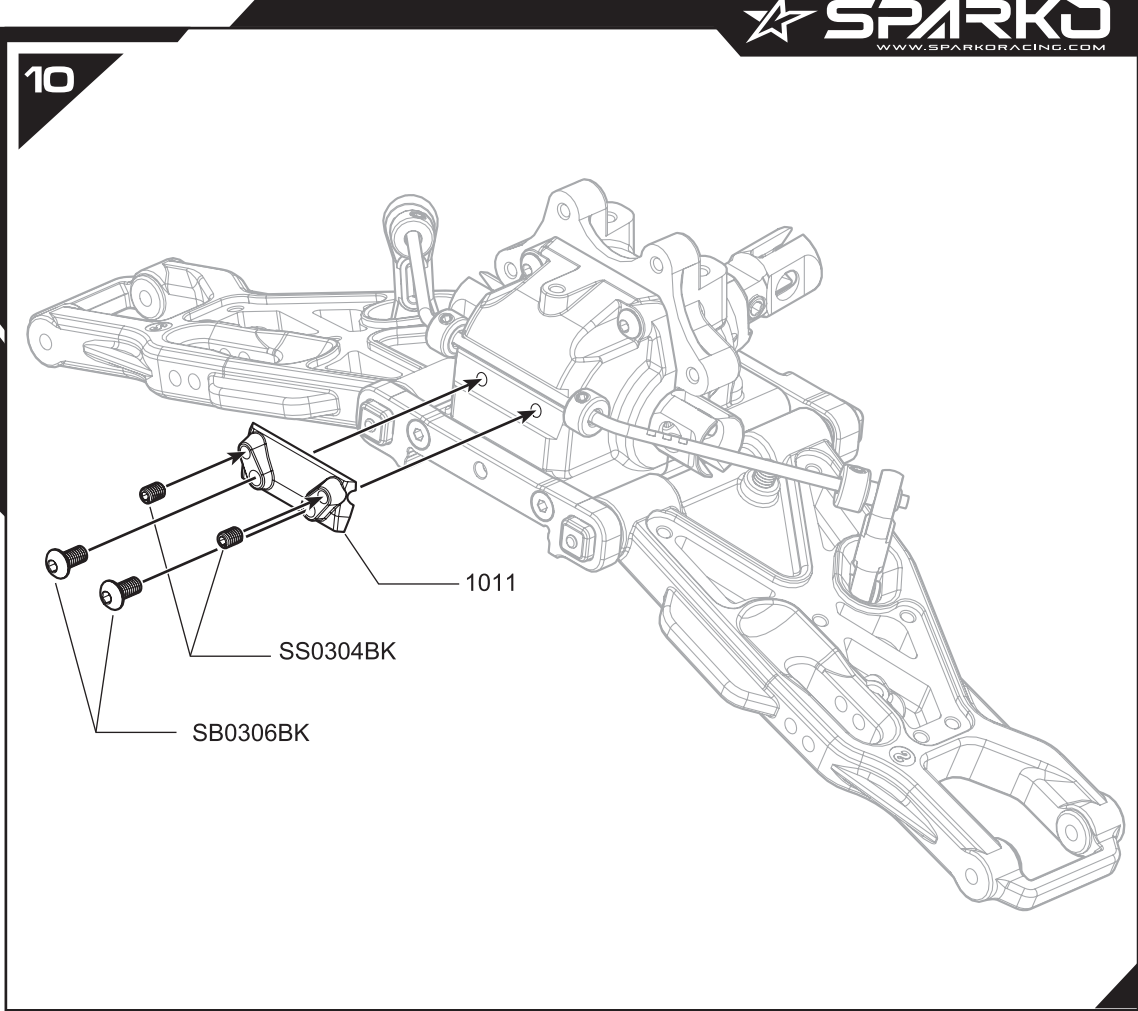
**BAG E**



SS0304BK  
Set Screw M3x4mm x 2



SB0306BK  
Ball Screw M3x6mm x 2



**BAG F**



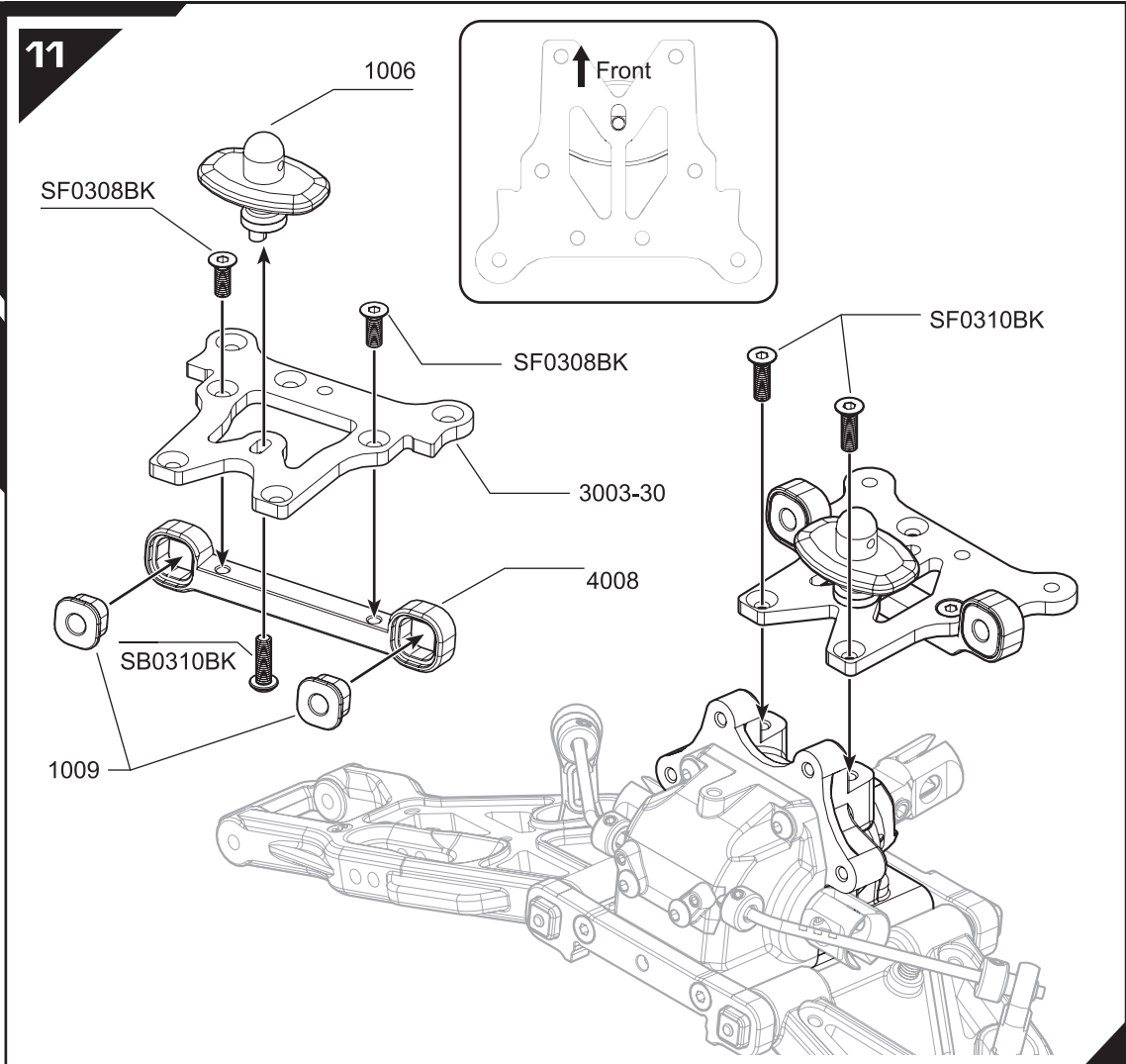
SB0310BK  
Ball Screw M3x10mm x1



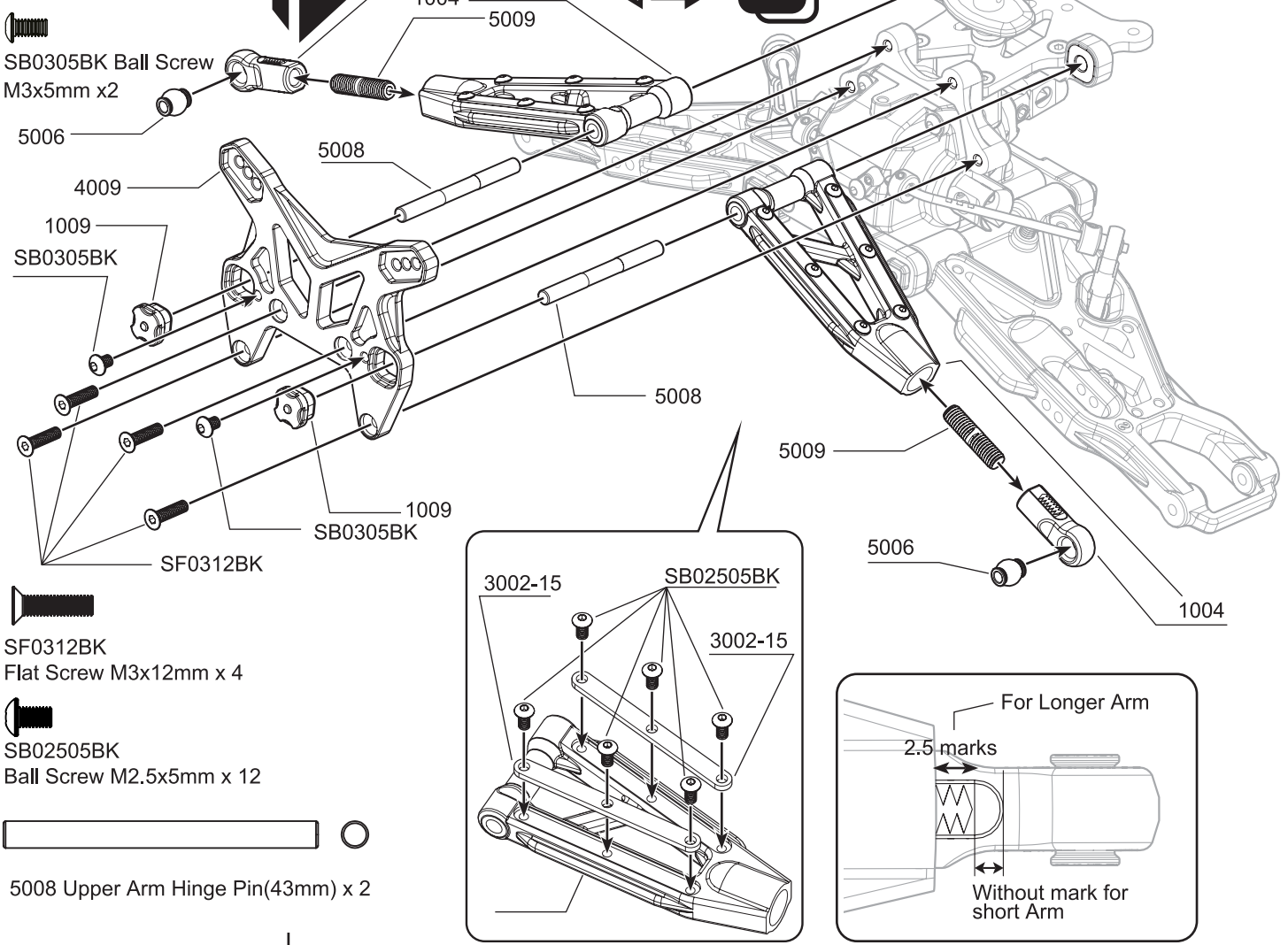
SF0310BK  
Flat Screw M3x10mm x2



SF0308BK  
Flat Screw M3x8mm x2



**BAG F**



**SB0305BK** Ball Screw  
M3x5mm x2

5006  
4009  
1009  
**SB0305BK**

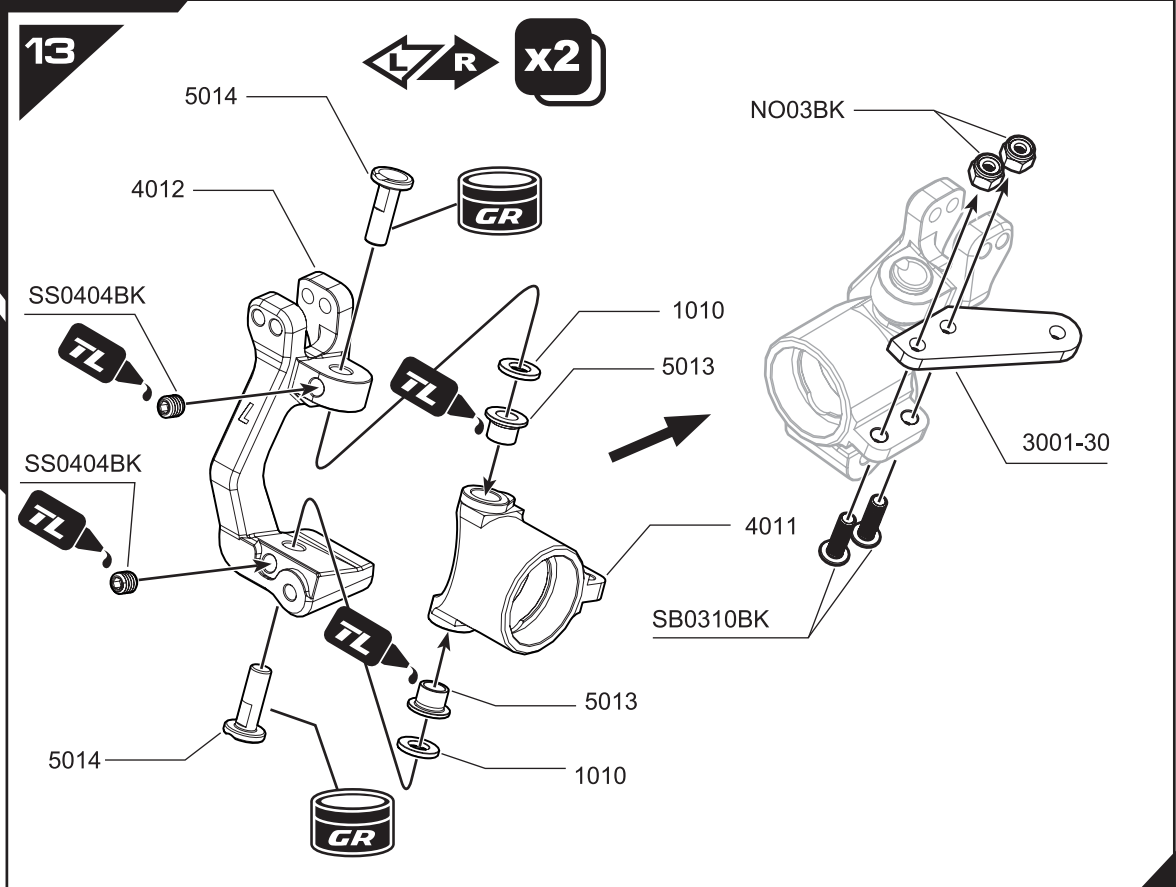
SF0312BK  
SB0305BK  
1009

**SF0312BK**  
Flat Screw M3x12mm x 4

**SB02505BK**  
Ball Screw M2.5x5mm x 12

5008 Upper Arm Hinge Pin(43mm) x 2

**BAG G**



5014  
Spindle Carrier Hinge  
Pins x 4

SS0404BK  
Set Screw M4x4mm Set x 4

**SB0310BK**  
Ball Screw M3x10mm x 4

NO03BK  
Nut Lock M3 x 4

**BAG G**

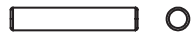
14  **x2**



BO081605  
Ball Bearing 8x16x5mm x 4



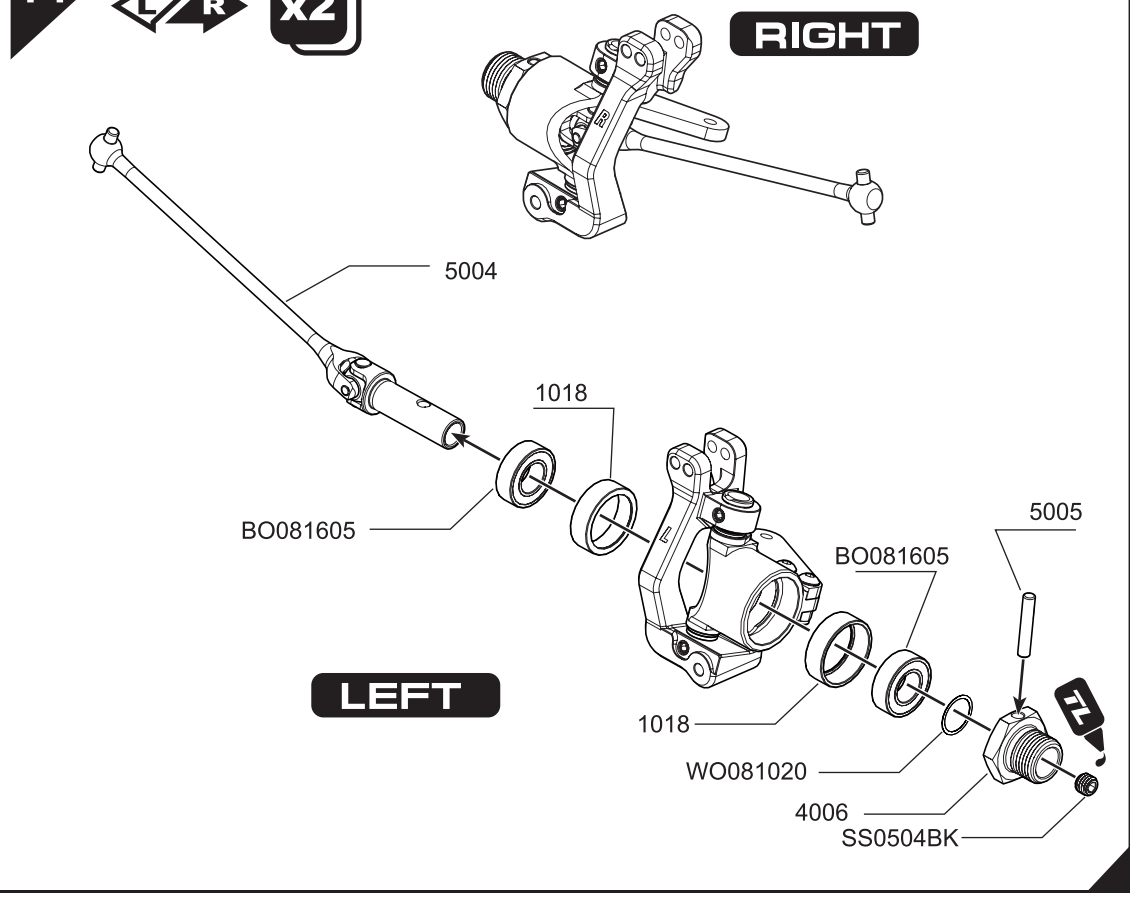
SS0504BK  
Set Screw M5x4mm x 2



5005  
Pin M3.0x16.8mm x 2



WO081020  
Hex Shim 8x10x0.2mm x 2



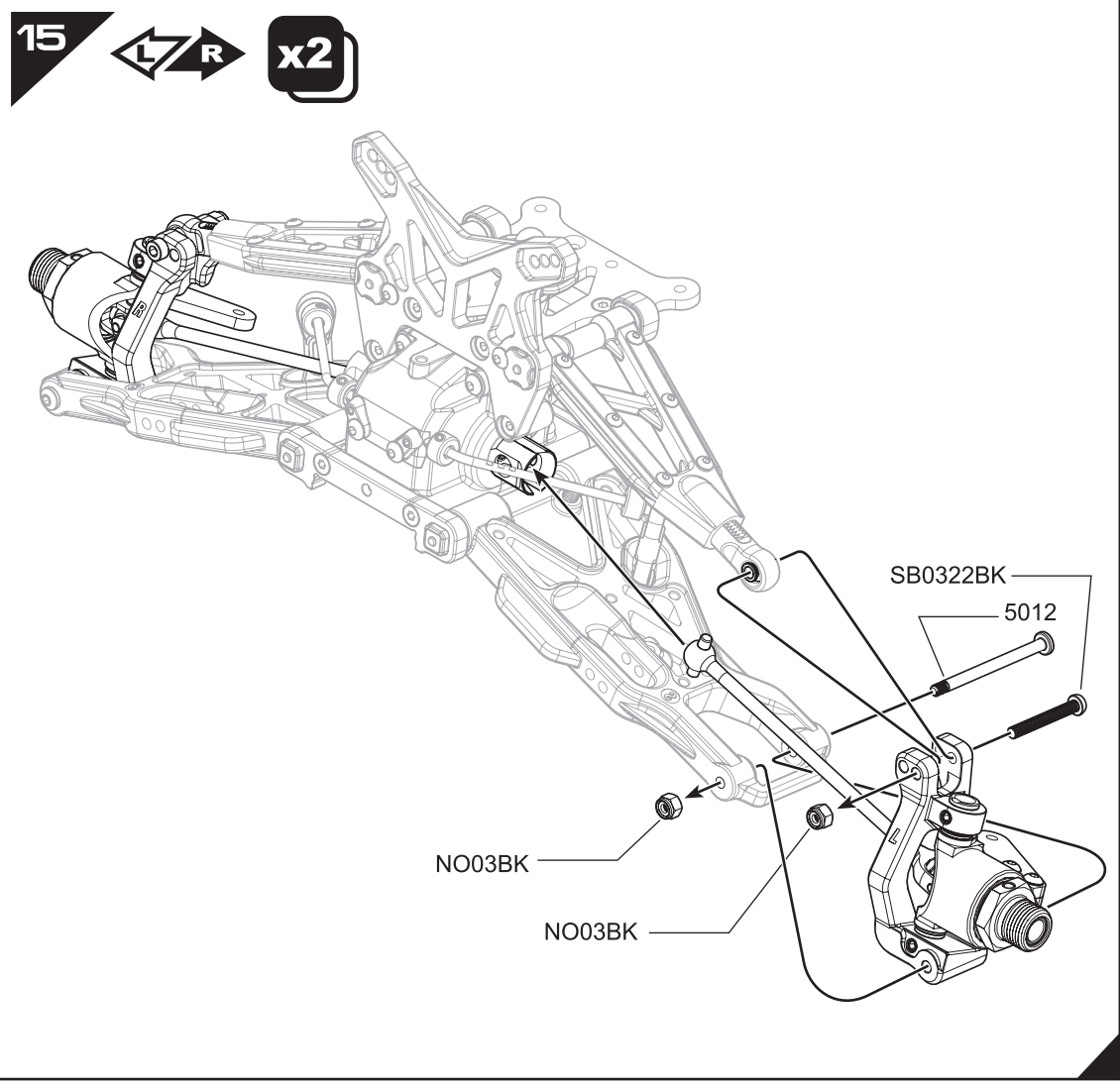
15  **x2**



SB0322BK  
Ball Screw M3x22mm x 2



NO03BK  
Nut Lock M3 x 4



**BAG H**



NO03BK Nut Lock M3 x 2



WO030801 Shim 3x8x1mm x 4



WO030510 Shim 3x5x0.1mm x 4



BF030625 Flange Ball Bearing 3x6x2.5mm x 4



5042 Hex Shanked Button M3x13.7mm x2



BO061003 Ball Bearing 6x10x3mm x 2



SC0206BK Cap Screw M2x6mm x 1



SB0310BK Ball Screw M3x10mm x 2

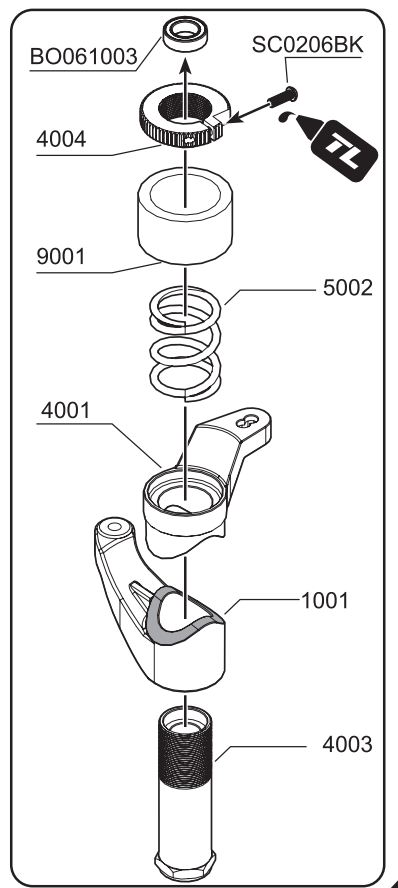
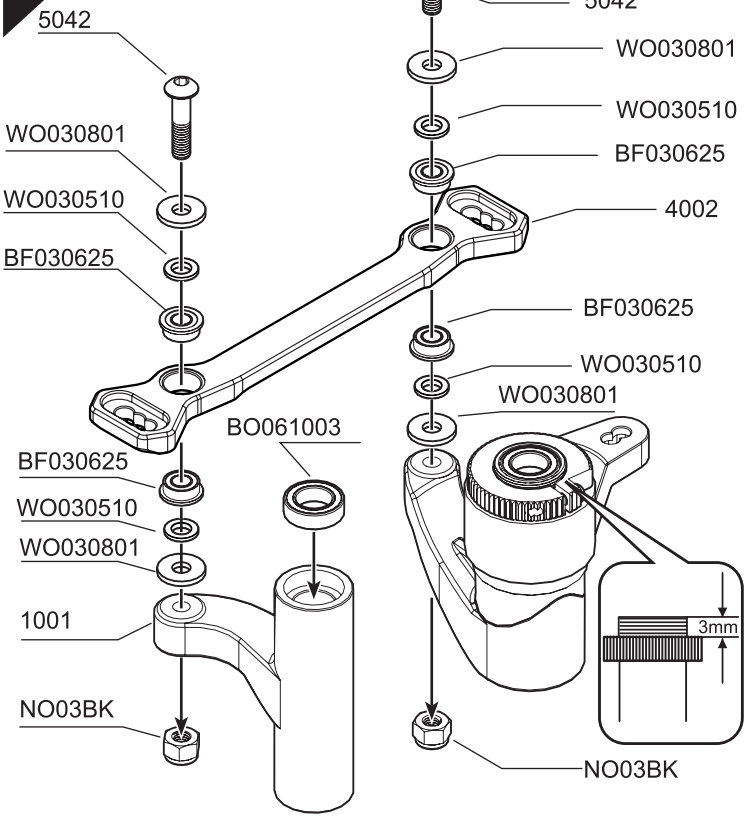


BO061003 Ball Bearing 6x10x3mm x 2

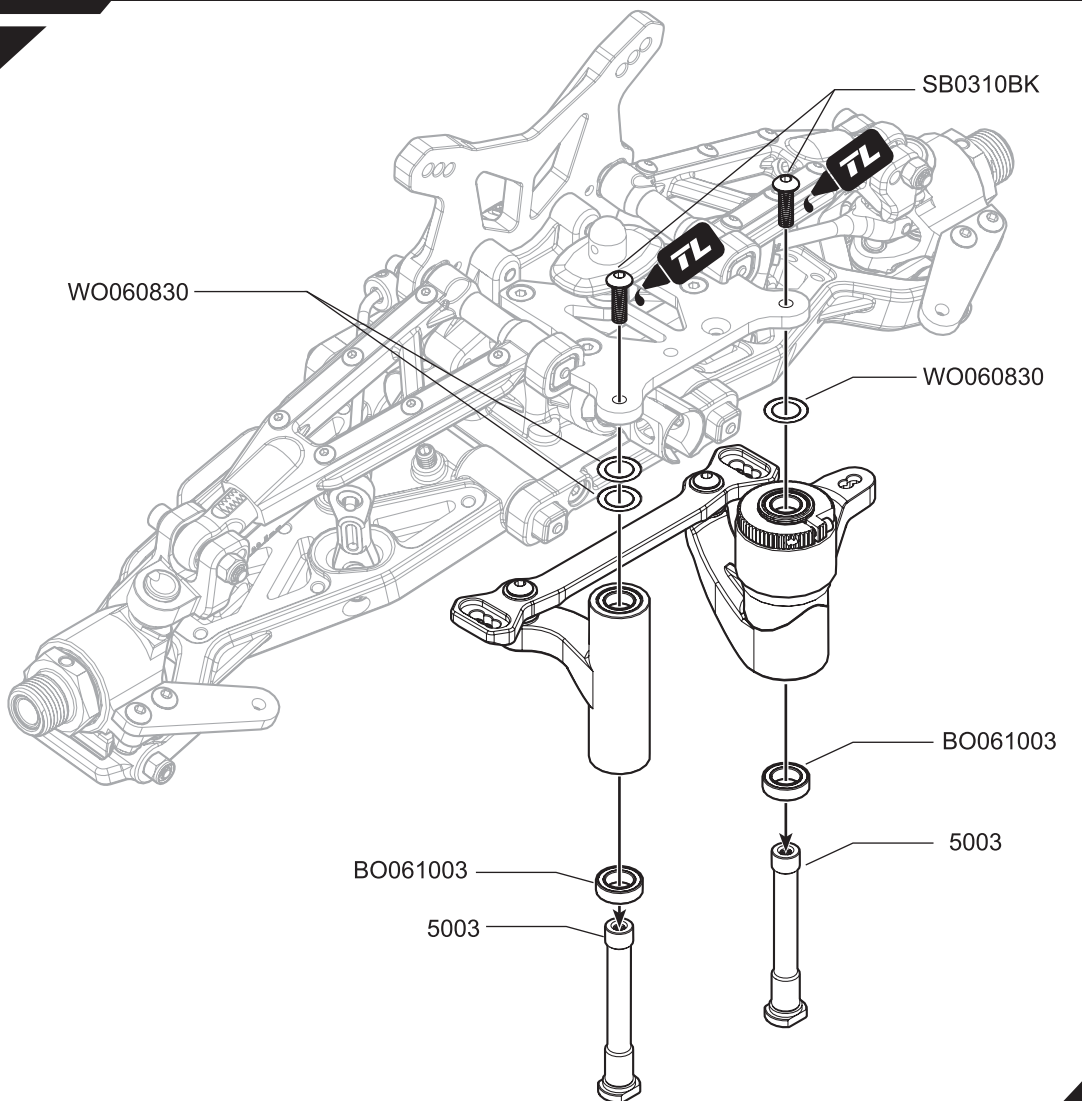


WO060830 Shim 6x8x0.3mm x 3

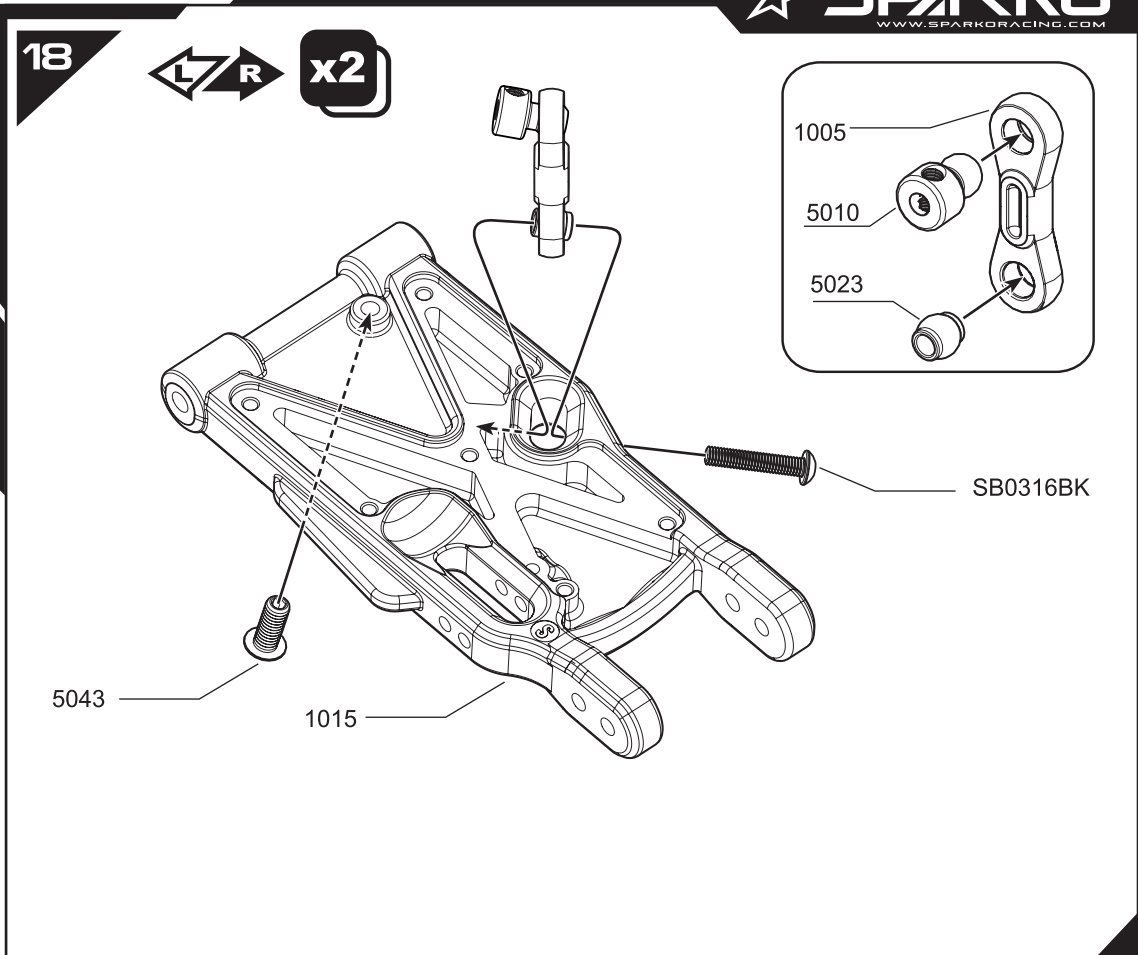
**16**



**17**



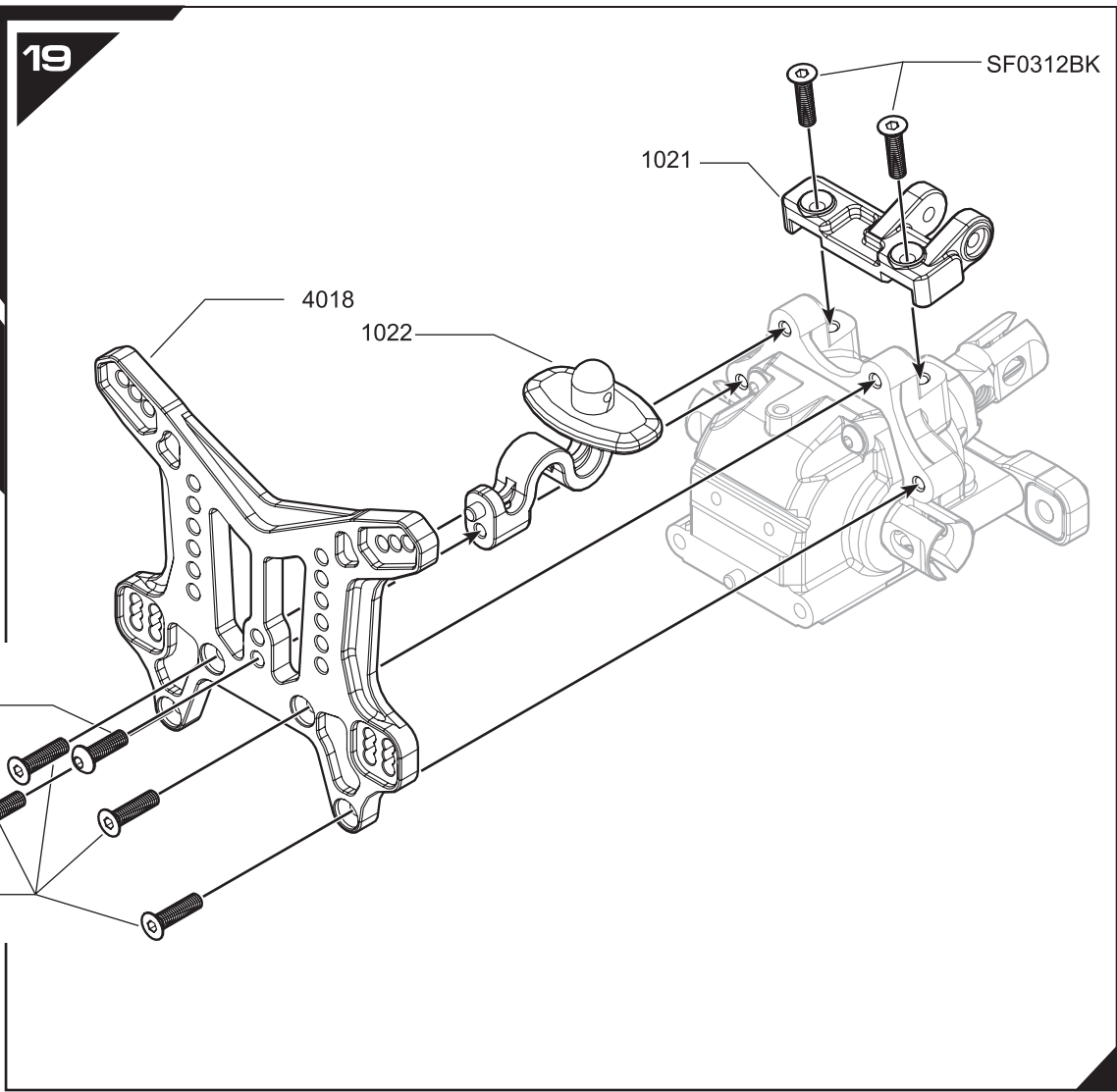
**BAG I**



SB0316BK  
Ball Screw M3x16mm x 2



5043  
Down Stop Screw  
M4x10mm x 2



SB0310BK  
Ball Screw M3x10mm x 1



SF0312BK  
Flat Screw M3x12mm x 6

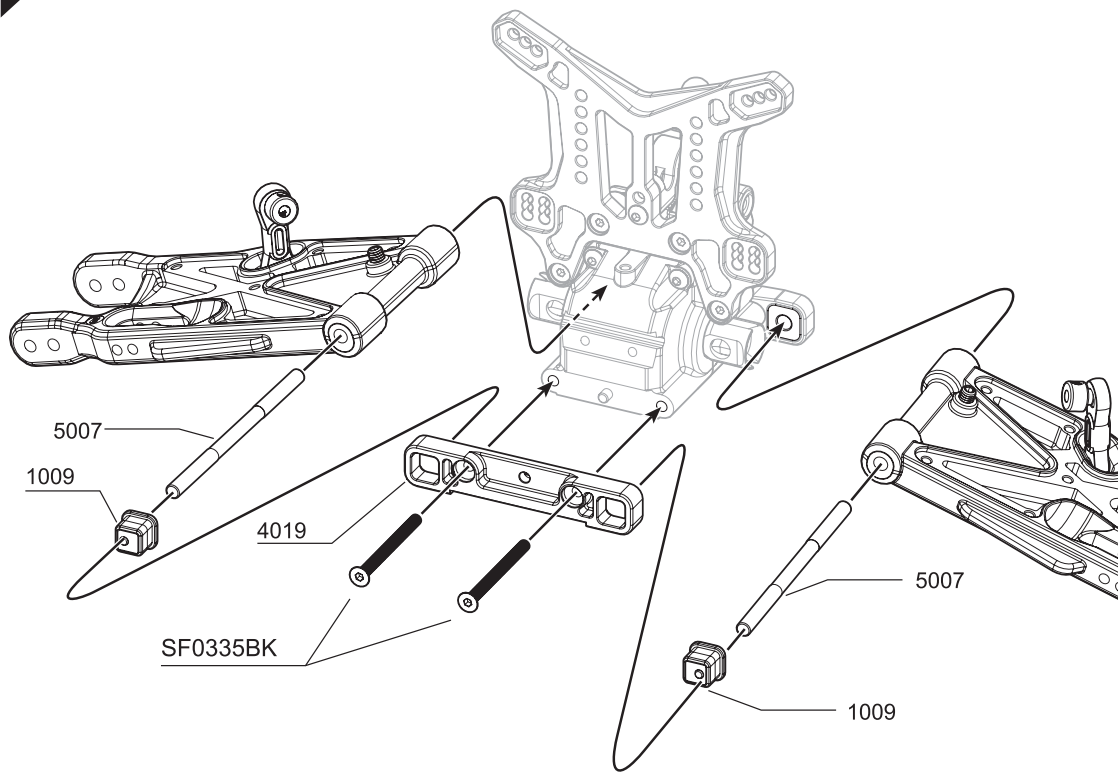
**BAG 1**

20

SF0335BK  
Flat Screw M3x35mm x 2

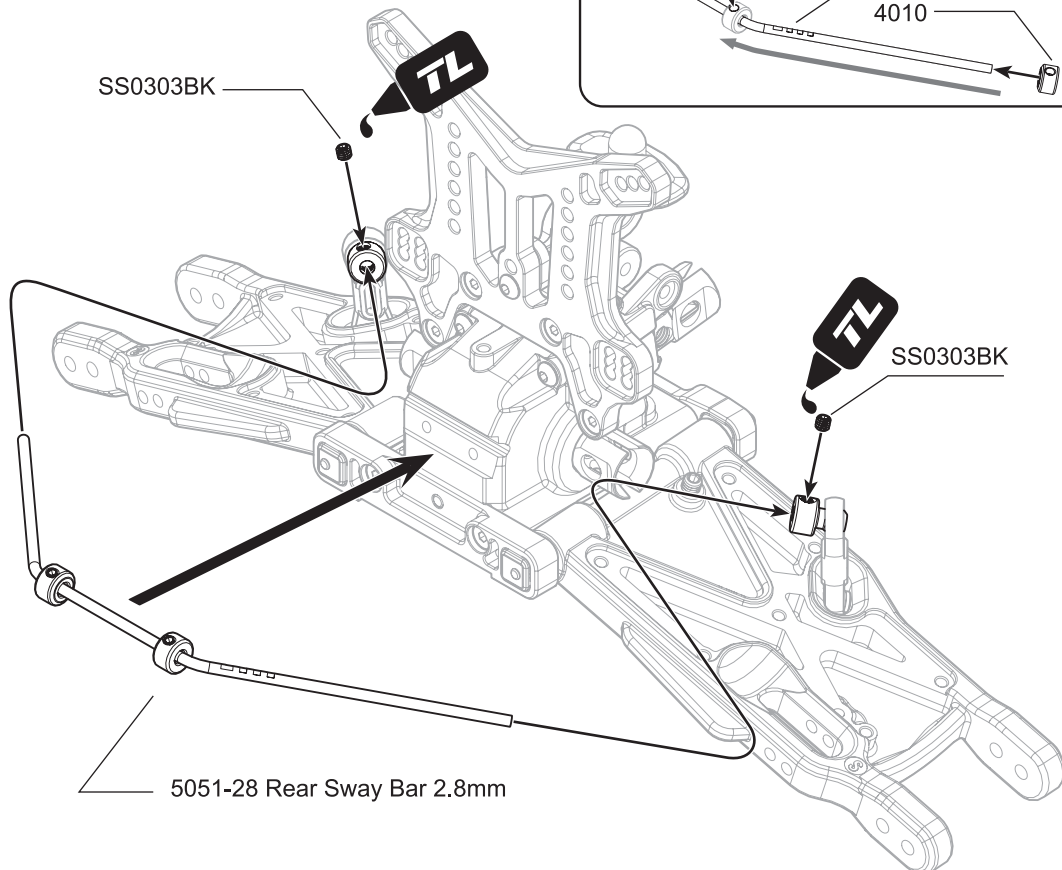
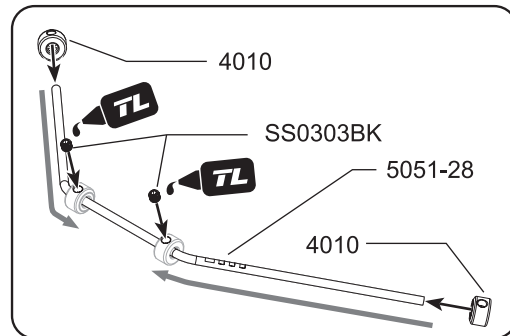
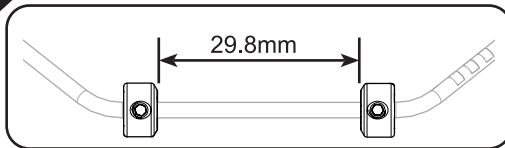


5007  
Lower Arm Hinge Pin x 2



SS0303BK  
Set Screw M3x3mm x 4

21



**BAG I**

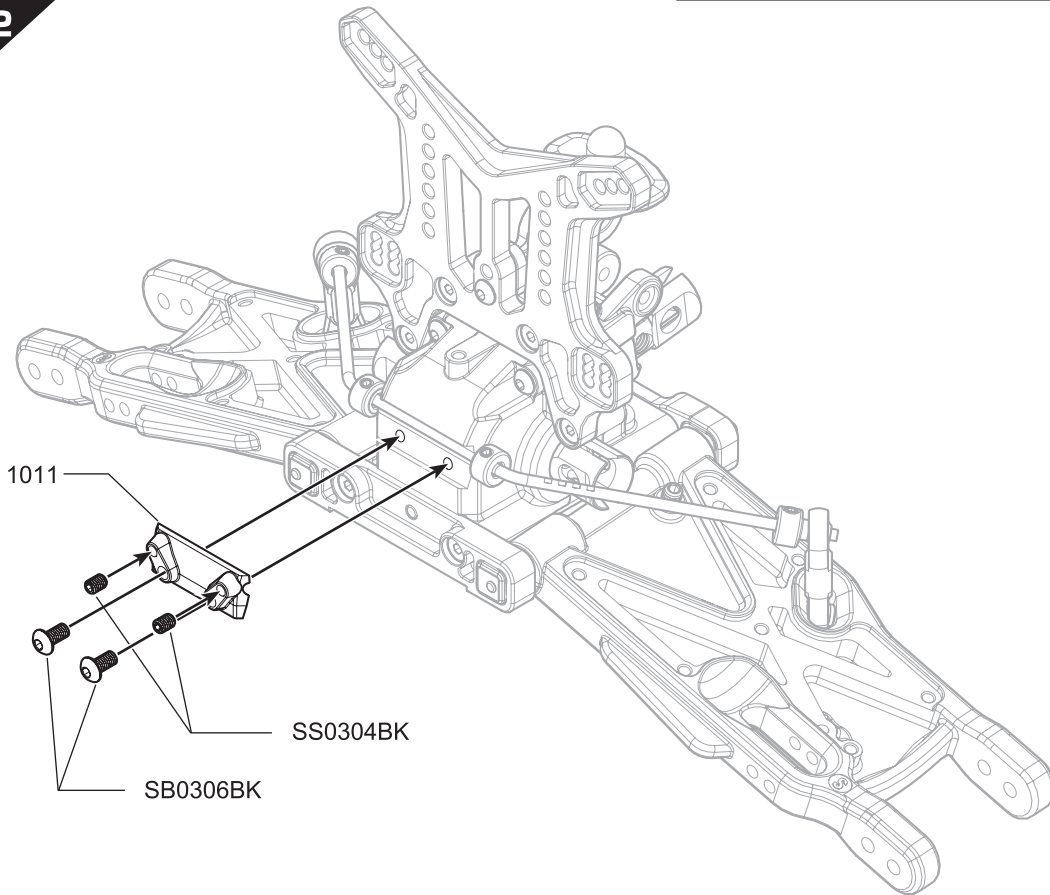


SS0304BK  
Set Screw M3x4mm x 2



SB0306BK  
Ball Screw M3x6mm x 2

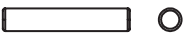
22



**BAG J**



SS0504BK  
Set Screw M5x4mm x 2



5005  
Pin M3.0x16.8mm x 2



BO081605  
Ball Bearing 8x16x5mm x 4



SB0322BK  
Ball Screw M3x22mm x 4

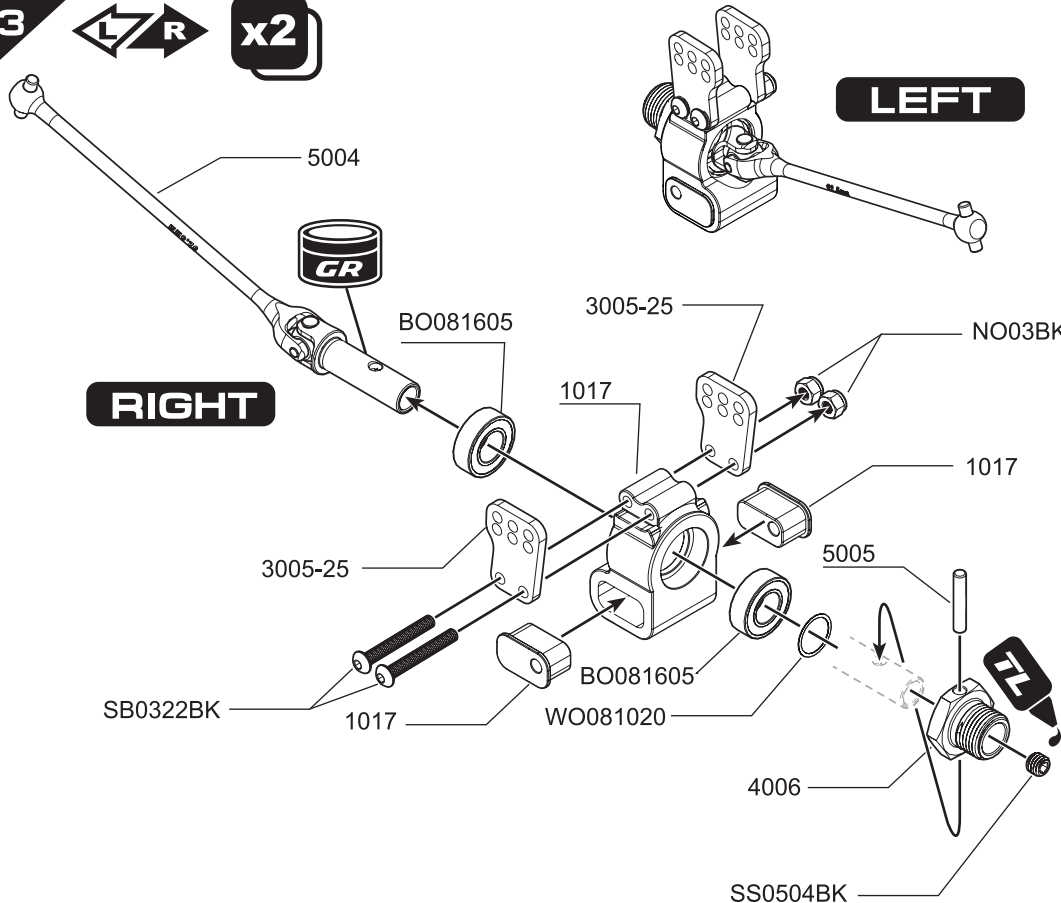


NO03BK  
Nut Lock M3 x 4



WO081020  
Hex Shim 8x10x0.2mm x 2

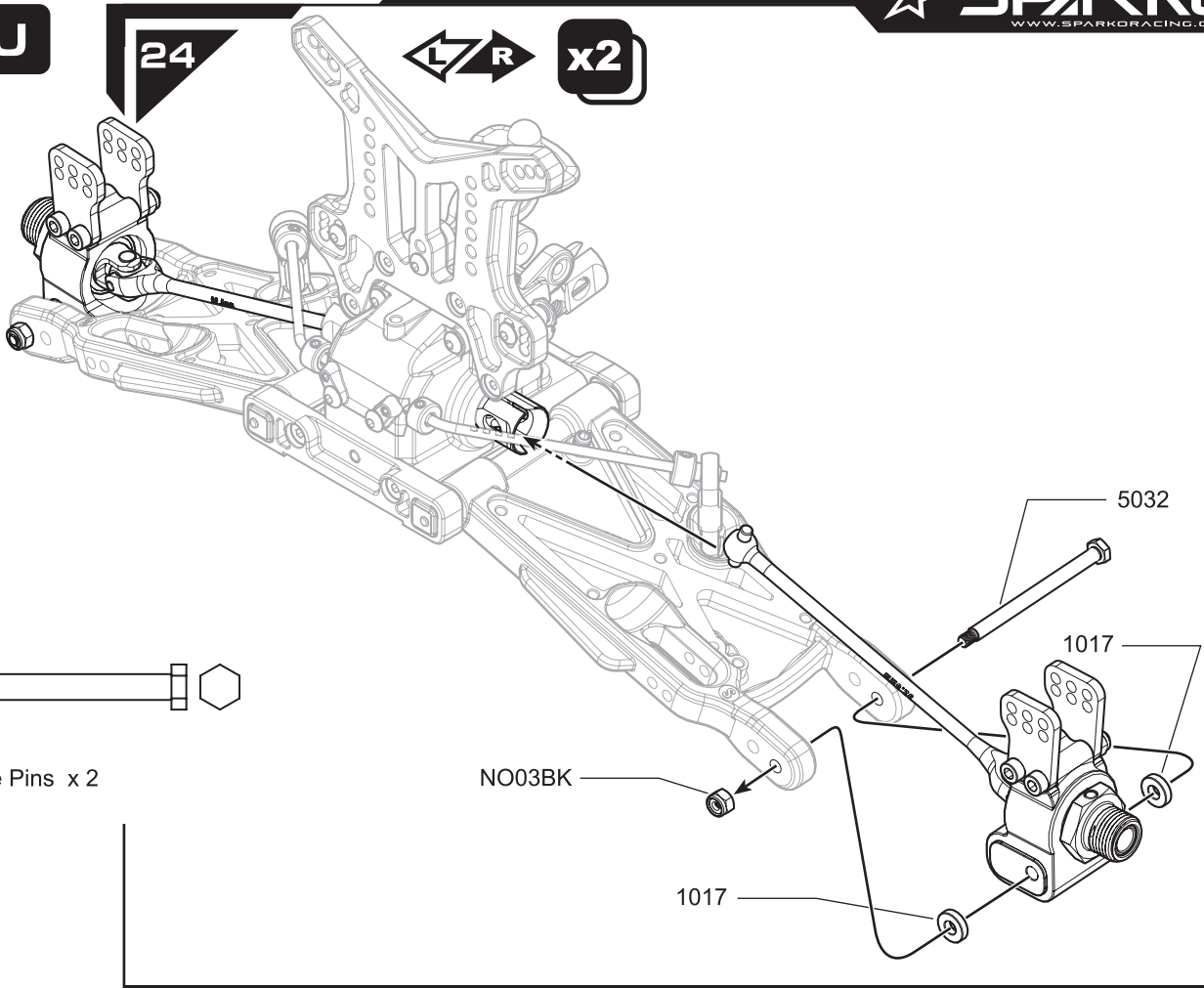
23



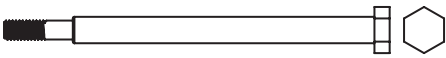


**BAG J**

**24** **L/R** **x2**

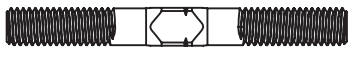


NO03BK  
Nut Lock M3 x 2



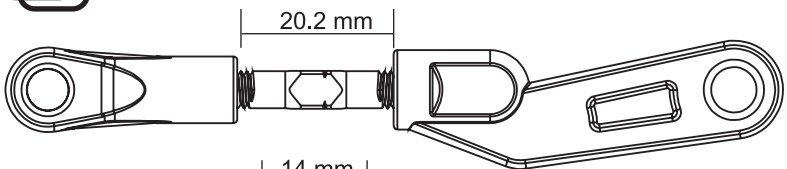
5032  
Rear Outer Hinge Pins x 2

**25** **L/R** **x2** **RIGHT**

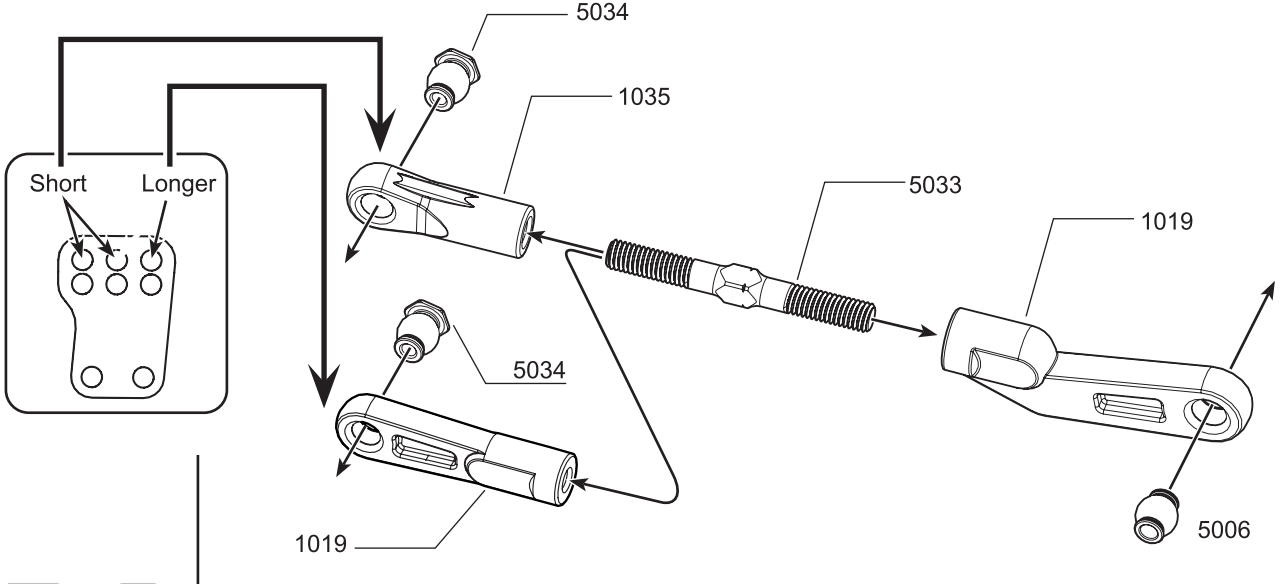
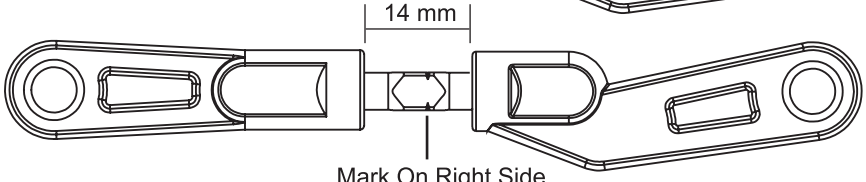


5033  
Camber Turnbuckle  
5x45mm x 2

**1:1**



**1:1**



**BAG J**



SC0310BK  
Cap Screw M3x8mm x 2



SB0322BK  
Ball Screw M3x22mm x 2

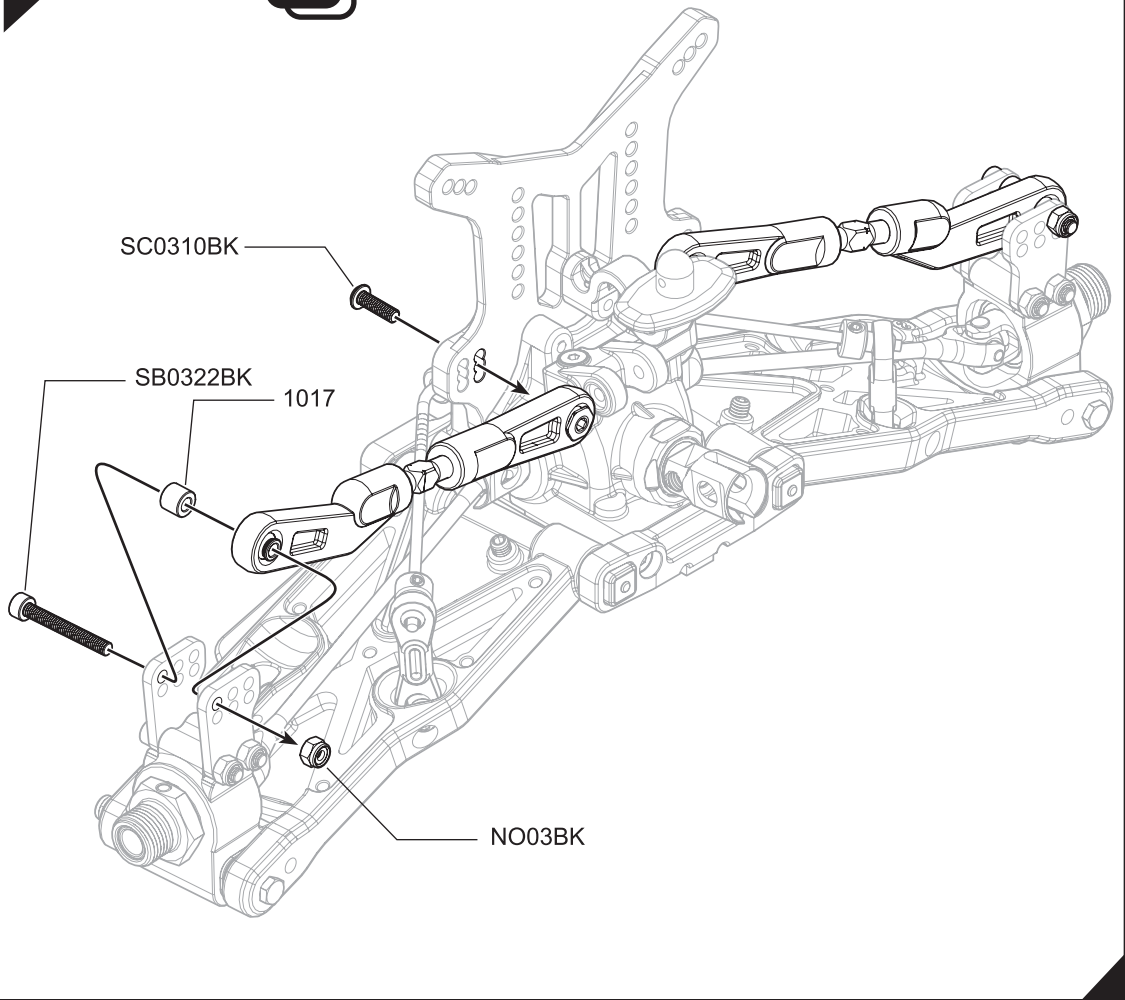


NO03BK  
Nut Lock M3 x 2

26



x2

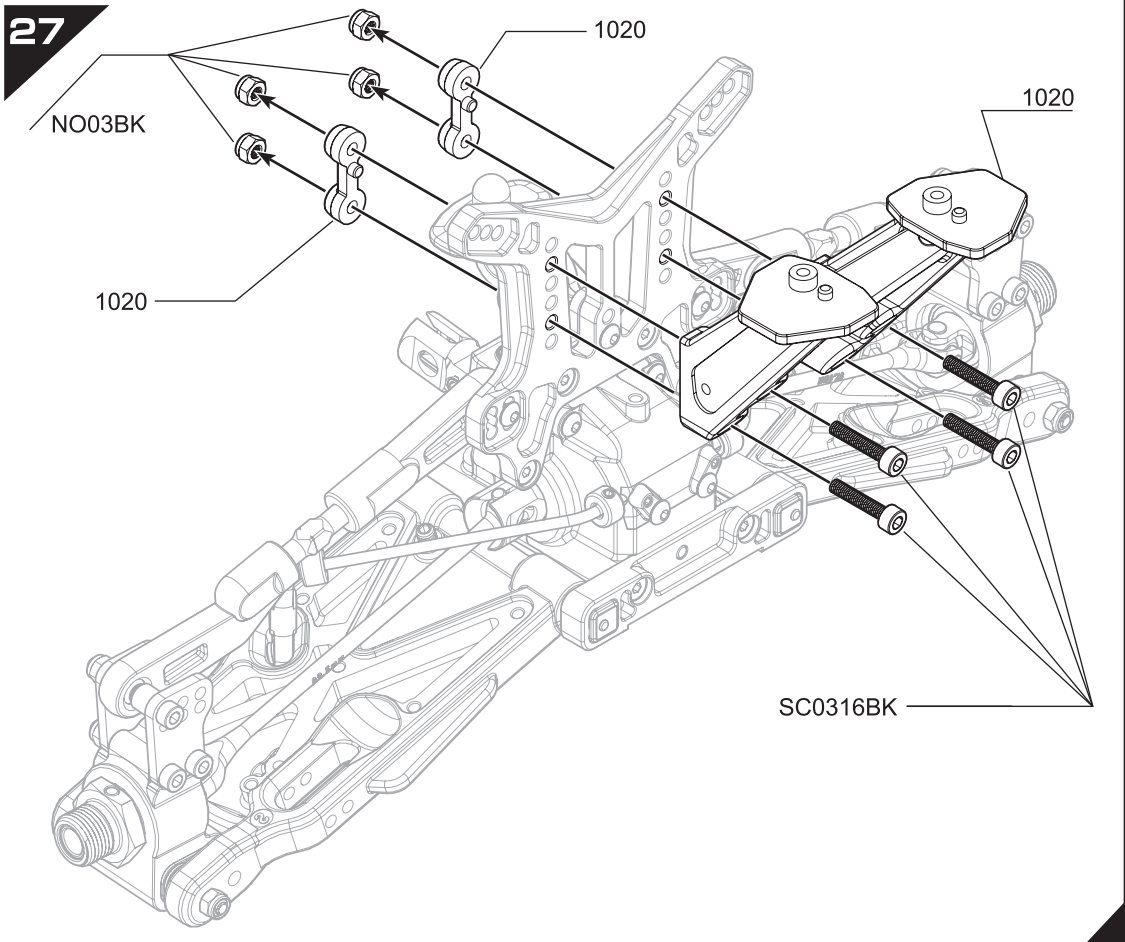


NO03BK  
Nut Lock M3 x4




SC0316BK  
Cap Screw M3x16mm x4


27



**BAG K**

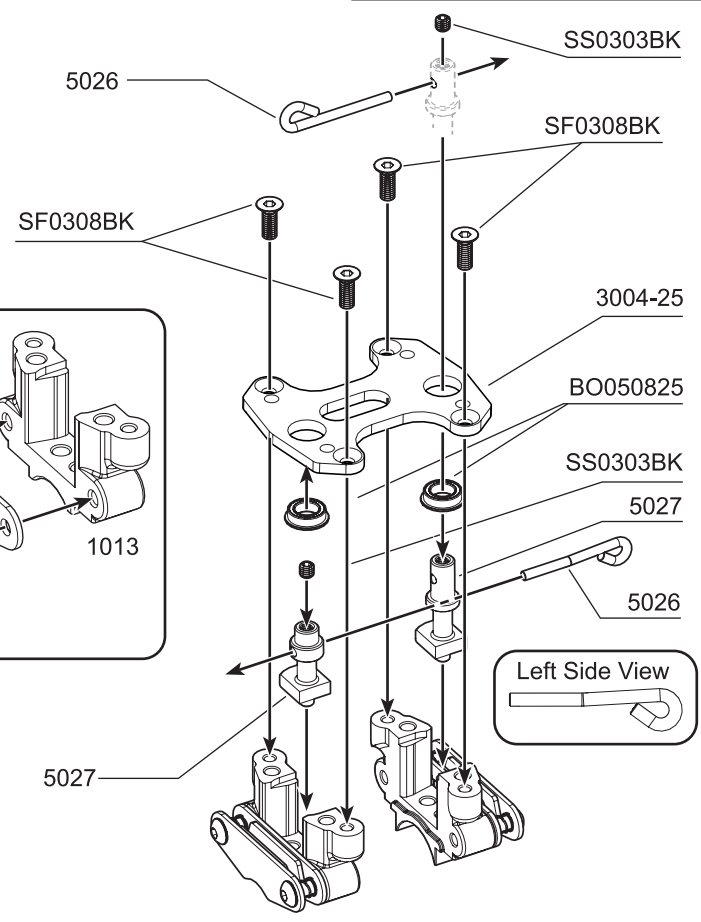
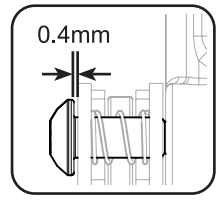
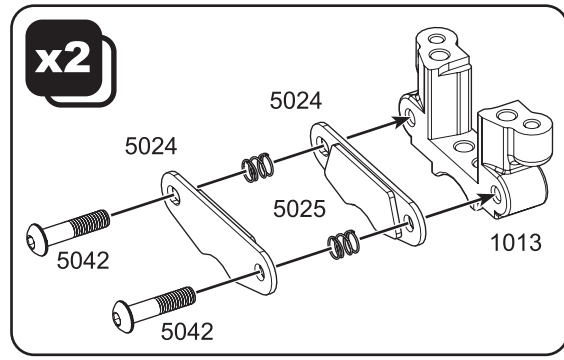
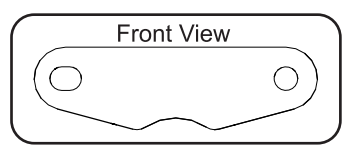
**28**

  
5042  
Hex Shanked Button  
M3x13.7mm x 4

  
SS0303BK  
Set Screw  
M3x3mm x 2

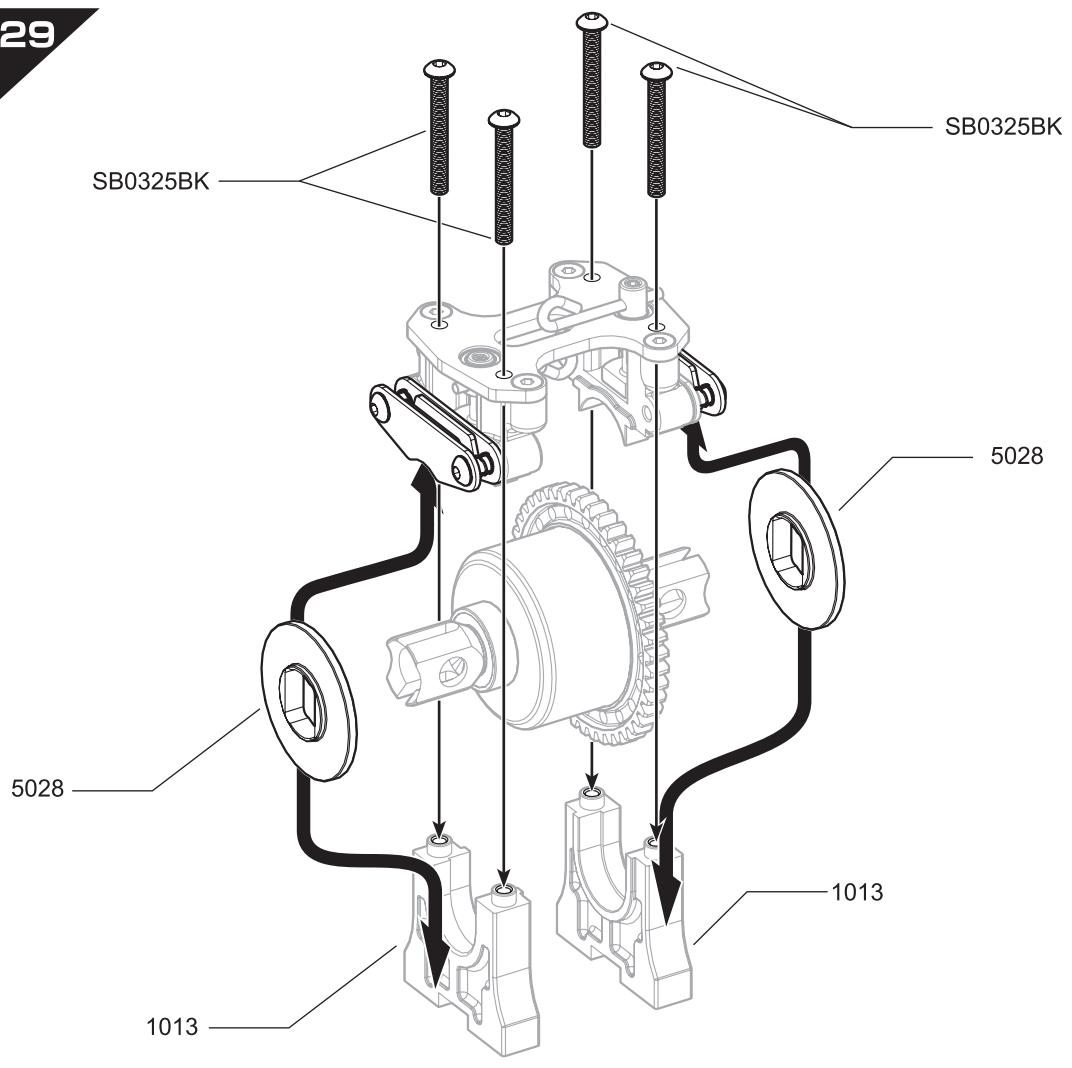
  
SF0308BK  
Flat Screw  
M3x8mm x 4

  
BO050825  
Ball Bearing  
5x8x2.5mm x 2

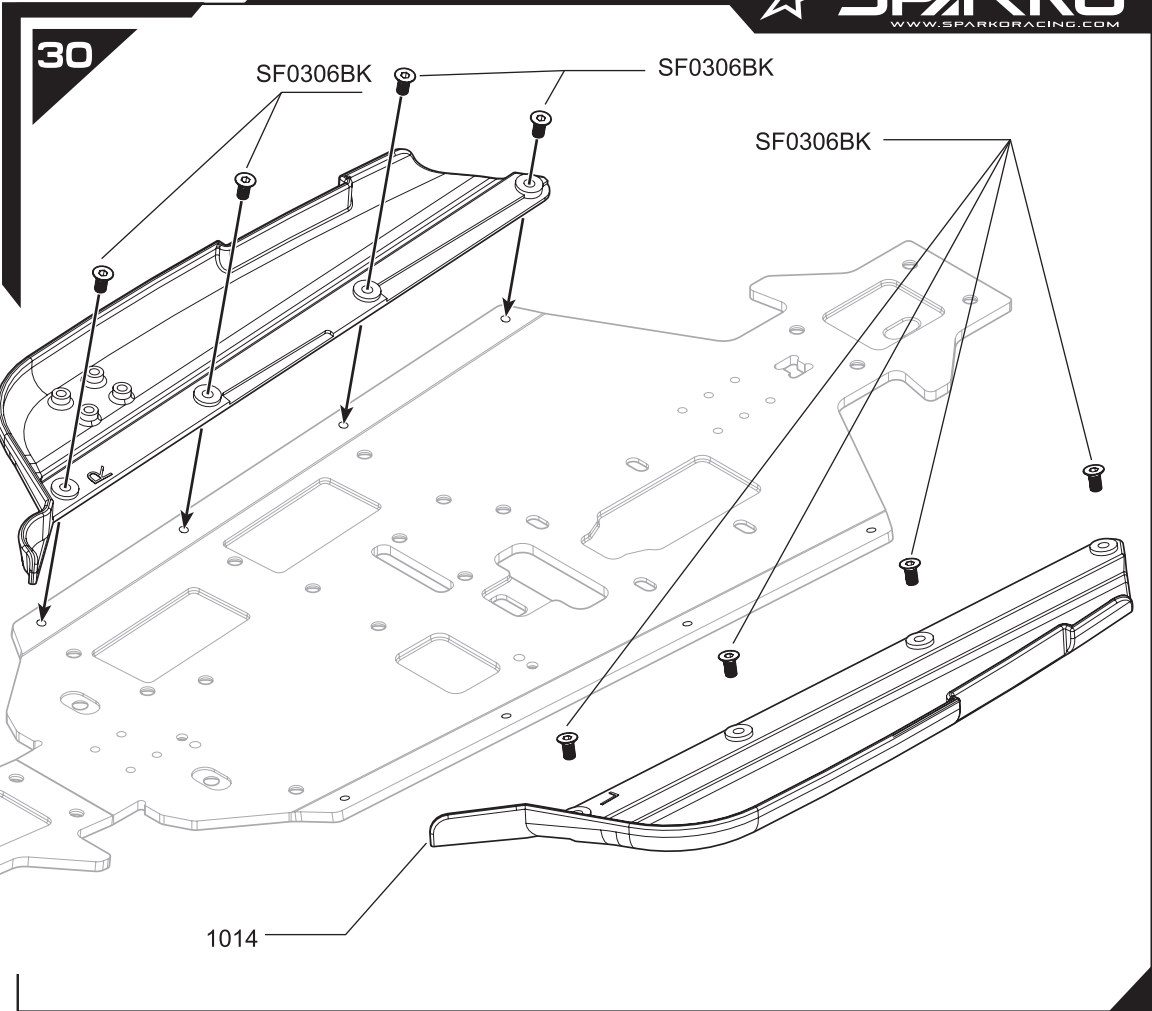


**29**

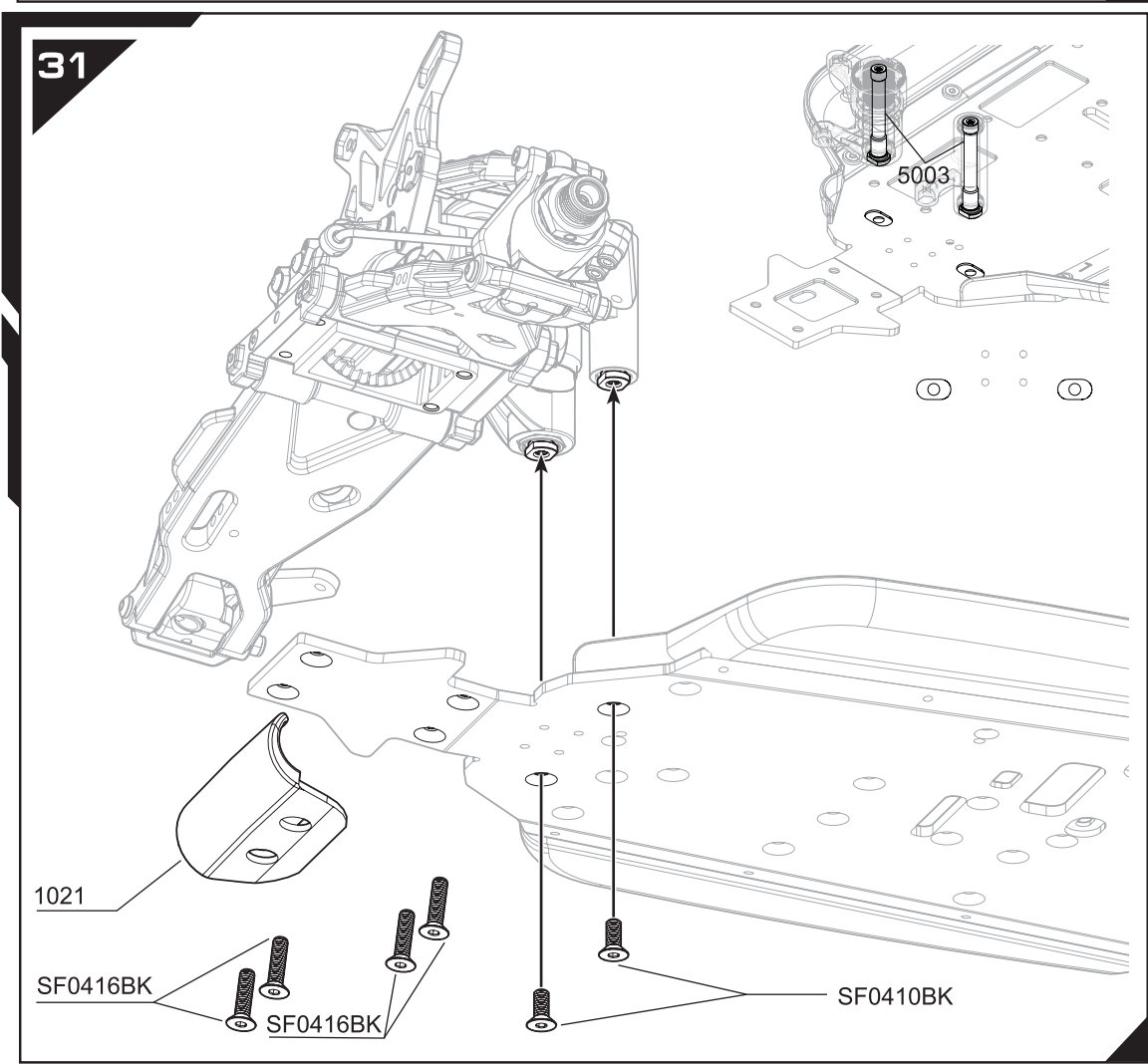
  
SB0325BK  
Ball Screw  
M3x25mm x 4



**BAG L**



SF0306BK  
Flat Screw M3x6mm x8



SF0410BK  
Flat Screw M4x10mm x2



SF0416BK  
Flat Screw M4x16mm x4

**BAG L**



SF0310BK  
Flat Screw  
M3x10mm x 1



SF0410BK  
Flat Screw  
M4x10mm x 4



SF0412BK  
Flat Screw  
M4x12mm x 1



NO04BK  
Nut Lock M4 x 1



SF0412BK  
Flat Screw  
M4x12mm x 1



NO04BK  
Nut Lock M4 x 1



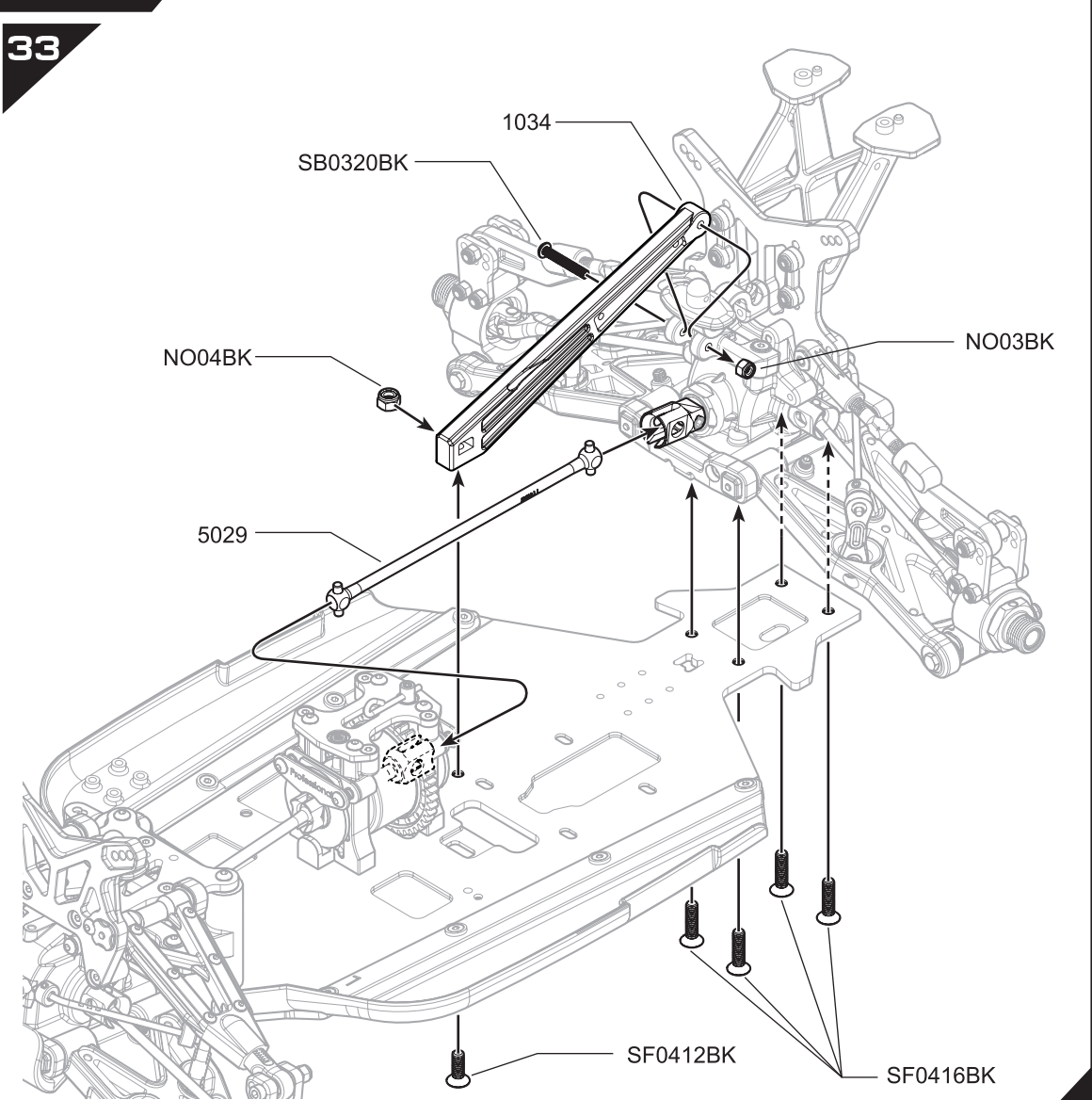
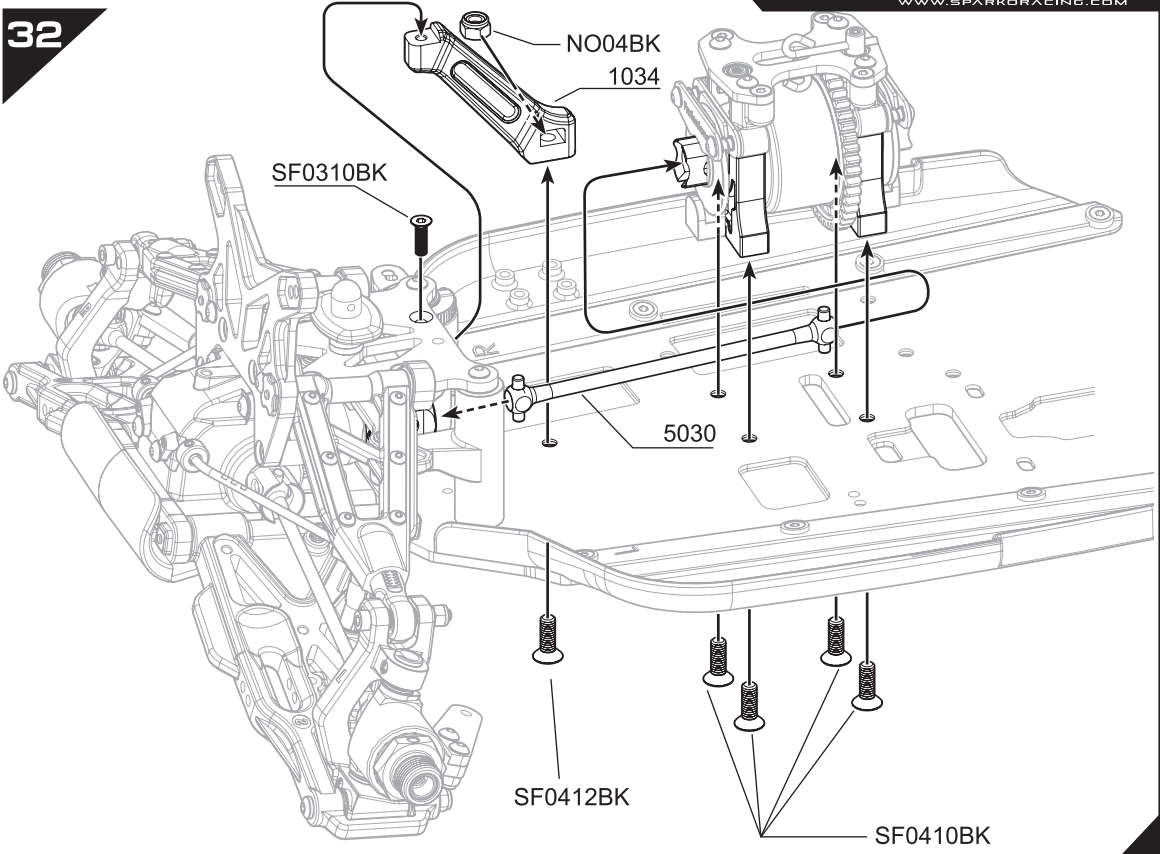
SF0416BK  
Flat Screw  
M4x16mm x 4



NO03BK  
Nut Lock M3 x 1



SB0320BK  
Ball Screw  
M3x20mm x 1

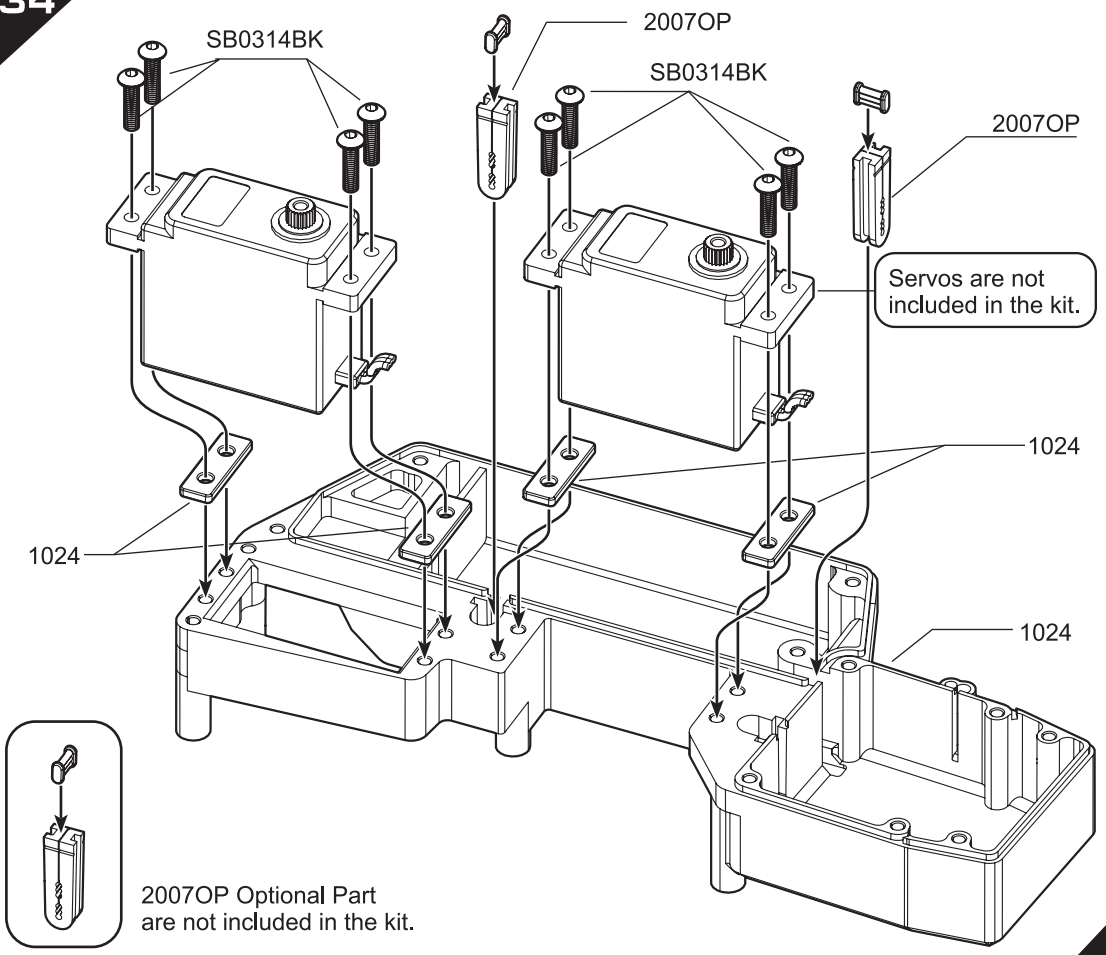


**BAG M**



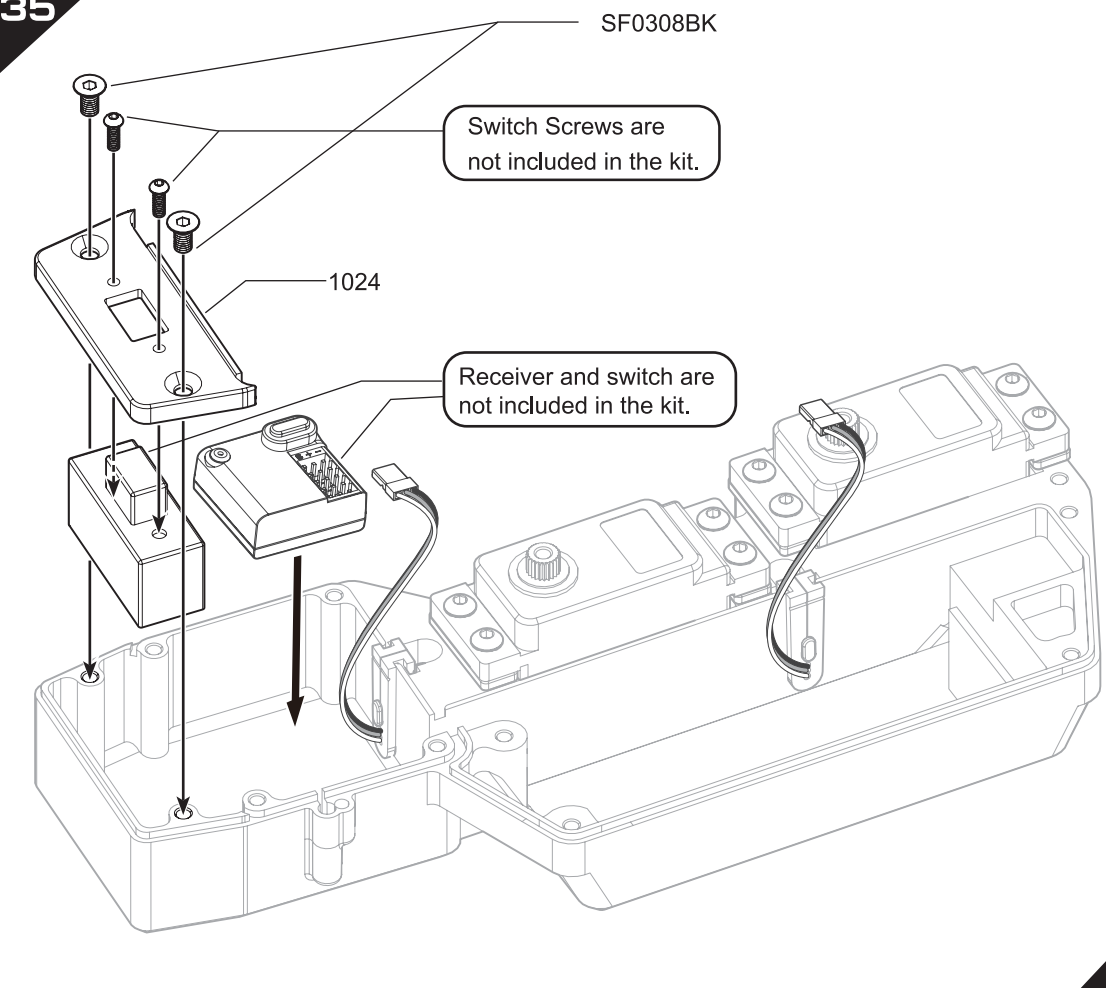
SB0314BK  
Ball Screw M3x14mm x8

**34**



SF0308BK  
Flat Screw M3x8mm x 2

**35**



**BAG M**

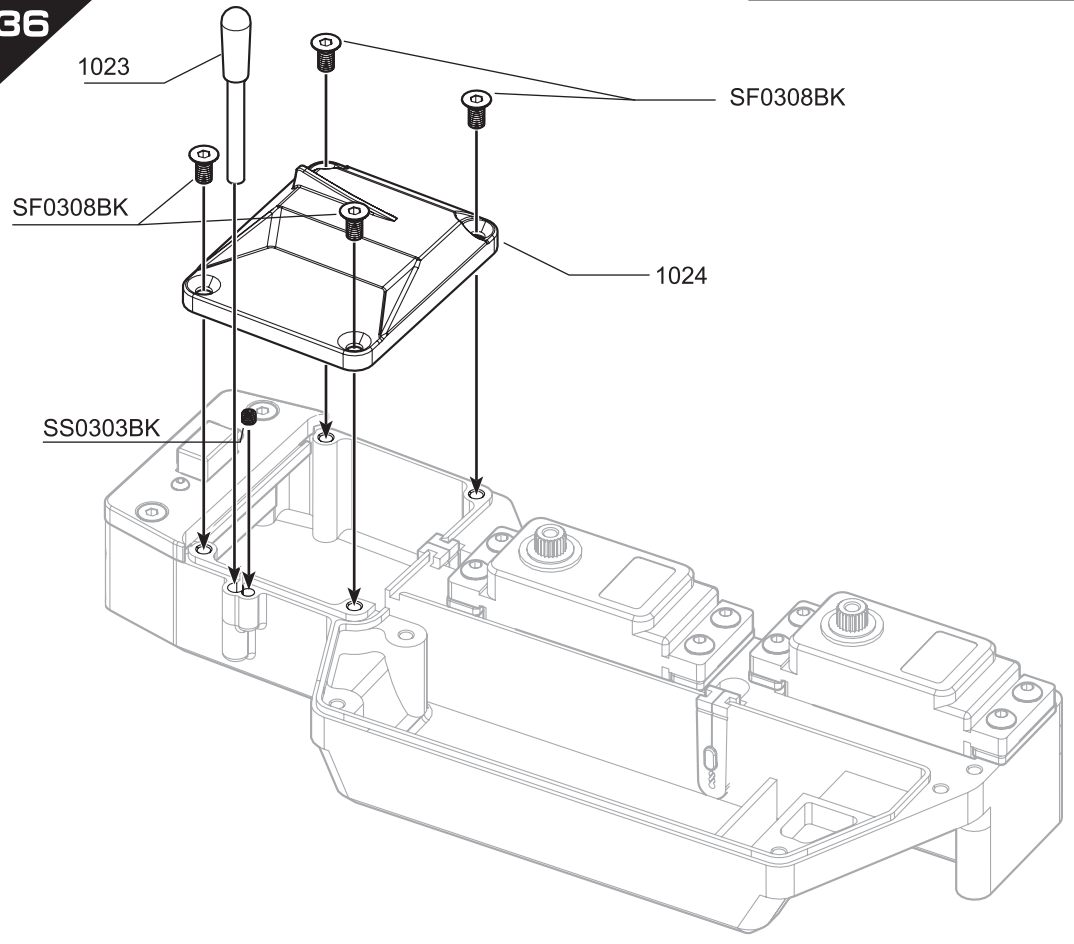


SF0308BK  
Flat Screw M3x8mm x 4



SS0303BK  
Set Screw M3x3mm x 1

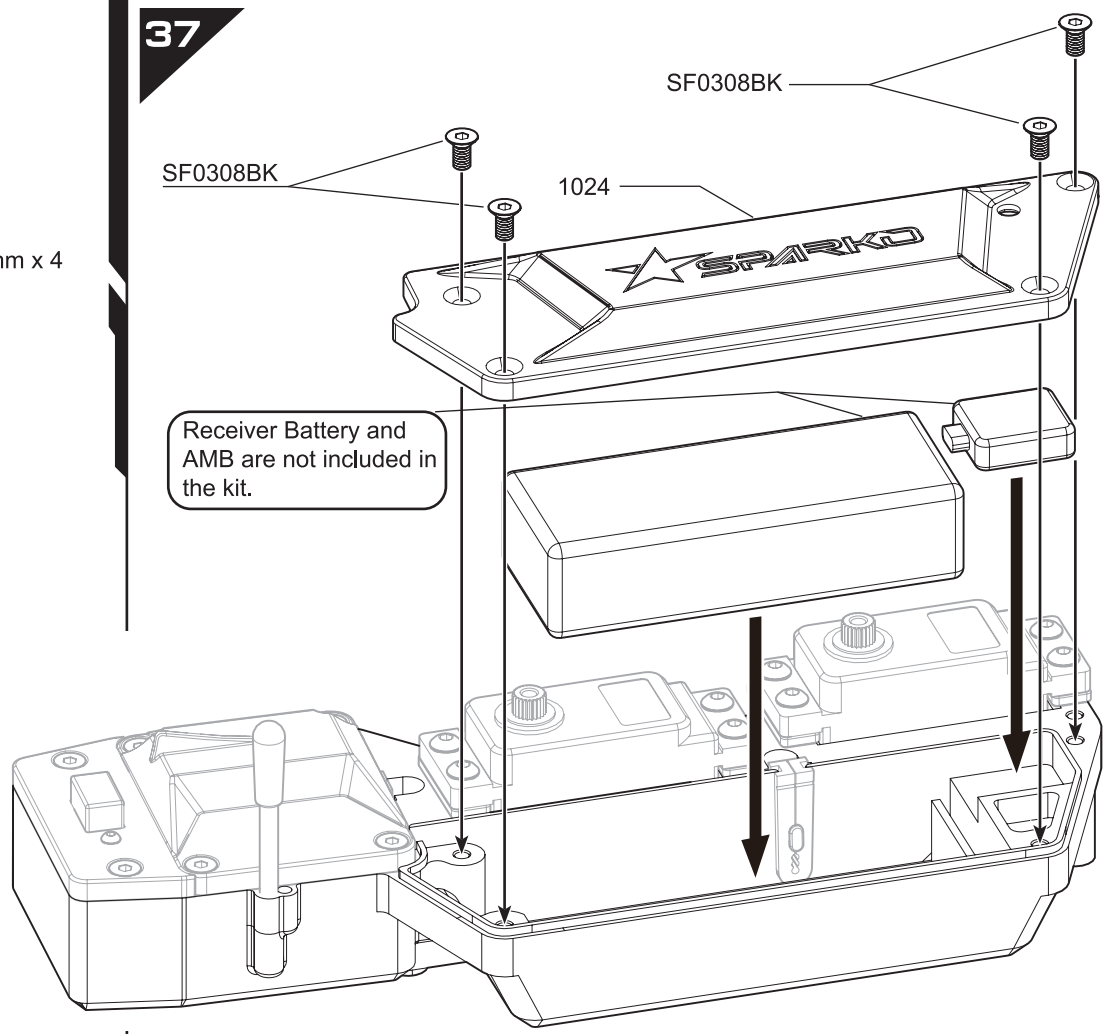
**36**



**37**



SF0308BK  
Flat Screw M3x8mm x 4

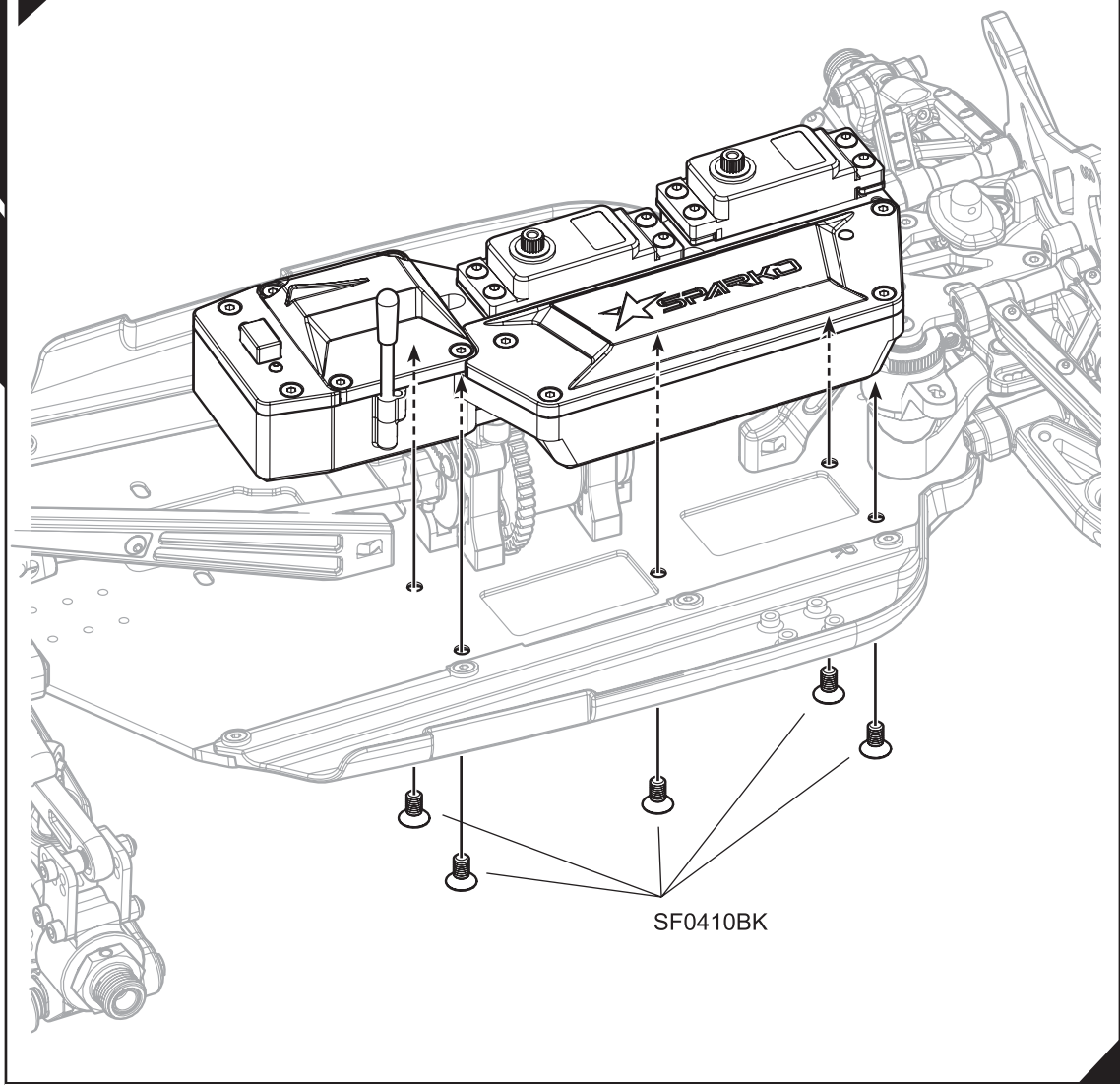


**BAG M**

38



SF0410BK  
Flat Screw  
M4x10mm x 5



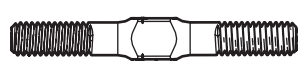
SF0410BK

**BAG N**

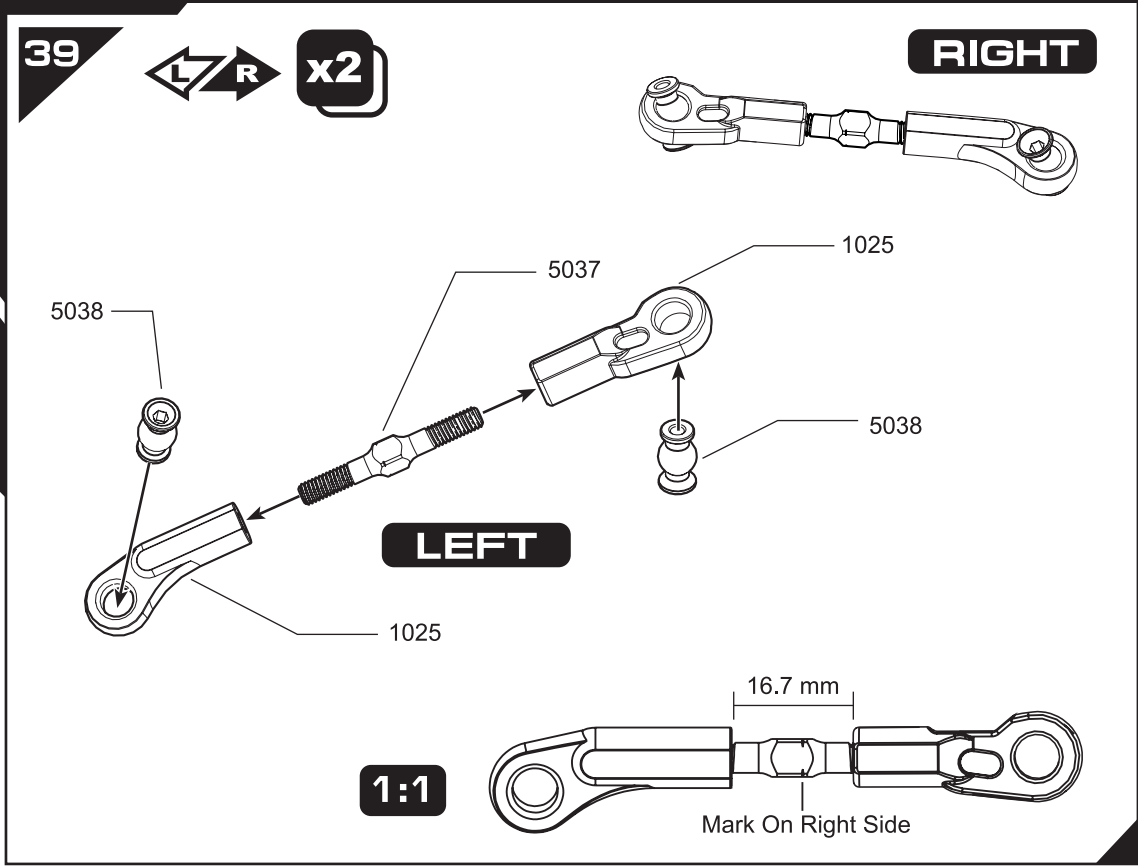
39

**L/R** **x2**

**RIGHT**



5037  
Steering Turnbuckle  
M4x40mm x 2



**LEFT**

**1:1**

Mark On Right Side

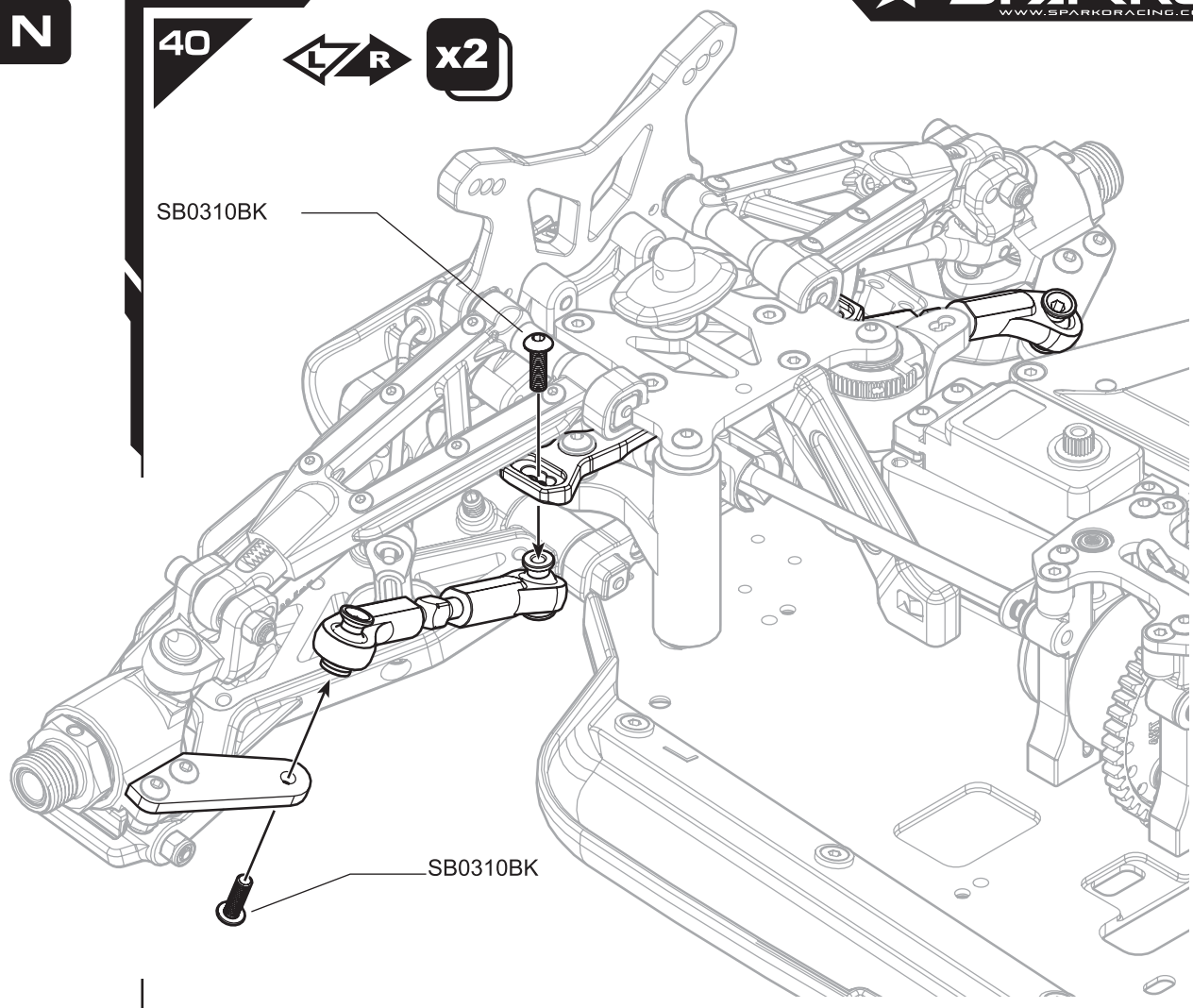


**BAG N**

40  **x2**



SB0310BK  
Ball Screw  
M3x10mm x 4



41



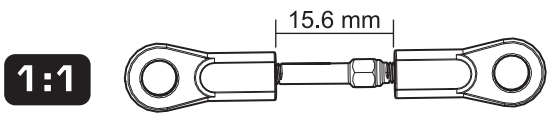
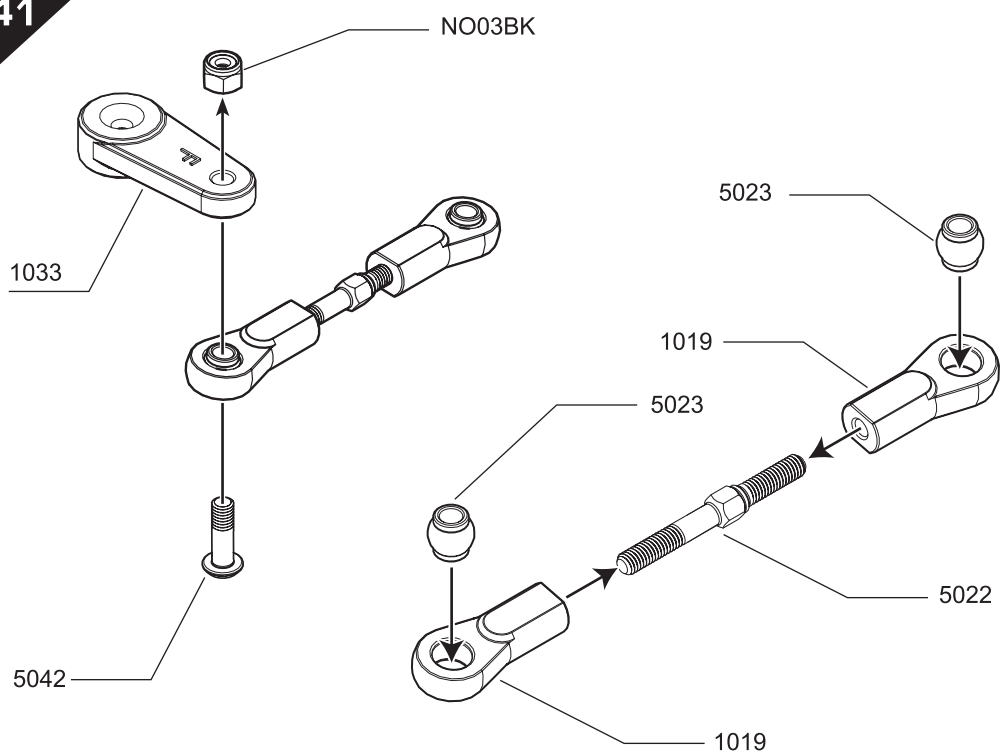
5042  
Hex Shanked Button  
M3x13.7mm x 1



5022  
Sevro Steering Turnbuckle  
M3x30mm x 1



NO03BK  
Nut Lock  
M3 x 1



**BAG N**



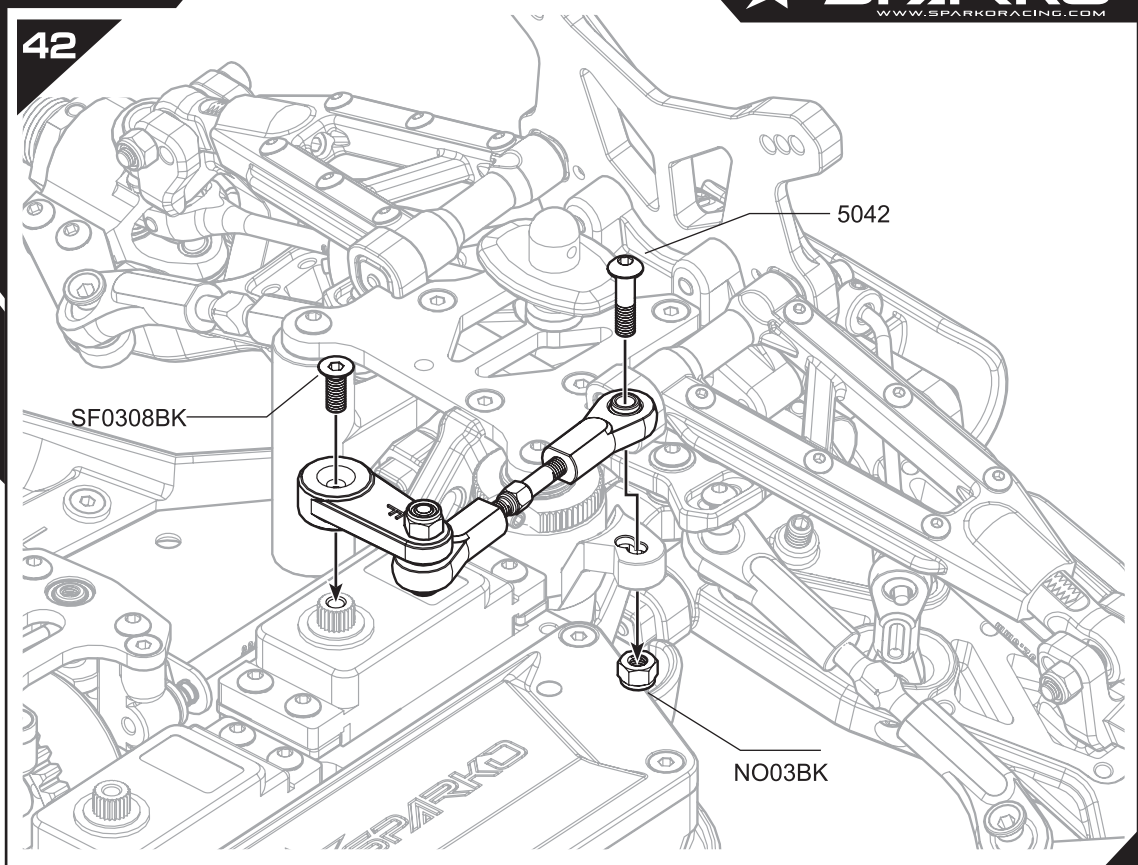
SF0308BK  
Flat Screw  
M3x8mm x 1



5042  
Hex Shanked Button  
M3x13.7mm x 1



NO03BK  
Nut Lock  
M3 x 1



**BAG O**



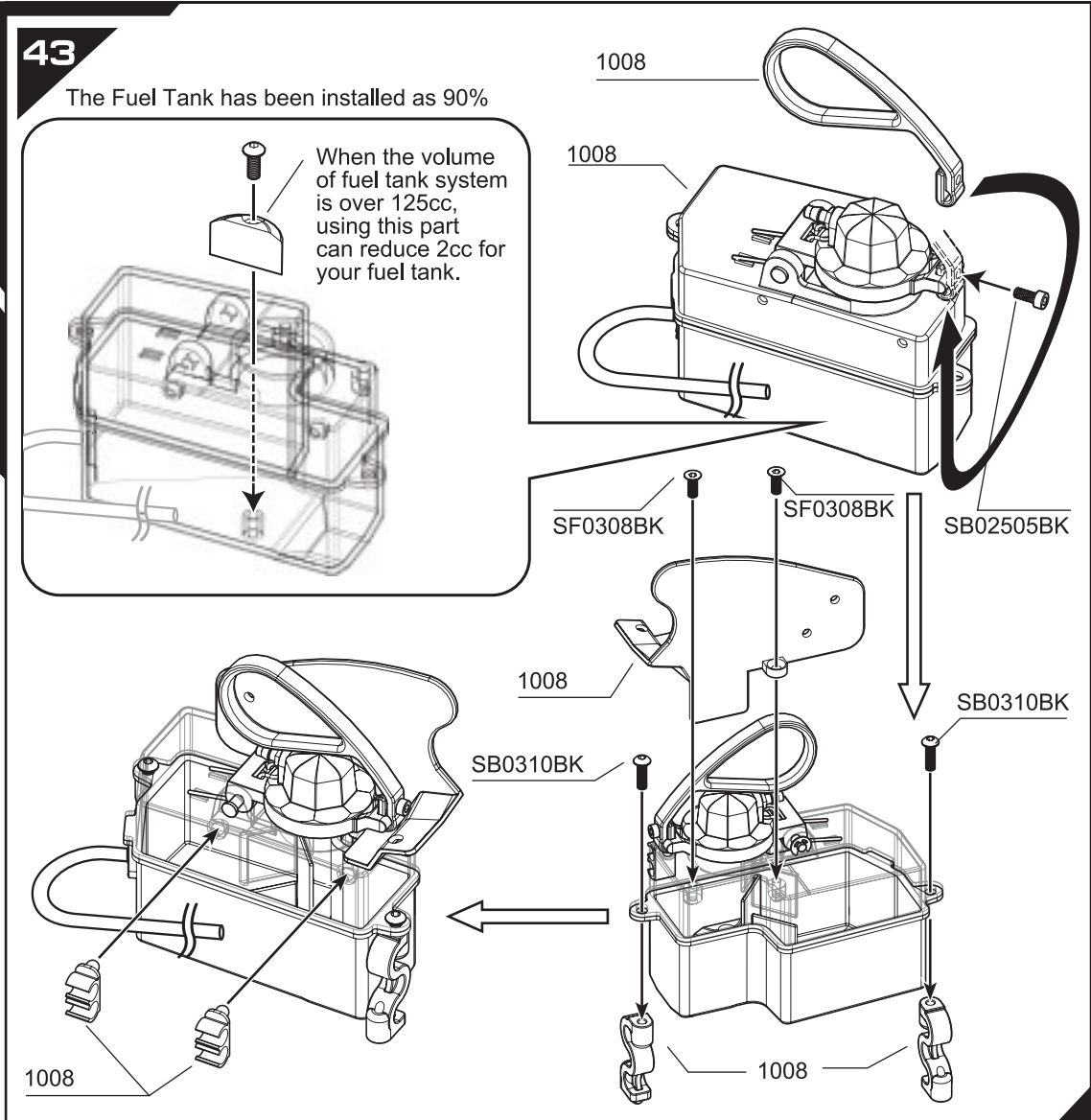
SF0308BK  
Flat Screw  
M3x8mm x 2



SB0310BK  
Ball Screw  
M3x10mm x 2



SB02505BK  
Ball Screw  
M2.5x5mm x 1

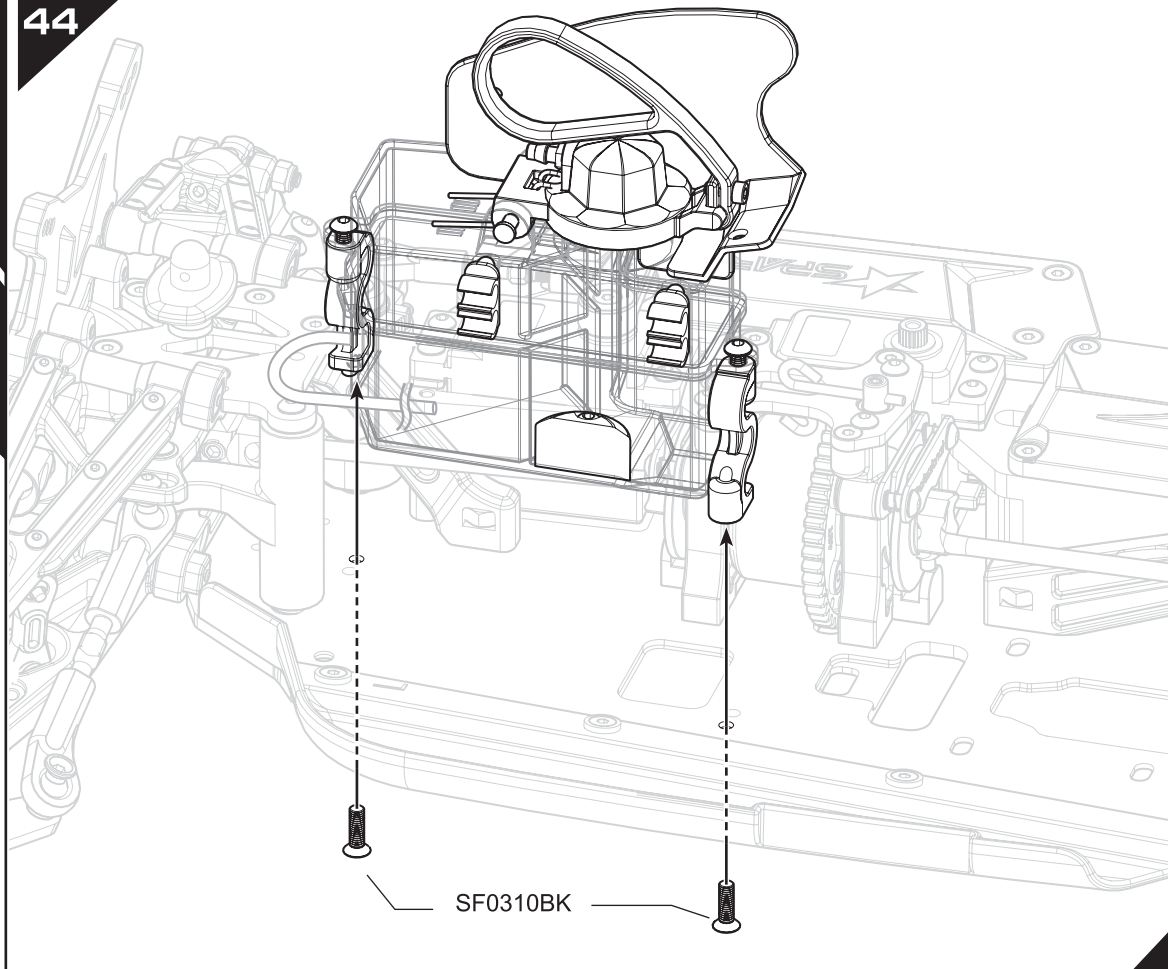


**BAG O**



SF0310BK  
Flat Screw  
M3x10mm x 2

44



**BAG P**

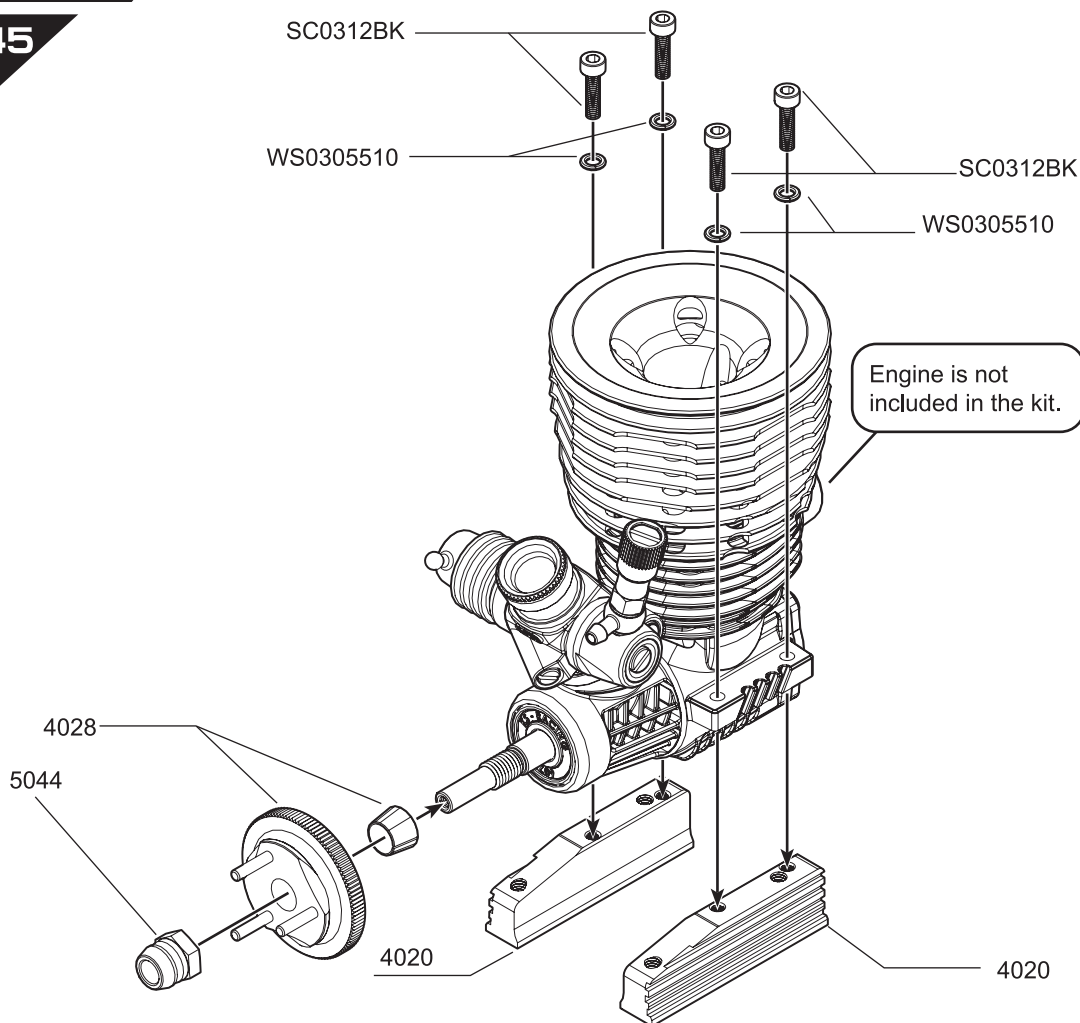


SC0312BK  
Cap Screw  
M3x12mm x 4



WS0305510  
Spring Washer  
M3x5.5x1mm x 4

45



**BAG P**



SC0308BK  
Cap Screw M3x8mm x 1



WO030801  
Shim 3x8x1mm x 1



WO050840  
Shim 5x8xT0.4mm x 4



WO050880  
Shim 5x8xT0.8mm x 1



BO051004  
Ball Bearing  
5x10x4mm x 2



5045  
I-Head Screw Thin  
M4x8mm x 4

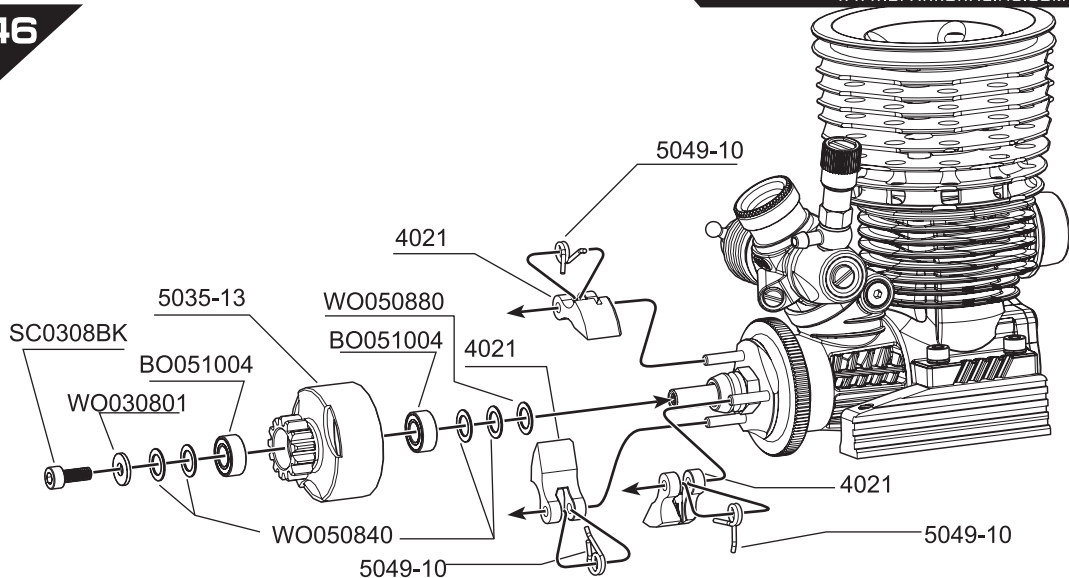


SS0404BK  
Set Screw  
M4x5mm x 1

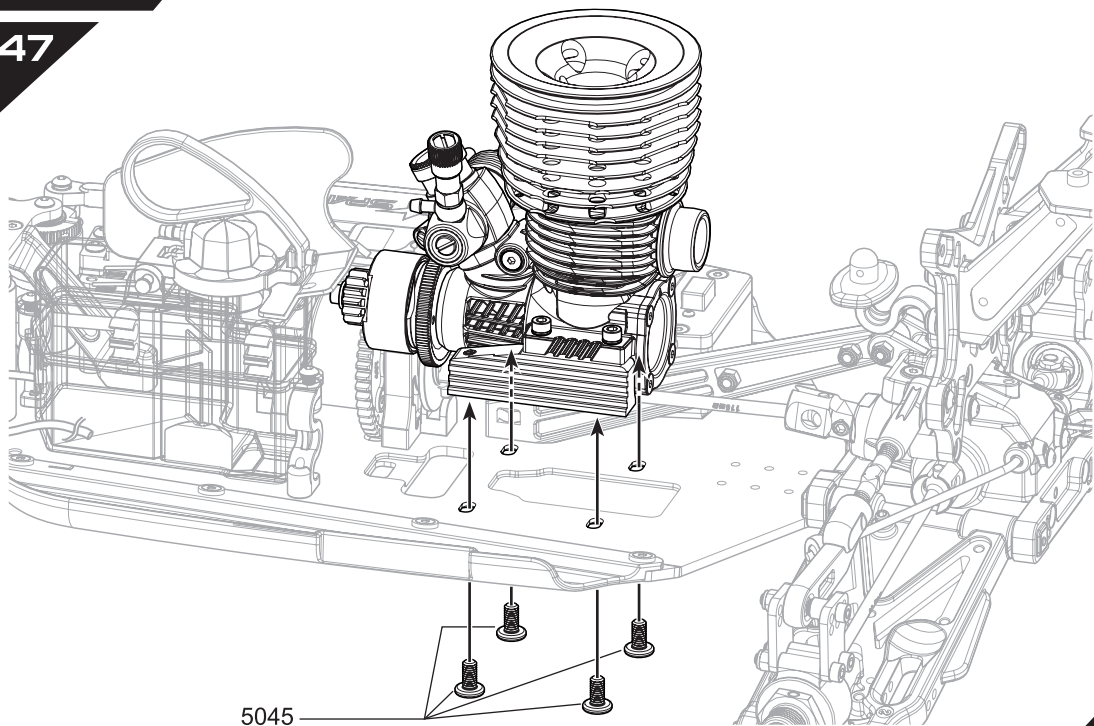


SF0408BK  
Flat Screw  
M4x8mm x 1

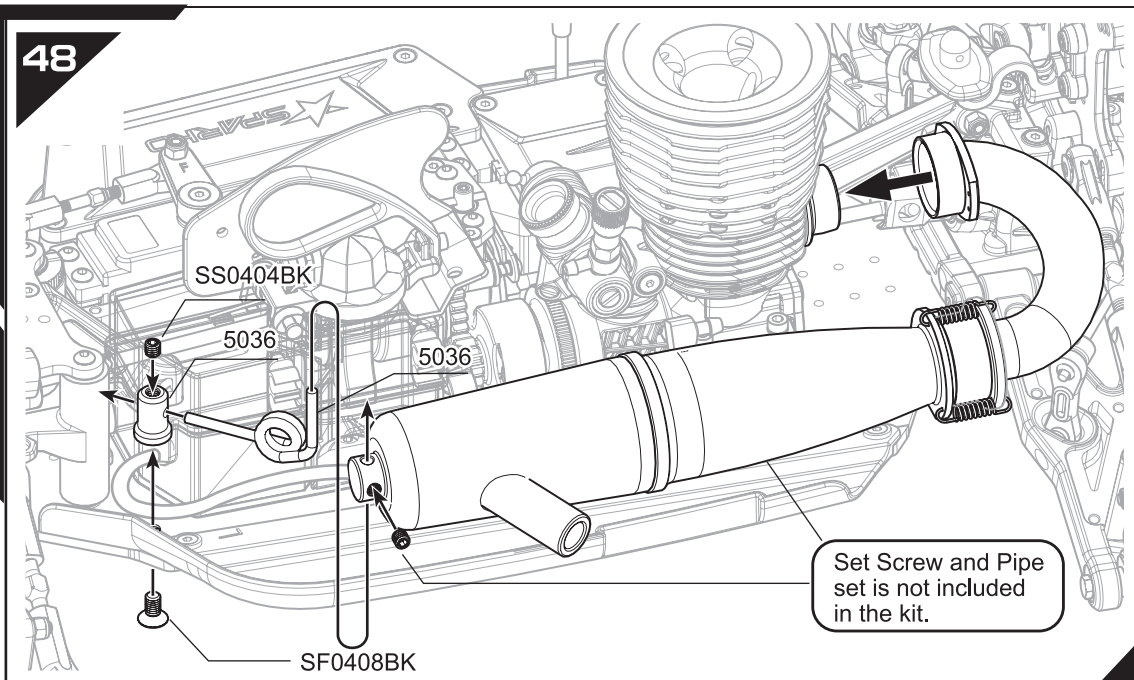
46



47



48



**BAG Q**

49



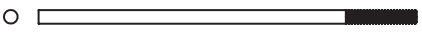
SB02505BK  
Ball Screw  
M2.5x5mm x 3



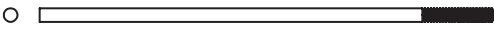
SS0303BK  
Set Screw  
M3x3mm x 6



5042  
Hex Shank Button  
M3x13.7mm x 1



0007  
Throttle Rod  
50mm x 1



0007  
Throttle Rod  
60mm x 2



0007  
Brake Adjuster Knob x 2



0007  
Throttle Rod Spring x 1



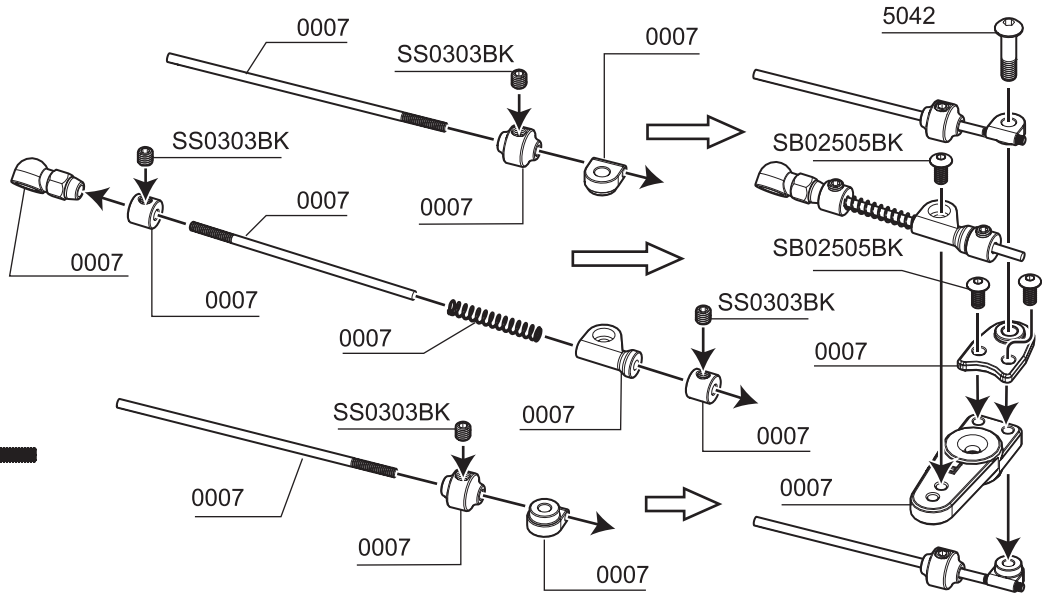
0007  
Brake Spring x 2



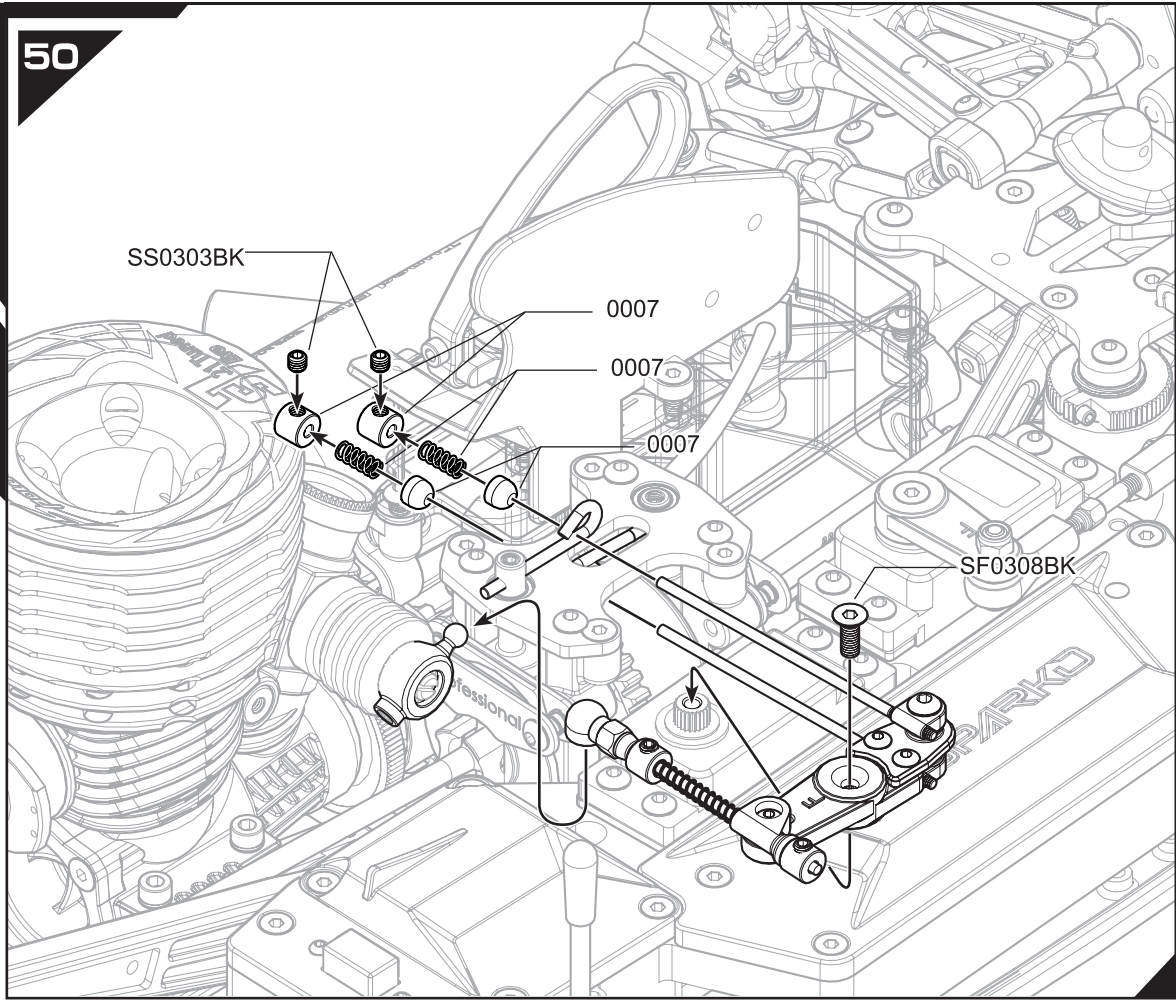
SF0308BK  
Flat Screw  
M3x8mm x 1



0007  
Adjuster Knob x 4



50



51

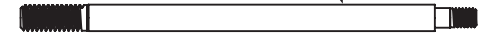
F/R

x2

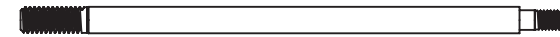
FRONT

x2

REAR



5040  
Front Shock Shaft x 2



5041  
Rear Shock Shaft x 2



NO025SL  
Nut Lock M2.5mm x 4



1028  
Shock Seal Washer  
3.5X7X1.0mm x 4



1028  
Shock Seal Washer  
3.6X7X2.5mm x 8



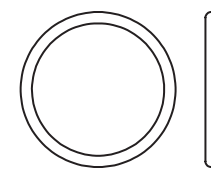
WO0260660  
Shock Piston Washer  
2.6x6x0.6mm x 4



1028  
Shock Seal O-Ring x 8



2003  
Shock seal O-Ring x 4



2004  
Shock Spring Adjust  
Nut O-Ring x4



SF02046  
Flat Screw M2.0x4.6mm  
1.5 Hex x 4

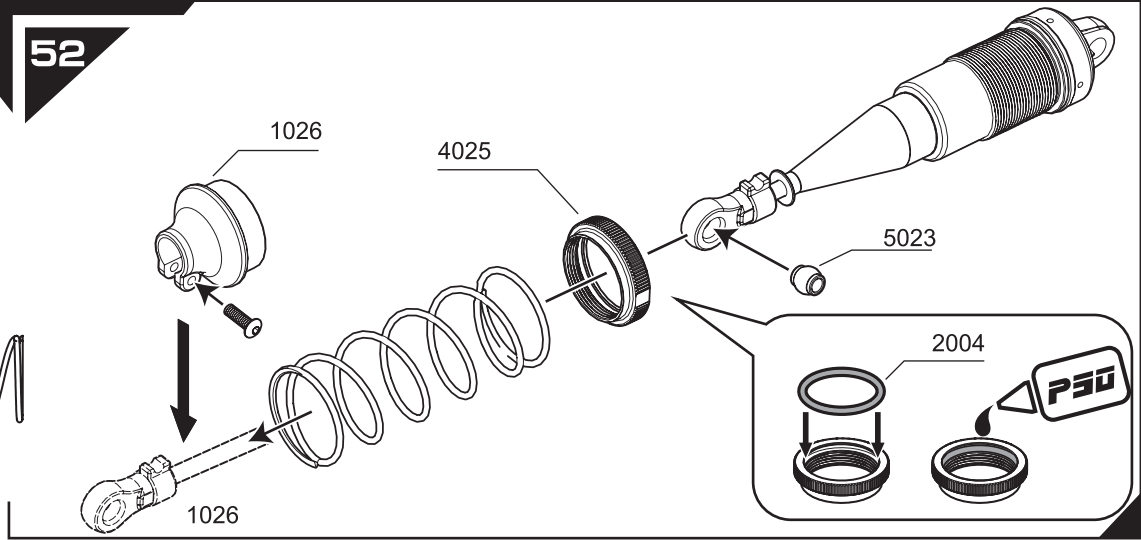
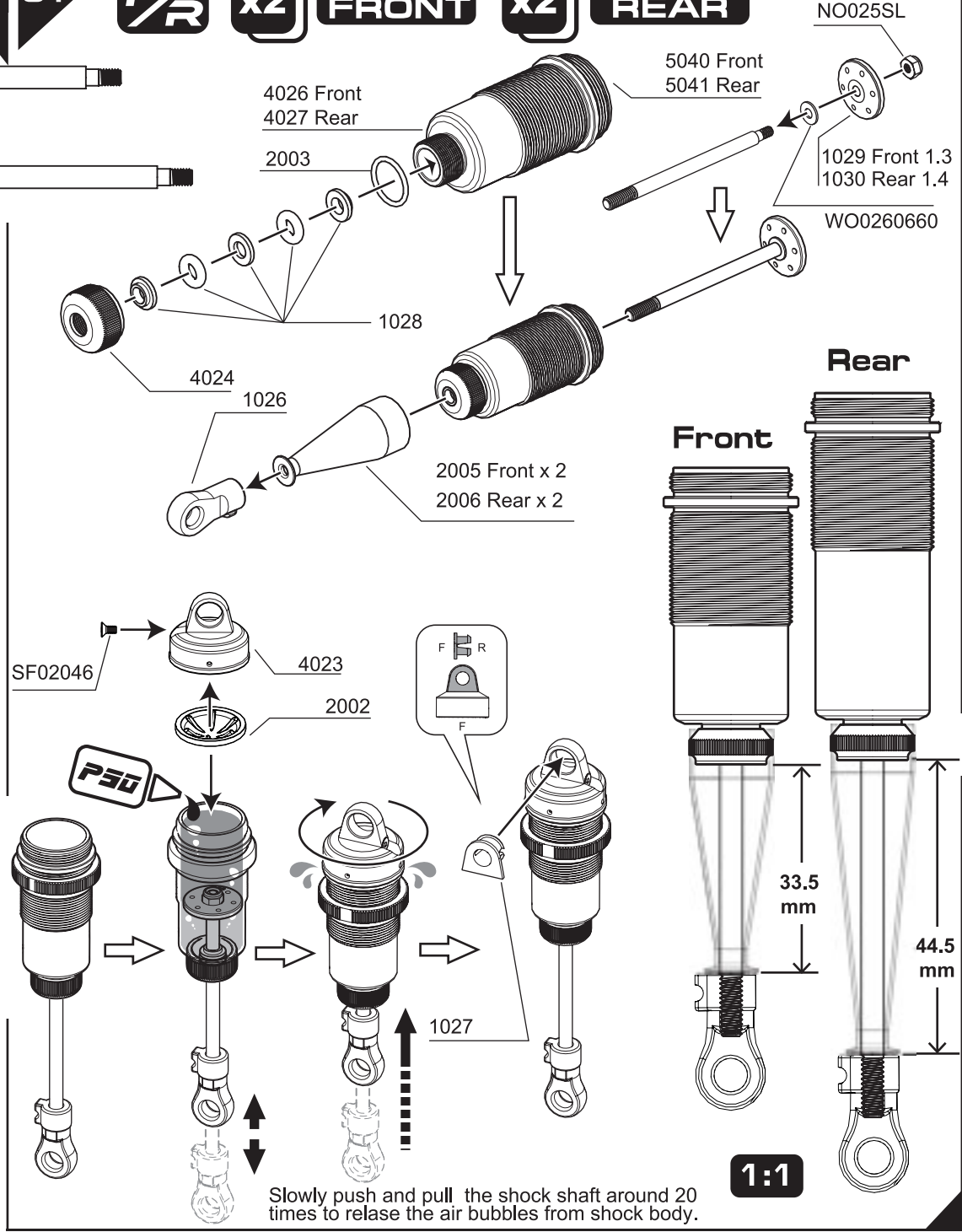


5052-H62  
Front Shock Spring (Hard)  
(L62 X Ø1.6 mm) x 2



5053-M80  
Rear Shock Spring (Mid)  
(L80 X Ø1.6 mm) x2

52

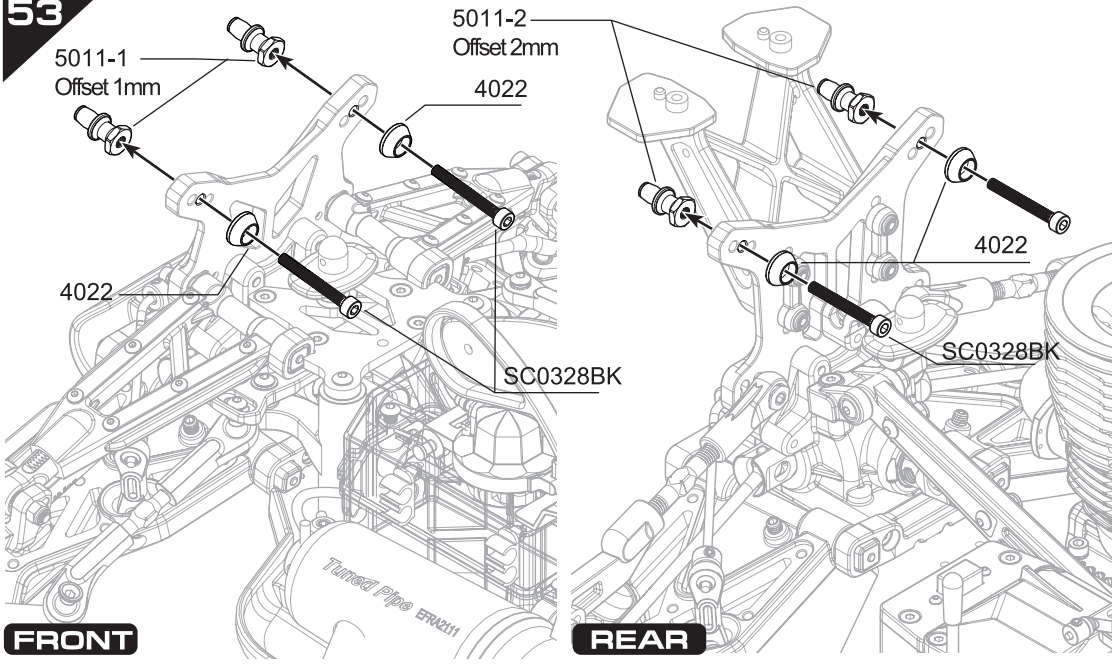


**BAG R**



SC0328BK  
Cap Screw M3x28mm x 4

**53**

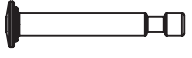


**FRONT**

**REAR**



NF03BK  
Flanged Locknut M3 x 4

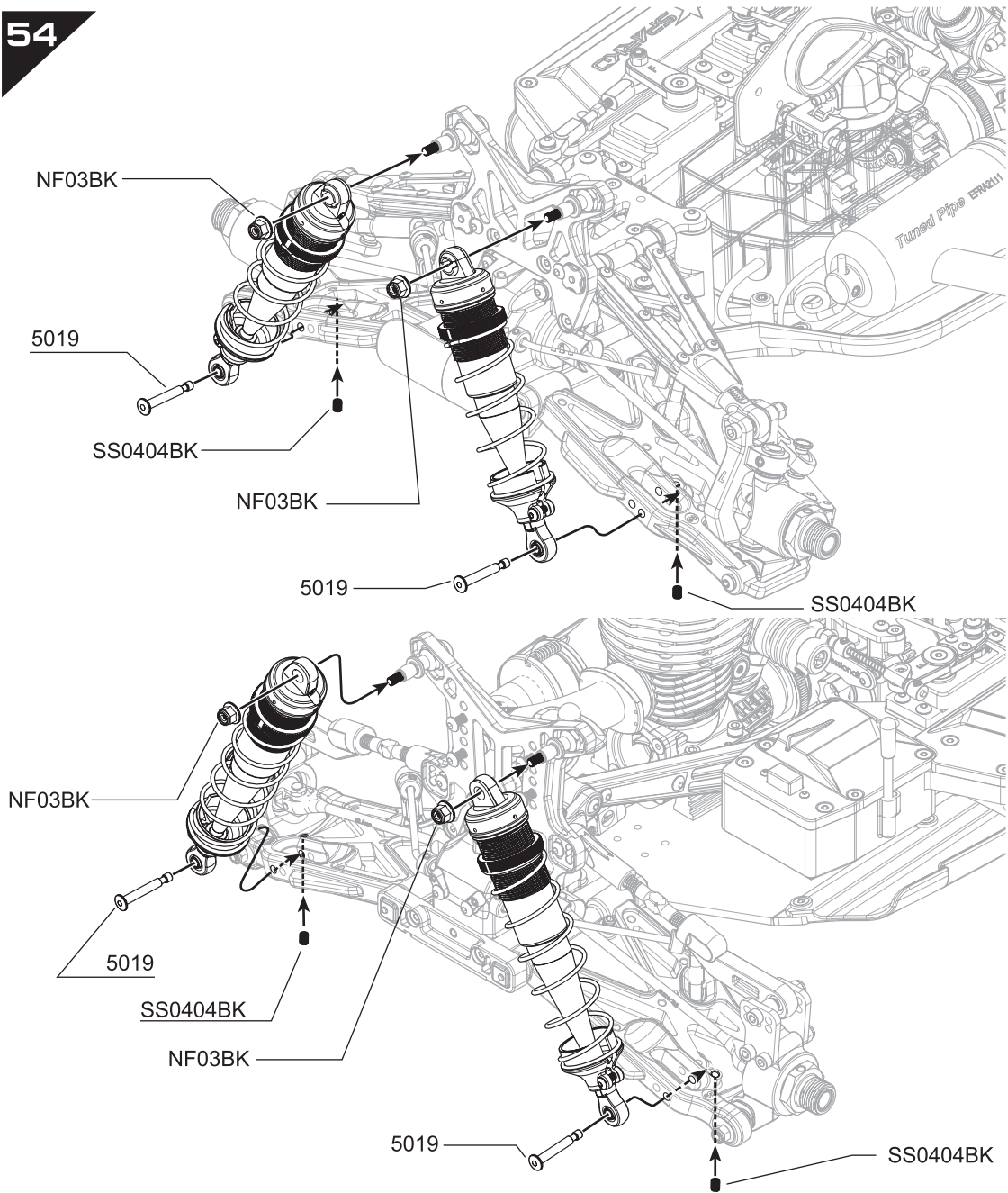


5019  
Shock Pins x 4



SS0404BK  
Set Screw M4x4mm x 4

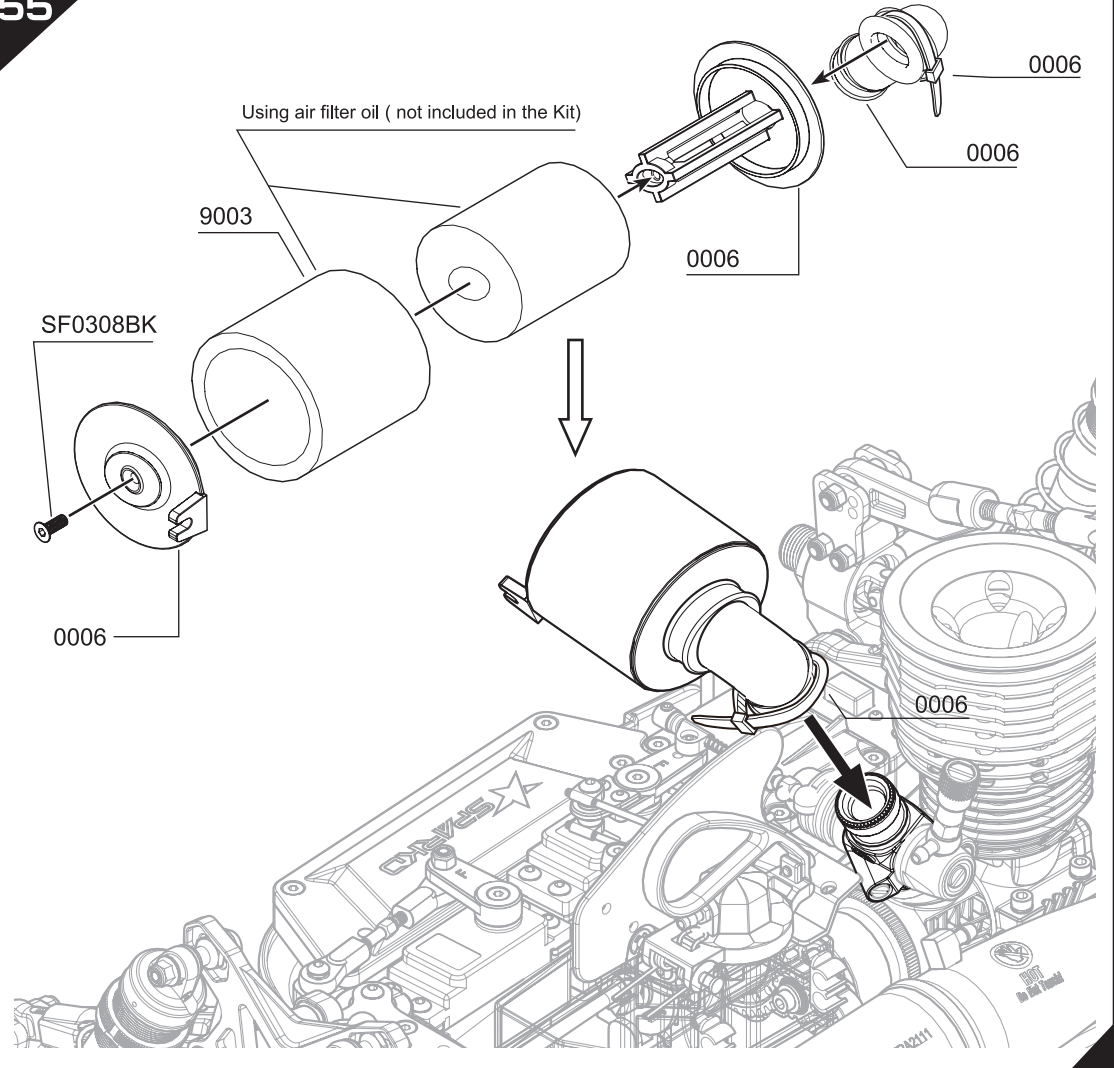
**54**



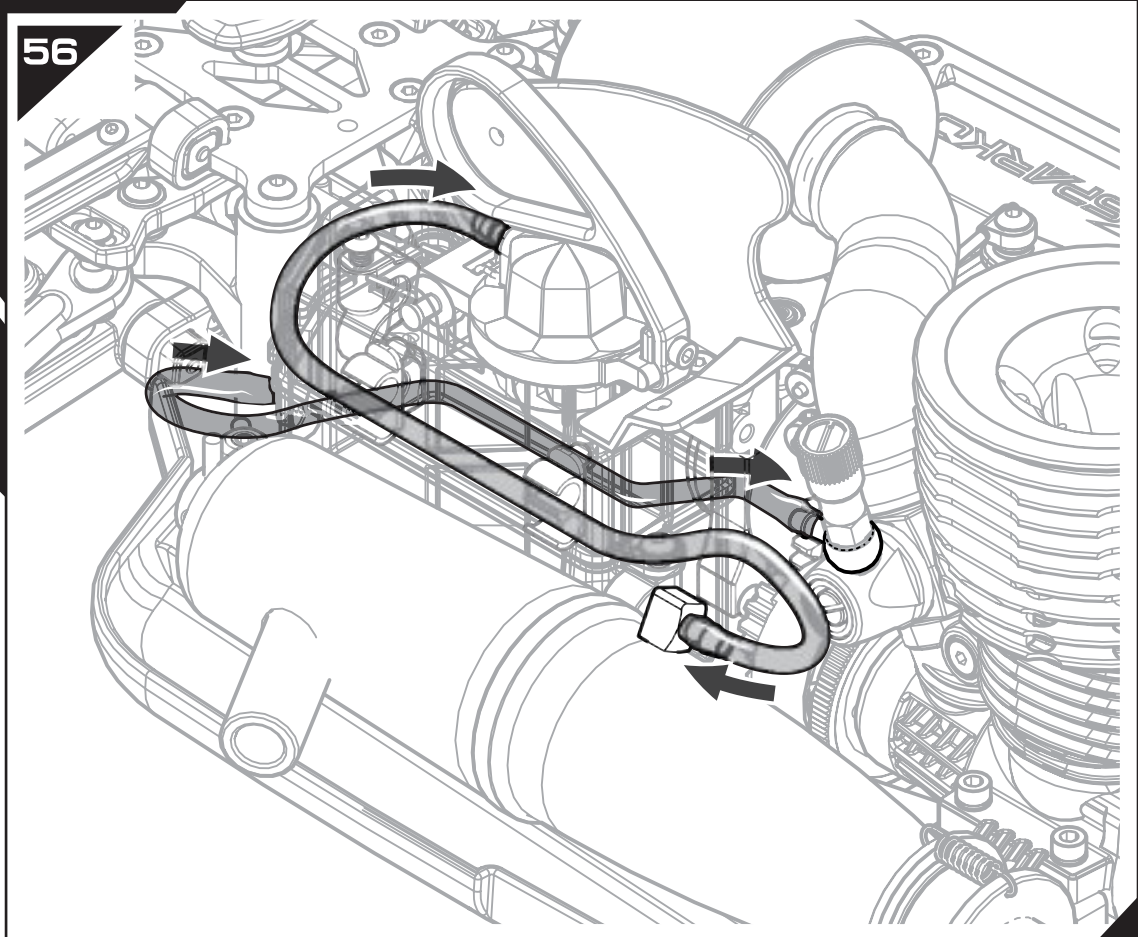
55



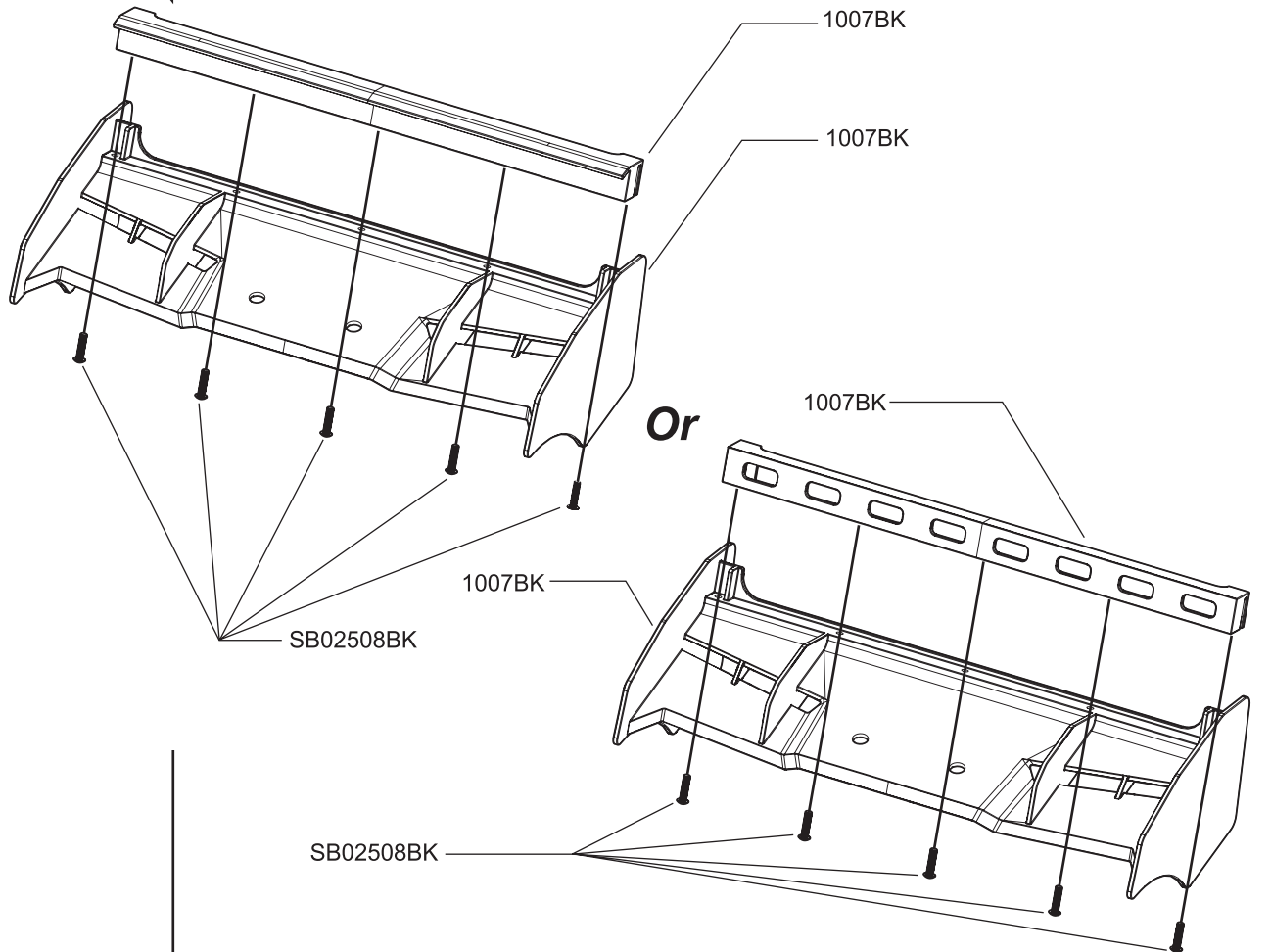
SF0308BK  
Flat Screw M3x8mm x 1



56







SB02508BK  
Ball Screw M2.5x8mm x5



SF0314BK  
Flat Screw M3x14mm x 2



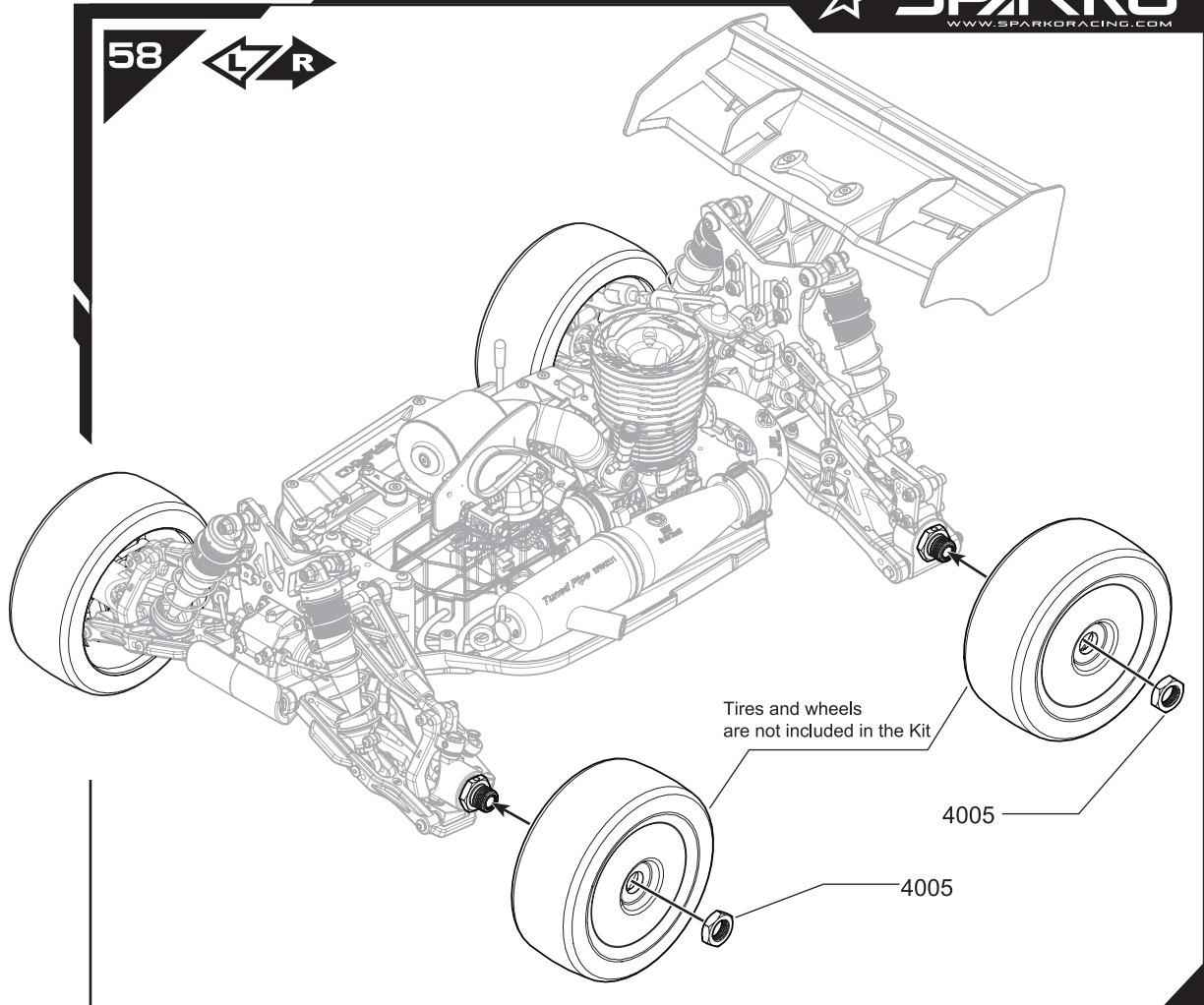
NO03BK  
Nut Lock M3 x 2

**BAG J**

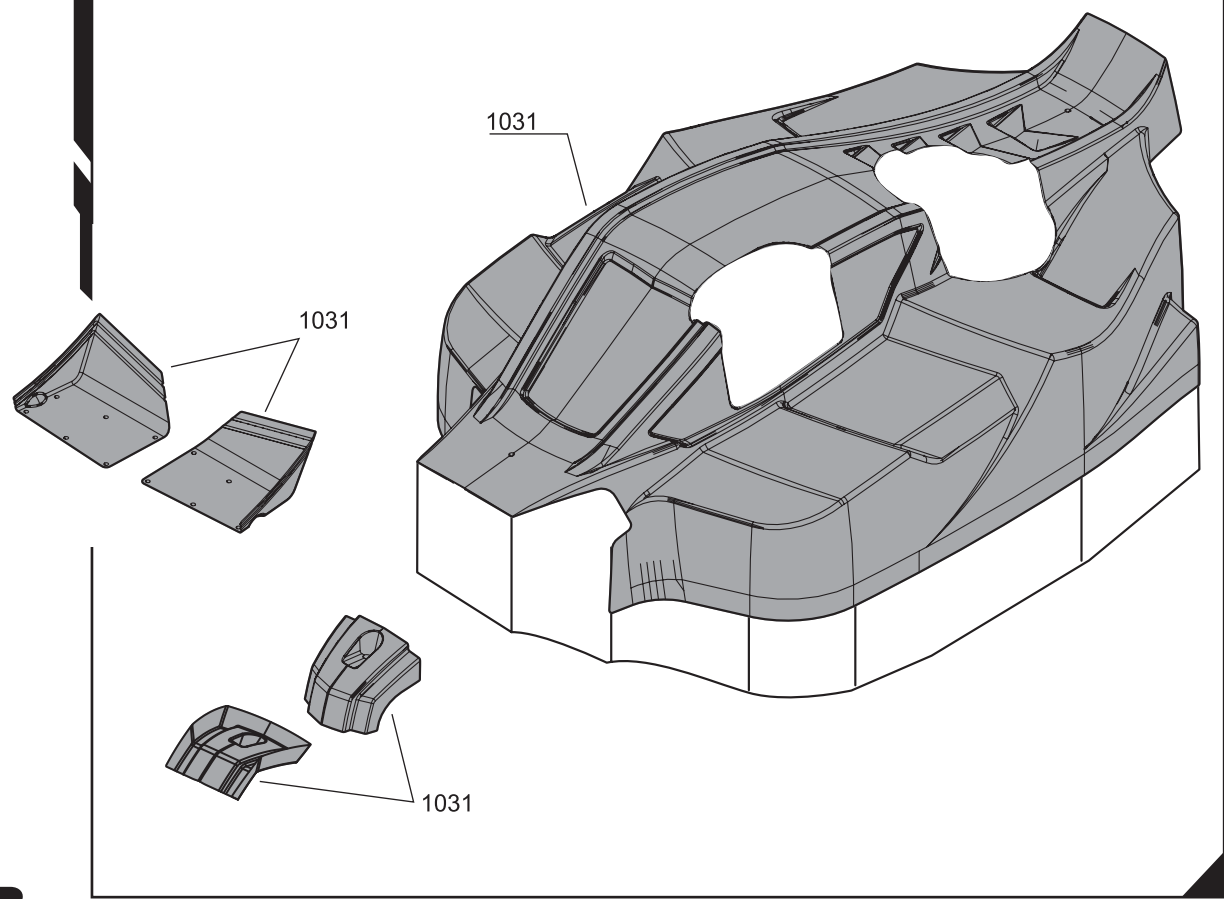
58 



4005  
Aluminum Wheel Nut  
(Hard Anodizing) x 4

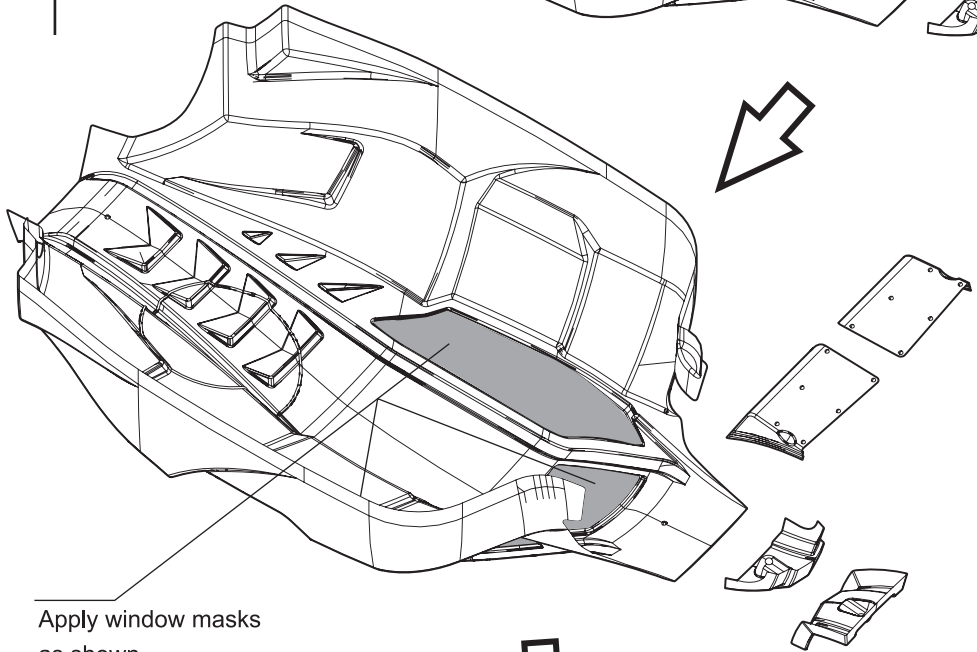
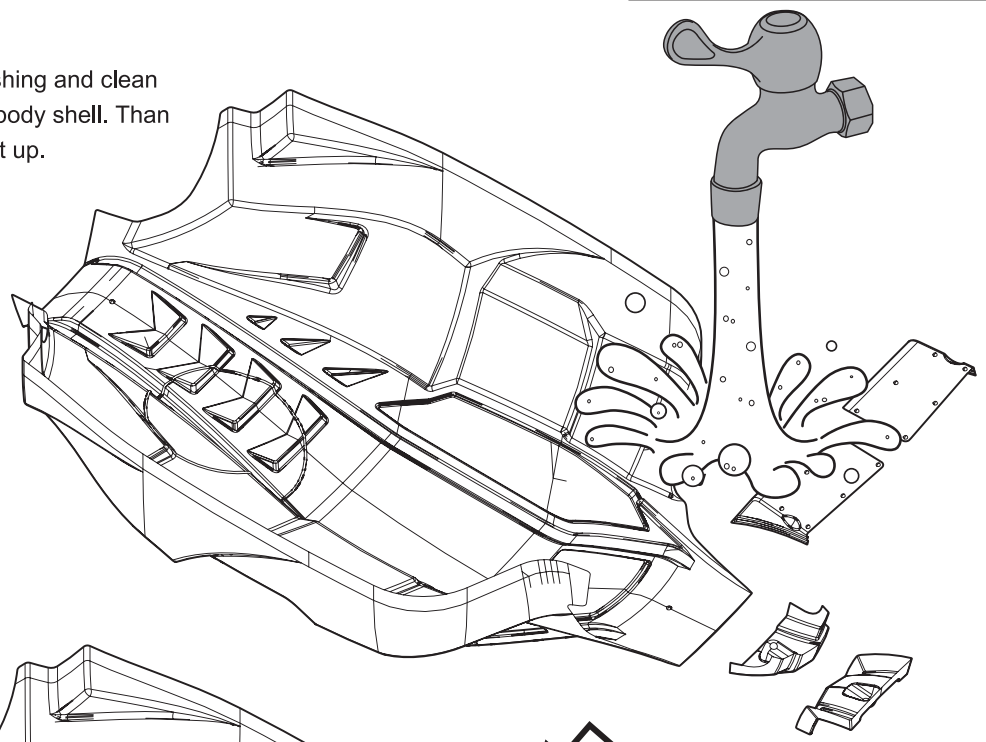


59

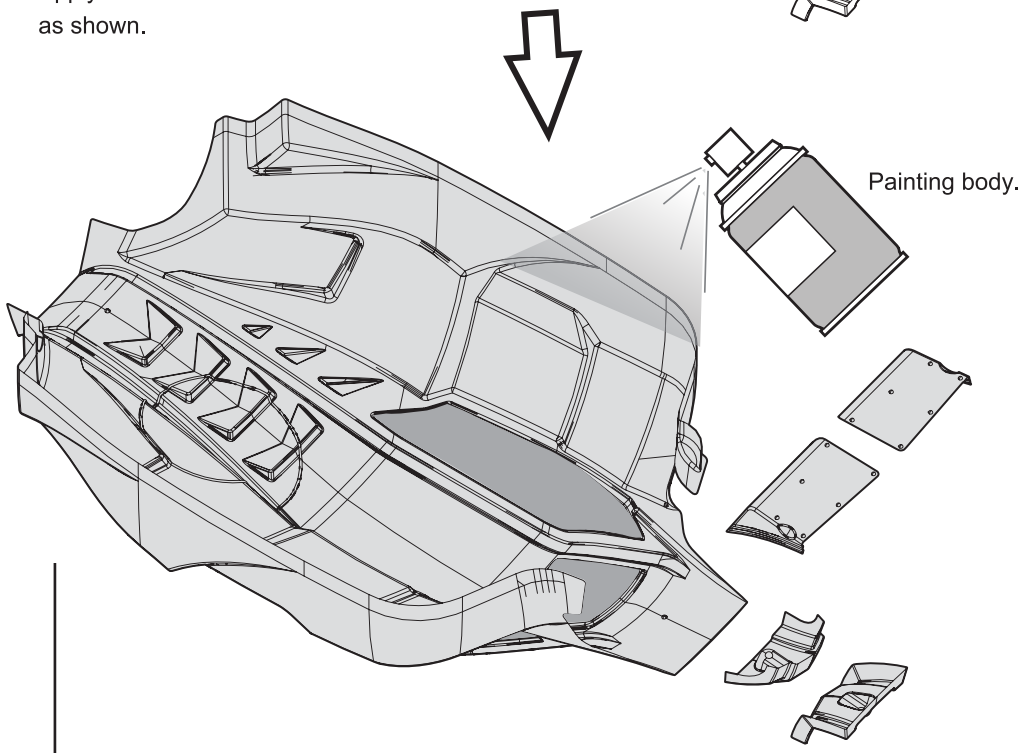


**60**

Washing and clean the body shell. Than dry it up.



Apply window masks as shown.

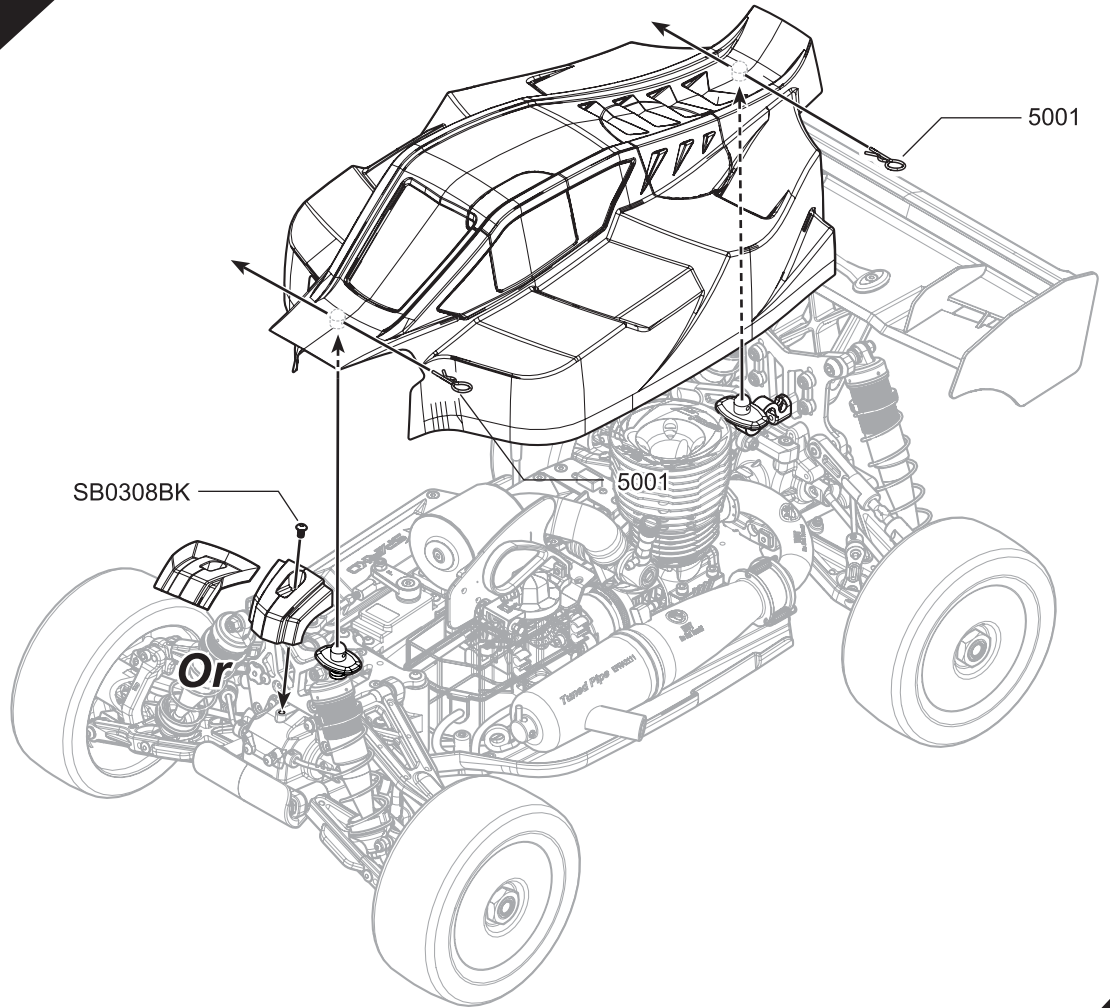


# BAG A



SB0308BK  
Ball Screw M3x8mm x1

53

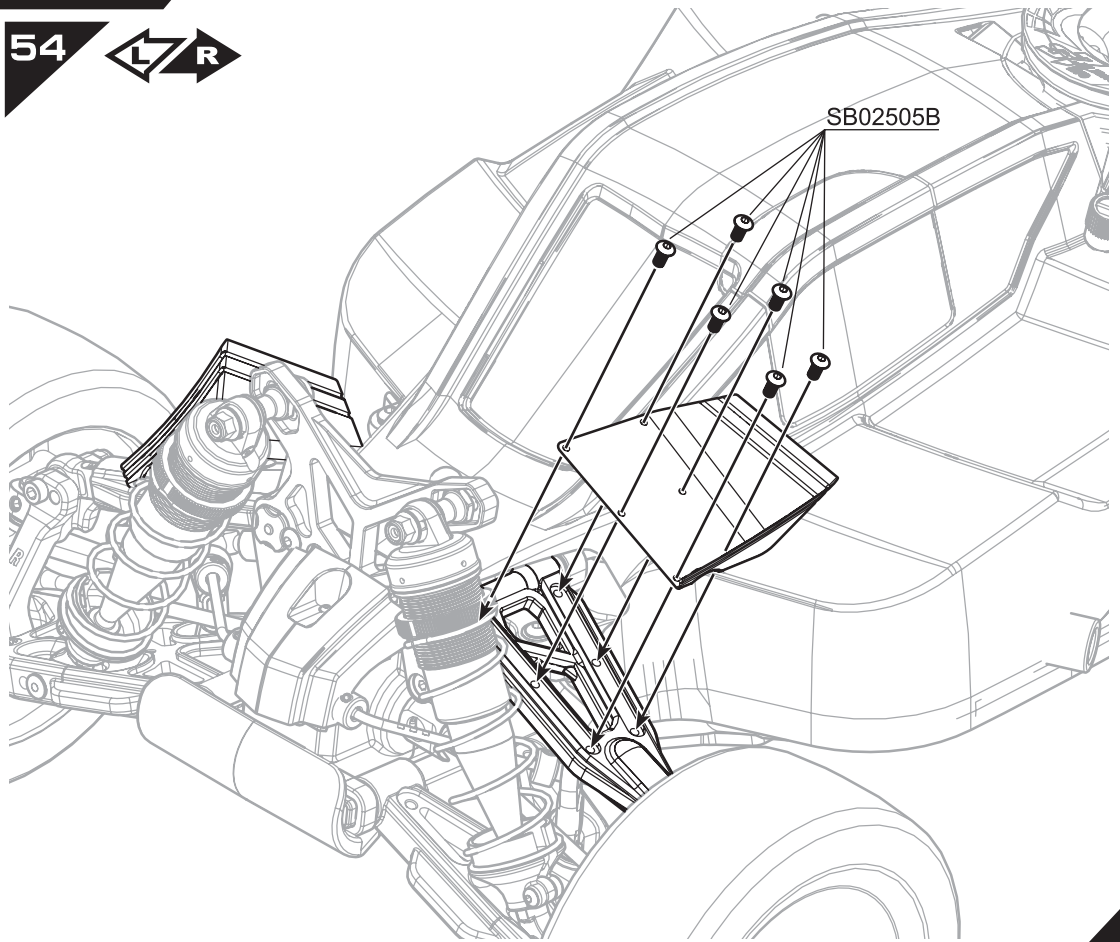


# BAG F



SB02505B  
Ball Screw M2.5x5mm x 12

54



Engine	Plug	Muffler	Clutch Spring	Clutch Shoe	Tire	Tire Insert	Wheel	Body	Fuel
				$\varnothing$ ___ x ___	Model: _____ Compounds: _____				

● **Diff Gear Set-Up**

	Front	Center	Rear
Diff. Fluid	# 10000 43 x 13 <sub>T</sub>	# 10000 46 x 13 <sub>T</sub>	# 5000 43 x 13 <sub>T</sub>

● **Shock Set-Up**

Cap <input checked="" type="checkbox"/> Bladder <input type="checkbox"/> Emulsion	Front	Rear
Oil Brand: _____	# 600	# 600
Spring Collar Spacer	4.3 mm	6 mm
Pistons	$\varnothing$ 1.3 x 6	$\varnothing$ 1.4 x 6
Spring	H62	M80

● **Ride Height**

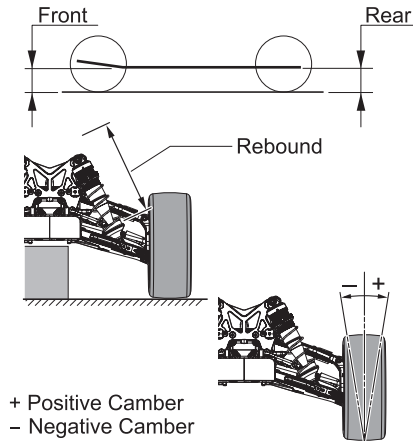
Front	Rear
22 mm	25 mm

● **Rebound**

Front	Rear
103 mm	125 mm

● **Camber Angle**

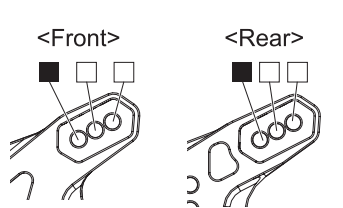
Front	Rear
+ 0 °	+ 3 °



● **Wheelbase** \_\_\_\_\_ mm

● **Track Width** \_\_\_\_\_ mm

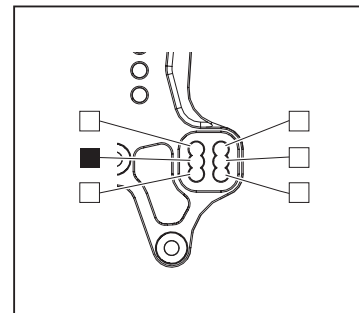
● **Shock Mount Position**



**Sus. Arm**

Front	<input type="checkbox"/> In <input checked="" type="checkbox"/> Out
Rear	<input type="checkbox"/> In <input checked="" type="checkbox"/> Out

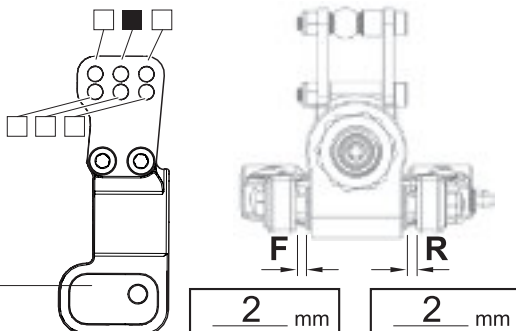
● **Rear Upper Arm Position**



● **Rear Hub**

<input checked="" type="checkbox"/> Plastic	<input type="checkbox"/> Aluminum
---	-----------------------------------

Hub Carrier Bush	<input checked="" type="checkbox"/> Plastic
	<input type="checkbox"/> _____
	<input type="checkbox"/> _____
	<input type="checkbox"/> _____



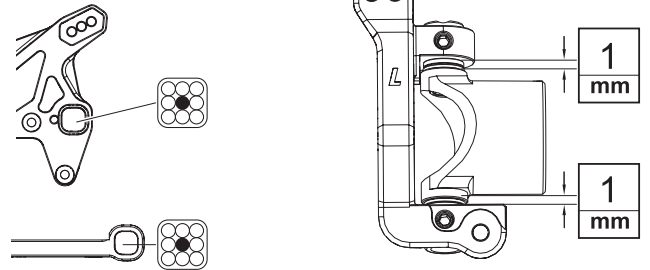
● **Arm**

Front	Rear
<input type="checkbox"/> Soft	<input type="checkbox"/> Soft
<input checked="" type="checkbox"/> Hard (Std.)	<input checked="" type="checkbox"/> Hard (Std.)
<input type="checkbox"/> _____	<input type="checkbox"/> _____

● **Front Hub Carrier**

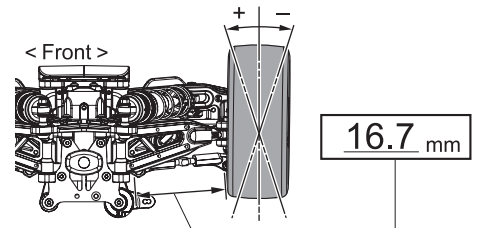
<input checked="" type="checkbox"/> Plastic	<input type="checkbox"/> Aluminum
<input checked="" type="checkbox"/> 16°	<input type="checkbox"/> 20° <input type="checkbox"/> _____°

● **Front Upper Arm Position**



● **Toe Angle**

Front	
+	0 °
-	1 °



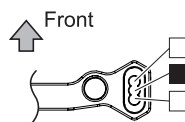
● **Front Toe-In**



● **Rear Toe-In**



● **Steering Plate**



● **Sway Bar**

Front	Rear
$\varnothing$ 2.5mm	$\varnothing$ 2.8mm
0 mm	0 mm

● **Wing**

<input type="checkbox"/> High Force	<input type="checkbox"/> _____
<input checked="" type="checkbox"/> Holes	<input type="checkbox"/> _____
<input type="checkbox"/> Without	<input type="checkbox"/> _____

● **Wing Position / Angle**

<input type="checkbox"/> H	<input type="checkbox"/> 0°
<input type="checkbox"/> M	<input type="checkbox"/> +1.5°
<input checked="" type="checkbox"/> L	<input checked="" type="checkbox"/> +3°

**Notes**

Date / /

Track

Name of Drive

Size:  Open  Med.  Tigh  
Traction:  High  Med.  Low  
Surface:  Smooth  Med.  Bum

Engine	Plug	Muffler	Clutch Spring	Clutch Shoe	Tire	Tire Insert	Wheel	Body	Fuel
			$\varphi$ ___ x ___		Model:				
					Compounds:				

**Diff Gear Set-Up**

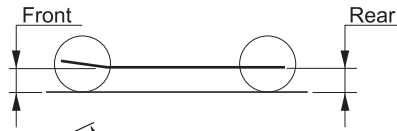
	Front	Center	Rear
Diff. Fluid	#	#	#
	___ x ___ T	___ x ___ T	___ x ___ T

**Shock Set-Up**

Cap <input type="checkbox"/> Bladder <input type="checkbox"/> Emulsion	Front	Rear
Oil Brand: _____	#	#
Spring Collar Spacer	mm	mm
Pistons	$\varphi$ ___ x ___	$\varphi$ ___ x ___
Spring		

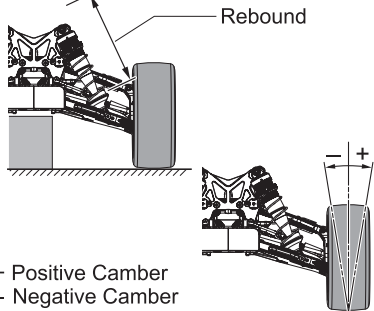
**Ride Height**

Front	Rear
mm	mm



**Rebound**

Front	Rear
mm	mm



**Camber Angle**

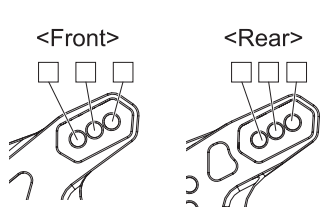
Front	Rear
+ °	+ °
- °	- °

+ Positive Camber  
- Negative Camber

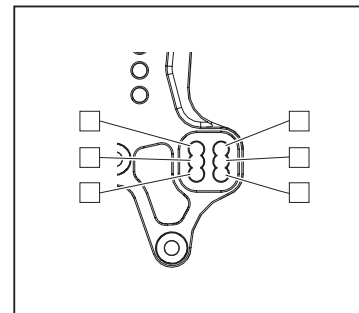
**Wheelbase** \_\_\_\_\_ mm

**Track Width** \_\_\_\_\_ mm

**Shock Mount Position**



**Rear Upper Arm Position**



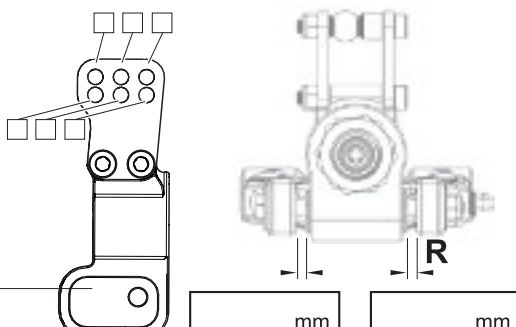
**Sus. Arm**

Front	<input type="checkbox"/> In	<input type="checkbox"/> Out
Rear	<input type="checkbox"/> In	<input type="checkbox"/> Out

**Rear Hub**

Plastic  
 Aluminum

Hub Carrier Bush  
 Plastic  
 \_\_\_\_\_



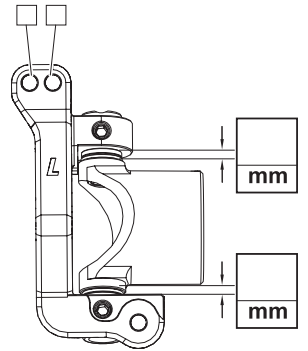
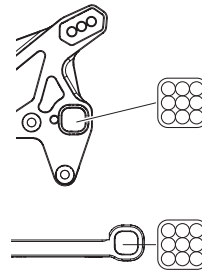
**Arm**

Front	Rear
<input type="checkbox"/> Soft	<input type="checkbox"/> Soft
<input type="checkbox"/> Hard (Std.)	<input type="checkbox"/> Hard (Std.)
<input type="checkbox"/> _____	<input type="checkbox"/> _____

**Front Hub Carrier**

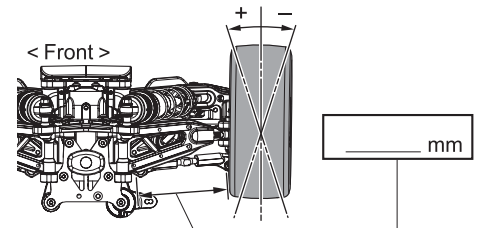
Plastic  Aluminum  
 16°  20°  \_\_\_\_\_°

**Front Upper Arm Position**



**Toe Angle**

Front	
+	°
-	°



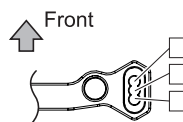
**Front Toe-In**

<b>FF</b>		<b>FR</b>	
-----------	--	-----------	--

**Rear Toe-In**

<b>RF</b>		<b>RR</b>	
-----------	--	-----------	--

**Steering Plate**



**Sway Bar**

Front	Rear
$\varphi$	$\varphi$
mm	mm

**Wing**

High Force   
 Holes   
 Without

**Wing Position / Angle**

H  M  L  
 H  M  L

0°  
 +1.5°  
 +3°

**Notes**

PT No.	ITEM
F80001	SPARKO F8 1/8 NITRO BUGGY KIT
F80002	Shock Set for Front (Not Assembled)(2pcs)
F80003	Shock Set for Rear (Not Assembled)(2Pcs)
F80004	Differential Set Center
F80005	Differential Set F/R
F80006	Air Filter Set
F80007	Brake Linkage Set
F80008	Cluth Set
F80009	Front Sway Bar Set 2.0/2.3/2.5/2.8mm
F80010	Rear Sway Bar Set 2.4/2.6/2.8/3.0mm
F81001	Steering Bellcrank Set(with Servo Horn)
F81002	Front Lower Suspension Arms (Left & Right)
F81004	Front Upper Suspension Arms Set x2
F81005	Sway Bar Ball End Set (4pcs)
F81006	Front Body Mount
F81007BK	1/8 Wing-Black
F81007WHOP	1/8 Wing-White
F81007YLOP	1/8 Wing-Yellow
F81008	Fuel Tank
F81009	Plastic Arm Holder Insert Set (2set)
F81010	Plastic steering Shim 1mm (4pcs)
F81011	F/R Gearbox Set
F81012	F/R Differential Case
F81013	Center Diff. Mount Set x2
F81014	Side Guards
F81015	Rear Lower Suspension Arms (Left & Right)
F81017	Rear Hubs & Insert Set x2
F81018	Bearing Spacers (4pcs)
F81019	Rear Upper Arm Linkage Ball End Set x2
F81020	Tall Wing Mount
F81021	Front Bumper (2pcs)
F81022	Rear Body Mount
F81023	Antenna Tube Set
F81024	Receiver Box
F81025	Front Steering Linkage Ball End Set x2
F81026	Spring Cups & Shock Rod Ends Set x2
F81027	Shock Cap Bushings (4pcs)
F81028	CNC Delrin Shock Cartridge Set x2
F81029	Big Bore Tapered Shock Piston 6x1.3mm (2pcs)
F81030	Big Bore Tapered Shock Piston 6x1.4mm (2pcs)
F81031	Buggy Body (Clear)
F81032	Center Differential Case
F81033	Servo Horn Set
F81034	Chassis Brace Set
F81035	Rear Upper Arm Linkage Ball End Short x 4
F82001	Differential O-Rings (6pcs)
F82002	Shock Bladder (2pcs)
F82003	Shock seal O-Rings (4pcs)
F82004	Shock Spring Adjust Nut O-Ring (4pcs)
F82005	Shock Boots Front (4pcs)
F82006	Shock Boots Rear (4pcs)
F82007OP	Dustproof Bush for Receiver Box Set x2
F83001-30	Carbon Fiber Steering Knuckle Plate(R=L) 3.0mm (2pcs)
F83002-15	Carbon Fiber Front Upper Arm Inserts (R=L) 1.5mm (4pcs)
F83002-20OP	Carbon Fiber Front Upper Arm Inserts (R=L) 2.0mm (4pcs)
F83003-30	Carbon Fiber Front Top Plate 3.0mm
F83004-25	Carbon Fiber Center Diff. Plate 2.5mm
F83005-25	Carbon Rear Hub Link 2.5mm (4pcs)
F83006-15OP	Carbon Front Arm covers 1.5mm - 2pcs
F83006-20OP	Carbon Front Arm covers 2.0mm - 2pcs
F83007-15OP	Carbon Rear Arm covers 1.5mm - 2pcs
F83007-20OP	Carbon Rear Arm covers 2.0mm - 2pcs
F83008-15OP	Carbon Rear Brace covers 1.5mm - 2pcs
F83008-20OP	Carbon Rear Beace covers 2.0mm - 2pcs

PT No.	ITEM
F83009-15OP	Carbon Wing Mount covers 1.5mm - 2pcs
F83009-20OP	Carbon Wing Mount covers 2.0mm - 2pcs
F84001	7075Aluminum Steering Bellcrank
F84002	7075Aluminum Steering Plate
F84003	Aluminum Servo Saver Post (Hard Anodizing)
F84004	Aluminum Servo Saver Nut with Screw Fixed
F84005	Aluminum Wheel Nut(Hard Anodizing) (4pcs)
F84006	Aluminum Wheel Hub Axil(L4.5mm)17mm(Hard Anodizing)(2pcs)
F84007	7075Aluminum Arm Mount A(Dark Blue)
F84008	7075Aluminum Upper Link Mount (Dark Blue)
F84009	7075Aluminum Front Shock Tower (Dark Blue)
F84010	Aluminum Adjuster Knob 8mm (4pcs)
F84011	7075Aluminum Steering Block
F84012	7075Aluminum Caster Block (Left & Right)(16°)
F84014	7075Aluminum Arm Mount B(Dark Blue)
F84015	7075Aluminum Arm Mount C(Dark Blue)
F84016	Pinion Gear Stopper 5x7x5.1mm (4pcs)
F84017	7075Aluminum Chassis (Hard Anodizing)
F84018	7075Aluminum Rear Shock Tower (Dark Blue)
F84019	7075Aluminum Arm Mount D(Dark Blue)
F84020	7075Aluminum Engine Mount Set
F84021	Aluminum Clutch Shoes & 1.0mm Spring (3pcs)
F84022	Aluminum Shock Tower Washers (Titanium Color)
F84023	7075Aluminum Shock Caps (2pcs)
F84024	7075Aluminum Shock Body Seal Retainer (2pcs)
F84025	7075Aluminum Spring Collars (2pcs)
F84026	7075Aluminum Front Shock Body (Hard Anodizing)(2pcs)
F84027	7075Aluminum Rear Shock Body (Hard Anodizing)(2pcs)
F84028	1/8 Scale Flywheel
F84029OP	7075Aluminum Front Brace (Dark Blue)
F84030OP	7075Aluminum Rear Brace (Dark Blue)
F84031OP	7075Aluminum (Dark Blue)
F84032OP	7075Aluminum Caster Block (Left & Right)(20°)
F84034OP	7075Aluminum Arm Mount D +2 (Dark Blue)
F84035OP	7075Servo Horn Steering (Dark Blue)
F84036OP	7075Servo Horn Throttle (Dark Blue)
F84037OP	7075Center Diff. Mount
F85001	Body Clip
F85002	Sevro Saver Spring
F85003	Sevro Saver Shaft(2pcs)
F85004	Universal Cross Drive Shaft Set (92.5mm)
F85005	Pin M3.0x16.8mm (4pcs)
F85006	Rear Upper Arm Ball Stud(4pcs)
F85007	Lower Arm Hinge Pin(70mm)(2pcs)
F85008	Upper Arm Hinge Pin(43mm)(2pcs)
F85009	Upper Arm Adjustment Screw(2pcs)
F85010	Sway Bar Ball Stud(4pcs)
F85011-1	Shock Ball Stud Offset 1mm for Front (2pcs)
F85011-2	Shock Ball Stud Offset 2mm for Rear (2pcs)
F85012	Hard Front Lower Suspension Shaft Screw (2pcs)
F85013	Spindle Carrier Hinge Insert (4pcs)
F85014	Spindle Carrier Hinge Pins (4pcs)
F85015	Differential Outdrive (2pcs)
F85016	Center Differential Outdrives (2pcs)
F85017	Front/Rear Differential Outdrives (2pcs)
F85018	Internal Differential Gear Set (4+2pcs)
F85019	Shock Pins (4)
F85020	Differential Cross Pins (6pcs)
F85021	Pin M2.2x9.8mm (4pcs)
F85022	Sevro Steering Turnbuckle M3x30mm (2pcs)
F85023	Shock Ball Stud 6xL6.7mm (4pcs)
F85024	Brake Pad Set (4pcs)
F85025	Brake Pad Spring(4pcs)
F85026	Brake Lever (2pcs)

PT No.	ITEM
F85027	Brake Cam Set
F85028	Brake Rotor Set (2pcs)
F85029	Center Rear Dogbone 115mm
F85030	Center Rear Dogbone 88mm
F85032	Rear Outter Hinge Pins (2pcs)
F85033	Camber Turnbuckle 5x45mm (2pcs)
F85034	Rear Upper Arm Ball Stud 7.0mm Hex (4pcs)
F85035-13	Clutch Bell (13T)
F85036	Exhaust Wire Mount Set
F85037	Steering Turnbuckle M4x40mm (2pcs)
F85038	Steering Turnbuckle Ball Set (4pcs)
F85040	Front Shock Shaft (2pcs)
F85041	Rear Shock Shaft (2pcs)
F85042	Hex Shanked Button M3x13.7mm (4pcs)
F85043	Down Stop Screw M4x10mm(4pcs)
F85044	1/8 Scale Flywheel Nut
F85045	I-Head Screw Thin M4x8mm (10pcs)
F85046-46	Center Gear 46T with Differential Seal
F85047-43	Crown Gear 43T with Differential Seal
F85048-13	Pinion Gear13T
F85049-10	Clutch Spring 1.0mm (3pcs)
F85050-20OP	Front Sway Bar 2.0mm
F85050-23	Front Sway Bar 2.3mm
F85050-25	Front Sway Bar 2.5mm
F85050-28OP	Front Sway Bar 2.8mm
F85051-24OP	Rear Sway Bar 2.4mm
F85051-26	Rear Sway Bar 2.6mm
F85051-28	Rear Sway Bar 2.8mm
F85051-30OP	Rear Sway Bar 3.0mm
F85052-H62	Shock Spring for Front Hard L=62mm(2pcs)
F85052-M62OP	Shock Spring for Front Medium L=62mm(2pcs)
F85052-S62OP	Shock Spring for Front Soft L=62mm(2pcs)
F85053-H80OP	Shock Spring for Rear Hard L=80mm (2pcs)
F85053-M80	Shock Spring for Rear Medium L=80mm (2pcs)
F85053-S80OP	Shock Spring for Rear Soft L=80mm (2pcs)
F89001	Servo Spring Dusty Protect Sponge(2pcs)
F89002	Differential Seals Set (2+1pcs)
F89003	Air Filter Foam (9pcs)
F89004-BK	Body Sticker-Black and White
F89004-PKOP	Body Sticker-Pink for Optional
F89004-OGOP	Body Sticker-Orange for Optional
F89004-YLOP	Body Sticker-Yellow for Optional
F89005-BK	Wing Sticker-Black and White
F89005-PKOP	Wing Sticker-Pink for Optional
F89005-OGOP	Wing Sticker-Orange for Optional
F89005-YGOP	Wing Sticker-Yellow for Optional
F89006	Body Shell Window Masks
F89007	SPARKO F8 1/8 Buggy User Manual



PT No.	ITEM
BF030625	Flange Ball Bearing 3x6x2.5mm (4pcs)
BO050825	Ball Bearing 5x8x2.5mm (4pcs)
BO051004	Ball Bearing 5x10x4mm (4pcs)
BO051304	Ball Bearing 5x13x4mm (4pcs)
BO061003	Ball Bearing 6x10x3mm (4pcs)
BO081605	Ball Bearing 8x16x5mm (4pcs)
NF03BK	Flanged Locknut M3 (10pcs)
NO025SL	Nut Lock M2.5mm (10pcs)
NO03BK	Nut Lock M3 (10pcs)
NO04BK	Nut Lock M4 (10pcs)
SB02505BK	Ball Screw M2.5x5mm (10pcs)
SB02508BK	Ball Screw M2.5x8mm (10pcs)
SB0305BK	Ball+I16 Screw M2.5x8+F15:M15mm (10pcs)
SB0306BK	Ball Screw M3x6mm (10pcs)
SB0308BK	Ball Screw M3x8mm (10pcs)
SB0310BK	Ball Screw M3x10mm (10pcs)
SB0312BK	Ball Screw M3x12mm (10pcs)
SB0314BK	Ball Screw M3x14mm (10pcs)
SB0315BK	Ball Screw M3x15mm (10pcs)
SB0316BK	Ball Screw M3x16mm (10pcs)
SB0320BK	Ball Screw M3x20mm (10pcs)
SB0323BK	Ball Screw M3x23mm (10pcs)
SB0325BK	Ball Screw M3x25mm (10pcs)
SC0206BK	Cap Screw M2x6mm (10pcs)
SC03012BK	Cap Screw M3x12mm(10pcs)
SC0308BK	Cap Screw M3x8mm (10pcs)
SC0310BK	Cap Screw M3x10mm (10pcs)
SC0312BK	Cap Screw M3x12mm (10pcs)
SC0316BK	Cap Screw M3x16mm (10pcs)
SC0322BK	Cap Screw M3x22mm (10pcs)
SC0323BK	Cap Screw M3x23mm (10pcs)
SC0325BK	Cap Screw M3x25mm (10pcs)
SC0328BK	Cap Screw M3x28mm (10pcs)
SF02046BK	Flat Screw M2.0x4.6mm 1.5 Hex (10pcs)
SF0306BK	Flat Screw M3x6mm (10pcs)
SF0308BK	Flat Screw M3x8mm (10pcs)
SF0310BK	Flat Screw M3x10mm (10pcs)
SF0312BK	Flat Screw M3x12mm (10pcs)
SF0314BK	Flat Screw M3x14mm (10pcs)
SF0335BK	Flat Screw M3x35mm (10pcs)
SF0408BK	Flat Screw M4x8mm (10pcs)
SF0410BK	Flat Screw M4x10mm (10pcs)
SF0414BK	Flat Screw M4x14mm (10pcs)
SF0416BK	Flat Screw M4x16mm (10pcs)
SS0303BK	Set Screw M3x3mm Set (10pcs)
SS0304BK	Set Screw M3x4mm Set (10pcs)
SS0404BK	Set Screw M4x4mm Set (10pcs)
SS0504BK	Set Screw M5x4mm Set (10pcs)
WO0260660	Shock Piston Washer 2.6x6x0.6mm (10pcs)
WO030801	Shim 3x8x1mm (10pcs)
WO030510	Shim 3x5x0.1mm (10pcs)
WO0351020	Differential Shim 3.5x10x0.2mm (12pcs)
WO050840	Shim 5x8xT0.4mm (10pcs)
WO050880	Shim 5x8xT0.8mm Shim (10pcs)
WO051230	Differential Shim 5x12x0.3mm (6pcs)
WO060830	Shim 6x8x0.3mm (10pcs)
WO061020	Differential Shim 6x10x0.2mm (10pcs)
WO061030	Differential Shim 6x10x0.3mm (10pcs)
WO081020	Hex Shim 8x10x0.2mm (10pcs)
WO131620	Differential Shim 13x16x0.2mm (10pcs)
WS0305510	Spring Washer M3x5.5x1mm(10pcs)

# LEVO

## FORMULA EIGHT



**SPARKO**

[WWW.SPARKOFORMULA.EIGHTS.COM](http://WWW.SPARKOFORMULA.EIGHTS.COM)