



Formula

FORMULA EIGHT ELECTRIC

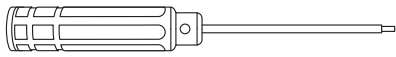
1/8 ELECTRIC PRO
BUGGY KIT



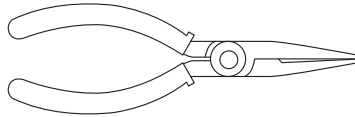
INSTRUCTION
MANUAL

MIT
MADE IN TAIWAN

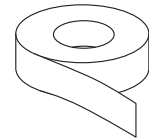
TOOLS / MISCELLANEOUS (NOT INCLUDED)



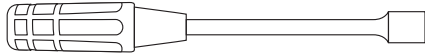
Hex Wrenches(1.5mm / 2.0mm / 2.5mm)



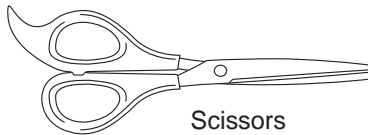
Needle Nose Pliers



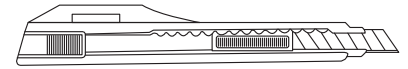
Glass or Vinyl Tape



Box Wrench(5.5mm / 7mm / 10mm)



Scissors



Hobby Knife

OPERATION GUIDE



Assemble both left
and right sides



Assemble
Front and Rear



Assemble
for 2 sets



Thread Lock



Grease



Pure Silicone Oil

SAFETY PRECAUTIONS

The SPARKO F8e is a high performance radio control model which needs to be operated with caution and common sense.

The F8e Kit is not intended for children under the age of 14 without adult supervision.

SPARKO shall not be held liable for any loss or damages, whether direct, indirect, act of nature, arising from the abuse or misuse of this product or any other product required while operating this model.

- Always keep your nitro fuel in a cool area and never use near flame, sparks, or while smoking.
- Always run your model in a well ventilated area outdoors. Never run your model indoors.
- This model is controlled by your radio controller and is sometimes vulnerable to interference from many outside sources. This interference can cause a loss of control so it is necessary to operate this model in an open area to avoid personal, or property damage. Always ensure turning on your radio first.
- Keep all the parts included in the package out of reach of children.
- This model contains many fast rotating parts. Never touch them during operation.
- Follow the instructions included with your radio gear.
- Never operate your model near people or property. The speed of this model has the potential to injure people and or damage property.
- Always use original SPARKO spare parts and option parts.
- Always ensure that the buggy is in proper working condition before use.

INDEX

BAG A	Manual, Stickers and Body Shell Parts	1
	Body Shell	26~28
	4S stander battery configuration / Battery Straps	29
BAG B	Included Items	1
BAG C	Front / Rear and Diff. Sets	2
	Center Differential Set	3
BAG D	Front Gear Box	4
	Rear Gear Box	5
BAG E	Front Lower Arms	5~6
	Front Sway Bar	6~7
BAG F	Front Upper Arms	8
BAG G	Front Caster/Steering Blocks	8~9
BAG H	Servo Saver	10
BAG I	Rear Arms	11
	Rear Sway Bar	12~13
BAG J	Rear Hubs / Upper Arm Linkage Sets	13~15
	Tall Wing Mount	15
	Tires	26
BAG K	Side Guards / Front Bumper	16
BAG L	Motor Mounts	17~18
BAG M	ESC Mount / Battery Mounts	19
BAG N	Receiver Box / Steering Servo Horn Set	20~21
	Steering Linkage Sets	22
BAG O	Front / Rear Shocks	23~24
BAG P	Wing	25
FACTORY SETUP SHEET	30
SETUP SHEET	31
SPARE PART LIST	32~33
UNIVERSAL PART LIST	34

BAG A

There are 2 packs for Bag A. One is for parts 1031-L/R and 1031-2/3. Another one is for Manual, Sticker and so on.

1023 Antenna Tube Set x 1

SS0303BK Set Screw M3x3mm x 1

SB0308BK Ball Screw M3x8mm x1

5001 Body Clip x 2

1031-L/R Up arm wing set x1

1031 Bulkhead Wing x 2

9006 Body Shell Window Masks x 1

9009 Hook & Loop Battery Straps for 14.8V x 2

9004-BK Body Sticker-Black and White

9005-BK Wing Sticker-Black and White

BAG B

1.5mm
2mm
2.5mm

L Shape Hex wrench

Glow plug wrench

Grease

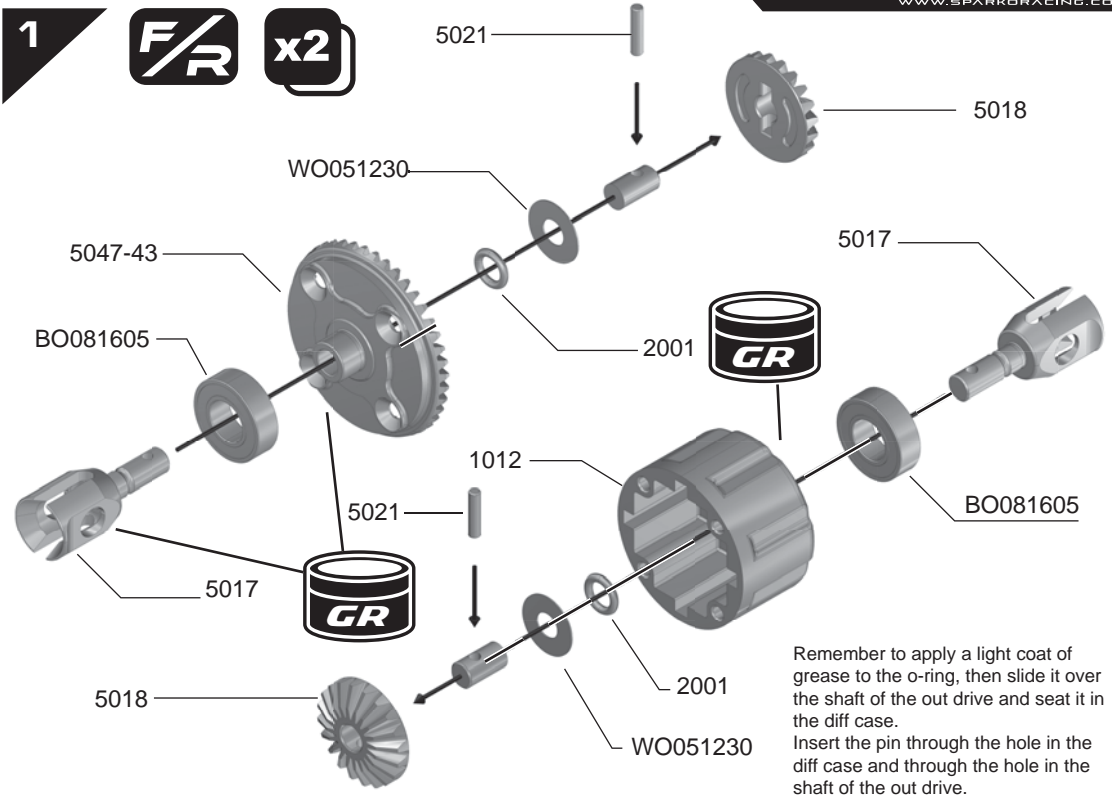
Air Filter Oil 600 CPS 60cc




Air Filter Oil 5000 CPS 30cc

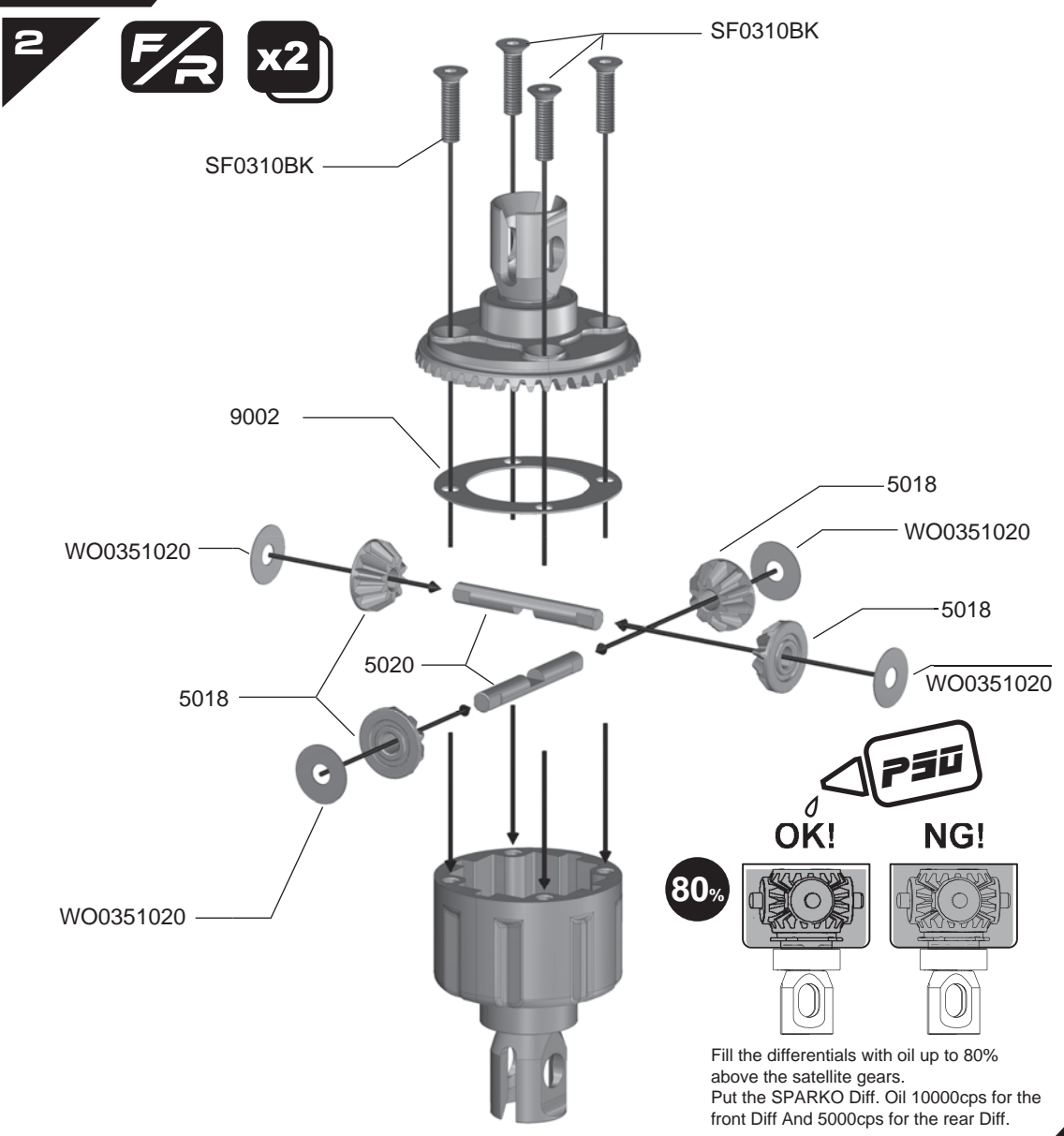
Air Filter Oil 10000 CPS 30cc

BAG C



-  5021
Pin M2.2x9.8mm x 4
-  2001
Differential O-Rings x 4
-  WO051230
Differential Shim
5x12x0.3mm x 4
-  BO081605
Ball Bearing
8x16x5mm x 4






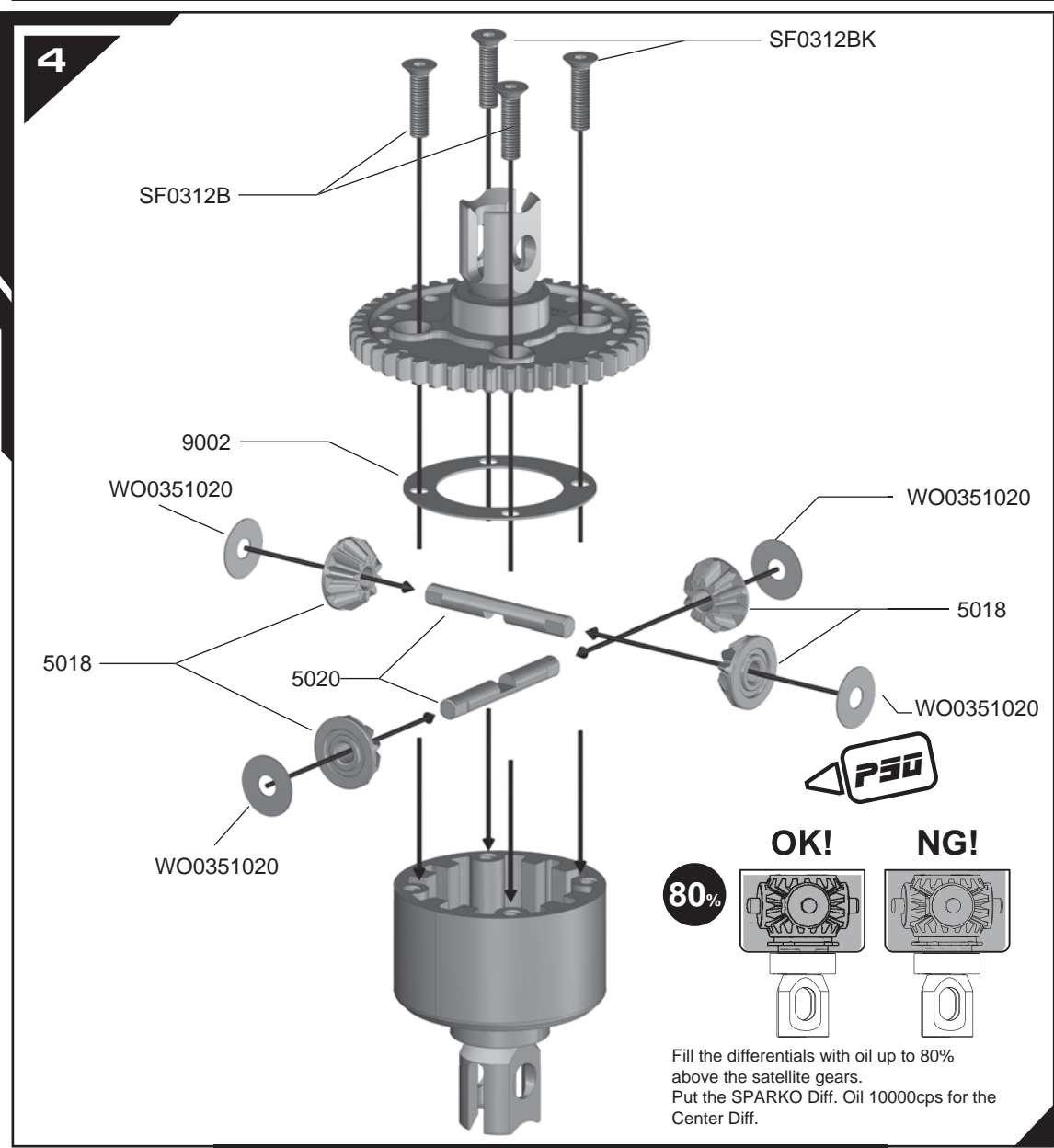
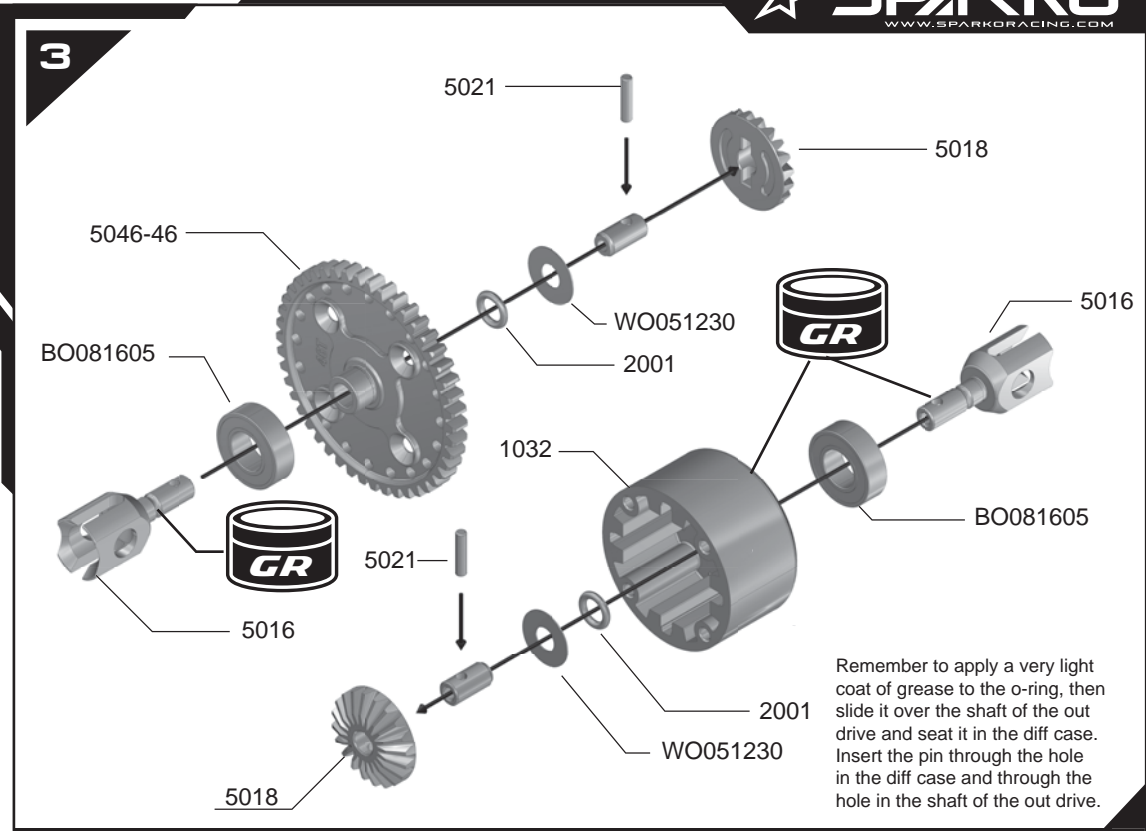
-  SF0310BK
Flat Screw M3x10mm x 8
-  5020
Differential Cross Pins x 4
-  WO0351020
Differential Shim
3.5x10x0.2mm x 8



BAG C

-  5021
Pin M2.2x9.8mm x 2
-  2001
Differential O-Rings x 2
-  BO081605
Ball Bearing 8x16x5mm x 2
-  WO051230
Differential Shim 5x12x0.3mm x 2

-  SF0312BK
Flat Screw M3x12mm x 4
-  5020
Differential Cross Pins x 2
-  WO0351020
Differential Shim 3.5x10x0.2mm x 4



BAG D

5 FRONT



SS0504BK
Set Screw M5x4mm x1



SF0314BK
Flat Screw M3x14mm x 2



BO051304
Ball Bearing 5x13x4 x2



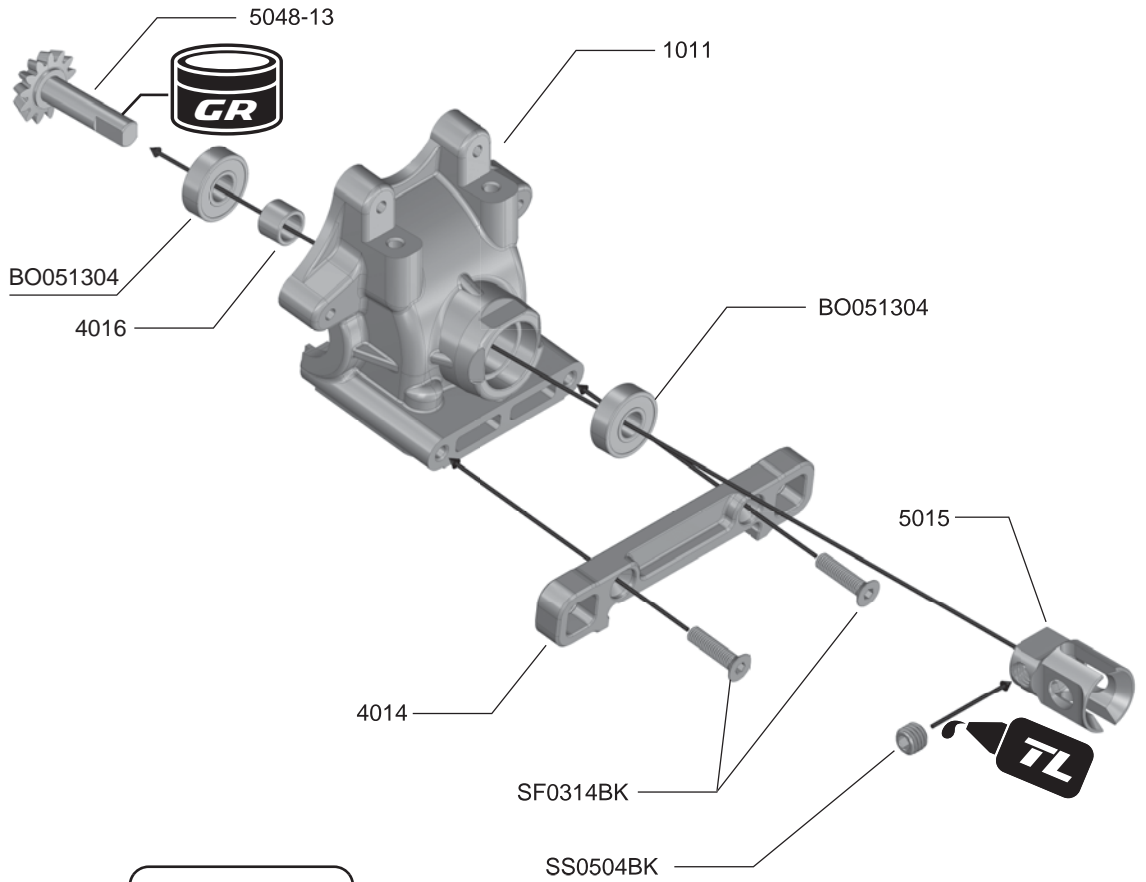
WO131620
Differential Shim
13x16x.2mm x 7



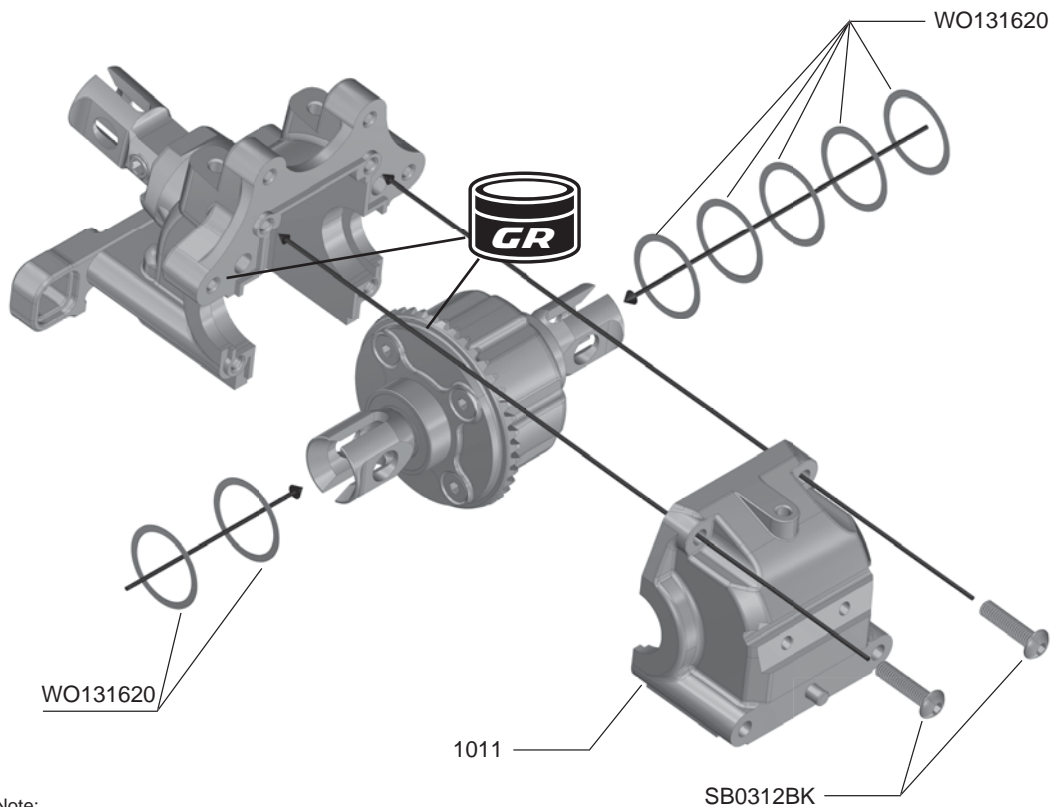
4016
Pinion Gear Stopper
5x7x5.1mm x 1



SB0312BK
Ball Screw M3x12mm x 2



⚠ Keep part (Sway Bar Cover) for next step

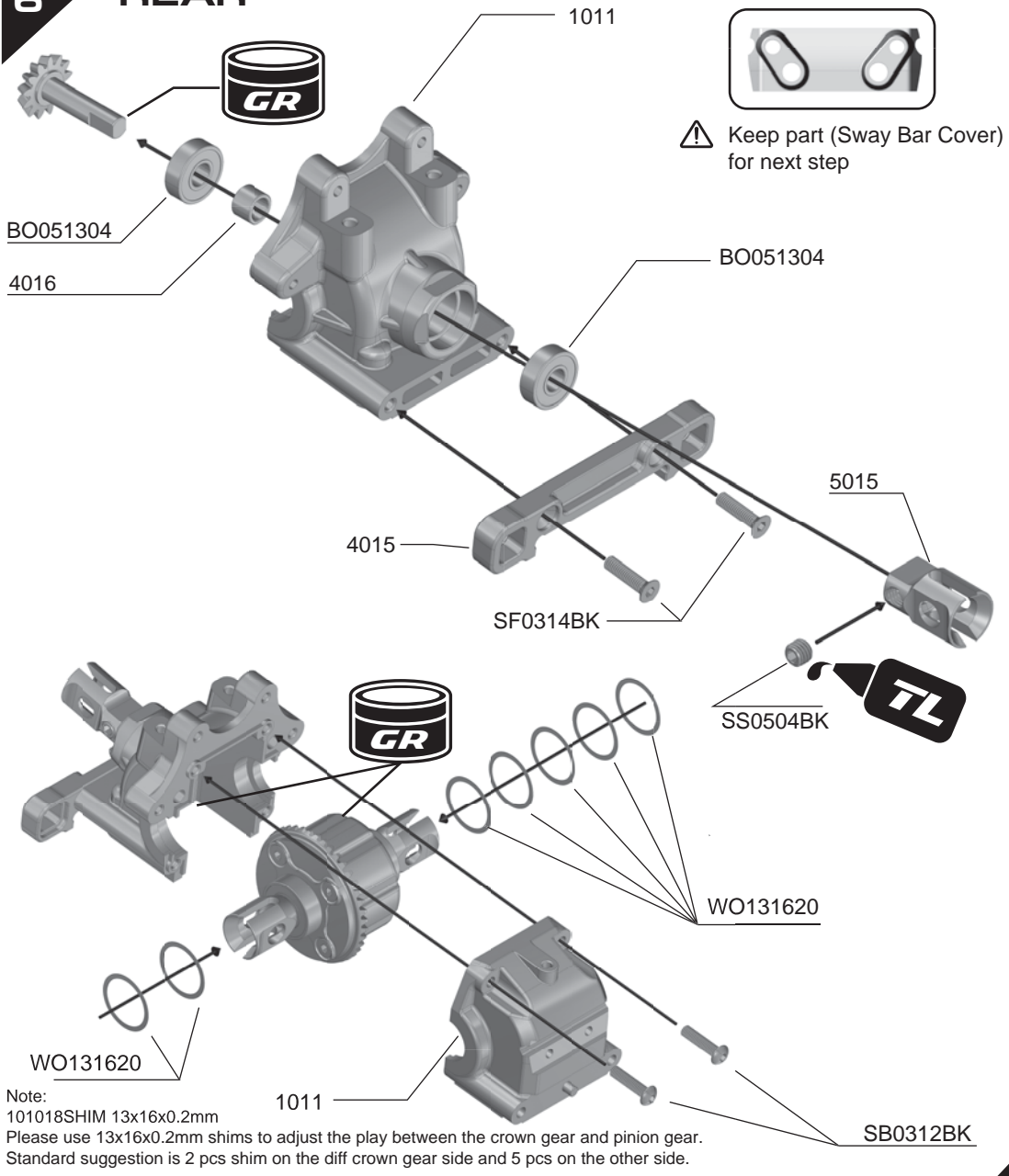


Note:
Please use WO131620 13x16x0.2mm shims to adjust the space between the crown gear and pinion gear.
Standard suggestion is 2 pcs shim on the diff crown gear side and 5 pcs on the other side.

BAG D

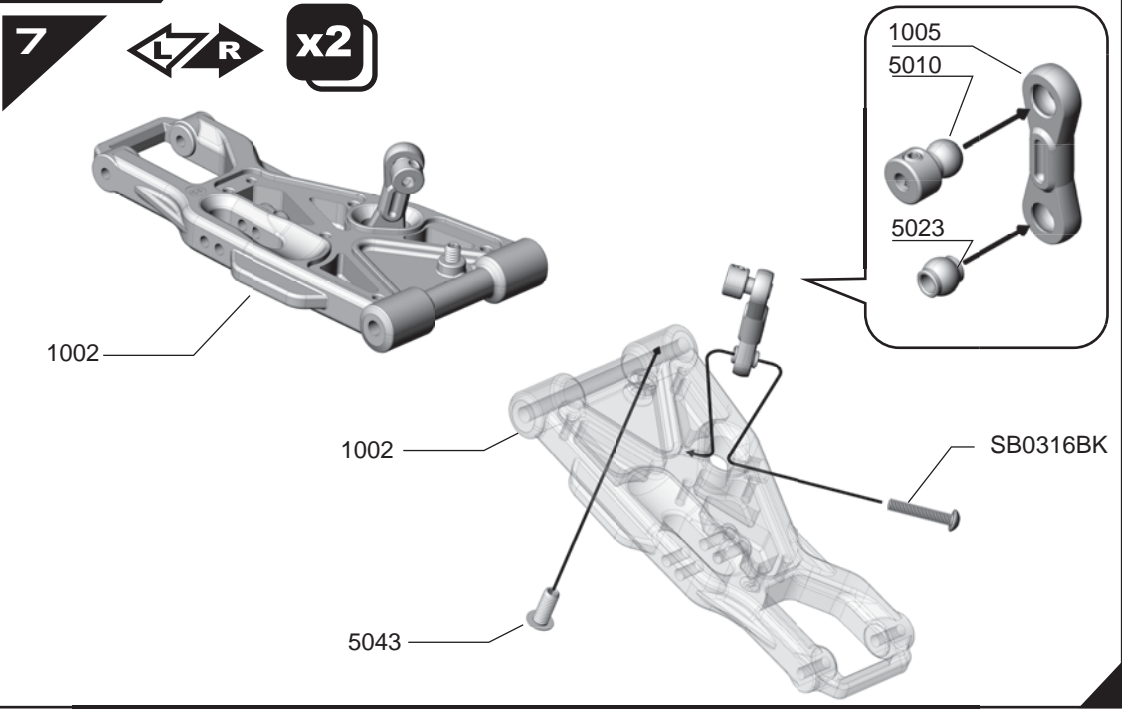
-  SS0504BK
Set Screw M5x4mm x 1
-  SF0314BK
Flat Screw M3x14mm x 2
-  BO051304
Ball Bearing 5x13x4mm x 2
-  WO131620
Differential Shim
13x16x0.2mm x 7
-  4016
Pinion Gear Stopper
5x7x5.1mm x 1
-  SB0312BK
Ball Screw M3x12mm x 2

6 REAR



BAG E

-  SB0316BK
Ball Screw M3x16mm x 2
-  5043
Down Stop Screw M4x10mm x 2



BAG E

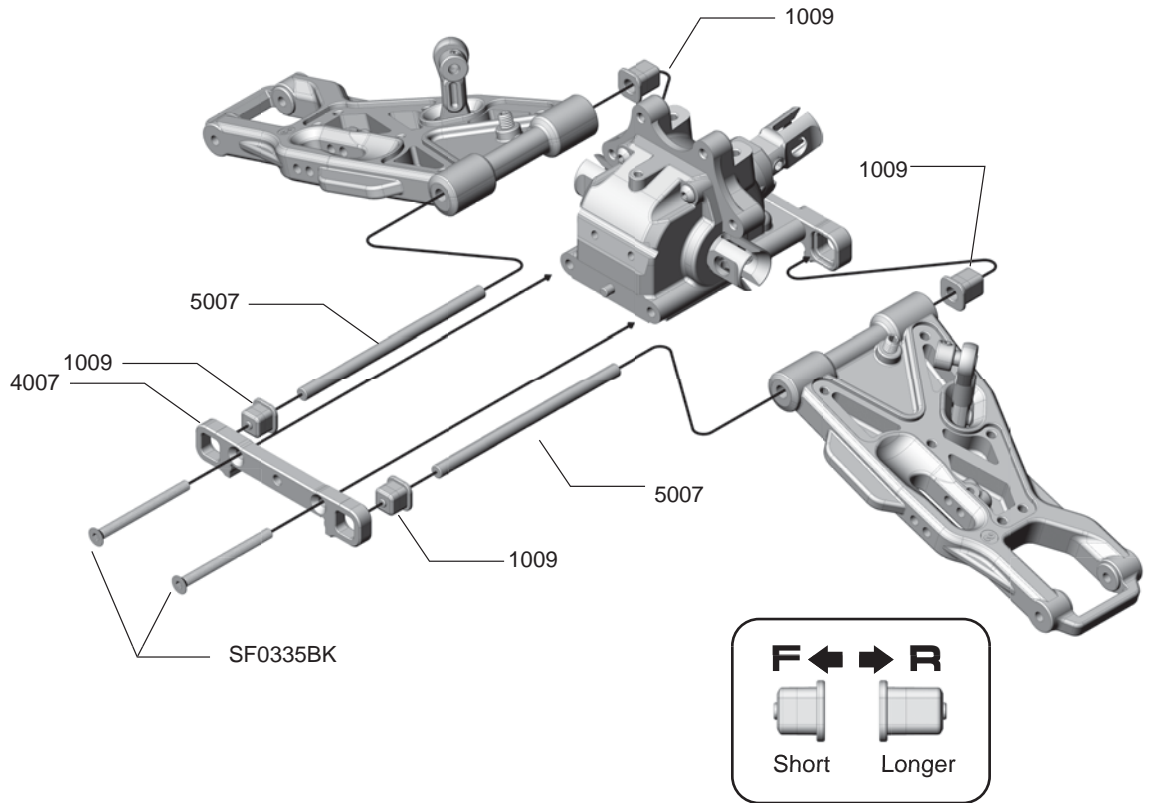
8



SF0335BK
Flat Screw
M3x35mm x 2



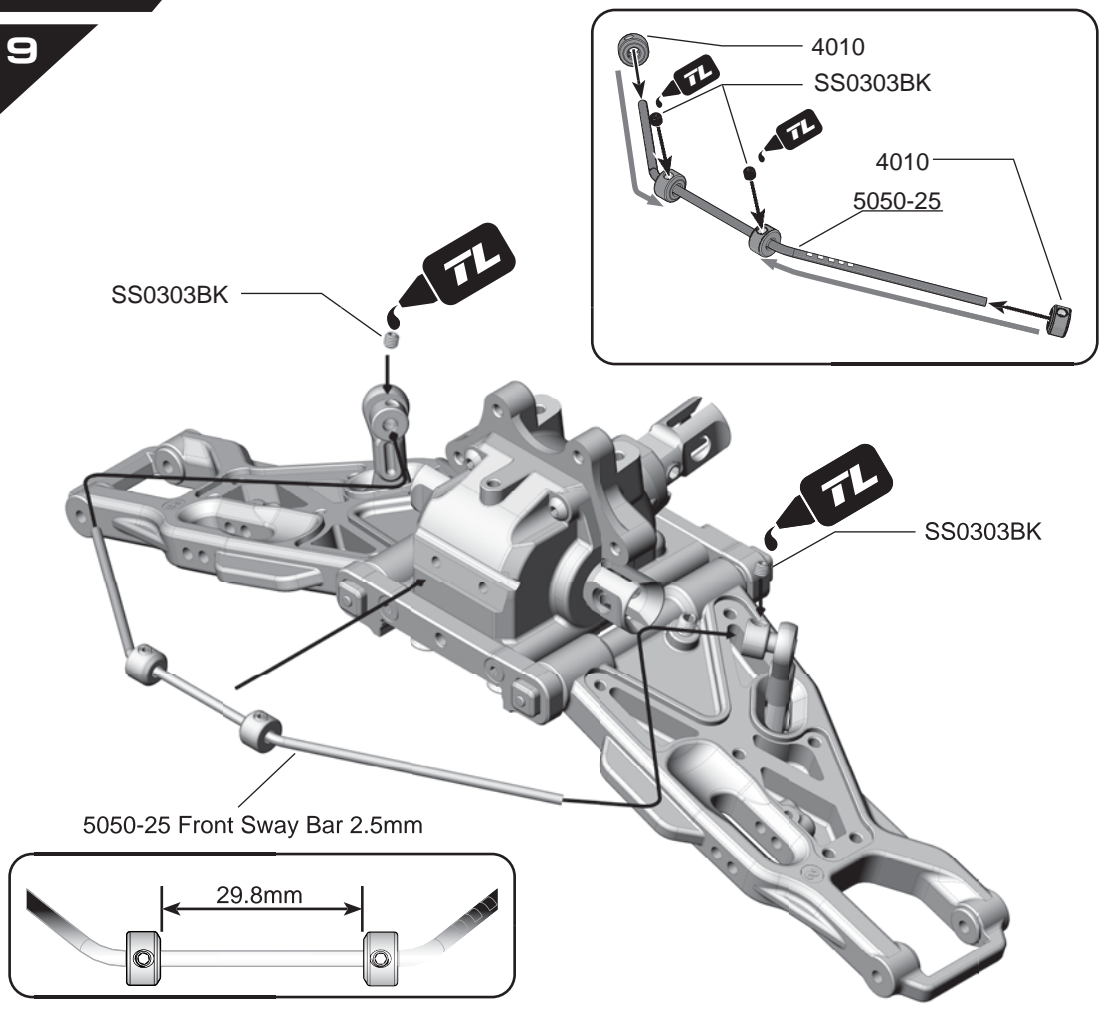
5007
Lower Arm Hinge Pin (70mm) x 2



9



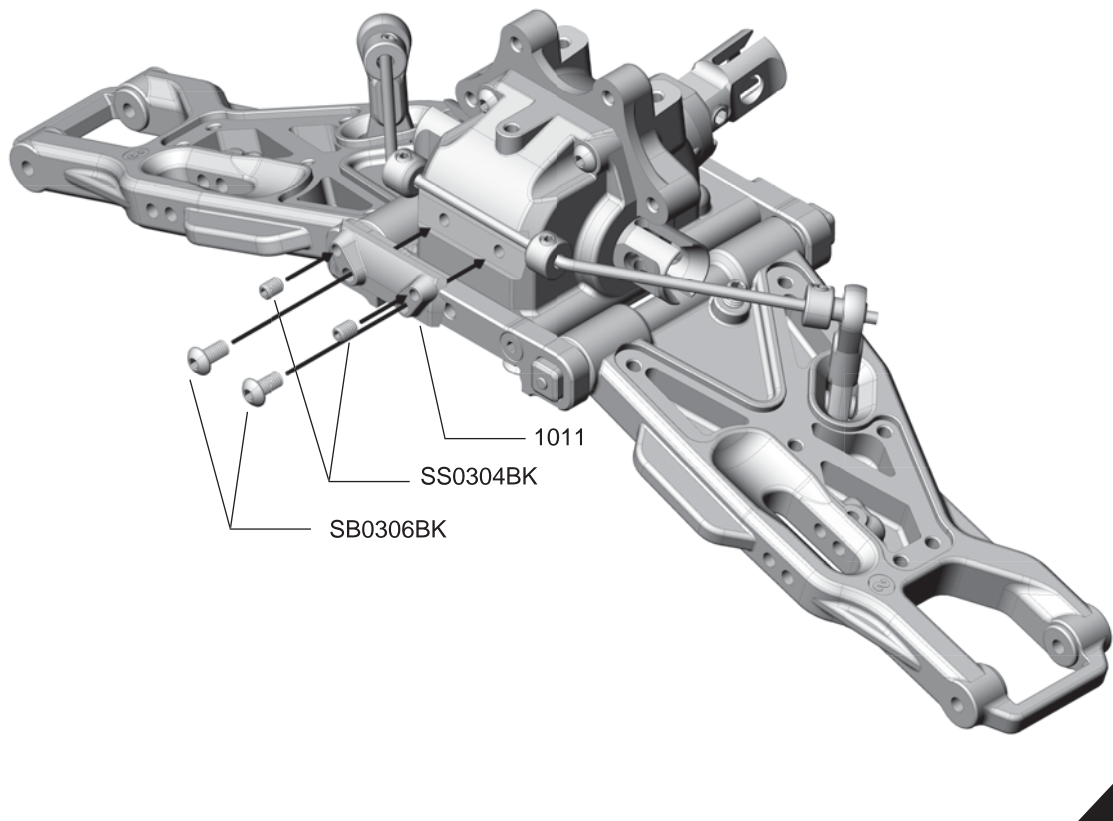
SS0303BK
Set Screw M3x3mm x 4



BAG E

10

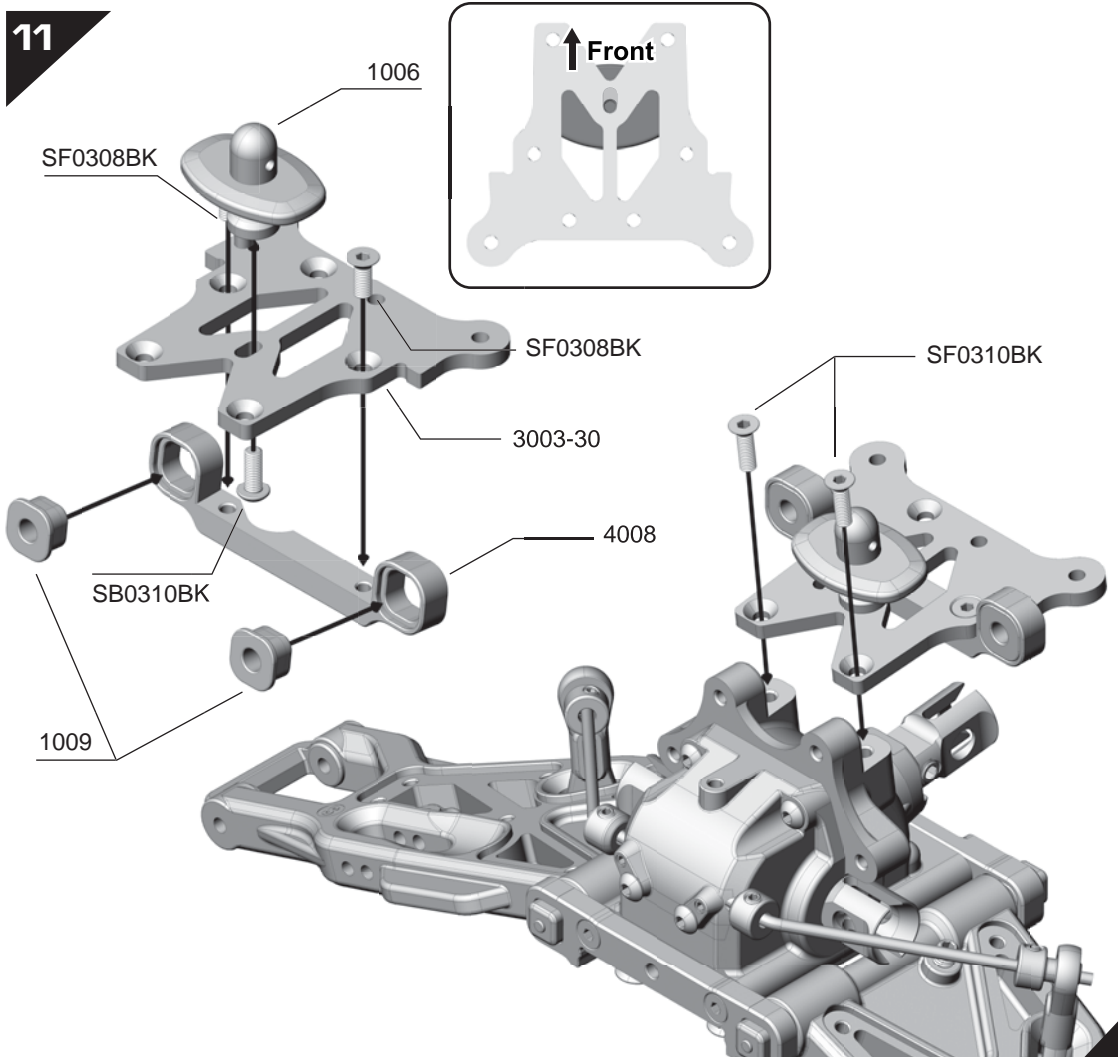
-  SS0304BK
Set Screw M3x4mm x 2
-  SB0306BK
Ball Screw M3x6mm x 2



BAG F

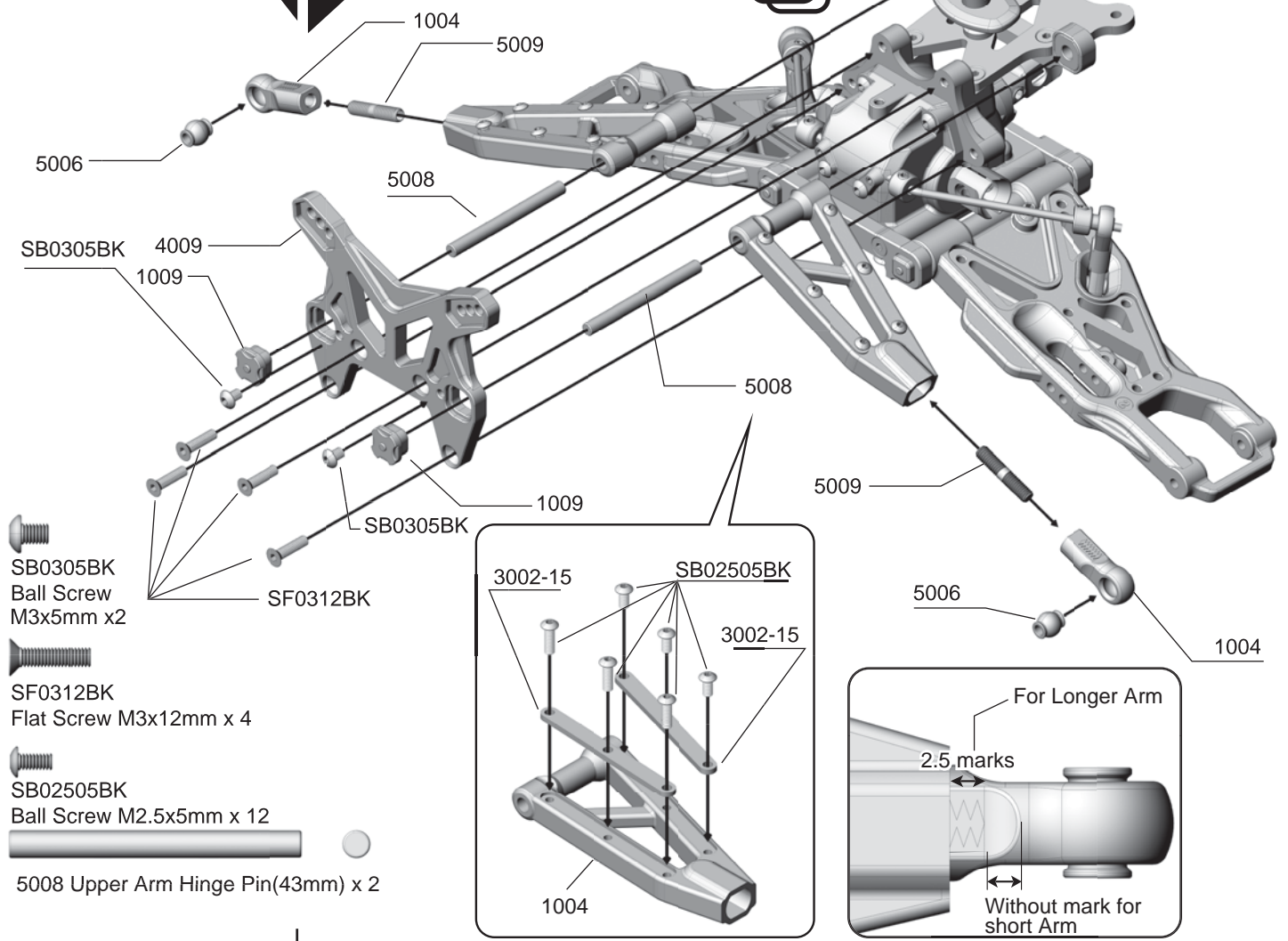
11

-  SB0310BK
Ball Screw M3x10mm x1
-  SF0310BK
Flat Screw M3x10mm x2
-  SF0308BK
Flat Screw M3x8mm x2



BAG F

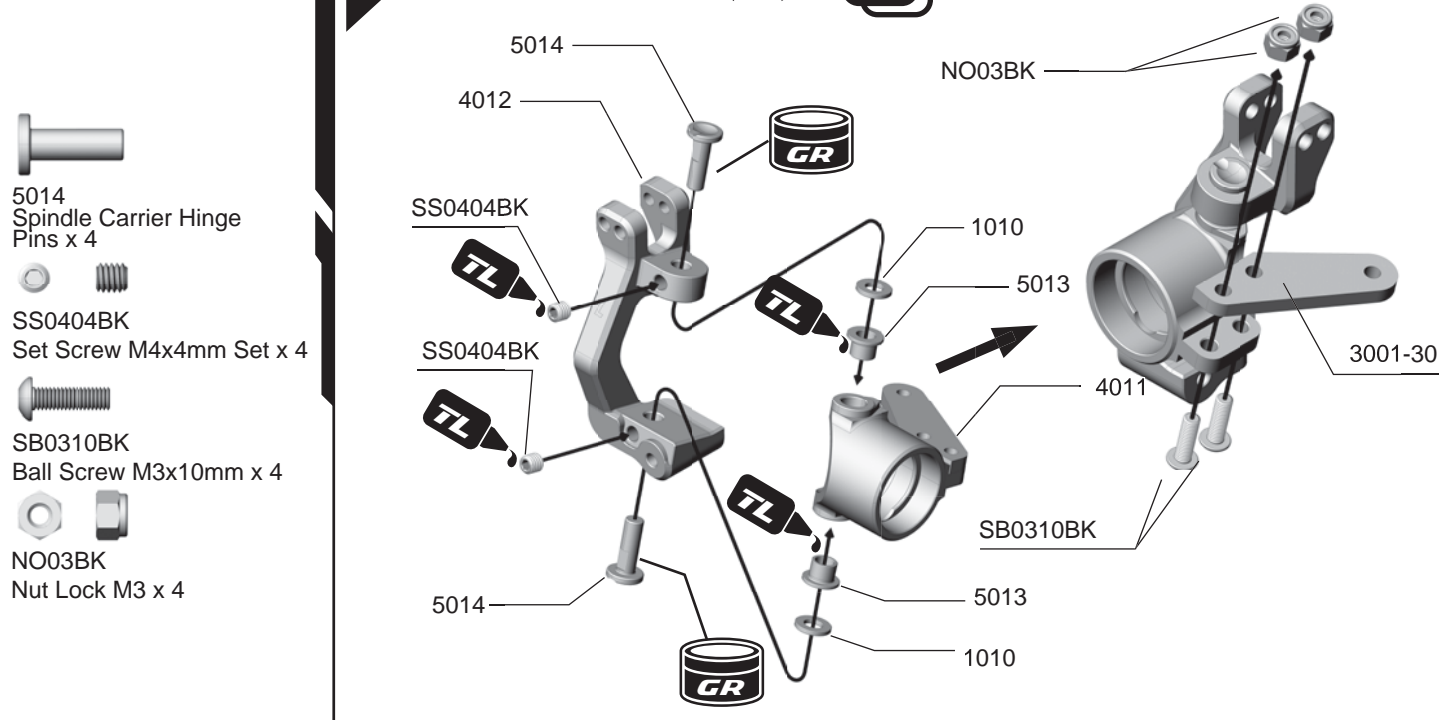
12 **L/R** **x2**



- SB0305BK Ball Screw M3x5mm x2
- SF0312BK Flat Screw M3x12mm x 4
- SB02505BK Ball Screw M2.5x5mm x 12
- 5008 Upper Arm Hinge Pin(43mm) x 2





BAG G

13 **L/R** **x2**

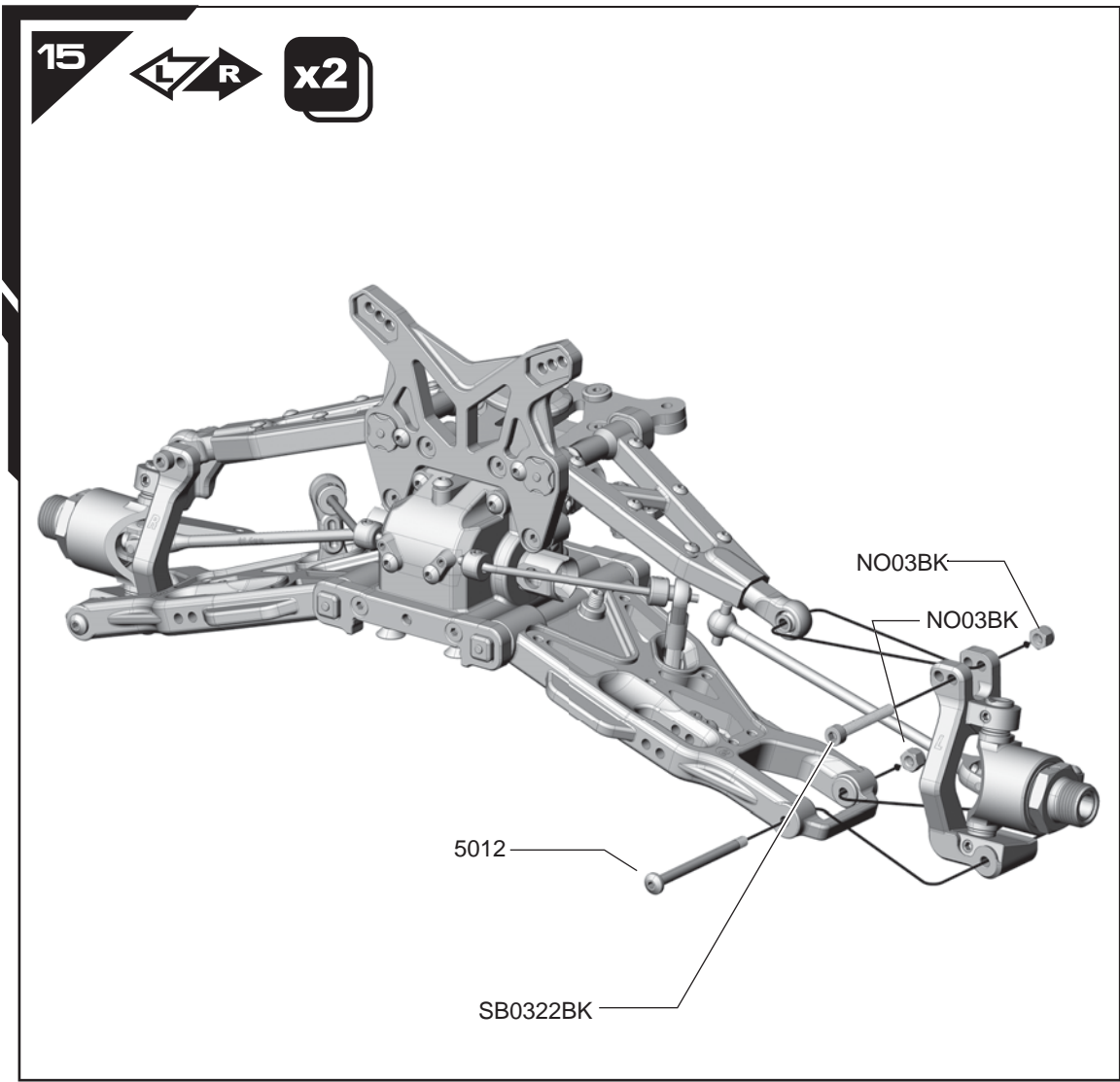
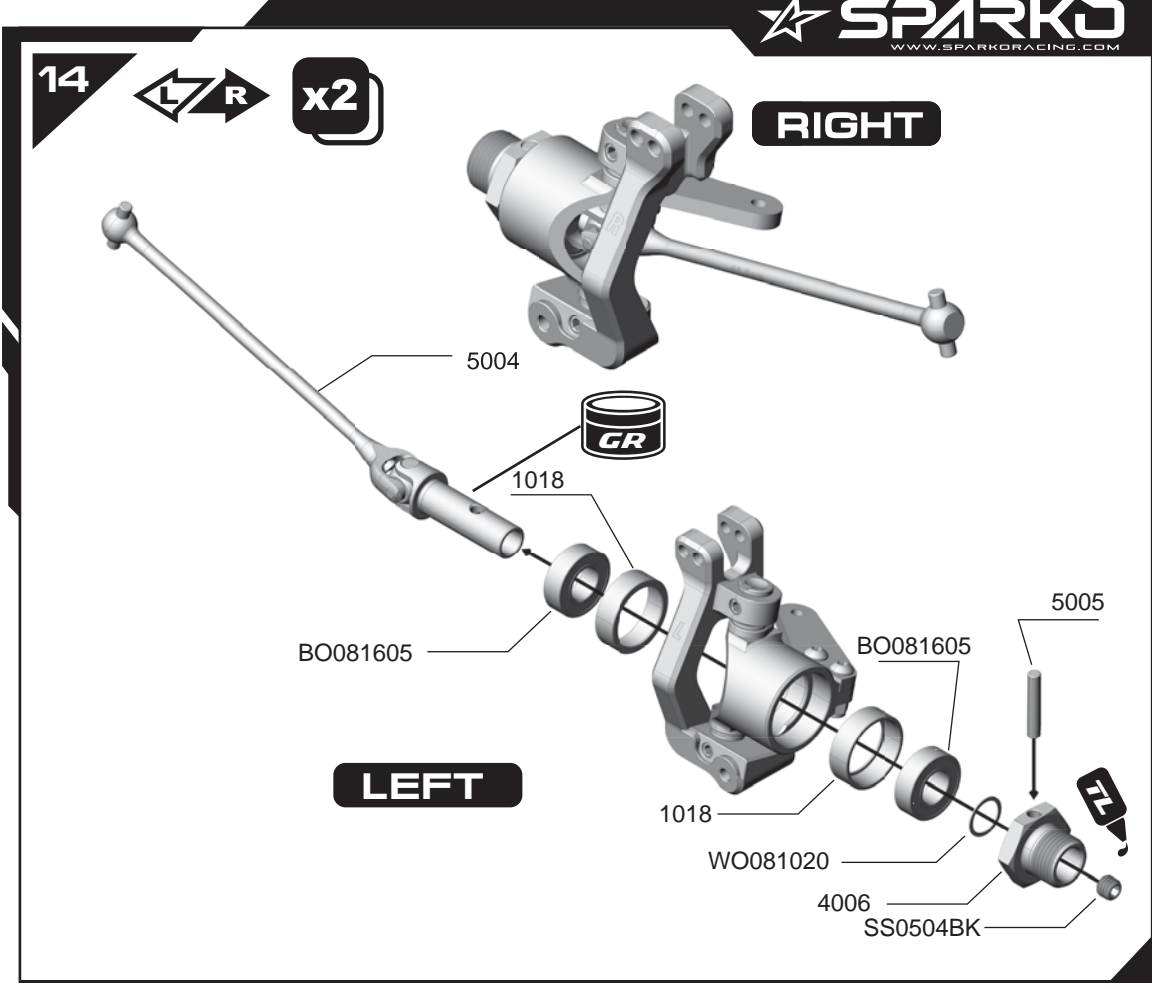


- 5014 Spindle Carrier Hinge Pins x 4
- SS0404BK Set Screw M4x4mm Set x 4
- SB0310BK Ball Screw M3x10mm x 4
- NO03BK Nut Lock M3 x 4

BAG G

- 
BO081605
Ball Bearing 8x16x5mm x 4
- 
SS0504BK
Set Screw M5x4mm x 2
- 
5005
Pin M3.0x16.8mm x 2
- 
WO081020
Hex Shim 8x10x0.2mm x 2

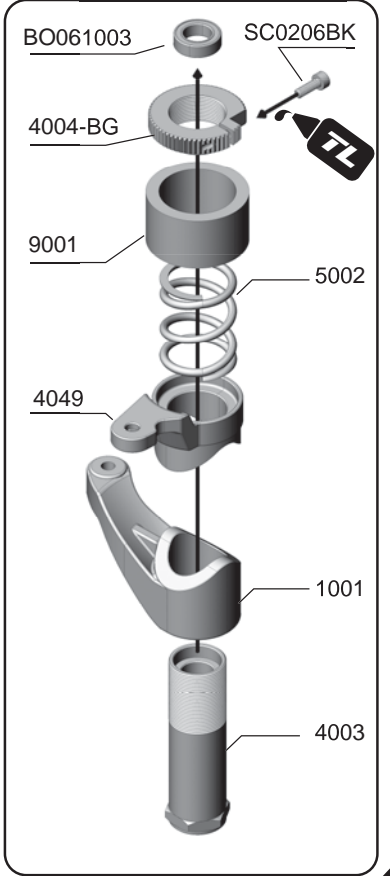
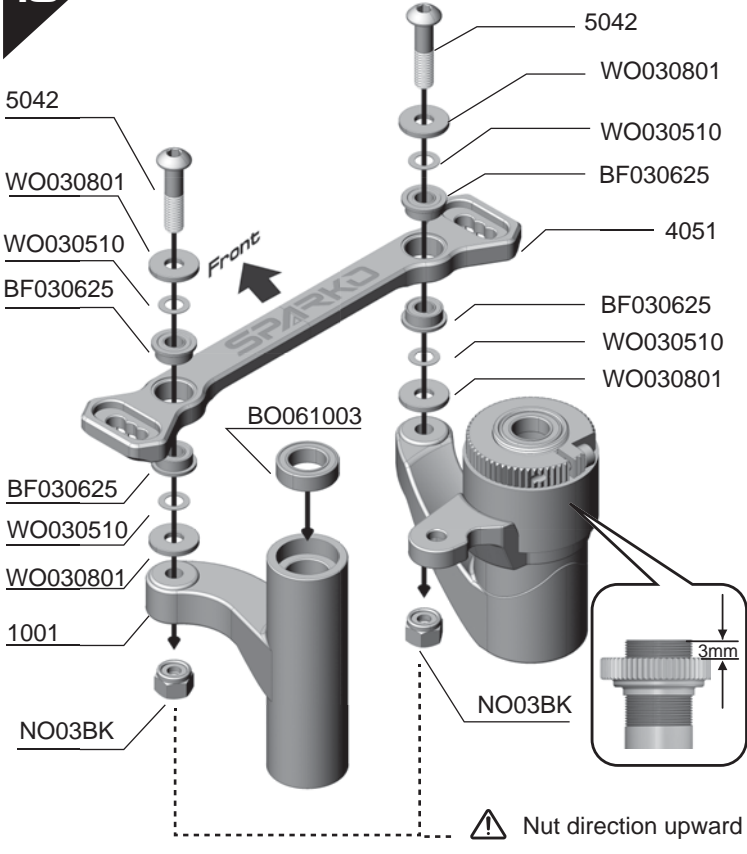
- 
5012
Hard Front Lower Suspension
Shaft Screw x 2
- 
SB0322BK
Ball Screw M3x22mm x 2
- 
NO03BK
Nut Lock M3 x 4






BAG H

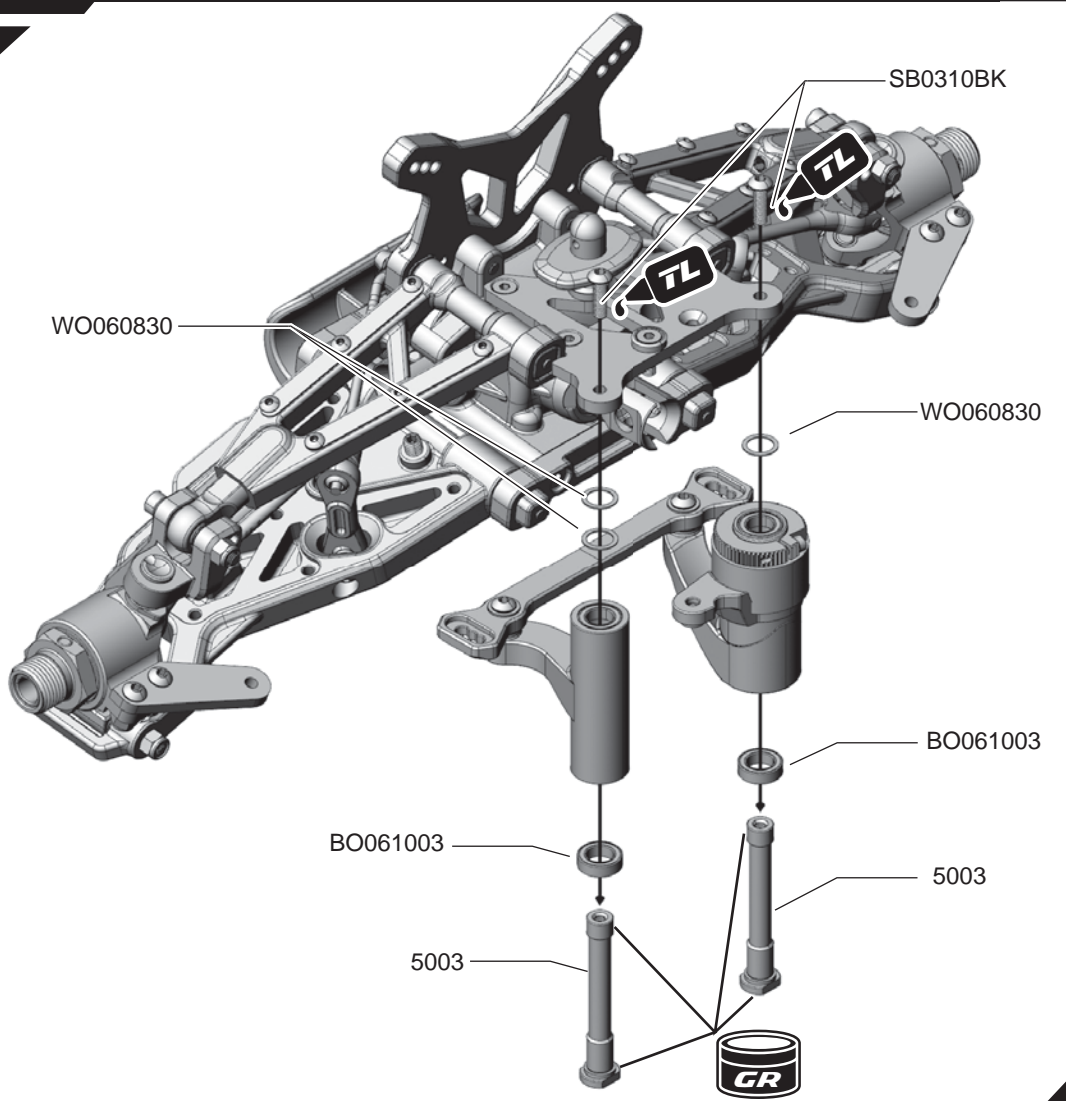
16

-  NO03BK Nut Lock M3 x 2
-  WO030801 Shim 3x8x1mm x 4
-  WO030510 Shim 3x5x0.1mm x 4
-  BF030625 Flange Ball Bearing 3x6x2.5mm x 4
-  5042 Hex Shanked Button M3x13.7mm x2
-  BO061003 Ball Bearing 6x10x3mm x 2
-  SC0206BK Cap Screw M2x6mm x 1



-  SB0310BK Ball Screw M3x10mm x 2
-  BO061003 Ball Bearing 6x10x3mm x 2
-  WO060830 Shim 6x8x0.3mm x 3

17



BAG I

18



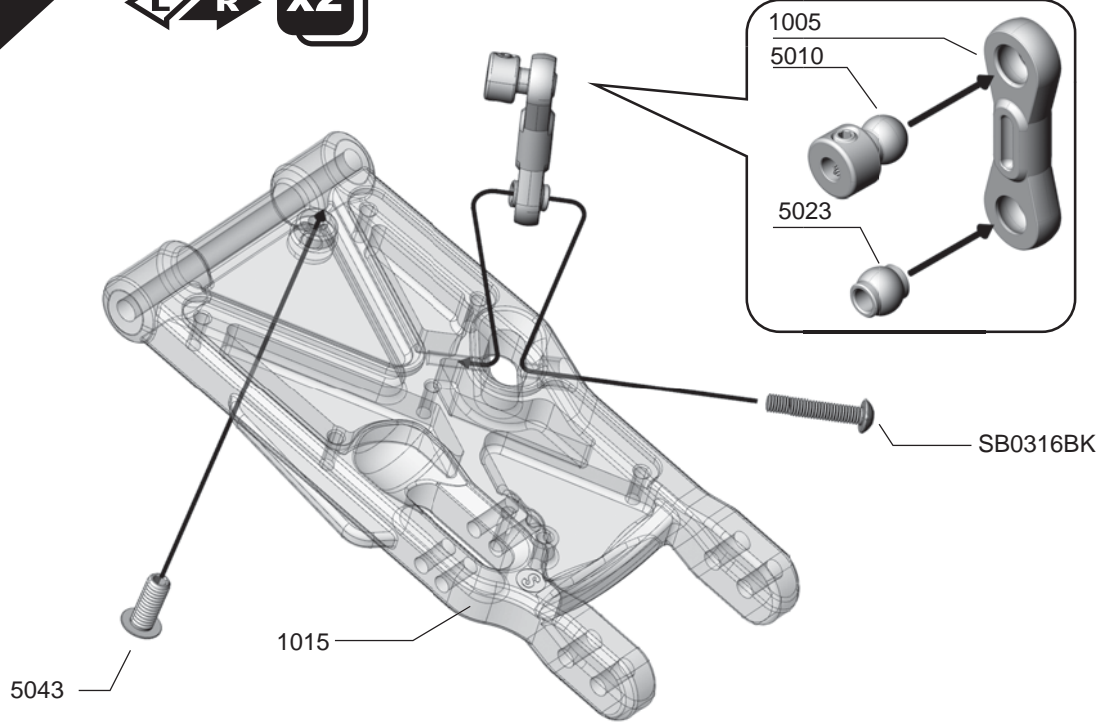
x2



SB0316BK
Ball Screw M3x16mm x 2



5043
Down Stop Screw
M4x10mm x 2



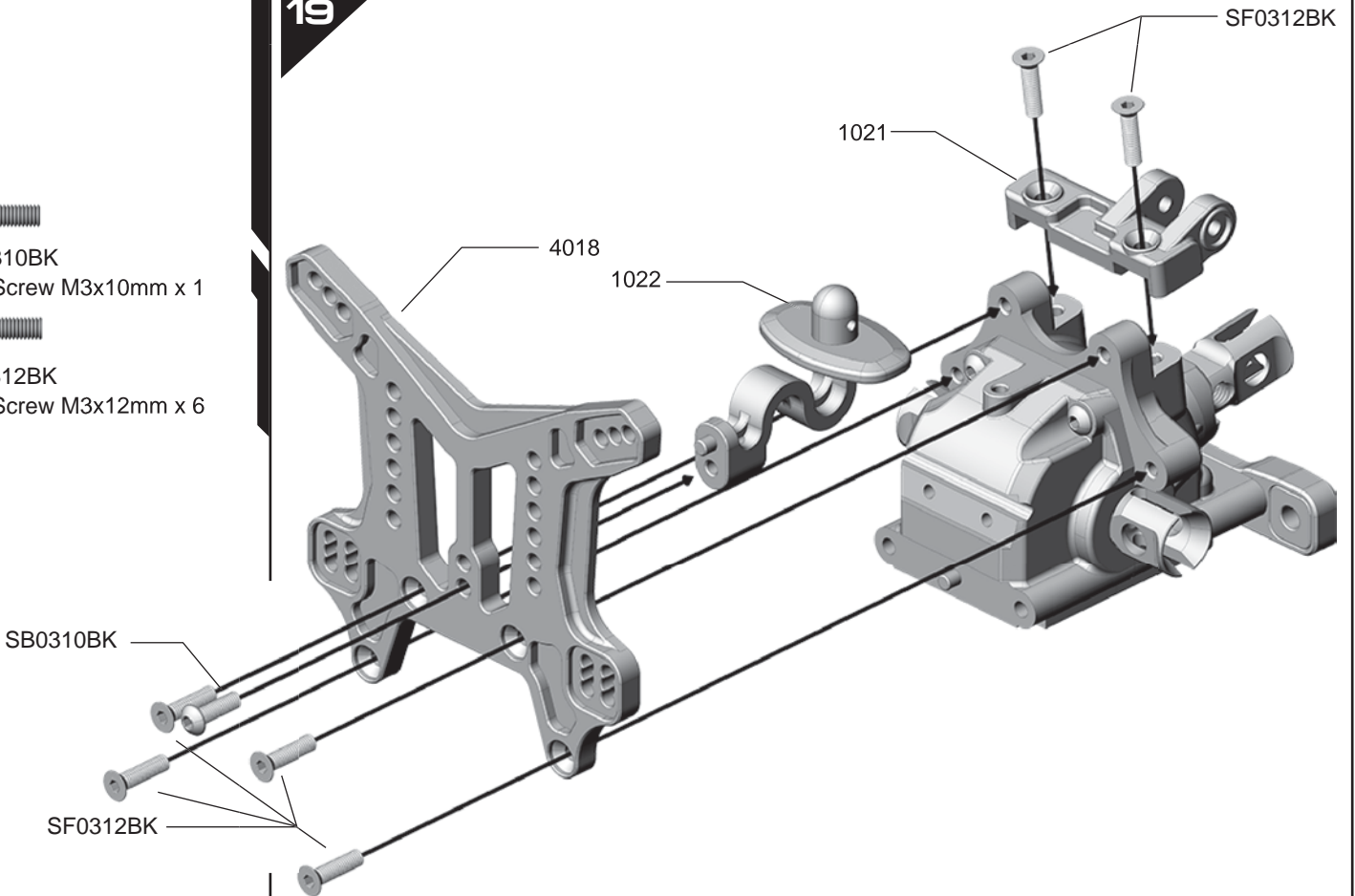
19



SB0310BK
Ball Screw M3x10mm x 1



SF0312BK
Flat Screw M3x12mm x 6



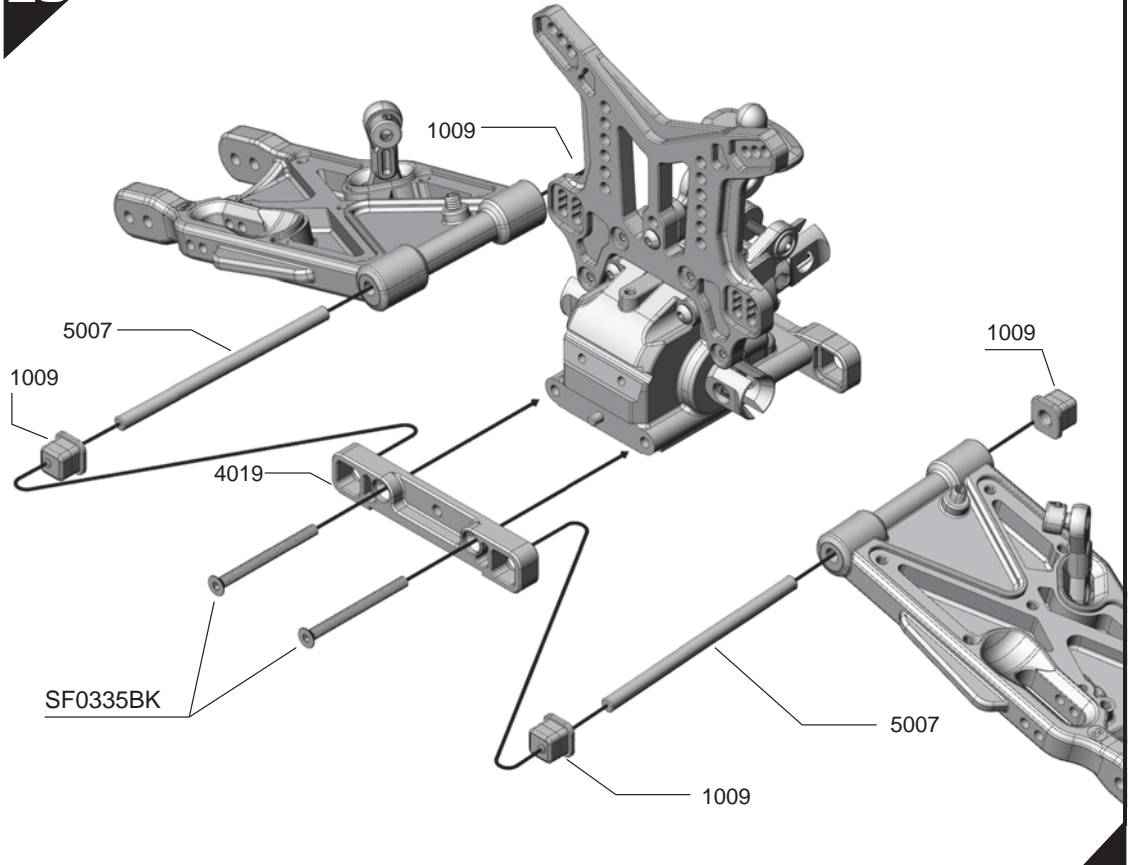
BAG 1

20

SF0335BK
Flat Screw M3x35mm x 2

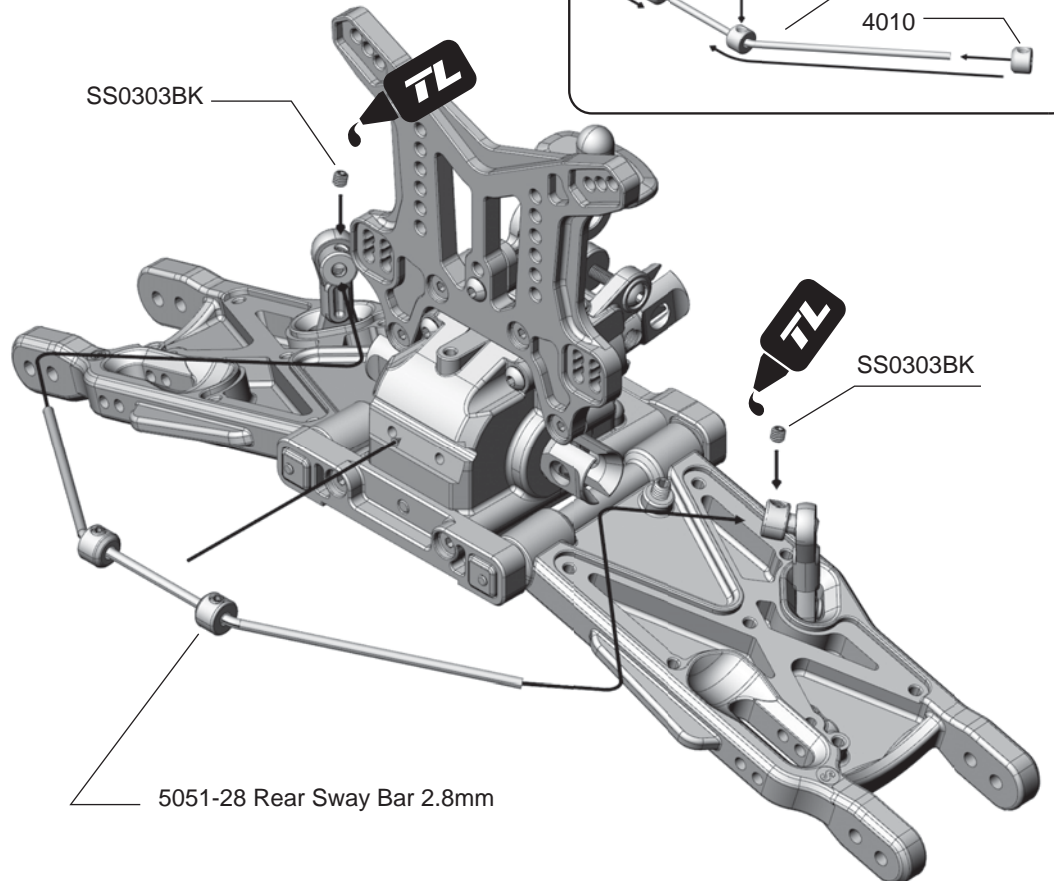
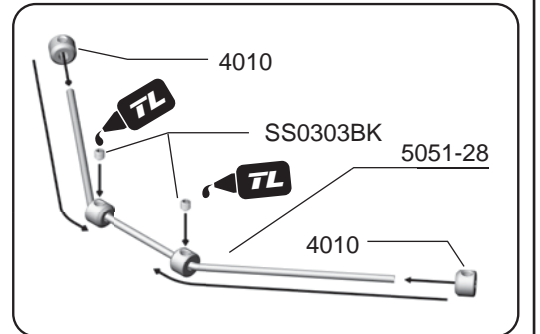
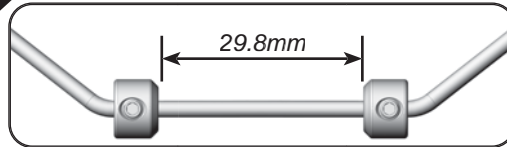


5007
Lower Arm Hinge Pin x 2



21

SS0303BK
Set Screw M3x3mm x 4

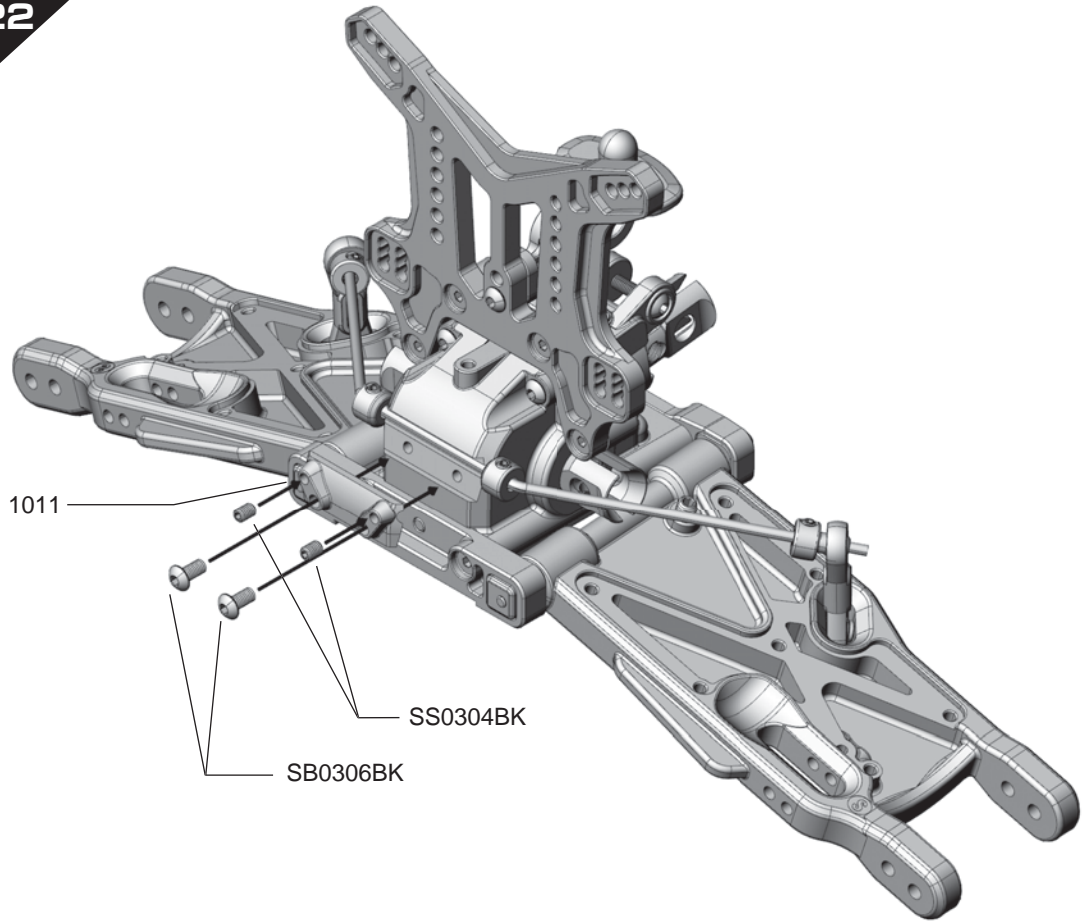


BAG I

SS0304BK
Set Screw M3x4mm x 2

SB0306BK
Ball Screw M3x6mm x 2

22



BAG J

SS0504BK
Set Screw M5x4mm x 2

5005
Pin M3.0x16.8mm x 2

BO081605
Ball Bearing 8x16x5mm x 4

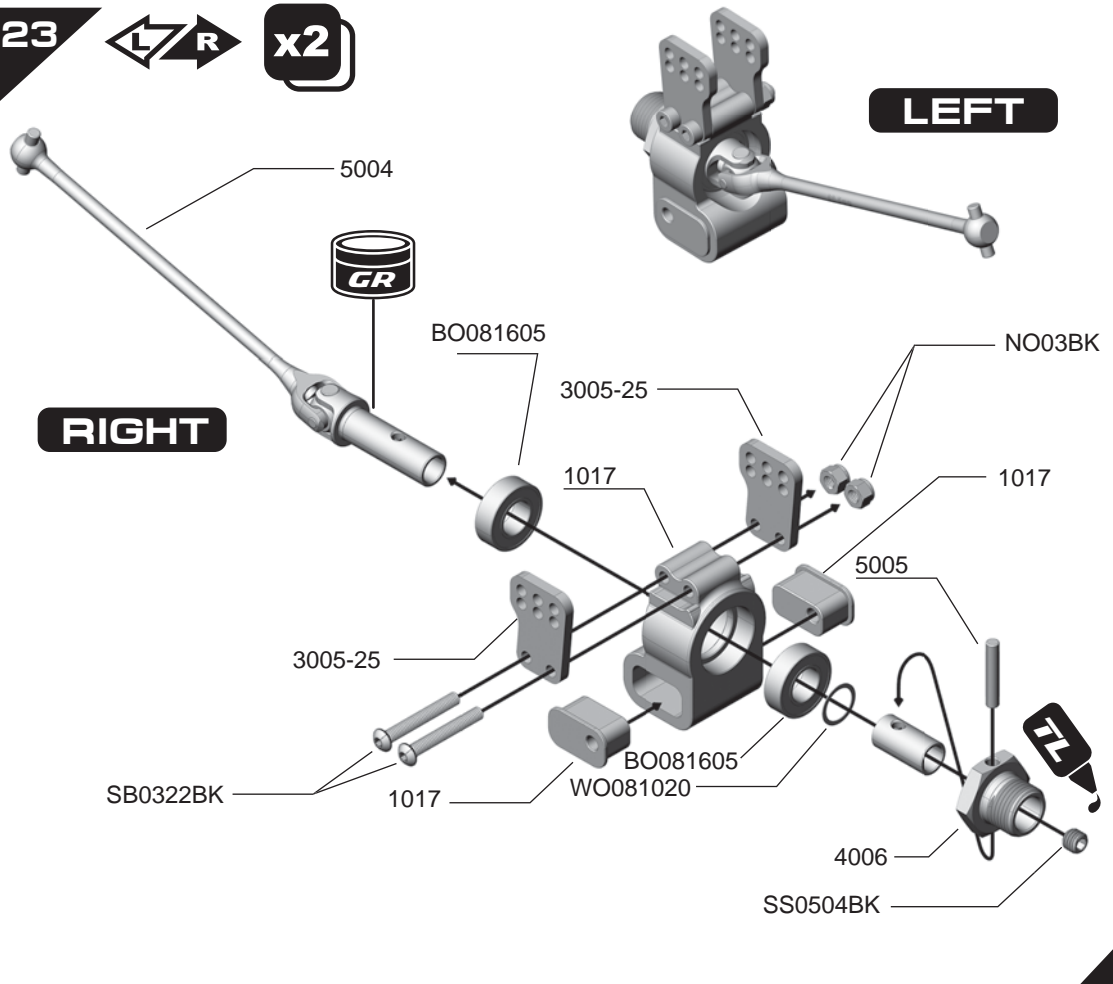
SB0322BK
Ball Screw M3x22mm x 4

NO03BK
Nut Lock M3 x 4

WO081020
Hex Shim 8x10x0.2mm x 2

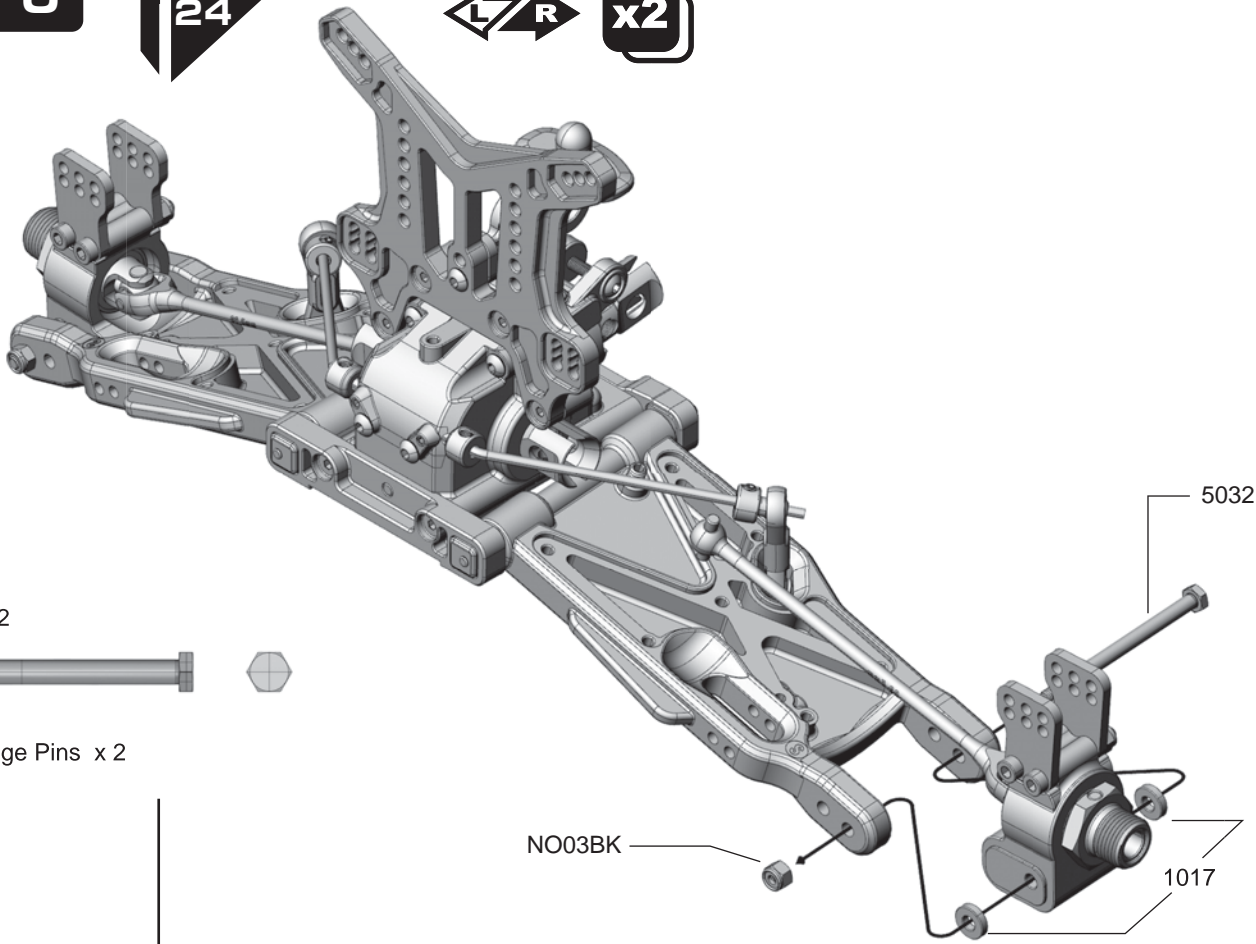
23

← R →
x2



BAG J

24 **x2**

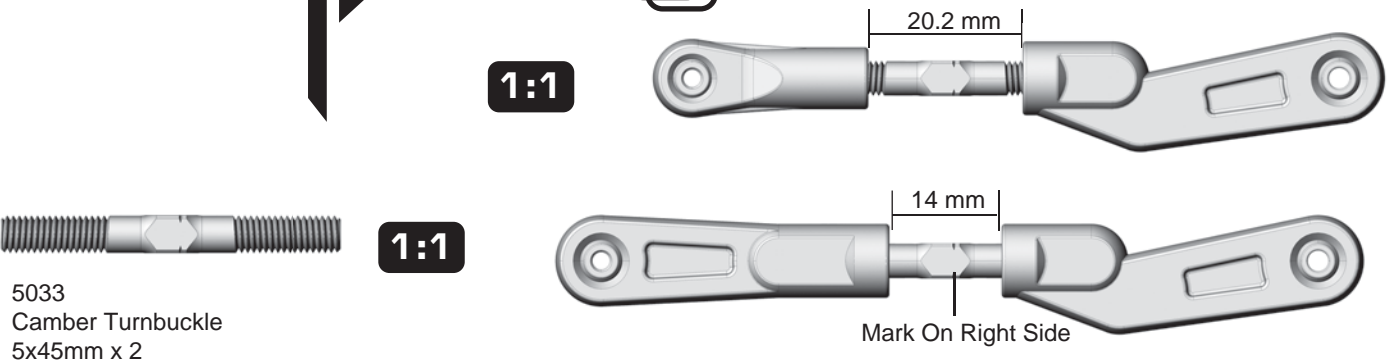


NO03BK
Nut Lock M3 x 2

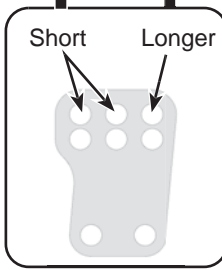
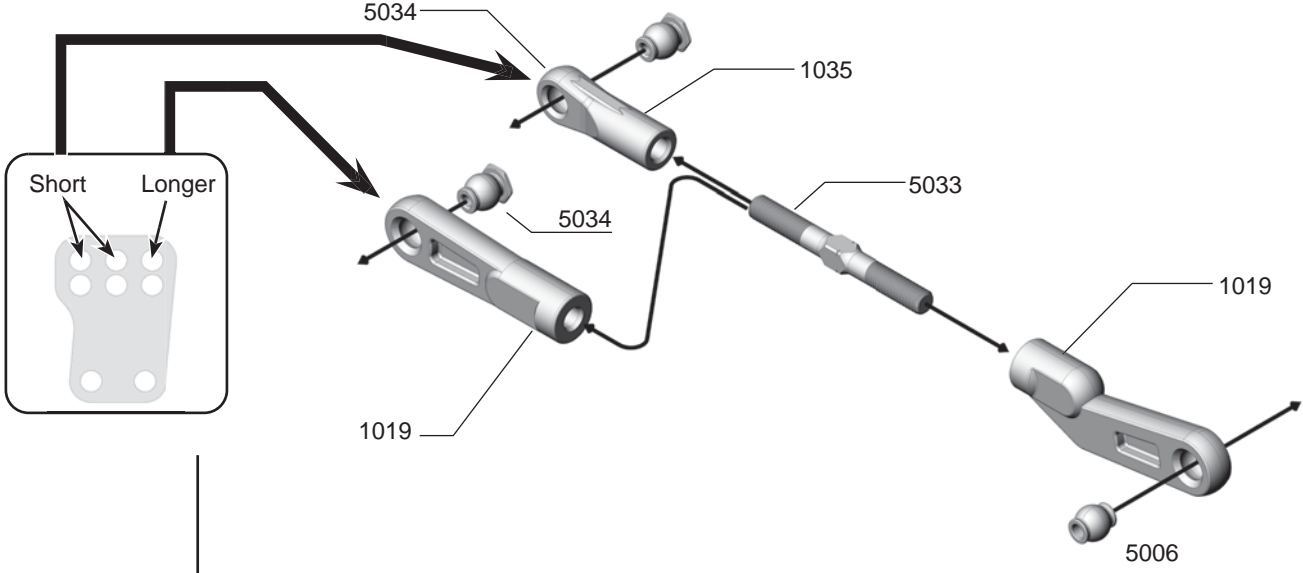


5032
Rear Outer Hinge Pins x 2

25 **x2** **RIGHT**



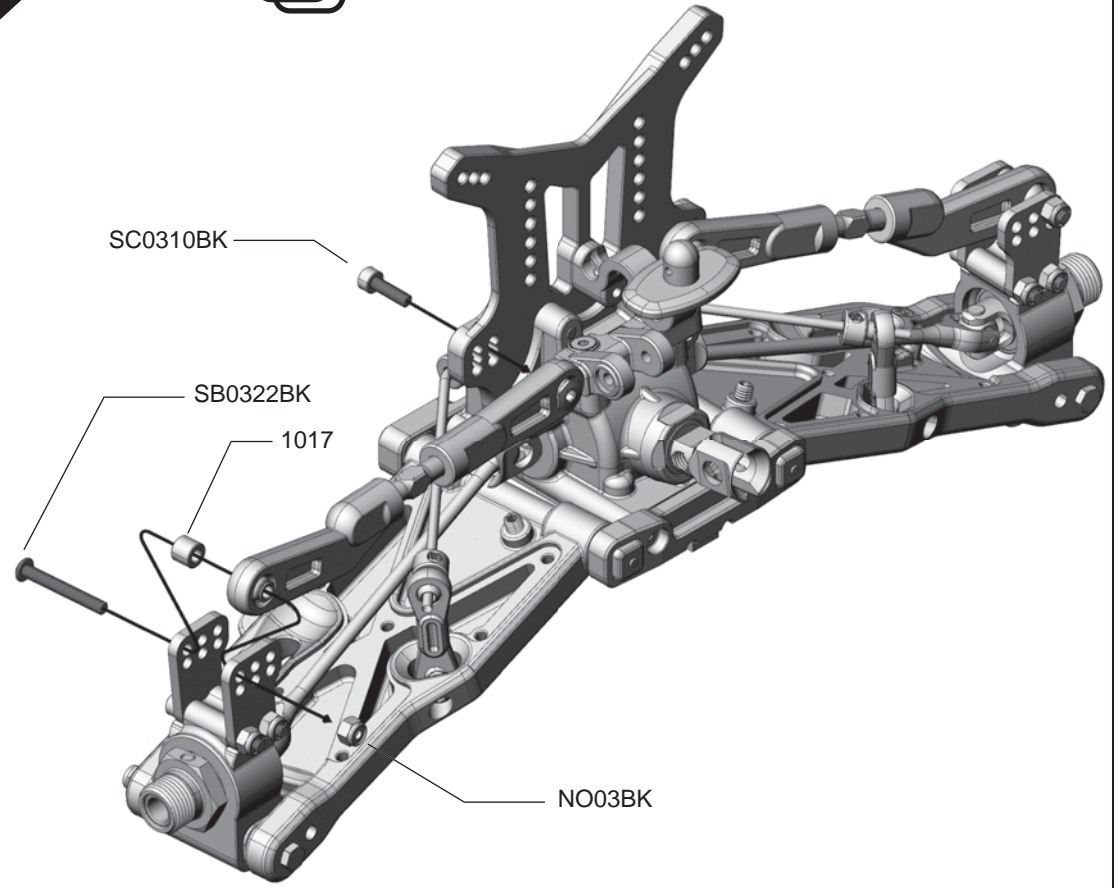
5033
Camber Turnbuckle
5x45mm x 2





BAG J

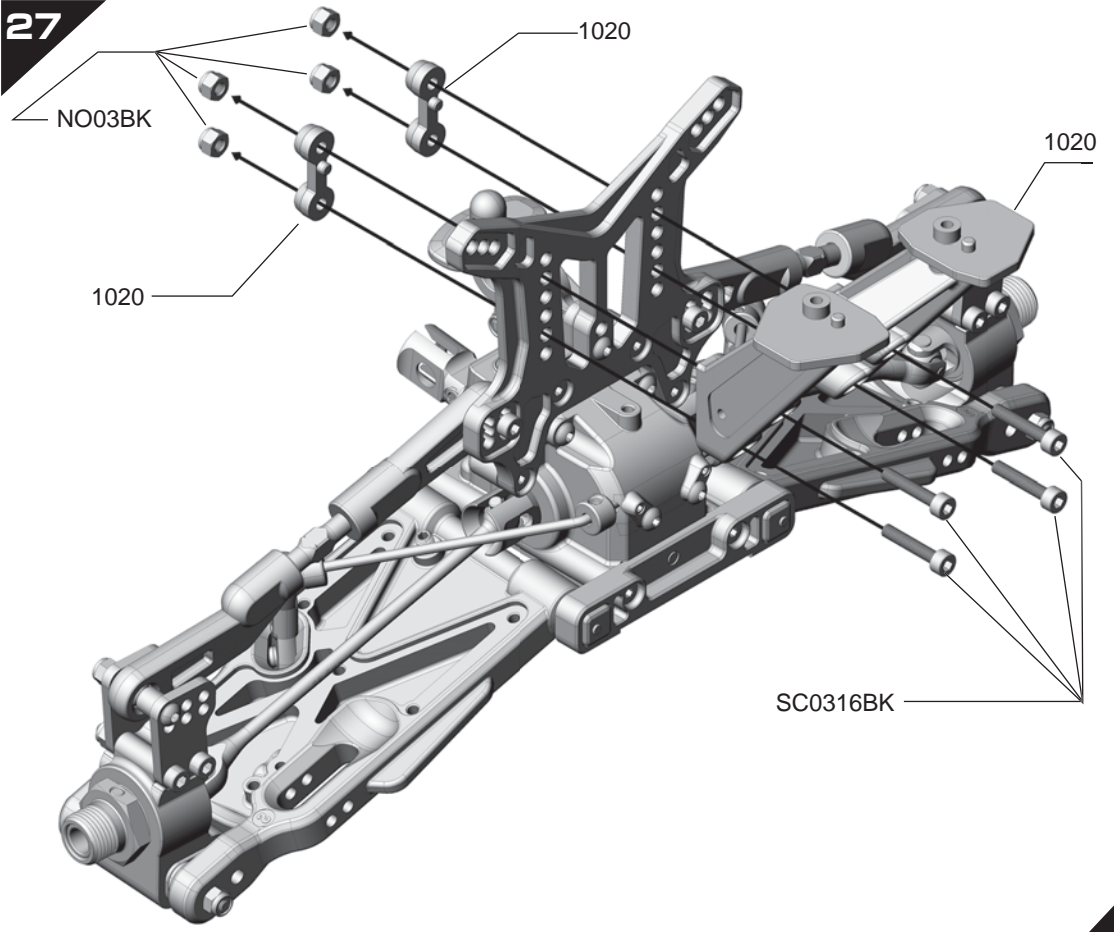
26  **x2**

-  SC0310BK
Cap Screw M3x10mm x 2
-  SB0322BK
Ball Screw M3x22mm x 2
-  NO03BK
Nut Lock M3 x 2



27

-  NO03BK
Nut Lock M3 x 4
-  SC0316BK
Cap Screw M3x16mm x 4



BAG K

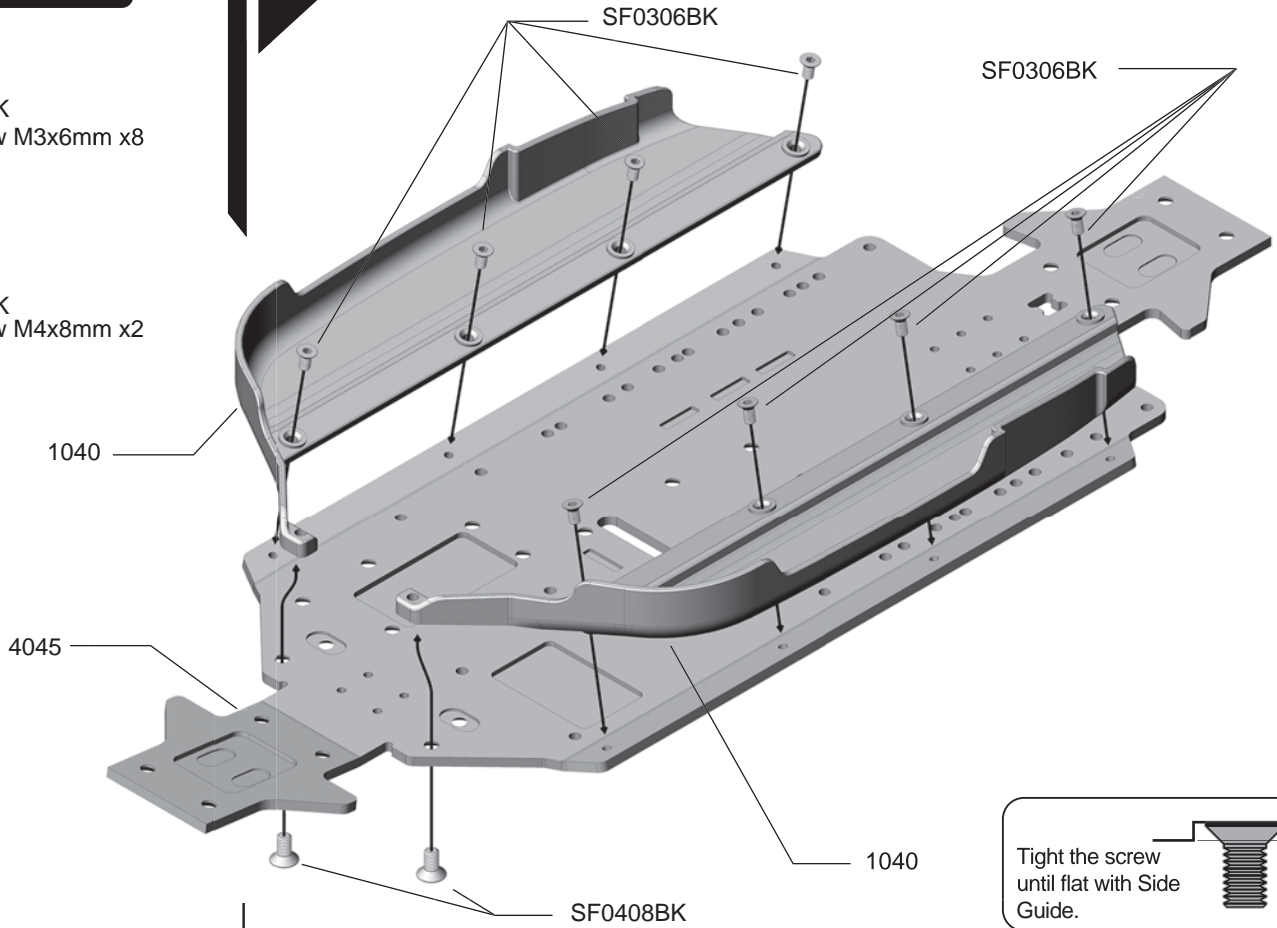
28



SF0306BK
Flat Screw M3x6mm x8



SF0408BK
Flat Screw M4x8mm x2



Tight the screw until flat with Side Guide.

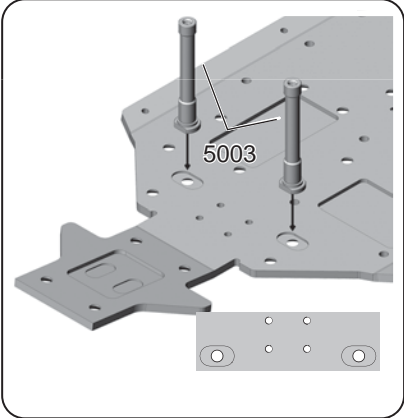
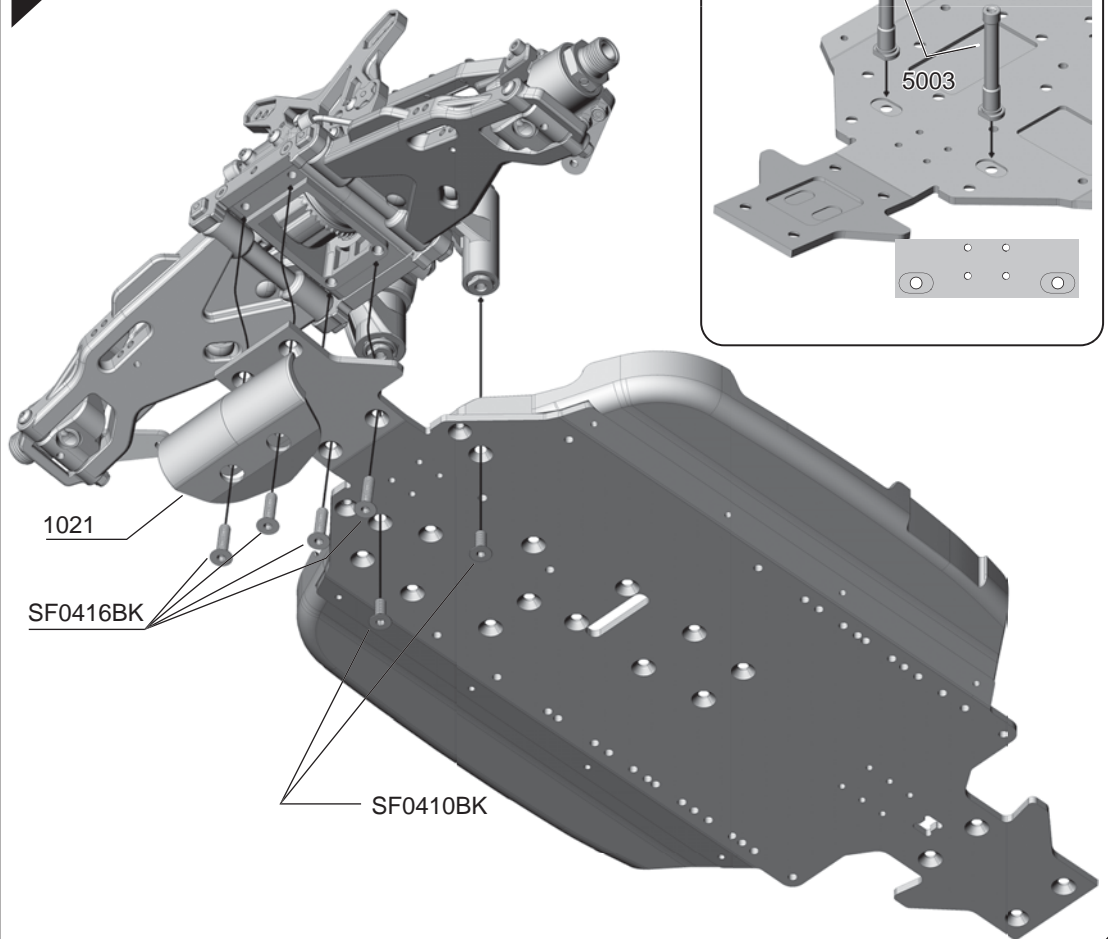
29



SF0410BK
Flat Screw M4x10mm x2



SF0416BK
Flat Screw M4x16mm x4



BAG L

30



SF0412BK
Flat Screw M4x12mm x1



SF0410BK
Flat Screw M4x10mm x5



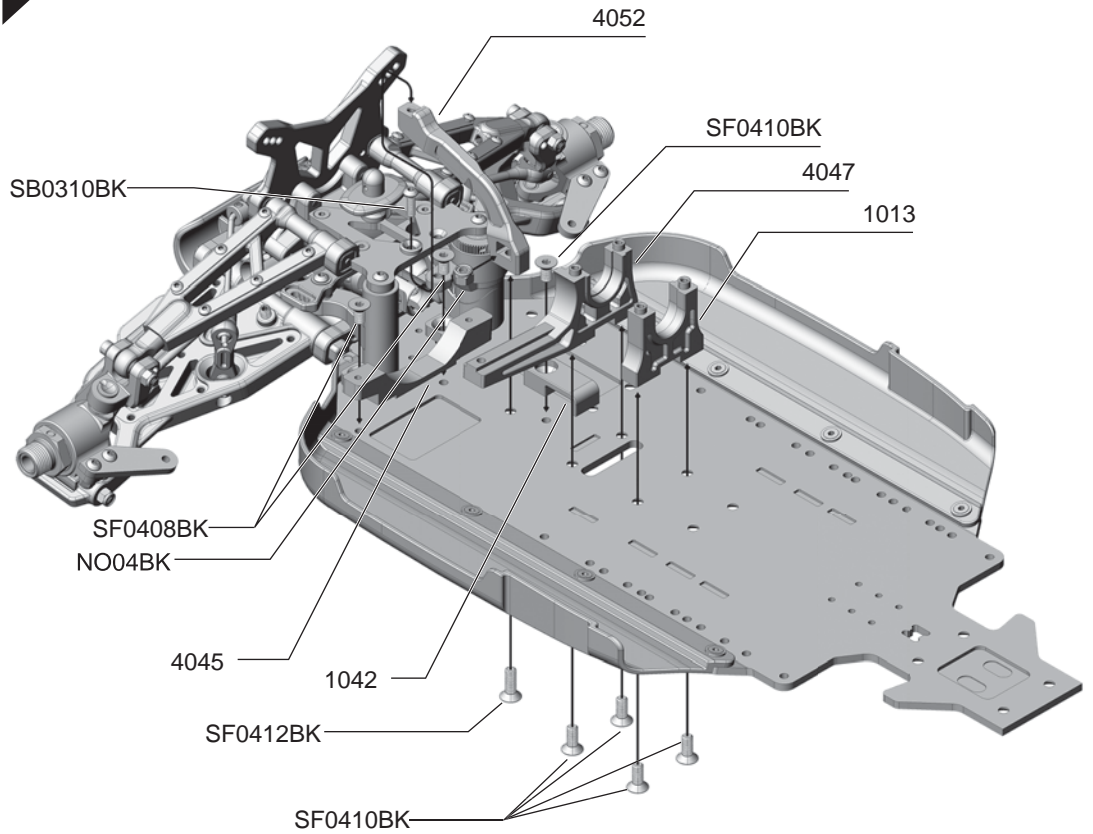
SF0408BK
Flat Screw M4x8mm x2



SB0310BK
Ball Screw M3x10mm x1



NO04BK
Nut Lock M4 x1



31



SS0404BK
Set Screw M4x4mm x1



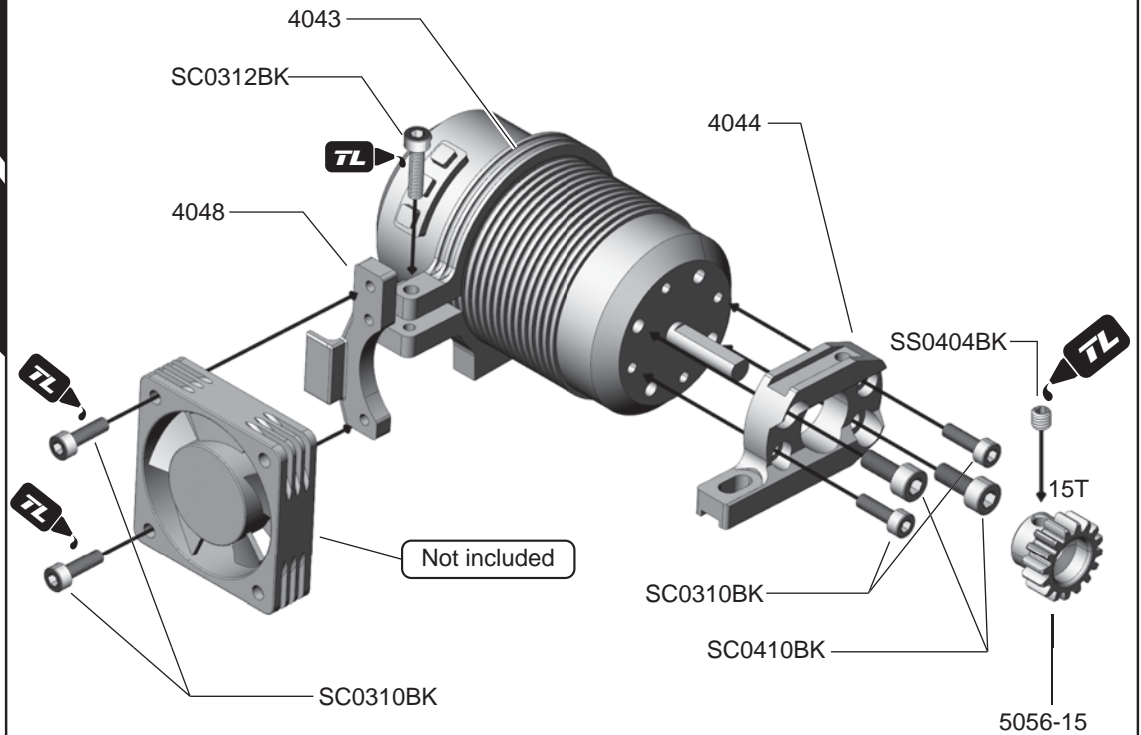
SC0310BK
Cap Screw M3x10mm x2



SC0410BK
Cap Screw M3x10mm x2



SC0312BK
Cap Screw M3x12mm x1



BAG L

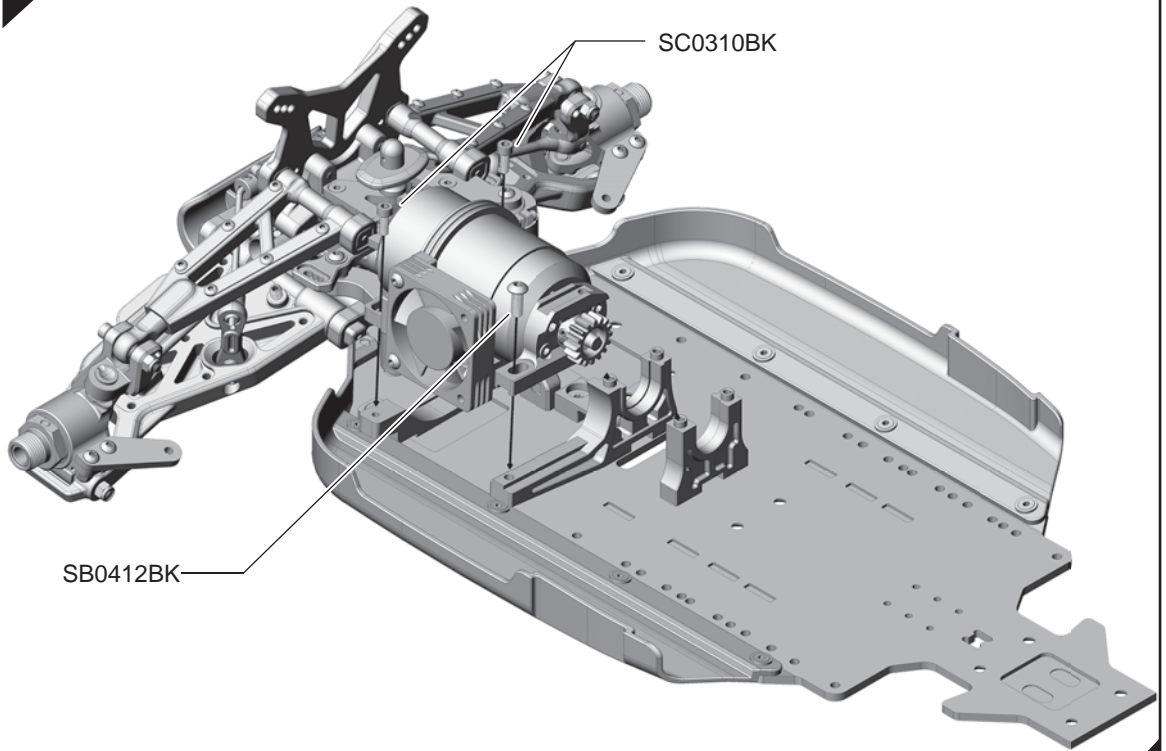
32



SC0310BK
Cap Screw
M3x10mm x 2



SB0412BK
Ball Screw
M4x12mm x 1



33



SF0308BK
Flat Screw
M3x8mm x 4



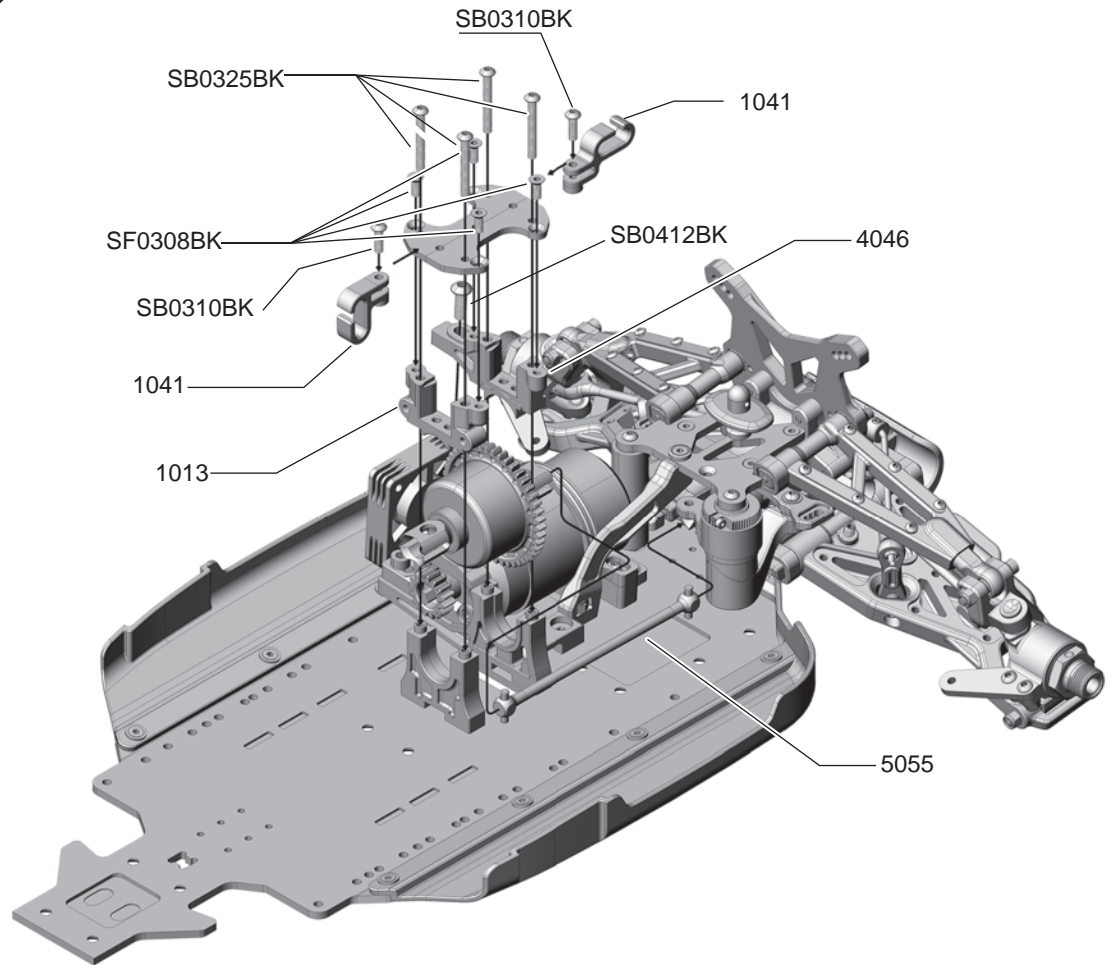
SB0310BK
Ball Screw
M3x10mm x 2



SB0325BK
Ball Screw
M3x25mm x 4



SB0312BK
Ball Screw
M4x12mm x 1



BAG M

34



SF0316BK
Flat Screw M3x16mm x4



SB0320BK
Ball Screw M3x20mm x1



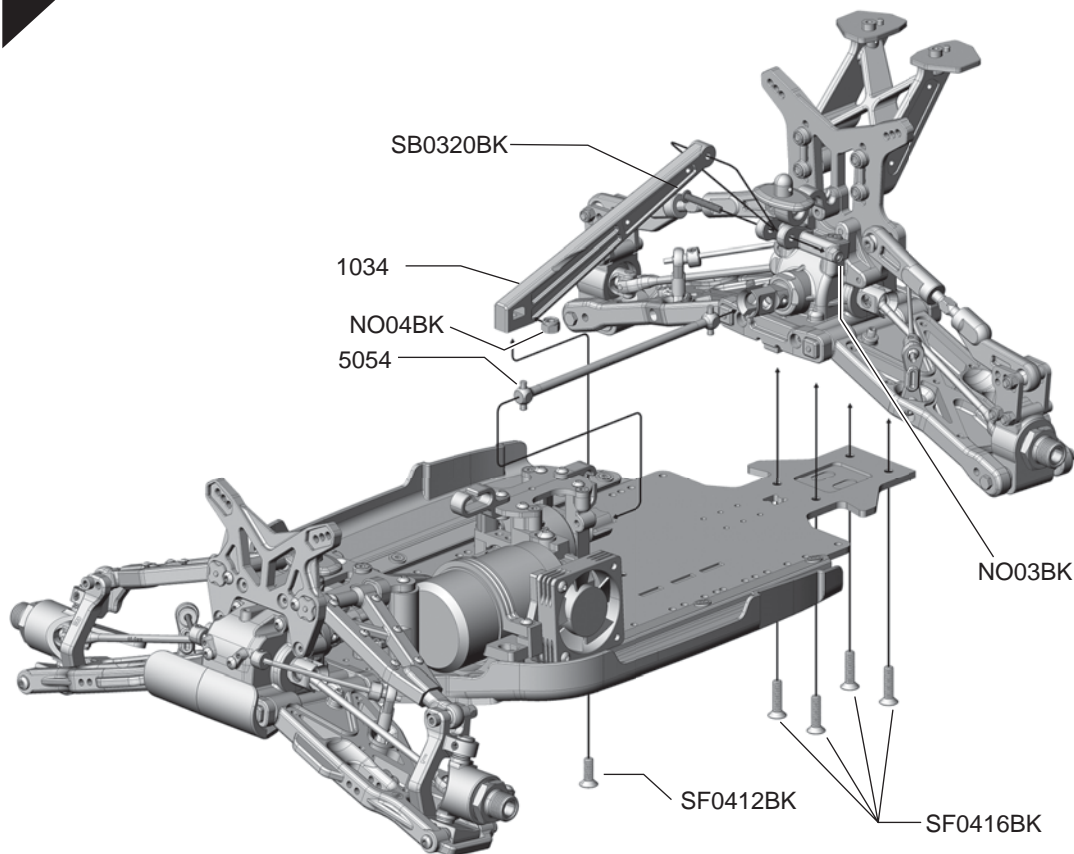
SF0312BK
Flat Screw M3x14mm x1



NO03BK
Nut Lock M3 x1



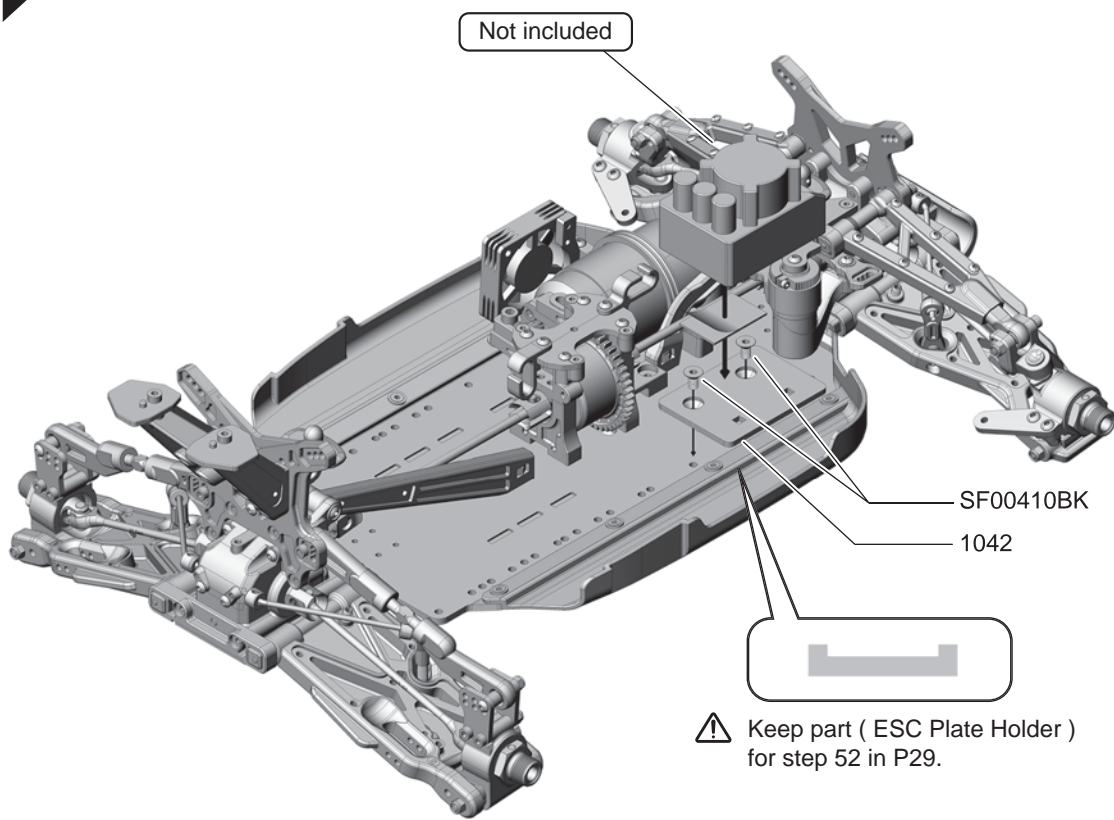
NO04BK
Nut Lock M4 x1




35



SF0410BK
Flat Screw M4x10mm x 2

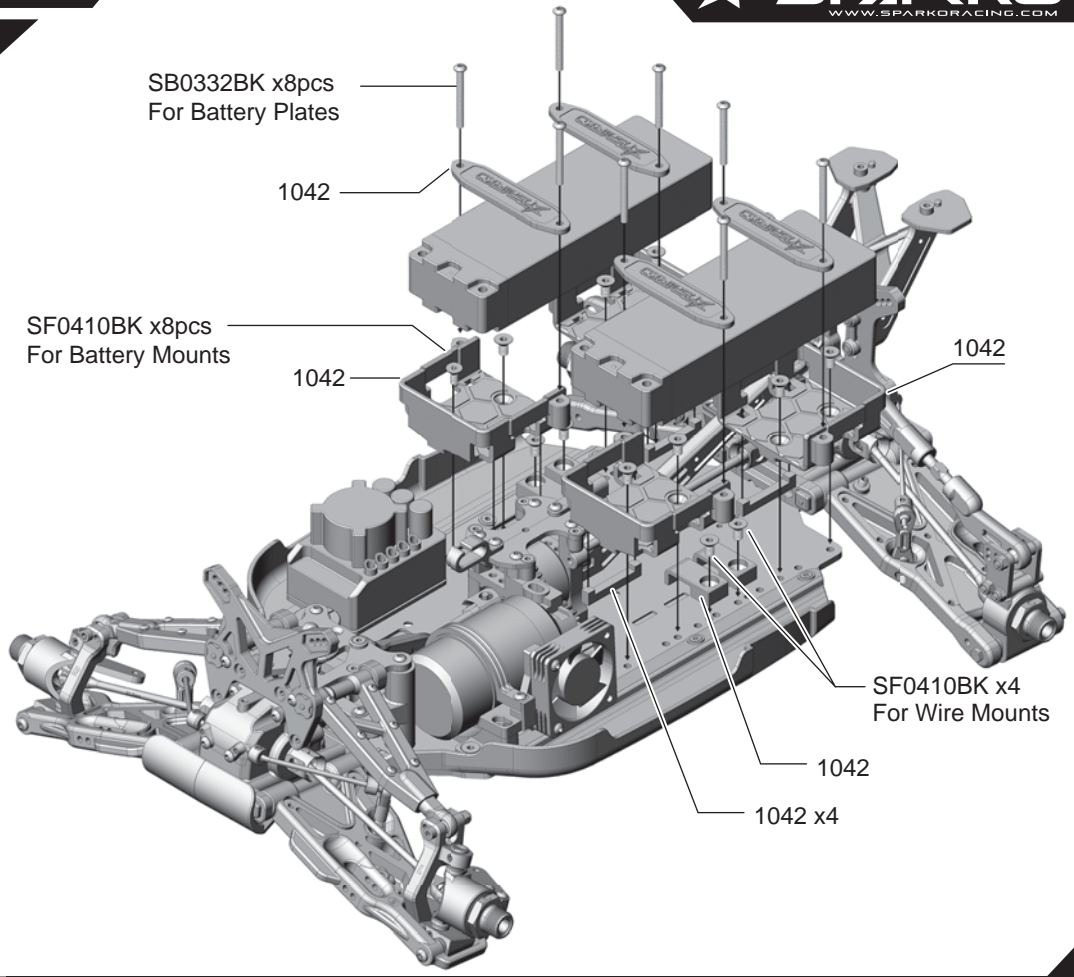


BAG M



SB0332BK
Ball Screw M3x32mm x 8



SF0410BK
Flat Screw M4x10mm x 12


36




BAG N



5022
Servo Steering Turnbuckle
M3x30mm x 1


SB0314BK
Ball Screw M3x14mm x 4

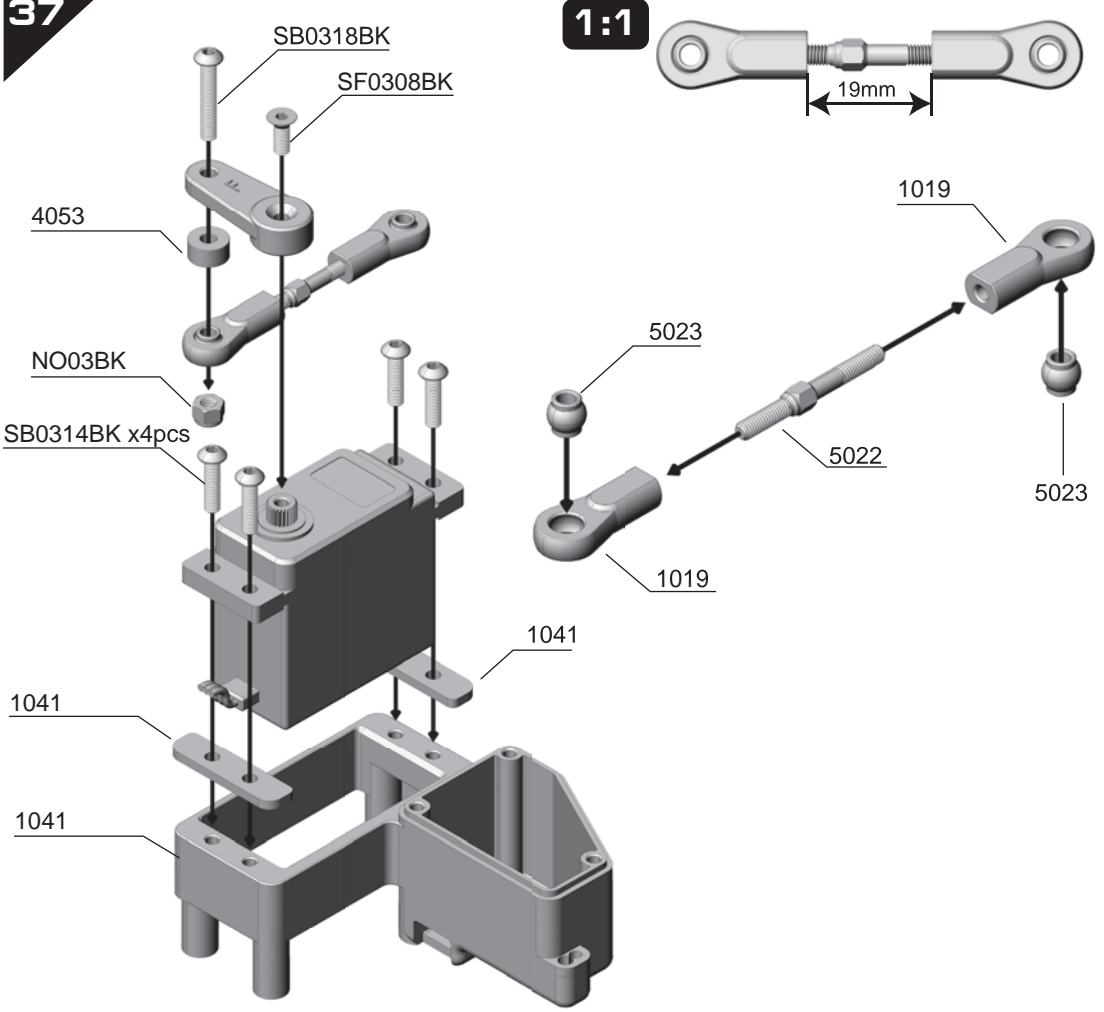

SF0308BK
Flat Screw M3x8mm x 1


SB0318BK
Ball Screw M3x18mm x 1


4053
Aluminum Steering Servo
Horn Washer 4mm x 1


NO03BK
Nut LUCK M3 x 1

37



BAG N

38



SB0310BK
Ball Screw M3x10mm x 1



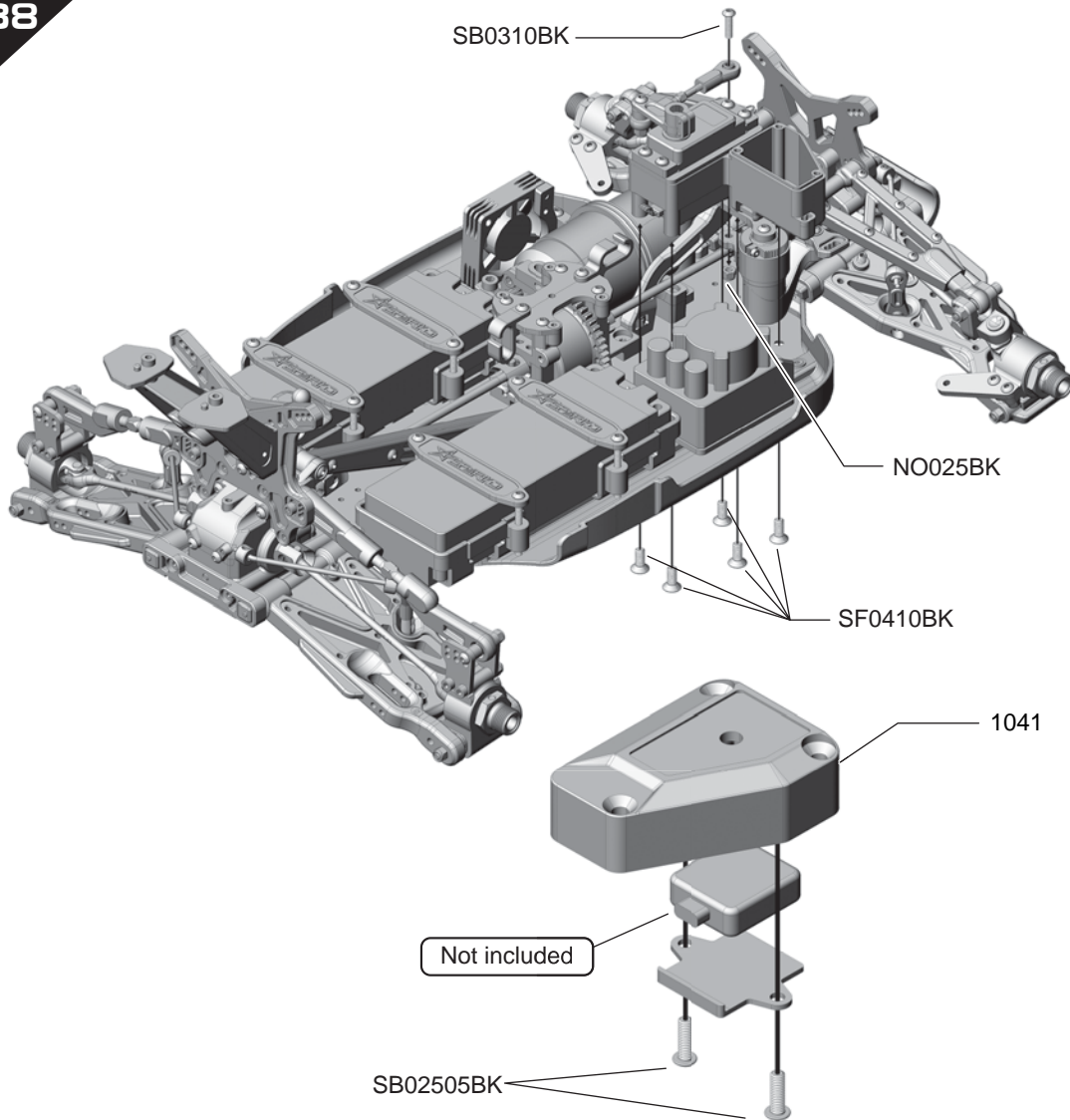
NO03TBK
Nut Lock M3T x 1



SF0410BK
Flat Screw M4x10mm x 5



SB02505BK
Ball Screw M2.5x5mm x 2

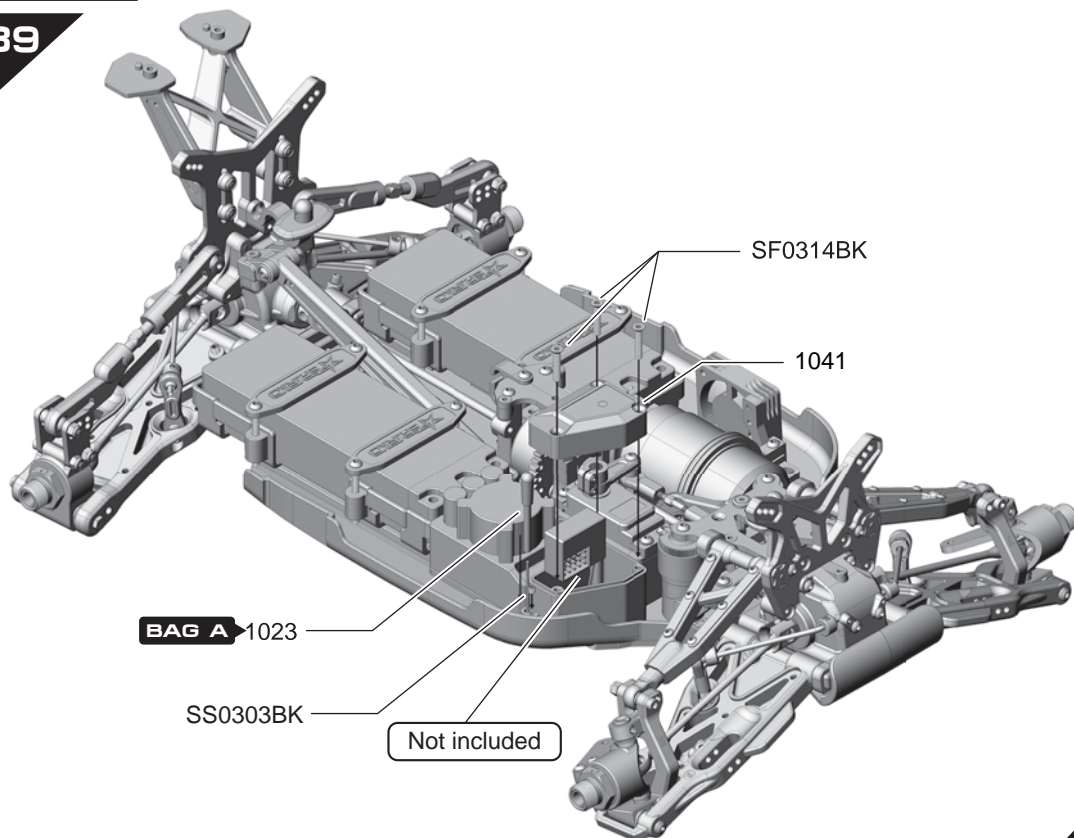


SS0303BK
Set Screw M3x3mm x 1



SF0314BK
Flat Screw M3x14mm x 3

39

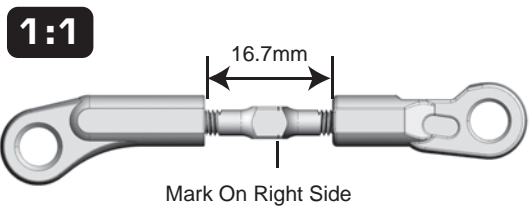
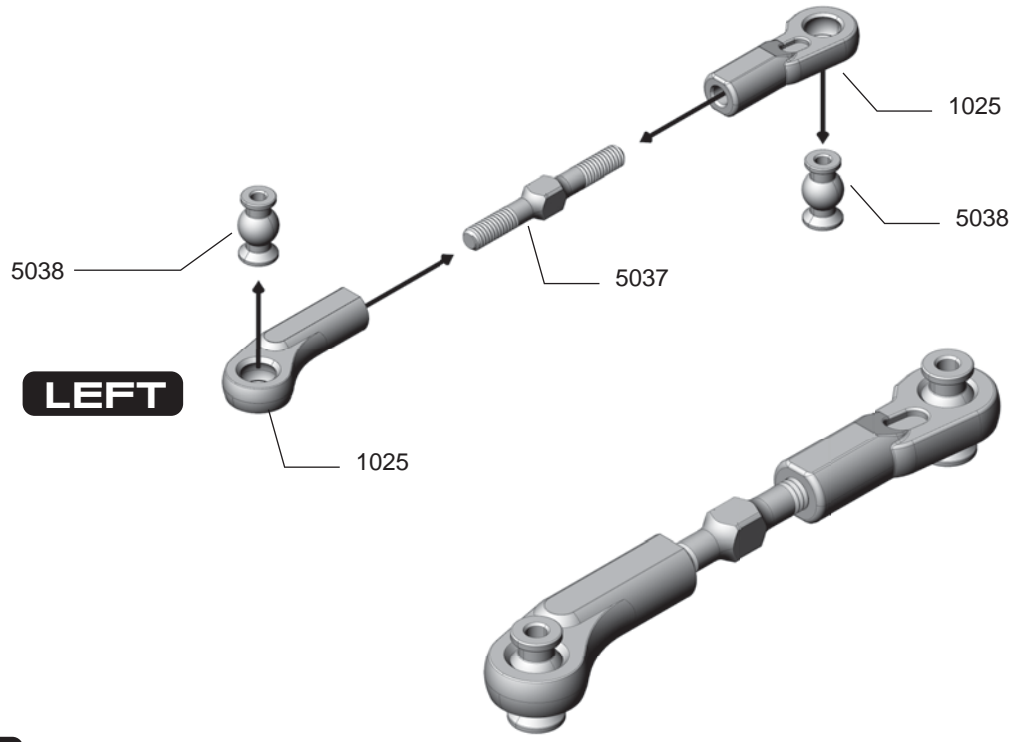


BAG N

40  **x2**

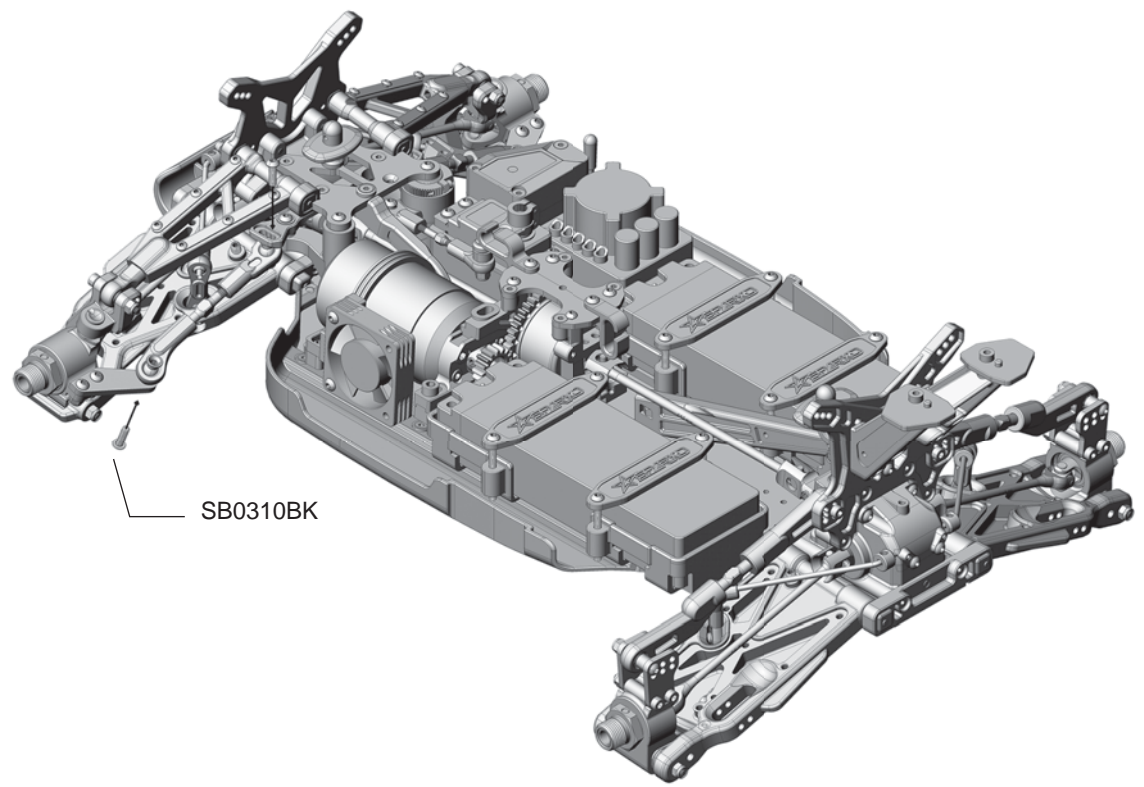


5037
Steering Turnduckle
M4x40mm x 2



SB0310BK
Ball Screw
M3x10mm x 4

41



BAG 0

42

F/R

x2

FRONT

x2

REAR



5040
Front Shock Shaft x 2



5041
Rear Shock Shaft x 2



NO025SL
Nut Lock M2.5mm x 4



1028
Shock Seal Washer
3.5X7X1.0mm x 4



1028
Shock Seal Washer
3.6X7X2.5mm x 8



WO0260660
Shock Piston Washer
2.6x6x0.6mm x 4



1028
Shock Seal O-Ring x 8



2003
Shock seal O-Ring x 4



2004
Shock Spring Adjust
Nut O-Ring x 4



SF02046BK 1.5 Hex x 4
Flat Screw M2.0x4.6mm



SB02508BK
Ball Screw
M2.5x8mm x 4

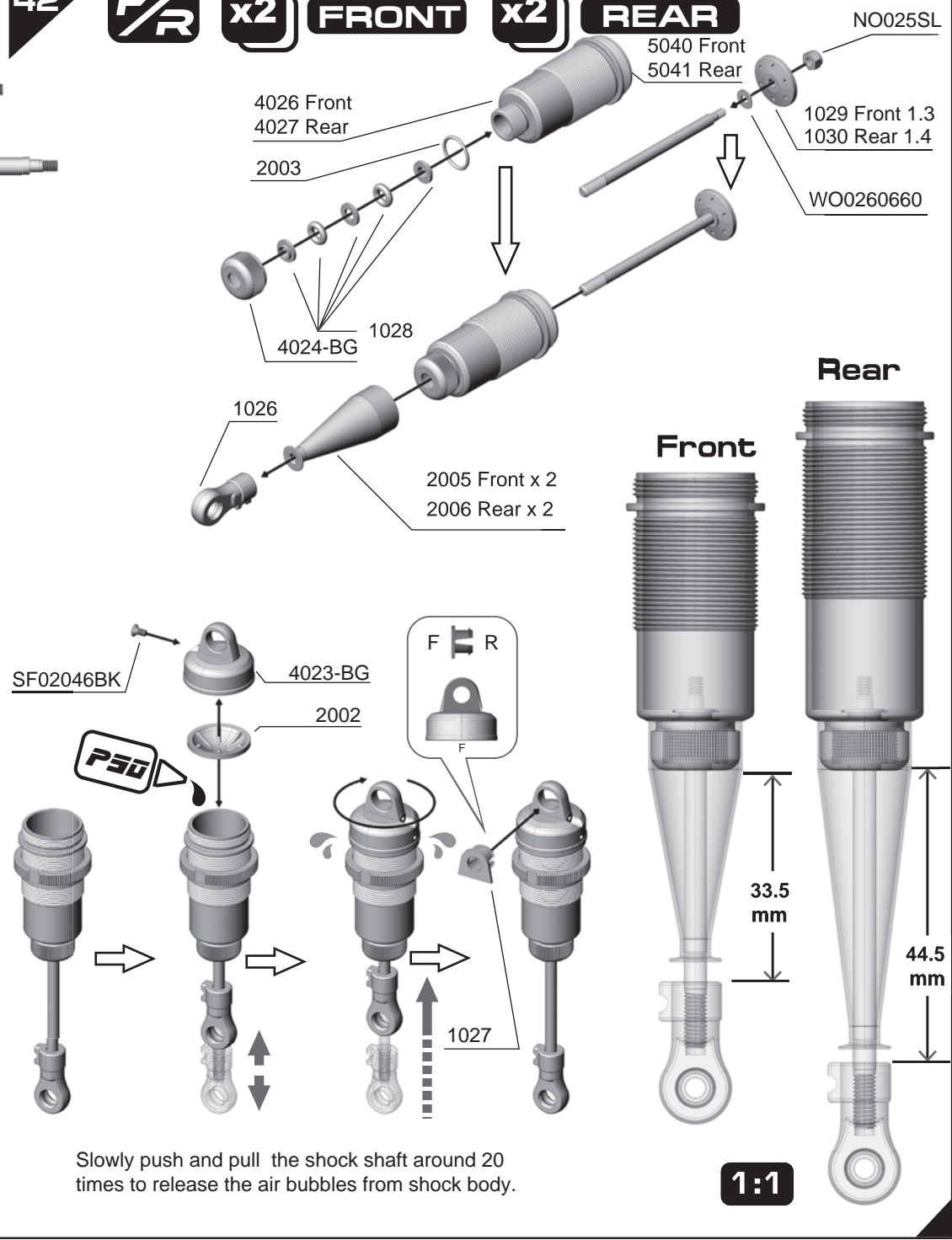
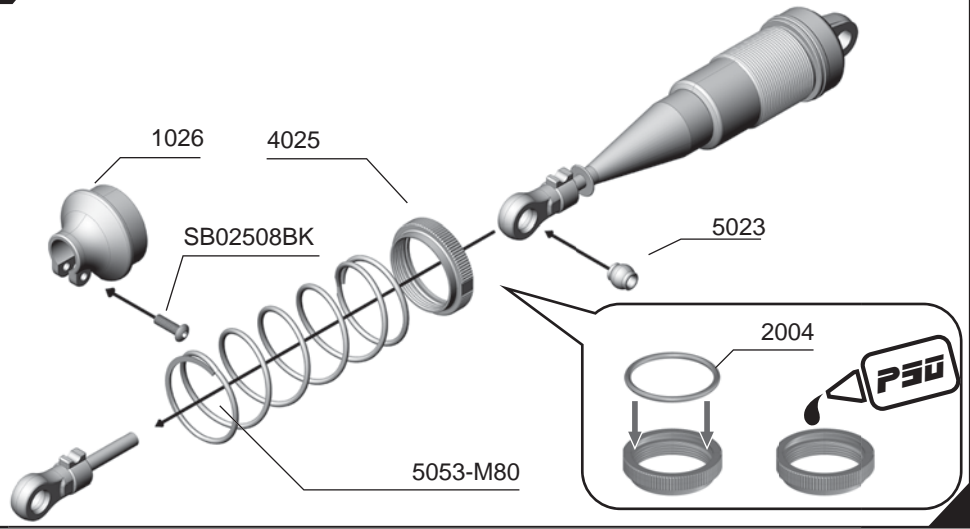


5052-H62
Front Shock Spring (Hard)
(L62 X Ø1.6 mm) x 2



5053-M80
Rear Shock Spring (Med)
(L80 X Ø1.6 mm) x 2

43



Slowly push and pull the shock shaft around 20 times to release the air bubbles from shock body.

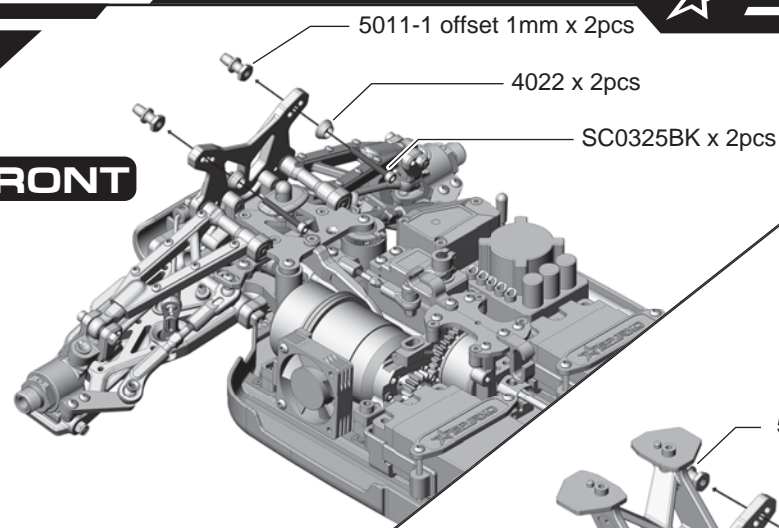
BAG 0



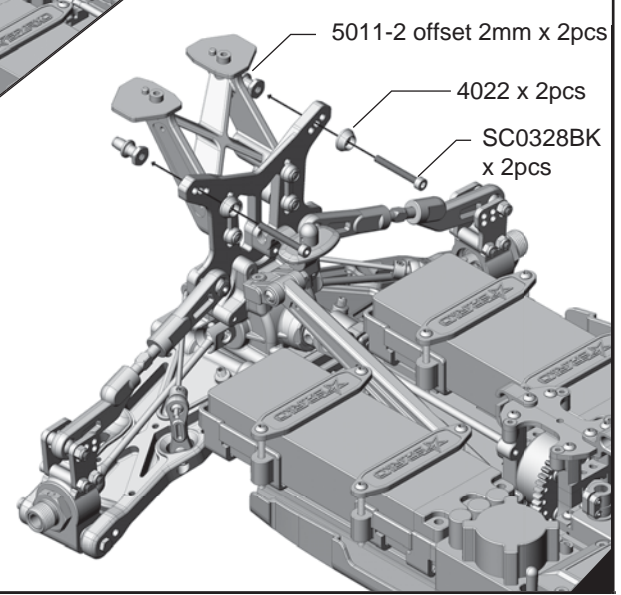
SC0328BK
Cap Screw
M3x28mm x 4

44

FRONT



REAR



NF03BK
Flanged Locknut
M3 x 4



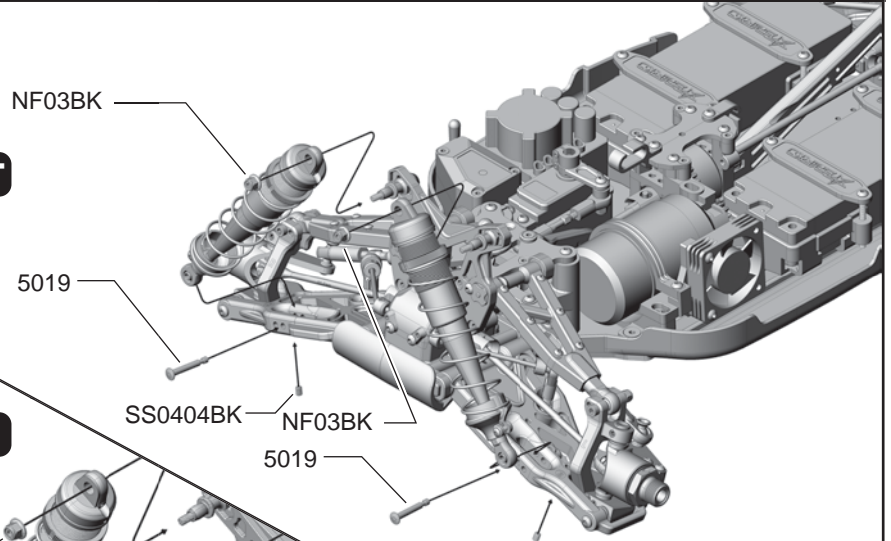
5019
Shock Pins x 4



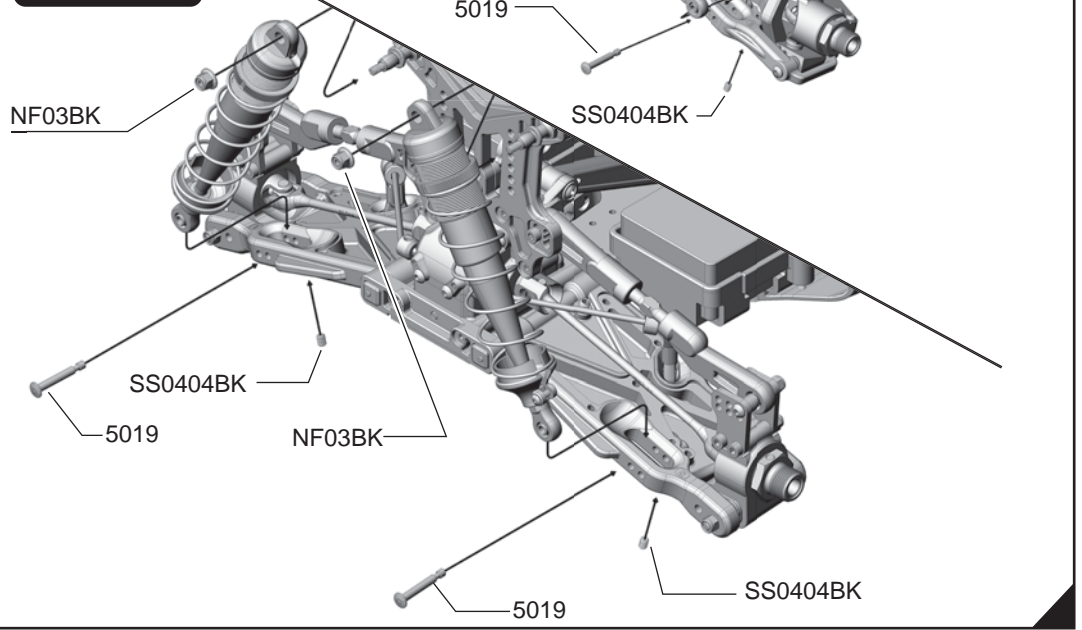
SS0404BK
Set Screw
M4x4mm x 4

45

FRONT

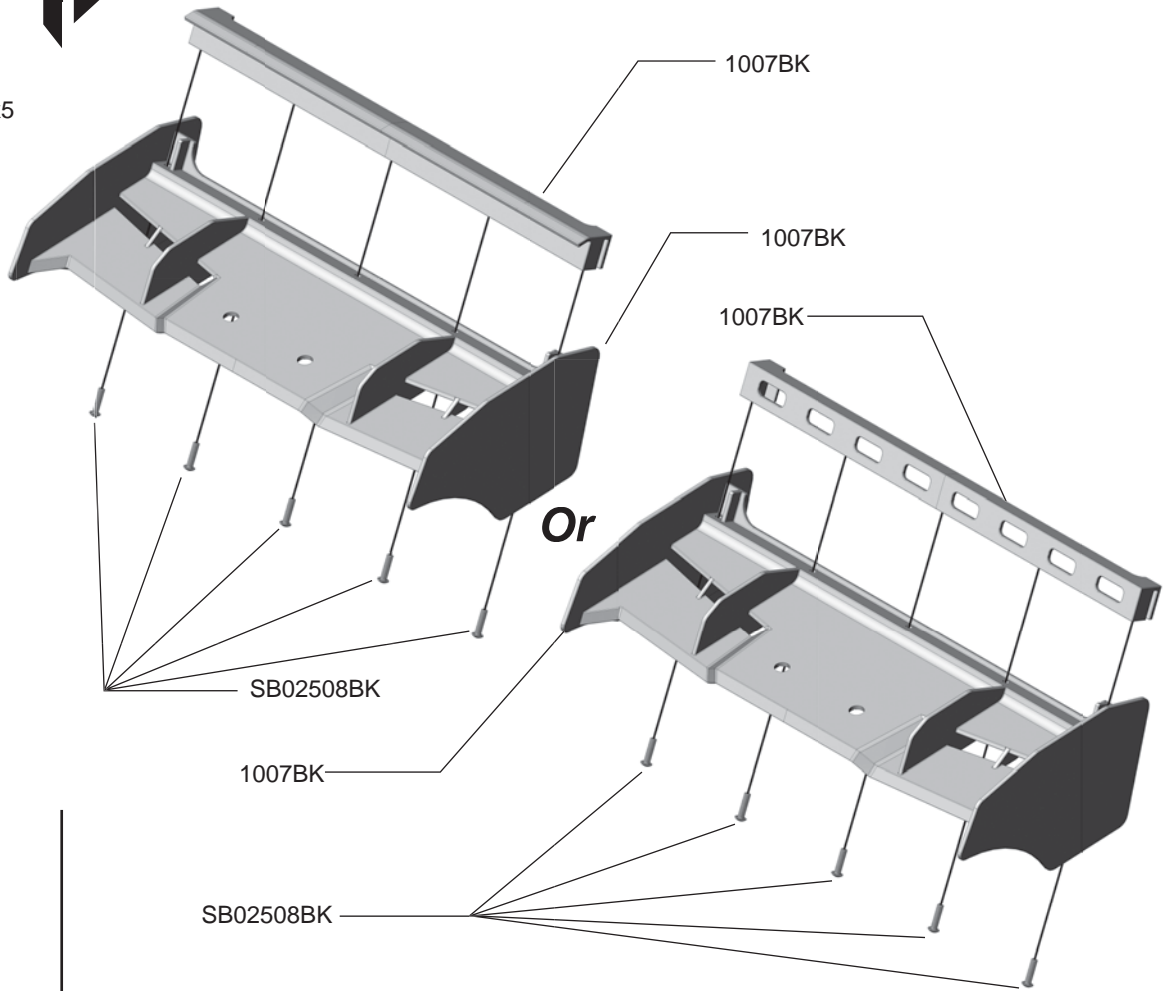


REAR





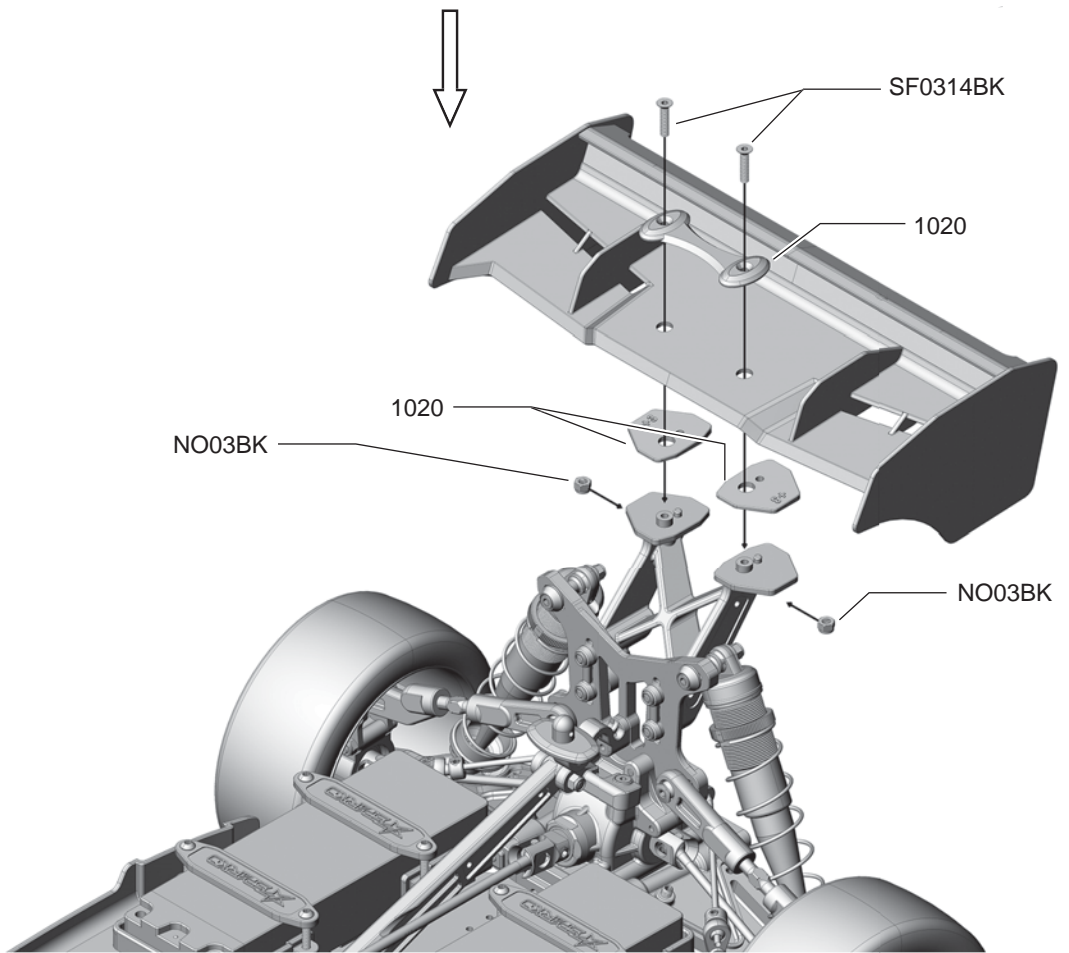
SB02508BK
Ball Screw M2.5x8mm x5



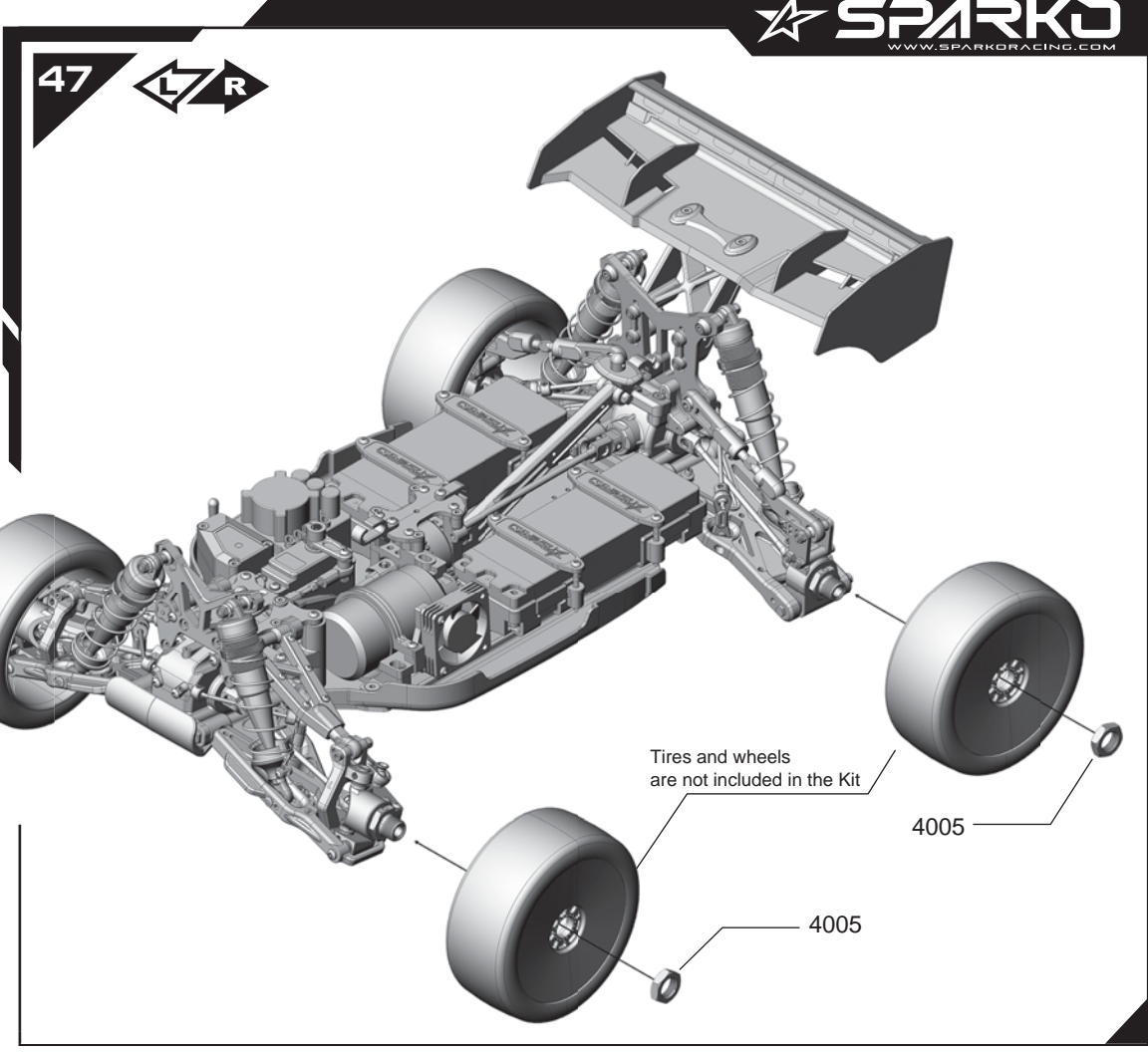
SF0314BK
Flat Screw M3x14mm x 2



NO03BK
Nut Lock M3 x 2

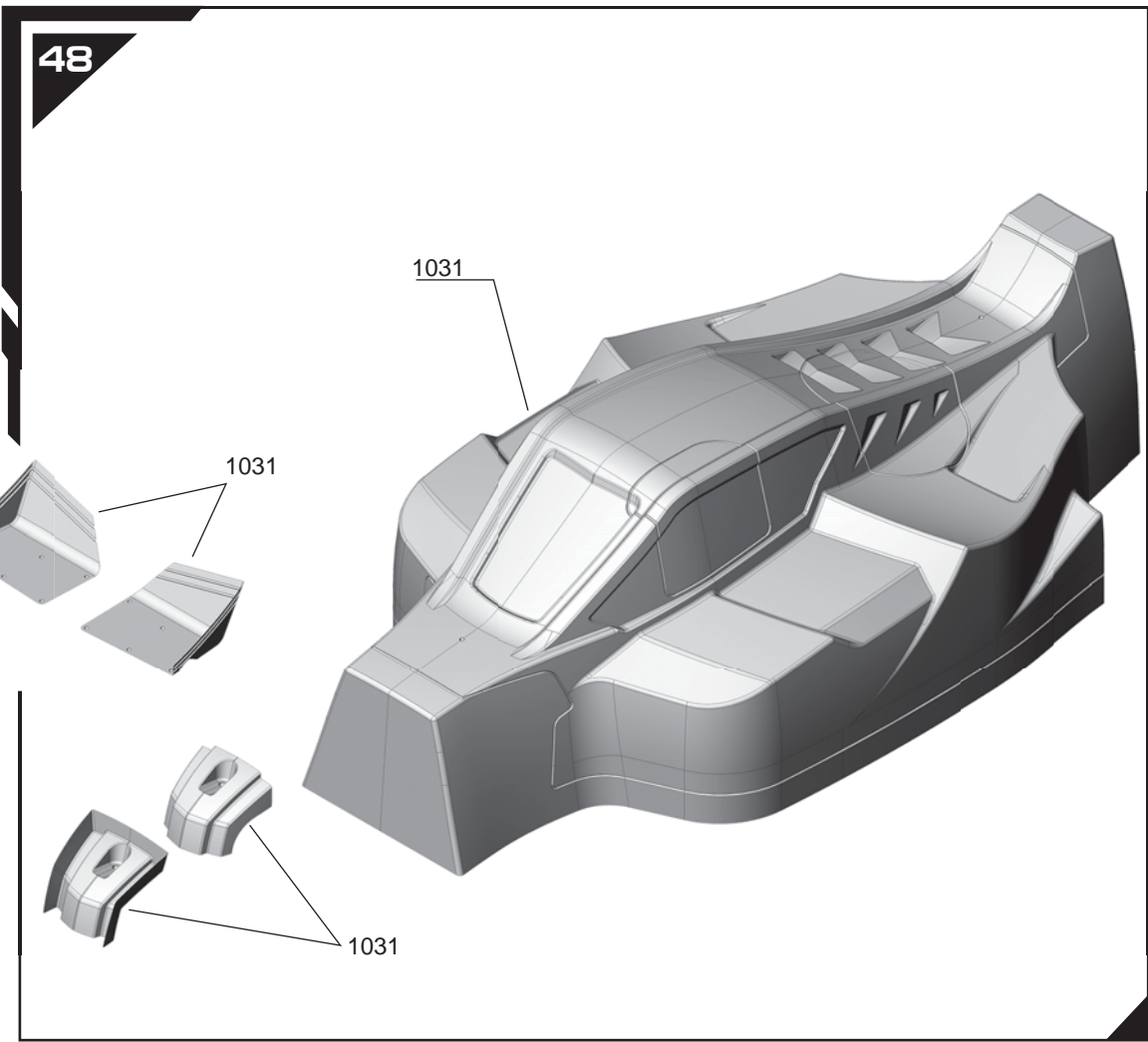


BAG J



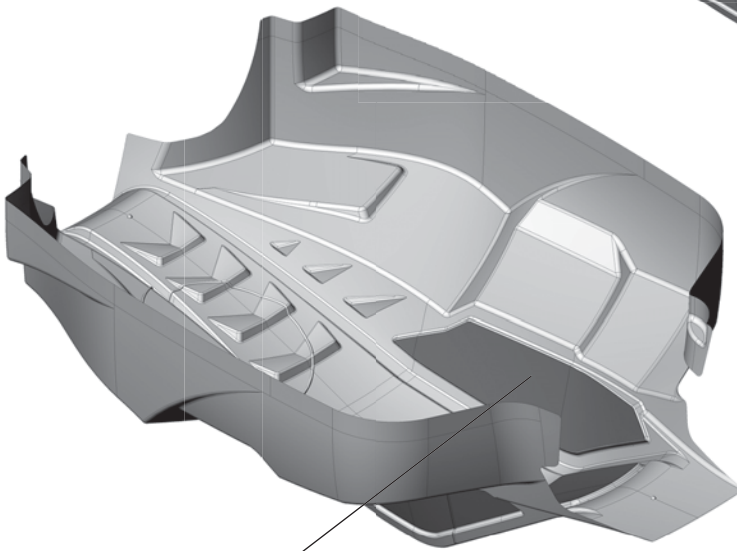
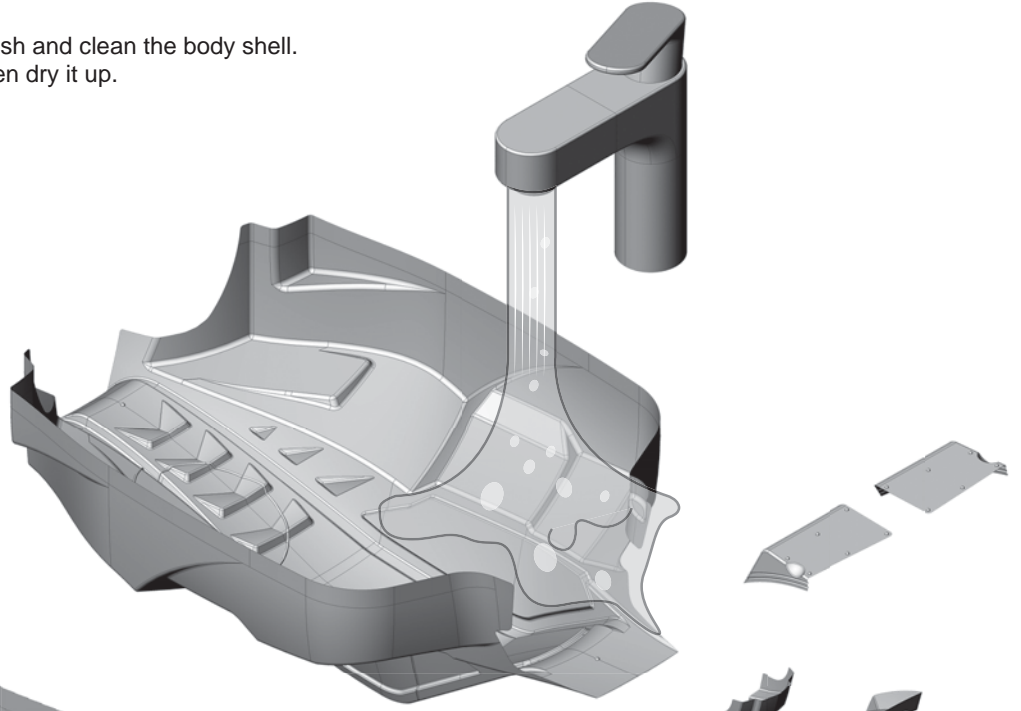
4005
Aluminum Wheel Nut
(Hard Anodizing) x 4

BAG A

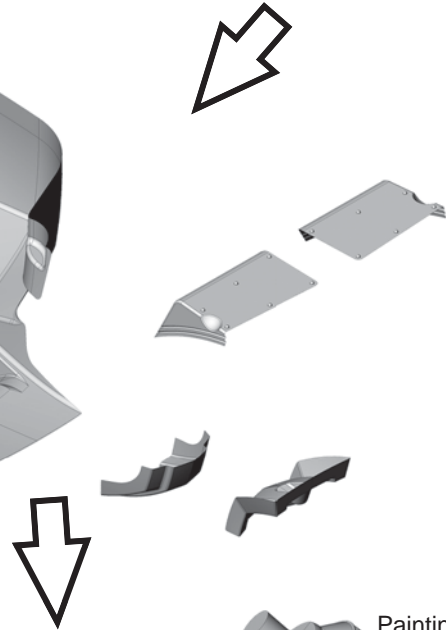


49

Wash and clean the body shell.
Then dry it up.

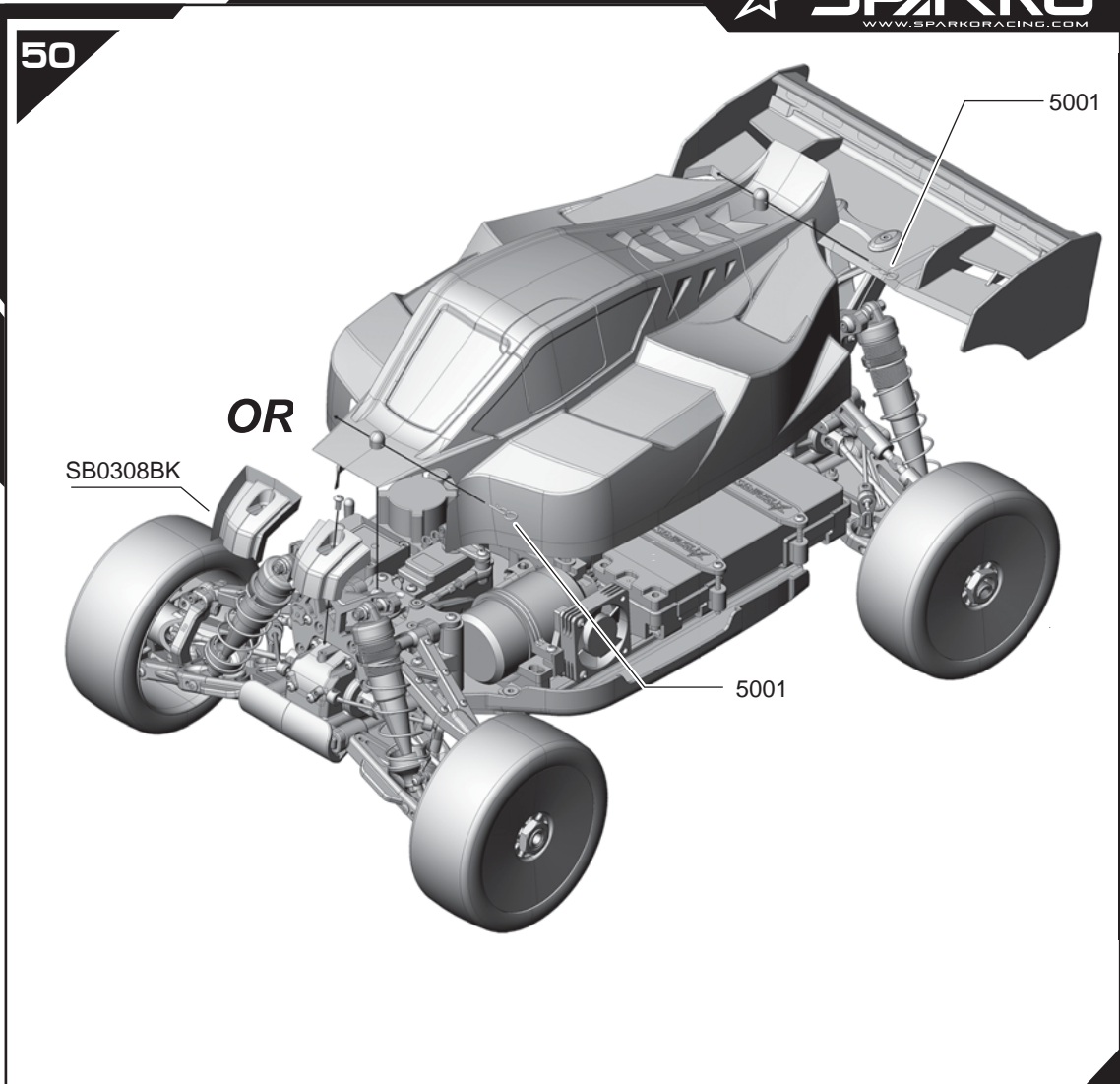


Apply window masks
as shown.



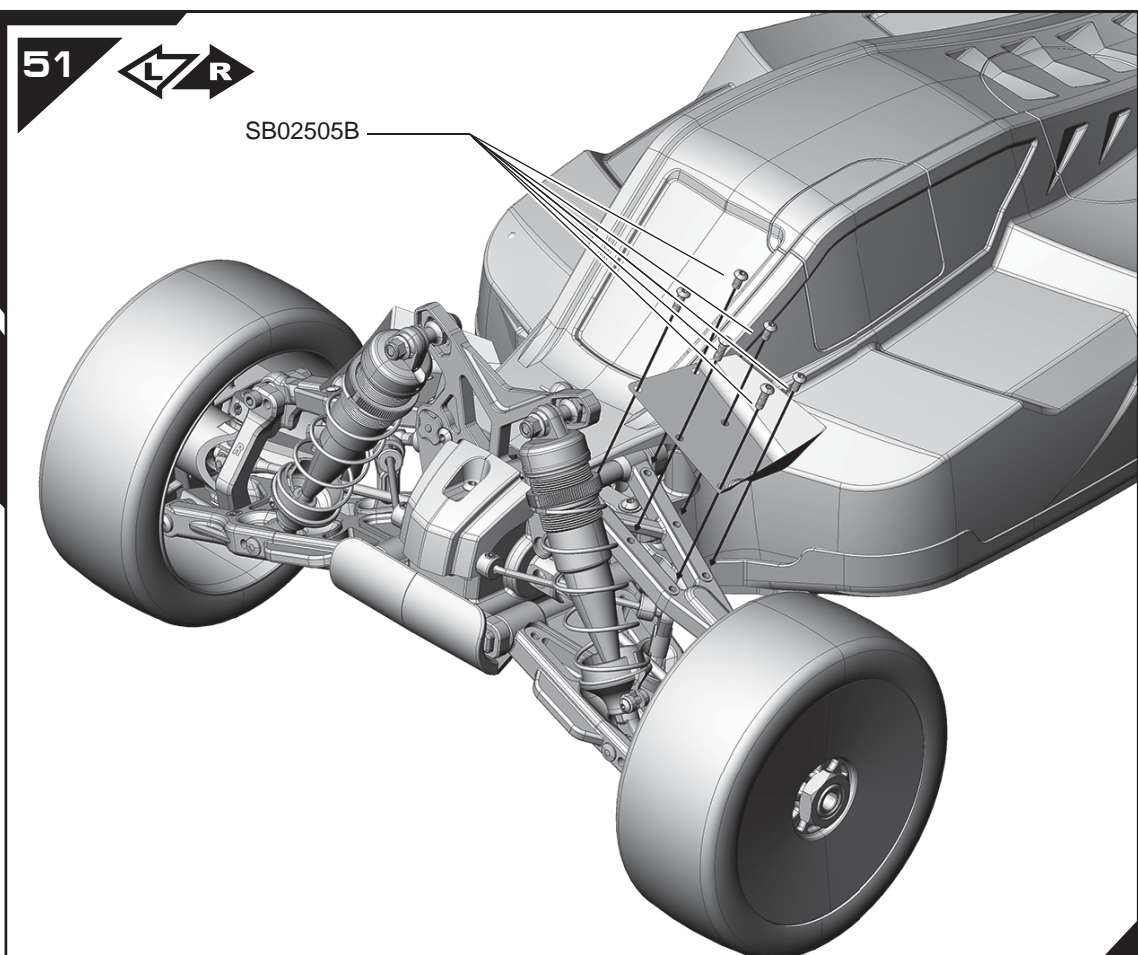
Painting body.

BAG A



SB0308BK
Ball Screw M3x8mm x1

BAG F



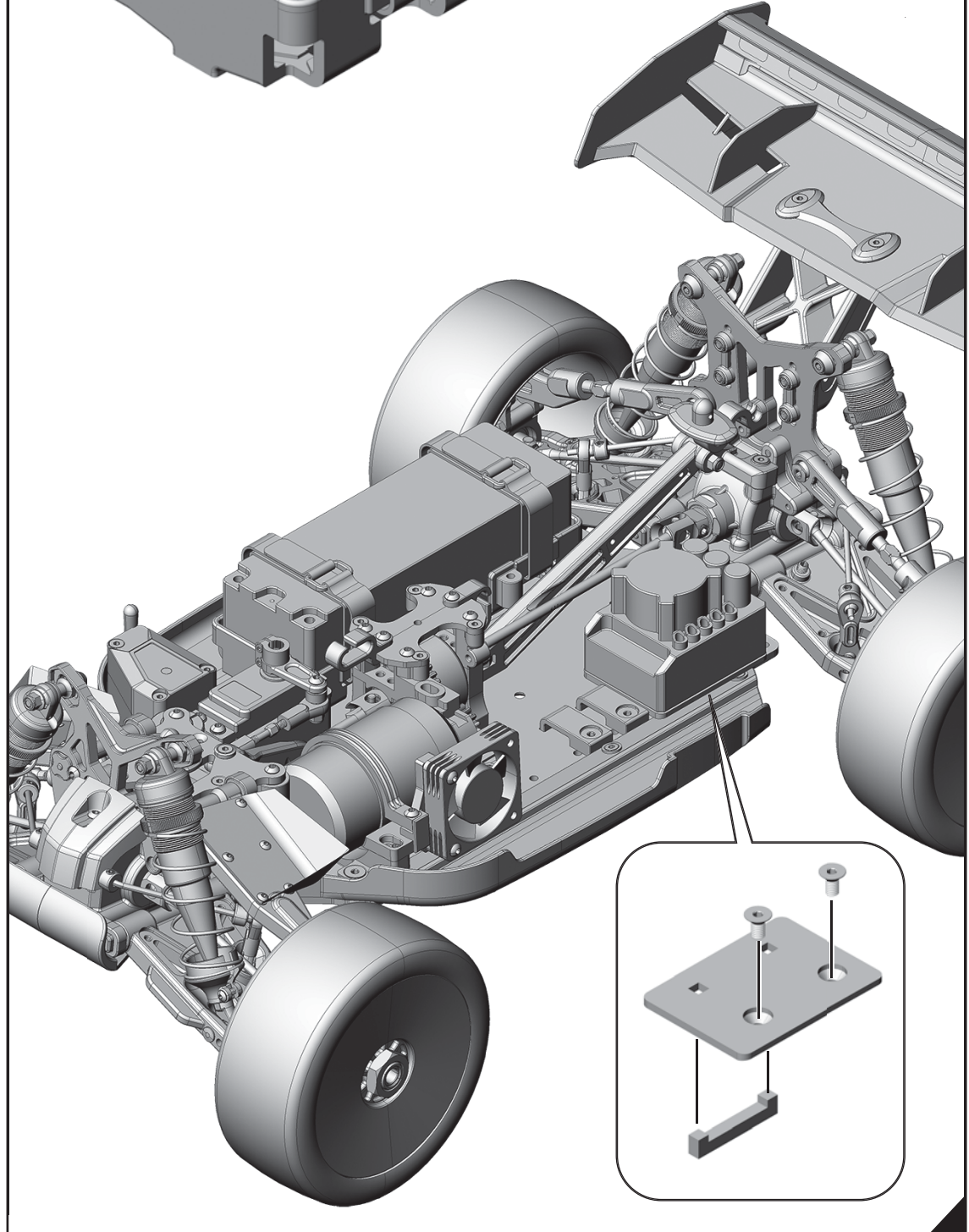
SB02505B
Ball Screw M2.5x5mm x 12

52

4S stander battery configuration

Not included

9009



ESC	Motor	Battery		Battery Configuration		Tire	Tire Insert	Wheel	Body
		Shorty: _____ V x _____ Pcs	Standard: _____ V x _____ Pcs	<input type="checkbox"/> STF <input type="checkbox"/> STM <input type="checkbox"/> STR <input type="checkbox"/> SD2 (Stander 2S) <input type="checkbox"/> SD4 (Stander 4S)	<input type="checkbox"/> Inward <input type="checkbox"/> Outward <input type="checkbox"/> Outward Only				
_____ A	_____ KV	_____ Mah							

● Diff Gear Set-Up

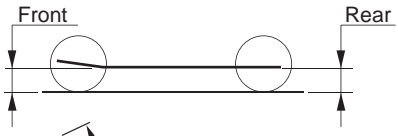
	Front	Center	Rear
Diff. Fluid	# 10000 43 x 13 _T	# 10000 46 x 13 _T	# 5000 43 x 13 _T

● Shock Set-Up

Cap <input checked="" type="checkbox"/> Bladder <input type="checkbox"/> Emulsion	Front	Rear
Oil Brand: _____	# 600	# 600
Spring Collar Spacer	4.3 mm	6 mm
Pistons	φ 1.3 x 6	φ 1.4 x 6
Spring	H62	M80

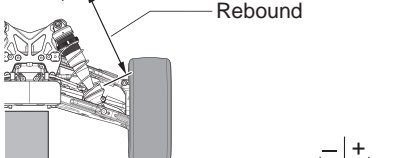
● Ride Height

Front	Rear
22 mm	25 mm



● Rebound

Front	Rear
103 mm	125 mm



● Camber Angle

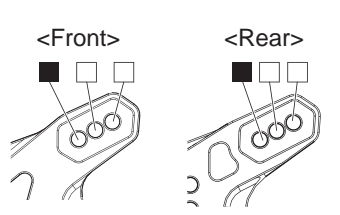
Front	Rear
+ 0 °	+ 3 °



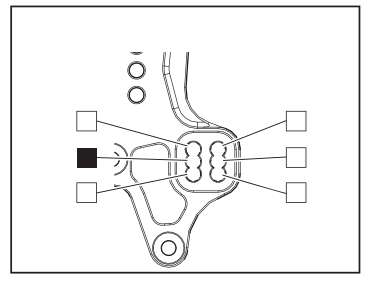
● Wheelbase _____ mm

● Track Width _____ mm

● Shock Mount Position



● Rear Upper Arm Position



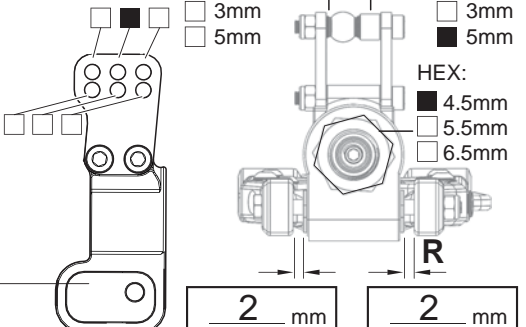
Sus. Arm

Front	<input type="checkbox"/> In <input checked="" type="checkbox"/> Out
Rear	<input type="checkbox"/> In <input checked="" type="checkbox"/> Out

● Rear Hub

<input checked="" type="checkbox"/> Plastic
<input type="checkbox"/> Aluminum

Hub Carrier Bush	<input checked="" type="checkbox"/> Plastic
<input type="checkbox"/> _____	



● Arm

Front	Rear
<input type="checkbox"/> Soft	<input type="checkbox"/> Soft
<input checked="" type="checkbox"/> Hard (Std.)	<input checked="" type="checkbox"/> Hard (Std.)
<input type="checkbox"/> _____	<input type="checkbox"/> _____

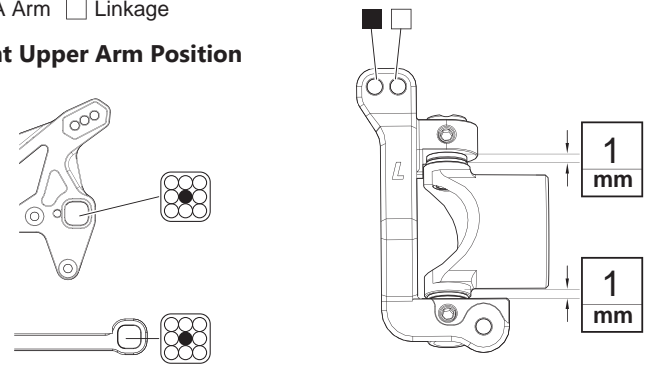
● Front Hub Carrier

<input checked="" type="checkbox"/> Plastic <input type="checkbox"/> Aluminum
<input checked="" type="checkbox"/> 16° <input type="checkbox"/> 20° <input type="checkbox"/> _____°

● Front Upper Arm

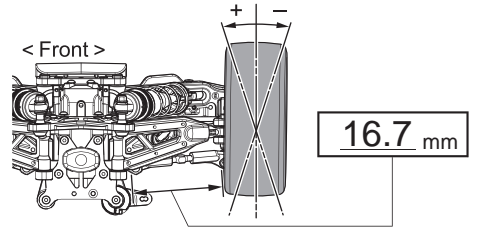
A Arm Linkage

● Front Upper Arm Position



● Toe Angle

Front	
+	0°
-	1°



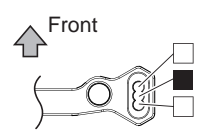
● Front Toe-In



● Rear Toe-In



● Steering Plate



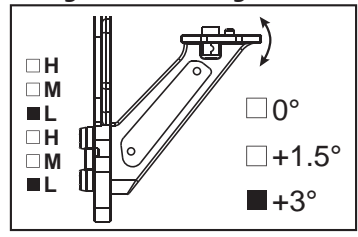
● Sway Bar

Front	Rear
φ 2.5mm	φ 2.8mm
0 mm	0 mm

● Wing

<input type="checkbox"/> High Force	<input type="checkbox"/> _____
<input checked="" type="checkbox"/> Holes	<input type="checkbox"/> _____
<input type="checkbox"/> Without	<input type="checkbox"/> _____

● Wing Position / Angle



Notes

ESC	Motor	Battery		Battery Configuration		Tire	Tire Insert	Wheel	Body
		Shorty: _____ V x _____ Pcs	Standard: _____ V x _____ Pcs	<input type="checkbox"/> STF <input type="checkbox"/> STM <input type="checkbox"/> STR	<input type="checkbox"/> Inward <input type="checkbox"/> Outward				
_____ A	_____ KV	_____ Mah		<input type="checkbox"/> SD2 (Stander 2S)	<input type="checkbox"/> Outward Only				

Diff Gear Set-Up

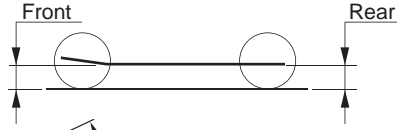
	Front	Center	Rear
Diff. Fluid	# _____	# _____	# _____
	_____ x _____ T	_____ x _____ T	_____ x _____ T

Shock Set-Up

Cap <input type="checkbox"/> Bladder <input type="checkbox"/> Emulsion	Front	Rear
Oil Brand: _____	# _____	# _____
Spring Collar Spacer	_____ mm	_____ mm
Pistons	ϕ _____ x _____	ϕ _____ x _____
Spring		

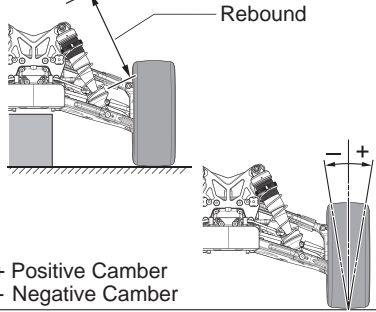
Ride Height

Front	Rear
_____ mm	_____ mm



Rebound

Front	Rear
_____ mm	_____ mm



Camber Angle

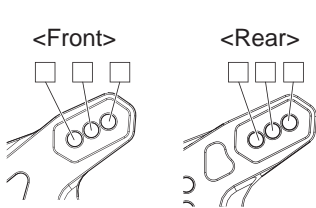
Front	Rear
+ _____ ° - _____ °	+ _____ ° - _____ °

+ Positive Camber
- Negative Camber

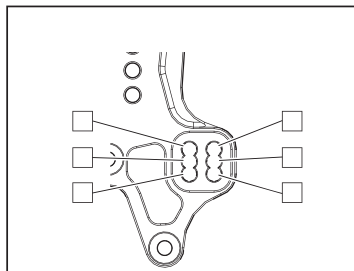
Wheelbase _____ mm

Track Width _____ mm

Shock Mount Position



Rear Upper Arm Position



Sus. Arm

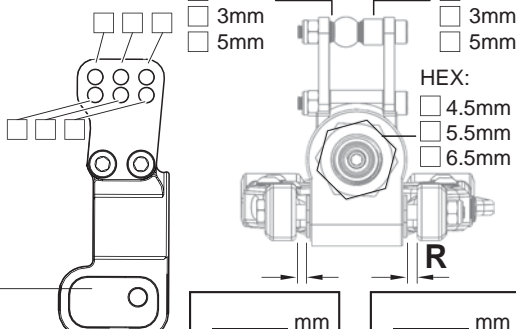
Front	<input type="checkbox"/> In <input type="checkbox"/> Out
Rear	<input type="checkbox"/> In <input type="checkbox"/> Out

Rear Hub

- Plastic
 Aluminum

Hub Carrier Bush

Plastic



Arm

Front	Rear
<input type="checkbox"/> Soft <input type="checkbox"/> Hard (Std.) <input type="checkbox"/> _____	<input type="checkbox"/> Soft <input type="checkbox"/> Hard (Std.) <input type="checkbox"/> _____

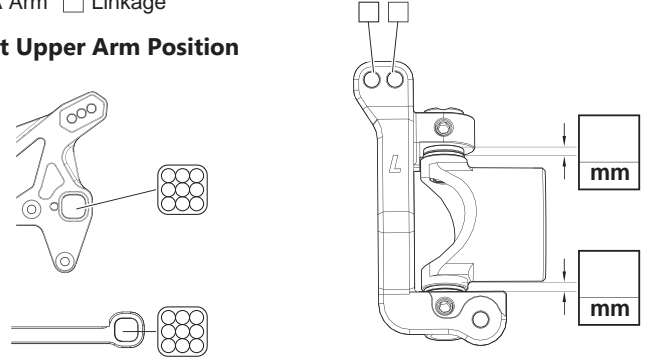
Front Hub Carrier

<input type="checkbox"/> Plastic <input type="checkbox"/> Aluminum
<input type="checkbox"/> 16° <input type="checkbox"/> 20° <input type="checkbox"/> _____°

Front Upper Arm

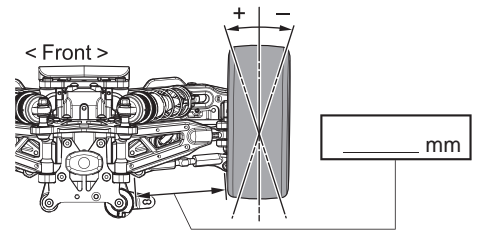
- A Arm Linkage

Front Upper Arm Position



Toe Angle

Front
+ _____ ° - _____ °



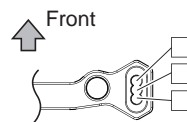
Front Toe-In



Rear Toe-In



Steering Plate



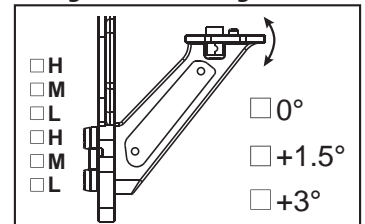
Sway Bar

Front	Rear
ϕ _____	ϕ _____
_____ mm	_____ mm

Wing

- High Force Holes Without

Wing Position / Angle



Notes

PT No.	ITEM	PT No.	ITEM
F80001E	SPARKO F8 1/8 BUGGY KIT(F8E)	F83006-15OP	Carbon Front Arm covers 1.5mm - 2pcs
F80002	Shock Set for Front (Not Assembled)(2pcs)	F83006-20OP	Carbon Front Arm covers 2.0mm - 2pcs
F80003	Shock Set for Rear (Not Assembled)(2Pcs)	F83007-15OP	Carbon Rear Arm covers 1.5mm - 2pcs
F80004	Differential Set Center	F83007-20OP	Carbon Rear Arm covers 2.0mm - 2pcs
F80005	Differential Set F/R	F83008-15OP	Carbon Rear Brace covers 1.5mm - 2pcs
F80009	Front Sway Bar Set 2.0/2.3/2.5/2.8mm	F83008-20OP	Carbon Rear Brace covers 2.0mm - 2pcs
F80010	Rear Sway Bar Set 2.4/2.6/2.8/3.0mm	F83009-15OP	Carbon Wing Mount covers 1.5mm - 2pcs
F80011	Front Sway Bar Set 2.0/2.3/2.4/2.5/2.6/2.7/2.8mm (7pcs)	F83009-20OP	Carbon Wing Mount covers 2.0mm - 2pcs
F80012	Rear Sway Bar Set 2.4/2.5/2.6/2.7/2.8/2.9/3.0mm (7pcs)	F83011-15OP	Carbon wing Mount Cover
F81001	Steering Bellcrank Set	F83012	Carbon Fiber Center Diff. Plate 2.5mm(F8E)
F81002	Front Lower Suspension Arms (Left & Right)	F83013	Carbon Fiber Front Shock Tower 4.5mm
F81004A	Front Upper Suspension Arms Set x2	F83014	Carbon Fiber Rear Shock Tower 4.5mm
F81005	Sway Bar Ball End Set (4pcs)	F83015	Carbon Rear Hub Link 3.0mm (4pcs)
F81006	Front Body Mount	F83016	Carbon Fiber Steering Knuckle Plate 4 holes (R=L) 3.0mm (2pcs)
F81007BK	1/8 Wing Black	F84001	7075 Aluminum Steering Bellcrank
F81007WHOP	1/8 Wing White	F84003	Aluminum Servo Saver Post (Hard Anodizing)
F81007YLOP	1/8 Wing Yellow	F84004	Aluminum Servo Saver Nut with Screw Fixed
F81009	Plastic Arm Holder Insert Set (2set)	F84004-BG	Aluminum Servo Saver Nut with Screw Fixed (Blue Ggrey)
F81010	Plastic steering Shim 1mm (4pcs)	F84005	Aluminum Wheel Nut(Hard Anodizing) (4pcs)
F81011	F/R Gearbox Set	F84006	Aluminum Wheel Hub Axil(L4.5mm)17mm(Hard Anodizing)(2pcs)
F81012	F/R Differential Case	F84007	7075 Aluminum Arm Mount A(Dark Blue)
F81013	Center Diff. Mount Set x2	F84008	7075 Aluminum Upper Link Mount (Dark Blue)
F81015	Rear Lower Suspension Arms (Left & Right)	F84009	7075 Aluminum Front Shock Tower (Dark Blue)
F81016OP	Rear Lower Suspension Arms (Left & Right)(Soft High Tough)	F84010	Aluminum Adjuster Knob 8mm (4pcs)
F81017	Rear Hubs & Insert Set x2	F84011	7075 Aluminum Steering Block
F81018	Bearing Spacers (4pcs)	F84012	7075 Aluminum Caster Block (Left & Right)(16°)
F81019	Rear Upper Arm Linkage Ball End Set x2	F84013-1	Shock Ball Stud Offset 1mm for Front (2pcs)
F81020	Tall Wing Mount	F84013-2	Shock Ball Stud Offset 2mm for Rear (2pcs)
F81021	Front Bumper (2pcs)	F84014	7075 Aluminum Arm Mount B(Dark Blue)
F81022	Rear Body Mount	F84015	7075 Aluminum Arm Mount C(Dark Blue)
F81023	Antenna Tube Set	F84016	Pinion Gear Stopper 5x7x5.1mm (4pcs)
F81025	Front Steering Linkage Ball End Set x2	F84018	7075 Aluminum Rear Shock Tower (Dark Blue)
F81026	Spring Cups & Shock Rod Ends Set x2	F84019	7075 Aluminum Arm Mount D(Dark Blue)
F81027	Shock Cap Bushings (4pcs)	F84022	Aluminum Shock Tower Washers (Titanium Color)
F81028	CNC Delrin Shock Cartridge Set x2	F84023	7075 Aluminum Shock Caps (2pcs)
F81029	Big Bore Tapered Shock Piston 6x1.3mm (2pcs)	F84023-BG	7075 Aluminum Shock Caps (Blue Ggrey) (2pcs)
F81030	Big Bore Tapered Shock Piston 6x1.4mm (2pcs)	F84024	7075 Aluminum Shock Body Seal Retainer (2pcs)
F81031	Buggy Body /Decal Sheets(Clear)	F84024-BG	7075 Aluminum Shock Body Seal Retainer (Blue Ggrey) (2pcs)
F81032	Center Differential Case	F84025	7075 Aluminum Spring Collars (2pcs)
F81033	Servo Horn Set	F84026	7075 Aluminum Front Shock Body (Hard Anodizing)(2pcs)
F81034	Chassis Brace Set	F84027	7075 Aluminum Rear Shock Body (Hard Anodizing)(2pcs)
F81035	Rear Upper Arm Linkage Ball End Short x 4	F84029OP	7075 Aluminum Front Brace (Dark Blue)
F81036OP	Front Lower Suspension Arms (Left & Right)(Soft High Tough)	F84030OP	7075 Aluminum Rear Brace (Dark Blue)
F81037OP	Front Upper Suspension Arms Set x2(Soft High Tough)	F84031OP	7075 Aluminum Steering Blocker (Dark Blue)
F81038OP	Tall Wing Mount(Soft High Tough)	F84032OP	7075 Aluminum Caster Block (Left & Right)(20°)
F81039	Sterring servo Ball End(2pcs)	F84034OP	7075 Aluminum Arm Mount D +1 (Dark Blue)
F81040OP	CNC Rear Hub Insert	F84036OP	7075 Aluminum Servo Horn Steering-25T (Dark Blue)
F81041OP	CNC POM Servo Horn Insert for Throttle (4pcs)	F84037OP	7075 Aluminum Center Diff. Mount
F81042	Receiver Box (F8E)	F84038OP	7075 Aluminum Rear Hub CNC POM Carrier Set(Dark Blue)
F81043	Side Guards(F8E)	F84039OP	Rear Hubs adjust washer 2mm/3mm
F81044	Battery Box 2et	F84040OP	Aluminum wheel Nut (L5.5mm)
F82001	Differential O-Rings (6pcs)	F84041OP	Aluminum wheel Nut (L6.5mm)
F82002	Shock Bladder (2pcs)	F84042OP	Upper Arm Linkage conversion kits
F82003	Shock seal O-Rings (4pcs)	F84043	Motor Ring Mount (F8E)
F82004	Shock Spring Adjust Nut O-Ring (4pcs)	F84044	7075 Aluminum Motor Mount B (F8E)
F82005	Shock Boots Front (4pcs)	F84045	7075 Aluminum Motor Mount C (F8E)
F82006	Shock Boots Rear (4pcs)	F84046	7075 Center Diff. Mount (F8E)
F82007OP	Dustproof Bush for Receiver Box Set x2	F84047	7075 Aluminum Motor Mount A (F8E)
F82008OP	Shock Emulsion (4pcs)	F84048	7075 Fan Mount (F8E)
F83001-30	Carbon Fiber Steering Knuckle Plate(R=L) 3.0mm (2pcs)	F84049	7075 Aluminum Steering Bellcrank (F8E)
F83002-15	Carbon Fiber Front Upper Arm Inserts (R=L) 1.5mm (4pcs)	F84050	7075 Aluminum Chassis (Hard Anodizing) (F8E)
F83002-20OP	Carbon Fiber Front Upper Arm Inserts (R=L) 2.0mm (4pcs)	F84051	7075 Aluminum Steering Plate(F8E)
F83003-30	Carbon Fiber Front Top Plate 3.0mm	F84052	7075 Aluminum Front Brace (Dark Blue) (F8E)
F83005-25	Carbon Rear Hub Link 2.5mm (4pcs)	F84053	Adjust washer 4mm x4

PT No.	ITEM	PT No.	ITEM
F84054OP	7075 17mm Aluminum Covered Serrated Wheel Nut (Dark Blue)4PCS	F85056-17OP	Motor Gear 17T, 5mm(F8E)
F85001	Body Clip(10pcs)	F85056-18OP	Motor Gear 18T, 5mm(F8E)
F85002	Sevro Saver Spring(1pcs)	F85056-19OP	Motor Gear 19T, 5mm(F8E)
F85003	Sevro Saver Shaft(2pcs)	F85056-20OP	Motor Gear 20T, 5mm(F8E)
F85004	Universal Cross Drive Shaft Set (92.5mm)	F89001	Servo Spring Dusty Protect Sponge(2pcs)
F85005	Pin M3.0x16.8mm (4pcs)	F89002	Differential Seals Set (2+1)
F85006	Rear Upper Arm Ball Stud (7mm) (4pcs)	F89004-BK	Body Sticker-Black and White
F85007	Lower Arm Hinge Pin(70mm)(2pcs)	F89004-PKOP	Body Sticker-Pink for Optional
F85008	Upper Arm Hinge Pin(43mm)(2pcs)	F89004-OGOP	Body Sticker-Orange for Optional
F85009	Upper Arm Adjustment Screw(2pcs)	F89004-YLOP	Body Sticker-Yellow for Optional
F85010	Sway Bar Ball Stud(4pcs)	F89005-BK	Wing Sticker-Black and White
F85011OP	Steel Shock Ball Stud 0 Offset for Front/Rear (2pcs)	F89005-PKOP	Wing Sticker-Pink for Optional
F85012	Hard Front Lower Suspension Shaft Screw (2pcs)	F89005-OGOP	Wing Sticker-Orange for Optional
F85013	Spindle Carrier Hinge Insert (4pcs)	F89005-YGOP	Wing Sticker-Yellow for Optional
F85014	Spindle Carrier Hinge Pins (4pcs)		
F85015	Differential Outdrive (2pcs)		
F85016	Center Differential Outdrives (2pcs)		
F85017	Front/Rear Differential Outdrives (2pcs)		
F85018	Internal Differential Gear Set (4+2pcs)		
F85019	Shock Pins (4)		
F85020	Differential Cross Pins (6pcs)		
F85021	Pin M2.2x9.8mm (4pcs)		
F85022	Sevro Steering Turnbuckle M3x30mm (2pcs)		
F85023	Shock Ball Stud 6xL6.7mm (4pcs)		
F85031	Up Arm Linkage Ball Stud (7mm) (4pcs)		
F85032	Rear Outter Hinge Pins (2pcs)		
F85033	Camber Turnbuckle 5x45mm (2pcs)		
F85034	Rear Upper Arm Ball Stud 7.0mm Hex (4pcs)		
F85037	Steering Turnbuckle M4x40mm (2pcs)		
F85038	Steering Turnbuckle Ball Set (4pcs)		
F85039	防刮片 *2PCS		
F85040	Front Shock Shaft (2pcs)		
F85041	Rear Shock Shaft (2pcs)		
F85042	Hex Shanked Button M3x13.7mm (4pcs)		
F85043	Down Stop Screw M4x10mm(4pcs)		
F85046-46	Center Gear 46T with Differential Seal		
F85047-43	Crown Gear 43T with Differential Seal		
F85048-13	Pinion Gear13T		
F85050-20OP	Front Sway Bar 2.0mm		
F85050-23	Front Sway Bar 2.3mm		
F85050-24OP	Front Sway Bar 2.4mm		
F85050-25	Front Sway Bar 2.5mm		
F85050-26OP	Front Sway Bar 2.6mm		
F85050-27OP	Front Sway Bar 2.7mm		
F85050-28OP	Front Sway Bar 2.8mm		
F85051-24OP	Rear Sway Bar 2.4mm		
F85051-25OP	Rear Sway Bar 2.5mm		
F85051-26	Rear Sway Bar 2.6mm		
F85051-27OP	Rear Sway Bar 2.7mm		
F85051-28	Rear Sway Bar 2.8mm		
F85051-29OP	Rear Sway Bar 2.9mm		
F85051-30OP	Rear Sway Bar 3.0mm		
F85052-H62	Shock Spring for Front Hard L=62mm(2pcs)		
F85052-M62OP	Shock Spring for Front Medium L=62mm(2pcs)		
F85052-S62OP	Shock Spring for Front Soft L=62mm(2pcs)		
F85053-H80OP	Shock Spring for Rear Hard L=80mm (2pcs)		
F85053-M80	Shock Spring for Rear Medium L=80mm (2pcs)		
F85053-S80OP	Shock Spring for Rear Soft L=80mm (2pcs)		
F85054	Center Rear Dogbone 118.2mm(F8E)		
F85055	Center Rear Dogbone 97.2mm(F8E)		
F85056-13OP	Motor Gear 13T, 5mm(F8E)		
F85056-14OP	Motor Gear 14T, 5mm(F8E)		
F85056-15	Motor Gear 15T, 5mm(F8E)		
F85056-16OP	Motor Gear 16T, 5mm(F8E)		

PT No.	ITEM
BF030625	Flange Ball Bearing 3x6x2.5mm (4pcs)
BO050825	Ball Bearing 5x8x2.5mm (4pcs)
BO051004	Ball Bearing 5x10x4mm (4pcs)
BO051304	Ball Bearing 5x13x4mm (4pcs)
BO061003	Ball Bearing 6x10x3mm (4pcs)
BO081605	Ball Bearing 8x16x5mm (4pcs)
NF03BK	Flanged Locknut M3 (10pcs)
NO025SL	Nut Lock M2.5mm (10pcs)
NO03BK	Nut Lock M3 (10pcs)
NO03TBK	Nut Lock M3T (10pcs)
NO04BK	Nut Lock M4 (10pcs)
NO03TBK	Nut Lock M3T (10pcs)
SB02505BK	Ball Screw M2.5x5mm (10pcs)
SB02508BK	Ball Screw M2.5x8mm (10pcs)
SB0305BK	Ball Screw M3x5mm (10pcs)
SB0306BK	Ball Screw M3x6mm (10pcs)
SB0308BK	Ball Screw M3x8mm (10pcs)
SB0310BK	Ball Screw M3x10mm (10pcs)
SB0312BK	Ball Screw M3x12mm (10pcs)
SB0314BK	Ball Screw M3x14mm (10pcs)
SB0315BK	Ball Screw M3x15mm (10pcs)
SB0316BK	Ball Screw M3x16mm (10pcs)
SB0320BK	Ball Screw M3x20mm (10pcs)
SB0323BK	Ball Screw M3x23mm (10pcs)
SB0325BK	Ball Screw M3x25mm (10pcs)
SC0206BK	Cap Screw M2x6mm (10pcs)
SC0308BK	Cap Screw M3x8mm (10pcs)
SC0310BK	Cap Screw M3x10mm (10pcs)
SC0312BK	Cap Screw M3x12mm (10pcs)
SC0316BK	Cap Screw M3x16mm (10pcs)
SC0322BK	Cap Screw M3x22mm (10pcs)
SC0323BK	Cap Screw M3x23mm (10pcs)
SC0325BK	Cap Screw M3x25mm (10pcs)
SC0328BK	Cap Screw M3x28mm (10pcs)
SF02046BK	Flat Screw M2.0x4.6mm 1.5 Hex (10pcs)
SF0306BK	Flat Screw M3x6mm (10pcs)
SF0308BK	Flat Screw M3x8mm (10pcs)
SF0310BK	Flat Screw M3x10mm (10pcs)
SF0312BK	Flat Screw M3x12mm (10pcs)
SF0314BK	Flat Screw M3x14mm (10pcs)
SF0335BK	Flat Screw M3x35mm (10pcs)
SF0408BK	Flat Screw M4x8mm (10pcs)
SF0410BK	Flat Screw M4x10mm (10pcs)
SF0414BK	Flat Screw M4x14mm (10pcs)
SF0416BK	Flat Screw M4x16mm (10pcs)
SS0303BK	Set Screw M3x3mm Set (10pcs)
SS0304BK	Set Screw M3x4mm Set (10pcs)
SS0404BK	Set Screw M4x4mm Set (10pcs)
SS0504BK	Set Screw M5x4mm Set (10pcs)
WO0260660	Shock Piston Washer 2.6x6x0.6mm (10pcs)
WO030801	Shim 3x8x1mm (10pcs)
WO030510	Shim 3x5x0.1mm (10pcs)
WO0351020	Differential Shim 3.5x10x0.2mm (12pcs)
WO050840	Shim 5x8xT0.4mm (10pcs)
WO050880	Shim 5x8xT0.8mm Shim (10pcs)
WO051230	Differential Shim 5x12x0.3mm (6pcs)
WO060830	Shim 6x8x0.3mm (10pcs)
WO081020	Hex Shim 8x10x0.2mm (10pcs)
WO131620	Differential Shim 13x16x0.2mm (10pcs)
WS0305510	Spring Washer M3x5.5x1mm(10pcs)

EVOLVA

FORMULA EIGHT ELECTRIC



SPARKO

WWW.SPARKORACING.COM