

ESC	Motor	Battery		Battery Configuration		Tire	Tire Insert	Wheel	Body
		Shorty: ___ V x ___ Pcs	Standard: ___ V x ___ Pcs	<input type="checkbox"/> STF <input type="checkbox"/> STM <input type="checkbox"/> STR	<input type="checkbox"/> Inward <input type="checkbox"/> Outward				
___ A	___ KV	___ Mah		<input type="checkbox"/> SD2 (Stander 2S)	<input type="checkbox"/> Outward Only				

Diff Gear Set-Up

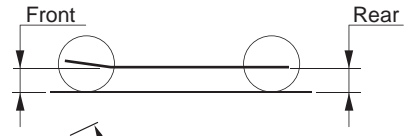
	Front	Center	Rear
Diff. Fluid	#	#	#
	___ x ___ T	___ x ___ T	___ x ___ T

Shock Set-Up

Cap <input type="checkbox"/> Bladder <input type="checkbox"/> Emulsion	Front	Rear
Oil Brand: _____	#	#
Spring Collar Spacer	mm	mm
Pistons	φ ___ x ___	φ ___ x ___
Spring		

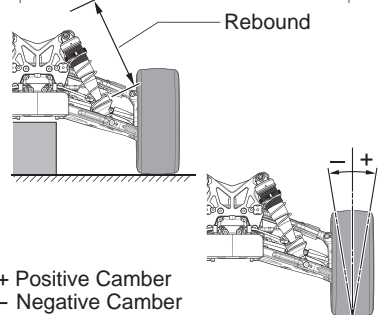
Ride Height

Front	Rear
mm	mm



Rebound

Front	Rear
mm	mm



Camber Angle

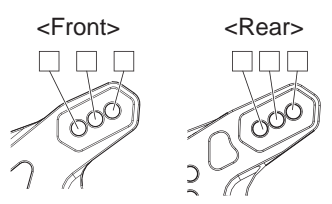
Front	Rear
+ °	+ °
- °	- °

+ Positive Camber
- Negative Camber

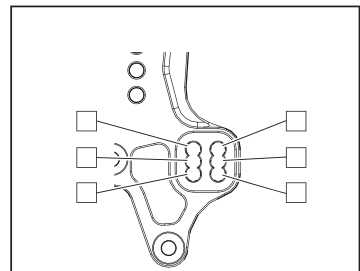
Wheelbase _____ mm

Track Width _____ mm

Shock Mount Position



Rear Upper Arm Position



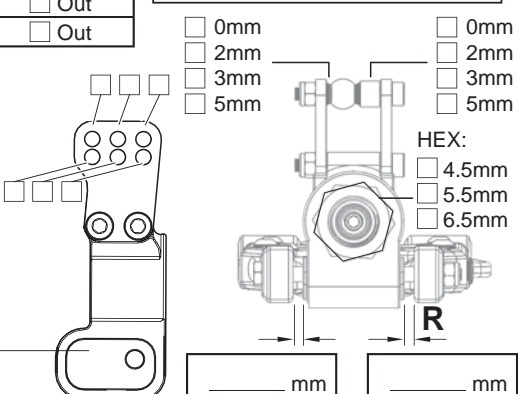
Sus. Arm

Front	<input type="checkbox"/> In	<input type="checkbox"/> Out
Rear	<input type="checkbox"/> In	<input type="checkbox"/> Out

Rear Hub

- Plastic
- Aluminum

Hub Carrier Bush	<input type="checkbox"/> Plastic	<input type="checkbox"/> _____
	<input type="checkbox"/>	<input type="checkbox"/>
	<input type="checkbox"/>	<input type="checkbox"/>



Arm

Front	Rear
<input type="checkbox"/> Soft	<input type="checkbox"/> Soft
<input type="checkbox"/> Hard (Std.)	<input type="checkbox"/> Hard (Std.)
<input type="checkbox"/>	<input type="checkbox"/>

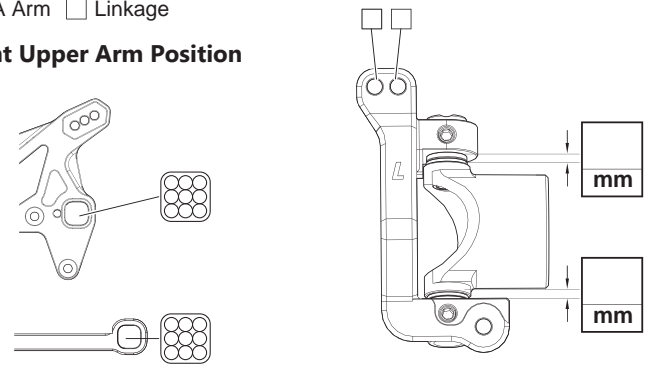
Front Hub Carrier

<input type="checkbox"/> Plastic	<input type="checkbox"/> Aluminum	
<input type="checkbox"/> 16°	<input type="checkbox"/> 20°	<input type="checkbox"/> _____°

Front Upper Arm

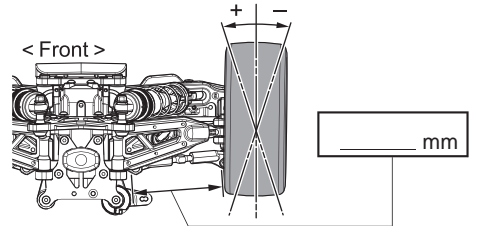
- A Arm
- Linkage

Front Upper Arm Position



Toe Angle

Front
+ °
- °



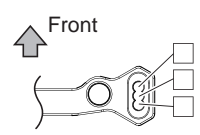
Front Toe-In



Rear Toe-In



Steering Plate



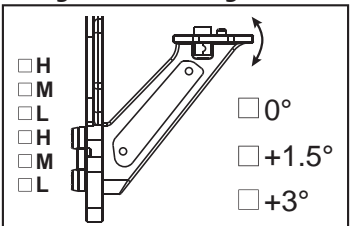
Sway Bar

Front	Rear
φ	φ
mm	mm

Wing

- High Force
- Holes
- Without

Wing Position / Angle



Notes