

S12-2C

1/10 Off-Road 2WD Racing Electric



SWORKZ S12-2C EVO INSTRUCTION MANUAL

S12-2C EVO

1/10 Off Road 2WD Racing Electric Buggy

INSTRUCTION

The SWORKz S12-2C Evolution (S12-2C EVO) (Carpet Edition) 1/10 2WD is designed for pure racing. It is an evolution from the successful S12-2C platform. The new geometry of the car provides optimized corner speeds and easy handling on carpet and very high grip tracks.

The S12-2C EVO features a new carpet version gear box system on a T7075 hard anodized and lightened aluminum chassis. It has a layout that allows up to 6 different battery positions. The flex of the chassis can be changed by adjusting the sideguards.

The S12-2C EVO comes with SWORKz brand new designed 1/10 Pro-Shock System (Short version). The shocks come with new Emulsion Precision Plastic Shock Caps, Shock Pistons with Seal Parts. The kit comes standard with a 4mm carbon carpet version front shock tower and newly designed front C-Hubs. The Teflon coated shock shafts provides smooth shock reactions. Black Line springs which are newly designed with rotation fixed spring holders comes standard in the SWORKz S12-2C EVO kit.

A brand new 5.5mm linkage ball stud system are included in the S12-2C EVO kit. Adjustable Ackermann plate and Carbon steering plates are included too. The S12-2C EVO has new angled lower arms that provide a lower Shock position which leads to a lower center of gravity.

The kit is equipped with a quick release gear differential system, which can be mounted in 3 different positions. The rear lower arms are angled and the rear shock tower (carpet version) has got different height positions. The weight of the gearbox is optimized to a perfect balance between size and strength.

The rear shock tower (carpet version) of the S12-2C EVO is made of carbon. The wing mount holder's height and angle can be adjusted. The rear width of the S12-2C EVO can be changed with the new Synthesis Rear Hub System and rear CVD modularity.

The SWORKz S12-2C EVO has a front sway bar and a completely new rear sway bar holder system.

The 2-Pad Slipper of the SWORKz S12-2C EVO comes with hard anodized plates, high temperature resistant slipper pads and a spur gear protection with a engraved SWORKz logo.

The S12-2C EVO body shell has good aerodynamics.

The SWORKz development team focused on using materials, corresponding to the highest quality standards, when designing the car. You will find only 100% SWORKz quality in the S12-2C EVO kit.

Congratulations on your purchase of the new SWORKz S12-2C EVO 1/10 scale off-road racing buggy and thanks for trusting in SWORKz.

Please read this manual carefully before you start to build and drive your SWORKz S12-2C EVO. This manual contains step-by-step instructions to help you complete, prepare and fine tune your buggy for racing. Updates, setups, and product news will be posted on SWORKz digital media.

As always, if you should ever have any questions or need help with your SWORKz products, please feel free to contact our official SWORKz dealers and distributors.

S12-2 Chassis Features :

1. T7075 hard anodized & lightened aluminum chassis
2. Adjustable flex system with various sideguards
3. 6 different battery positions
4. 4mm Carbon shock tower
5. New C-Hub geometry
6. Changeable Ackerman plate
7. Carbon steering knuckle plates
8. Front sway bar system
9. Super light anodized front wheel axles
10. Front wing mount with 65mm front wing
11. Front aluminum toe in plate
12. Front lower arms in angled design
13. Easy adjustable Ackerman plate
14. The brand 5.5mm linkage ball stud system
15. Adjustable differential position
16. Quick differential release system
17. Lower shock position design with adjustable shock tower position
18. Brand new design SWORKz 1/10 Pro Shock System (Shorty version)
19. Adjustable rear wing height
20. Adjustable rear wing angle
21. Rear width adjustable with hubs included length adjustable CVD
22. New Synthesis Rear Hub System
23. Fully adjustable square aluminum toe in plate "SWORKz" engraved
24. New designed rear sway bar holder
25. Rear wheel hex hard anodized
26. Rear Carbon Shock tower
27. Super light CAD optimized gearbox
28. 2 Pad Slipper System with hard anodized plates
29. Slipper Anti-Clock rotation adjustment
30. High temperature resistant slipper pads
31. Spur gear protection with laser Logo
32. Precision plastic emulsion shock cap system
33. Unique designed shock stud screws
34. Hard anodized stock studs
35. Black line shock spring
36. Rotation protected spring holder
37. Teflon hard coated shock shaft
38. Hard coated shock body
39. 6 Ball bearings servo system
40. Quick release electronic plate
41. Battery pad included
42. Balanced motor position
43. Body shell with optimized aerodynamic design



Specification	
Length:	410mm
Width:	242-248mm
Height:	148mm
Ground Clearance:	40mm
Wheelbase:	282-284mm
Track:	F:220mm / R221mm
Gear Ratio:	S:81/21T
Weight:	1380g+/-10g (Race Condition)

WARRANTY

Your SWORKz S12-2C EVO kit warranty covers workmanship and manufacturing defects of the original and unmodified parts. Warranty claims resulting from crashes, abuse, improper operation, improper mounting, improper adjustment or lack of maintenance will not be honored.

Contact your local hobby shop or SWORKz distributor for all claims and questions. Claims must be well documented. All Claims are subject to expert examination approval by SWORKz.



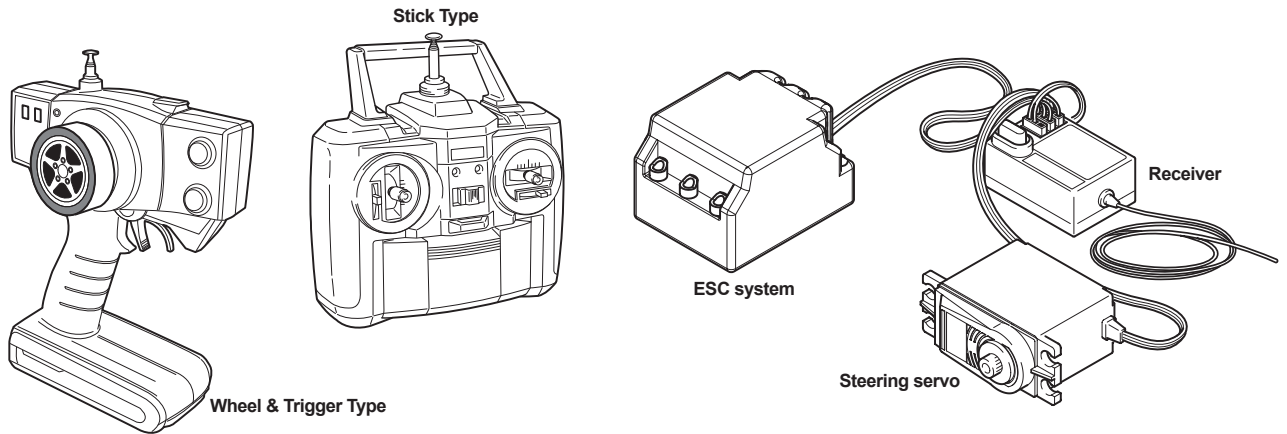
INSTRUCTION	2
Warranty	3
INDEX	4
Required Equipment for Operation	5
Operation Guide	6
Assembly Steps	7-26
Set-up Sheet	27
Blank Set-up Sheet	28
S12-2C EVO Key No.List	29
S12-2C EVO Spare Part List	30
S12-2C EVO Option Part List	31
Explosion view with spare parts number	32-35
End cover	36



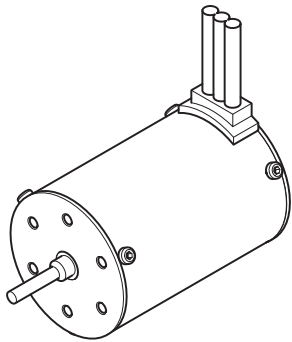
**This radio control racing car is not a toy!
This high-performance R/C model is recommended for ages
14 and older.**

Required Equipment for Operation

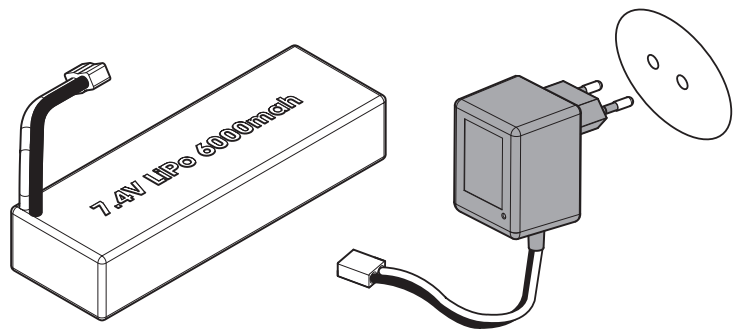
Radio Gear



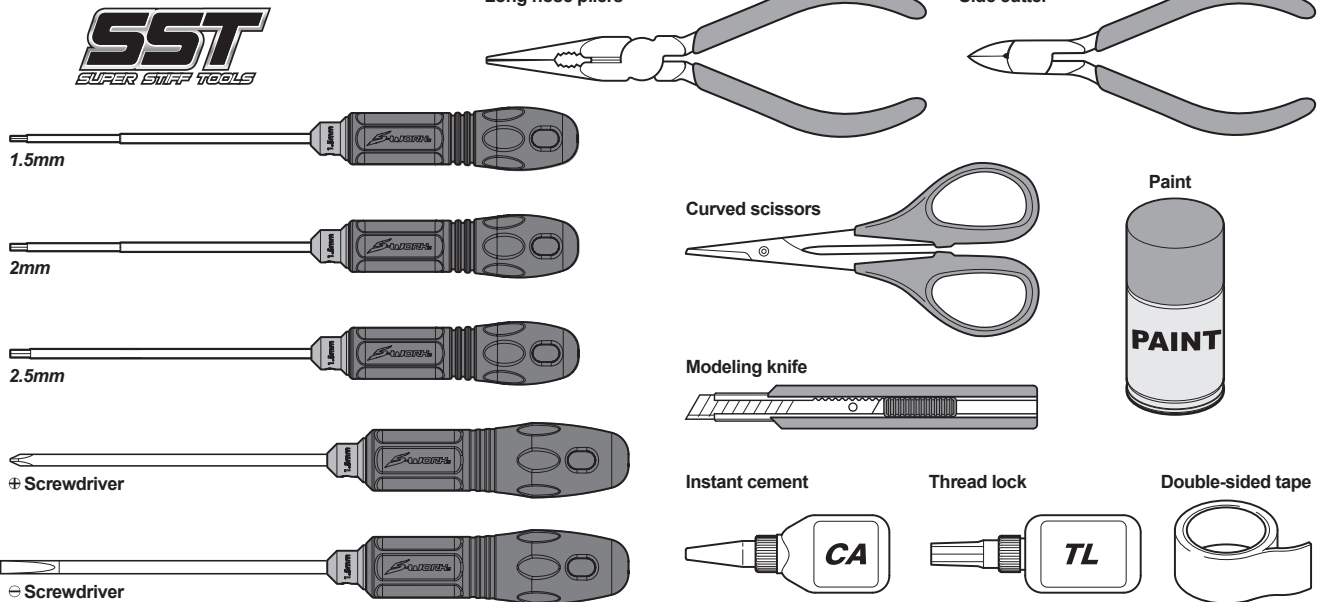
Breshless Motor



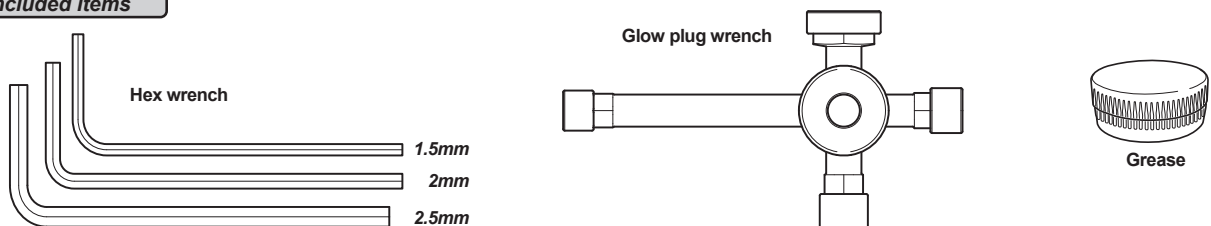
Charger and LiPo Battery



Tools Recommended



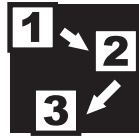
Included items



Operation Guide



Assemble front and rear



Assemble in the specified order



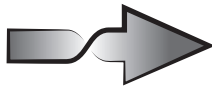
Assemble both left and right sides



Assemble for 2 sets



Assemble for 4 sets



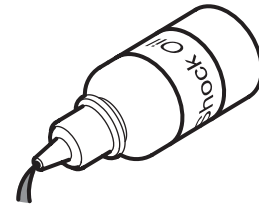
overturn



Thread Locking Compound



Grease



Pure Silicone Oil

Safety Precautions

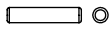
The SWORKz S12-2C EVO is a high performance radio control model which needs to be operated with caution and common sense.

The S12-2C EVO Pro Kit is not intended for children under the age of 14 without adult supervision. SWORKz shall not be held liable for any loss or damages, whether direct, indirect, act of nature, arising from abuse or misuse of this product or any other product required.

- The LiPO Battery can be dangerous if improperly handled.
- Always keep your LiPO Battery in a cool area and never use it near flames, sparks, or while smoking.
- Keep your LiPO Battery, and all other flammables, out of the reach of children.
- After running your car, all parts of the Motor and ESC can become extremely hot. Be careful not to touch these parts.
- This model is controlled by your radio controller and can be vulnerable to interference from many outside sources. This interference can cause a loss of control so it is necessary to operate this model in an open area to avoid personal or property damage. Always ensure turning on your radio first.
- Keep all the products included in the package out of the reach of children.
- This model contains many fast rotating parts. Never touch them during operation.
- Follow the instructions included with your radio gear.
- Never operate your model near people or property. The speed of this model has the potential to injure people and or damage property if misused.
- Always use original SWORKz spare parts and option parts.
- Always ensure that the buggy is in proper working condition before use.
- Always exercise caution when using any tools.

BAG B

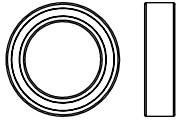
1



330283
Pin M2x10mm x2



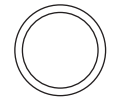
400002
O-ring S5 4.8x1.5 x2



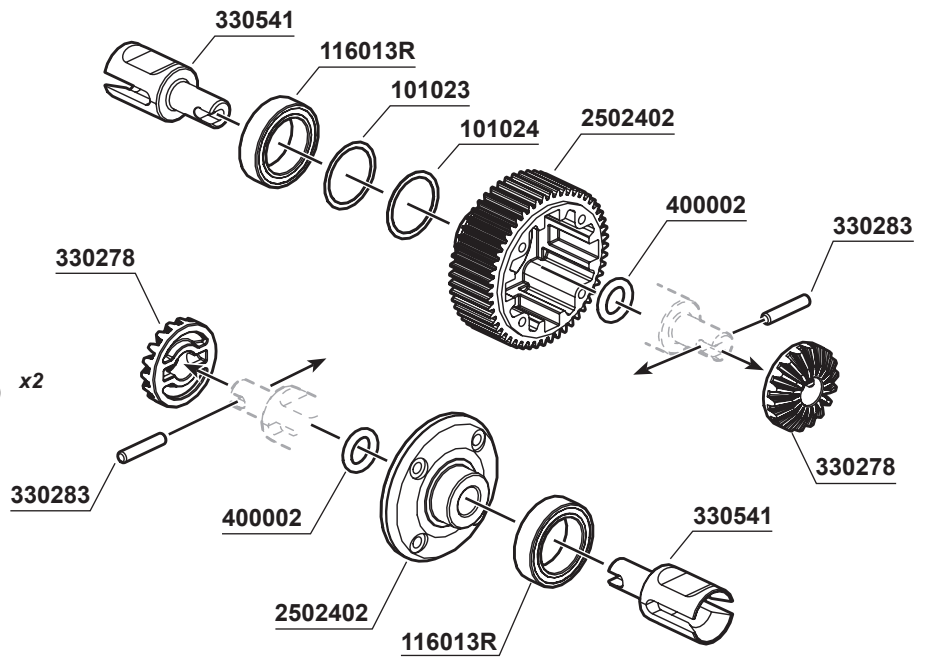
116013R
Ball Bearing 10x15x4mm (Red Rubber Case) x2



101024
10x12x0.2mm S104 Shim x1



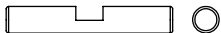
101023
10x12x0.1mm S104 Shim x1



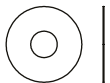
2



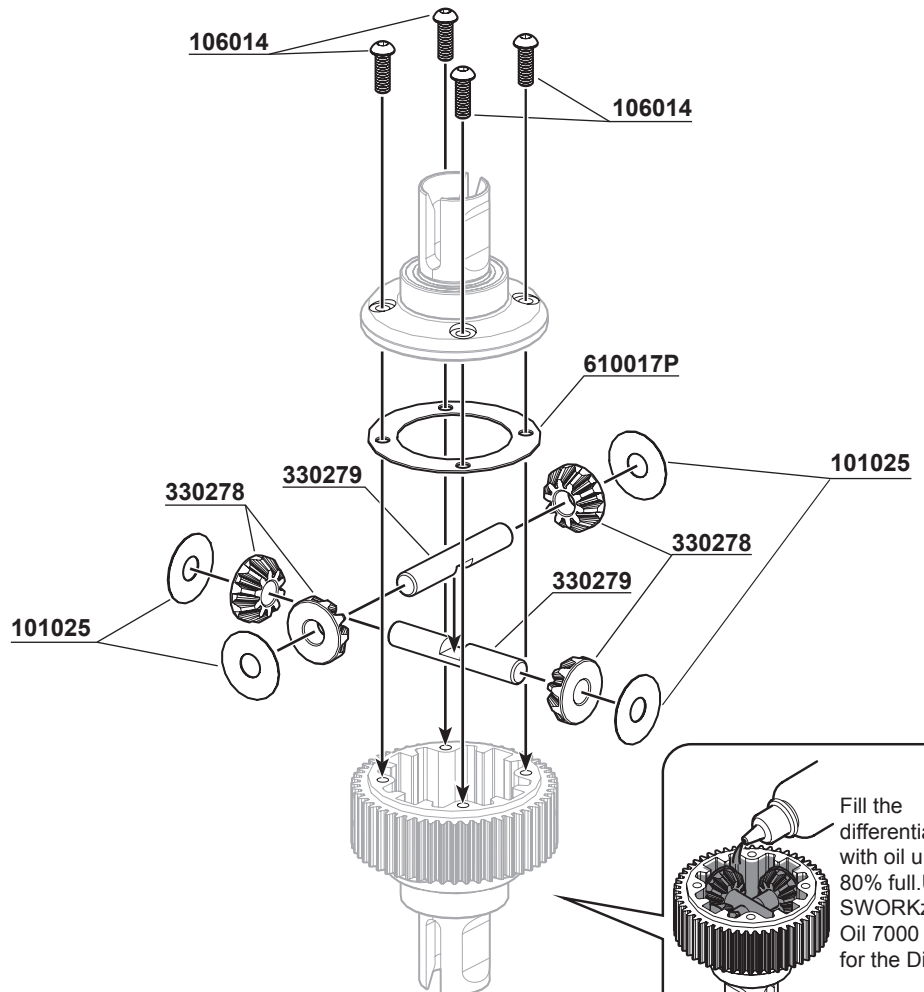
106014
M2x6mm Hex Socket OH/TP Screw x4



330279
Bevel Gear Shaft x2

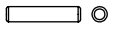


101025
Shim 3.5x10x0.1mm x4



BAG C

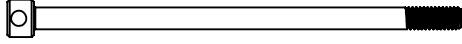
3



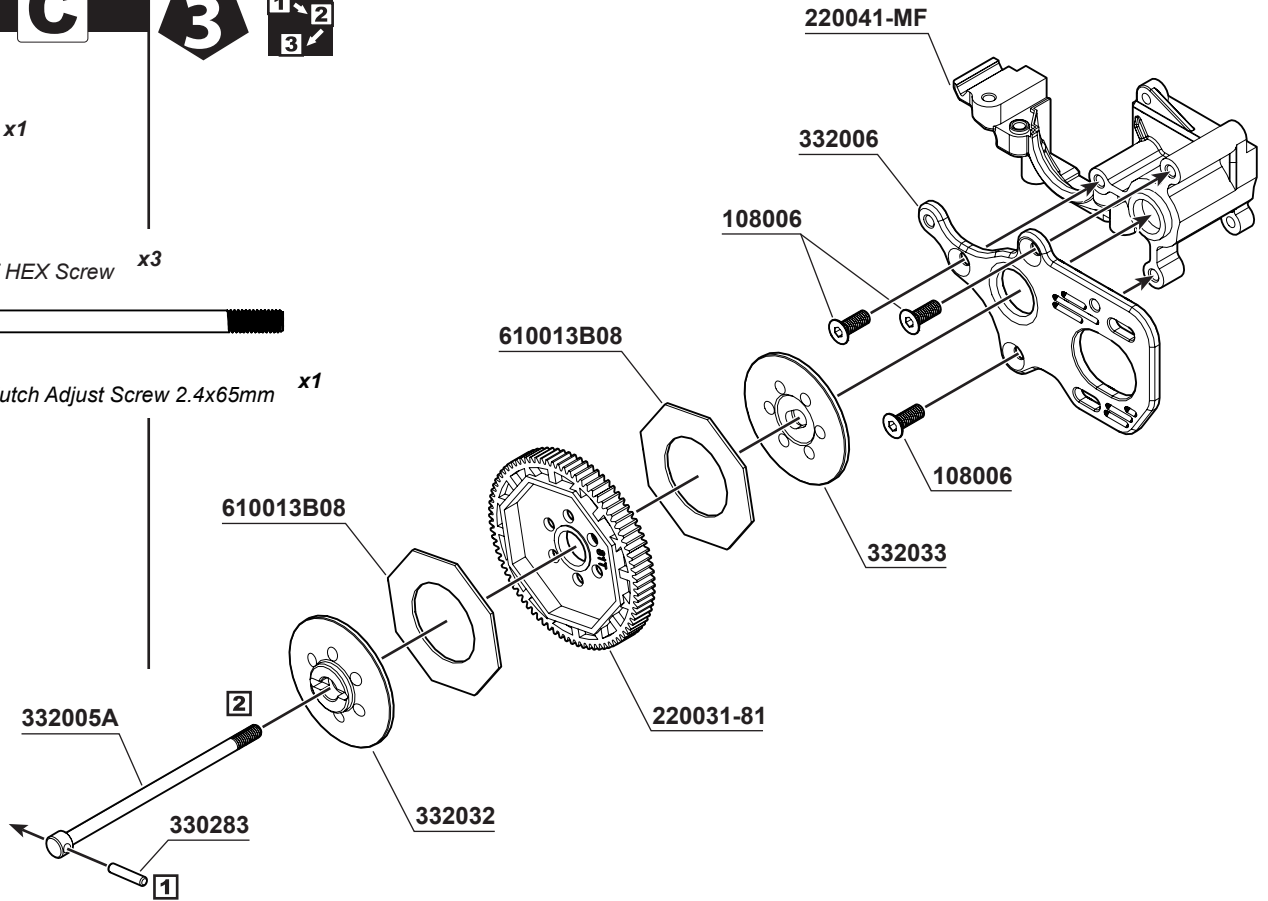
330283
Pin M2x10mm x1



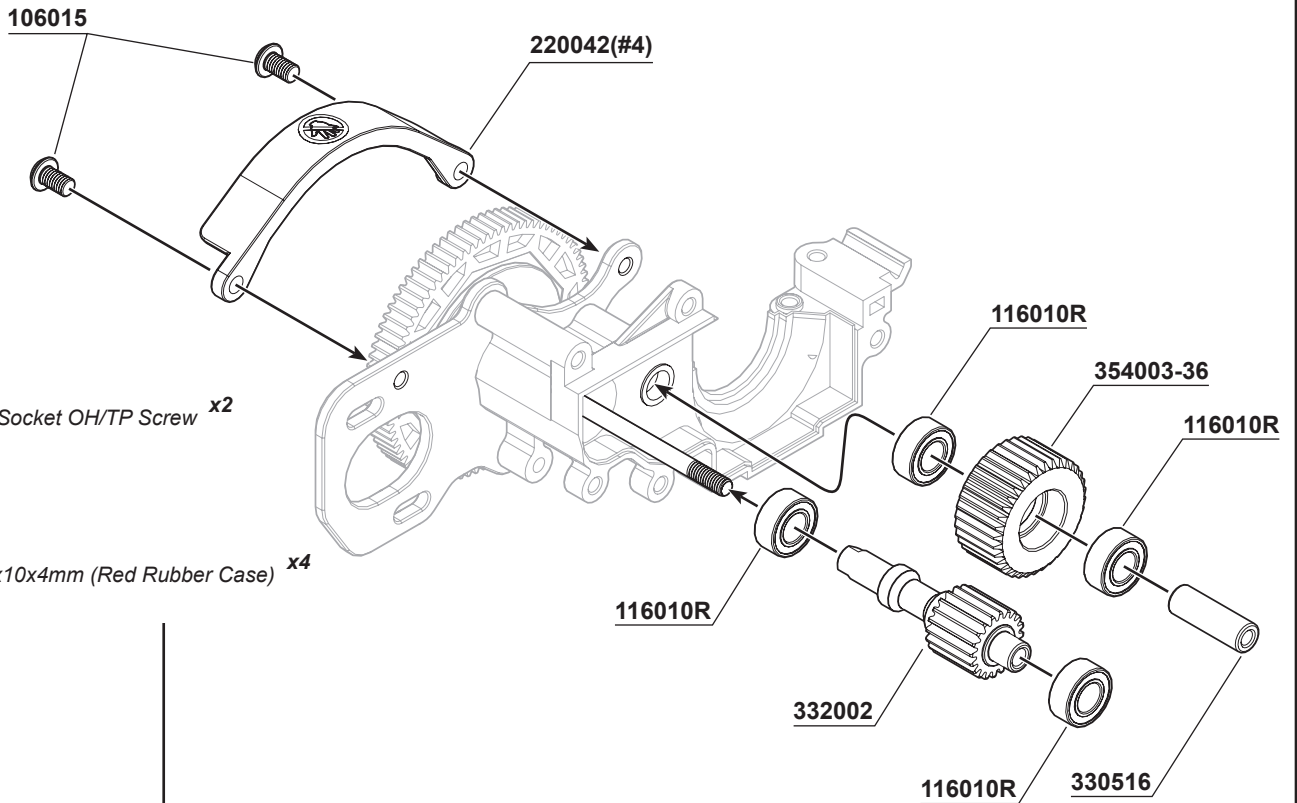
108006
M3x8mm FH/ST HEX Screw x3



332005A
S12-2 Slipper Clutch Adjust Screw 2.4x65mm x1



4



106015
M3x5mm Hex Socket OH/TP Screw x2



116010R
Ball Bearing 5x10x4mm (Red Rubber Case) x4



101012 Washer M3x6xT0.5mm x2



103001 M3 Nut Lock x1



106001 M3x8mm Hex Socket OH/TP Screw x3



106002 M3x10mm Hex Socket OH/TP Screw x2



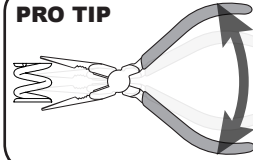
106003 M3x16mm Hex Socket OH/TP Screw x1



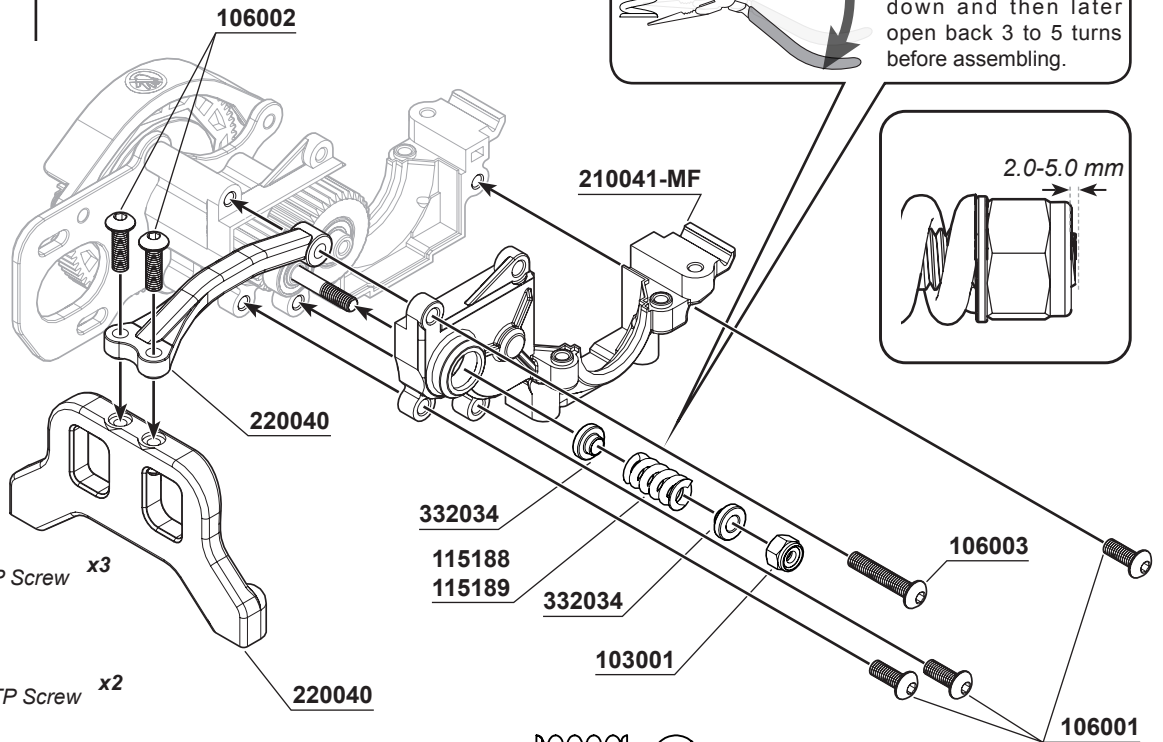
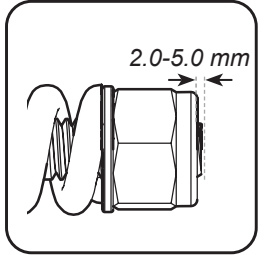
115188 SWORKz 1/10 Slipper Clutch Spring (D1.4x12mm) x1

115189 SWORKz 1/10 Slipper Clutch Spring (D1.6x12mm)(RD) x1

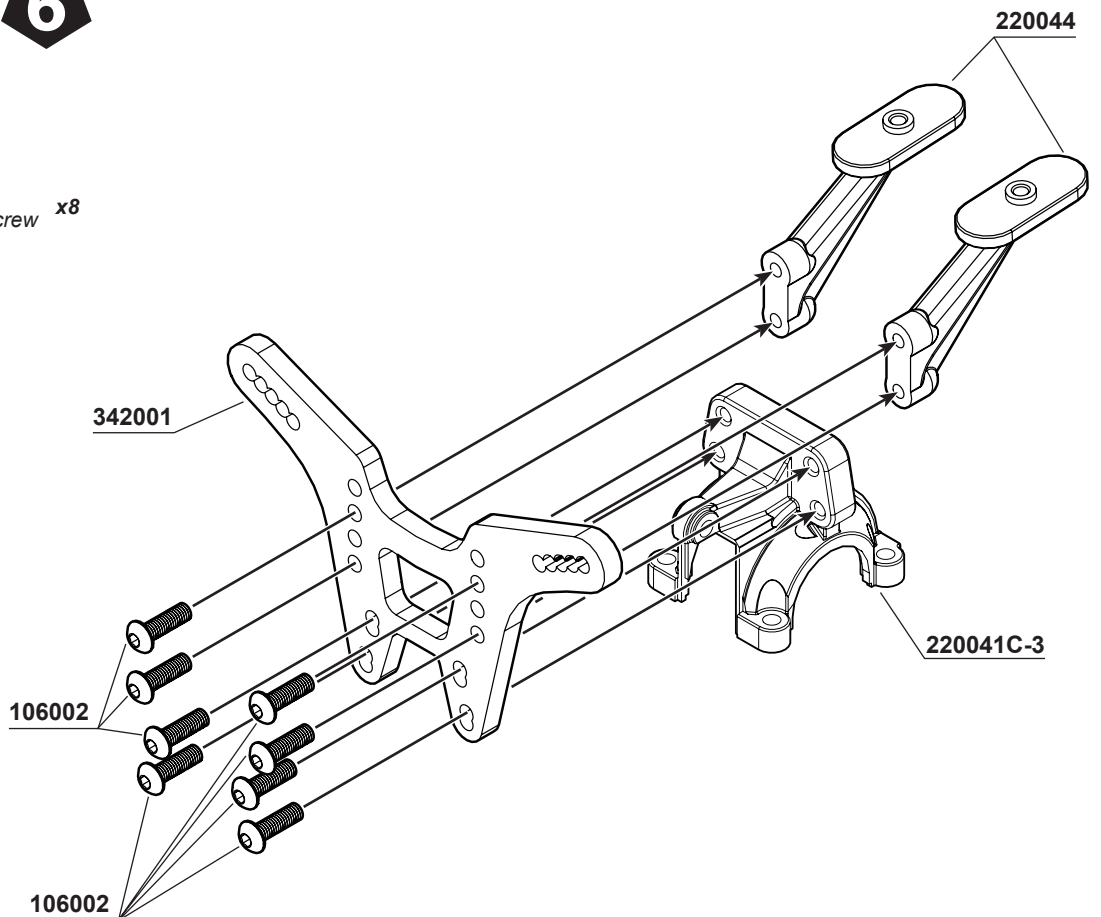
PRO TIP



Use a clamp to tighten and turn the slipper clutch spring all the way down and then later open back 3 to 5 turns before assembling.



106002 M3x10mm Hex Socket OH/TP Screw x8

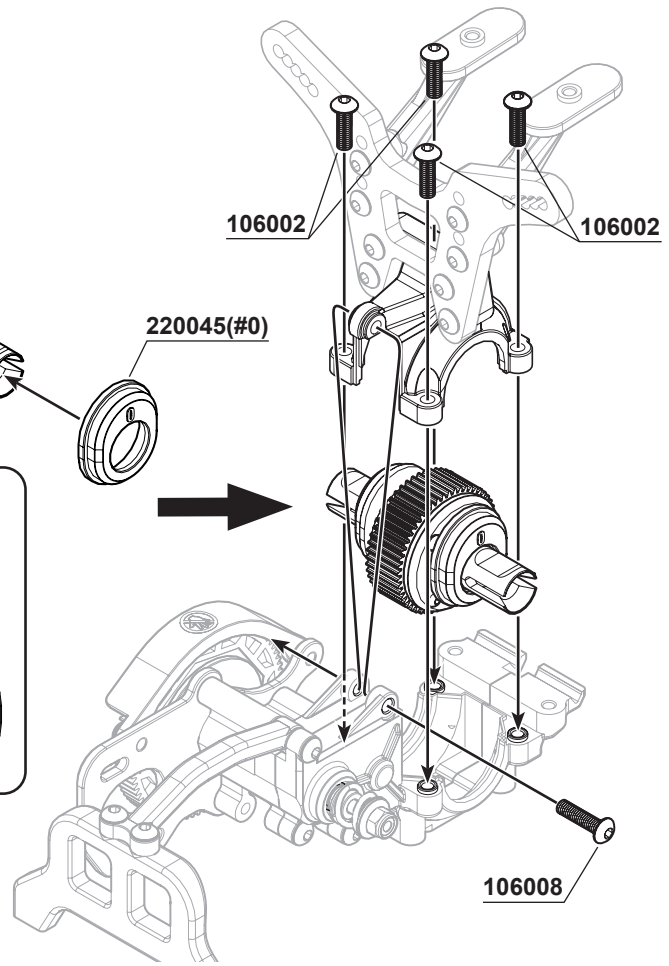


106002
M3x10mm Hex Socket OH/TP Screw x4

106008
M3x12mm Hex Socket OH/TP Screw x1

220045(#0)

PRO TIP:
The part 220045 (S12-2 Gear Box Inserts) can be put in 4 different degrees. The basic position to start is zero degree which is the lowest position to the chassis. You can change to +1, +2 or +3 degree for lower grip conditions.



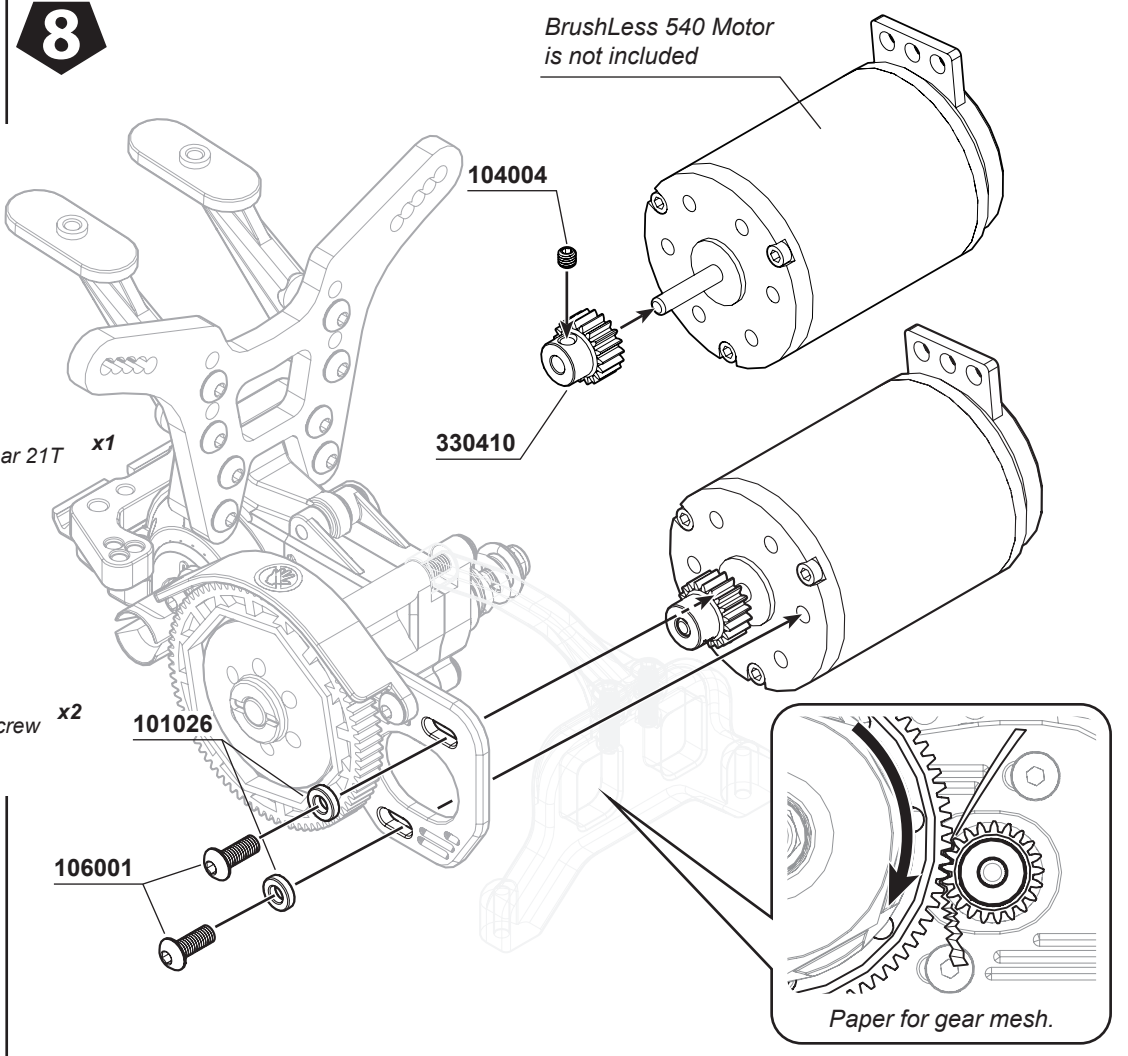
104004
M3x3mm Set Screw x1

101026
Washer M3x6xT1.5mm x2

330410
SWORKz 1/10 Motor Pinion Gear 21T x1

106001
M3x8mm Hex Socket OH/TP Screw x2

BrushLess 540 Motor is not included



OPTION:

SW-220037H

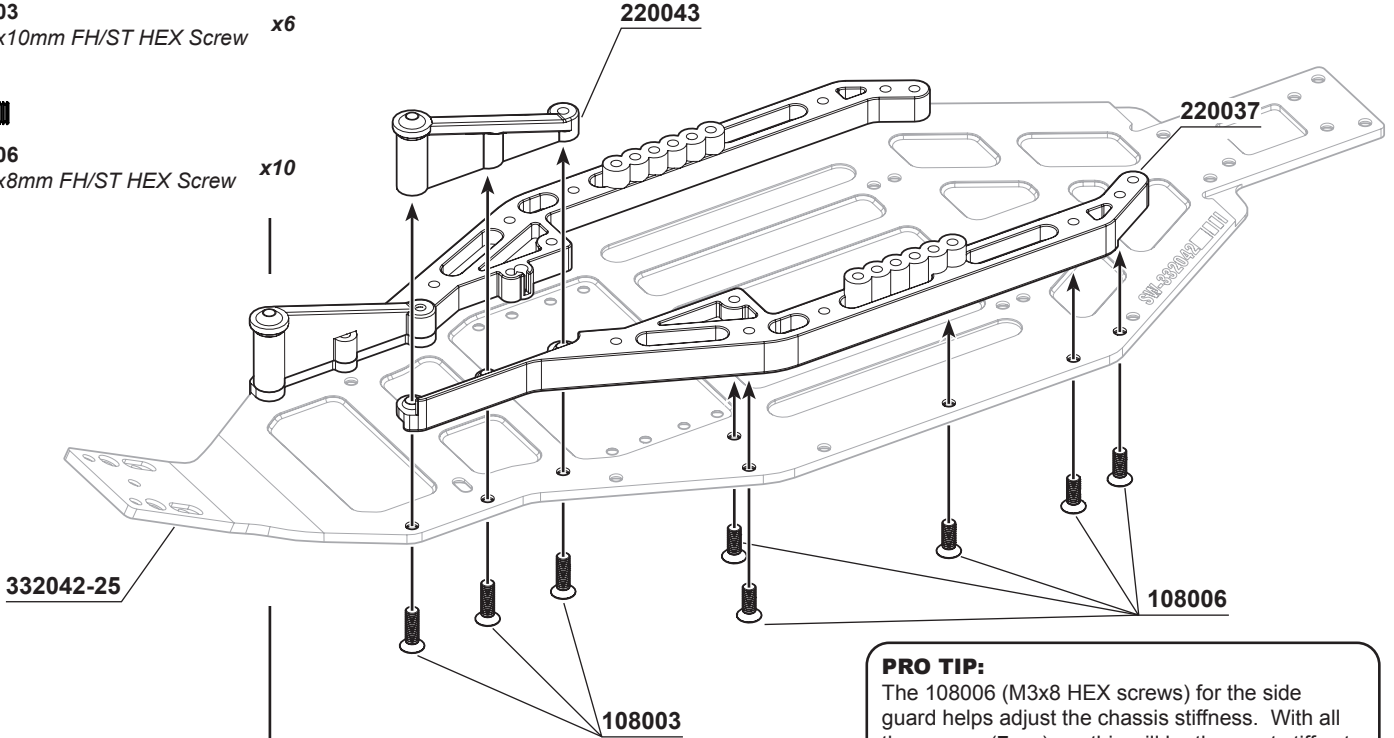
S12-2 Side Guard Set in Pro-composite Hard Material



108003
M3x10mm FH/ST HEX Screw x6



108006
M3x8mm FH/ST HEX Screw x10



PRO TIP:

The 108006 (M3x8 HEX screws) for the side guard helps adjust the chassis stiffness. With all the screws (7pcs) on, this will be the most stiff set up for the chassis and will provide the least grip. Standard suggestion to start build is with 4 screws.

10



OPTION:

SW-115173

S12-2 Front Sway Bar 1.1mm

SW-115174

S12-2 Front Sway Bar 1.2mm

SW-115175

S12-2 Front Sway Bar 1.3mm



108006
M3x8mm FH/ST HEX Screw x2



108014
M3x4mm FH/ST HEX Screw x1



106020
M2.5x5mm Hex Socket OH/TP Screw x2



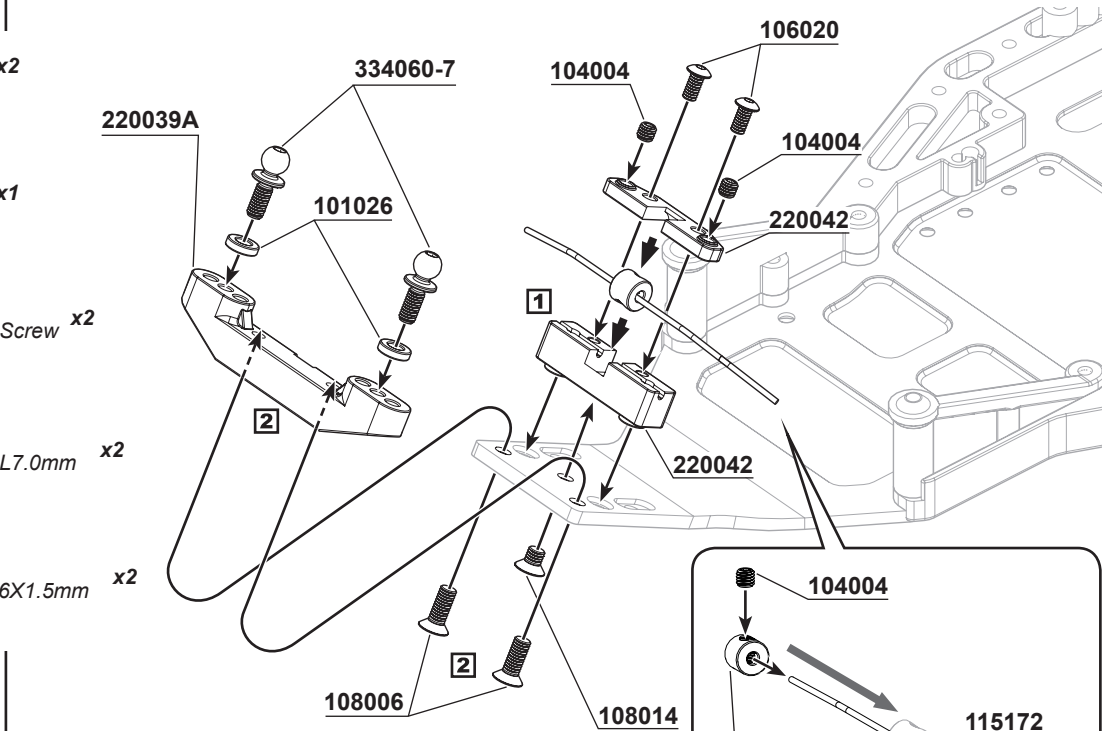
334060-7
Steering Linkage Ball Stud 5.5-L7.0mm x2



101026
SWORKz Aluminum Washer 3X6X1.5mm x2



104004
M3x3mm Set Screw x3



OPTION:

SW-332028

S12-2 Aluminum Front Upper Arm Holder

11



106002
M3x10mm Hex Socket OH/TP Screw x2



330331
Steering Linkage Ball Stud 5mm x1



334060-4
Steering Linkage Ball Stud 5.5-L4.0mm x2



116015
Ball Bearing 5x8x2.5mm x4



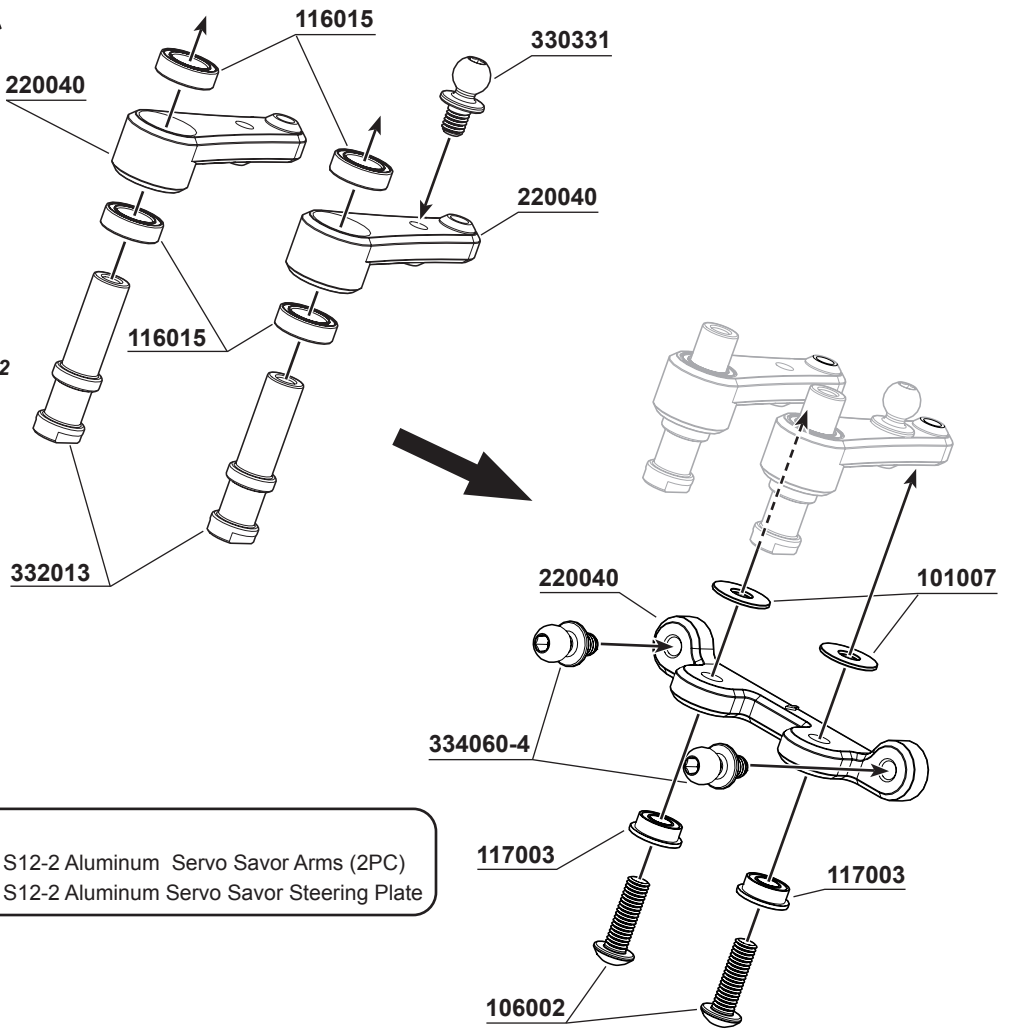
117003
Flange Ball Bearing 3x6x2.5mm x2



101007
Washer 3x8x0.5mm x2

OPTION:

SW-332045 S12-2 Aluminum Servo Savor Arms (2PC)
SW-332046 S12-2 Aluminum Servo Savor Steering Plate

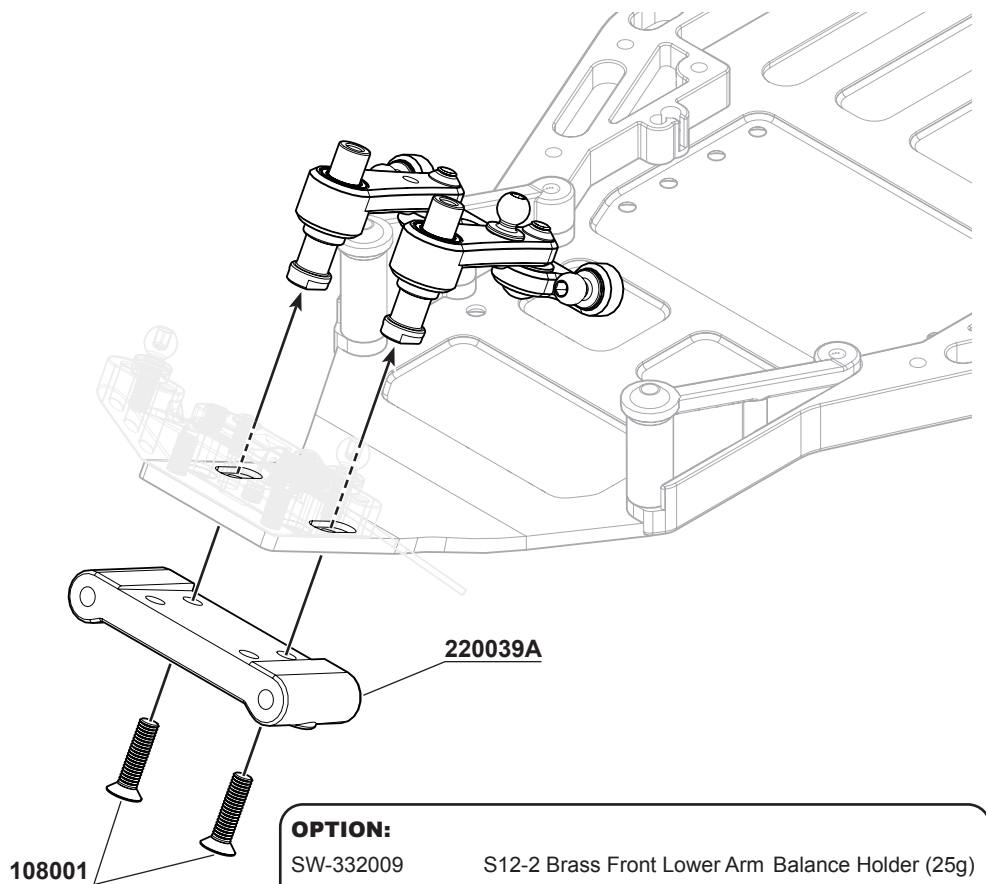


BAG D

12



108001
M3x12mm FH/ST HEX Screw x2



OPTION:

SW-332009 S12-2 Brass Front Lower Arm Balance Holder (25g)
SW-332051 S12-2 Series Aluminum Front Lower Arm Holder

13



106002
M3x10mm Hex Socket OH/TP Screw x4



108006
M3x8mm FH/ST HEX Screw x3



104012
M3x12mm Set Screw x1



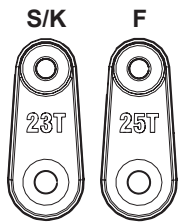
101012
Washer M3x6xT0.5mm x4



101026
SWORKz Aluminum Washer 3X6X1.5mm x1



330643
Steering Linkage Ball Stud 5mm x2

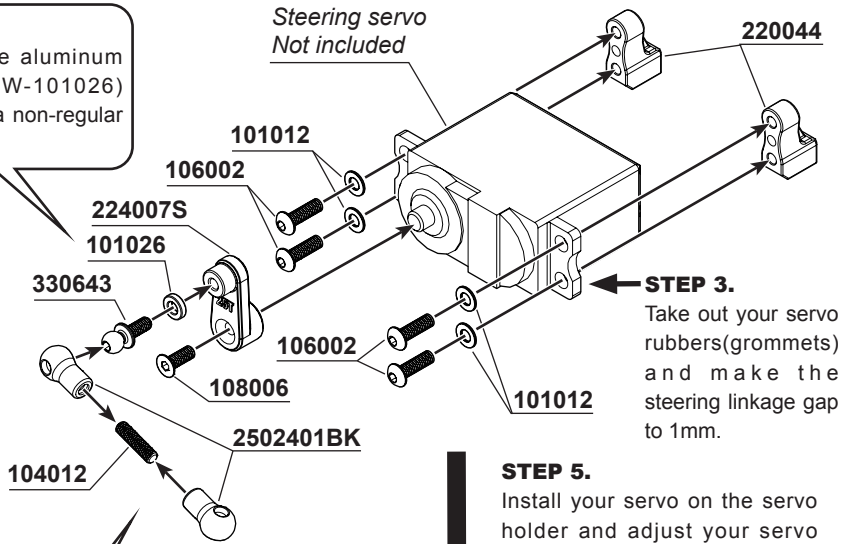


224007S-23 **224007S-25**

STEP 4.

Take out the aluminum washers (SW-101026) when using a non-regular servo size.

Steering servo
Not included

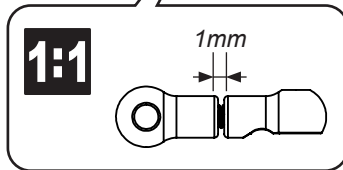


STEP 3.

Take out your servo rubbers (grommets) and make the steering linkage gap to 1mm.

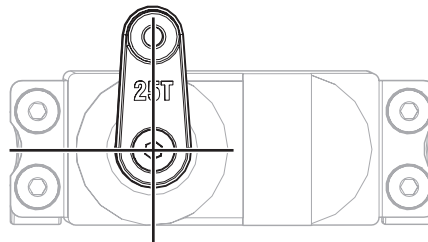
STEP 5.

Install your servo on the servo holder and adjust your servo saver horn to travel left /right equally.



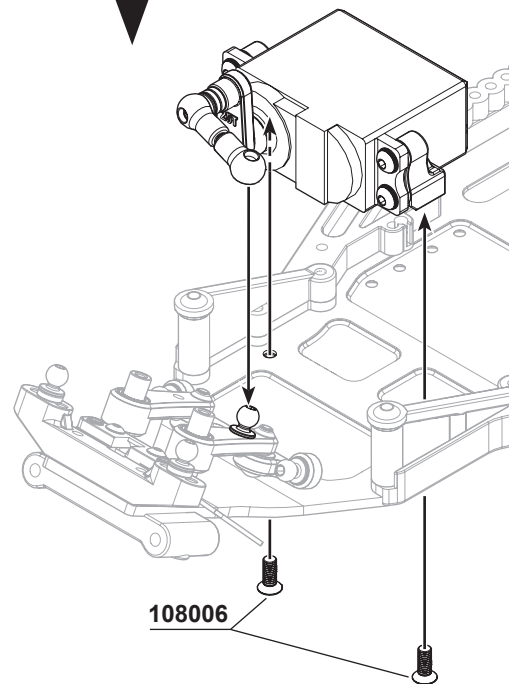
STEP 1.

Please make sure that your steering servo is centered before mounting the servo saver horn.



STEP 2.

Mount the servo saver horn in a 90 degree position onto the servo.



14



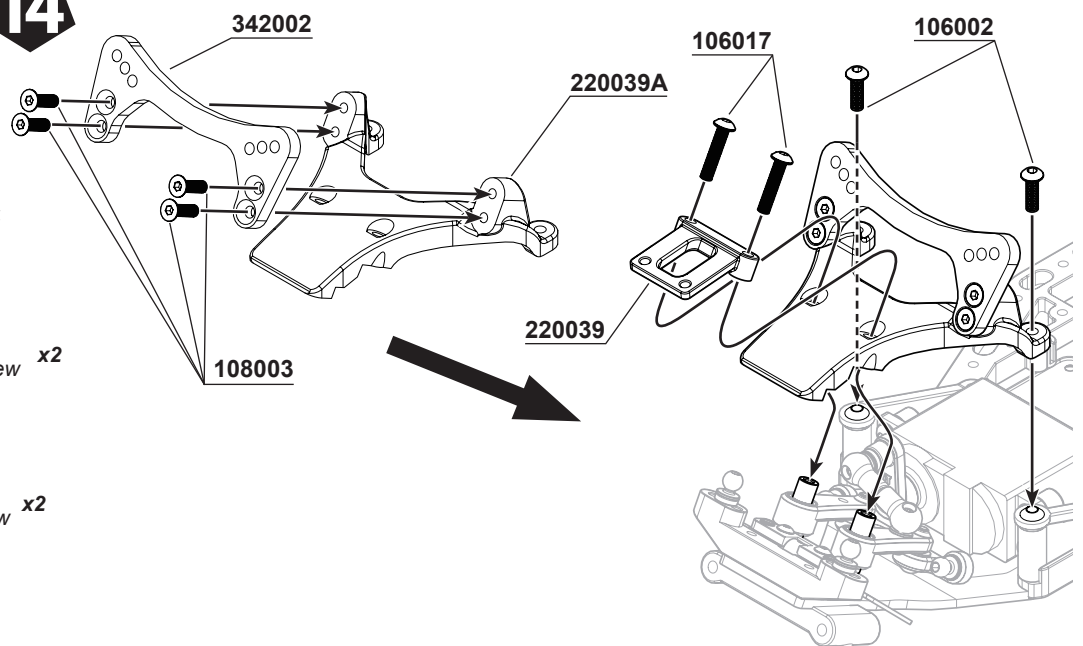
108003
M3x10mm FH/ST HEX Screw x4



106002
M3x10mm Hex Socket OH/TP Screw x2



106017
M3x14mm Hex Soked OH/TP Screw x2





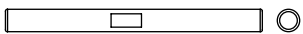
108005
M3x14mm FH/ST HEX Screw x2



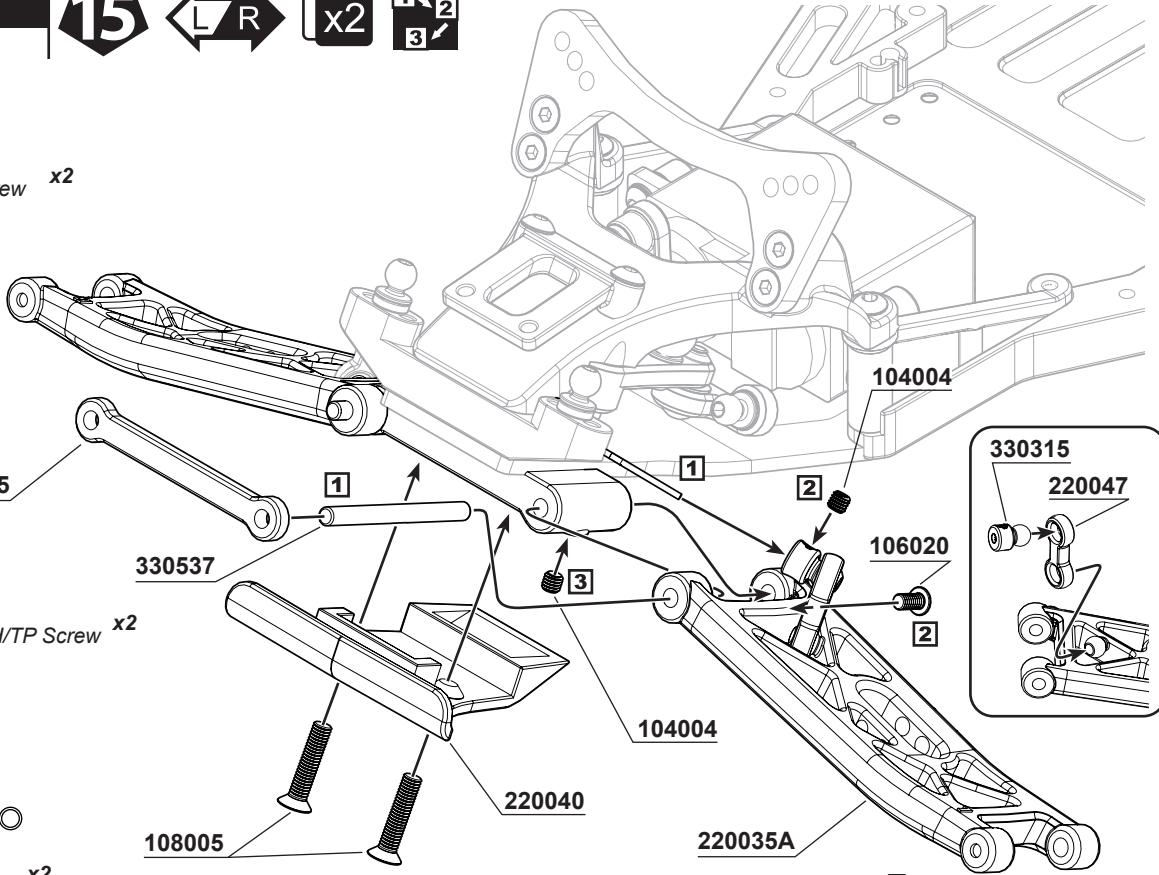
106020
M2.5x5mm Hex Socket OH/TP Screw x2



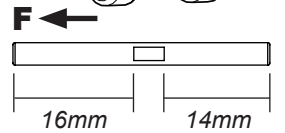
104004
M3x3mm Set Screw x4



330537
Rear Hub Carriers Hinge Pin x2



OPTION:
SW-220035H
S12-2 Front Lower Arm Set in Pro-composite Hard Material



106010
M3x6mm FH/ST HEX Screw x2



106001
M3x8mm Hex Socket OH/TP Screw x4



106008
M3x12mm Hex Socket OH/TP Screw x2



106017
M3x14mm Hex Soked OH/TP Screw x2



103001
M3 Nut Lock x2



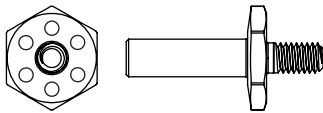
116010R
Ball Bearing 5x10x4mm (Red Rubber Case) x4



101026
SWORKz Aluminum Washer 3X6X1.5mm x2

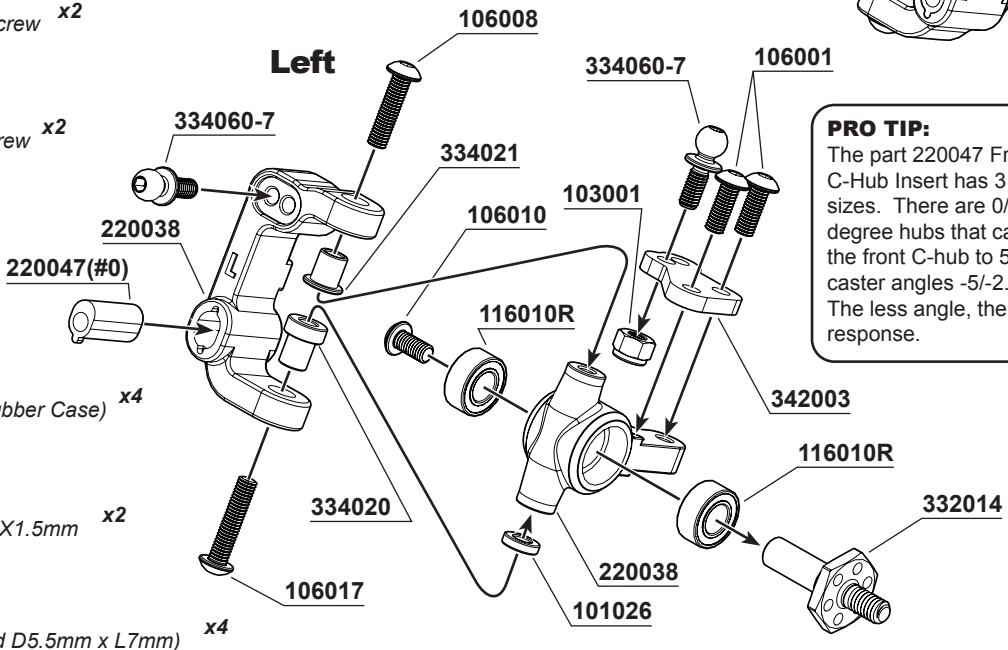
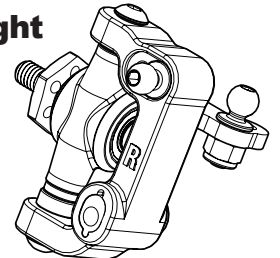


334060-7
SWORKz 1/10 Linkage Ball Stud D5.5mm x L7mm) x4



332014
Steering Hub Hinge Pin x2

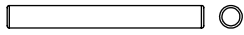
Right



PRO TIP:
The part 220047 Front C-Hub Insert has 3 different sizes. There are 0/2.5/5 degree hubs that can change the front C-hub to 5 different caster angles -5/-2.5/0/2.5/5. The less angle, the faster the response.



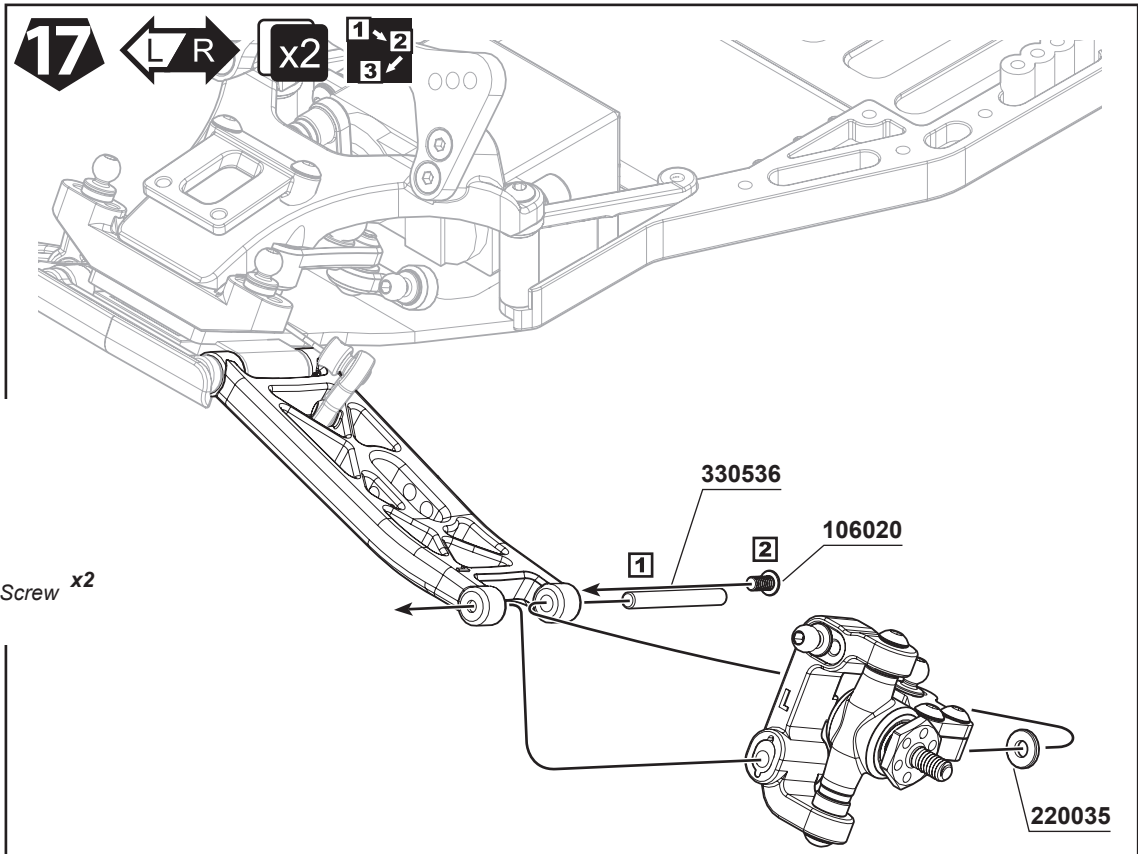
220035
Insert M3x7xT1mm x2



330536
Rear Hub Carriers Hing Pin x2



106020
M2.5x5mm Hex Socket OH/TP Screw x2



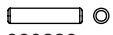
106001
M3x8mm Hex Socket OH/TP Screw x4



106014
M2.0x6mm Hex Socket OH/TP Screw x2



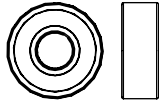
338011
SWORKz Pinion Gear Stopper (5x7x5.1mm) x2



330283
Pin M2x10mm x2

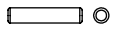


116010R
Ball Bearing 5x10x4mm (Red Rubber Case) x2

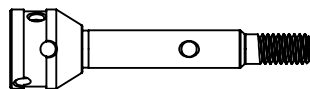


116019R
Ball Bearing 5X13X4mm (Red Rubber Case) x2

Spare Parts of CVD



330283
Pin M2x10mm x2



332010
S12-2 CVD Axil x2



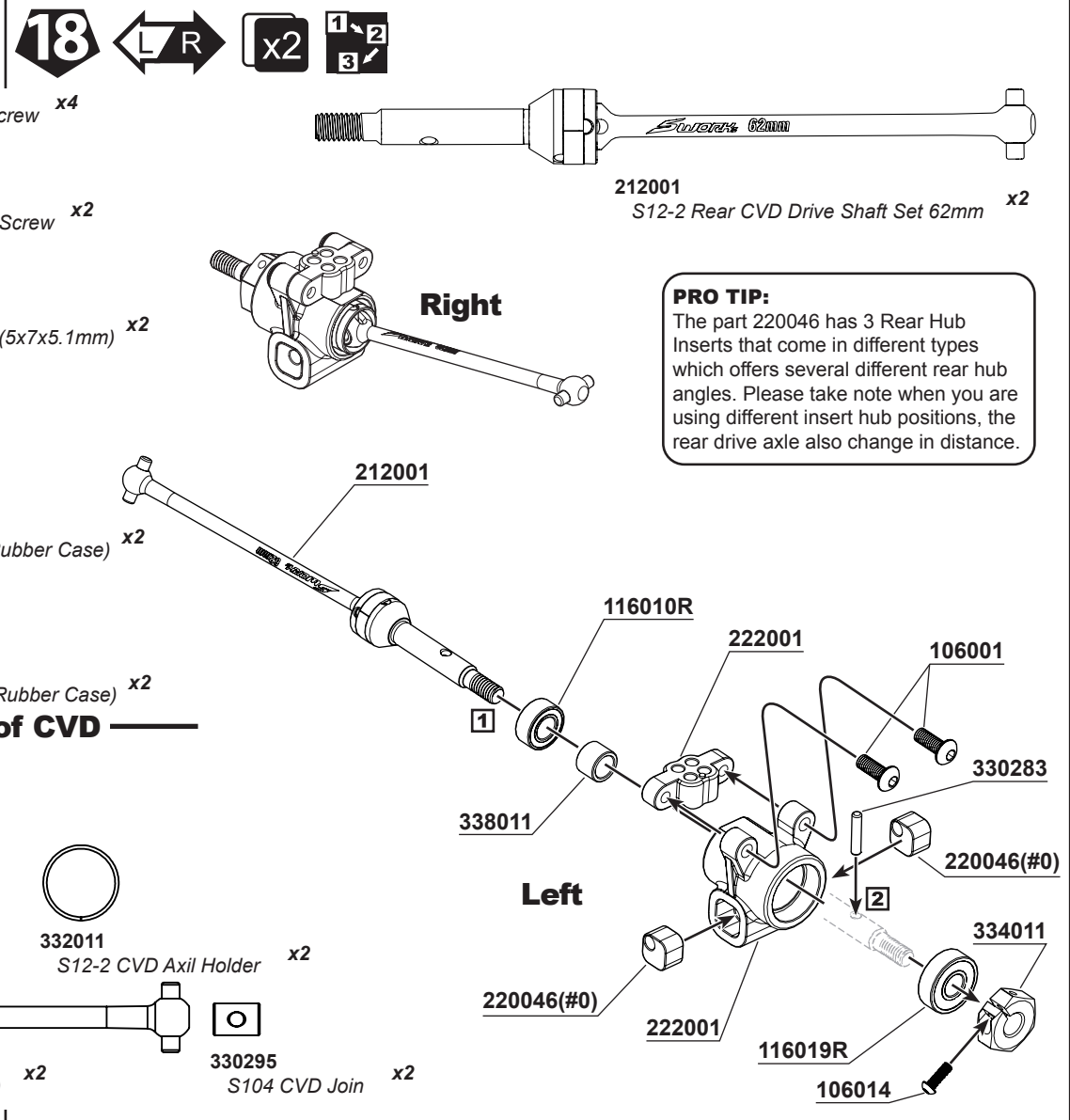
332011
S12-2 CVD Axil Holder x2



332012
S12-2 Rear Drive Shaft (62mm) x2



330295
S104 CVD Join x2



PRO TIP:
The part 220046 has 3 Rear Hub Inserts that come in different types which offers several different rear hub angles. Please take note when you are using different insert hub positions, the rear drive axle also change in distance.



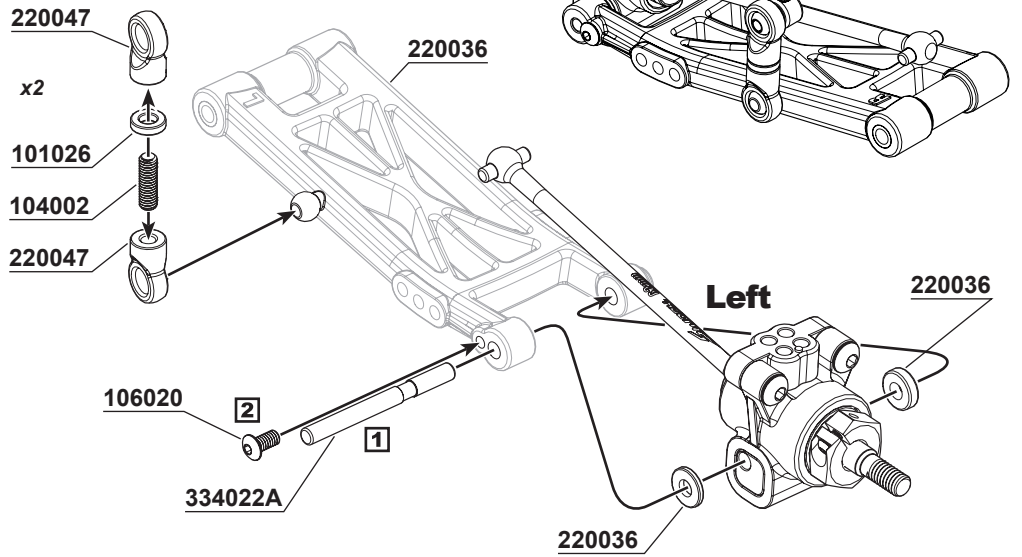
106020
M2.5x5mm Hex Socket OH/TP Screw x2



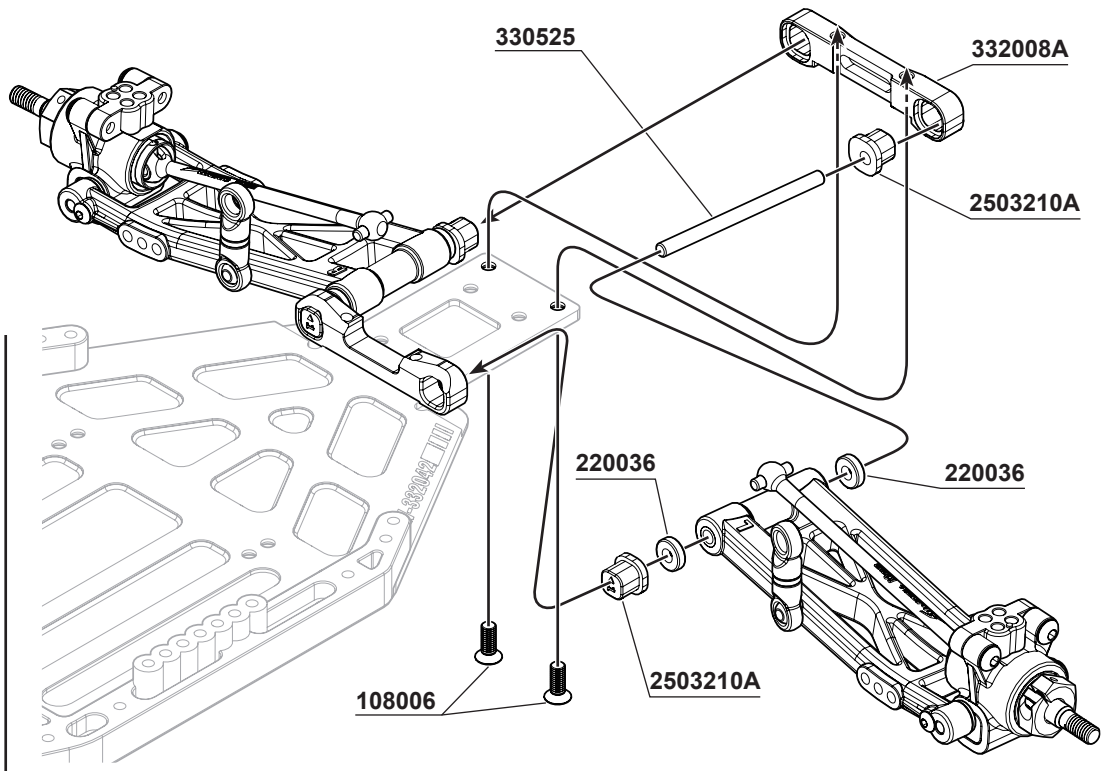
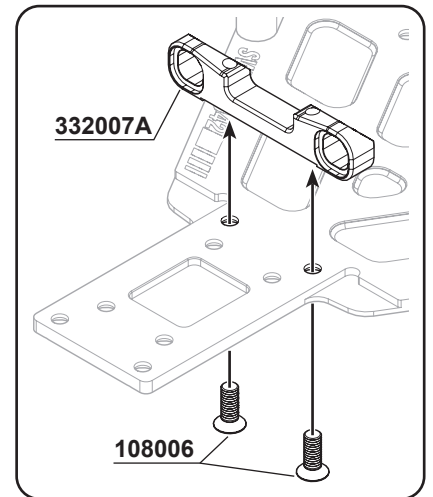
101026
SWORKz Aluminum Washer 3X6X1.5mm x2

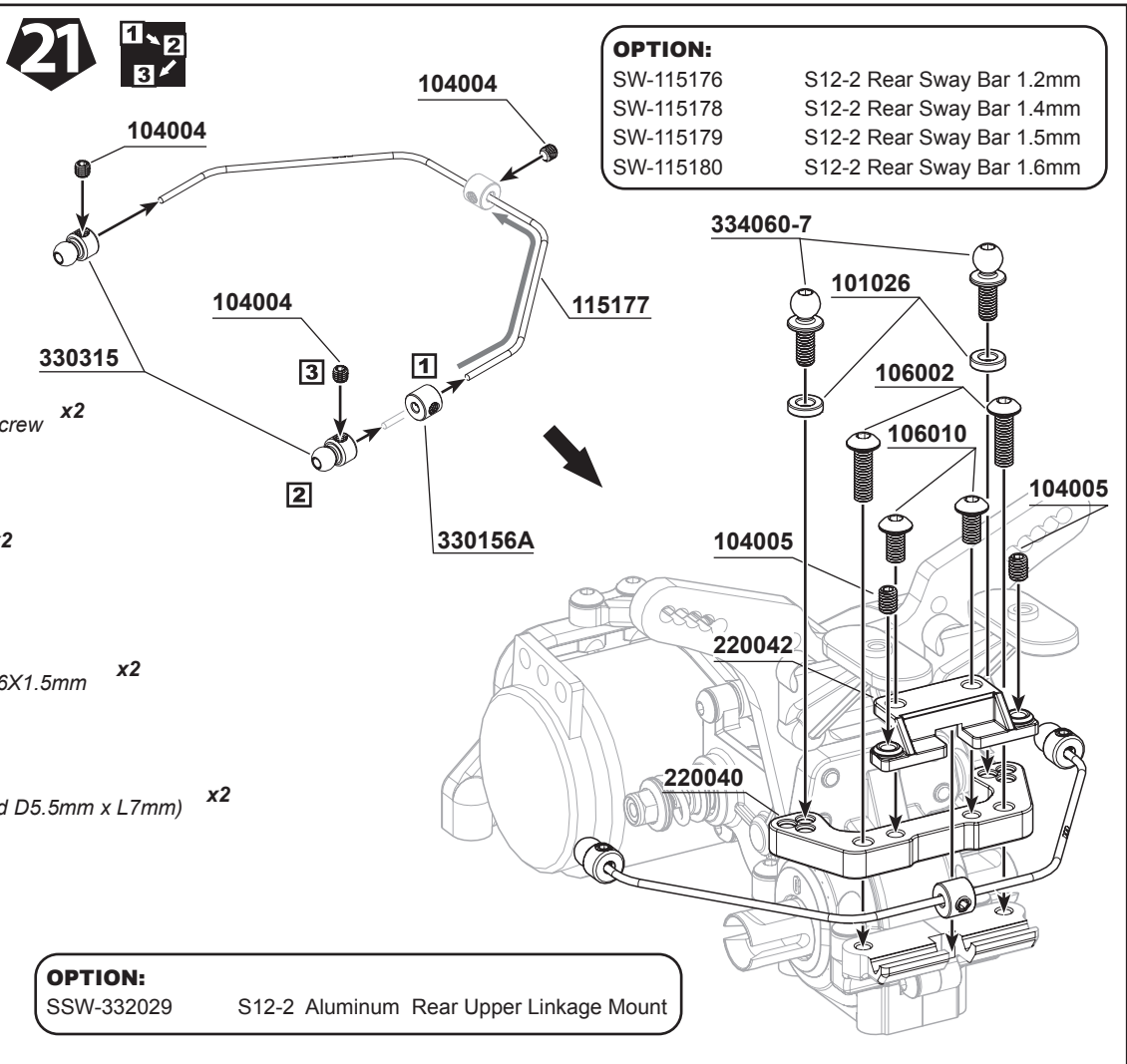


104002
M3X10mm Set Screw x2



108006
M3x8mm FH/ST HEX Screw x4





104004
M3x3mm Set Screw x3

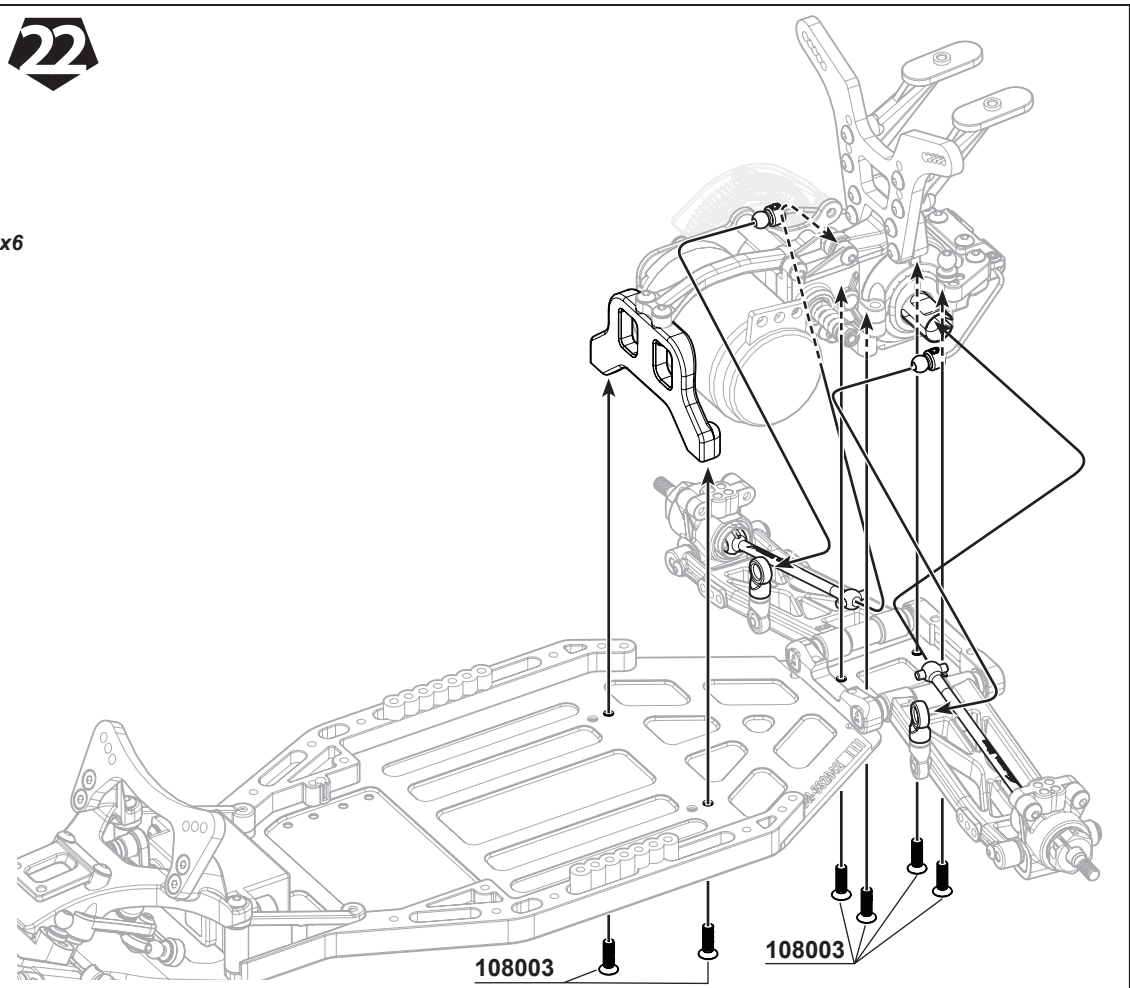
104005
M3x4mm Set Screw x2

106002
M3x10mm Hex Socket OH/TP Screw x2

106010
M3x6mm FH/ST HEX Screw x2

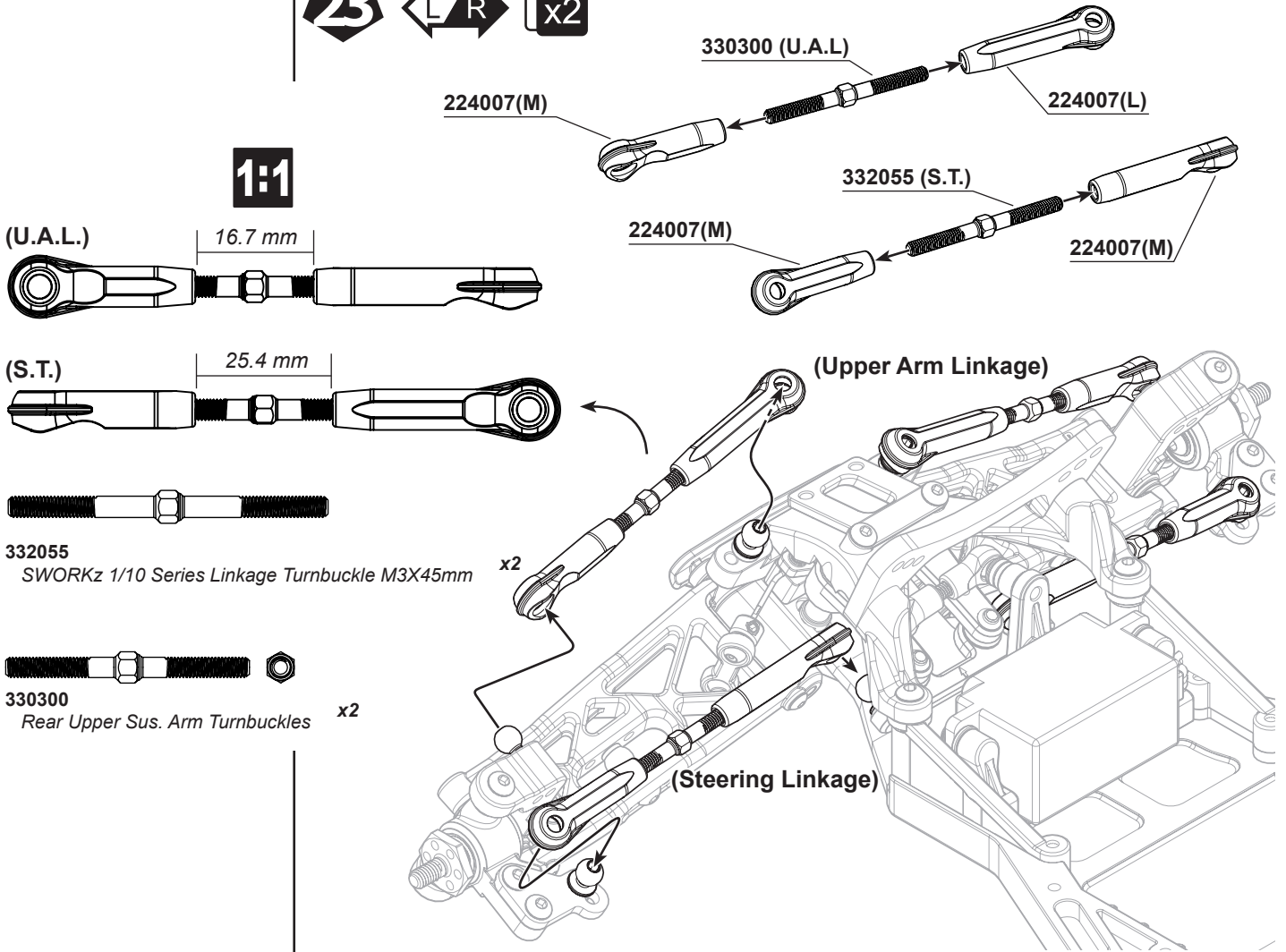
101026
SWORKz Aluminum Washer 3X6X1.5mm x2

334060-7
SWORKz 1/10 Linkage Ball Stud D5.5mm x L7mm) x2

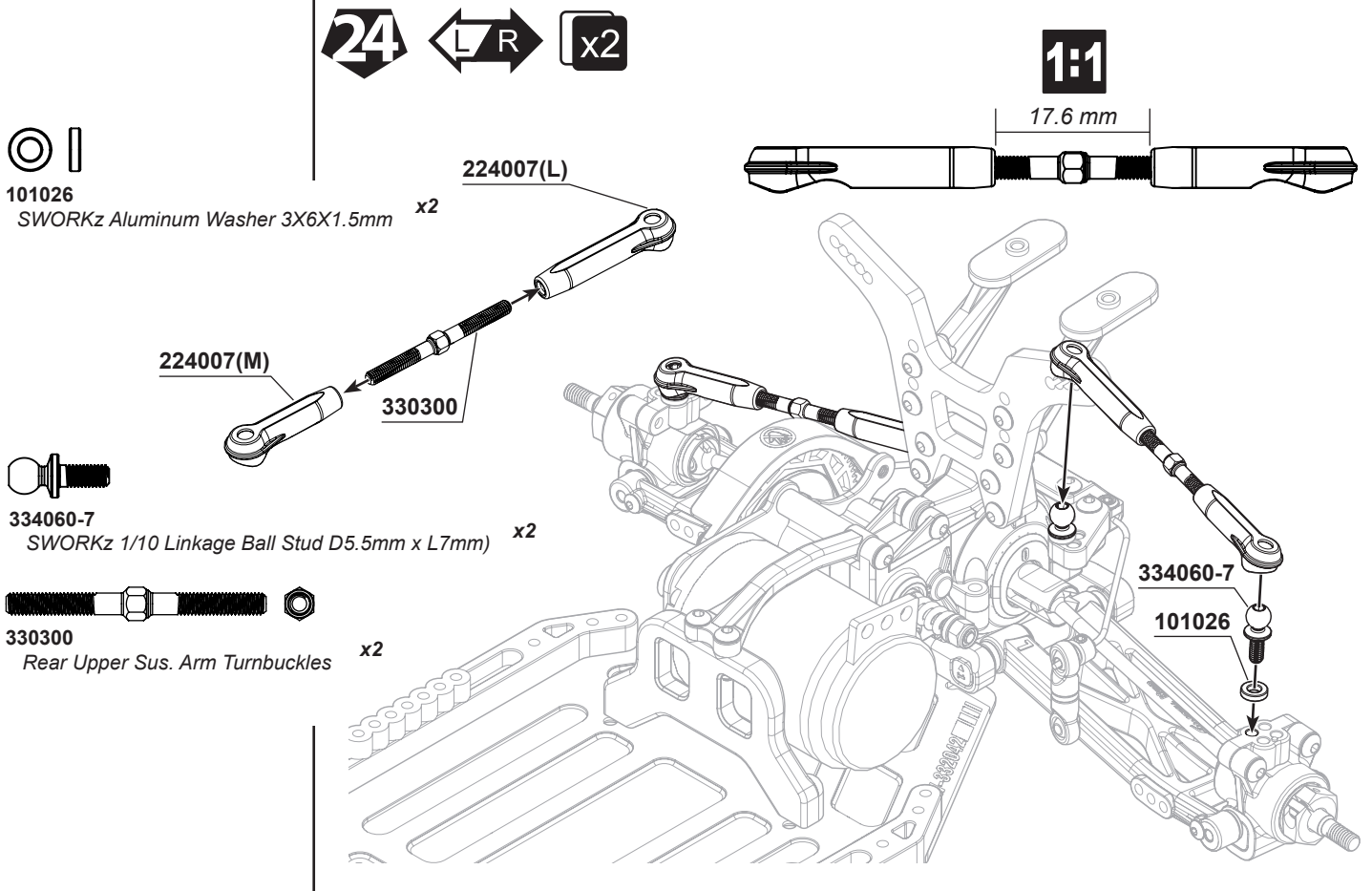


108003
M3x10mm FH/ST HEX Screw x6

23 ← R → x2



24 ← R → x2



106014
M2x6mm Hex Soket OH/TP Screw **x4**

220049-5
Shock Washer 3.0X6.3X2.0mm **x8**

101011
Shock Washer 2.6x6x0.5mm **x4**

220049-5
Shock Washer 3.0X6.3X0.9mm **x4**

400025
SWORKz 1/10 Series Pro Shock System Seal O-ring **x8**

410049
Shock Seal Cap O-ring 8x10x1mm **x4**

220049-1
SWORKz 1/10 Precision Plastic Shock Piston(1.6X2Holes) **x2**

220049-2
SWORKz 1/10 Precision Plastic Shock Piston(1.7X2Holes) **x2**

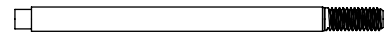
Front 220049-1
Rear 220049-2

106014

101011

Front 332038-SF
Rear 332038-SR

Front 332039-SF
Rear 332039-SR



332038-SR
SWORKz 1/10 Series Pro Shock System Shorter Rear Shaft (SR-48.2mm) **x2**



332038-SF
SWORKz 1/10 Series Pro Shock System Shorter Front Shaft (SF-41.2mm) **x2**

410049

220049-5

220049-5

400025

220049-5

220050

330134
Shock Ball Stud **x4**

Front

Rear

330134

23 mm

330134

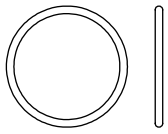
30 mm

224010

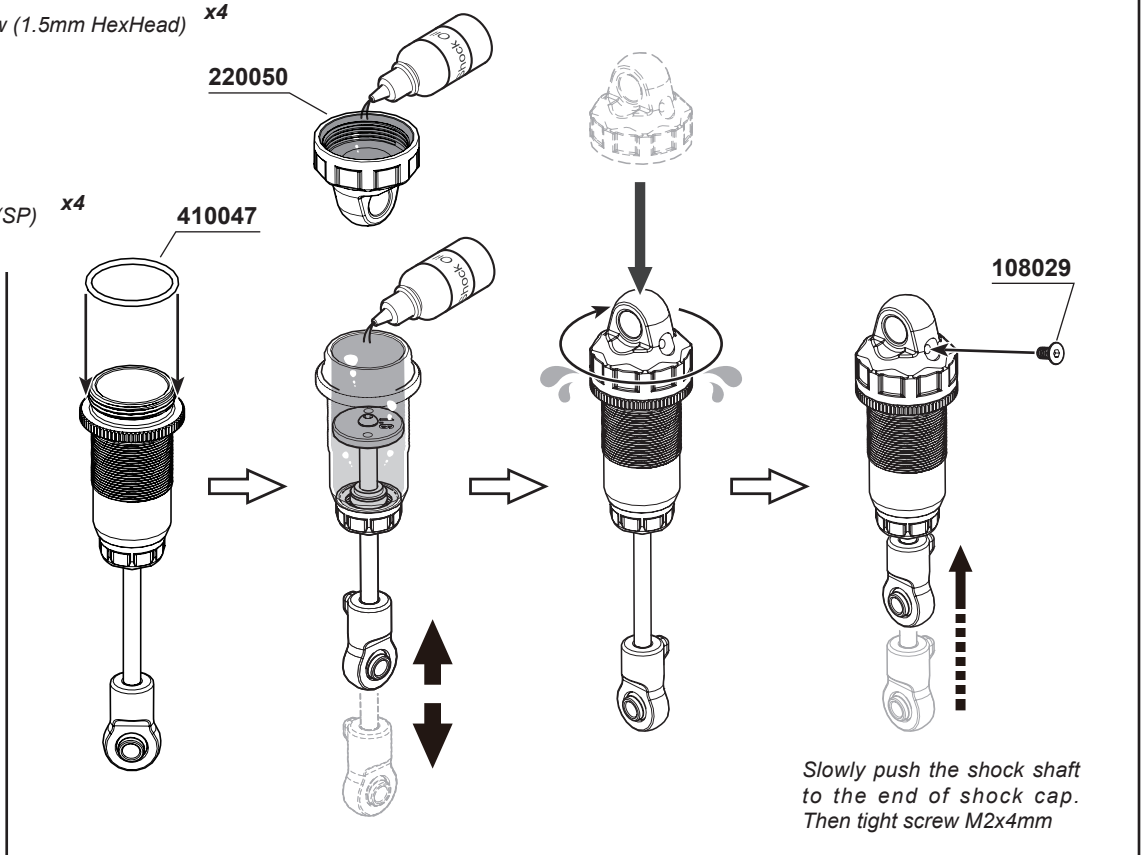
224010



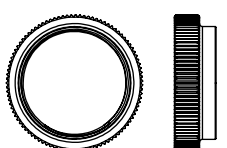
108029
M2.0x4.6mm FH/ST HEX Screw (1.5mm HexHead) **x4**



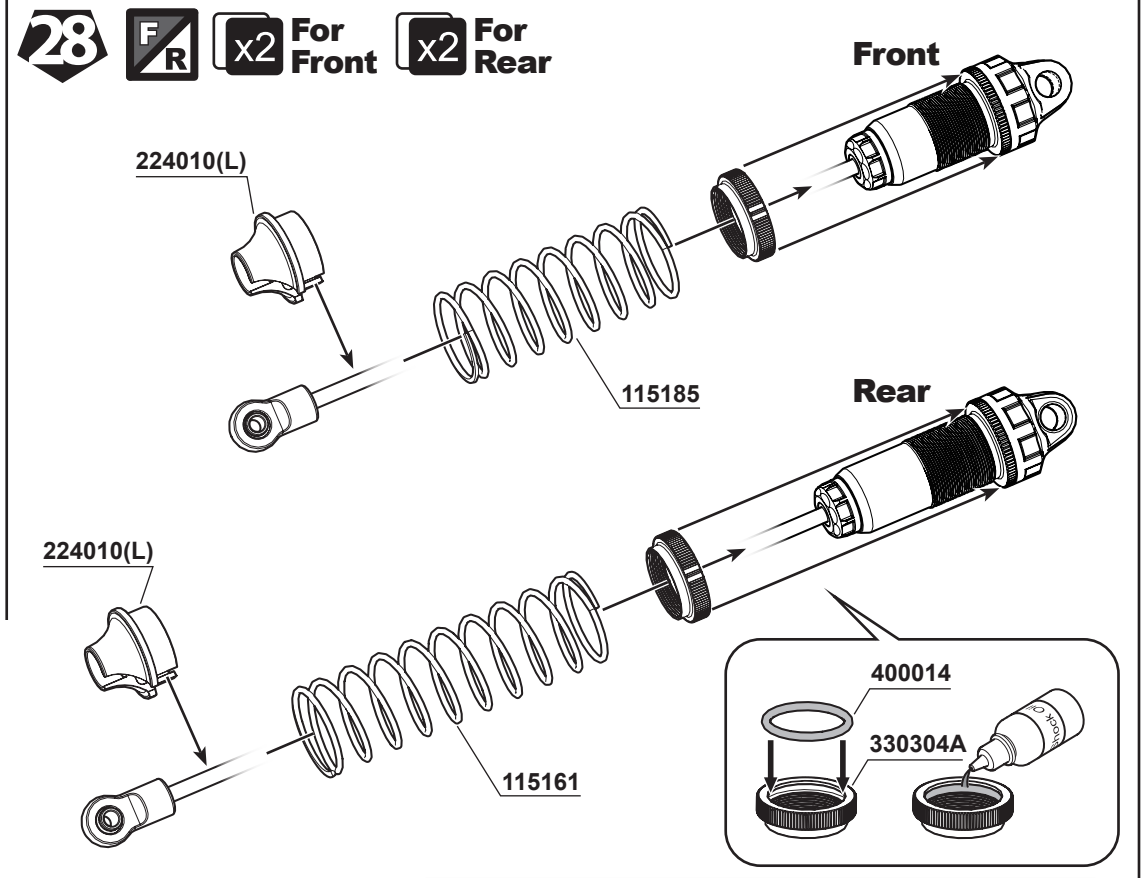
410047
SWORKz Shock Cap O-Ring (SP) **x4**



400014
O-Ring 1.5x13.5mm **x4**



330304A
Aluminum Shock Spring Adjust Nut **x4**



OPTION:
SWC-115186 S12-2 Black Competition Front Shock Spring (US3-Dot)(38X1.2X7.0)
SWC-115187 S12-2 Black Competition Front Shock Spring (US2-Dot)(38X1.2X7.25)
SWC-115183 S35-4 Black Competition Front Shock Spring (US3-Dot)(62X1.6X7.75)
SWC-115184 S35-4 Black Competition Front Shock Spring (US2-Dot)(62X1.6X8.0)



105021
M3x6mm Taper head screw x2



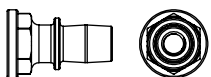
108001
M3x12mm FH/ST HEX Screw x2



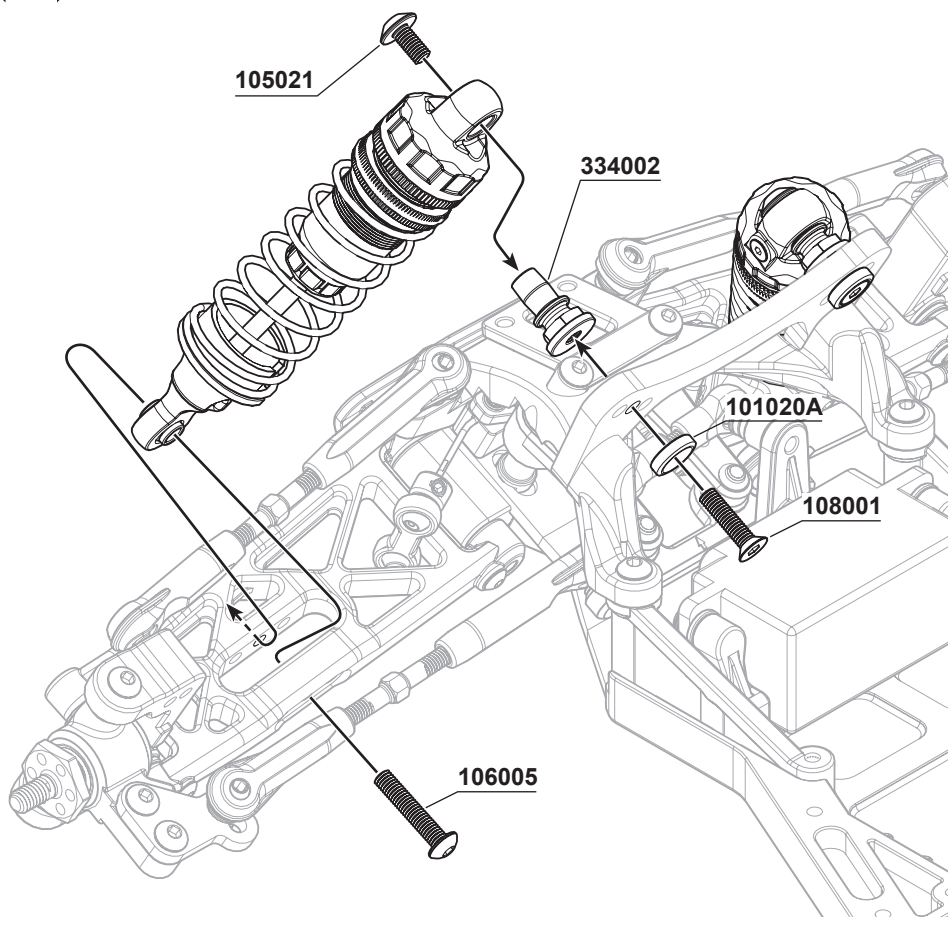
106005
M3x15mm Hex Socket OH/TP Screw x2



101020A
3mm Countersunk Washers (GM) x2



334002
Aluminum Shock Cap Stud x2



105021
M3x6mm Taper head screw x2



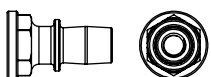
108001
M3x12mm FH/ST HEX Screw x2



106008
M3x12mm Hex Socket OH/TP Screw x2



101020A
3mm Countersunk Washers (GM) x2



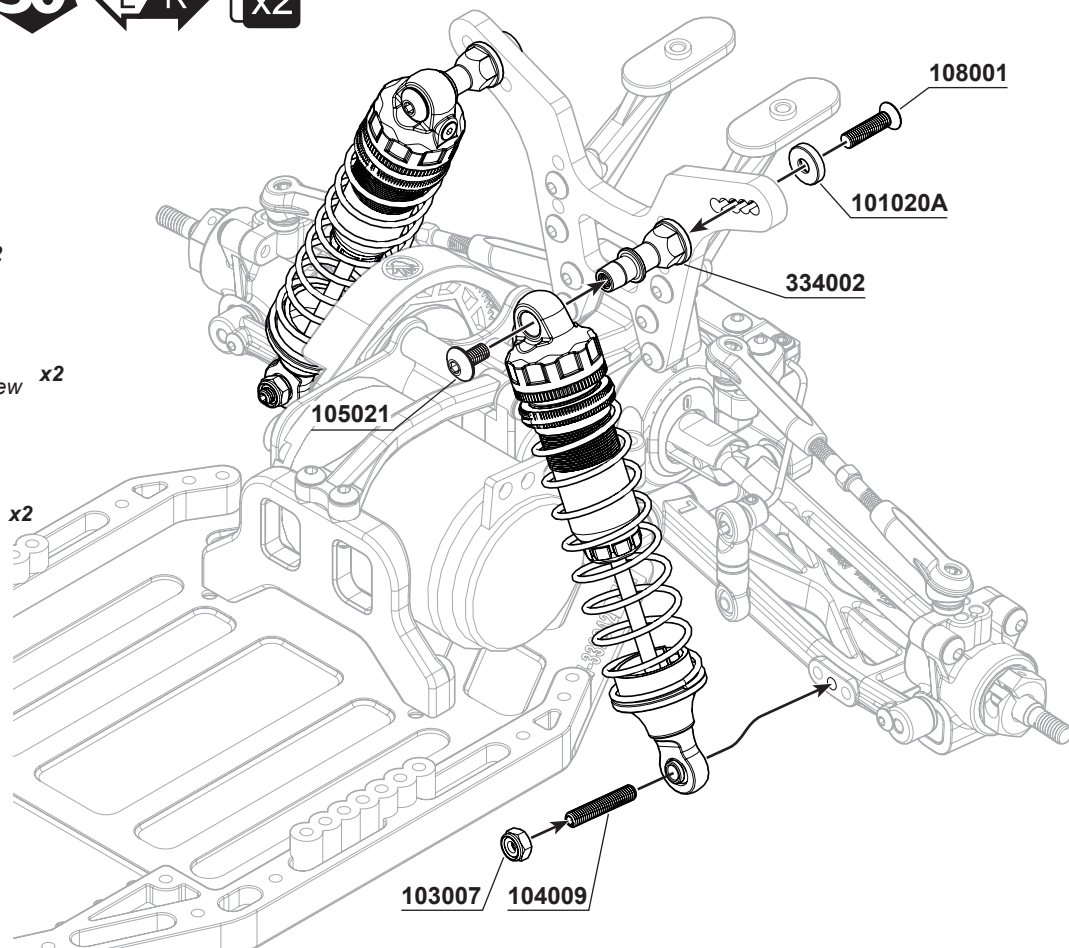
334002
Aluminum Shock Cap Stud x2



103007
M3mm Nut Lock x2



104009
M3x16mm Set Screw x2



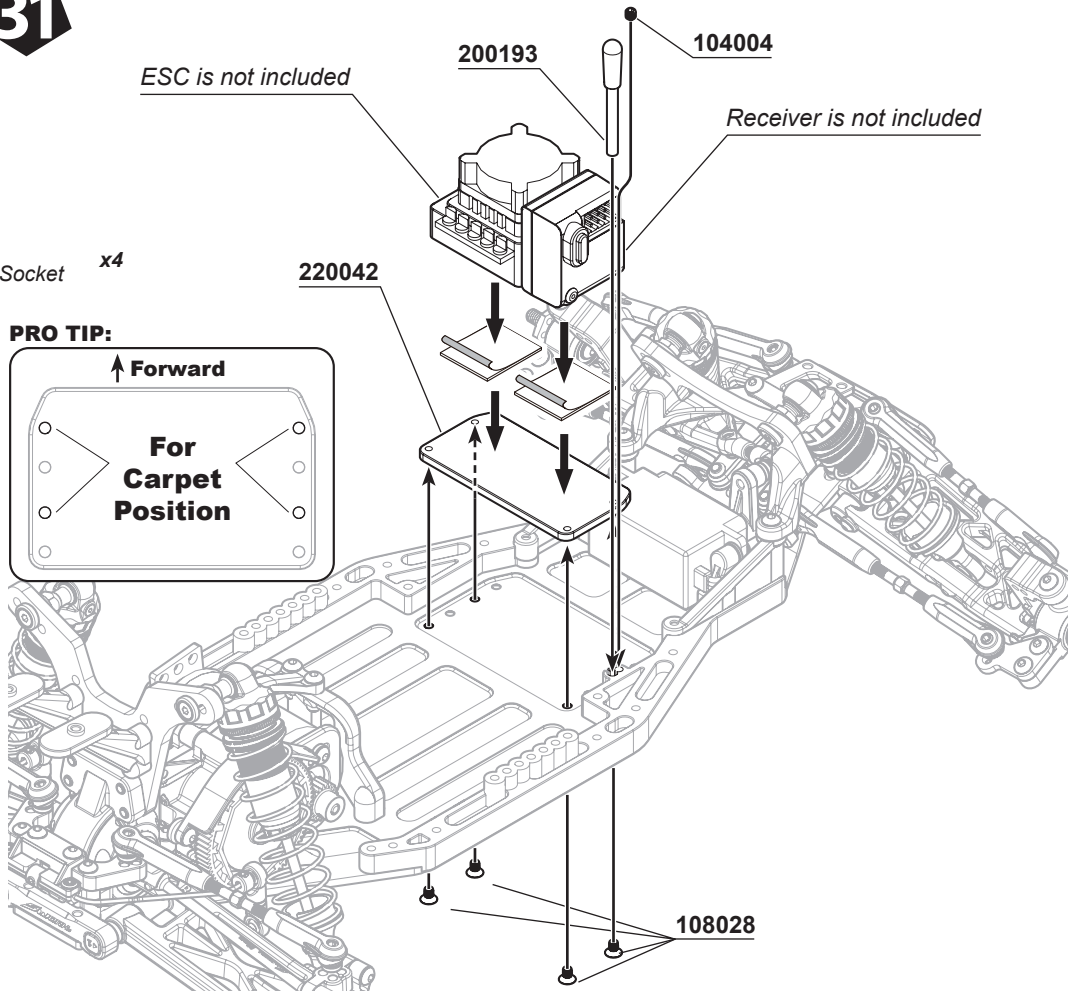
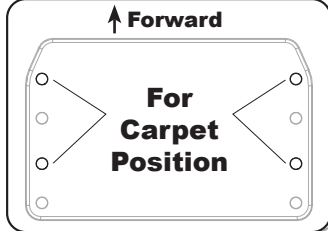


104004
M3x3mm Set Screw x1

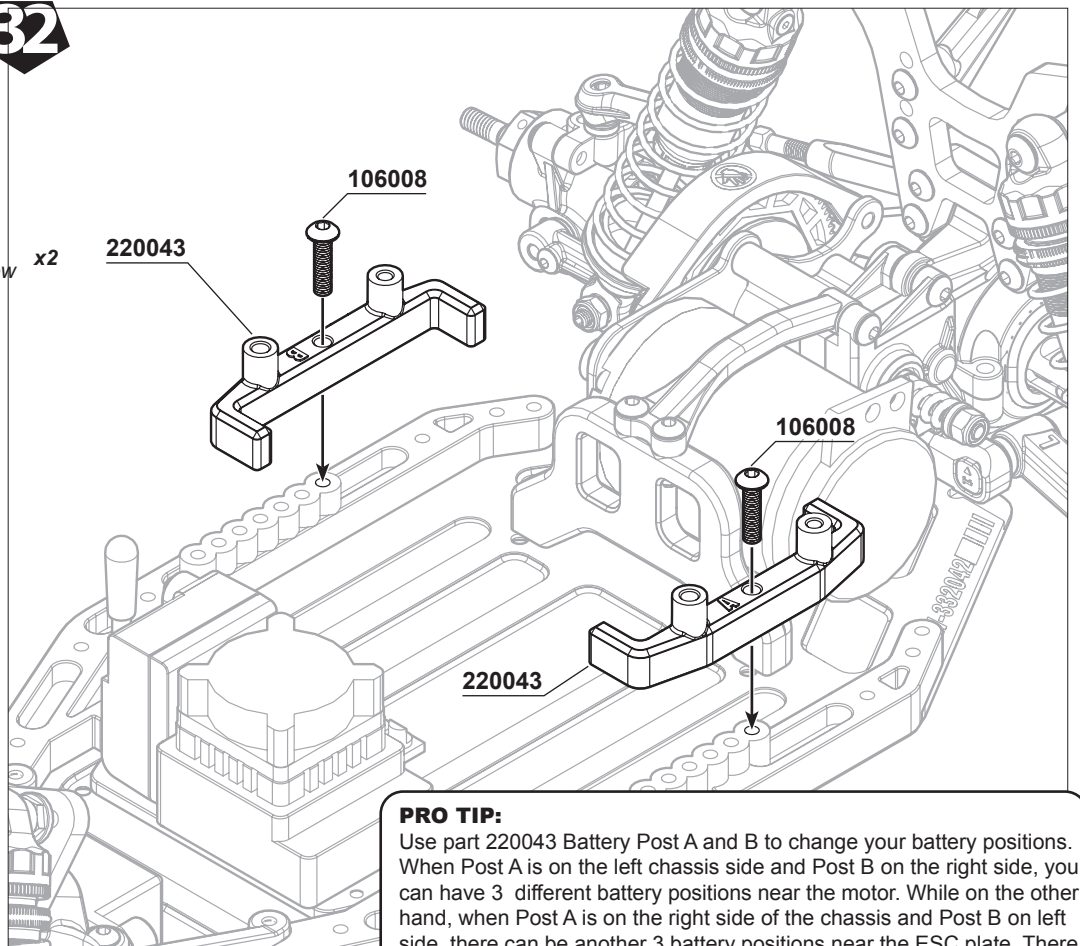


108028
M2.6x4mm Flat Head Screw - Hex Socket x4

PRO TIP:



106008
M3x12mm Hex Socket OH/TP Screw x2



PRO TIP:

Use part 220043 Battery Post A and B to change your battery positions. When Post A is on the left chassis side and Post B on the right side, you can have 3 different battery positions near the motor. While on the other hand, when Post A is on the right side of the chassis and Post B on left side, there can be another 3 battery positions near the ESC plate. There are a total of 6 different positions to place the shorty battery.

BAG D

33

106009

106002

220043

106009

220043

Li-po Shorty Peak is not included



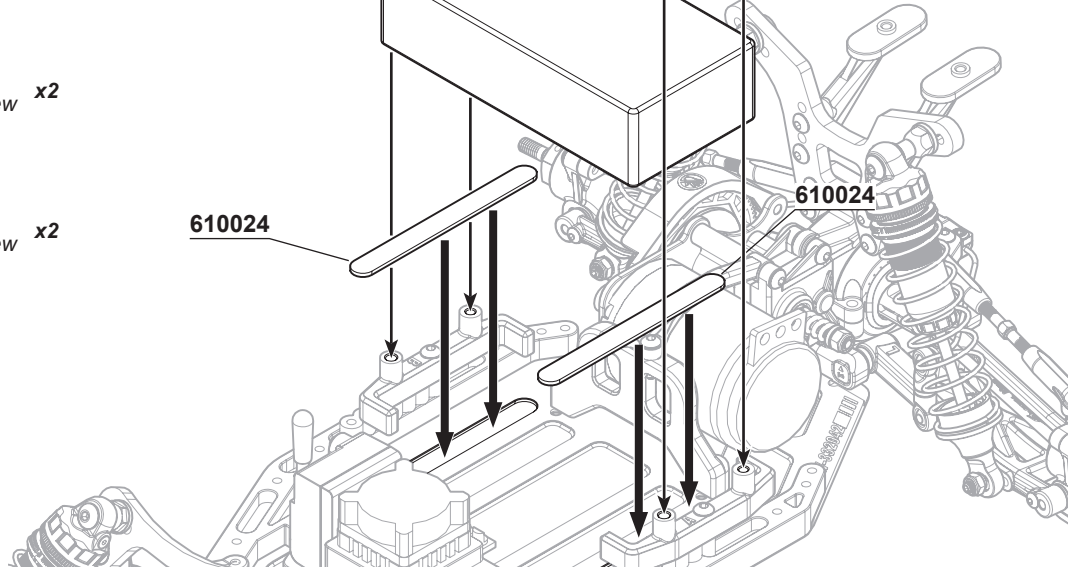
106002
M3x10mm Hex Socket OH/TP Screw x2



106009
M3x25mm Hex Socket OH/TP Screw x2

610024

610024



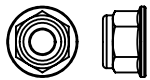
BAG F

34

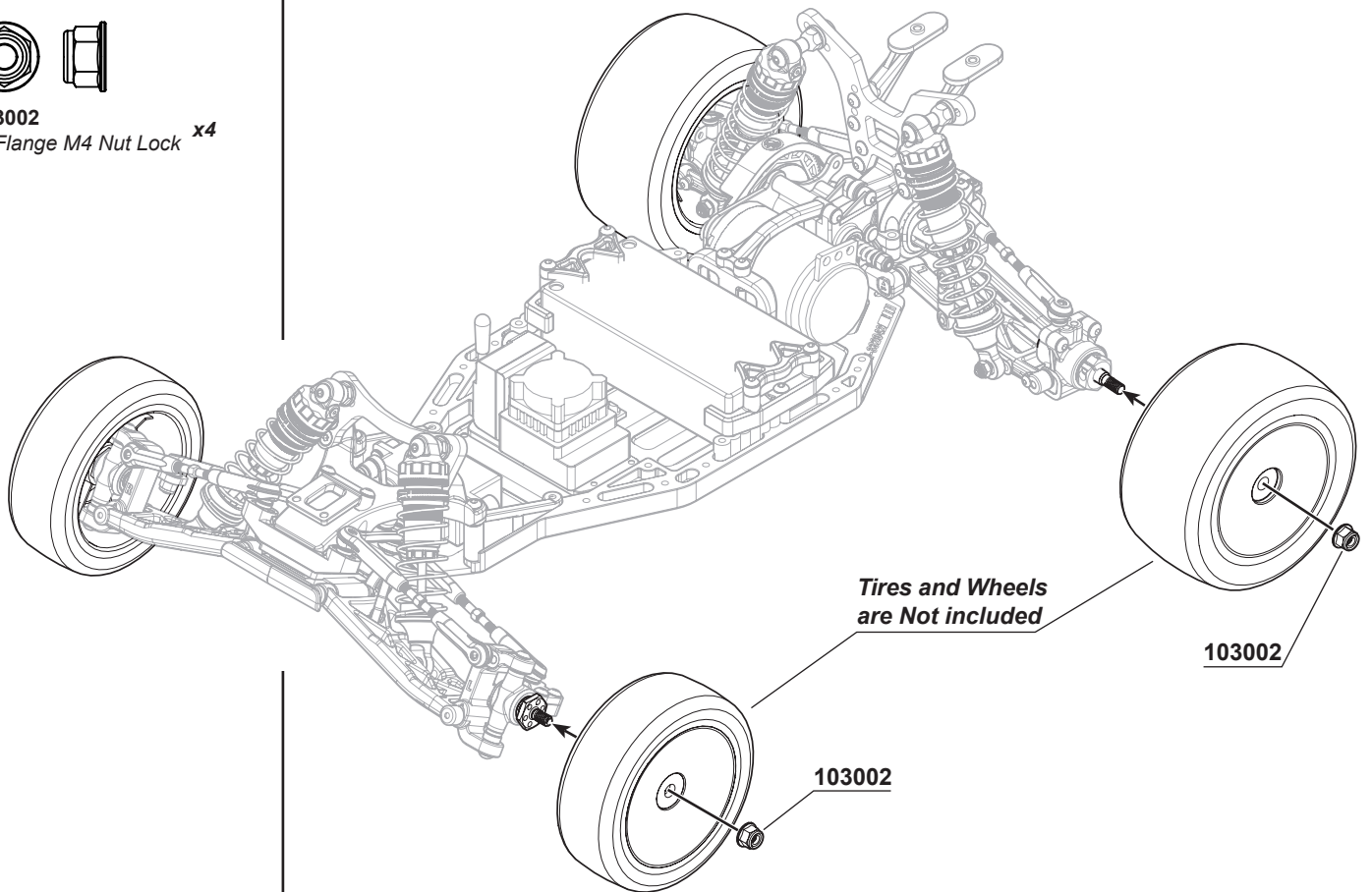
FR

LR

x2



103002
Flange M4 Nut Lock x4



Tires and Wheels
are Not included

103002

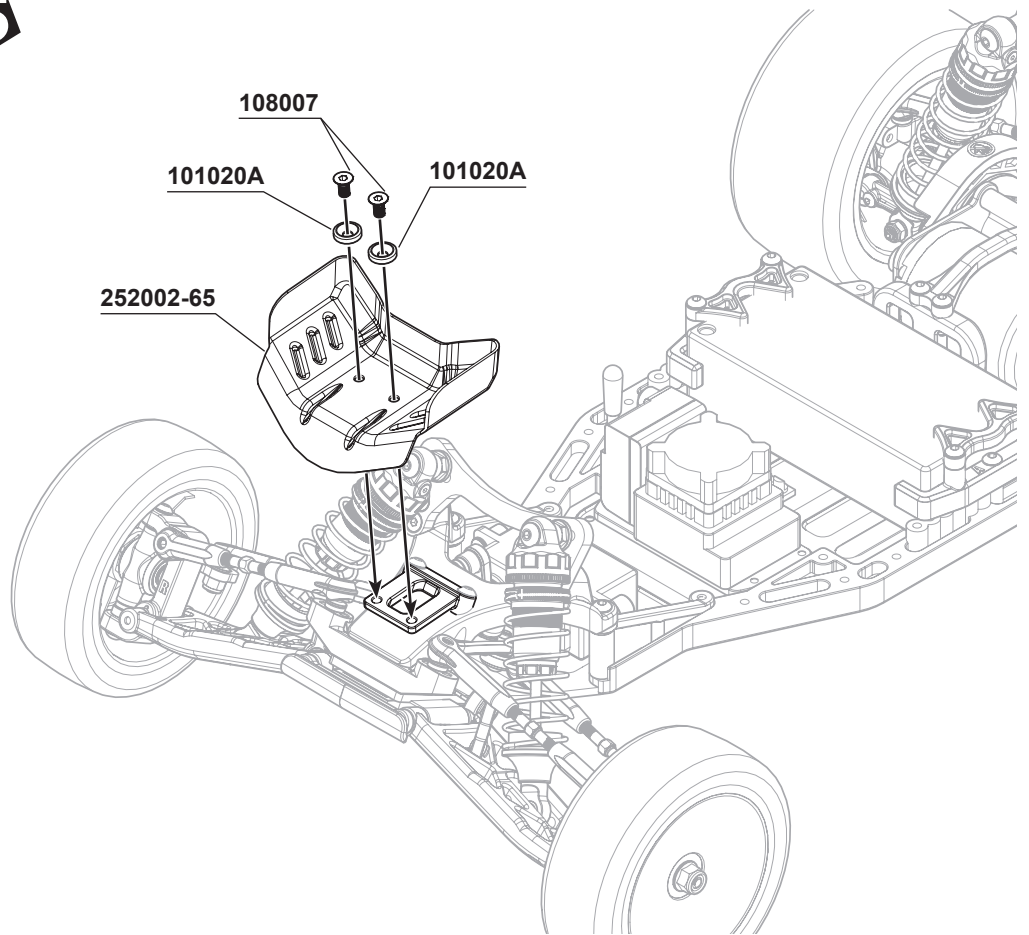
103002



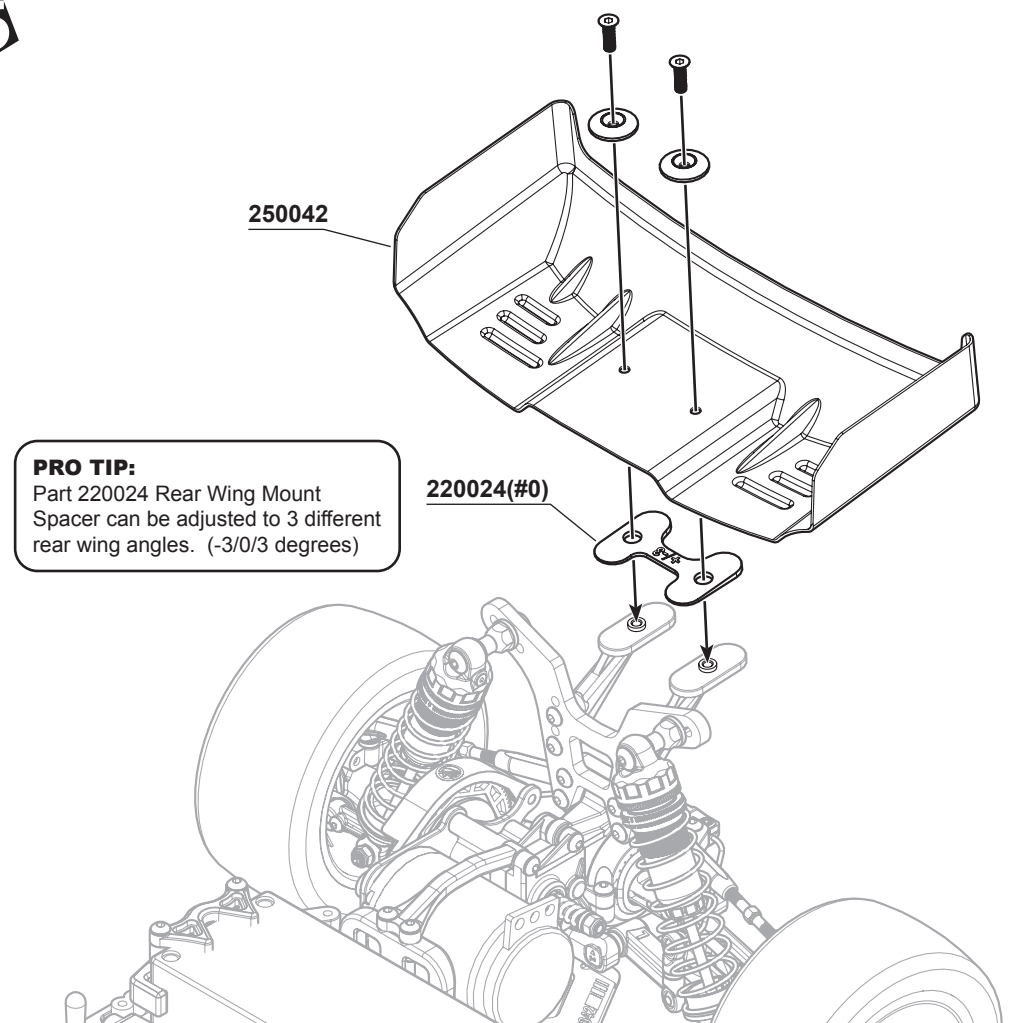
108007
M3x6mm FH/ST HEX Screw x2



101020A
3mm Countersunk Washers (RD) x2

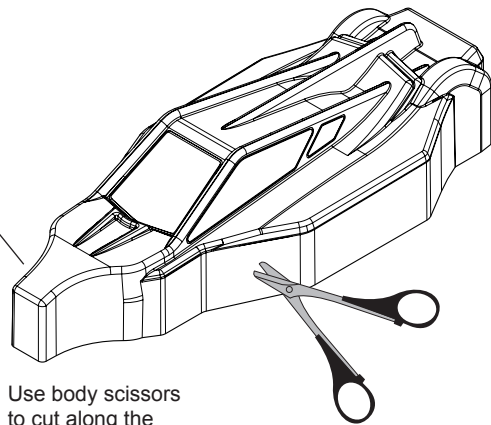


108003
M3x10mm FH/ST HEX Screw x2



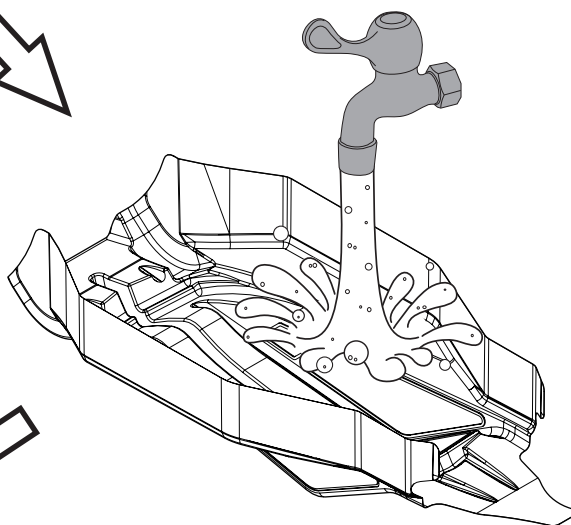
PRO TIP:
Part 220024 Rear Wing Mount
Spacer can be adjusted to 3 different
rear wing angles. (-3/0/3 degrees)

252001

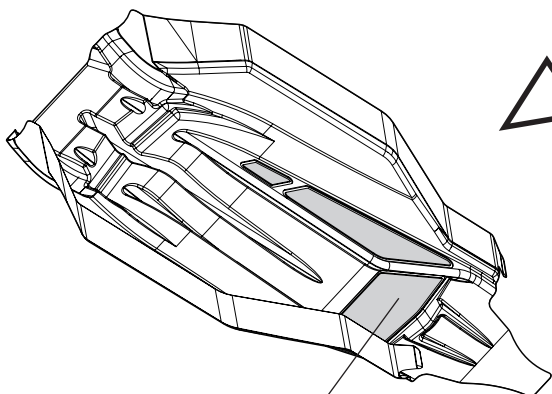


Use body scissors to cut along the body lines.

Use water/washing solution to clean body.



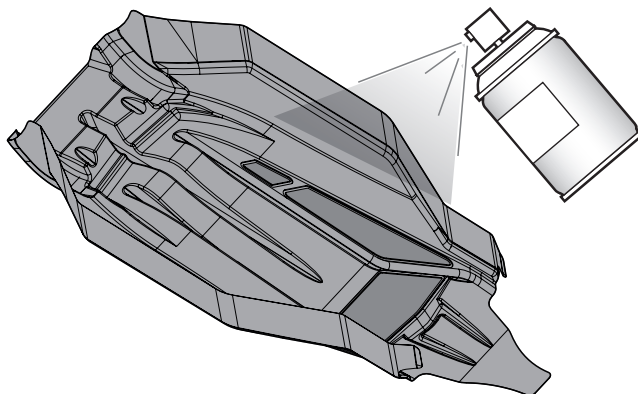
Apply window masks as shown.



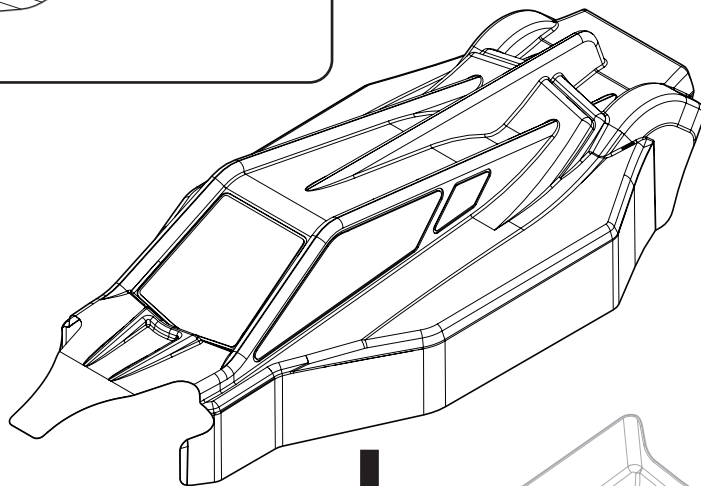
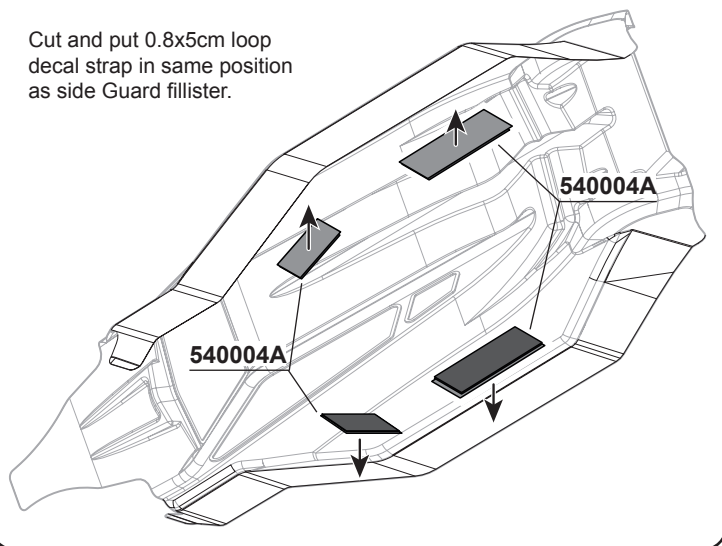
252001



Paint body.

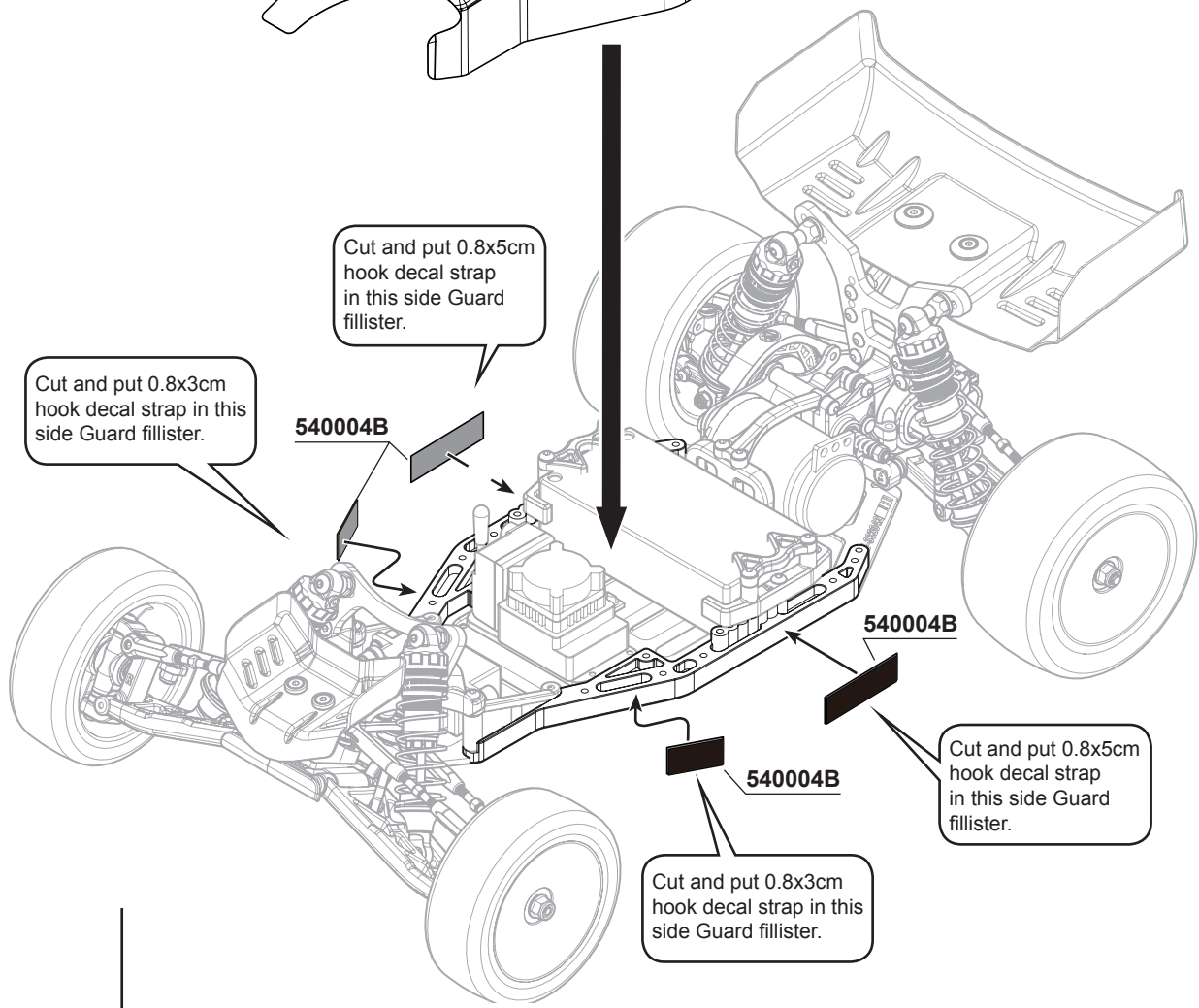


Cut and put 0.8x5cm loop decal strap in same position as side Guard fillister.



Cut and put 0.8x3cm hook decal strap in this side Guard fillister.

Cut and put 0.8x5cm hook decal strap in this side Guard fillister.



Cut and put 0.8x3cm hook decal strap in this side Guard fillister.

Cut and put 0.8x5cm hook decal strap in this side Guard fillister.

Name: _____
Date: _____
Track: _____

Diff. Oil
Rear: _____

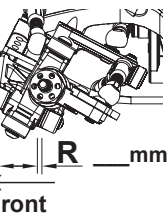
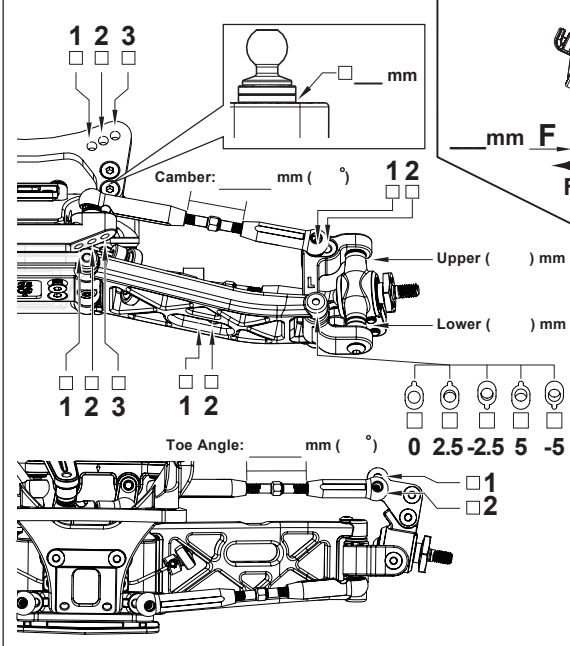
Diff. Type
 Gear Diff
 Ball Diff

Track Conditions
Size: Open Med. Tight
Traction: High Med. Low Wet
Surface: Smooth Med. Bumpy

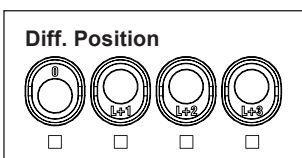
Tire
Front Rear
Type: _____ Type: _____
Foam: _____ Foam: _____

Electric System
ESC Type: _____
Motor Type: _____
Motor Gear/Spur Gear: _____
Battery Type: _____

Front Suspension



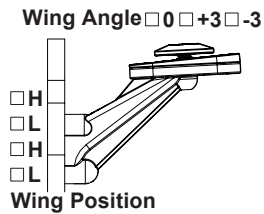
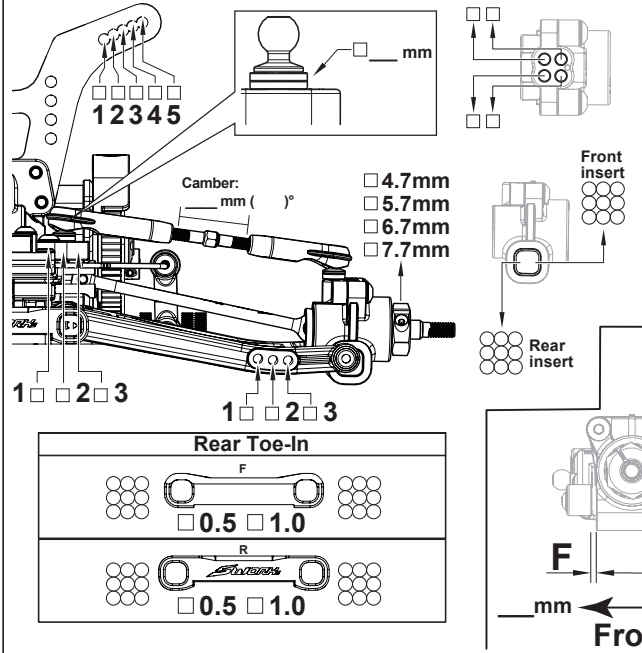
Front Lower Arm Holder
 Standard
 25g Brass



Front Sway bar Use _____ mm
 None
Front Lower Arm Holder Adjustment 0.5mm 1mm

Oil: _____
Spacer: _____ mm
Pistons: _____
Spring: _____

Rear Suspension



Body:
Rear Wing: _____
Front Wing: _____

Notes: _____
Rear Sway bar Use _____ mm
 None

Ride High: _____ mm
Oil: _____
Spacer: _____ mm
Pistons: _____
Spring: _____

Option Parts List

<p>Front lower arm <input type="checkbox"/> Carbon composite Hard Material <input type="checkbox"/> Standard Material</p>	<p>Rear lower arm <input type="checkbox"/> Carbon composite Hard Material <input type="checkbox"/> Standard Material</p>	<p>Side guard <input type="checkbox"/> Carbon composite Hard Material <input type="checkbox"/> Standard Material</p>
--	---	---

Parts No. List

Part No.	Part Name	Q'ty in Use	Item No.	Part No.	Part Name	Q'ty in Use	Item No.
2502402	S12-1 Diff Case Set	1	SW-2502402	334020	S14-3 Series C Hub Bushing (A)(2.5)	2	SW-334020
2501807	SWORKz Shock Spring Holder with Ball End Plastic Parts	2	SW-2501807	334021	S14-3 Series C Hub Bushing (B)(0.7)	2	SW-334021
2503210A	SWORKz 1/10 Eccentric Bushing Set	2	SW-2503210A	334022A	SWORKz 1/10 Hinge Pin (3x32mm)	2	SW-334022A
220031-81	S14-3 Precision Plastic Center Spur Gear 81T for Slipper Clutch	1	SW-220031-81	334060-7	SWORKz 1/10 Linkage Ball Stud (D5.5mm x L7mm)	10	SW-334060-7
220034	S12-2 Front C Hub Set in Pro-composite Hard Material	1	SW-220034	334060-4	SWORKz 1/10 Linkage Ball Stud (D5.5mm x L4mm)	2	SW-334060-4
220035A	S12-2 Front Durable Lower Arm Set in Pro-composite Material (Standard)	1	SW-220035A	342001	S12-2 Pro-composite Rear Carbon Fiber Shock Tower	1	SW-342001
220036	S12-2 Rear Lower Arm Set in Pro-composite Material (Standard)	1	SW-220036	342002	S12-2 Pro-composite Front Carbon Fiber Shock Tower	1	SW-342002
220037	S12-2 Side Guard Set in Pro-composite Material (Standard)	1	SW-220037	342003	S12-2 Steering Carbon Plate	2	SW-342003
220038	S12-2 Front & Rear Hub Carry Set	2	SW-220038	354003-36	S12 Series POM MFR Idler Gear 36T	1	SW-354003-36
220039A	S12-2 Front Arm Holder Plastic Parts (Durable)	1	SW-220039A	400002	O-ring S5	2	SW-400002
220040	S12-2 Servo Savor and Rear Gear Box Parts	1	SW-220040	400014	S104 Aluminum Shock Spring Adjust Nut O-Ring 1.5x13.5mm	4	SW-400014
220041-MF	S12-2 Series Middle Front Motor Position Gear Box	1	SW-220041-MF	400025	SWORKz 1/10 Series Pro Shock System Seal O-ring	8	SW-400025
220041-3C	S12-2 Gear Box Gen 3 Cover	1	SW-220041-3C	410047	SWORKz Shock Cap O-Ring (SP)	4	SW-410047
220042	S12-2 Sway Bar Plastic Parts	1	SW-220042	410049	1/10 Shock Seal Cap O-ring (8*10*1)	4	SW-410049
220043	S12-2 Battery Holder Set	1	SW-220043	610024	S12-2 Battery Block	2	SW-610024
220044	S12-2 Rear Wing Mount Set	1	SW-220044	610013B08	S14/S12 Slipper Clutch Teflon Pad(Low Grip)(Yellow)(8mm)	2	SW-610013B08
220045	S12-2 Gear Box Inserts	1	SW-220045	610017P	S12 Series Diff. Paper Gasket (0.4T)	1	SW-610017P
220046	S12-2 Rear Hub Insert Set	1	SW-220046	512001	S12-2 Eaglet ST-2 Body Shell Decal Sheet	1	SW-252001
220047	S12-2 Front C-Hub Insert& Sway Bar Ball End Parts	1	SW-220047	512002	S12-2 Eaglet ST-2 Body Shell Window Mask	1	SW-252001
220049-1	SWORKz 1/10 Precision Plastic Shock Piston(1.6X2Holes)	2	SW-220049-1	510091	SWORKz Original Logo Sticker	1	SW-510091
220049-2	SWORKz 1/10 Precision Plastic Shock Piston(1.7X2Holes)	2	SW-220049-2	115161	S14/S12 Black Competition Rear Shock Spring (L3-Dot)(57X1.1X8.0)	2	SW-115161
220049-5	SWORKz 1/10 Precision Plastic Shock Seal Part (2 Sets)	2	SW-220049-5	115185	S12-2 Black Competition Front Shock Spring (US4-Dot)(38X1.2X6.0)	2	SW-115185
220050-1	SWORKz 1/10 Precision Plastic Shock Cap	4	SW-220050	115172	S12-2 Front Sway Bar 1.0mm	1	SW-115172
220050-2	SWORKz 1/10 Precision Plastic Shock Seal Cap	4	SW-220050	115177	S12-2 Rear Sway Bar 1.3mm	1	SW-115177
224007L3	SWORKz 1/10 Plastic Ball End Set (T3.0mm)	4	SW-224007L3	115188	SWORKz 1/10 Slipper Clutch Spring (D1.4x12mm)	1	SW-115188
224007S2-25	SWORKz 1/10 2WD Savor Servo Arm (25T)	1	SW-224007S2-25	115189	SWORKz 1/10 Slipper Clutch Spring (D1.6x12mm)	1	SW-115189
224007S2-23	SWORKz 1/10 2WD Savor Servo Arm(23T)	1	SW-224007S2-23	116010R	Ball Bearing 5x10x4mm (Red Rubber Case)	10	SW-116010R
222001	S12-2 Plastic Synthesis Rear Hub (R=L)	2	SW-222001	116013R	Ball Bearing 10x15x4mm (Red Rubber Case)	2	SW-116013R
224010	SWORKz 1/10 Series Shock Plastic Parts	4	SW-224010	116015	Ball Bearing 5x8x2.5mm	4	SW-116015
250042	SWORKz 1/10 sonic wing 6.5"	1	SW-250042	116019R	Ball Bearing 5x13x4mm (Red Rubber Case)	2	SW-116019R
252002-65	SWORKz 1/10 sonic front lexan wing "65mm"	1	SW-250045	117003	Flange Ball Bearing 3x6x2.5mm	2	SW-117003
252001	S12-2 Eaglet Style 2.0 Clean Body Sheel	1	SW-252001	101020A	3mm Countersunk Washers (RD)	6	SW-101020A
212001	S12-2 Rear CVD Drive Shaft Set 62mm	2	SW-212001	101007	Washer 3x8x0.5	2	SW-101007
330134	Shock Ball Stud	4	SW-330134	101011	M2.6x6xT0.5mm	4	SW-101011
330156	Adjuster Knob	2	SW-330156	101012	M3x6xT0.5mm	6	SW-101012
330277	S104 Diff. Bevel Gear 18T	2	SW-330278	101023	S104 Shim 10x12x0.1mm	1	SW-101023
330278	S104 Diff. Bevel Gear 10T	4	SW-330278	101024	S104 Shim 10x12x0.2mm	1	SW-101024
330279	S104 Bevel Gear Shaft	2	SW-330279	101025	Shim 3.5x10x0.1mm	4	SW-101025
330283	S104 Pin M2.0x9.8mm	4	SW-330283	101026	SWORKz Aluminum Washer 3X6X1.5mm	11	SW-101026
330295	S104 CVD Join	2	SW-330295	103001	M3 Nut Lock	3	SW-103001
330300	S104 Rear Upper Sus. Arm Turnbuckles	4	SW-330300	103002	Flage Nylon Nut M4	4	SW-103002
330304A	S104 Aluminum Shock Spring Adjust Nut (BK)	4	SW-330304A	103007	M3mm Nut Lock Thim (BK)	2	SW-103007
330315	Sway Bar Linkage Ball Stud	4	SW-330315	104002	Set Screw M3x10	2	SW-104002
330321	S104 Center Slipper Clutch Pin M2.0x8mm	1	SW-330321	104004	M3x3mm Set Screw	13	SW-104004
330331	S104 Steering Linkage 5mm Ball Stud (L4.1mm)	1	SW-330331	104005	Set Screw M3x4	2	SW-104005
330410	Motor Gear 21T	1	SW-330410	104009	M3x16mm Set Screw	2	SW-104009
330516	S12 Idler Gear Shaft 5X15L	1	SW-330516	104012	M3x12mm Set Screw	1	SW-104012
330525	S12 Rear Lower Arm Hinge Pin (3X44mm)	2	SW-330525	105021	M3x6mm Conical Head Screw	4	SW-105021
330536	S12 Pin (3X26mm)	2	SW-330536	106001	M3x8mm Hex Soket OH/TP Screw	13	SW-106001
330537	S12 Arm Hinge Pin (3X34mm)	2	SW-330537	106002	M3x10mm Hex Soket OH/TP Screw	26	SW-106002
330541	S12 Gear Diff Outdrive	2	SW-330541	106003	Button Head Screw M3x16mm	1	SW-106003
330544	S12 Shock Seal Cover (SP)	4	SW-330544	106005	M3x15mm Hex Soket OH/TP Screw	2	SW-106005
330643	S104 EVO Steering Linkage 5mm Ball Stud (L7mm)	1	SW-330643	106008	M3x12mm Hex Soket OH/TP Screw	7	SW-106008
332002	S12-2 Aluminum Idler Gear 20T	1	SW-332002	106009	M3x25mm Hex Soket OH/TP Screw	2	SW-106009
332005A	S12-2 Slipper Clutch Adjust Screw 2.4x65mm	1	SW-332005A	106010	M3x6mm Hex Soket OH/TP Screw	4	SW-106010
332006	S12-2 Aluminum Motor Plate	1	SW-332006	106014	M2x6mm Hex Soket OH/TP Screw	14	SW-106014
332007A	S12-2 Series Lightened Rear Lower Arm Holder (RF)	1	SW-332007A	106015	M3x5mm Hex Soket OH/TP Screw	2	SW-106015
332008A	S12-2 Series Rear Lower Arm Plate (RR)	1	SW-332008A	106017	M3x14mm Hex Soket OH/TP Screw	4	SW-106017
332010	S12-2 CVD Axil	2	SW-332010	106020	M2.5x5mm 1.5mmHex Soket OH/ST Screw	6	SW-106020
332011	S12-2 CVD Axil Holder	2	SW-332011	108001	M3x12mm FH/ST HEX Screw	6	SW-108001
332012	S12-2 Rear Drive Shaft (62mm)	2	SW-332012	108003	M3x10mm FH/ST HEX Screw	18	SW-108003
332013	S12-2 Aluminum Servo Savor Post	2	SW-332013	108005	M3x14mm FH/ST HEX Screw	2	SW-108005
332014	S12-2 Aluminum Steering Hub Axil (L&R)	2	SW-332014	108006	M3x8mm FH/ST HEX Screw	26	SW-108006
332015	S12-2 Aluminum Front Lower Arm Holder	1	SW-332015	108007	M3x6mm FH/ST HEX Screw	2	SW-108007
332032	S12-2 High Torque Aluminum Slipper Clutch Pad (Outside)	1	SW-332032	108014	M3x4mm FH/ST HEX Screw	1	SW-108014
332033	S12-2 High Torque Aluminum Slipper Clutch Pad (Inside)	1	SW-332033	108028	M2.6x4mm Flat Head Screw - Hex Socket	4	SW-108028
332034	S12-2 Steel Slipper Clutch Spring Holder Washer	2	SW-332034	108029	M2.0x4.6mm FH/ST HEX Screw (1.5mm HexHead)	4	SW-108029
332038-SF	SWORKz 1/10 Series Pro Shock System Shorter Front Shaft (SF-41.2mm)	2	SW-332038-SF	200193	Antenna Tube	1	SW-200193
332038-SR	SWORKz 1/10 Series Pro Shock System Shorter Rear Shaft (SR-48.2mm)	2	SW-332038-SR	420010	Antenna Cup	1	SW-200193
332039-SF	SWORKz 1/10 Series Pro Shock Body for Shorter Front System(SF)	2	SW-332039-SF				
332039-SR	SWORKz 1/10 Series Pro Shock Body for Shorter Rear System (SR)	2	SW-332039-SR				
332042-25	S12-2C/D Full Edition Main Chassis 2.5mm	1	SW-332042-25				
332055	SWORKz 1/10 Series Linkage Turnbuckle M3X45mm	2	SW-332055				
334002	S14-3 Aluminum Shock Stud	4	SW-334002				
334011	S14-3 12mm Wheel Hex (5.7mm)	2	SW-334011				

Spare Part List

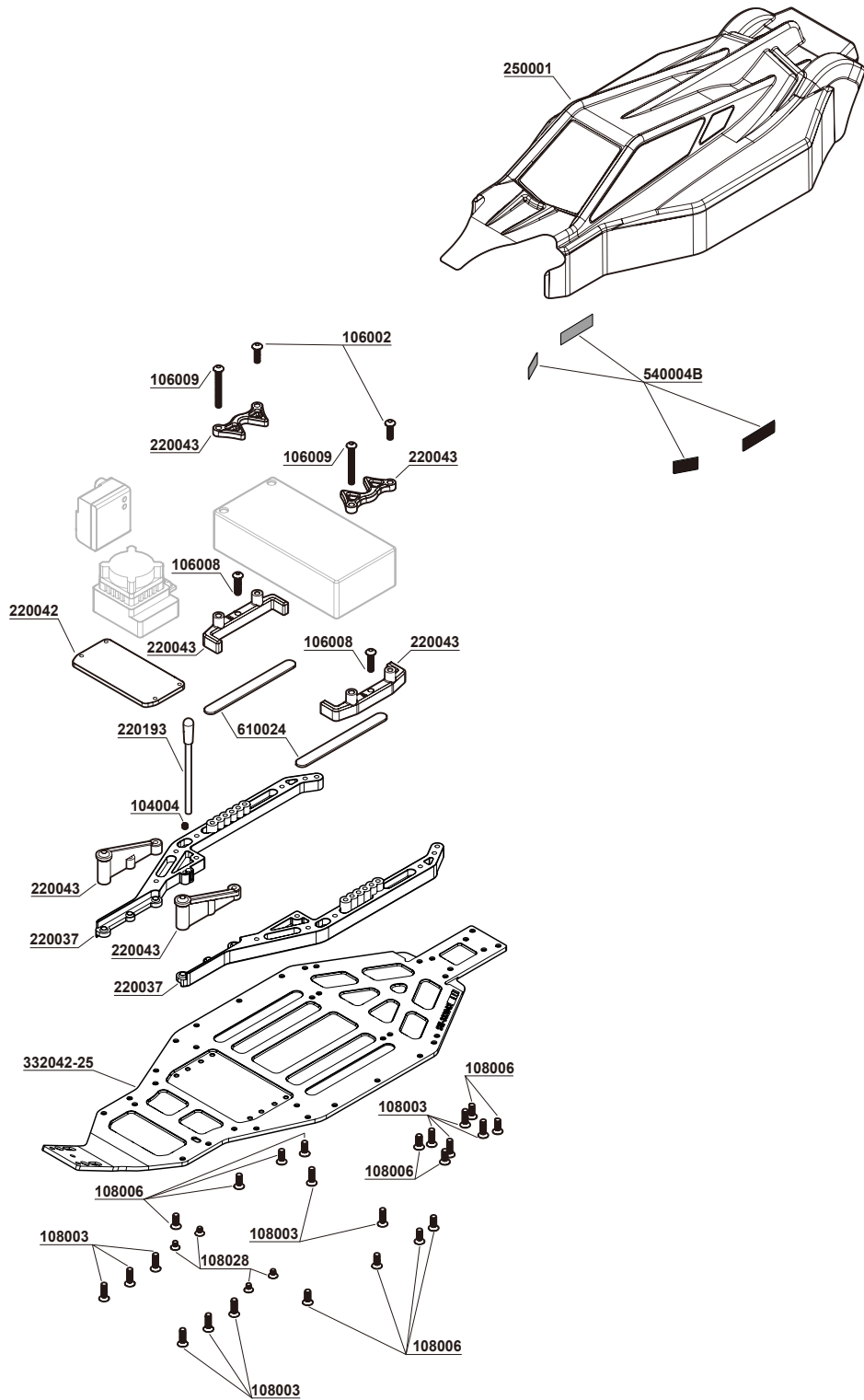
Item No.	Part Name	Item No.	Part Name
SW-2502402	S12-1 Diff Case Set	SW-334022A	SWORKz 1/10 3x32mm Hinge Pin(2PC)
SW-2501807	SWORKz Shock Spring Holder with Ball End Plastic Parts	SW-342004	S12-2 Pro-composite Front Carbon Fiber Shock Tower (Higher)
SW-2502403-01	S12-1 Idler Gear 52T	SW-342005	S12-2 Pro-composite Rear Carbon Fiber Shock Tower (Higher)
SW-2503210A	SWORKz 1/10 Eccentric Bushing Set	SW-342003	S12-2 Steering Carbon Plate (1PC)
SW-220031-81	S14-3 Precision Plastic Center Spur Gear 81T for Slipper Clutch	SW-334060-7	SWORKz 1/10 Linkage Ball Stud D5.5mm x L7mm)(4PC)
SW-220034	S12-2 Front C Hub Set in Pro-composite Hard Material	SW-334060-4	SWORKz 1/10 Linkage Ball Stud D5.5mm x L4mm)(2PC)
SW-220035A	S12-2 Front Durable Lower Arm Set in Pro-composite Material (Standard)	SW-354003-36	S12 Series POM MFR Idler Gear 36T
SW-220036	S12-2 Rear Lower Arm Set in Pro-composite Material (Standard)	SW-400002	O-ring S5 4.8x1.5 (6pcs)
SW-220037	S12-2 Side Guard Set in Pro-composite Material (Standard)	SW-400014	S104 Aluminum Shock Spring Adjust Nut O-Ring 1.5x13.5mm
SW-220038	S12-2 Front & Rear Hub Carry Set	SW-400025	SWORKz 1/10 Series Pro Shock System Seal O-ring
SW-220039A	S12-2 Front Arm Holder Plastic Parts (Durable)	SW-410047	S104 EVO/S12-1 Shock Cap O-Ring (SP)
SW-220040	S12-2 Servo Savor and Rear Gear Box Parts	SW-410049	1/10 Shock Seal Cap O-ring (8*10*1)
SW-220041-MF	S12-2 Series Middle Front Motor Position Gear Box	SW-610017	S102 Diff. Gasket (16X24X0.4t)
SW-220041C-3	S12-2 Middle Front Motor Gear Box Gen 3 Cover	SW-610024	S12-2 Battery Block
SW-220042	S12-2 Sway Bar Plastic Parts	SW-610013B08	S14/S12 Slipper Clutch Teflon Pad(Low Grip)(Yellow)(8mm)
SW-220043	S12-2 Battery Holder Set	SW-252001	S12-2 Eaglet ST-2 Clean Body Shell Set
SW-220044	S12-2 Rear Wing Mount Set	SW-510091	SWORKz Original Logo Sticker (2PC)
SW-220045	S12-2 Gear Box Inserts	SW-115089	S12 Series Ball Diff. Adjust Spring
SW-220046	S12-2 Rear Hub Insert Set	SWC-115161	S14/S12 Black Competition Rear Shock Spring (L3-Dot)(57X1.1X8.0)
SW-220047	S12-2 Front C-Hub Insert& Sway Bar Ball End Parts	SWC-115185	S12-2 Black Competition Front Shock Spring (US4-Dot)(38X1.2X6.0)
SW-220049-1	SWORKz 1/10 Precision Plastic Shock Piston(1.6X2Holes)	SW-115172	S12-2 Front Sway Bar 1.0mm
SW-220049-2	SWORKz 1/10 Precision Plastic Shock Piston(1.7X2Holes)	SW-115177	S12-2 Rear Sway Bar 1.3mm
SW-220049-5	SWORKz 1/10 Precision Plastic Shock Seal Part (2 Sets)	SW-115188	SWORKz 1/10 Slipper Clutch Spring (D1.4x12mm)
SW-220050	SWORKz 1/10 Pro-Shock Precision Plastic Shock Cap & Seal Cap (4 Sets)	SW-115189	SWORKz 1/10 Slipper Clutch Spring (D1.6x12mm)
SW-222001	S12-2 Plastic Synthesis Rear Hub (R=L)(1Set)	SW-116010R	Ball Bearing 5x10x4mm (Red Rubber Case)(4PC)
SW-224007S2-25	SWORKz 1/10 2WD Savor Servo Arm (25T)	SW-116013R	Ball Bearing 10x15x4mm (Red Rubber Case)(6PC)
SW-224007S2-23	SWORKz 1/10 2WD Savor Servo Arm(23T)	SW-116015	Ball Bearing 5x8x2.5mm
SW-224007L3	SWORKz 1/10 Plastic Ball End Set (T3.0mm) (2 Sets)	SW-116019R	Ball Bearing 5x13x4mm (Red Rubber Case)(4PC)
SW-224010	SWORKz 1/10 Series Shock Plastic Parts (2 Sets)	SW-117003	Flange Ball Bearing 3x6x2.5mm (2pcs)
SW-250042	SWORKz 1/10 sonic wing 6.5"	SW-101020A	3mm Countersunk Washers (RD)
SW-250045	SWORKz 1/10 sonic front lexan wing "65mm"	SW-101007	Washer 3x8x0.5
SW-252001	S12-2 Eaglet Style 2.0 Clean Body Sheel	SW-101011	M2.6x6xT0.5mm
SW-212001	S12-2 Rear CVD Drive Shaft Set 62mm	SW-101012	M3x6xT0.5mm
SW-330134	Shock Ball Stud	SW-101023	S104 Shim 10x12x0.1mm
SW-330156	SWORKz Adjuster Knob (GM)(2PC)	SW-101024	S104 Shim 10x12x0.2mm
SW-330278	S104 Diff. Bevel Gear Set	SW-101025	Shim 3.5x10x0.1mm
SW-330279	S104 Bevel Gear Shaft	SW-101026	SWORKz Aluminum Washer 3X6X1.5mm
SW-330283	S104 Pin M2.0x9.8mm	SW-103001	M3 Nut Lock
SW-330295	S104 CVD Join Set (2 Sets)	SW-103002	Flage Nylon Nut M4
SW-330300	S104 Rear Upper Sus. Arm Turnbuckles (2pcs)	SW-103007	M3 Nut Lock Thim Type (BK)(10PC)
SW-330304A	S104 Aluminum Shock Spring Adjust Nut (BK)	SW-104002	Set Screw M3x10
SW-330315	S104 Sway Bar Linkage Ball Stud (4pcs)	SW-104004	M3x3mm Set Screw (10pcs)
SW-330321	S104 Center Slipper Clutch Pin M2.0x8mm (2pc)	SW-104005	M3x4mm Set Screw (10pcs)
SW-330331	S104 Steering Linkage Ball Stud 5x4.1mm (2pcs)	SW-104009	M3x16mm Set Screw (10pc)
SW-330410	SWORKz 1/10 Motor Pinion Gear 21T	SW-104012	M3x12mm Set Screw (10pcs)
SW-330516	S12-1 Idler Gear Shaft 5X15L	SW-105021	M3x6mm Conical Head Screw (10PC)
SW-330525	S12 Rear Lower Arm Hinge Pin (3X44mm)	SW-106001	M3x8mm Hex Soket OH/TP Screw (10pcs)
SW-330536	S12 Pin (3X26mm)	SW-106002	M3x10mm Hex Soket OH/TP Screw (10pcs)
SW-330537	S12 Arm Hinge Pin (3X34mm)	SW-106003	M3x16mm Hex Soket OH/TP Screw (10pcs)
SW-330541	S12 Gear Diff Outdrive	SW-106005	M3x15mm Hex Soket OH/TP Screw
SW-330643	S104 EVO Steering Linkage 5mm Ball Stud (L7mm)(4PC)	SW-106008	M3x12mm Hex Soket OH/TP Screw (10pcs)
SW-332002	S12-2 Aluminum Idler Gear 20T	SW-106009	M3x25mm Hex Soket OH/TP Screw (10pcs)
SW-332005A	S12-2 Slipper Clutch Adjust Screw 2.4x65mm	SW-106010	M3x6mm Hex Soket OH/TP Screw (10pcs)
SW-332006	S12-2 Aluminum Motor Plate	SW-106014	M2x6mm Hex Soket OH/TP Screw (10pcs)
SW-332007A	S12-2 Series Lightened Rear Lower Arm Holder (RF)	SW-106015	M3x5mm Hex Soket OH/TP Screw (10pcs)
SW-332008A	S12-2 Series Rear Lower Arm Plate (RR)	SW-106017	M3x14mm Hex Soket OH/TP Screw (10PC)
SW-332010	S12-2 CVD Axil (2PC)	SW-106020	M2.5x5mm 1.5mmHex Soket OH/ST Screw
SW-332011	S12-2 CVD Axil Holder (2PC)	SW-108001	M3x12mm FH/ST HEX Screw (10pcs)
SW-332012	S12-2 Rear Drive Shaft (62mm)(2PC)	SW-108003	M3x10mm FH/ST HEX Screw (10pcs)
SW-332013	S12-2 Aluminum Servo Savor Post (2PC)	SW-108005	M3x14mm FH/ST HEX Screw (10pcs)
SW-332014	S12-2 Aluminum Steering Hub Axil (L&R)(2PC)	SW-108006	M3x8mm FH/ST HEX Screw (10pcs)
SW-332015	S12-2 Aluminum Front Lower Arm Holder	SW-108007	M3x6mm FH/ST HEX Screw (10pcs)
SW-332032	S12-2 High Torque Aluminum Slipper Clutch Pad (Outside)	SW-108014	M3x3mm FH/ST HEX Screw (10pcs)
SW-332033	S12-2 High Torque Aluminum Slipper Clutch Pad (Inside)	SW-108028	M2.6x4mm Flat Head Screw - Hex Socket (10PC)
SW-332034	S12-2 Steel Slipper Clutch Spring Holder Washer (2PC)	SW-108029	M2.0x4.6mm FH/ST HEX Screw (1.5mm Hex)(10PC)
SW-332038-SF	SWORKz 1/10 Series Pro Shock System Shorter Front Shaft (SF-41.2mm)	SW-200193	Antenna Tube (3 sets)
SW-332038-SR	SWORKz 1/10 Series Pro Shock System Shorter Rear Shaft (SR-48.2mm)		
SW-332039-SF	SWORKz 1/10 Series Pro Shock Body for Shorter Front System (SF)		
SW-332039-SR	SWORKz 1/10 Series Pro Shock Body for Shorter Rear System (SR)		
SW-332042-25	S12-2C/D Full Edition Main Chassis 2.5mm		
SW-332055	SWORKz 1/10 Series Linkage Turnbuckle M3X45mm (2PC)		
SW-334002	S14-3 Aluminum Shock Stud (2PC)		
SW-334011	S14-3 12mm Wheel Hex (5.7mm)(Option)(2PC)		
SW-334020	S14-3 Series C Hub Bushing (A)(2.5)(2PC)		
SW-334021	S14-3 Series C Hub Bushing (B)(0.7)(2PC)		

Option Part List

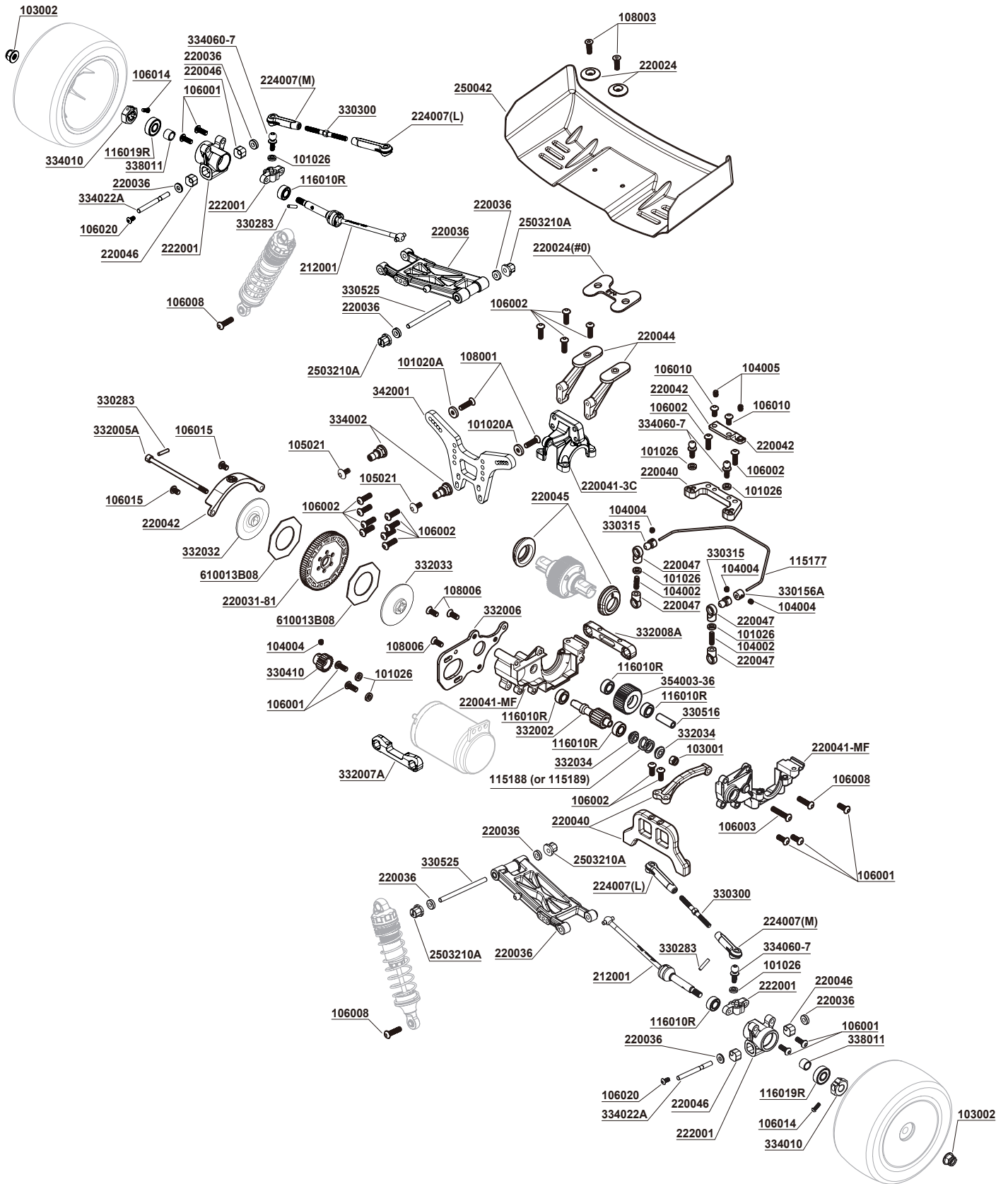
Item No.	Part Name
SW-212002	S12 Series Ball Differential Unite
SW-210072	S12-1 Series Gear Diff Set
SW-212007-SF	SWORKz 1/10 Series Pro-Shock System Shorter Travel Front Set
SW-212007-SR	SWORKz 1/10 Series Pro-Shock System Shorter Travel Rear Set
SW-212008-LF	SWORKz 1/10 Series Pro-Shock System Longer Travel Front Set
SW-212008-LR	SWORKz 1/10 Series Pro-Shock System Longer Travel Rear Set
SW-220025WH	SWORKz 1/10 2WD Off Road Competition Front Dish Wheel (WH) (4PC)
SW-220025FY	SWORKz 1/10 2WD Off Road Competition Front Dish Wheel (FY) (4PC)
SW-220026WH	SWORKz 1/10 2/4WD Off Road Competition Rear Dish Wheel (WH) (4PC)
SW-220026FY	SWORKz 1/10 2/4WD Off Road Competition Rear Dish Wheel (FY) (4PC)
SW-220031-72	S14-3 Precision Plastic Center Spur Gear 72T for Slipper Clutch
SW-220031-78	S14-3 Precision Plastic Center Spur Gear 78T for Slipper Clutch
SW-220035H	S12-2 Front Lower Arm Set in Pro-composite Hard Material
SW-220036H	S12-2 Rear Lower Arm Set in Pro-composite Hard Material
SW-220037H	S12-2 Side Guard Set in Pro-composite Hard Material
SW-220049-3	SWORKz 1/10 Pro-Shock Precision Plastic Shock Piston(1.6X3Holes)(2PC)
SW-220049-4	SWORKz 1/10 Pro-Shock Precision Plastic Shock Piston(1.8X2Holes)(2PC)
SW-250042	SWORKz 1/10 sonic lexan wing 6.5"
SW-250042-1	SWORKz 1/10 Sonic Lexan Wing 6.5" (Harder)(1PC)
SW-250042BK	SWORKz 1/10 sonic lexan wing 6.5" (BK)
SW-250042WH	SWORKz 1/10 sonic lexan wing 6.5" (WH)
SW-2501800ABK	S104 Rear Wing Set (W/O Holes) (BK)
SW-2501800AFY	S104 Rear Wing Set (W/O Holes) (FY)
SW-2501800AWH	S104 Rear Wing Set (W/O Holes) (WH)
SW-252001L	S12-2 Eaglet ST-2 Clean Body Shell (Light)
SW-330324	SWORKz 1/10 Motor Pinion Gear 20T
SW-330335	S104 Aluminum Rear Wing Washer
SW-330409	SWORKz 1/10 Motor Pinion Gear 19T
SW-330411	SWORKz 1/10 Motor Pinion Gear 22T
SW-330412	SWORKz 1/10 Motor Pinion Gear 23T
SW-330544	S104EVO/S12 Shock Seal Cover (GM)
SW-330689	S12-1M/R Aluminum Diff Case Cover
SW-330690	S12-1M/R Aluminum Savor Servo Arm (25T)
SW-330692	S12-1M/R Aluminum Savor Servo Arm (23T)
SW-332009	S12-2 Brass Front Lower Arm Balance Holder (25g)
SW-332028	S12-2 Aluminum Front Upper Arm Holder
SW-332029	S12-2 Aluminum Rear Upper Linkage Mount
SW-332040	S12-2 Aluminum Synthesis Rear Hub (1PC)(R=L)
SW-332041	S12-2 Aluminum Synthesis Rear Hub Linkage Plate (1PC)(R=L)
SW-332040-41	S12-2 Aluminum Synthesis Rear Hub Set (2 Sets)
SW-332044	S12-2 Aluminum Gear Box Support Mount
SW-332045	S12-2 Aluminum Servo Savor Arms (2PC)
SW-332046	S12-2 Aluminum Servo Savor Steering Plate
SW-332043	S12-2 T7075 Aluminum Hard Coated Intensify Chassis
SW-362001	S12-2 15g Brass Rear Lower Arm Holder (RF)
SW-334010	S14-3 12mm Wheel Hex (4.7mm)(Standard)(2PC)
SW-334038	S14-3 12mm Wheel Hex (6.7mm)(Option)(2PC)
SW-334039	S14-3 12mm Wheel Hex (7.7mm)(Option)(2PC)
SW-334047BK	SWORKz T-7075 M4 Lightened Low Profile Large-contact with Serrated Wheel Nuts (BK)(6pc)
SW-334047GM	SWORKz T-7075 M4 Lightened Low Profile Large-contact with Serrated Wheel Nuts (GM)(6pc)
SWC-115157	S14/S12 Black Competition Front Shock Spring (S4-Dot)(43X1.2X6.5)
SWC-115158	S14/S12 Black Competition Front Shock Spring (S3-Dot)(43X1.2X7.75)
SWC-115159	S14/S12 Black Competition Front Shock Spring (S2-Dot)(43X1.2X8.0)
SWC-115160	S14/S12 Black Competition Rear Shock Spring (L4-Dot)(57X1.1X7.5)
SWC-115162	S14/S12 Black Competition Rear Shock Spring (L2-Dot)(57X1.1X9.25)
SWC-115186	S12-2 Black Competition Front Shock Spring (US3-Dot)(38X1.2X7.0)
SWC-115187	S12-2 Black Competition Front Shock Spring (US2-Dot)(38X1.2X7.25)
SWC-116013A	SWORKz Competition 10x15x4mm Ball Bearing (Metal Case)(6PC)
SW-212003	S12-2 Series Front Sway Bar Kit (1.0/1.1/1.2/1.3mm)
SW-212004	S12-2 Series Rear Sway Bar Kit (1.2/1.3/1.4/1.5/1.6mm)
SW-115173	S12-2 Front Sway Bar 1.1mm
SW-115174	S12-2 Front Sway Bar 1.2mm
SW-115175	S12-2 Front Sway Bar 1.3mm
SW-115176	S12-2 Rear Sway Bar 1.2mm
SW-115178	S12-2 Rear Sway Bar 1.4mm
SW-115179	S12-2 Rear Sway Bar 1.5mm
SW-115180	S12-2 Rear Sway Bar 1.6mm
SWC-116010C	SWORKz Competition 5x10x4mm Ball Bearing(Metal Case)(6PC)
SWC-116019A	SWORKz Competition 5x13x4mm Ball Bearing (Metal Case)(4PC)

Exploded View

Chassis & Electronic Parts



Rear Suspension



S12.20E

1/10 Off Road 2WD Racing Electric Buggy



SPEEDMASTER HOBBY CO., LTD.
TEL: +886-3-538-7638
FAX: +886-3-538-7328
No.42, Ruiguang St., Xiangshan Dist.,
Hsinchu City 300, Taiwan (R.O.C.)
www.sworkz.com