

S14

1/10 Off Road Racing Buggy



SWORKZ S14-40 INSTRUCTION MANUAL

S14-4 *Dirt*

1/10 Off Road Racing Electric Buggy

INSTRUCTION

The SWORKz S14-4D (Dirt Edition) 1/10 4WD is designed for pure racing. It is an evolution from the successful S14-3D and S14-4C platform. The new geometry of the car provides optimized corner speeds and easy handling on carpet and very high grip tracks.

The S14-4D features the new gear box with adjustable diff. system on a T7075 hard anodized and lightened aluminum chassis. The flex of the chassis can be changed by different material sideguards.

The S14-4D comes with SWORKz brand new designed 1/10 Pro-Shock System (Long version shock body). The shocks come with new Emulsion Precision Plastic Shock Caps, Shock Pistons with Seal Parts. The kit comes standard with a 4mm carbon full condition version for both front rear shock towers. The Teflon coated shock shafts provides smooth shock reactions. Black Line springs which are good designed with rotation fixed spring holders comes standard in the SWORKz S14-4D kit.

A brand new 5.5mm linkage ball stud system and 3.5mm durable turnbuckles are included in the S14-4D kit. Brand new adjustable ackermann plate with lightened steering bell crank System are included too. The S14-4D has new rear angled lower arms that provide a lower shock position which leads to a lower center of gravity.

The kit is equipped with a quick release gear differential system, which can be mounted in 3 different positions. The weight of the gearbox is optimized to a perfect balance between size and strength.

The wing mount holder's height and angle can be adjusted. The rear width of the S14-4D can be changed with the new Synthesis Rear Hub System and rear CVA modularity.

The SWORKz S14-4D has a thin front sway bar and a completely new rear sway bar holder system.

The S14-4D standard comes with center gear diff system for dirt racing performance.

The S14-4D body shell has good aerodynamics.

The SWORKz development team focused on using materials, corresponding to the highest quality standards, when designing the car. You will find only 100% SWORKz quality in the S14-4D kit.

Congratulations on your purchase of the new SWORKz S14-4D 1/10 scale off-road racing buggy and thanks for trusting in SWORKz.

Please read this manual carefully before you start to build and drive your SWORKz S14-4D. This manual contains step-by-step instructions to help you complete, prepare and fine tune your buggy for racing. Updates, setups, and product news will be posted on SWORKz digital media.

As always, if you should ever have any questions or need help with your SWORKz products, please feel free to contact our official SWORKz dealers and distributors.

S14-4D Pro Kit Features :

1. T7075 hard anodized & lightened aluminum chassis
2. Adjustable flex system with various sideguards
3. 4 different battery positions
4. Front and rear 4mm Carbon shock towers
5. Changeable Ackerman plate
6. New front and rear sway bar system
7. Super light anodized front wheel axles
8. Front wing system
9. Front aluminum toe in plate
10. Easy adjustable Ackerman plate
11. The brand new 5.5mm linkage ball stud system
12. The brand new 3.5mm linkage turnbuckles system
13. Adjustable differential position
14. Quick differential release system
15. Lower shock position design with adjustable shock tower position
16. Brand new design SWORKz 1/10 Pro Shock System (Long shock body version)
17. Adjustable rear wing height
18. Adjustable rear wing angle
19. Rear width adjustable with hubs included length adjustable CVD
20. New Synthesis Rear Hub System
21. Fully adjustable square aluminum toe in plate "SWORKz" engraved
22. New designed rear sway bar holder
23. Front and rear wheel hex hard anodized
24. Super light CAD optimized gearbox
25. Precision plastic emulsion shock cap system
26. Unique designed shock stud screws
27. Hard anodized stock studs
28. Black line shock spring
29. Rotation protected spring holder
30. Teflon hard coated shock shaft
31. Hard coated shock body
32. 6 Ball bearings servo system
33. Quick release electronic plate
34. Battery pad included
35. Balanced motor position
36. Body shell with optimized aerodynamic design



Specification	
Length:	395mm
Width:	245mm
Height:	155mm
Ground Clearance:	45mm
Wheelbase:	282-285mm
Track:	F:232mm /R235mm
Gear Ratio:	C:81T/19T, F/R 42/17T
Weight:	1680g (Race condition)

WARRANTY

Your SWORKz S14-4D kit warranty covers workmanship and manufacturing defects of the original and unmodified parts. Warranty claims resulting from crashes, abuse, improper operation, improper mounting, improper adjustment or lack of maintenance will not be honored.

Contact your local hobby shop or SWORKz distributor for all claims and questions. Claims must be well documented. All Claims are subject to expert examination and approval by SWORKz.



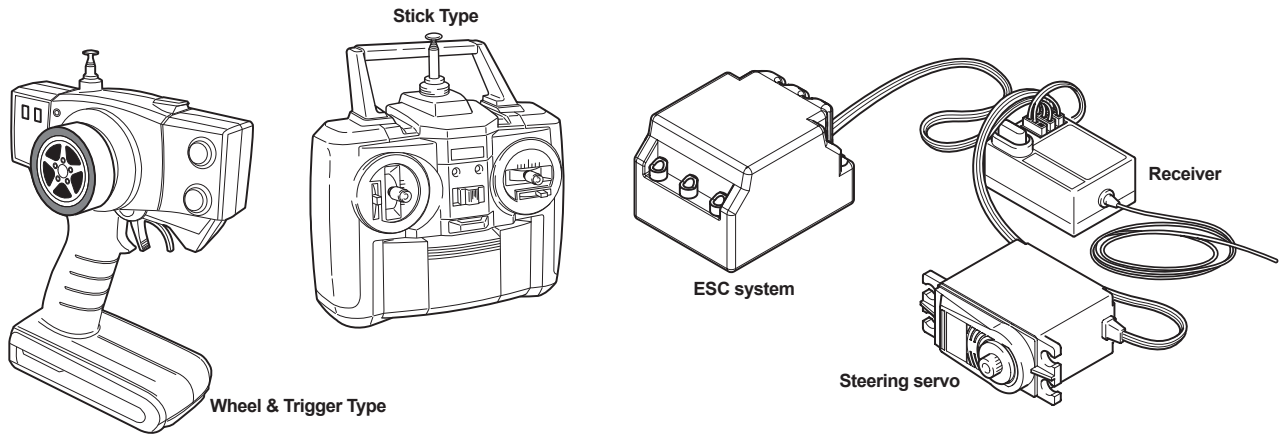
Instruction	2
Warranty	3
Index	4
Required equipment for operation	5
Operation guide	6
Assembly steps	7-27
Set-up sheet	28
S14-4D key no. list	29
S14-4D spare parts list	30
S14-4D option parts list	31
Exploded Views	32-35
End cover	36



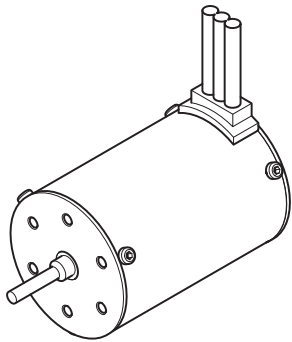
**This radio control racing car is not a toy!
This high-performance R/C model is recommended for ages
14 and older.**

Required Equipment for Operation

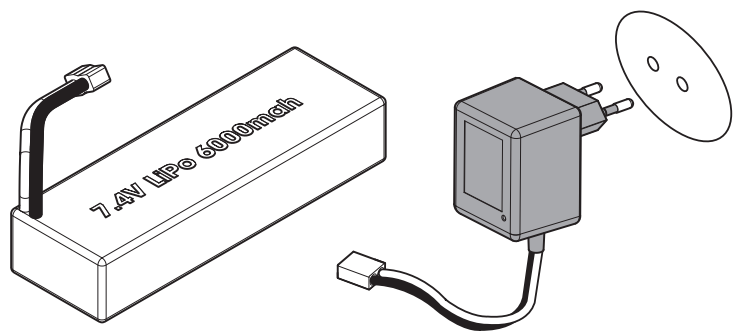
Radio Gear



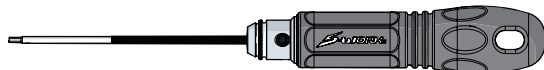
Breathless Motor



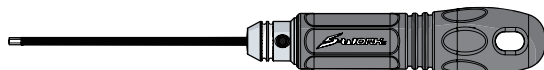
Charger and LiPo Battery



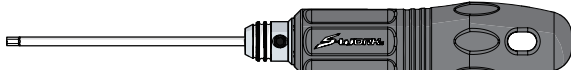
Tools Recommended



SW-620020-15 SWORKz SST-Pro 1.5mm HEX Wrench



SW-620020-20 SWORKz SST-Pro 2.0mm HEX Wrench



SW-620020-25 SWORKz SST-Pro 2.5mm HEX Wrench

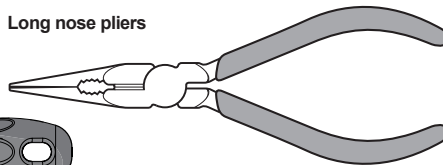


SW-620025 SWORKz SST-Pro Shorty 7.0mm Socket Driver

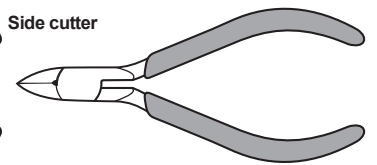


SW-620026 SWORKz SST-Pro Shorty 5.5mm Socket Driver

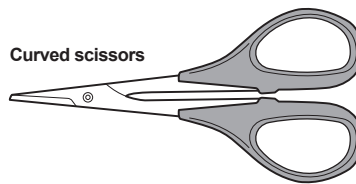
Long nose pliers



Side cutter



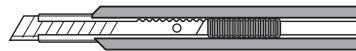
Curved scissors



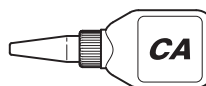
Paint



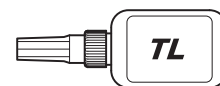
Modeling knife



Instant cement



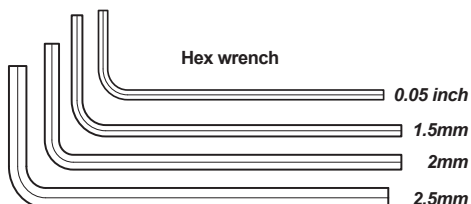
Thread lock



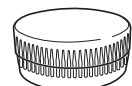
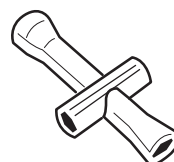
Double-sided tape



Included items



4 / 5 / 5.5 / 7mm wrench

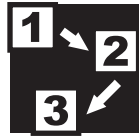


Grease

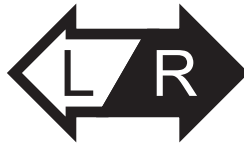
Operation Guide



Assemble front and rear



Assemble in the specified order



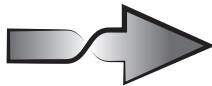
Assemble both left and right sides



Assemble for 2 sets



Assemble for 4 sets



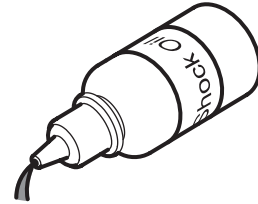
overturn



Thread Locking Compound



Grease



Pure Silicone Oil

Safety Precautions

The SWORKz S14-4D is a high performance radio control model which needs to be operated with caution and common sense.

The S14-4D Pro Kit is not intended for children under the age of 14 without adult supervision. SWORKz shall not be held liable for any loss or damages, whether direct, indirect, act of nature, arising from abuse or misuse of this product or any other product required.

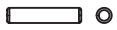
- The LiPO Battery can be dangerous if improperly handled.
- Always keep your LiPO Battery in a cool area and never use it near flames, sparks, or while smoking.
- Keep your LiPO Battery, and all other flammables, out of the reach of children.
- After running your car, all parts of the Motor and ESC can become extremely hot. Be careful not to touch these parts.
- This model is controlled by your radio controller and can be vulnerable to interference from many outside sources. This interference can cause a loss of control so it is necessary to operate this model in an open area to avoid personal or property damage. Always ensure turning on your radio first.
- Keep all the products included in the package out of the reach of children.
- This model contains many fast rotating parts. Never touch them during operation.
- Follow the instructions included with your radio gear.
- Never operate your model near people or property. The speed of this model has the potential to injure people and or damage property if misused.
- Always use original SWORKz spare parts and option parts.
- Always ensure that the buggy is in proper working condition before use.
- Always exercise caution when using any tools.

BAG B

1

F
R

x2



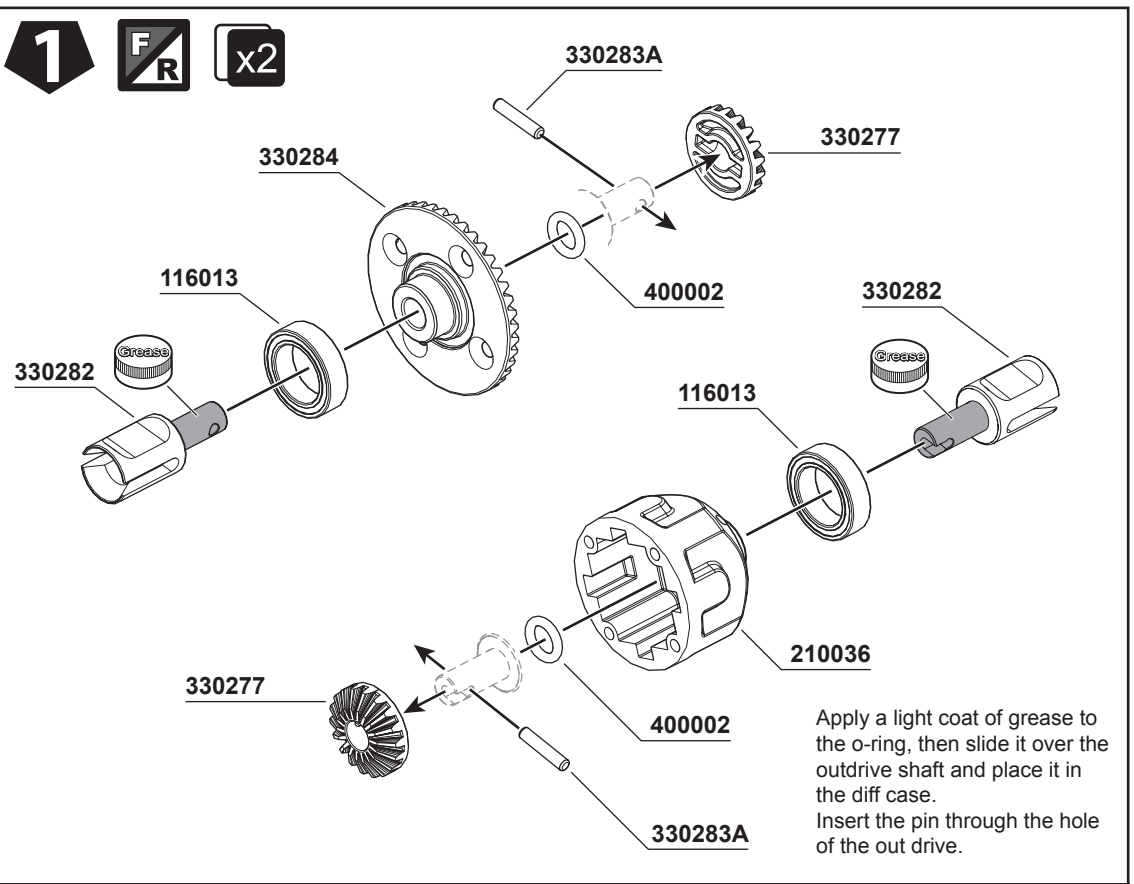
330283A
Pin M2x9.8mm x4



400002
O-ring S5 4.8x1.5 x4



116013
Ball Bearing 10x15x4mm x4



Apply a light coat of grease to the o-ring, then slide it over the outdrive shaft and place it in the diff case. Insert the pin through the hole of the out drive.

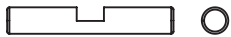
2

F
R

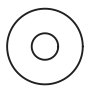
x2



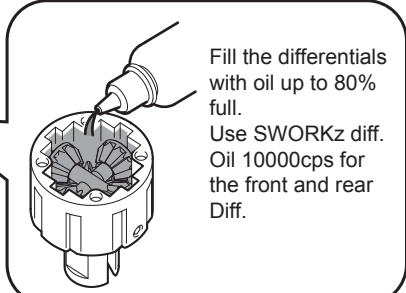
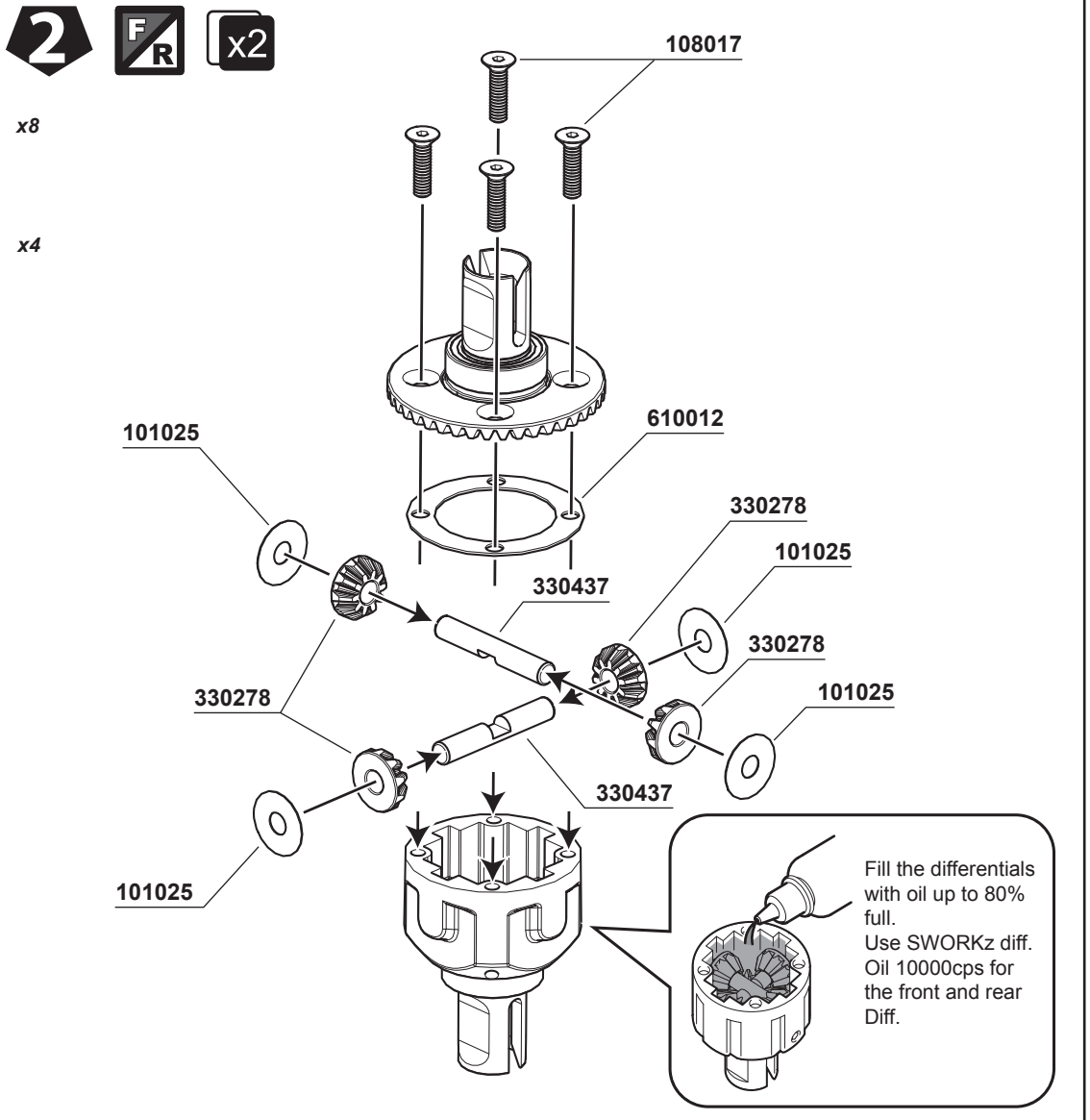
108017
M2.6x10mm FH/ST HEX Screw x8



334037
S14-3 Aluminum Bevel Gear Pin x4



101025
Washer 3.5X10X0.1mm x8

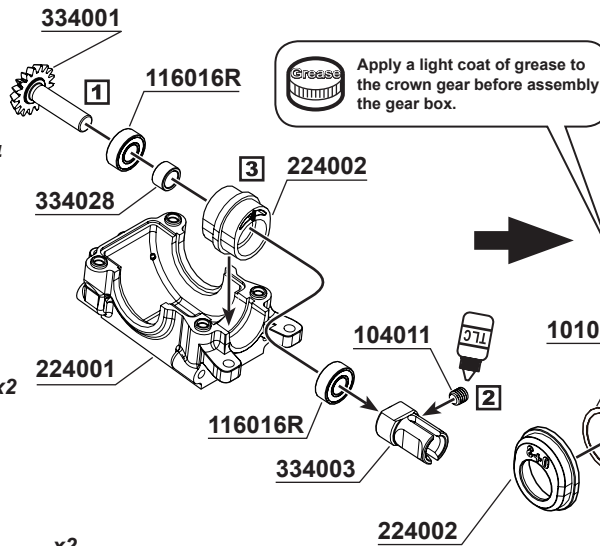


Fill the differentials with oil up to 80% full. Use SWORKz diff. Oil 10000cps for the front and rear Diff.

BAG D

3 Front

- 104011
M4x4mm Set Screw (Flat Bottom) x1
- 106008
M3x12mm Hex Socket OH/TP Screw x4
- 108001
M3x12mm FH/ST HEX Screw x2
- 334028
S14-3 Pinion Gear Stopper 5x7x4mm x2
- 116016R
Ball Bearing 5x11x4mm (Red Rubber Case) x2
- 101023
10x12x0.1mm S104 Shim x1

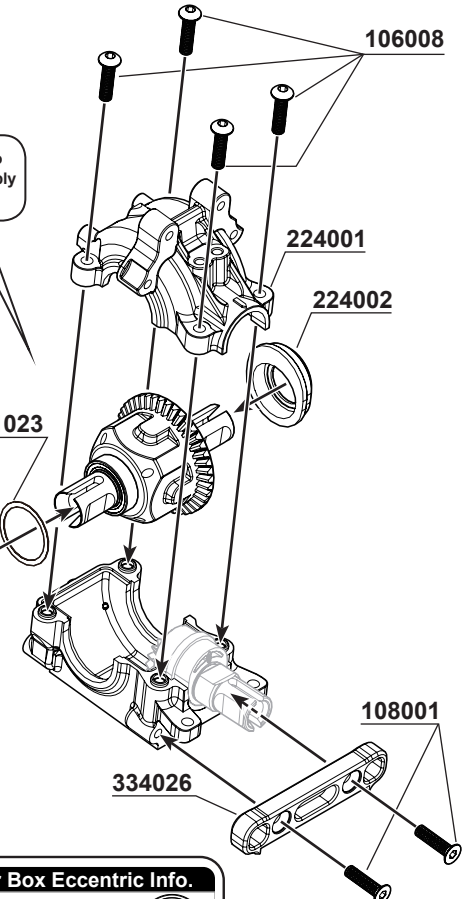


PRO TIP:
Before installing the M4x4 set screw (104011), remember to clean the set screw and center driver joint (334003) first. Then apply TLC on the set screw.

PRO TIP:
101023SHIM 10x12x0.1mm
Please use 10x12x0.1mm shims to adjust the play between the crown gear and pinion gear. Standard suggestion is 1pc shim on the diff crown gear side.

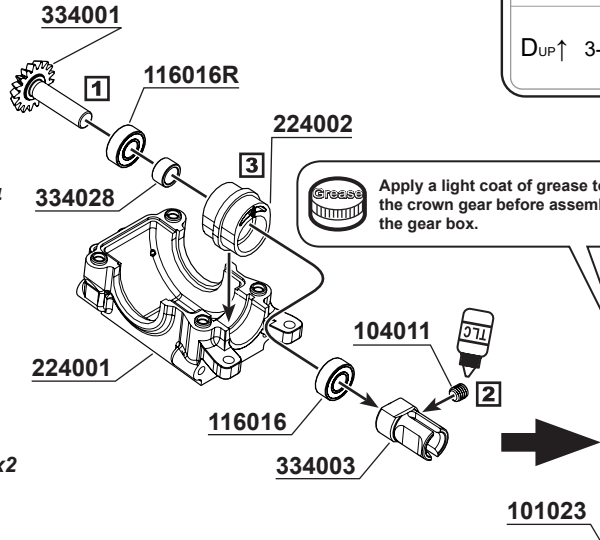
Gear Box Eccentric Info.	
A↑UP 0-0	
B↑UP 1-(+1/+2)	
C↑UP 2-(+2/+1)	
D↑UP 3-(+3/0)	

PRO TIP:
In high grip carpet track condition, we would suggestion to using combo setup B (1-(+1/+2))



4 Rear

- 104011
M4x4mm Set Screw (Flat Bottom) x1
- 106008
M3x12mm Hex Socket OH/TP Screw x4
- 108001
M3x12mm FH/ST HEX Screw x2
- 334028
S14-3 Pinion Gear Stopper 5x7x4mm x2
- 116016
Ball Bearing 5x11x4mm x2

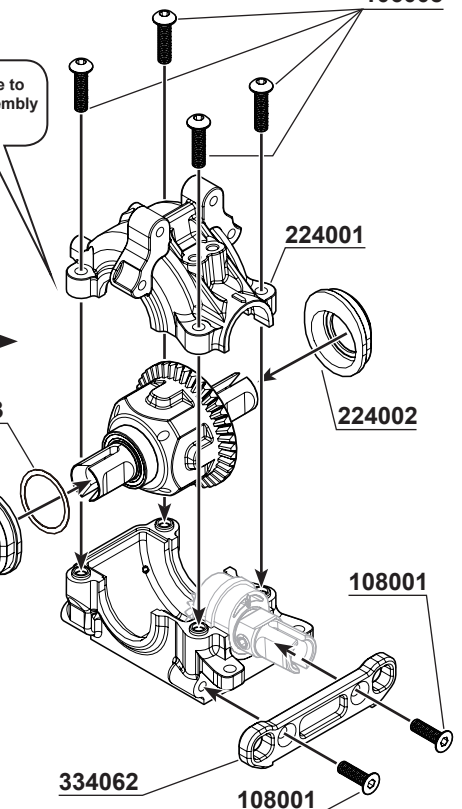


PRO TIP:
Before installing the M4x4 set screw (104011), remember to clean the set screw and center driver joint (334003) first. Then apply TLC on the set screw.

PRO TIP:
101023SHIM 10x12x0.1mm
Please use 10x12x0.1mm shims to adjust the play between the crown gear and pinion gear. Standard suggestion is 1pc shim on the diff crown gear side.

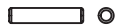
Gear Box Eccentric Info.	
A↑UP 0-0	
B↑UP 1-(+1/+2)	
C↑UP 2-(+2/+1)	
D↑UP 3-(+3/0)	

PRO TIP:
In high grip carpet track condition, we would suggestion to using combo setup B (1-(+1/+2))



BAG C

5



330283A
Pin M2x9.8mm x2



400002
O-ring S5 4.8x1.5 x2



116013
Ball Bearing 10x15x4mm x2



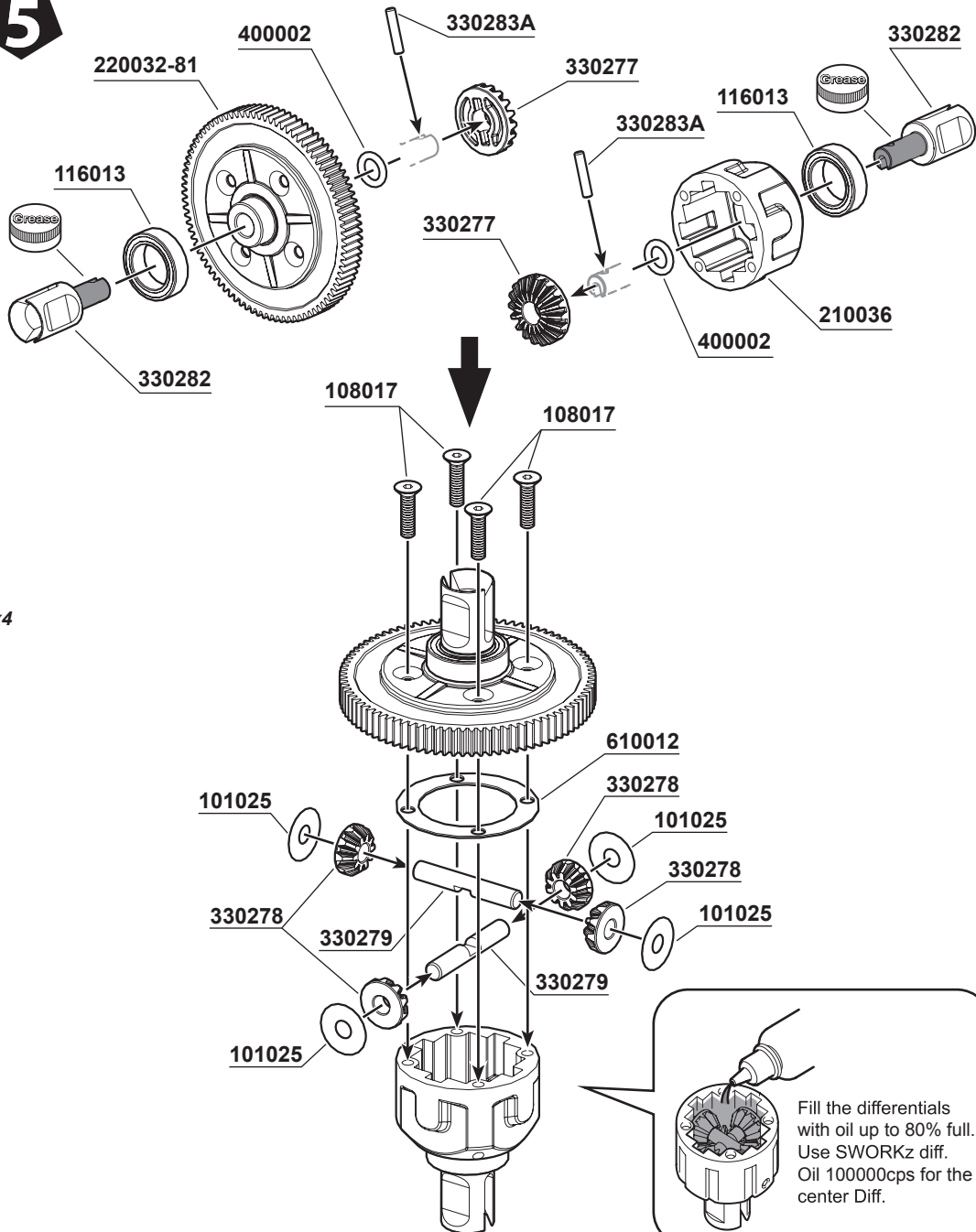
108017
M2.6x10mm FH/ST HEX Scre x4



330279
Bevel Gear Shaft x2



101025
Shim 3.5x10x0.1mm x4



BAG E

6

Front x2



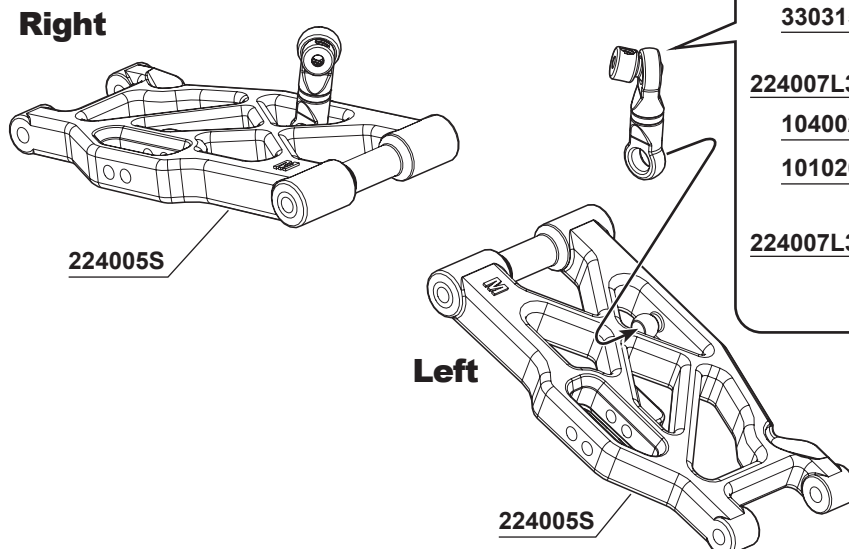
330315
Sway Bar Ball Stud x2



101026R
S102 Aluminum Washer 3X6X1.5mm x2



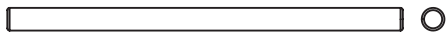
104002
M3X10mm Set Screw x2



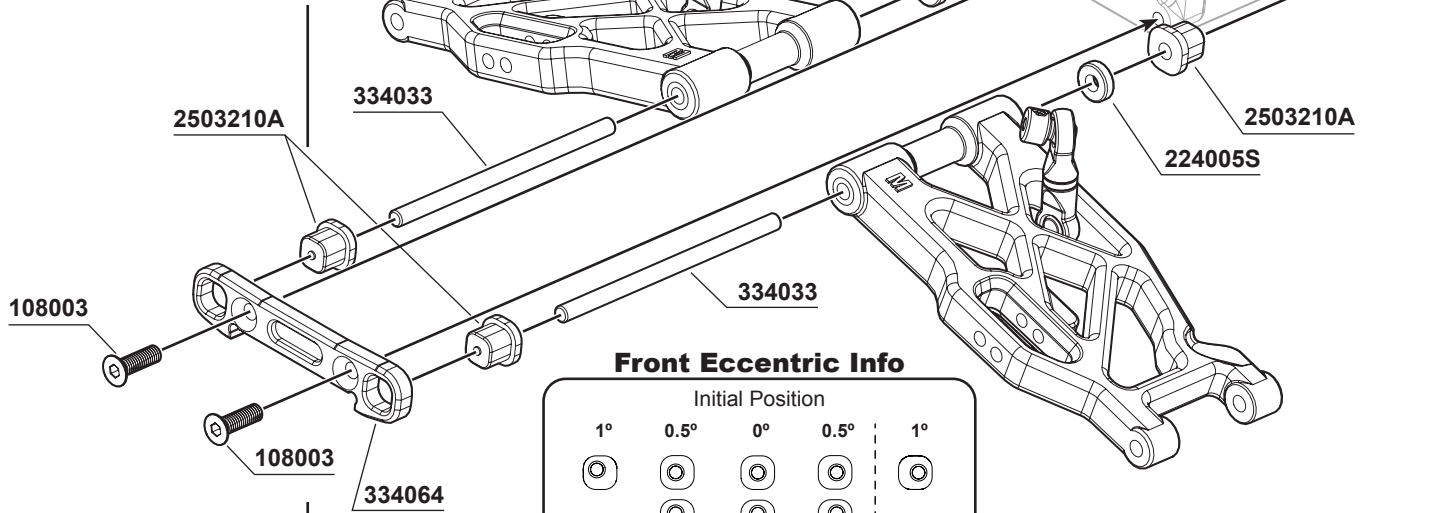
7 Front



108003
M3x10mm FH/ST HEX Screw x2



334033
S14-3 Series Lower Arm Hinge Pin 3x52.3mm x2



Front Eccentric Info

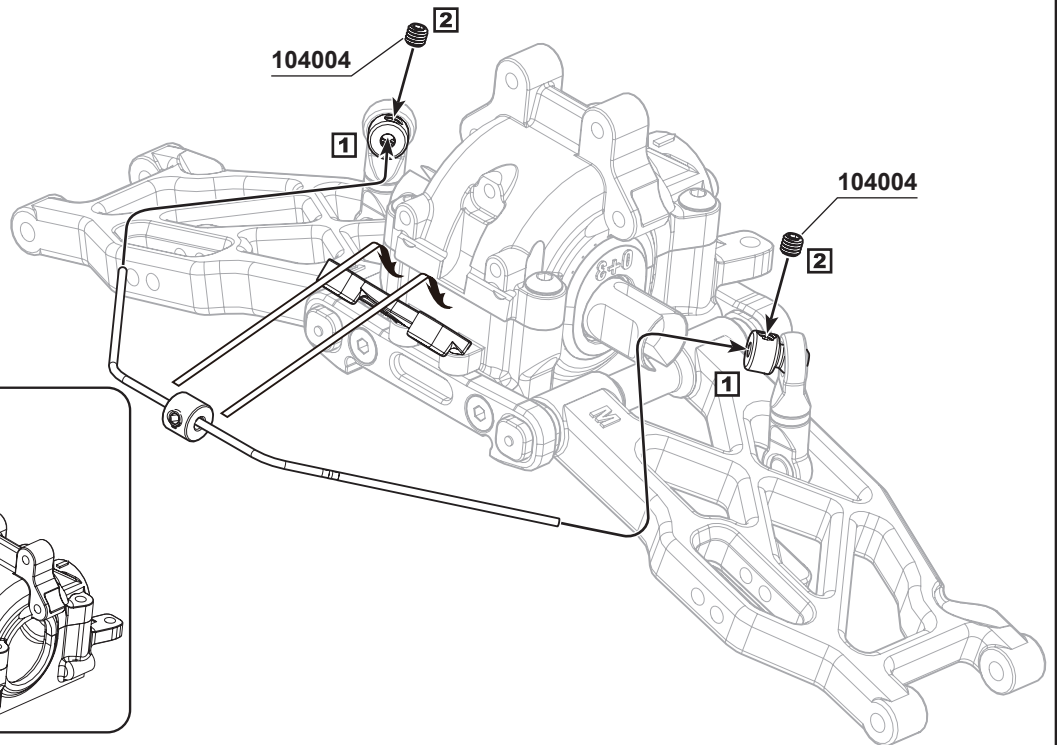
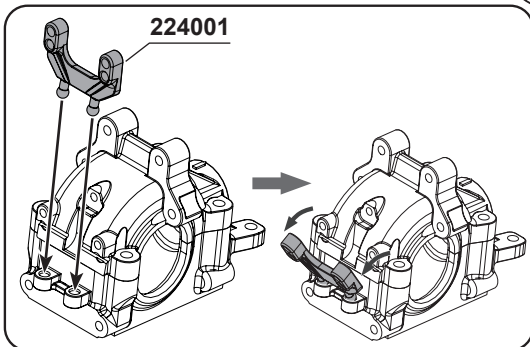
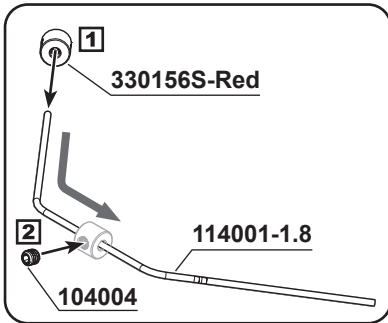
Initial Position				
1°	0.5°	0°	0.5°	1°
334064 334026				X
Option 334064A 334026A				

BAG E

8



104004
M3x3mm Set Screw x3



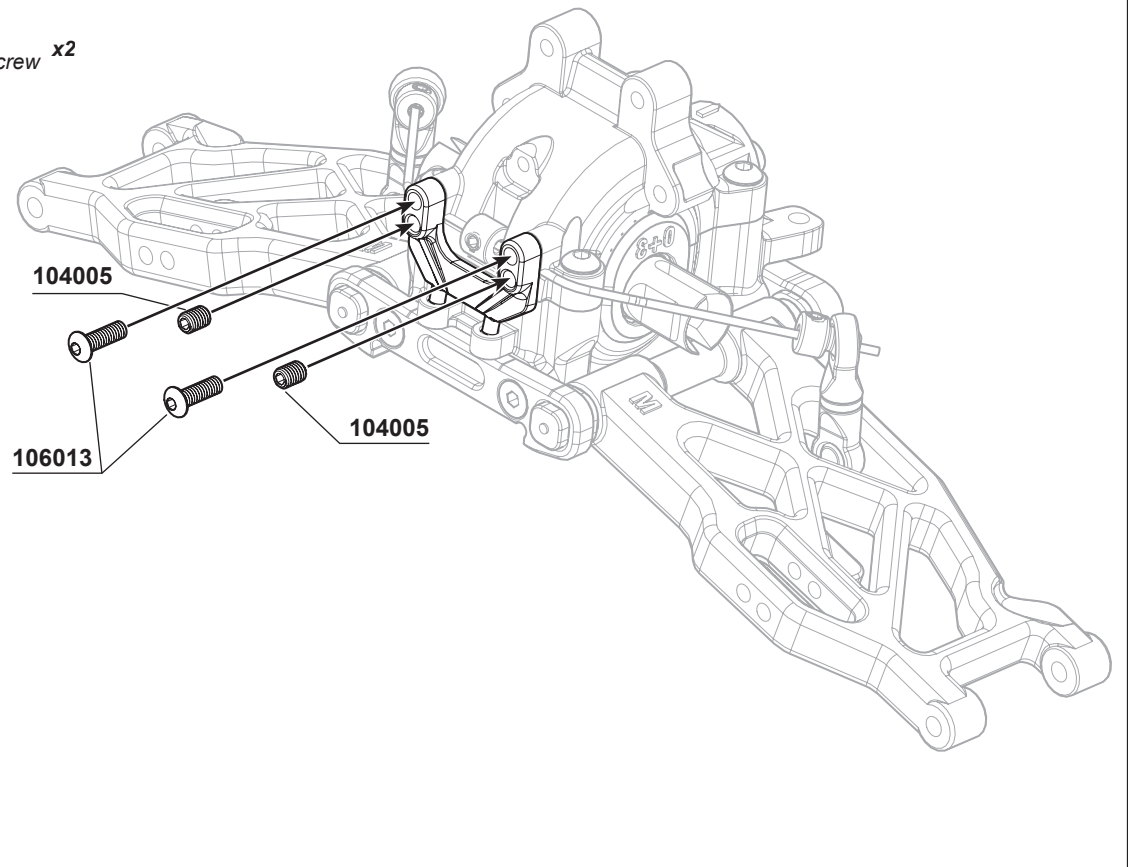
9



106013
M2.5x8mmH ex Socket OH/TPScrew x2

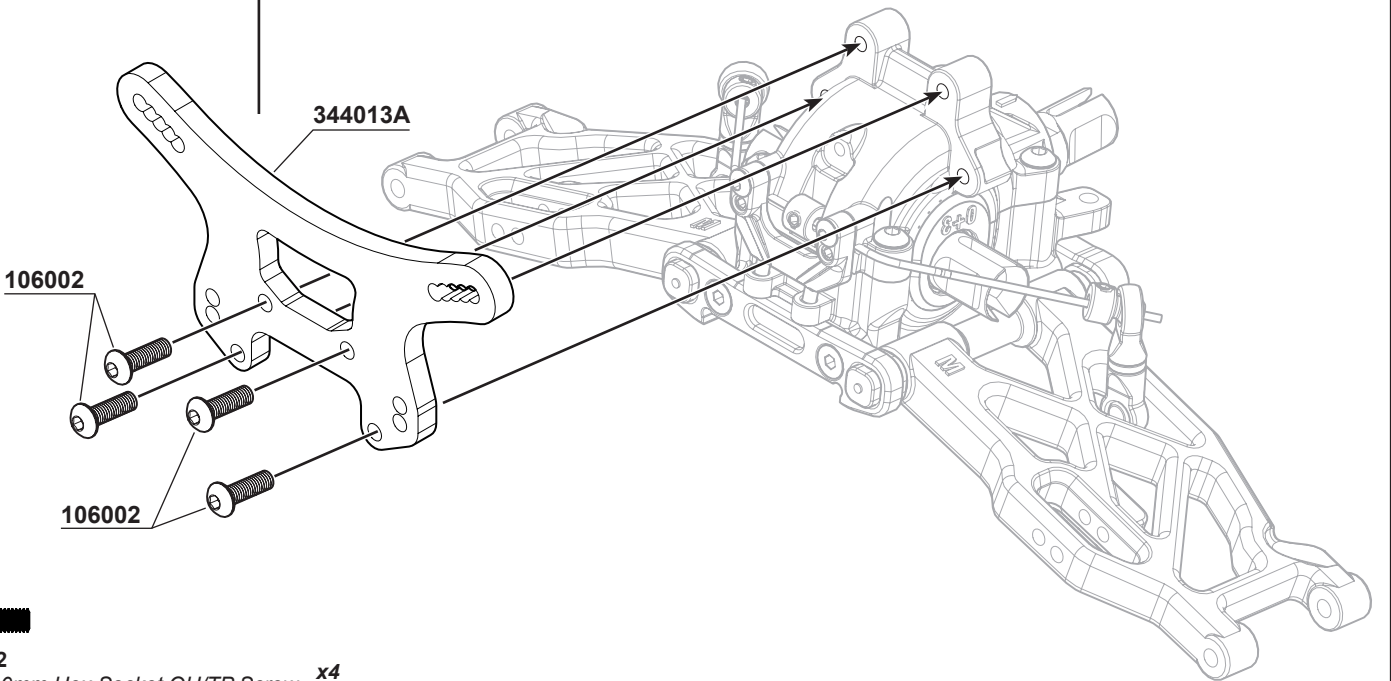


104005
M3x4mm Set Screw x2



BAG E

10



106002
M3x10mm Hex Socket OH/TP Screw x4



330315
Sway Bar Ball Stud x2

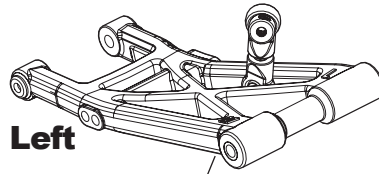


101026R
S102 Aluminum Washer 3X6X1.5mm x2



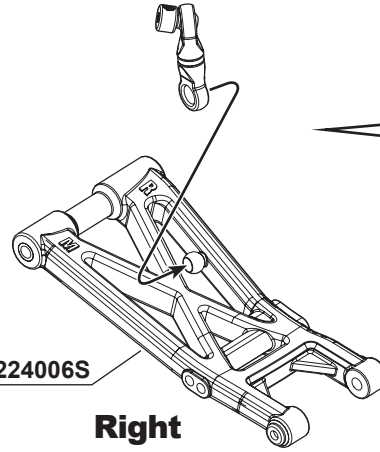
104002
M3X10mm Set Screw x2

11 Rear **← L R →** **x2**



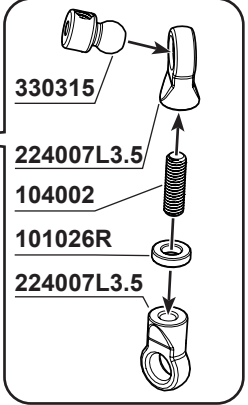
Left

224006S



Right

224006S



BAG E

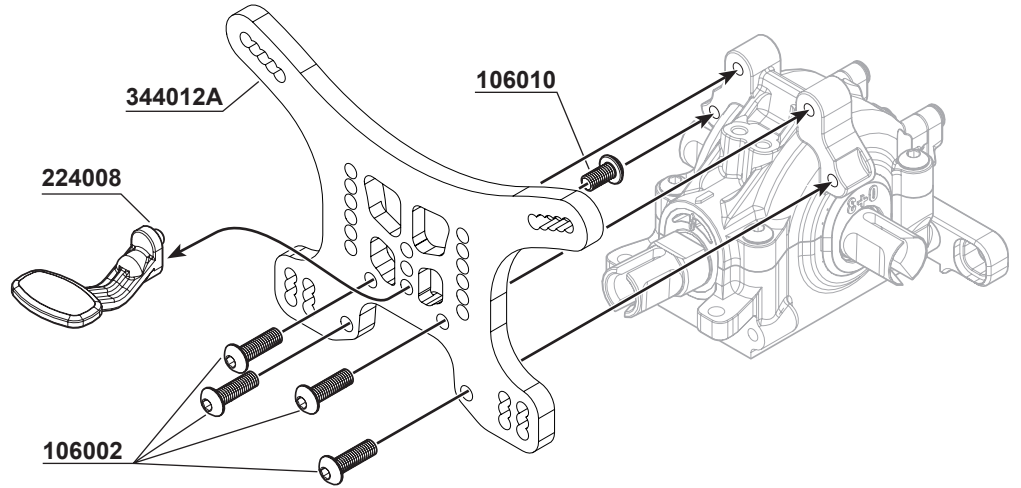
12



106010
M3x6mm Hex Socket OH/TP Screw x1



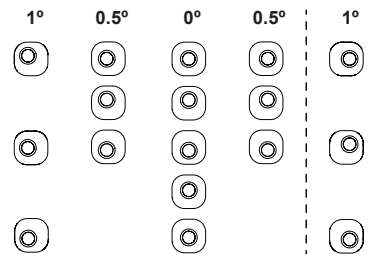
106002
M3x10mm Hex Socket OH/TP Screw x4



13

Rear Eccentric Info

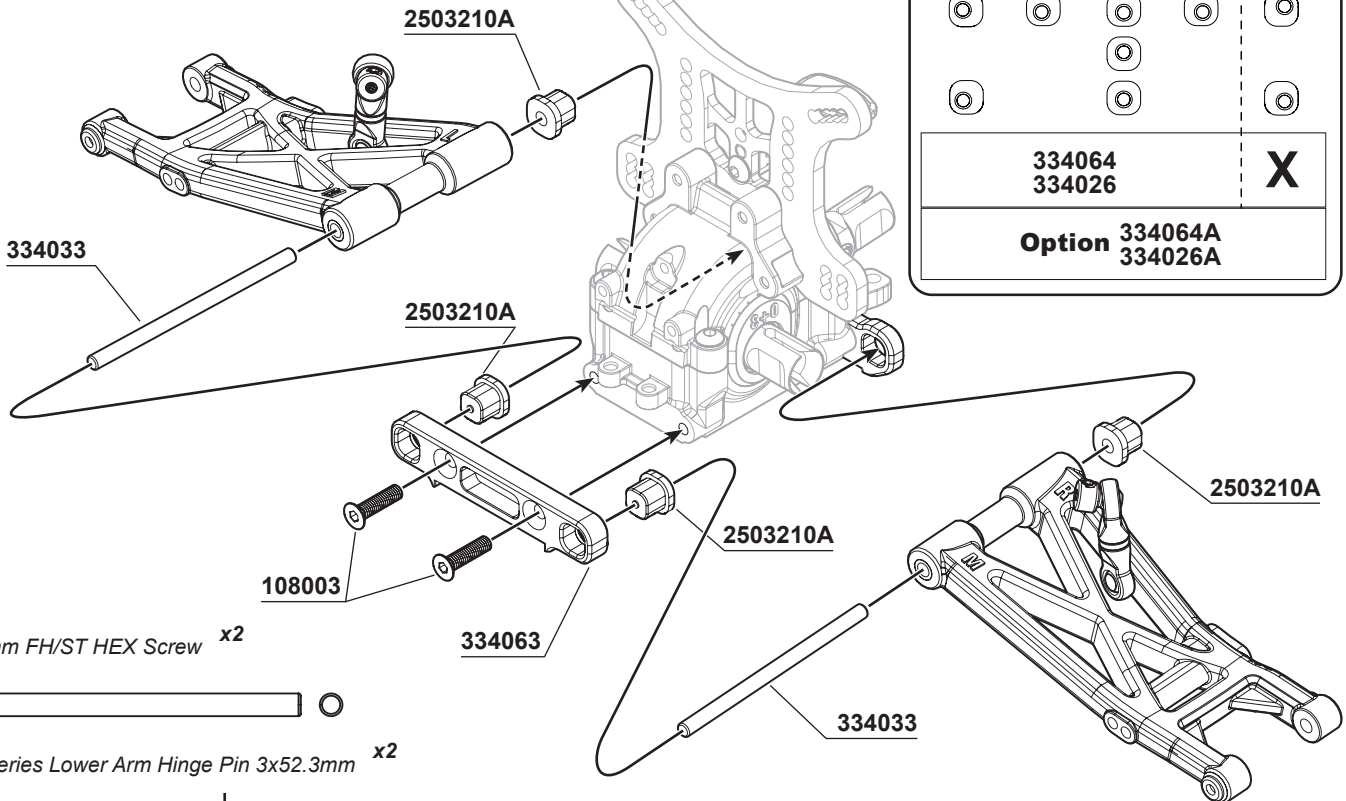
Initial Position



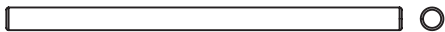
334064
334026

X

Option 334064A
334026A



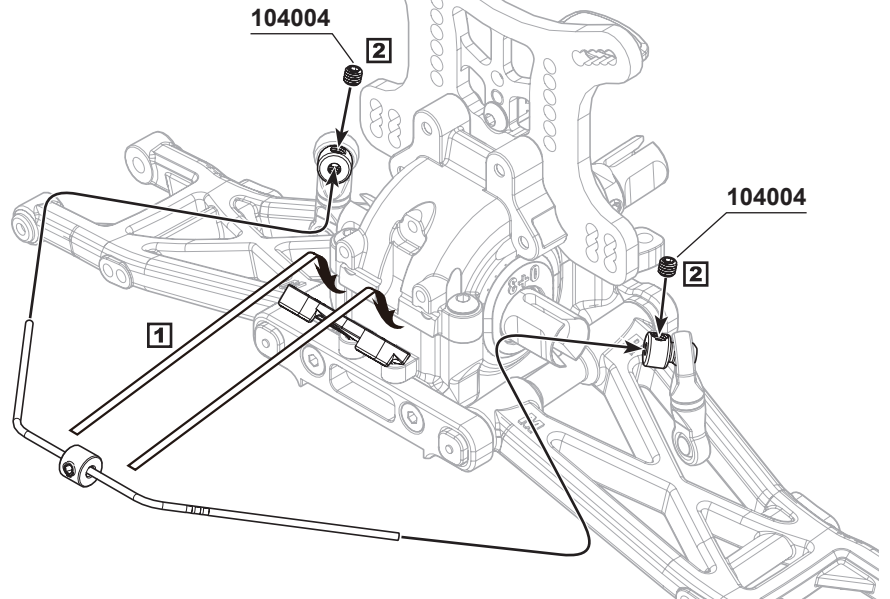
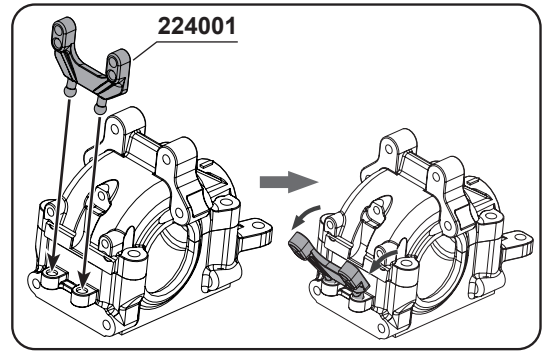
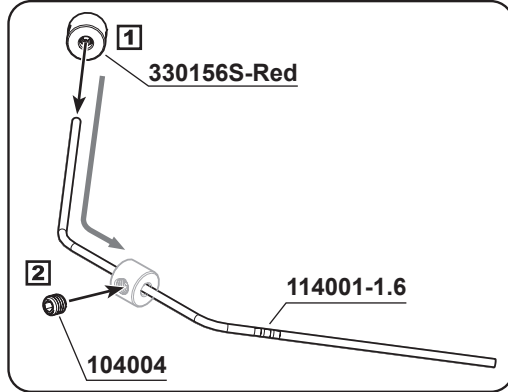
108003
M3x10mm FH/ST HEX Screw x2



334033
S14-3 Series Lower Arm Hinge Pin 3x52.3mm x2

14 1-2
3

104004
M3x3mm Set Screw x3

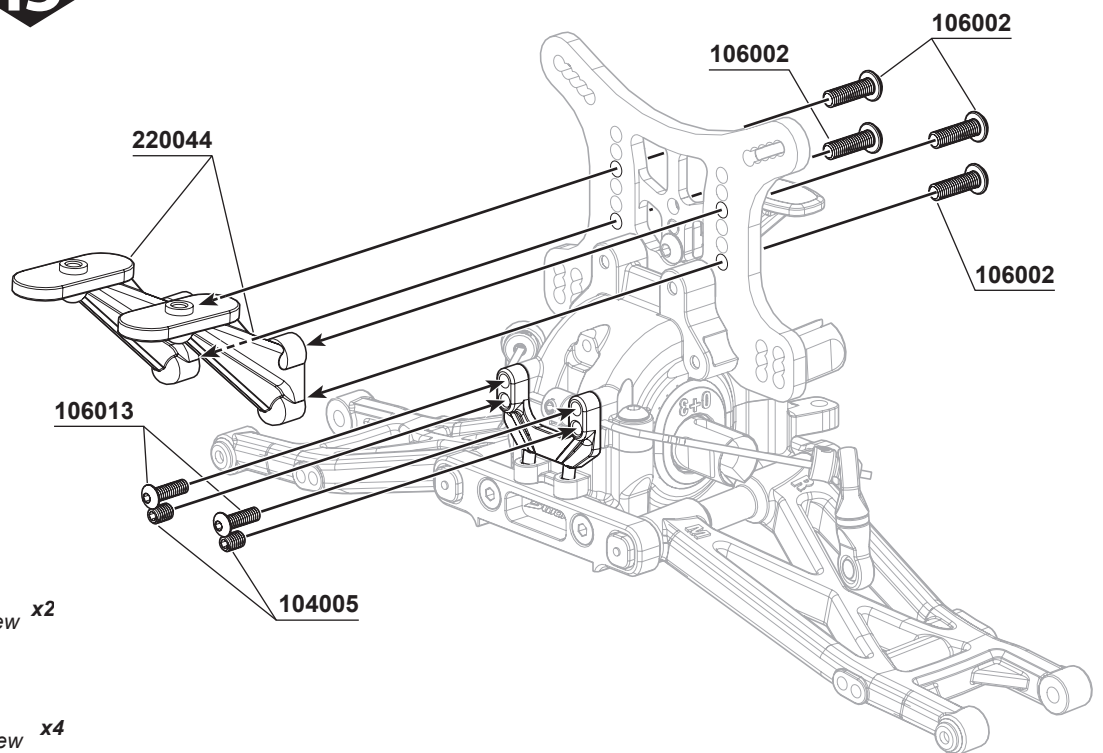


15

104005
M3x4mm Set Screw x2

106013
M2.5x8mmH ex Socket OH/TPScrew x2

106002
M3x10mm Hex Socket OH/TP Screw x4



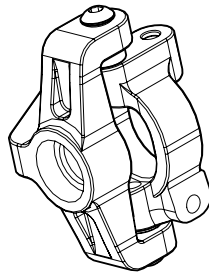


106008
M3x12mm Hex Soket OH/TP Screw x2



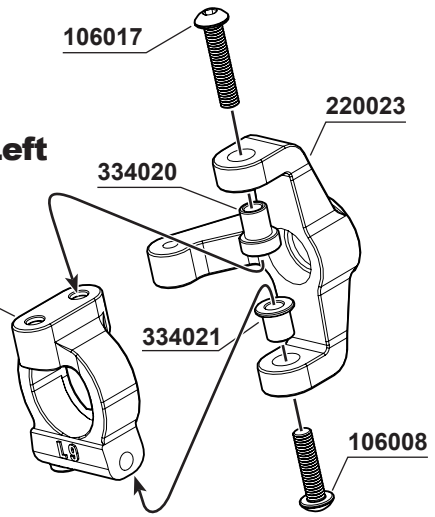
106017
M3x14mm Hex Soket OH/TP Screw x2

Right



Left

220024-9
or
220024-11



220024-9 SWORKz 1/10 S14-3 Front C Hub Set (9 Degree)
220024-11 SWORKz 1/10 S143C Front C Hub Set (11 Degree)



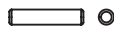
116010R
Ball Bearing 5x10x4mm (Red Rubber Case) x2



116016R
Ball Bearing 5x11x4mm (Red Rubber Case) x2



106014
M2.0x6mm Hex Socket OH/TP Screw x2



330283
S104 Pin M2.0x10mm x2

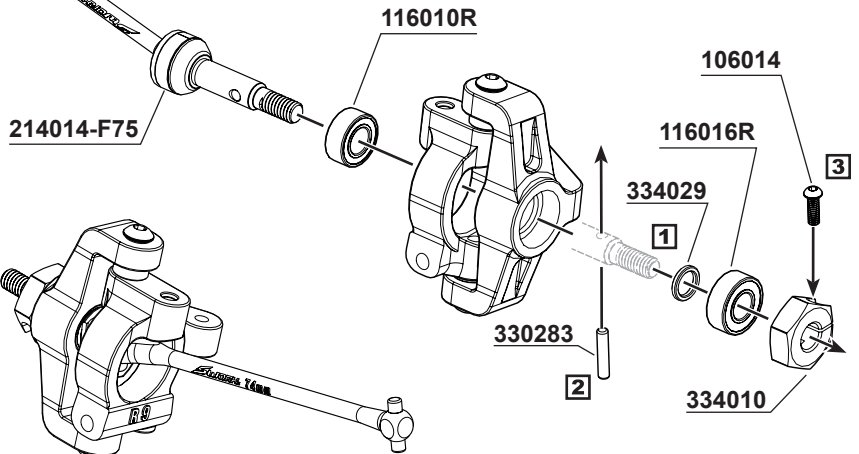


334029
S14-3 Wheel Hub Ball Bearing Stopper 5x7x1mm x2



214014-F75
S14-4 Axle Universal Cross Drive Shaft Set 75mm x2

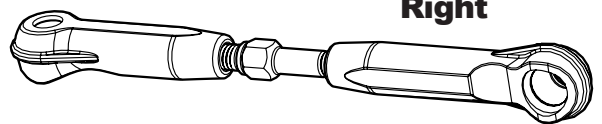
Left



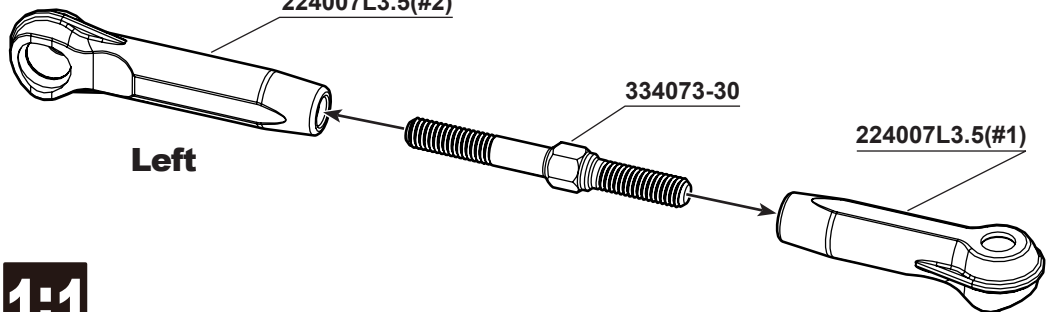
Right



334073-30
Steering Servo Turnbuckle x2

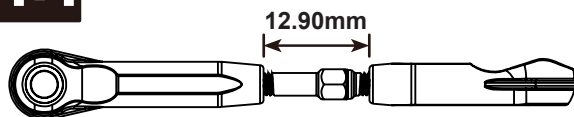


Right



Left

1:1



104005
M3x4mm Set Screw x2

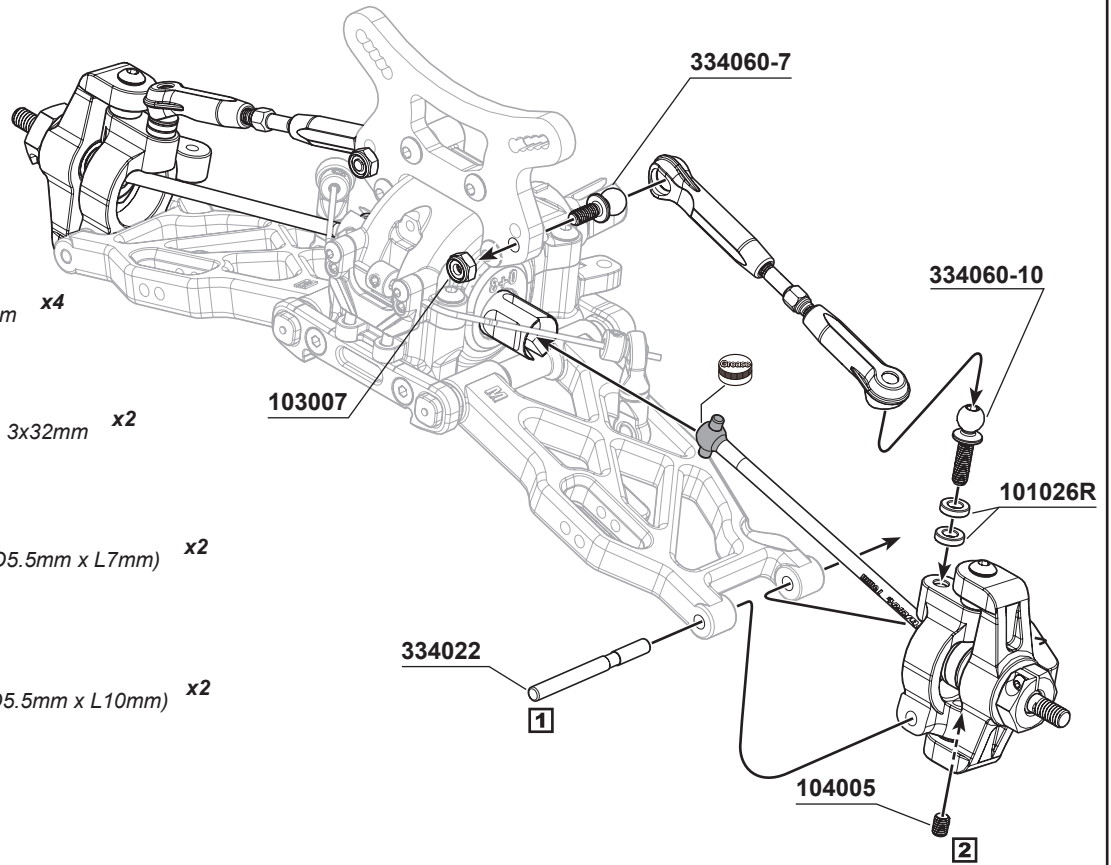
103007
M3mm Nut Lock Thim (BK) x2

101026R
S102 Aluminum Washer 3X6X1.5mm x4

334022
S14-3 Series Lower Arm Hinge Pin 3x32mm x2

334060-7
SWORKz 1/10 Linkage Ball Stud D5.5mm x L7mm) x2

334060-10
SWORKz 1/10 Linkage Ball Stud D5.5mm x L10mm) x2



106001
M3x8mm Hex Socket OH/TP Screw x4

330283
S104 Pin M2.0x10mm x2

116010R
Ball Bearing 5x10x4mm (Red Rubber Case) x2

116016R
Ball Bearing 5x11x4mm (Red Rubber Case) x2

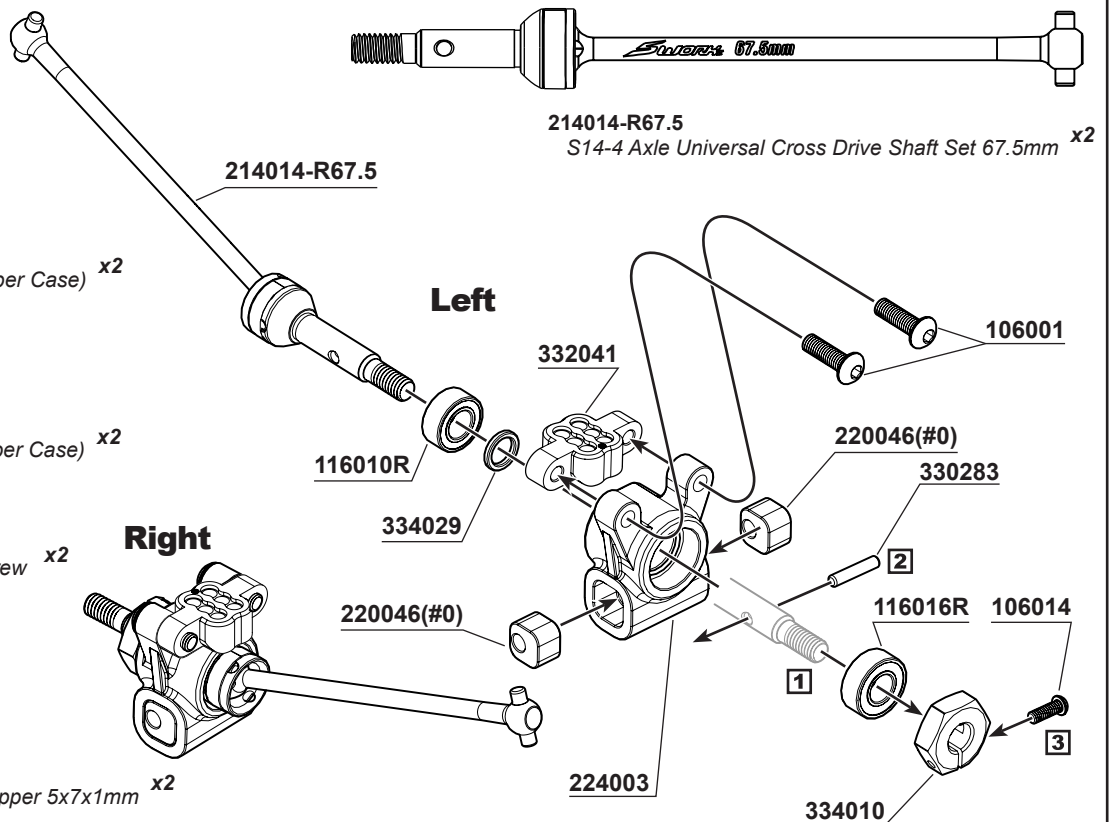
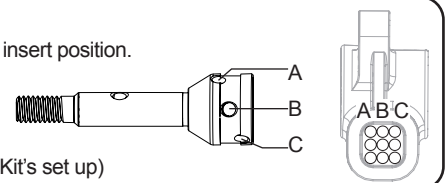
106014
M2.0x6mm Hex Socket OH/TP Screw x2

334029
S14-3 Wheel Hub Ball Bearing Stopper 5x7x1mm x2

Assembly Note:

Axle's position must be fit insert position.

Axle's A – Insert's A line
Axle's B – Insert's B line
Axle's C – Insert's C line (Kit's set up)



BAG F

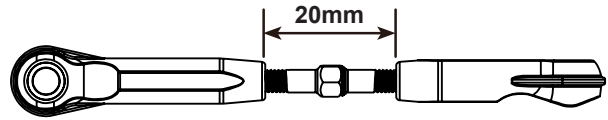
21



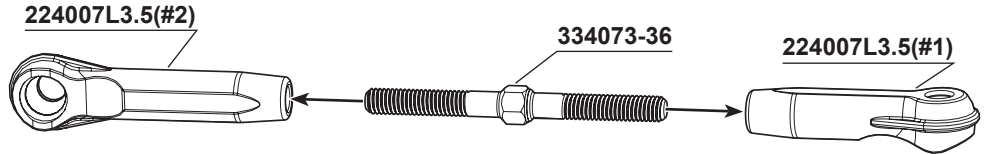
x2



334073-36
Rear Upper Sus. Arm Turnbuckles x2



1:1



106020
M2.5x5mm Hex Socket OH/TP Screw x2

22



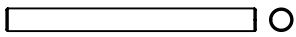
x2



103007
M3mm Nut Lock Thim (BK) x2



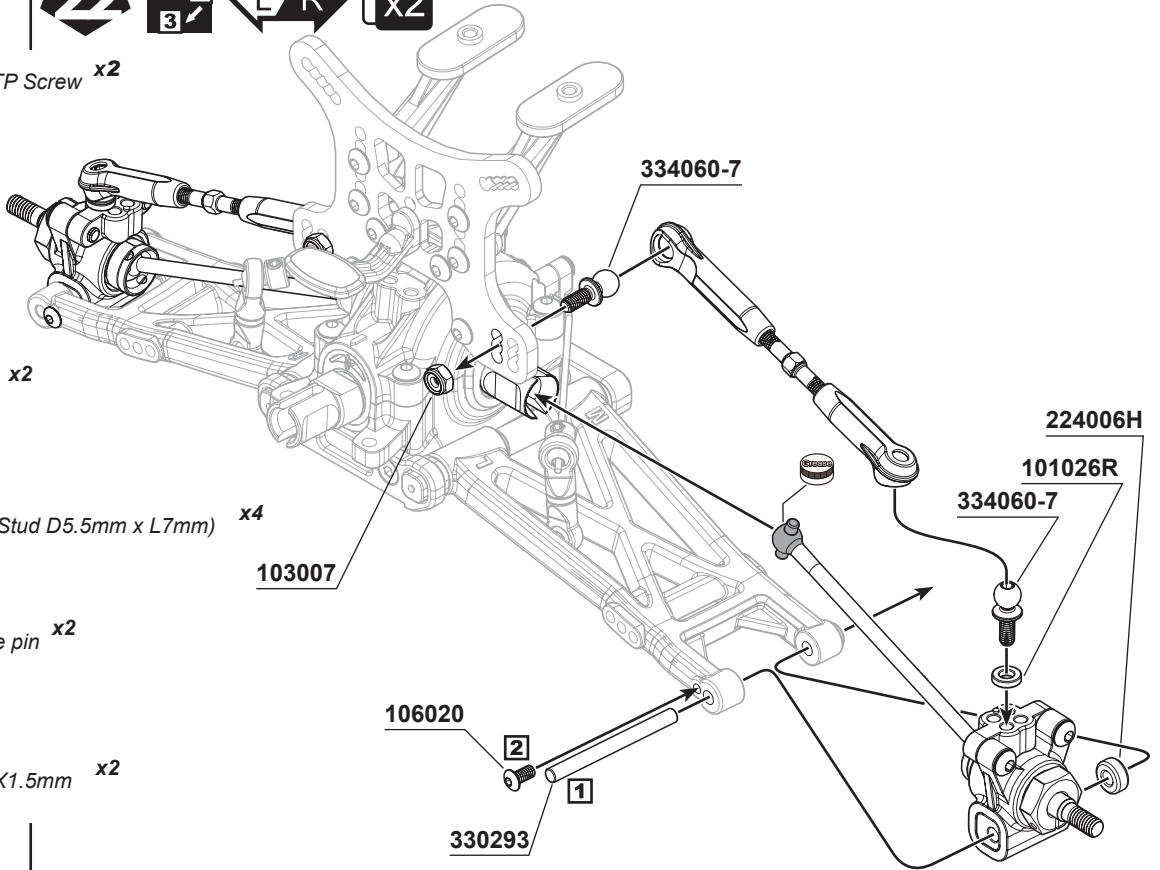
334060-7
SWORKz 1/10 Linkage Ball Stud D5.5mm x L7mm x4



330293
S104 Rear Hub Carrier Hinge pin x2



101026R
S102 Aluminum Washer 3X6X1.5mm x2



BAG G

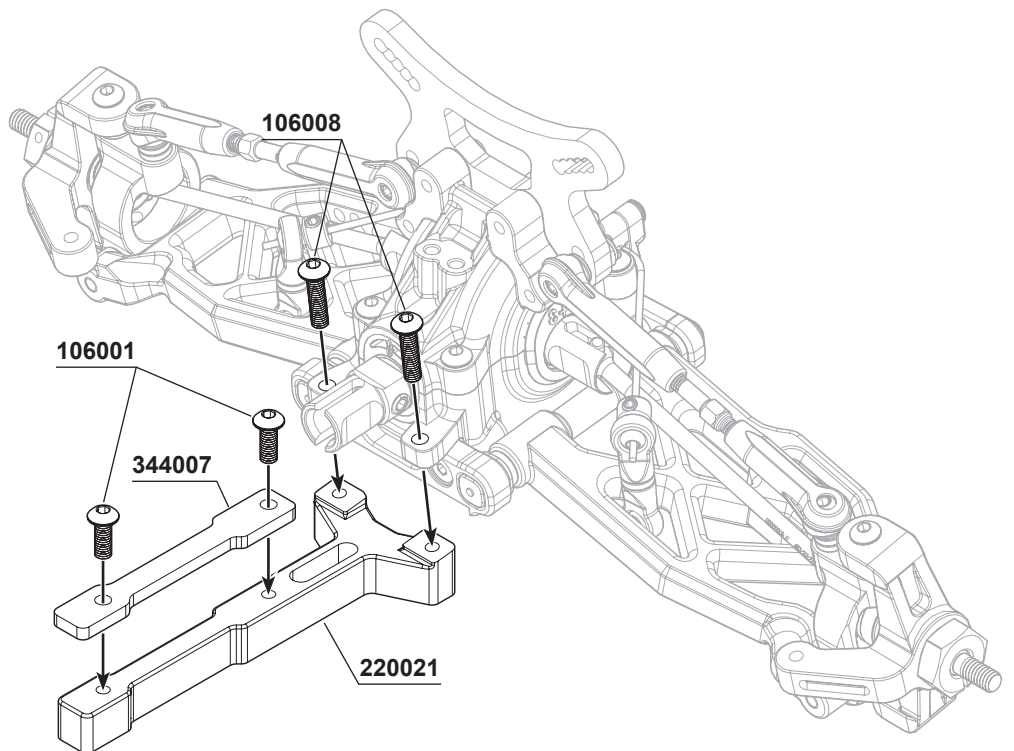
23



106001
M3x8mm Hex Socket OH/TP Screw x2



106008
M3x12mm Hex Socket OH/TP Screw x2



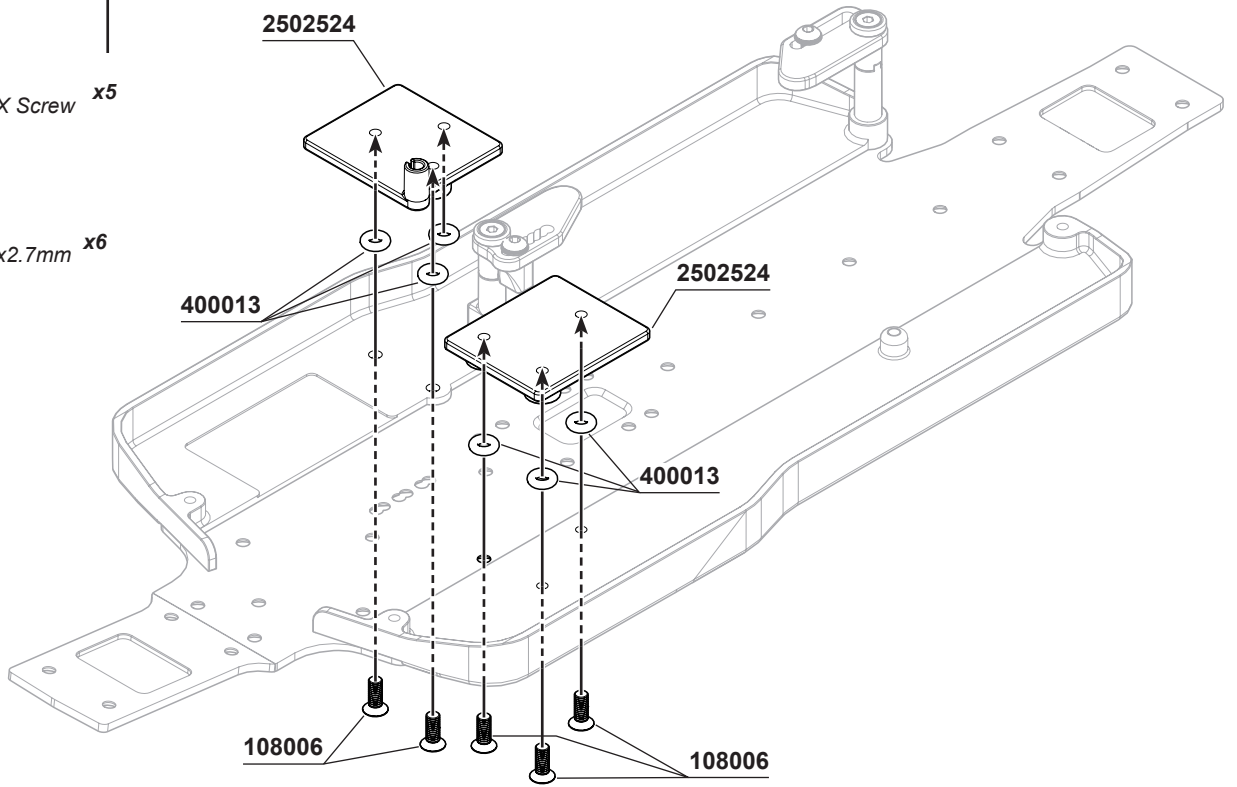
26



108006
M3x8mm FH/ST HEX Screw x5



400013
Shock Seal O-ring 2x2.7mm x6



BAG H

27



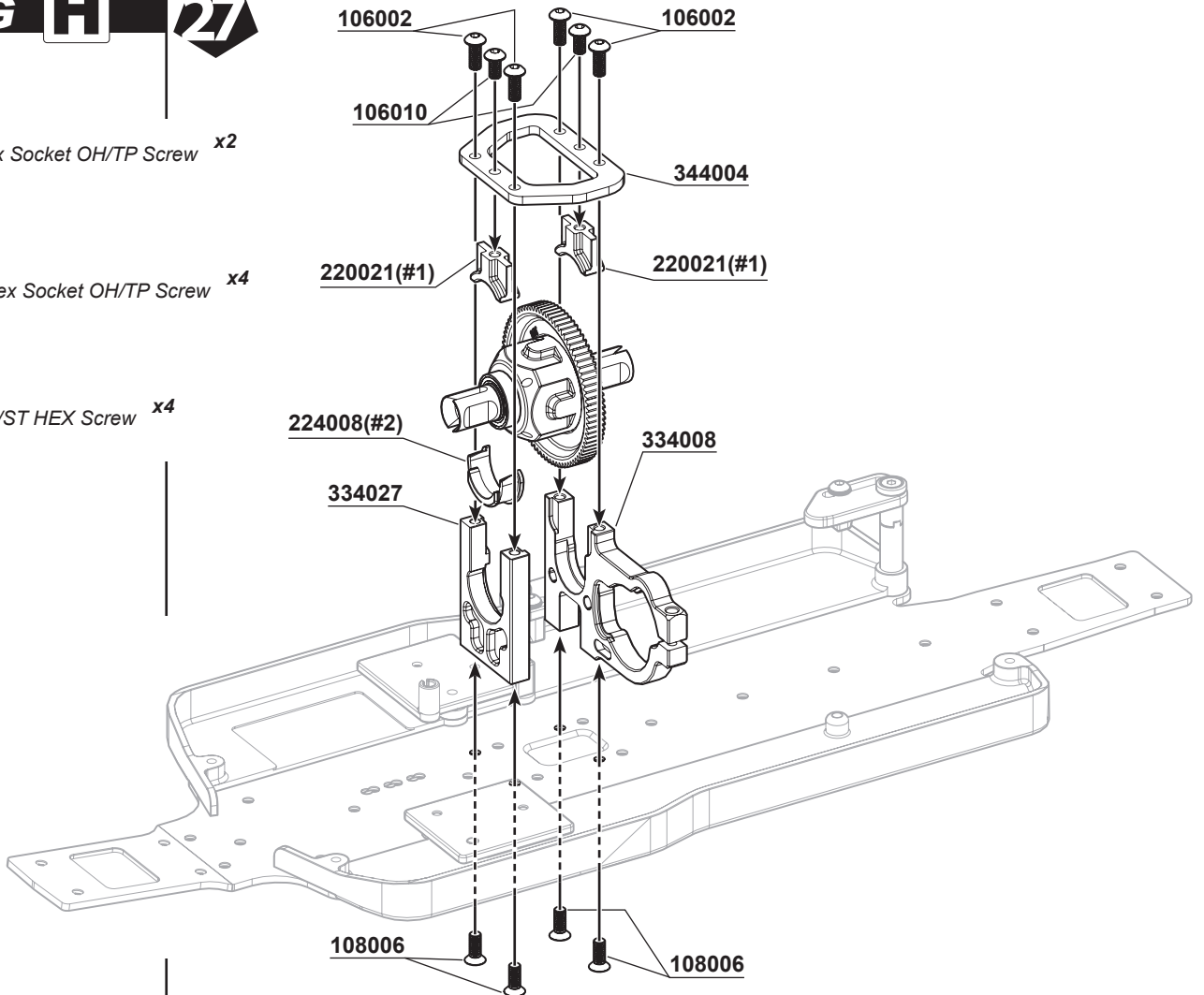
106010
M3x6mm Hex Socket OH/TP Screw x2



106002
M3x10mm Hex Socket OH/TP Screw x4



108006
M3x8mm FH/ST HEX Screw x4



28



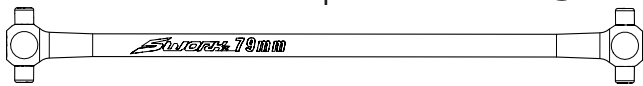
108006
M3x8mm FH/ST HEX Screw x7



108003
M3x10mm FH/ST HEX Screw x4

2502524

108003



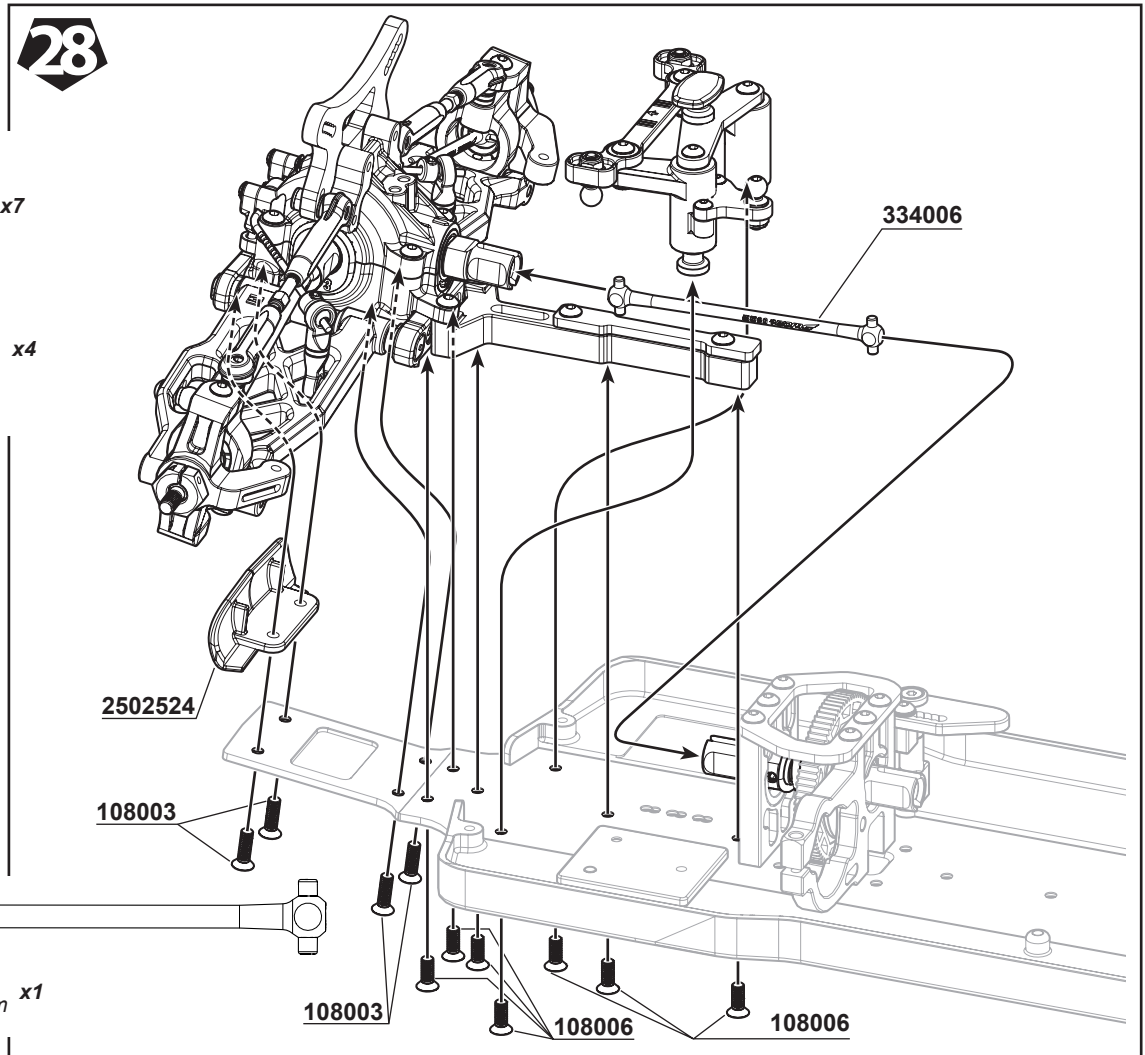
334006
S14-3 Center Drive Shaft 79mm x1

108003

108006

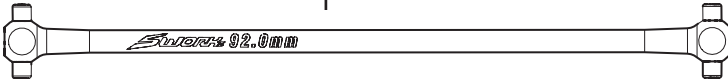
108006

334006



BAG H

29



334048-1095
S14-3 Center Drive Shaft 92mm x1



106001
M3x8mm Hex Socket OH/TP Screw x3



106008
M3x12mm Hex Somet OH/TP Screw x2



108006
M3x8mm FH/ST HEX Screw x4



108003
M3x10mm FH/ST HEX Screw x4

106008

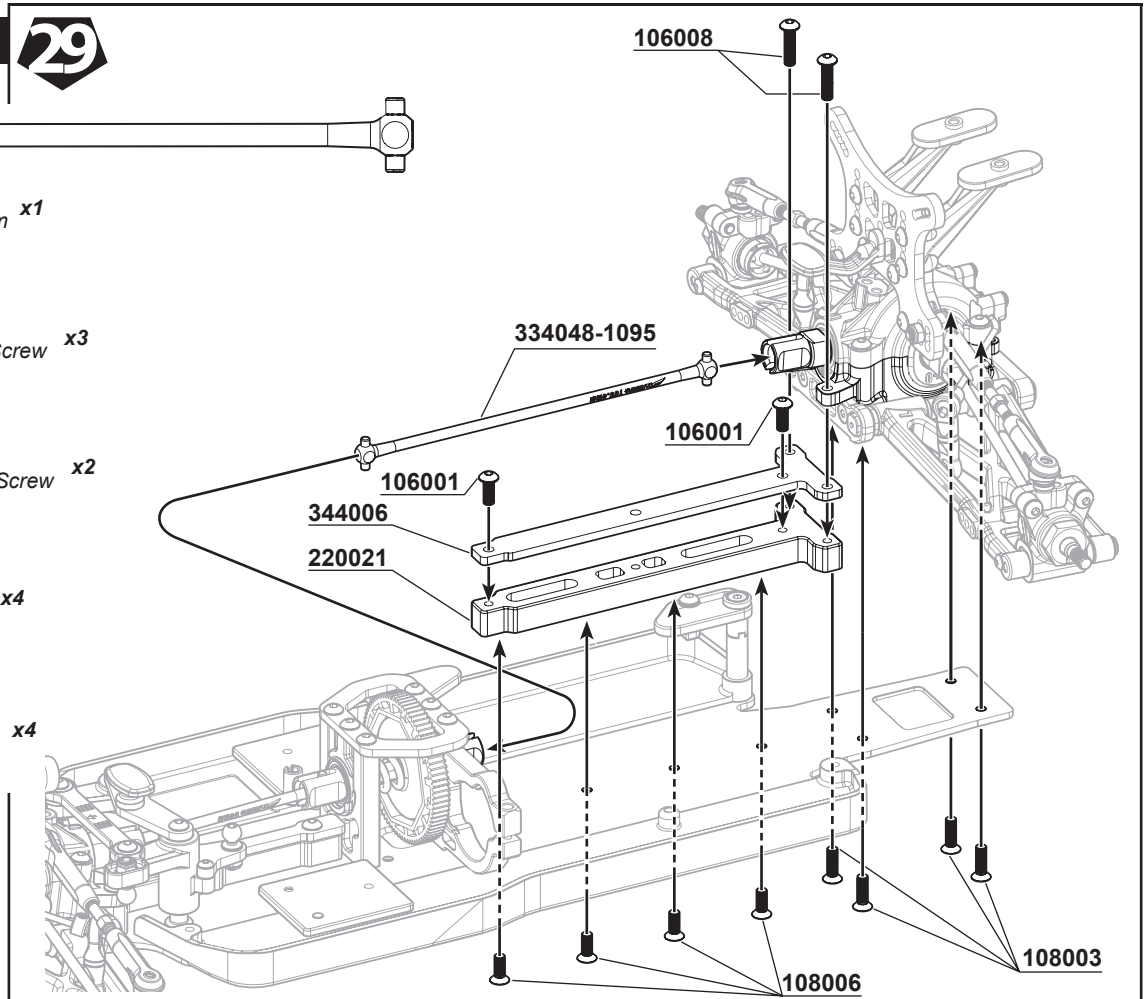
334048-1095

106001

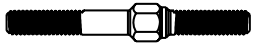
106001

344006

220021



30  



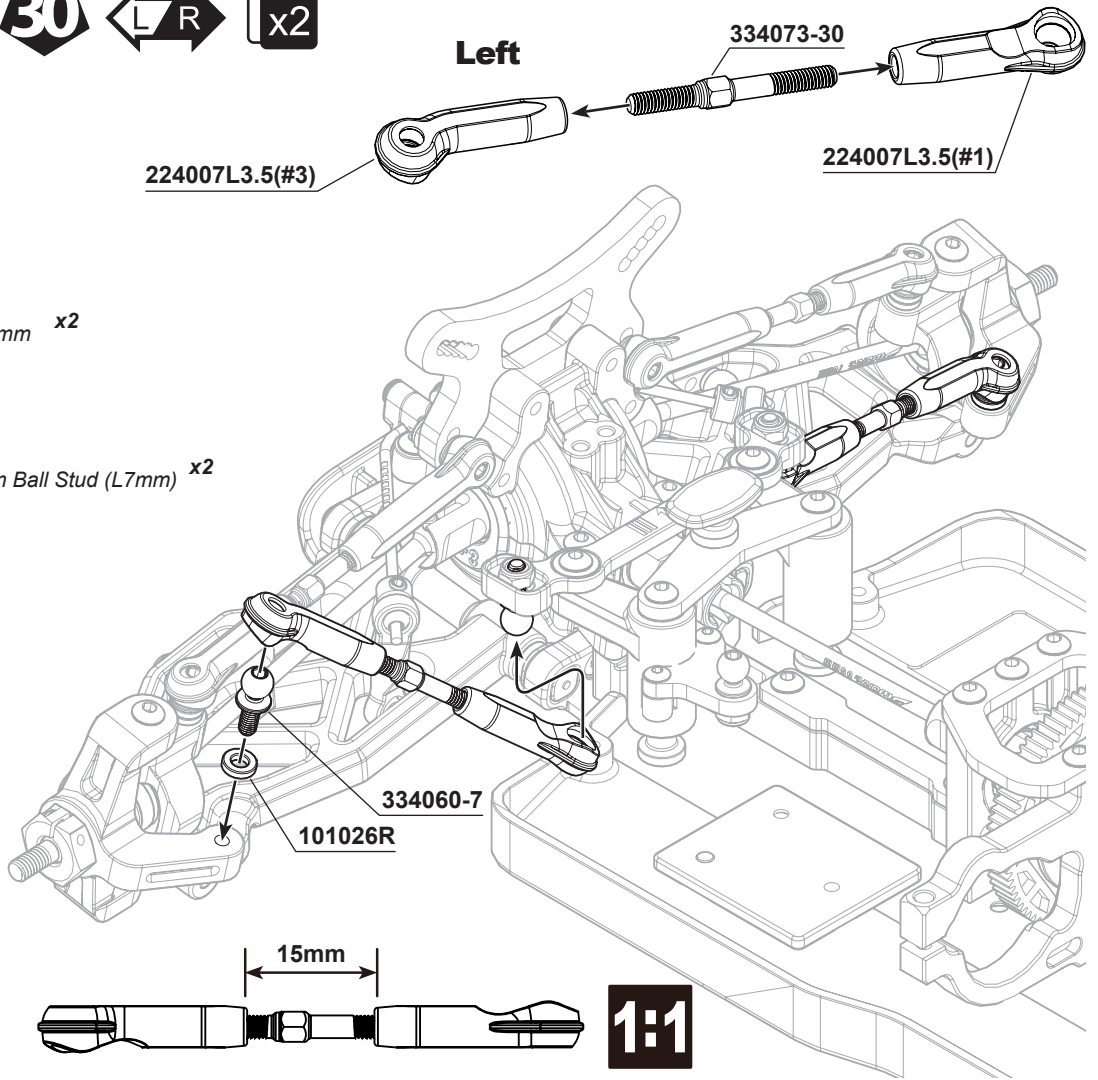
334073-30
Steering Servo Turnbuckle x2



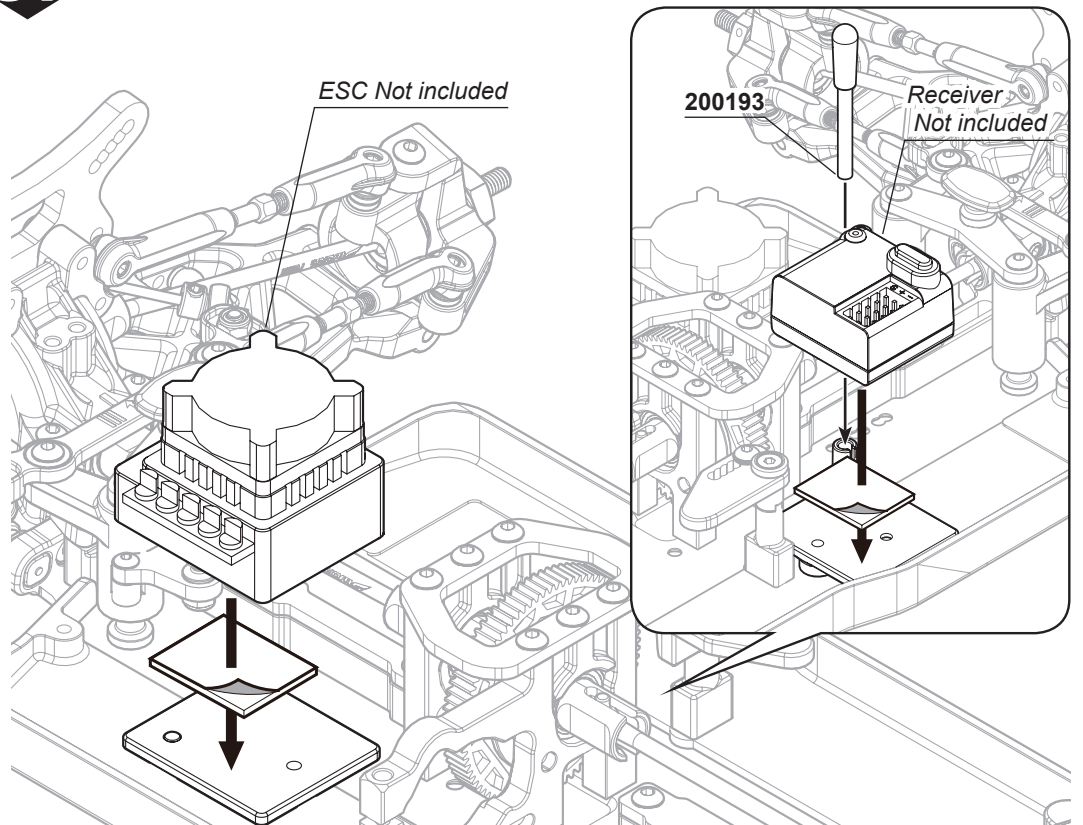
101026R
S102 Aluminum Washer 3X6X1.5mm x2



334060-7
S104 EVO Steering Linkage 5mm Ball Stud (L7mm) x2



31



BAG H

32

1 2
3



104004
M3x3mm Set Screw x1



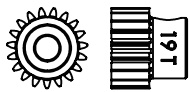
106002
M3x10mm Hex Socket OH/TP Screw x3



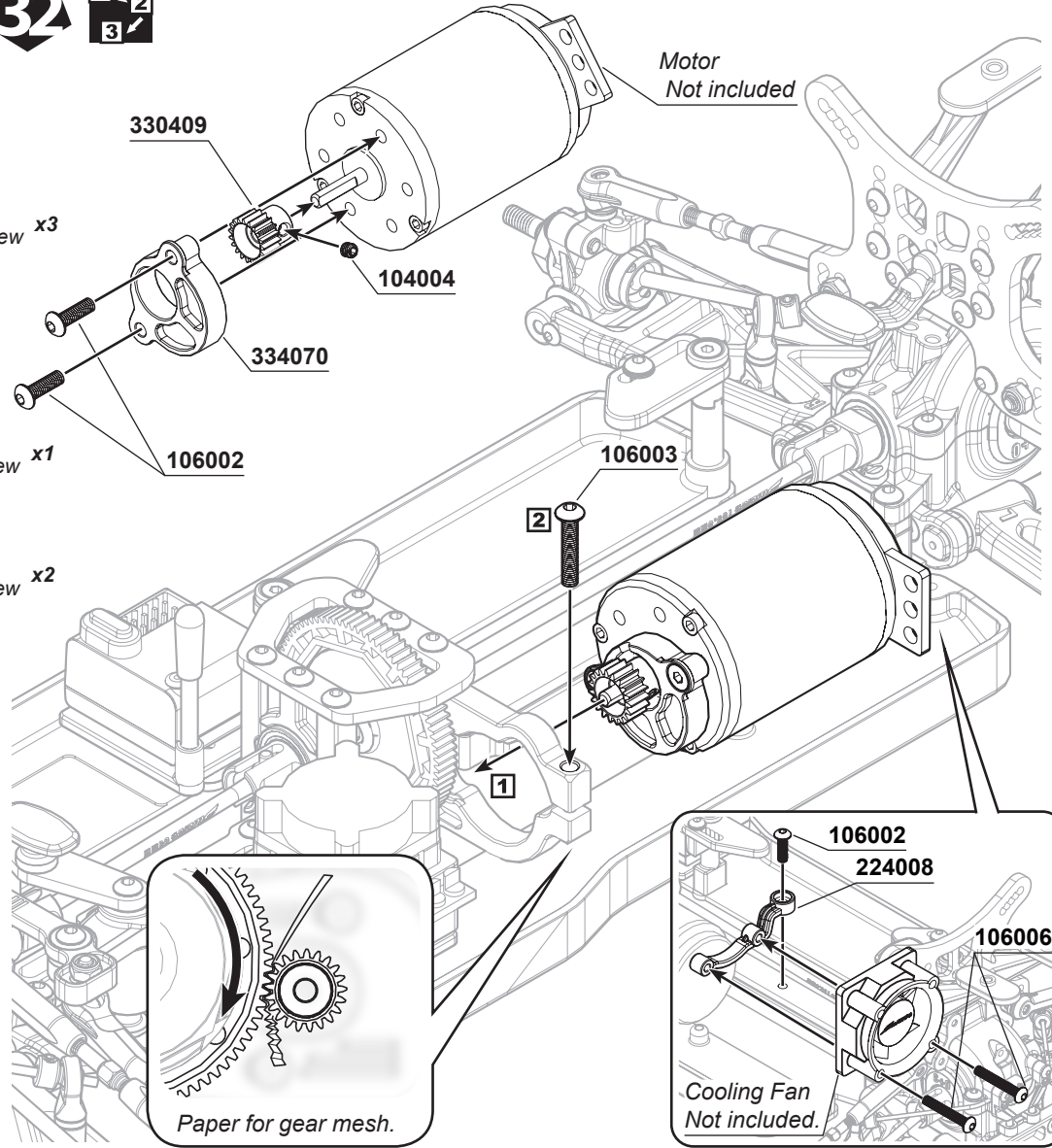
106003
M3x16mm Hex Socket OH/TP Screw x1



106006
M3x20mm Hex Socket OH/TP Screw x2



330409
S104 Motor Gear 19T x1



BAG I

33

1:1



106001
M3x8mm Hex Socket OH/TP Screw x4



106010
M3x6mm Hex Socket OH/TP Screw x2



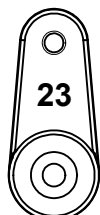
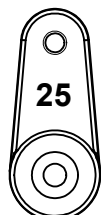
108006
M3x8mm FH/ST HEX Screw x2



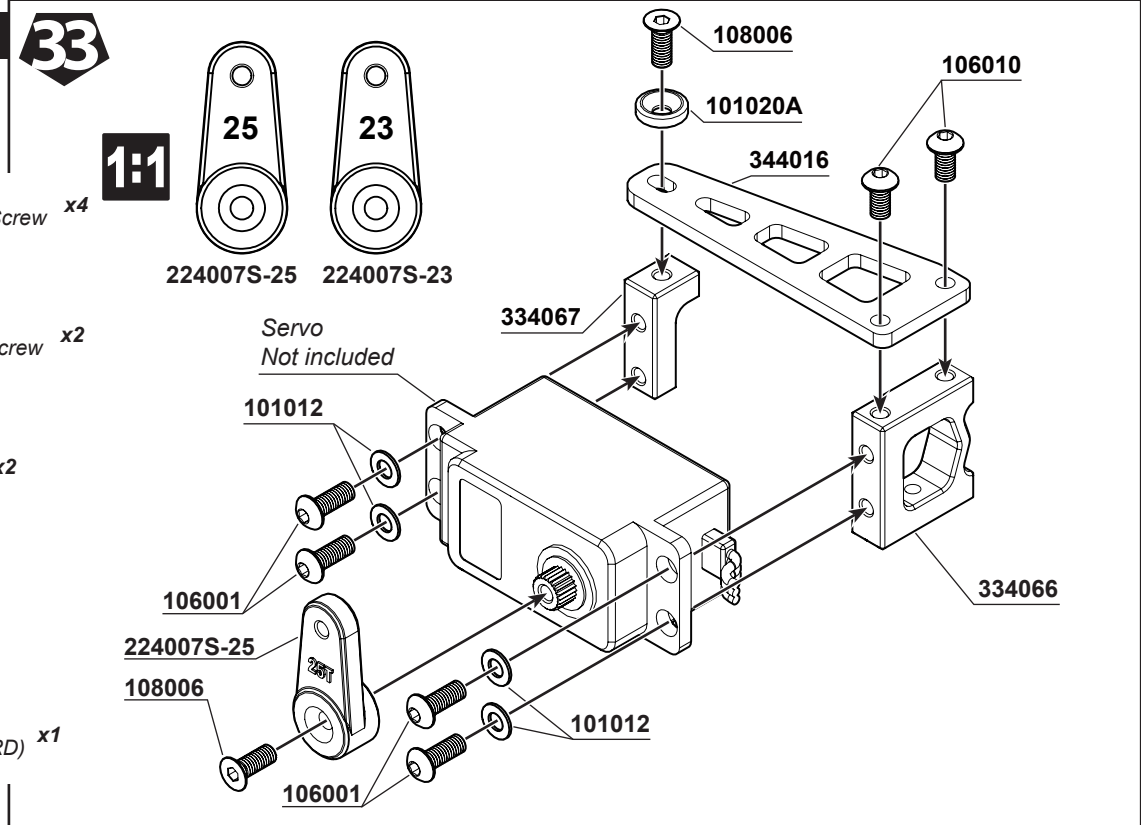
101012
Washer M3x6xT0.5mm x4



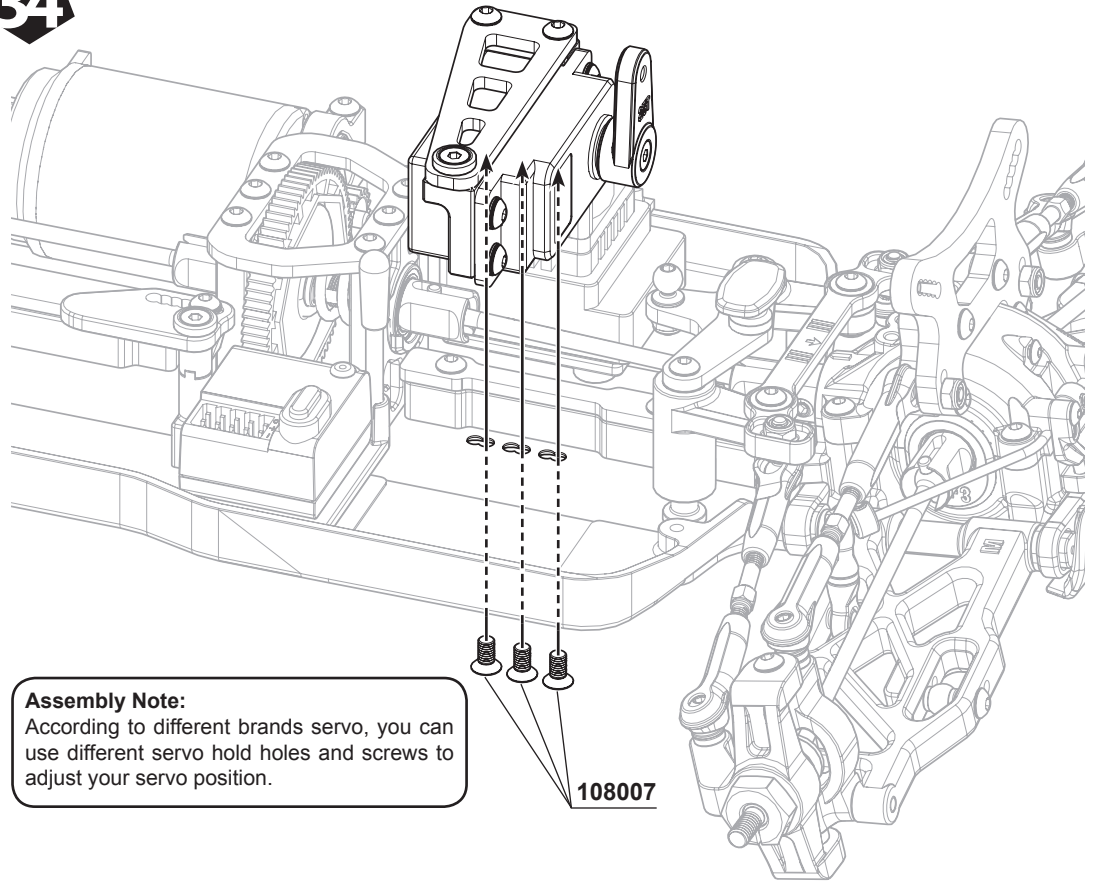
101020A
3mm Countersunk Washers (RD) x1



224007S-25 224007S-23





34

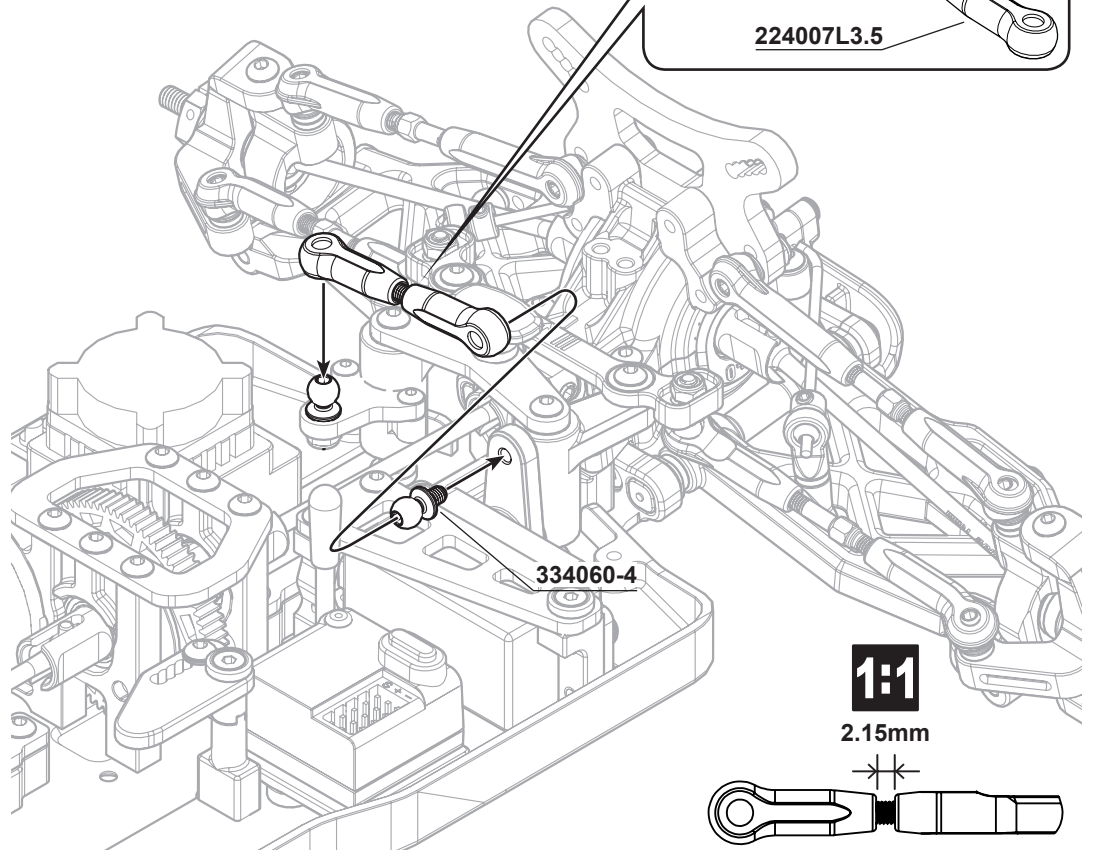
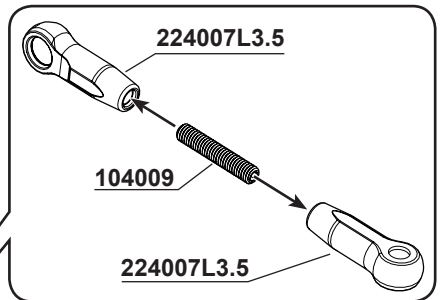


Assembly Note:
According to different brands servo, you can use different servo hold holes and screws to adjust your servo position.


108007
M3x6mm FH/ST HEX Screw x3


334060-4
Steering Linkage Ball Stud 5mm x1


104009
M3x16mm Set Screw x1



101011
Shock Washer 2.6x6x0.5mm x4

220049-5
Shock seal washer 3.0x6.5x2.0mm x8

400025
Shock Seal O-ring 2x2.7mm (M) x8

332038-SR
Shock Shaft L x2

332038-SF
Shock Shaft S x2

400014
O-Ring 1.5x13.5mm x4

410049
Shock Seal Cap O-ring 8x10x1mm x4

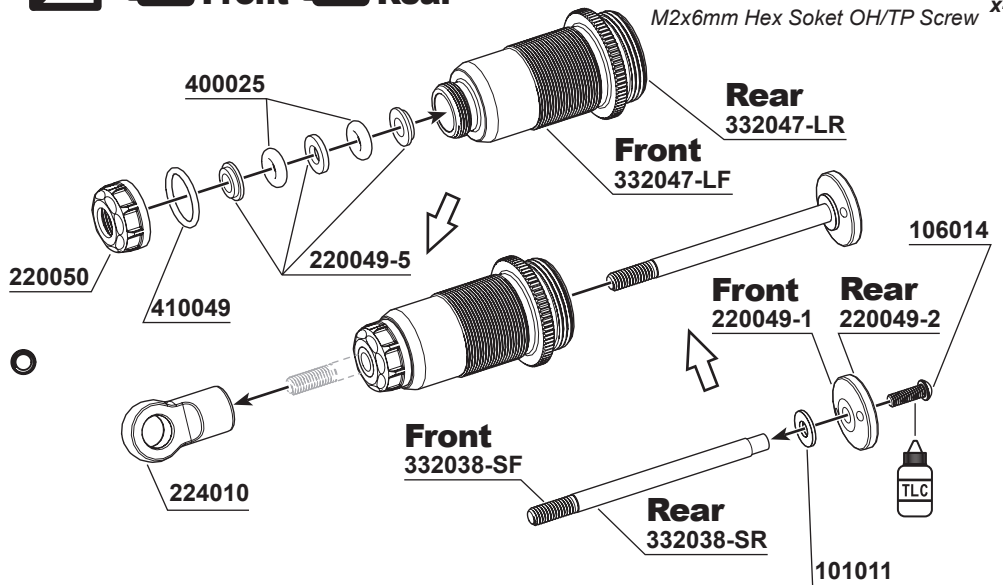
410047
S102 Shock Cap O-Ring (SP) x4

220049-5
Shock seal washer 3.0x6.5x0.7mm x4

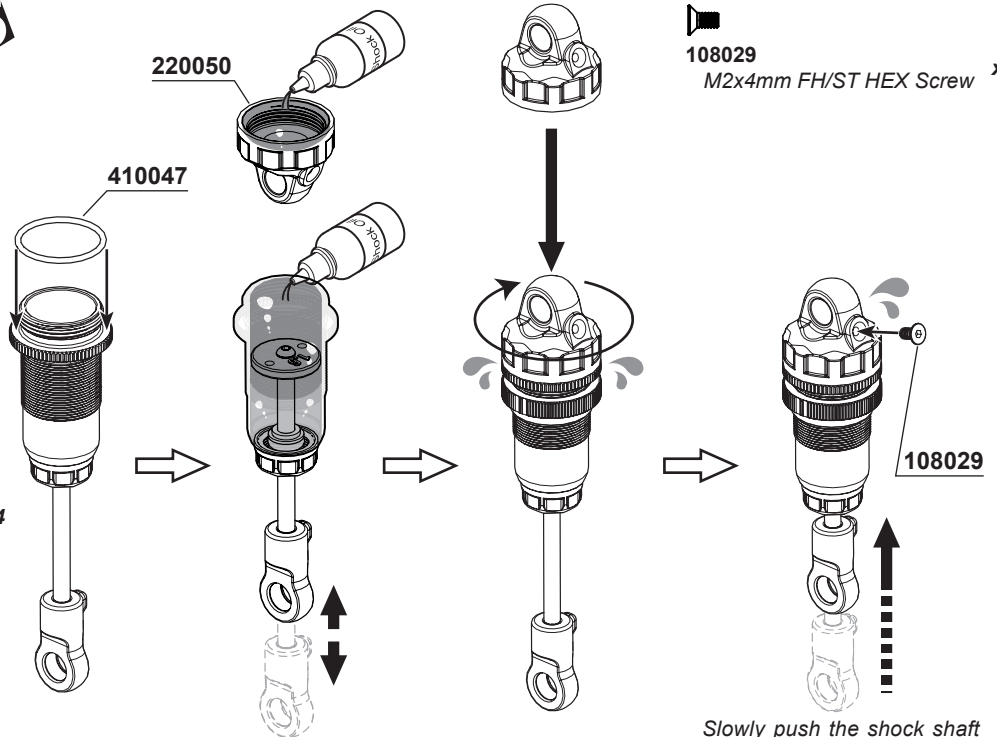
220049-1
Shock Piston 1.5mmx2 holes x2

220049-2
Shock Piston 1.5mmx2 holes x2

106014
M2x6mm Hex Soket OH/TP Screw x4



108029
M2x4mm FH/ST HEX Screw x4

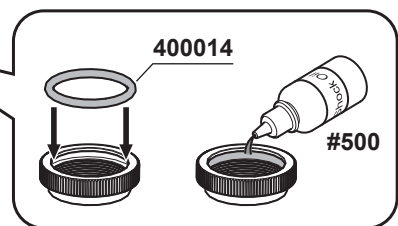
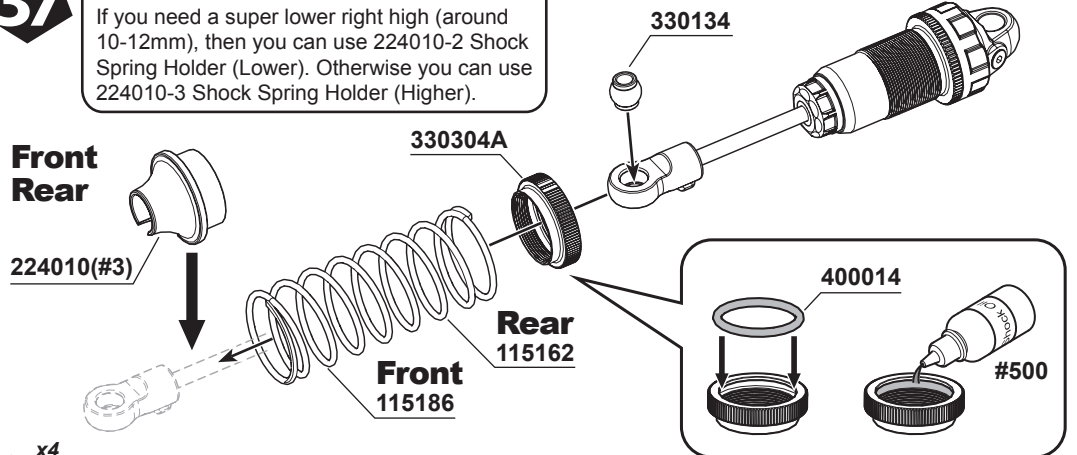


Slowly push the shock shaft to the end of shock cap. Then tight screw M2x4mm

PRO TIP:
If you need a super lower right high (around 10-12mm), then you can use 224010-2 Shock Spring Holder (Lower). Otherwise you can use 224010-3 Shock Spring Holder (Higher).

330134
Shock Ball Stud x4

330304A
Aluminum Shock Spring Adjust Nut x4



38



x2

For Front

x2

For Rear



108001
M3x12mm FH/ST HEX Screw

x4



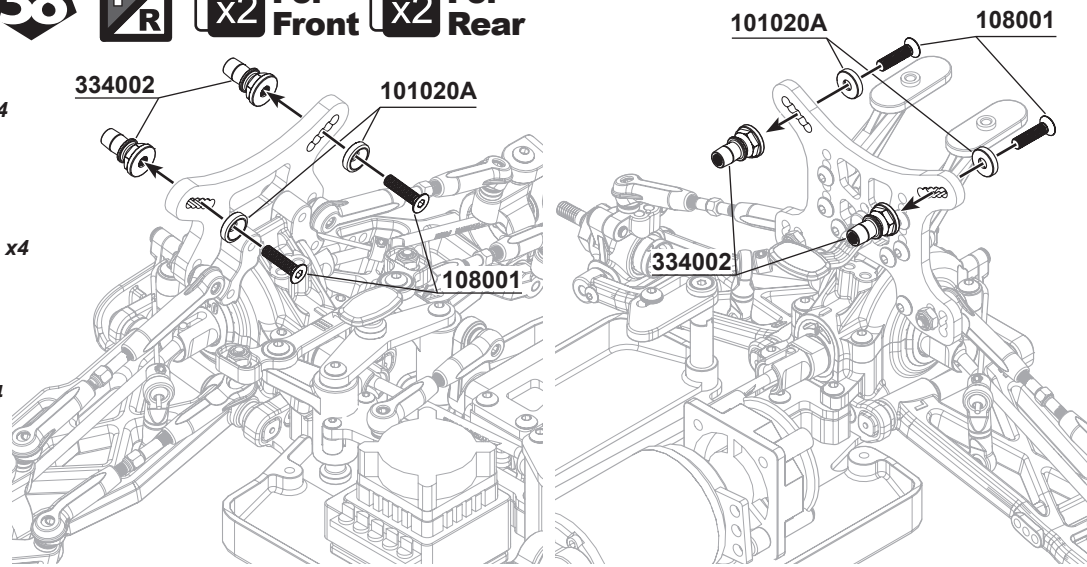
101020A
3mm Countersunk Washers (RD)

x4



334002
S14-3 Aluminum Shock Stud

x4



39



x2

For Front

x2

For Rear



105021
M3x6mm Taper head screw

x4



106005
M3x15mm Hex Somet OH/TP Screw

x2



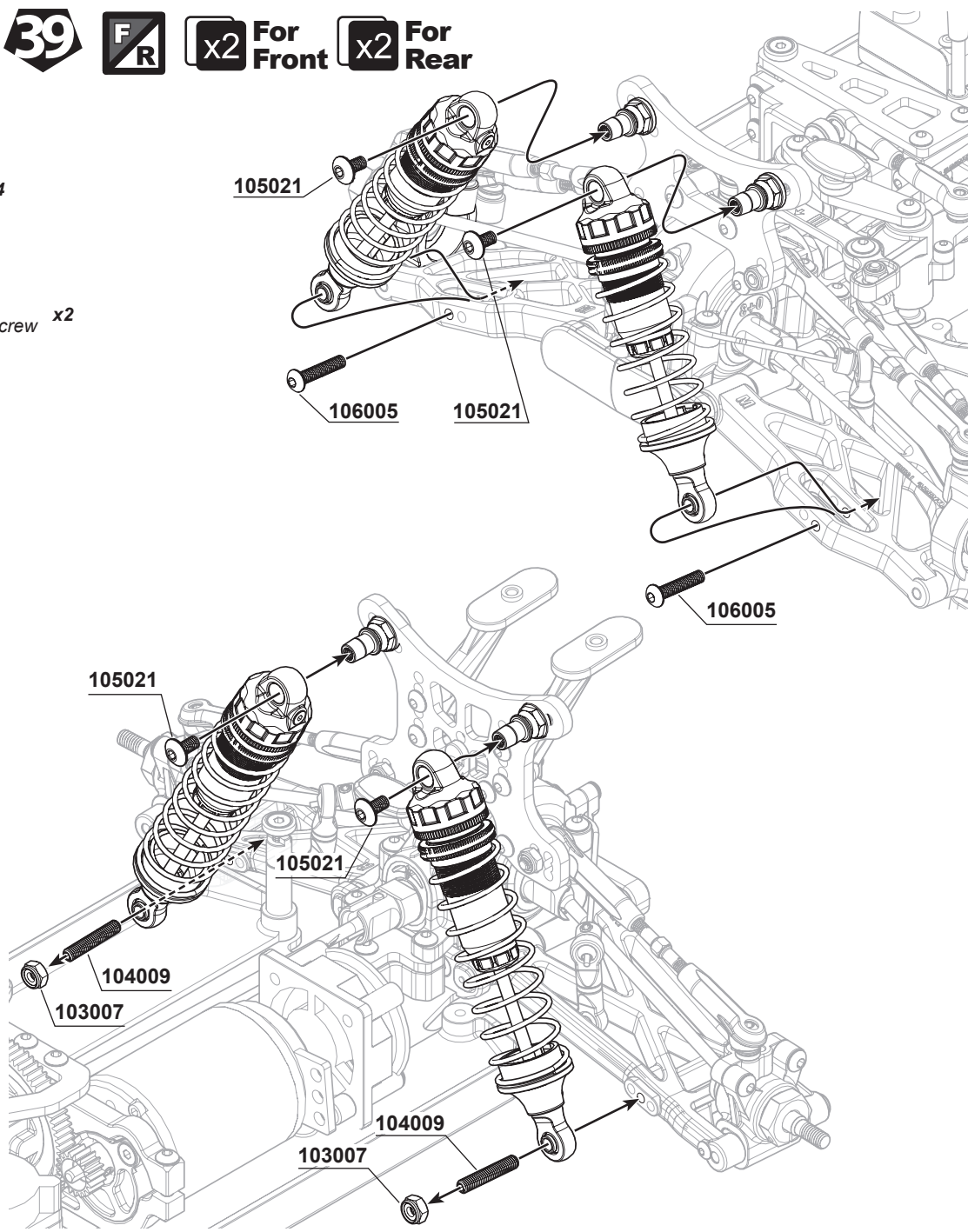
103007
M3mm Nut Lock

x2



104009
M3x16mm Set Screw

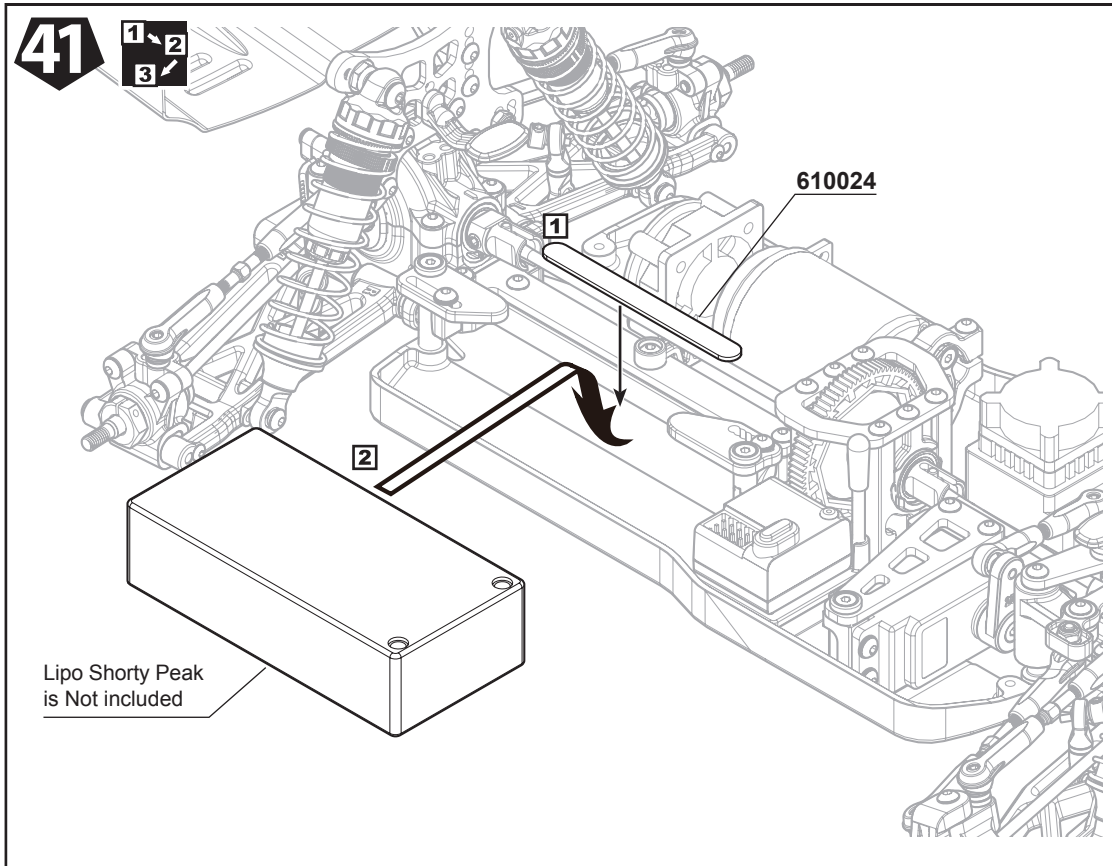
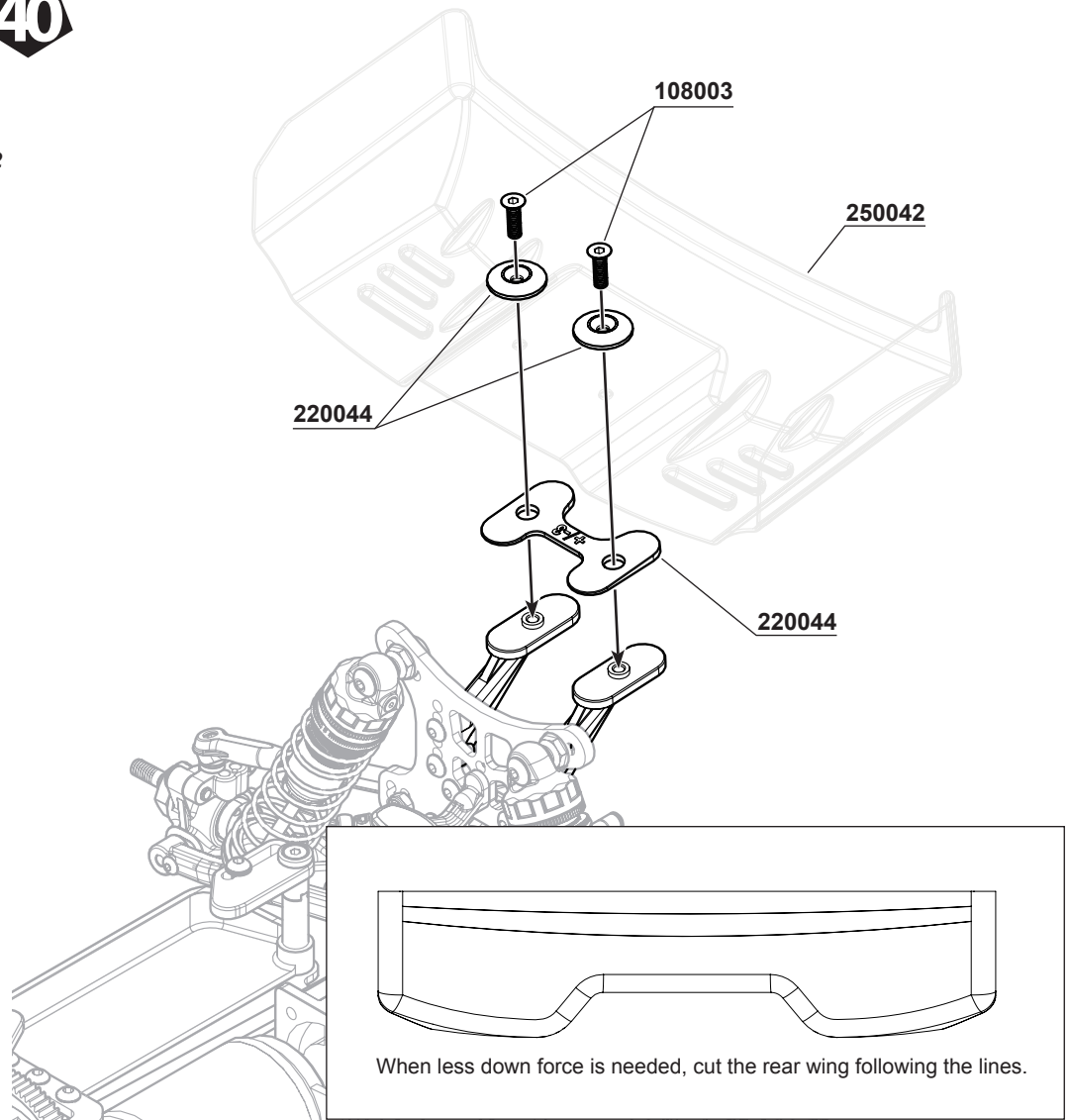
x2





108003
M3x10mm FH/ST HEX Screw

x2



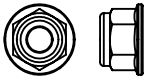
BAG K

42

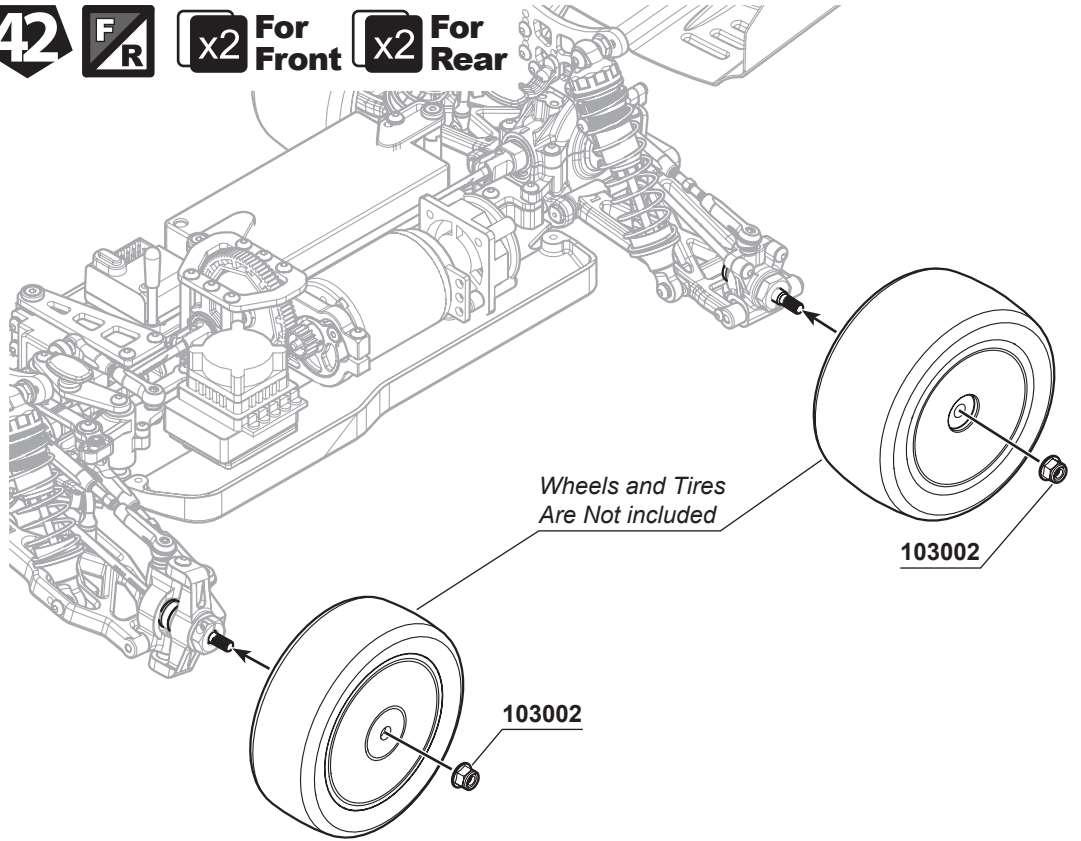
F R

x2 For Front

x2 For Rear



103002
Flange M4 Nut Lock x4



Wheels and Tires
Are Not included

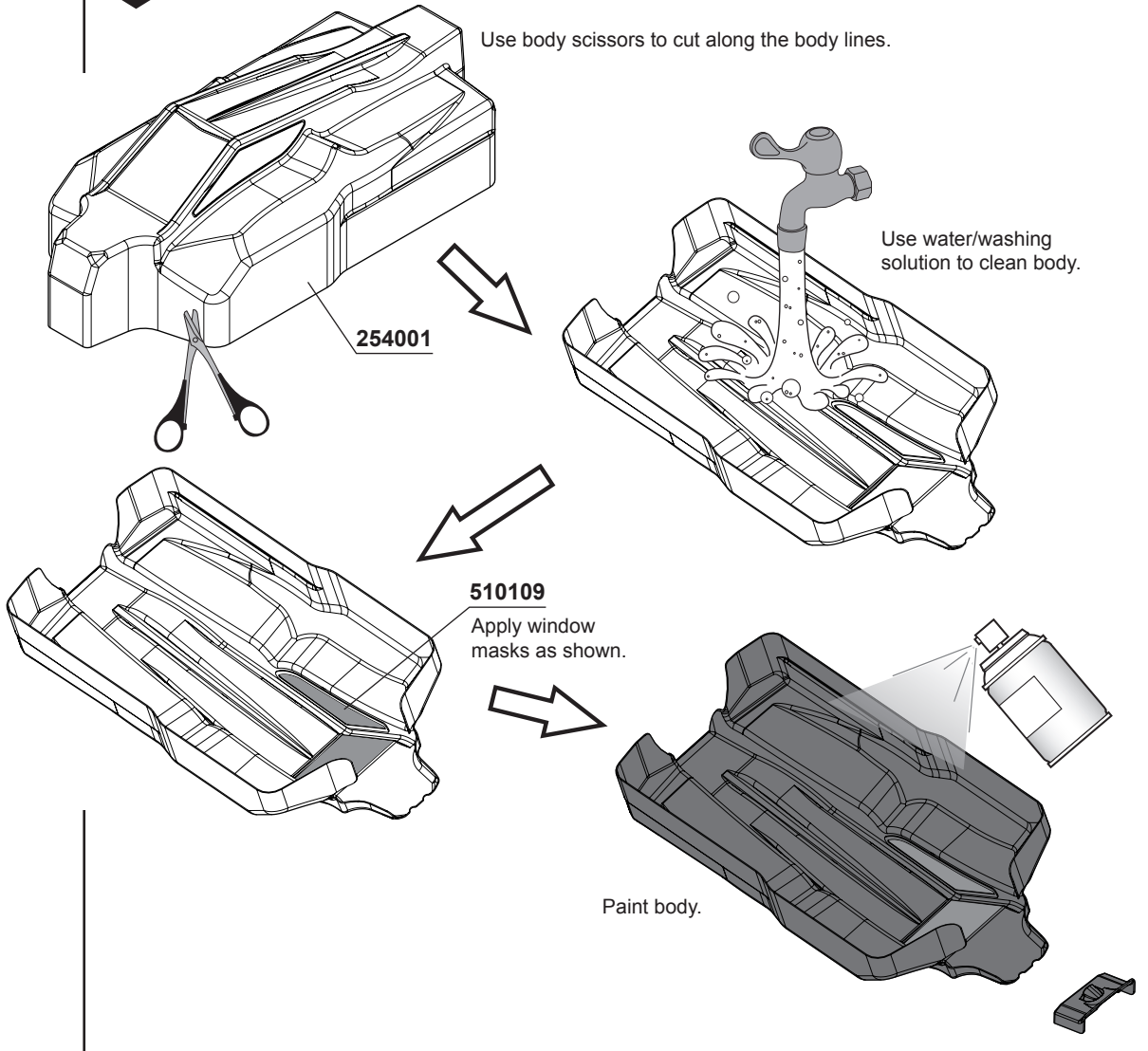
103002

103002

BAG M

43

Body shell painting preparation



Use body scissors to cut along the body lines.

254001

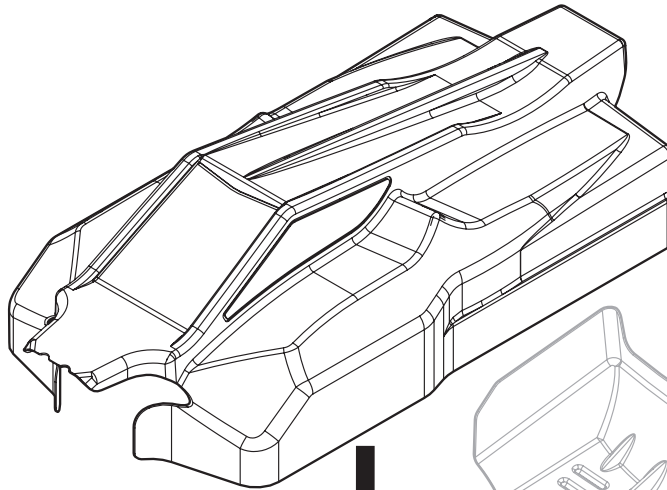
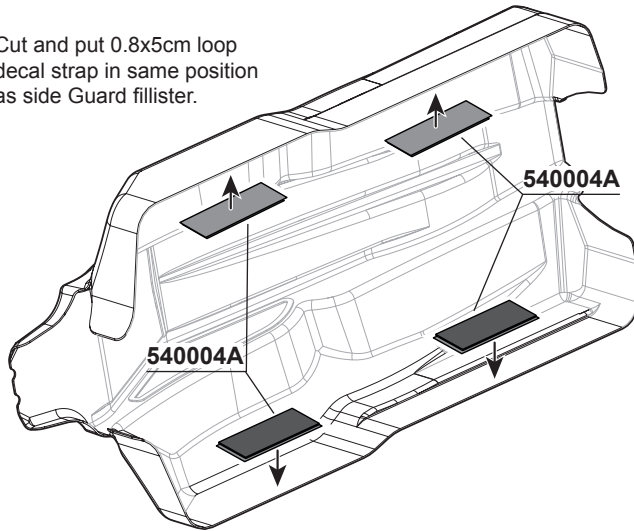
Use water/washing
solution to clean body.

510109

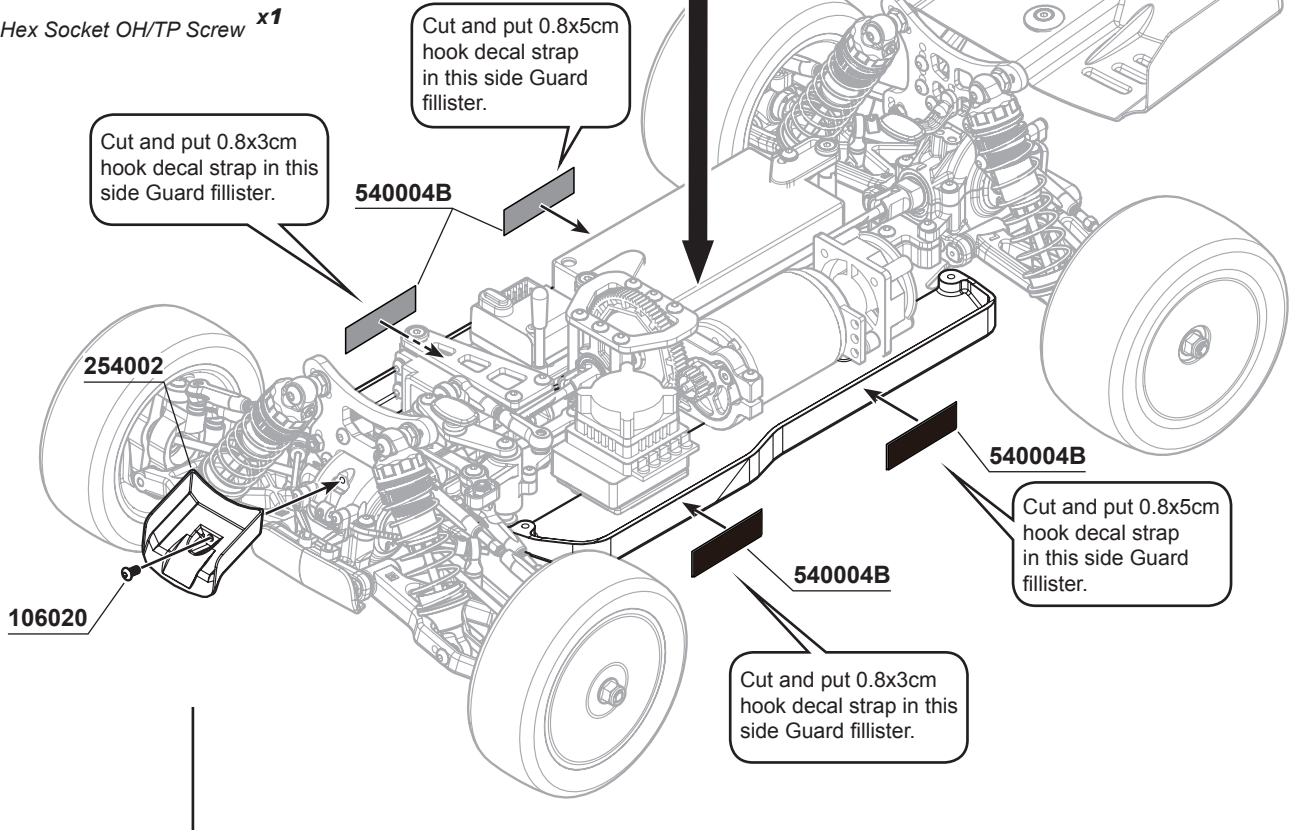
Apply window
masks as shown.

Paint body.

Cut and put 0.8x5cm loop decal strap in same position as side Guard fillister.



106020
M2.5x5mm Hex Socket OH/TP Screw **x1**



Race time / Lap: _____

Best lap: _____

Name: SWORKZ
 Date: 05/03/2023
 Track: USA

Diff. Oil
 Front: 10K
 Center: 100k
 Rear: 10K

Track Conditions
 Size: Open Med. Tight
 Traction: High Med. Low
 Surface: Smooth Med. Bumpy

Tire
 Front Type: Option Rear Type: Option
 Foam: _____ Foam: _____

Electric System
 ESC Type: Option
 Motor Type: Option
 Motor Gear/Spur Gear: 19/81T

Front Suspension

Front Toe-In
 F: 0.5 1.0
 R: 0.5 1.0

Steering Ackerman
 1
 2
 3

Diff. Position

Front	0 <input type="checkbox"/>	1 <input type="checkbox"/>	2 <input type="checkbox"/>	3 <input type="checkbox"/>
Rear	0 <input type="checkbox"/>	1 <input type="checkbox"/>	2 <input type="checkbox"/>	3 <input type="checkbox"/>

Front lower arm
 Pro-composite Hard Material Standard Material

Oil: #500
Spacer: 6.9 mm
Pistons: 2 x 1.6
Spring: 3 Dot

Track width: _____ mm
Camber angle: -2
Toe angle: -1
Rebound stop: 5 mm
Sway bar: Use 1.8 mm None
Ride High: 21 mm

Rear Suspension

Rear Toe-In
 F: 0.5 1.0
 R: 0.5 1.0

Wing Angle: 0 +3 -3
Wing Position: H M L

Body: SW Kit
Rear Wing: SW Kit
Front Wing: SW Kit

Oil: #500
Spacer: 5.2 mm
Pistons: 2 x 1.7
Spring: 2 Dot

Notes:

Rear Sway bar: Use 1.6 mm None
Ride High: 21 mm

Option Parts List

Side guard
 Pro-composite Hard Material Standard Material

Carbon Center T-brace
 Use None

T-bar
 Front: Pro-composite Hard Material Standard Material
 Rear: Pro-composite Hard Material Standard Material

Parts No. List

Part No.	Part Name	Q'ty in Use	Item No.	Part No.	Part Name	Q'ty in Use	Item No.
200193	Antenna Tube	1	SW-200193	330304A	S104 Aluminum Shock Spring Adjust Nut (BK)	4	SW-330304A
210036	S104 Diff. Case	3	SW-210036	334060-10	SWORKz 1/10 Linkage Ball Stud (D5.5mm x L10mm)	2	SW-334060-10
2502524	S104 EVO Plastic Bumper Accessories Set 1		SW-2502524	334060-4	SWORKz 1/10 Linkage Ball Stud (D5.5mm x L4mm)	1	SW-334060-4
2503210A	SWORKz 1/10 Eccentric Bushing Set 3		SW-2503210A	334060-7	SWORKz 1/10 Linkage Ball Stud (D5.5mm x L7mm)	11	SW-334060-7
220021	SWORKz 1/10 S14-3 Plastic Center Chassis T-Brace Set (Standard Material)	1	SW-220021	334071-2.0	S14-4 Series Aluminum Main Chassis (2mm)	1	SW-334071-2.0
220023	SWORKz 1/10 S14-3 Front and Rear Wheel Hub Set	2	SW-220023	334073-30	SWORKz 3.5mm Steel Turnbuckle (M3.5*30mm)	4	SW-334073-30
220024-9	SWORKz 1/10 S14-3 Front C Hub Set (9 Degree)	1	SW-220024-9	334073-36	SWORKz 3.5mm Steel Turnbuckle (M3.5*36mm)	2	SW-334073-36
220024-11	SWORKz 1/10 S143C Front C Hub Set (11 Degree)	1	SW-220024-11	344004	S14-3 Pro-composite Center Diff Upper Deck	1	SW-344004
220032-81	S14-3 Precision Plastic Center Spur Gear 81T for Gear Diff(48DP)	1	SW-220032-81	344006	S14-3 Pro-composite Carbon Fiber Center Rear Chassis T-Brace (2.5mm)	1	SW-344006
220044	S12-2 Rear Wing Mount Set	1	SW-220044	344007	S14-3 Pro-composite Carbon Fiber Center Front Chassis T-Brace (2.5mm)	1	SW-344007
220046	S12-2 Rear Hub Insert Set	1	SW-220046	344014	S14-4 Series Pro-composite Carbon Fiber Steering Servo Saver Plate	1	SW-344014
220049-1	SWORKz 1/10 Precision Plastic Shock Piston (1.6X2Holes)	2	SW-220049-1	344015	S14-4 Series Pro-composite Carbon Fiber Front Servo Saver Upper Deck	1	SW-344015
220049-2	SWORKz 1/10 Precision Plastic Shock Piston (1.7X2Holes)	2	SW-220049-2	344016	S14-4 Series Pro-composite Carbon Fiber Steering Servo Connect Plate	1	SW-344016
220049-5	SWORKz 1/10 Precision Plastic Shock Seal Part (2 Sets)	2	SW-220049-5	344012A	S14-4 Series Pro-composite Rear Carbon Fiber Shock Tower (Wide)	1	SW-344012A
220050-1	SWORKz 1/10 Precision Plastic Shock Cap	4	SW-220050	344013A	S14-4 Series Pro-composite Front Carbon Fiber Shock Tower (Wide)	1	SW-344013A
220050-2	SWORKz 1/10 Precision Plastic Shock Seal Cap	4	SW-220050	344017	S14-4 Series Pro-composite Rear Carbon Fiber Shock Tower (Higher)	1	SW-344017
224001	S14-4 Gear Box Set	2	SW-224001	344018	S14-4 Series Pro-composite Front Carbon Fiber Shock Tower (Higher)	1	SW-344018
224002	S14-4 Gear Box Adjust Insert Set	2	SW-224002	344019-A	S14-4 Series Pro-composite Carbon Adjust Battery Plate A	1	SW-344019-A
224003	SWORKz 1/10 Plastic Synthesis Rear Hub Set	2	SW-224003	344019-B	S14-4 Series Pro-composite Carbon Adjust Battery Plate B	1	SW-344019-B
224004	S14-4 Settring Bellcrank Set	1	SW-224004	400002	O-ring S5	4	SW-400002
224005S	S14-4 Front Lower Arm Set in Standrad Material	2	SW-224005S	400013	S104 Shock Seal O-ring 2x2.7mm	6	SW-400013
224006S	S14-4 Rear Lower Arm Left in Pro-composite Standrad Material	1	SW-224006S	400014	S104 Aluminum Shock Spring Adjust Nut O-Ring 1.5x13.5mm	4	SW-400014
224007L3.5	SWORKz 1/10 Plastic Ball End Set (T3.5mm)	4	SW-224007L3.5	400025	SWORKz 1/10 Series Pro Shock System Seal O-ring	8	SW-400025
224007S4-25	SWORKz 1/10 4WD Steering Servo Horn (25T)	1	SW-224007S4-25	410047	S102 Shock Cap O-Ring (SP)	4	SW-410047
224007S4-23	SWORKz 1/10 4WD Steering Servo Horn (23T)	1	SW-224007S4-23	410049	1/10 Shock Seal Cap O-ring (8*10*1)	4	SW-410049
224008	S14-4 Plastic Accessories Part Set	1	SW-224008	514001	S14-4 Falcon ST-1 Body Shell Decal Sheet	1	SW-254001
224009	S14-4 Side Guard Set in Standrad Material	1	SW-224009	514002	S14-4 Falcon ST-1 Body Shell Window Mask	1	SW-254002
224010	SWORKz 1/10 Series Shock Plastic Parts	4	SW-224010	540004A	Loop decal strap 1.6x10cm	1	SW-540004
250042	SWORKz 1/10 sonic wing 6.5"	1	SW-250042	540004B	Hook decal strap 1.6x10cm	1	SW-540004
254001	S14-4 Falcon ST-1 Clean Body Shell	1	SW-254001	610012	S104 Diff. Gasket (0.4T)	3	SW-610012
254002	SWORKz 1/10 Off Road Formula Bulkhead Wing	1	SW-254002	610013B08-H	S14/S12 Slipper Clutch Teflon Pad(High Grip)(Yellow)(T0.8mm)	2	SW-610013B08-H
214014-F75	S14-4 CVA Drive Shaft Set Front 75mm	2	SW-214014-F75	610024	S12-2 Battery Block	1	SW-610024
214014-R67.5	S14-4 CVA Drive Shaft Set Rear 67.5mm	2	SW-214014-R67.5	510091	S-WORKz Original Logo Sticker	1	SW-510091
330134	Shock Ball Stud	4	SW-330134	114001-1.8	S14-4 Series Sway Bar (1.8mm)(Fit Front / Rear)	1	SW-114001-1.8
330277	S104 Diff. Bevel Gear 18T	6	SW-330278	114001-1.6	S14-4 Series Sway Bar (1.6mm)(Fit Front / Rear)	1	SW-114001-1.6
330278	S104 Diff. Bevel Gear 10T	12	SW-330278	115162	S14/S12 Black Competition Rear Shock Spring (L2-Dot)(57X1.1X9.25)	2	SW-115162
330279	S104 Bevel Gear Shaft	6	SW-330279	115186	S12-2 Black Competition Front Shock Spring (US3-Dot)(38X1.2X7.0)	2	SW-115186
330282	S104 Front/Rear Diff. Outdrive	6	SW-330282	116010R	Ball Bearing 5x10x4mm (Red Rubber Case)	4	SW-116010R
330283	S104 Pin M2.0x10mm	4	SW-330283	116013R	Ball Bearing 10x15x4mm (Red Rubber Case)	6	SW-116013R
330283A	SWORKz Pin M2.0x9.8mm	6	SW-330283A	116015	Ball Bearing 5x8x2.5mm	4	SW-116015
330284	S104 Crown Gear 42T	2	SW-330284	116016R	Ball Bearing 5x11x4mm (Red Rubber Case)	8	SW-116016
330293	S104 Rear Hub Carrier Hing pin	2	SW-330293	117003	Flange Ball Bearing 3x6x2.5mm	2	SW-117003
330315	Sway Bar Linkage Ball Stud	4	SW-330315	101007	Washer 3x8x0.5	2	SW-101007
330409	S104 Motor Gear 19T	1	SW-330409	101011	M2.6x6xT0.5mm	4	SW-101011
332038-SF	SWORKz 1/10 Series Pro Shock System Shorter Front Shaft (SF-41.2mm)	2	SW-332038-SF	101012	M3x6xT0.5mm	8	SW-101012
332038-SR	SWORKz 1/10 Series Pro Shock System Shorter Rear Shaft (SR-48.2mm)	2	SW-332038-SR	101012-10	M3x6xT0.1mm	5	SW-101012-10
332047-LF	SWORKz 1/10 Series Pro Shock Body for Longer Front System(LF)	2	SW-332047-LF	101020A	S350 Sries 3mm Countersunk Washers (GM)	11	SW-101020A
332047-LR	SWORKz 1/10 Series Pro Shock Body for Longer Rear System(LR)	2	SW-332047-LR	101023	S104 Shim 10x12x0.1mm	2	SW-101023
334001	S14-3 Pinion Gear 17T (5mm shaft)	2	SW-334001	101024	S104 Shim 10x12x0.2mm	4	SW-101024
334002	S14-3 Aluminum Shock Stud	4	SW-334002	101025	Shim 3.5x10x0.1mm	8	SW-101025
334003	S14-3 Center Drive Join	2	SW-334003	101026R	SWORKz Aluminum Washer 3X6X1.5mm (Red)	12	SW-101026R
334006	S14-3 Center Drive Shaft 68mm	1	SW-334006	103002	Flage Nylon Nut M4	4	SW-103002
334010	S14-3 12mm Wheel Hex (4.7mm)	4	SW-334010	103007	M3mm Nut Lock Thim (BK)	11	SW-103007
334020	S14-3 Series C Hub Bushing (A)(2.5)	2	SW-334020	104004	M3x3mm Set Screw	7	SW-104004
334021	S14-3 Series C Hub Bushing (B)(0.7)	2	SW-334021	104005	Set Screw M3x4	6	SW-104005
334022	S14-3 Series Lower Arm Hinge Pin (3x32mm)	2	SW-334022	104009	M3x16mm Set Screw	3	SW-104009
334026	S14-3 7075 Aluminum Front Rear Fully Adjustable Toe-In Block	1	SW-334026	104011	M4x4mm Set Screw (Flat Bottom)	2	SW-104011
334028	S14-3 Pinion Gear Stopper (Aluminum) (5x7x4mm)	2	SW-334028	105021	M3x6mm Conical Head Screw	4	SW-105021
334029	S14-3 Wheel Hub Ball Bearing Stopper (Aluminum) (5x7x1mm)	4	SW-334029	106001	M3x8mm Hex Soket OH/TP Screw	11	SW-106001
334033	S14-3 Series Lower Arm Hinge Pin (3x52.3mm)	4	SW-334033	106002	M3x10mm Hex Soket OH/TP Screw	25	SW-106002
334050	S14-4 Series Series Center Slipper Clutch Drive Shaft	1	SW-334050	106003	Button Head Screw M3x16mm	1	SW-106003
334051	S14-4 Series Center Slipper Clutch Drive Join	1	SW-334051	106005	M3x15mm Hex Soket OH/TP Screw	2	SW-106005
334052	S14-4 Series Center Slipper Clutch Pad Inside	1	SW-334052	106006	M3x20mm Hex Soket OH/ST Screw	2	SW-106006
334053	S14-4 Series Center Slipper Clutch Pad Outside	1	SW-334053	106008	M3x12mm Hex Soket OH/TP Screw	14	SW-106008
334055	S14-4 Series Center Slipper Clutch Adjust Spring Holder Nut	1	SW-334055	106010	M3x6mm Hex Soket OH/TP Screw	6	SW-106010
334061	S14-4 Series Servo Saver Shaft	2	SW-334061	106013	M2.5x8mm 1.5mmHex Soket OH/ST Screw	6	SW-106013
334062	S14-4 Series Aluminum Rear/Front Lower Arm Holder (RF)	1	SW-334062	106014	M2x6mm Hex Soket OH/TP Screw	8	SW-106014
334063	S14-4 Series Aluminum Rear/Rear Lower Adjustable Toe-In Block (RR)	1	SW-334063	106017	M3x14mm Hex Soket OH/TP Screw	2	SW-106017
334064	S14-4 Series Aluminum Front/Front Lower Toe-In Plate (FF)	1	SW-334064	106020	M2.5x5mm 1.5mmHex Soket OH/ST Screw	3	SW-106020
334065	S14-4 Series Aluminum Servo Saver Steering Plate	1	SW-334065	108001	M3x12mm FH/ST HEX Screw	8	SW-108001
334066	S14-4 Series Aluminum Steering Servo Main Holder	1	SW-334066	108003	M3x10mm FH/ST HEX Screw	16	SW-108003
334067	S14-4 Series Aluminum Steering Servo Post	1	SW-334067	108006	M3x8mm FH/ST HEX Screw	28	SW-108006
334068	S14-4 Series Aluminum Center Slipper/Diff Mount	1	SW-334068	108007	M3x6mm FH/ST HEX Screw	3	SW-108007
334069	S14-4 Series Aluminum Center Motor/Diff One Unit Mount	1	SW-334069	108017	M2.6x10mm FH/ST HEX Screw	12	SW-108017
334070	S14-4 Series Aluminum Motor Adjust Holder	1	SW-334070	108021	M3x18mm FH/ST HEX Screw	2	SW-108021
330156S-Red	SWORKz Sway Adjuster Knob (Red)	2	SW-330156S-Red				
330283A	SWORKz Pin M2.0x9.8mm	5	SW-330283				

Spare Part List

Item No.	Part Name	Item No.	Part Name
SW-200193	Antenna Tube (3 sets)	SW-330304A	S14/12 Aluminum Shock Spring Adjust Nut (BK)(2PC)
SW-210036	S104 Diff. Case Set	SW-334060-4	SWORKz 1/10 Linkage Ball Stud (D5.5mm x L4mm)(2PC)
SW-2502524	S104 EVO Plastic Bumper Accessories Set	SW-334060-7	SWORKz 1/10 Linkage Ball Stud (D5.5mm x L7mm)(4PC)
SW-2503210A	SWORKz 1/10 Eccentric Bushing Set	SW-334060-10	SWORKz 1/10 Linkage Ball Stud (D5.5mm x L10mm)(2PC)
SW-220021	SWORKz 1/10 S14-3 Plastic Center Chassis T-Brace Set (Standard Material)	SW-334071-2.0	S14-4 Series Aluminum Main Chassis (2mm)(1PC)
SW-220023	SWORKz 1/10 S14-3 Front and Rear Wheel Hub Set	SW-334073-30	SWORKz 3.5mm Steel Turnbuckle (M3.5x30mm)(2PC)
SW-220024-9	SWORKz 1/10 S14-3 Front C Hub Set (9 Degree)	SW-334073-36	SWORKz 3.5mm Steel Turnbuckle (M3.5x36mm)(2PC)
SW-220024-11	SWORKz 1/10 S143C Front C Hub Set (11 Degree)	SW-344004	S14-3 Pro-composite Center Diff Upper Deck
SW-220032-81	S14-3 Precision Plastic Center Spur Gear 81T for Gear Diff(48DP)	SW-344006	S14-3 Pro-composite Carbon Fiber Center Rear Chassis T-Brace (2.5mm)
SW-220044	S12-2 Rear Wing Mount Set	SW-344007	S14-3 Pro-composite Carbon Fiber Center Front Chassis T-Brace (2.5mm)
SW-220046	S12-2 Rear Hub Insert Set	SW-344012A	S14-4 Series Pro-composite Rear Carbon Fiber Shock Tower (Wide)
SW-220049-1	SWORKz 1/10 Precision Plastic Shock Piston (1.6X2Holes)	SW-344013A	S14-4 Series Pro-composite Front Carbon Fiber Shock Tower (Wide)
SW-220049-2	SWORKz 1/10 Precision Plastic Shock Piston (1.7X2Holes)	SW-344017	S14-4 Series Pro-composite Rear Carbon Fiber Shock Tower (Higher)
SW-220049-5	SWORKz 1/10 Precision Plastic Shock Seal Part (2 Sets)	SW-344018	S14-4 Series Pro-composite Front Carbon Fiber Shock Tower (Higher)
SW-220050	SWORKz 1/10 Pro-Shock Precision Plastic Shock Cap & Seal Cap (4 Sets)	SW-344014	S14-4 Series Pro-composite Carbon Fiber Steering Servo Saver Plate
SW-224001	S14-4 Gear Box Set	SW-344015	S14-4 Series Pro-composite Carbon Fiber Front Servo Saver Upper Deck
SW-224002	S14-4 Gear Box Adjust Insert Set (2 Sets)	SW-344016	S14-4 Series Pro-composite Carbon Fiber Steering Servo Connect Plate
SW-224003	SWORKz 1/10 Plastic Synthesis Rear Hub Set	SW-344019-A	S14-4 Series Pro-composite Carbon Adjust Battery Plate A
SW-224004	S14-4 Settring Bellcrank Set	SW-344019-B	S14-4 Series Pro-composite Carbon Adjust Battery Plate B
SW-2240055	S14-4 Front Lower Arm Set in Standrad Material (1PC)	SW-400002	O-ring S5 4.8X1.5 (6PC)
SW-2240065	S14-4 Rear Lower Arm Set in Standrad Material (1 Pair)	SW-400013	SWORKz Shock Seal O-ring 2x2.7mm (8PC)
SW-224007L3.5	SWORKz 1/10 Plastic Ball End Set (T3.5mm)(2 Sets)	SW-400014	S104 Aluminum Shock Spring Adjust Nut O-Ring 1.5x13.5mm
SW-22400754-25	SWORKz 1/10 4WD Steering Servo Horn (25T)	SW-400025	SWORKz 1/10 Series Pro-Shock System Seal O-ring (8PC)
SW-22400754-23	SWORKz 1/10 4WD Steering Servo Horn (23T)	SW-410047	S102 Shock Cap O-ring (SP)
SW-224008	S14-4 Plastic Accessories Part Set	SW-410049	1/10 Shock Seal Cap O-ring (8*10*1)
SW-224009	S14-4 Side Guard Set in Standrad Material	SW-540004	Loop & Hook Seal decal strap set (2x10cm)
SW-224010	SWORKz 1/10 Series Shock Plastic Parts (2 Sets)	SW-610012	S104 Diff. Gasket (0.4T) (2pc)
SW-250042	SWORKz 1/10 sonic wing 6.5"	SW-610013B08-H	S14/S12 Slipper Clutch Teflon Pad (High Grip)(Yellow)(T0.8mm)(2PC)
SW-254001	S14-4 Falcon SF-1 Clean Body Shell (Standard)(with Bulkhead Wing)	SW-610024	S12-2 Battery Block
SW-254002	SWORKz 1/10 Off Road Formula Bulkhead Wing (1PC)	SW-510091	SWORKz Original Logo Sticker (2PC)
SW-214014-F75	S14-4 CVA Drive Shaft Set Front 75mm (1 Set)	SW-114001-1.8	S14-4 Series Sway Bar (1.8mm)(Fit Front / Rear)
SW-214014-R67.5	S14-4 CVA Drive Shaft Set Rear 67.5mm (1 Set)	SW-114001-1.6	S14-4 Series Sway Bar (1.6mm)(Fit Front / Rear)
SW-330134	Shock Ball Stud	SW-115162	S14/S12 Black Competition Line Rear Shock Spring (2 Dot)(57X1.1X9.25)
SW-330278	S104 Diff. Bevel Gear Set	SW-115186	S12-2 Black Competition Front Shock Spring (US3-Dot)(38X1.2X7.0)
SW-330279	S104 Bevel Gear Shaft	SW-116010R	Ball Bearing 5x10x4mm (Red Rubber Case)(4PC)
SW-330282	S104 Front/Rear Diff. Outdrive	SW-116013R	Ball Bearing 10x15x4mm(Red Rubber Case)(6PC)
SW-330283	S104 Pin M2.0x10mm	SW-116015	Ball Bearing 5x8x2.5mm
SW-330284	S104 Crown Gear 42T	SW-116016R	Ball Bearing 5x11x4mm(Red Rubber Case)(4PC)
SW-330293	S104 Rear Hub Carrier Hing pin	SW-117003	Flange Ball Bearing 3x6x2.5mm
SW-330315	Sway Bar Linkage Ball Stud	SW-101007	Washer 3x8x0.5 (10PC)
SW-330409	S104 Motor Gear 19T	SW-101011	M2.6x6xT0.5mm
SW-332038-SF	SWORKz 1/10 Series Pro Shock System Shorter Front Shaft (SF-41.2mm)	SW-101012	M3x6xT0.5mm
SW-332038-SR	SWORKz 1/10 Series Pro Shock System Shorter Rear Shaft (SR-48.2mm)	SW-101012-10	M3x6xT0.1mm(10pc)
SW-332047-LF	SWORKz 1/10 Series Pro Shock Body for Longer Front System(LF)	SW-101020A	S350 Sries 3mm Countersunk Washers (GM)
SW-332047-LR	SWORKz 1/10 Series Pro Shock Body for Longer Rear System(LR)	SW-101023	S104 Shim 10x12x0.1mm
SW-334001	S14-3 Pinion Gear 17T (5mm shaft)	SW-101024	S104 Shim 10x12x0.2mm
SW-334002	S14-3 Aluminum Shock Stud (2PC)	SW-101025	Shim 3.5x10x0.1mm
SW-334003	S14-3 Center Drive Join (1PC)	SW-101026R	SWORKz Aluminum Washer 3X6X1.5mm (Red)(10PC)
SW-334006	S14-3 Center Drive Shaft 68mm	SW-103002	Flage Nylon Nut M4
SW-334010	S14-3 12mm Wheel Hex (4.7mm)(Standard)(2PC)	SW-103007	M3mm Nut Lock Thim (BK)
SW-334020	S14-3 Series C Hub Bushing (A)(2.5)(2PC)	SW-104004	M3x3mm Set Screw
SW-334021	S14-3 Series C Hub Bushing (B)(0.7)(2PC)	SW-104005	Set Screw M3x4
SW-334022	S14-3 Series Front Wheel Hub Hinge Pin (3x32mm)(2PC)	SW-104009	M3x16mm Set Screw
SW-334026	S14-3 7075 Aluminum Front Rear Fully Adjustable Toe-In Block	SW-104011	M4x4mm Set Screw (Flat Bottom)
SW-334028	S14-3 Pinion Gear Stopper (5x7x4mm)(4PC)	SW-105021	M3x6mm Conical Head Screw
SW-334029	S14-3 Wheel Hub Ball Bearing Stopper (5x7x1mm)(4PC)	SW-106001	M3x8mm Hex Soket OH/TP Screw
SW-334033	S14-3 Series Lower Arm Hinge Pin (3x52.3mm)(2PC)	SW-106002	M3x10mm Hex Soket OH/TP Screw
SW-334050	S14-4 Series Series Center Slipper Clutch Drive Shaft (1PC)	SW-106003	Button Head Screw M3x16mm
SW-334051	S14-4 Series Center Slipper Clutch Drive Join (1PC)	SW-106005	M3x15mm Hex Soket OH/TP Screw
SW-334052	S14-4 Series Center Slipper Clutch Pad Inside (1PC)	SW-106006	M3x20mm Hex Soket OH/ST Screw
SW-334053	S14-4 Series Center Slipper Clutch Pad Outside (1PC)	SW-106008	M3x12mm Hex Soket OH/TP Screw
SW-334055	S14-4 Series Center Slipper Clutch Adjust Spring Holder Nut (1PC)	SW-106010	M3x6mm Hex Soket OH/TP Screw
SW-334061	S14-4 Series Servo Saver Shaft (2PC)	SW-106013	M2.5x8mm 1.5mmHex Soket OH/ST Screw
SW-334062	S14-4 Series Aluminum Rear/Front Lower Arm Holder (RF)(1PC)	SW-106014	M2x6mm Hex Soket OH/TP Screw
SW-334063	S14-4 Series Aluminum Rear/Rear Lower Adjustable Toe-In Block (RR)(1PC)	SW-106017	M3x14mm Hex Soket OH/TP Screw
SW-334064	S14-4 Series Aluminum Front/Front Lower Toe-In Plate (FF)(1PC)	SW-106020	M2.5x5mm 1.5mmHex Soket OH/ST Screw
SW-334065	S14-4 Series Aluminum Servo Saver Steering Plate (1PC)	SW-108001	M3x12mm FH/ST HEX Screw
SW-334066	S14-4 Series Aluminum Steering Servo Main Holder (1PC)	SW-108003	M3x10mm FH/ST HEX Screw
SW-334067	S14-4 Series Aluminum Steering Servo Post (1PC)	SW-108006	M3x8mm FH/ST HEX Screw
SW-334068	S14-4 Series Aluminum Center Slipper/Diff Mount (1PC)	SW-108007	M3x6mm FH/ST HEX Screw
SW-334069	S14-4 Series Aluminum Center Motor/Diff One Unit Mount (1PC)	SW-108017	M2.6x10mm FH/ST HEX Screw
SW-334070	S14-4 Series Aluminum Motor Adjust Holder (1PC)	SW-108021	M3x18mm FH/ST HEX Screw
SW-330156S-Red	SWORKz Sway Adjuster Knob (Red)(2PC)		
SW-330283	S104 Pin M2.0x9.8mm (10PC)		
SW-330283A	SWORKz Pin M2.0x9.8mm (10PC)		

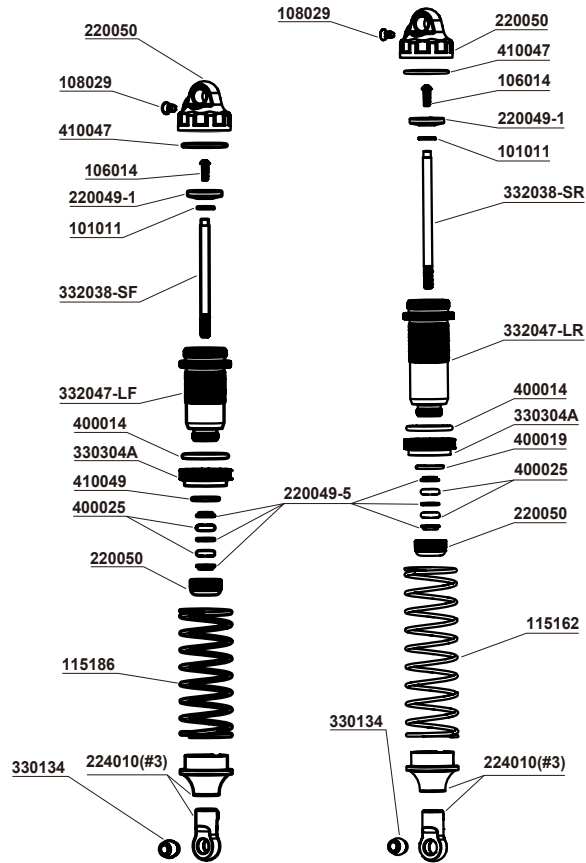
Option Parts List

Item No.	Part Name
SW-210039	S104 Series F/R Diff. Set (42T)
SW-2501800ABK	S104 Rear Wing Set (W/O Holes) (BK)
SW-2501800AFY	S104 Rear Wing Set (W/O Holes) (FY)
SW-2501800AOG	S104 Rear Wing Set (W/O Holes) (OR)
SW-2501800AWH	S104 Rear Wing Set (W/O Holes) (WH)
SW-250042	SWORKz 1/10 sonic lexan wing 6.5"
SW-250042BK	SWORKz 1/10 sonic lexan wing 6.5" (BK)
SW-250042WH	SWORKz 1/10 sonic lexan wing 6.5" (WH)
SW-212007-SF	SWORKz 1/10 Series Pro-Shock System Shorter Travel Front Set
SW-212007-SR	SWORKz 1/10 Series Pro-Shock System Shorter Travel Rear Set
SW-212008-LF	SWORKz 1/10 Series Pro-Shock System Longer Travel Front Set
SW-212008-LR	SWORKz 1/10 Series Pro-Shock System Longer Travel Rear Set
SW-214015	S14-4 Series Sway Bar Kit (1.1/1.2/1.3/1.4/1.5/1.6/1.8/2.0mm)
SW-214016	S14-4C Center Slipper Clutch Complete Set (81T)
SW-220025WH	SWORKz 1/10 2WD Off Road Competition Front Dish Wheel (WH) (4PC)
SW-220025FY	SWORKz 1/10 2WD Off Road Competition Front Dish Wheel (FY) (4PC)
SW-220026WH	SWORKz 1/10 2/4WD Off Road Competition Rear Dish Wheel (WH) (4PC)
SW-220026FY	SWORKz 1/10 2/4WD Off Road Competition Rear Dish Wheel (FY) (4PC)
SW-2503134-01	S104 EVO Center Gear Diff 72T Spur Gear (48DP)
SW-2503134-02	S104 EVO Center Gear Diff 78T Spur Gear (48DP)
SW-220049-3	SWORKz 1/10 Pro-Shock Precision Plastic Shock Piston(1.6X3Holes)(2PC)
SW-220049-4	SWORKz 1/10 Pro-Shock Precision Plastic Shock Piston(1.8X2Holes)(2PC)
SW-224005H	S14-4 Front Lower Arm Set in Pro-composite Hard Material(1PC)
SW-224006H	S14-4 Rear Lower Arm Left in Pro-composite Hard Material (1 Pair)
SW-330324	SWORKz 1/10 Motor Pinion Gear 20T
SW-330335	S104 Aluminum Rear Wing Washer
SW-330409	SWORKz 1/10 Motor Pinion Gear 19T
SW-330411	SWORKz 1/10 Motor Pinion Gear 22T
SW-330412	SWORKz 1/10 Motor Pinion Gear 23T
SW-330544	S104EVO/S12 Shock Seal Cover (GM)
SW-334011	S14-3 12mm Wheel Hex (5.7mm)(Option)(2PC)
SW-334038	S14-3 12mm Wheel Hex (6.7mm)(Option)(2PC)
SW-334039	S14-3 12mm Wheel Hex (7.7mm)(Option)(2PC)
SW-334043L	S14-3 Aluminum Front C Hub Left (11 Degree)
SW-334043R	S14-3 Aluminum Front C Hub Right (11 Degree)
SW-334044L	S14-3 Aluminum Front C Hub Left (9 Degree)
SW-334044R	S14-3 Aluminum Front C Hub Right (9 Degree)
SW-334045	S14-3 Aluminum Rear Wheel Hub (Suit L or R)
SW-334046	S14-3 Aluminum Front Wheel Hub (Suit L or R)
SW-334047BK	SWORKz T-7075 M4 Lightened Low Profile Large-contact with Serrated Wheel Nuts (BK)(6pc)
SW-334047GM	SWORKz T-7075 M4 Lightened Low Profile Large-contact with Serrated Wheel Nuts (GM)(6pc)
SW-334071-2.5	S14-4 Series Aluminum Main Chassis (2.5mm) (1PC)
SW-334074-25	SWORKz 1/10 4WD Uni-Design System Aluminum Steering Servo Horn 25T (1PC)
SW-334074-23	SWORKz 1/10 4WD Uni-Design System Aluminum Steering Servo Horn 23T (1PC)
SWC-115157	S14/S12 Black Competition Front Shock Spring (S4-Dot)(43X1.2X6.5)
SWC-115158	S14/S12 Black Competition Front Shock Spring (S3-Dot)(43X1.2X7.75)
SWC-115159	S14/S12 Black Competition Front Shock Spring (S2-Dot)(43X1.2X8.0)
SWC-115160	S14/S12 Black Competition Rear Shock Spring (L4-Dot)(57X1.1X7.5)
SWC-115161	S14/S12 Black Competition Rear Shock Spring (L3-Dot)(57X1.1X8.0)
SWC-115185	S12-2 Black Competition Front Shock Spring (US4-Dot)(38X1.2X6.0)
SWC-115187	S12-2 Black Competition Front Shock Spring (US2-Dot)(38X1.2X7.25)
SWC-116013A	SWORKz Competition 10x15x4mm Ball Bearing (Metal Case)(6PC)
SW-114001-1.1	S14-4 Series Sway Bar (1.1mm)(Fit Front / Rear)
SW-114001-1.2	S14-4 Series Sway Bar (1.2mm)(Fit Front / Rear)
SW-114001-1.3	S14-4 Series Sway Bar (1.3mm)(Fit Front / Rear)
SW-114001-1.4	S14-4 Series Sway Bar (1.4mm)(Fit Front / Rear)
SW-114001-1.5	S14-4 Series Sway Bar (1.5mm)(Fit Front / Rear)
SW-114001-2.0	S14-4 Series Sway Bar (2.0mm)(Fit Front / Rear)
SW-254001L	S14-4 Falcon ST-1 Clean Body Shell (Light) (with Bulkhead Wing)

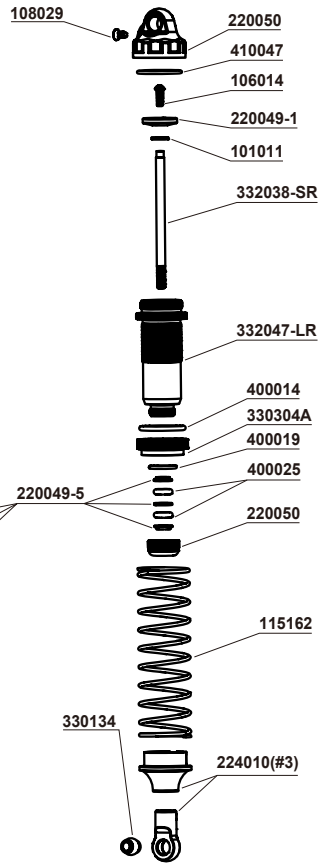
Exploded View

Shock Absorbers

Front

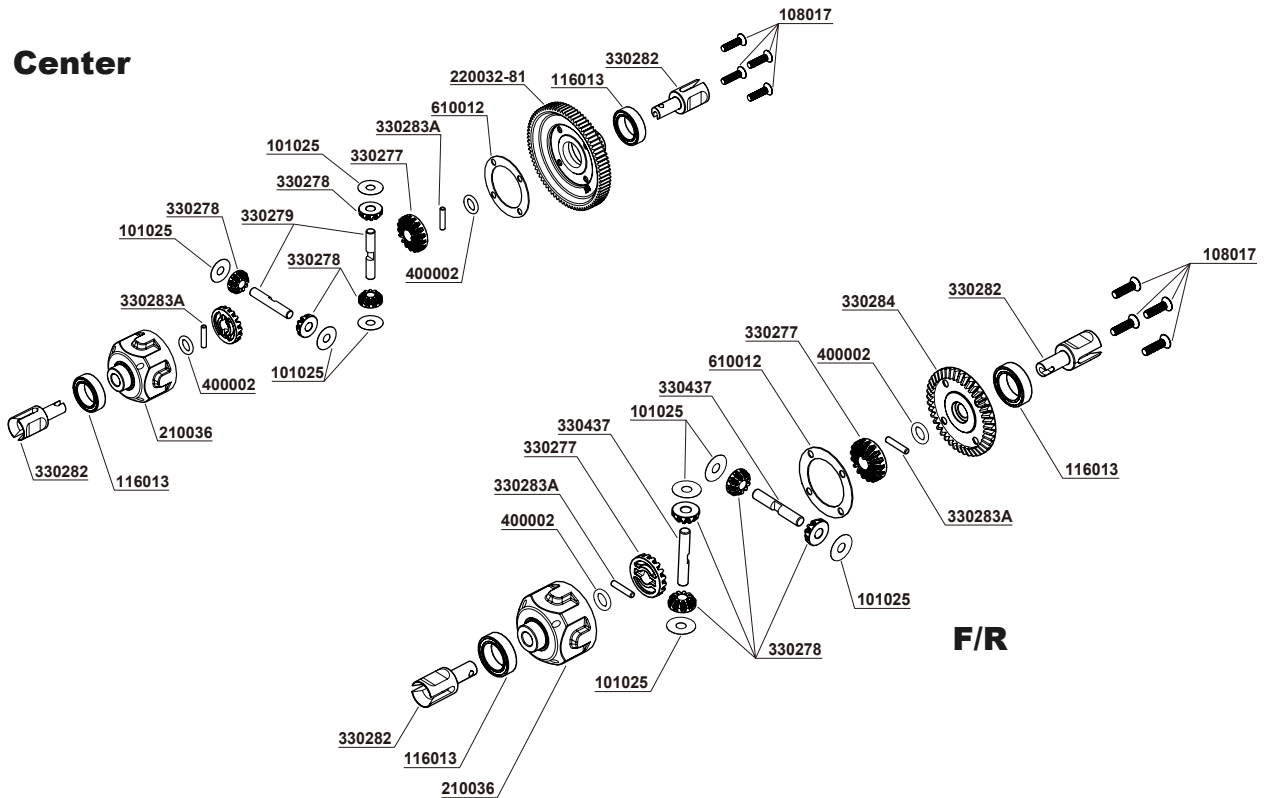


Rear



Differential

Center



F/R

Front Suspension



Rear Suspension



S14.4011

1/10 Off Road Racing Electric Buggy



SPEEDMASTER HOBBY CO., LTD.

TEL: +886-3-538-7638

FAX: +886-3-538-7328

No.42, Ruiguang St., Xiangshan Dist.,
Hsinchu City 300, Taiwan (R.O.C.)

www.sworkz.com