

SS-4E

1/8 Off Road Brushless Power Pro



SWORX2 535-4E EVO INSTRUCTION MANUAL

S35-4e EVO

1/8 Off Road Brushless Power Pro Buggy

INSTRUCTION

The S35-4e EVO is the design evolution from S35-4E Euros Champion.

Continue the successful SWORKz S35-4E 1/8 Electric Buggy platform, the new S35-4e EVO is designed for more higher level racing product.

The new geometry from European Champion Edition conversion kit provides optimized corner speed compared with more easy handling and maximum traction.

The S35-4e EVO features a T7075 hard anodized and lightened aluminum chassis with a new short wheel base design, that was tested for a long time by our factory pilots to guarantee the best speed balance for both front and rear suspensions.

The standard HET differentials are included and provide High Density Motor Pinion Gear system for options.

The new S35-4e EVO comes a brand new steering Lay-Down Type Steering Bellcrank servo saver system. With this new Ackerman design gives the driver the feeling of total control over the S35-4e EVO.

The SWORKz S35-4e EVO standard includes the Arched-Bridge-System and the higher capacity shock system. This is a big step for S35-4e EVO, the design made the car go faster and be more stable.

In the kit we include a special BBS piston and oil seal parts that the worlds team drivers tested during the race. They are made by a high Precision Plastic mold machine.

Also included are specially made durable material parts for the suspension like inserts which our team drivers used and felt immediately more confident.

The center chassis lay out is the brand new design for S35-4e EVO. Its provides 2 ways battery set up. Standard 2S peck batteries (or 2S shorty) can be used in saddle position for lower center of gravity. And one unit 4S standard peck(or shorty) also can be fit in side position.

There many more small changes and smart ideas in your new SWORKz S35-4e EVO, it's the evolution result which works by whole team that make the car being a real winner.

The secret of a modern racing car is the possibility to adapt the setup to every track for top pilots but also have a standard setup that works on most tracks for hobby pilots. And your SWORKz S35-4e EVO is having these two characteristics in perfection.

Congratulations on your purchase of the new SWORKz S35-4e EVO 1/8 scale off-road racing buggy pro kit and thanks for trusting in SWORKz.

Please read this manual carefully, before you start to build and drive your SWORKz S35-4e EVO. This manual contains step-by-step instructions to helping you completing, preparing and fine tuning your buggy for racing. Updates, setups, and product news will be posted on all SWORKz digital media.

As always, if you should ever have any questions or need help with your SWORKz products, please feel free to contact our official SWORKz dealers and distributors.

S35-4e EVO Kit Features:

- T7075 Hard Anodized, Lightend Aluminium Chassis (New)
- Short Chassis Design (New)
- Higher Shock Towers (New)
- Longer Shock Bodies (New)
- Shorter Shock Shafts
- S35 Series BBS System Hex-Cell Shock (New)
- Shorter Front Shock Springs
- SWORKz 1/8 BBS Precision Plastic Shock Piston (New)
- Fixed Shock Spring Holder
- 3mm Updated Rear Shock Studs
- Ackerman Plate (New)
- Steering System (New)
- Servo Saver Aluminium Part (New)
- Servo Saver Plate (New)
- Servo Saver Post Locking Design (New)
- Steering Ball Studs (New)
- Steering Knuckle Plates (New)
- Updated Toe In Plates with Square Inserts (New)
- Aluminum Intensity F/F and R/F Narrow Lower Suspension Plate (New)
- Brand New Center Chassis Lay Out Design (New)
- Easy Change Motor Mounting Plate (New)
- Brand New Steering Servo Holder (New)
- Brand New Radio ESC Case Design (New)
- Brand New Battery Case (New)
- Lightweight Wing Mount
- SWORKz S35-4 Series Arched-Bridge-System Rear Lower Arm Set (New)
- Composite Rear Hubs with Carbon Plates
- Multi Adjustable Ball System for Rear Upper Arms
- Anticlock Screws for Shocks
- Aerodinamically Optimized Body Shell
- 3 HET Differentials Included
- Black Competition Shock Springs Included
- Adjustable Wing Position
- Adjustable Wing Angle
- More Balance Weight Positions
- Stronger Downstop Area
- Optimized Composite Material



Specification	
Length:	510mm
Width:	308mm
Height:	220mm
Ground Clearance:	65mm
Wheelbase:	325-330mm
Track:	F:304mm / R:306mm
Gear Ratio:	C:46/15T, F/R:43/13T
Weight:	3680g (Race condition)

WARRANTY

Your SWORKz S35-4e EVO kit warranty covers workmanship and manufacturing defects of the original and unmodified parts. Warranty claims resulting from crashes, abuse, improper operation, improper mounting, improper adjustment or lack of maintenance will not be honored.

Contact your local hobby shop or SWORKz distributor for all claims and questions. Claims must be well documented. All Claims are subject to expert examination approval by SWORKz.



INTRODUCTION	2
Warranty	3
Required Equipment for Operation	5
Operation Guide	6
Assembly Steps	7-32
Set-up Sheet	33-35
S35-4e EVO Key No. List	36-37
S35-4e EVO Spare Part No. List	37-38
S35-4e EVO Option Part No. List	39
End cover	40

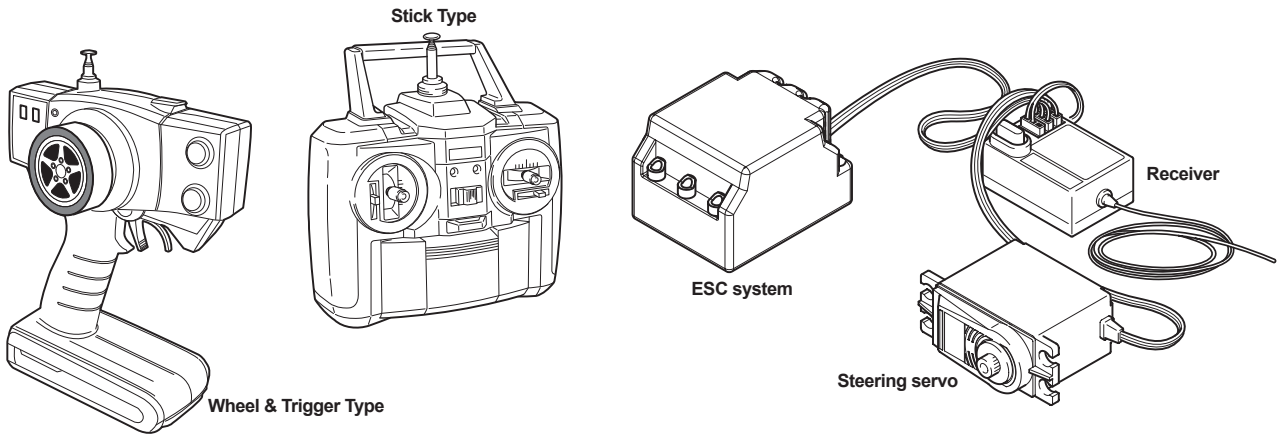


This radio controlled racing car is not a toy!

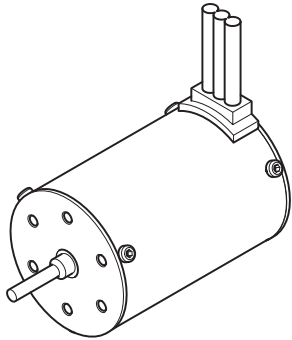
This high-performance R/C model is recommended for ages 14 and older.

Required Equipment for Operation

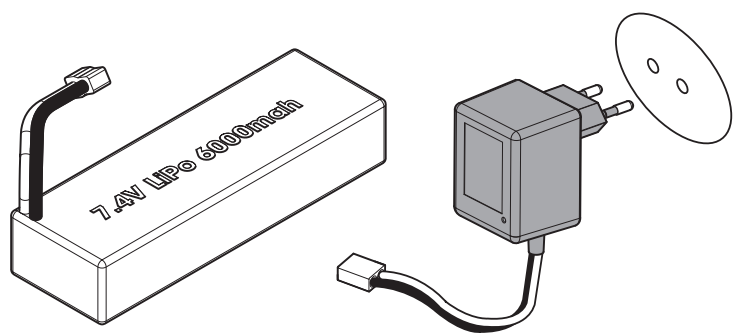
Radio Gear



Brushless Motor



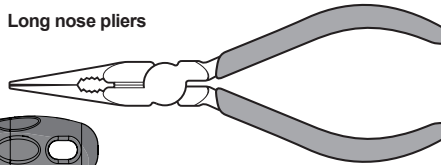
Charger and LiPo Battery



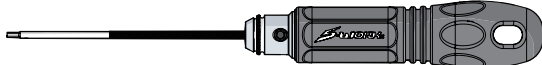
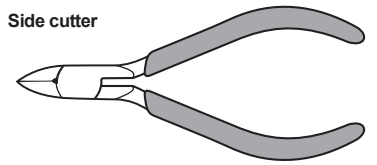
Tools Recommended



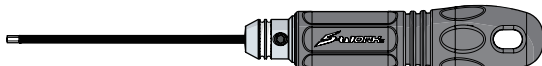
Long nose pliers



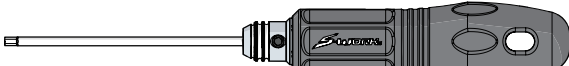
Side cutter



SW-620020-15 SWORKz SST-Pro 1.5mm HEX Wrench



SW-620020-20 SWORKz SST-Pro 2.0mm HEX Wrench



SW-620020-25 SWORKz SST-Pro 2.5mm HEX Wrench

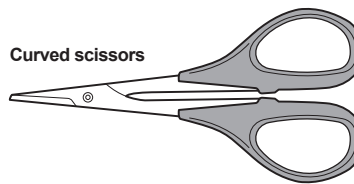


SW-620025 SWORKz SST-Pro Shorty 7.0mm Socket Driver



SW-620026 SWORKz SST-Pro Shorty 5.5mm Socket Driver

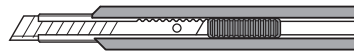
Curved scissors



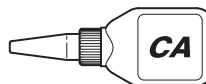
Paint



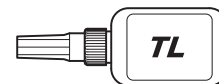
Modeling knife



Instant cement



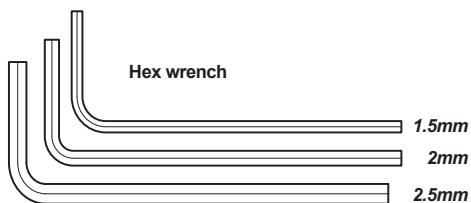
Thread lock



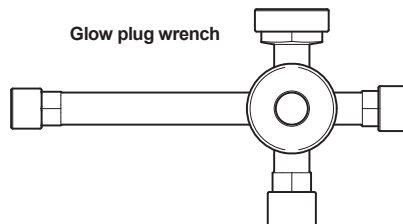
Double-sided tape



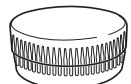
Included items



Glow plug wrench



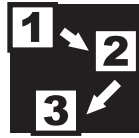
Grease



Operation Guide



Assemble front and rear



Assemble in the specified order



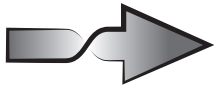
Assemble both left and right sides



Assemble for 2 sets



Assemble for 4 sets



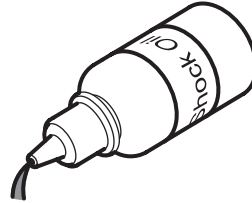
overturn



Thread Locking Compound



Grease



Pure Silicone Oil



Air filter oil

Safety Precautions

The SWORKz S35-4e EVO is a high performance radio controlled model which needs to be operated with caution and common sense.

The S35-4e EVO Pro Kit is not intended for children under the age of 14 without adult supervision. SWORKz shall not be held liable for any loss or damages, whether direct, indirect, act of nature, arising from the abuse or misuse of this product or any other product required while operating this model.

- The LiPO Battery can be dangerous is improperly handled.
- Always keep your LiPO Battery in a cool area and never use near flame, sparks, or while smoking.
- Keep your LiPO Battery, and all other flammables, out of the reach of children.
- After running your car, all parts of the Motor and ESC can become extremely hot. Be careful not to touch these parts.
- This model is controlled by your radio and that is vulnerable to interference from many outside sources. This interference can cause a loss of control so it is necessary to operate this model in an open area to avoid personal, or property damage. Always ensure turning on your radio first.
- Keep all the products included in the package out of reach of children.
- This model contains many fast rotating parts. Never touch them during operation.
- Follow the instruction included with your radio gear.
- Never operate your model near people or property. The speed of this model has the potential for injury and or damage to people and or property.
- Always use original SWORKz spare and option parts.
- Always ensure the buggy is in proper working condition before use.
- Always exercise caution when using any and all tools.

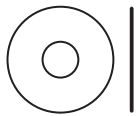
BAG B

1 **F** **R** **x2**

330015
Pin M2.2x9.9mm **x4**



400002
O-ring S5 4.8X1.5 **x4**



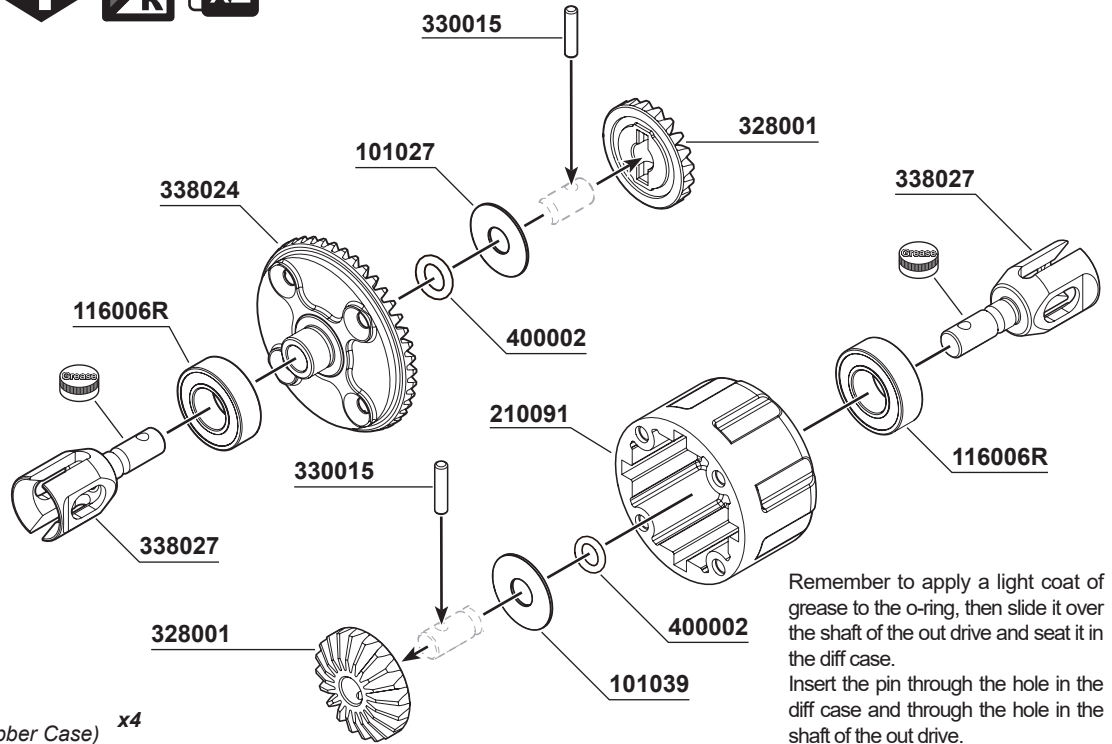
101027
Washer 5x14x0.5 **x1**



101039
Washer 5x12x0.3 **x1**



116006R
Ball Bearing 8x16x5mm (Red Rubber Case) **x4**

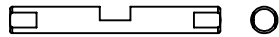


Remember to apply a light coat of grease to the o-ring, then slide it over the shaft of the out drive and seat it in the diff case.
Insert the pin through the hole in the diff case and through the hole in the shaft of the out drive.

2 **F** **R** **x2**



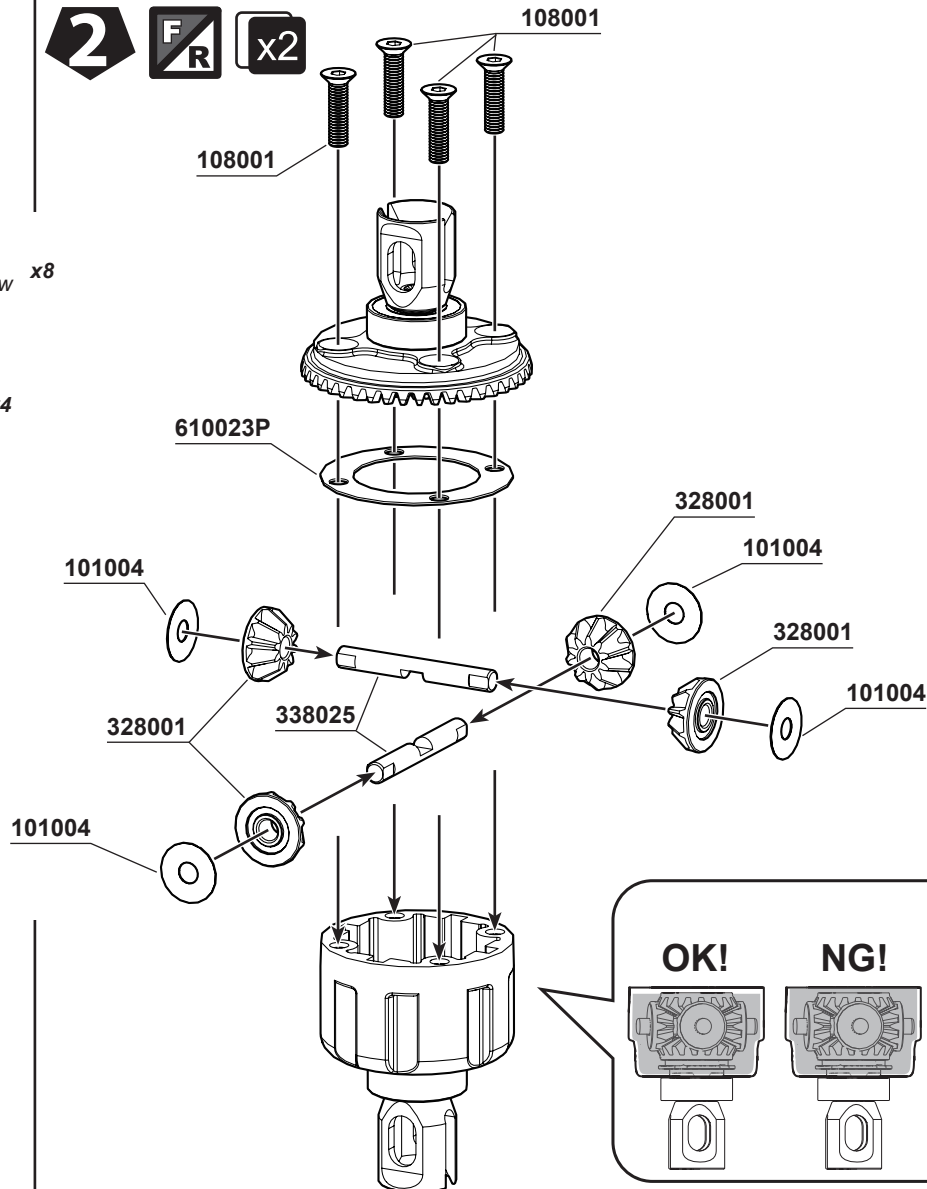
108001
M3x12mm FH/ST HEX Screw **x8**



338025
S35-3W Bevel Gear Shaft **x4**



101004
Washer 3.5X10X0.2mm **x8**

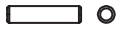


OK! **NG!**

Fill the differentials with oil up to 80% above the satellite gears.
Put the SWORKz Diff. Oil 10000cps for the front Diff. and 5000cps for the rear Diff.

BAG C

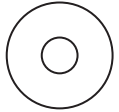
3



330015
Pin M2.2x9.9mm x2



400002
O-ring S5 4.8X1.5 x2



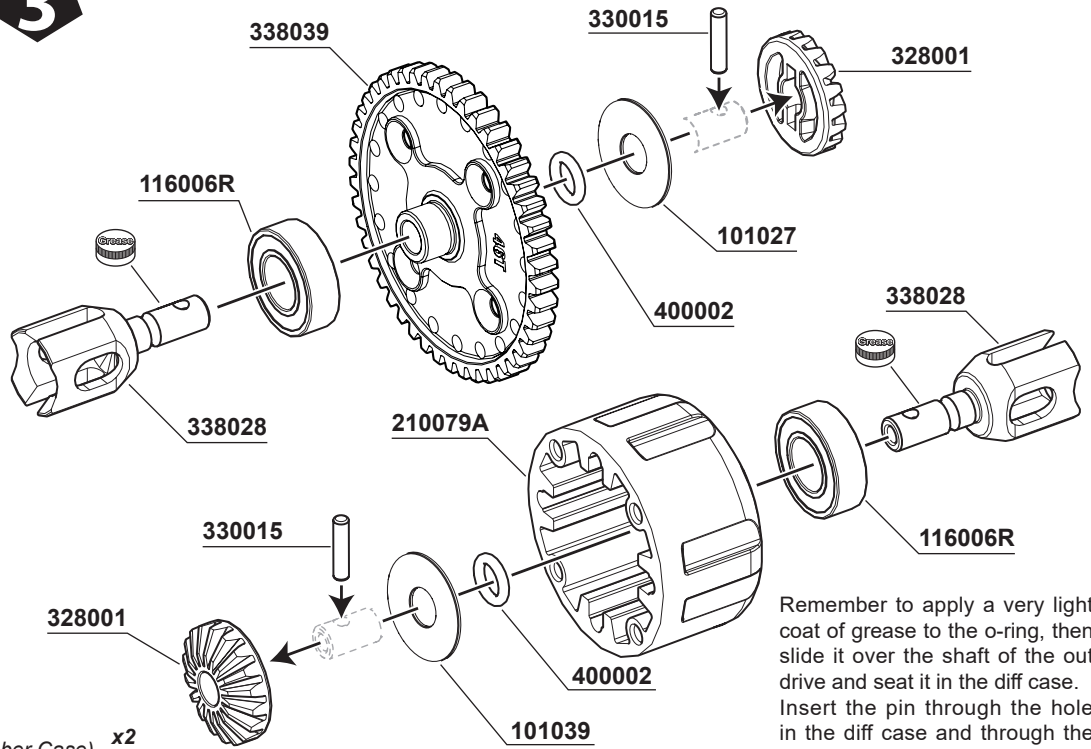
101027
Washer 5x14x0.5 x1



101039
Washer 5x12x0.3 x1



116006R
Ball Bearing 8x16x5mm (Red Rubber Case) x2

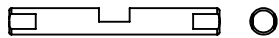


Remember to apply a very light coat of grease to the o-ring, then slide it over the shaft of the out drive and seat it in the diff case. Insert the pin through the hole in the diff case and through the hole in the shaft of the out drive.

4



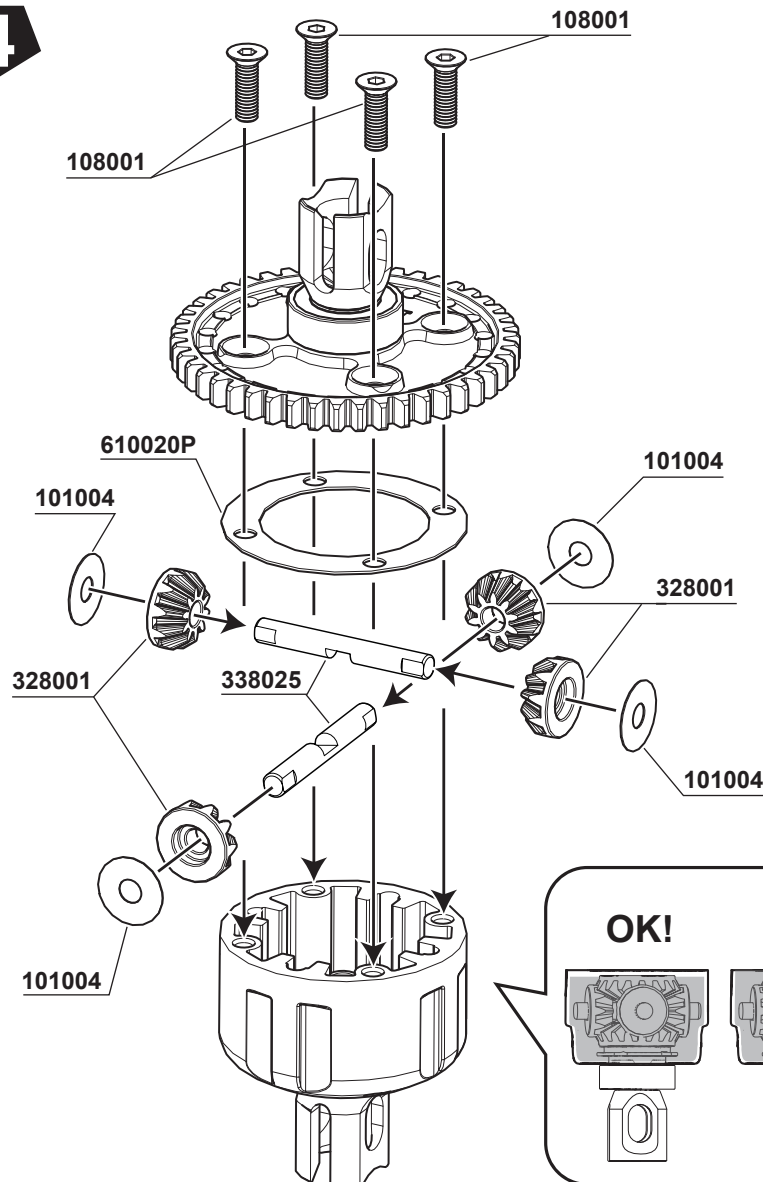
108001
M3x12mm FH/ST HEX Screw x4



338025
S35-3W Bevel Gear Shaft x4



101004
Washer 3.5X10X0.2mm x4



OK!

NG!

Fill the differentials with oil up to 80% above the satellite gears. Put the SWORKz Diff. Oil 1000cps for the center Diff.

Pro Tip:
Before installing the M5x4 set screw (104010),
remember to clean the set screw and center driver joint (330661A) first.
Then apply TLC on the set screw.



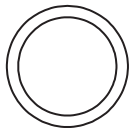
104010
M5x4mm Set Screw (Flat Bottom) **x1**



108001
M3x12mm FH/ST HEX Screw **x4**



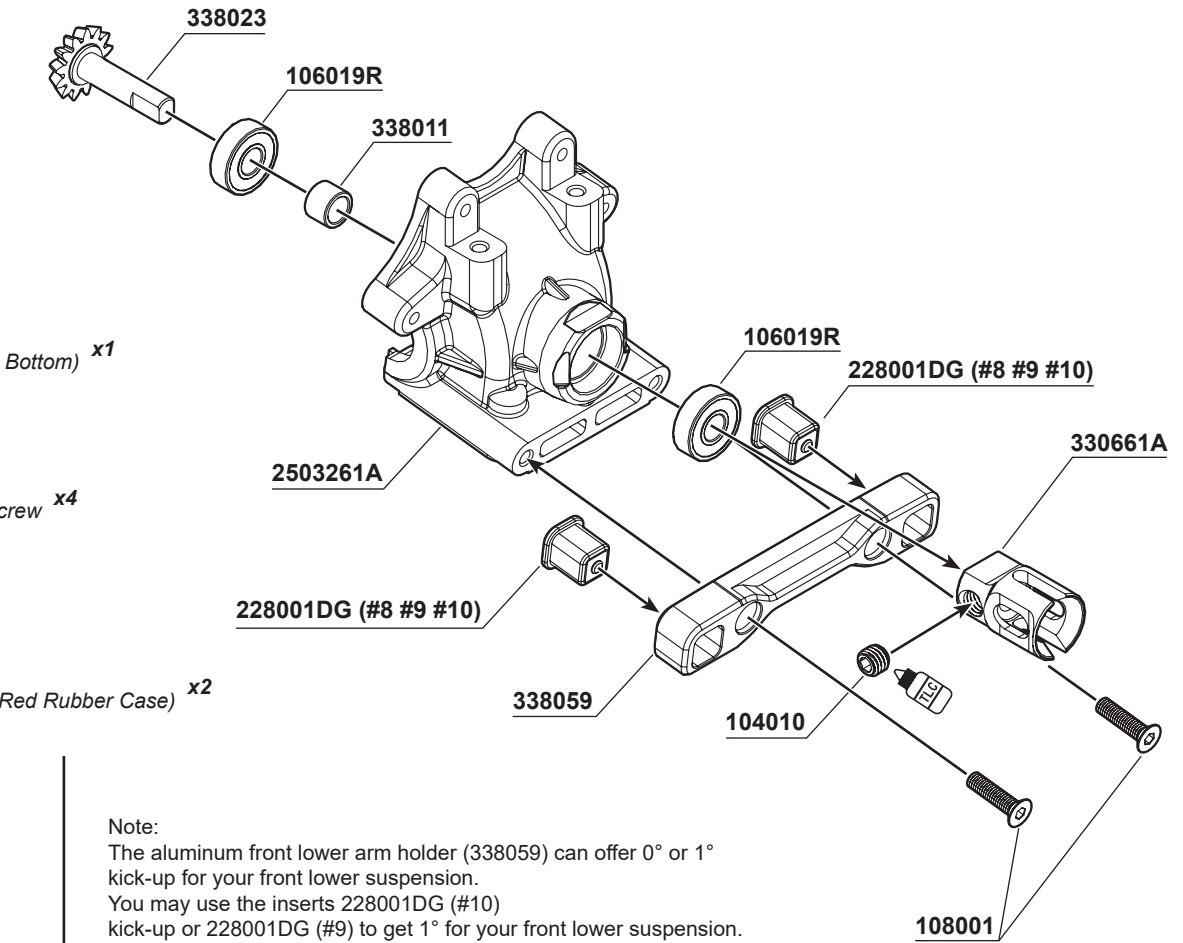
116019R
Ball Bearing 5x13x4mm (Red Rubber Case) **x2**



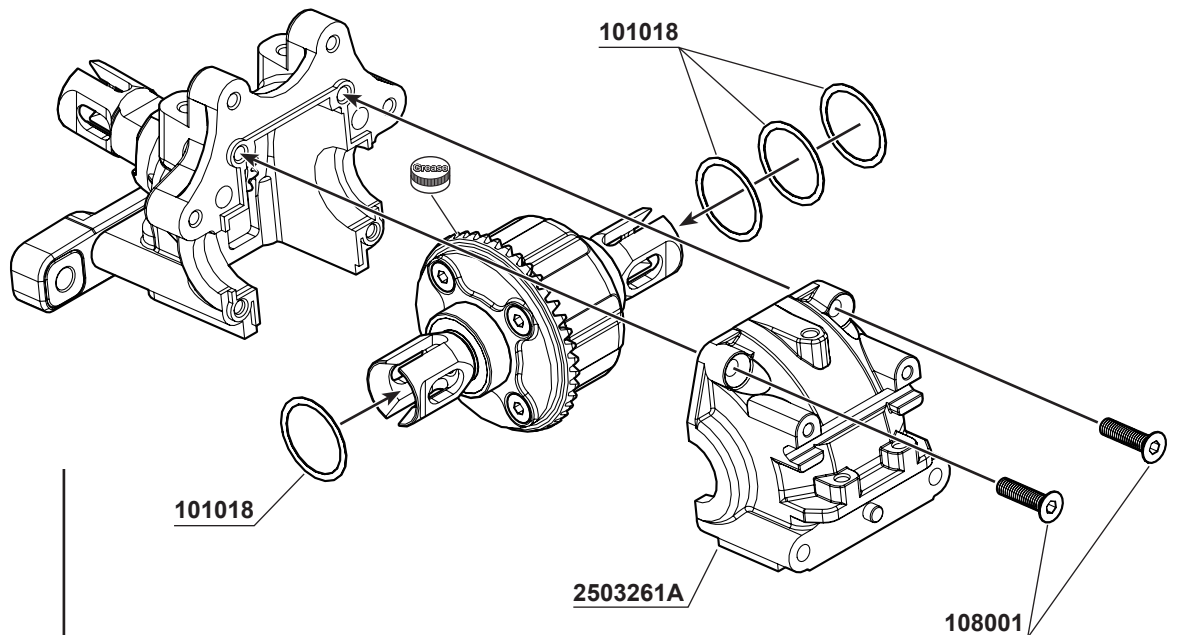
101018
SHIM 13x16x0.2mm **x4**



338011
S35 series Pinion Gear Stopper (5x7x5.1mm) **x1**



Note:
The aluminum front lower arm holder (338059) can offer 0° or 1°
kick-up for your front lower suspension.
You may use the inserts 228001DG (#10)
kick-up or 228001DG (#9) to get 1° for your front lower suspension.



Note:
101018SHIM 13x16x0.2mm
Please use 13x16x0.2mm shims to adjust the play between the crown gear and pinion gear.
Standard suggestion is 1pc shim on the diff crown gear side and 3 pcs on the other side.

6 Rear

Pro Tip:
Before installing the M5x4 set screw (104010), remember to clean the set screw and center driver joint (330661A) first. Then apply TLC on the set screw.

108001
M3x12mm FH/ST HEX Screw x2

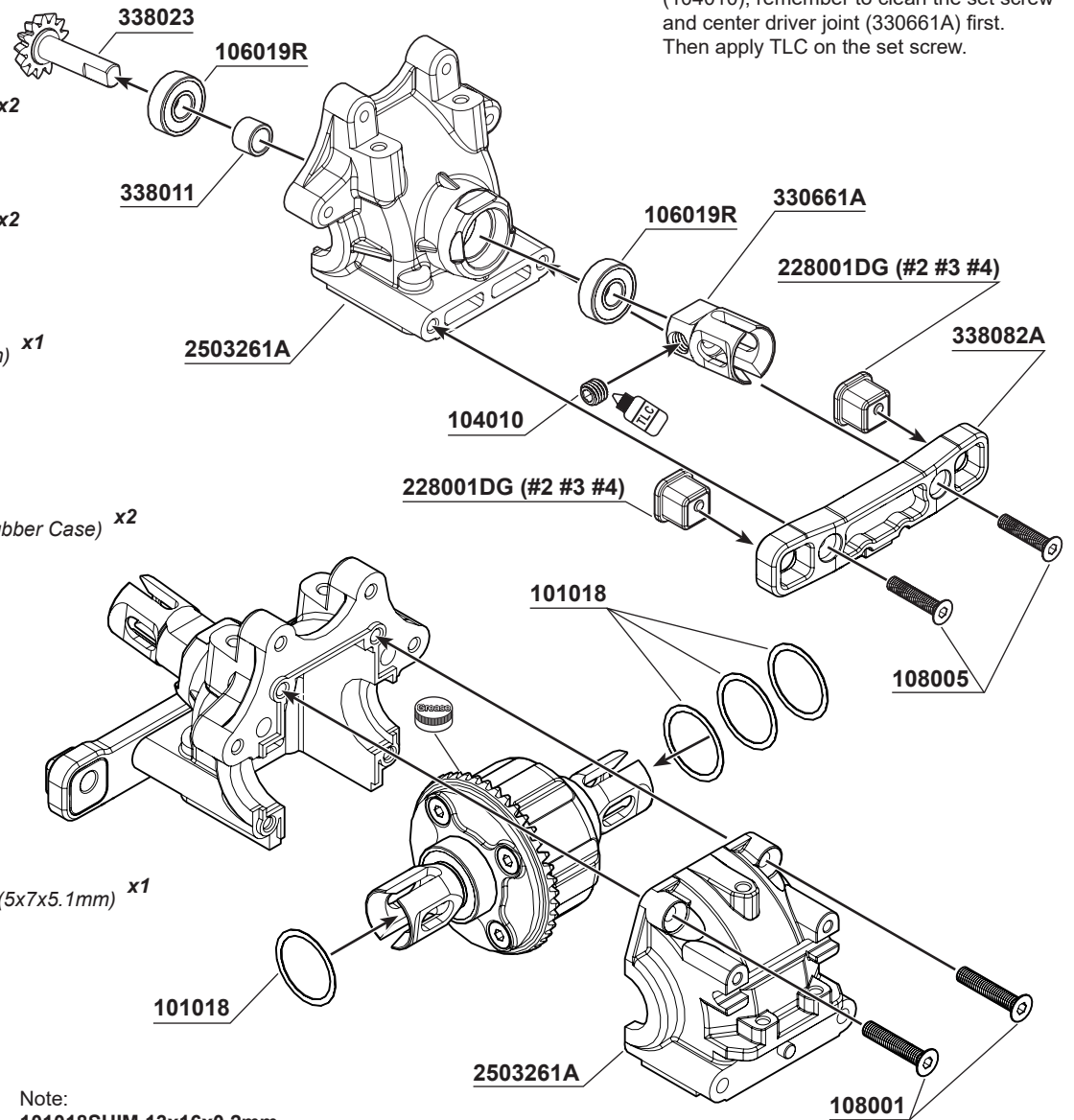
108005
M3x14mm FH/ST HEX Screw x2

104010
M5x4mm Set Screw (Flat Bottom) x1

116019R
Ball Bearing 5x13x4mm (Red Rubber Case) x2

101018
SHIM 13x16x0.2mm x4

338011
S35 series Pinion Gear Stopper (5x7x5.1mm) x1



Note:
101018SHIM 13x16x0.2mm
Please use 13x16x0.2mm shims to adjust the play between the crown gear and pinion gear. Standard suggestion is 1pc shim on the diff crown gear side and 3 pcs on the other side.

BAG E1

7



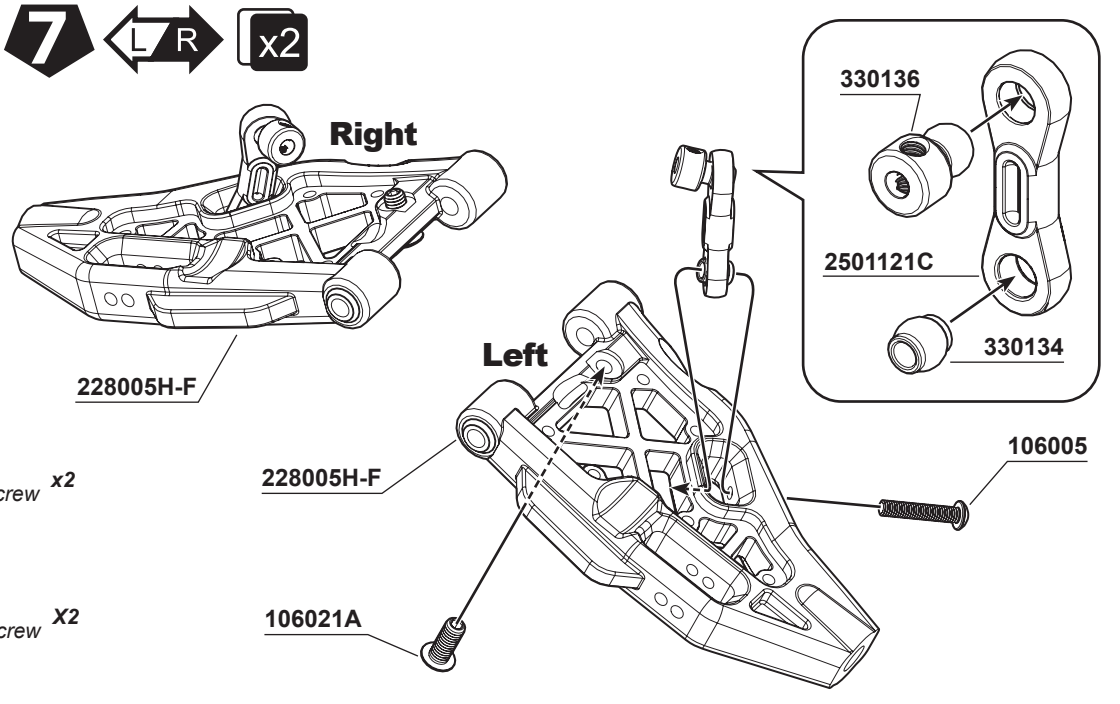
x2

Right

Left

106005
M3x15mm Hex Socket OH/TP Screw x2

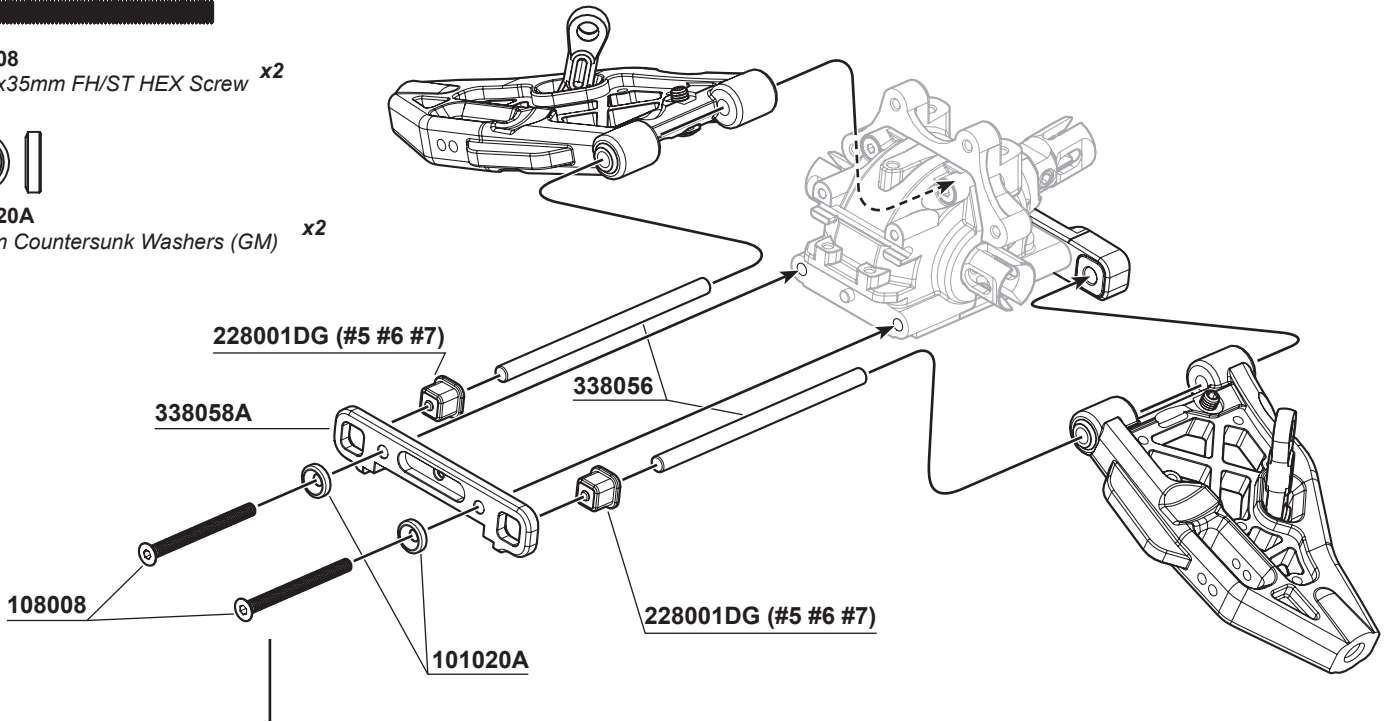
106021A
M4x10mm Hex Socket OH/TP Screw x2



108008
M3x35mm FH/ST HEX Screw x2



101020A
3mm Countersunk Washers (GM) x2



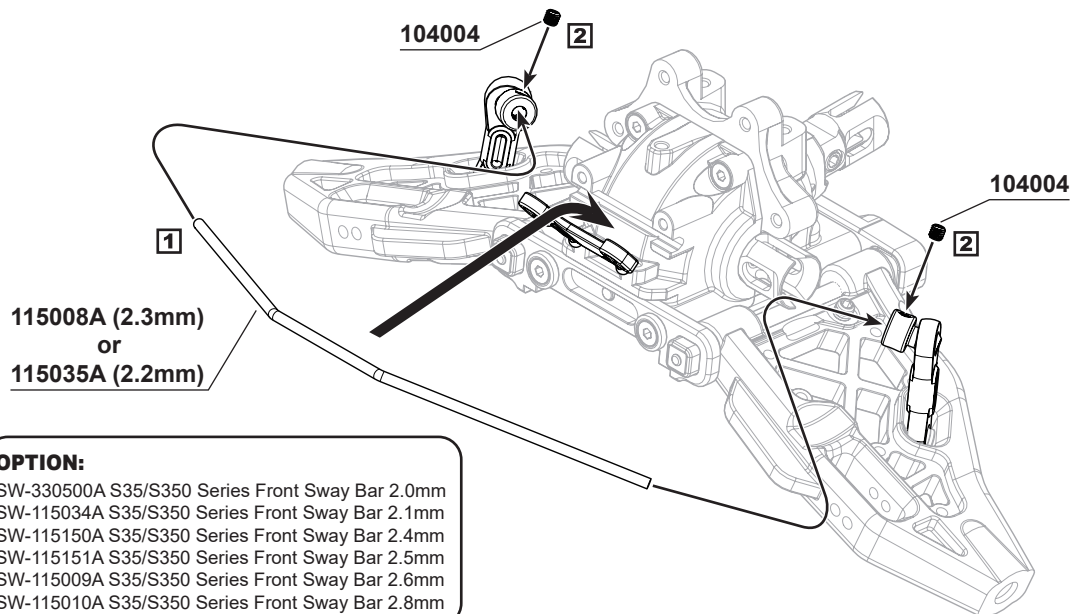
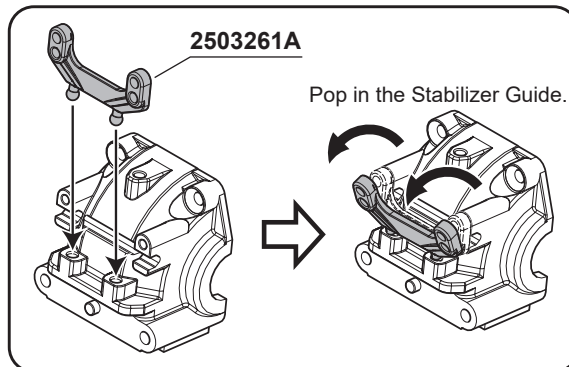
338056
S35-4 Series Lower Arm Hinge Pin (68.5mm) x2

OPTION:
SW-228005S-F S35-4 Series Front Lower Arm in Soft Material (1PC)
SW-228005M-F S35-4 Series Front Lower Arm in Medium Material (1PC)

9



104004
M3x3mm Set Screw x2



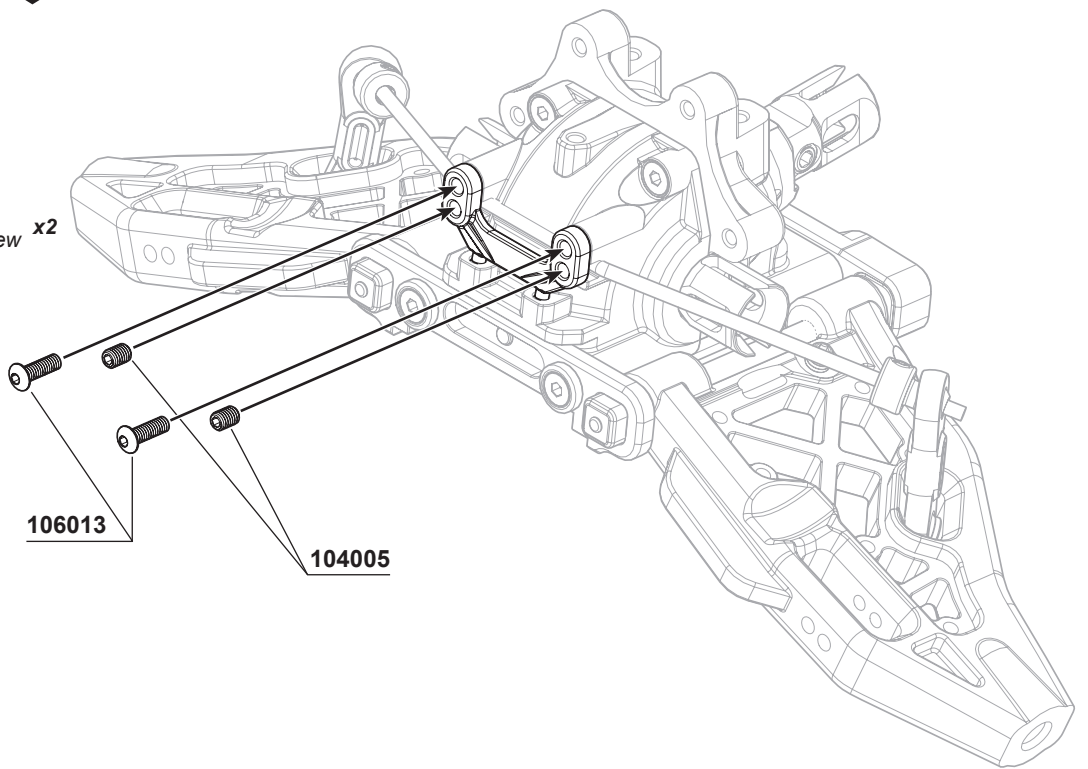
OPTION:
SW-330500A S35/S350 Series Front Sway Bar 2.0mm
SW-115034A S35/S350 Series Front Sway Bar 2.1mm
SW-115150A S35/S350 Series Front Sway Bar 2.4mm
SW-115151A S35/S350 Series Front Sway Bar 2.5mm
SW-115009A S35/S350 Series Front Sway Bar 2.6mm
SW-115010A S35/S350 Series Front Sway Bar 2.8mm



104005
M3x4mm Set Screw x2



106013
M2.5x8mmH ex Socket OH/TPScrew x2



x2



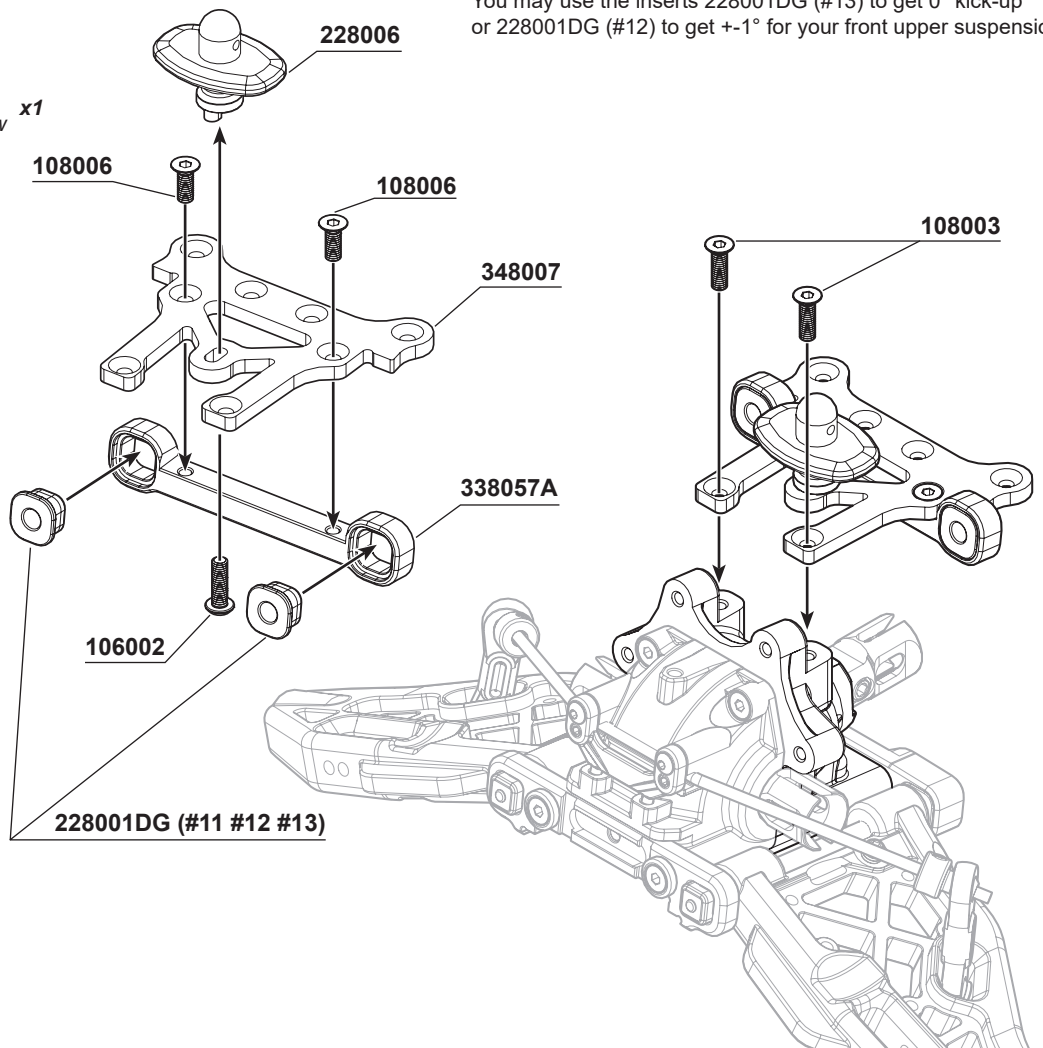
106002
M3x10mm Hex Socket OH/TP Screw x1



108003
M3x10mm FH/ST HEX Screw x2



108006
M3x8mm FH/ST HEX Screw x2



Note:
The aluminum front upper arm holder (338057A) can offer either 0° or + -1° kick-up for your front upper arm suspension. You may use the inserts 228001DG (#13) to get 0° kick-up or 228001DG (#12) to get + -1° for your front upper suspension.

PRO TIP:

The S35-4 EVO Front Upper Arm Adjust Inserts can give different steering adjustments (Ackerman). Put all inserts behind the front upper arms, you will get faster steering response. Otherwise put all inserts in front of the upper arms, you will get more stable steering response. Try to use 2503260-1 or 2503260-3 to adjust the front upper arm position.



108001
M3x12mm FH/ST HEX Screw x4



106015
M3x5mm Hex Socket OH/TP Screw x2



330119
Front Upper Arm Hinge Pin x2

228001DG (#14 #15 #16)

106015

108001

338112

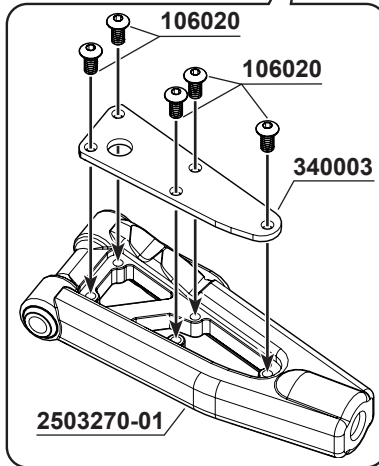
330119

228001DG (#14 #15 #16)

106015

2503260 (#1 #2 #3 #4)

2503260 (#1 #2 #3 #4)



OPTION:
SW-340003A S35-3 Series Pro-composite Carbon Front Upper Arm Cover (1.5mm)(2PC)

OPTION:
SW-2503270-01H S35-3 Series Front Upper Arms With Hard Material (2PC)

Note:
2503260-1
S35-3 Front Upper Arm Adjust Insert (0.9mm)
2503260-2
S35-3 Front Upper Arm Adjust Insert (1.0mm)
2503260-3
S35-3 Front Upper Arm Adjust Insert (1.1mm)
2503260-4
S35-3 Front Upper Arm Adjust Insert (2.0mm)

106020
M2.5x5mm Hex Socket OH/TP Screw x10



103004
M2.5mm Nut Lock x4



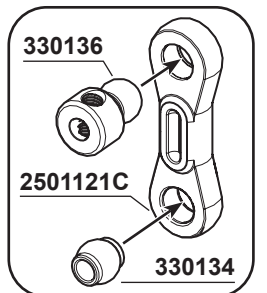
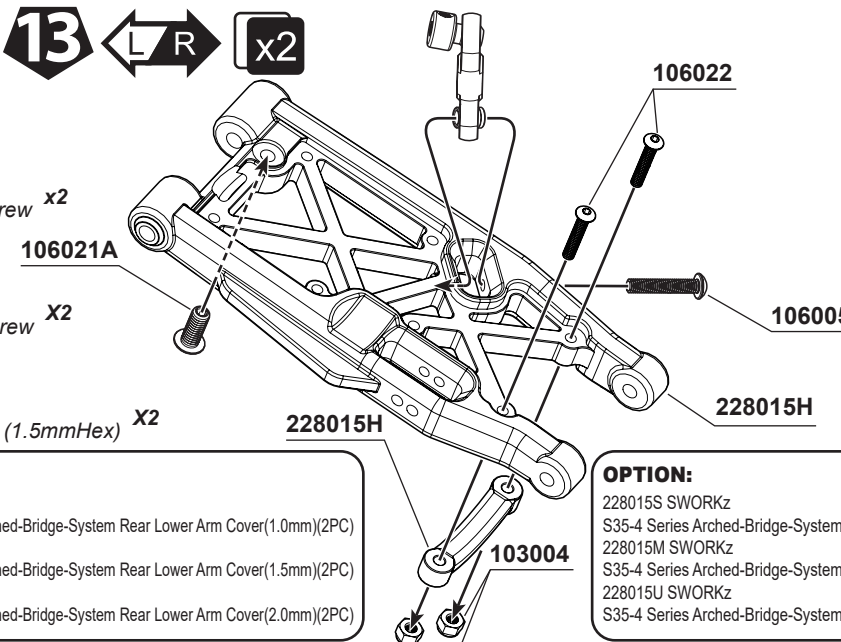
106005
M3x15mm Hex Socket OH/TP Screw x2



106021A
M4x10mm Hex Socket OH/TP Screw x2



106022
M2.5x14mm SOKET OH/ST Screw (1.5mmHex) x2



OPTION:
348003-10
SWORKz S35-4 Series Pro-composite Carbon Arched-Bridge-System Rear Lower Arm Cover (1.0mm)(2PC)
348003-15
SWORKz S35-4 Series Pro-composite Carbon Arched-Bridge-System Rear Lower Arm Cover (1.5mm)(2PC)
348003-20
SWORKz S35-4 Series Pro-composite Carbon Arched-Bridge-System Rear Lower Arm Cover (2.0mm)(2PC)

OPTION:
228015S SWORKz
S35-4 Series Arched-Bridge-System Rear Lower Arm Set (Soft)(1PC)
228015M SWORKz
S35-4 Series Arched-Bridge-System Rear Lower Arm Set (Medium)(1PC)
228015U SWORKz
S35-4 Series Arched-Bridge-System Rear Lower Arm Set (Ultra-Hard)(1PC)



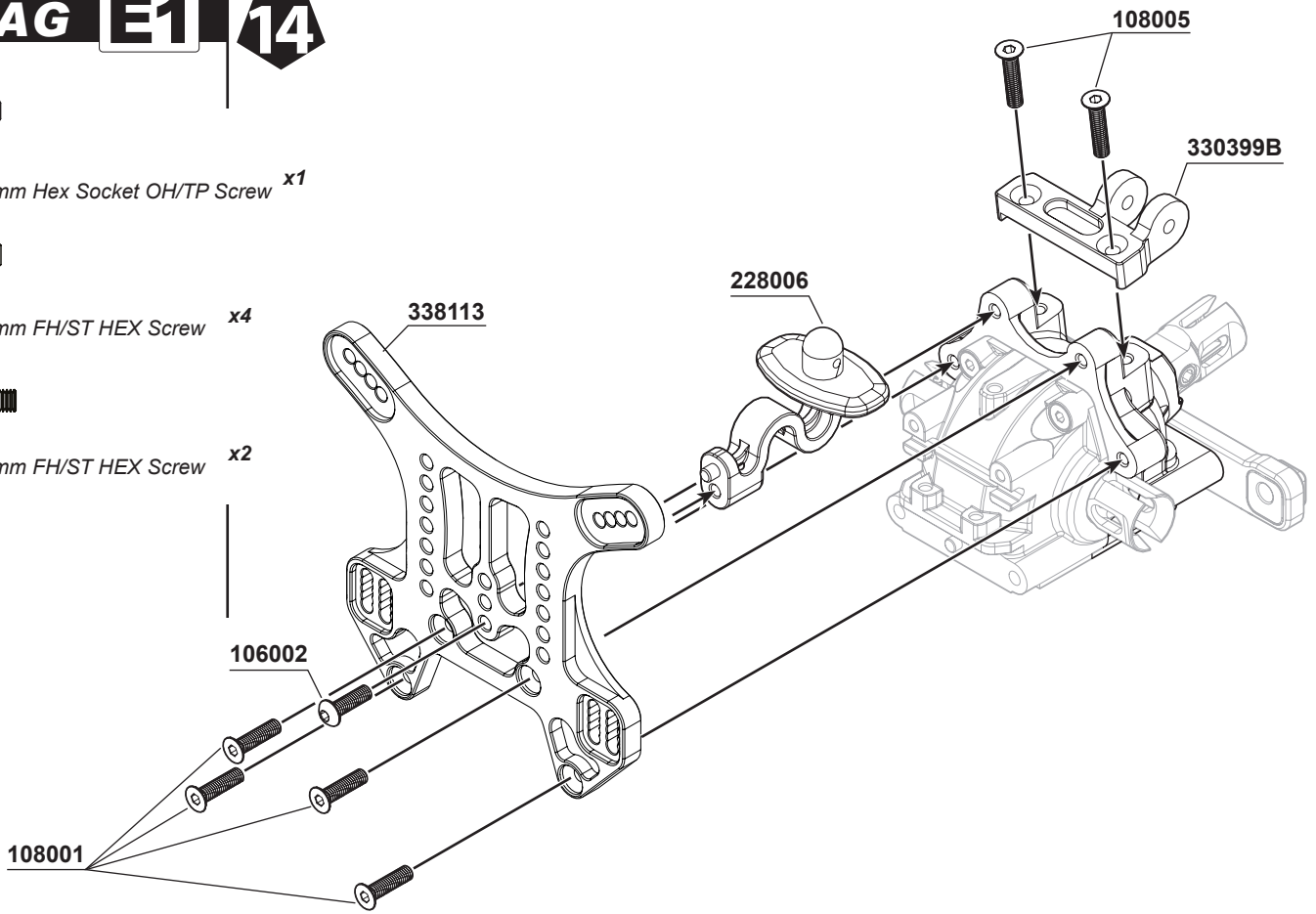
106002
M3x10mm Hex Socket OH/TP Screw x1



108001
M3x12mm FH/ST HEX Screw x4



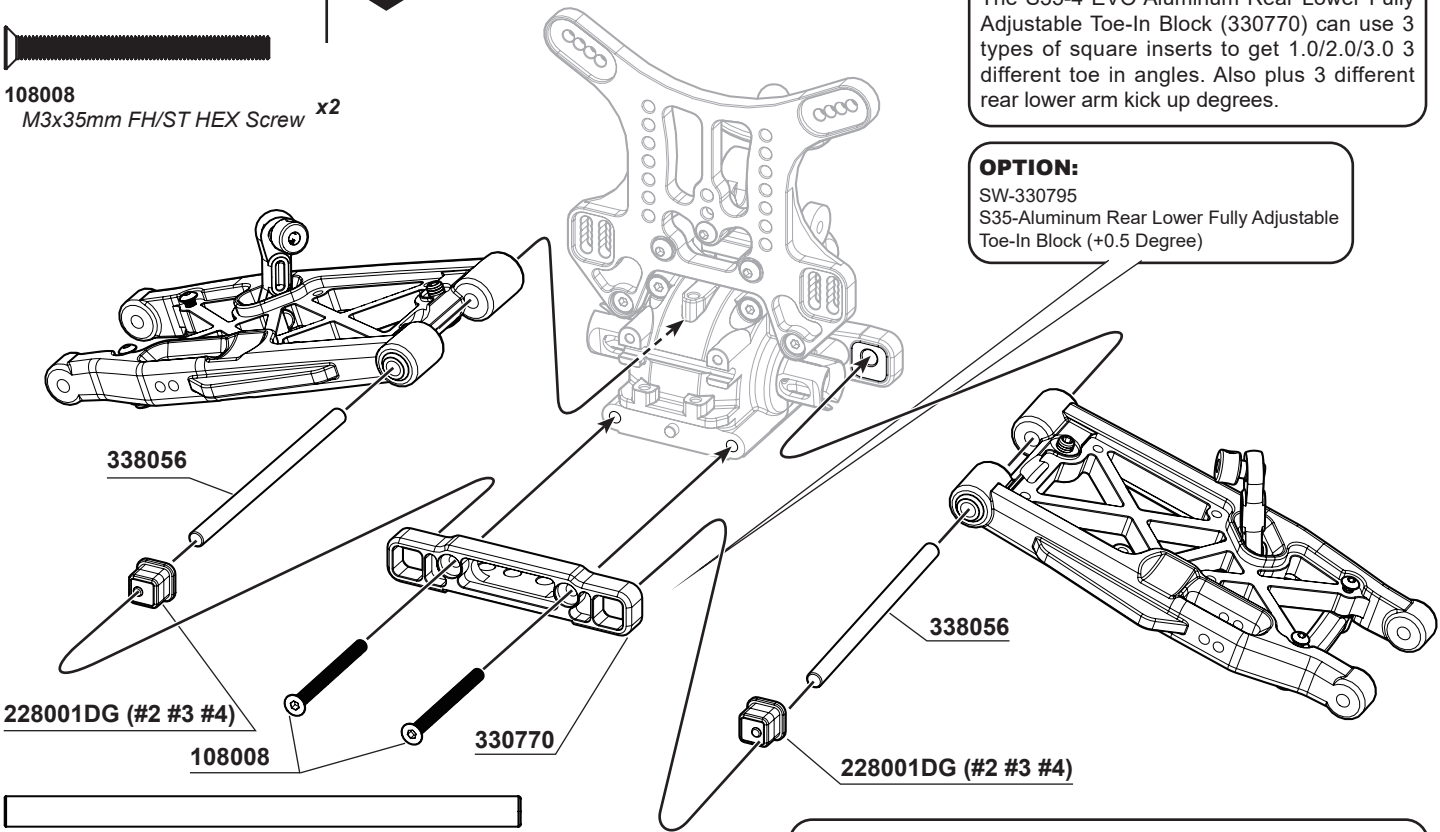
108005
M3x14mm FH/ST HEX Screw x2



15



108008
M3x35mm FH/ST HEX Screw x2



PRO TIP:
The S35-4 EVO Aluminum Rear Lower Fully Adjustable Toe-In Block (330770) can use 3 types of square inserts to get 1.0/2.0/3.0 3 different toe in angles. Also plus 3 different rear lower arm kick up degrees.

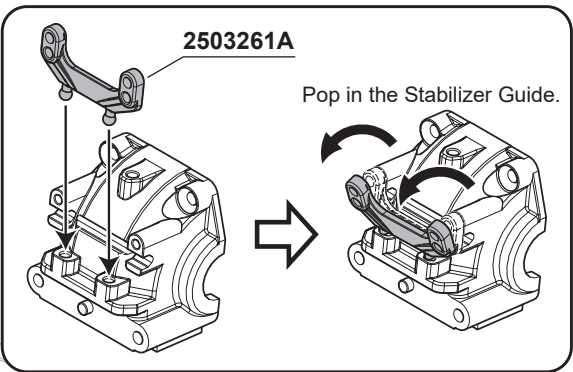
OPTION:
SW-330795
S35-Aluminum Rear Lower Fully Adjustable Toe-In Block (+0.5 Degree)

338056
S35-4 Series Lower Arm Hinge Pin (68.5mm) x2

PRO TIP:
228001DG-2 S35-4 Series Rear Lower Arm Holder Square Insert (+1/+1)
228001DG-3 S35-4 Series Rear Lower Arm Holder Square Insert (0/+1)
228001DG-4 S35-4 Series Rear Lower Arm Holder Square Insert (0)

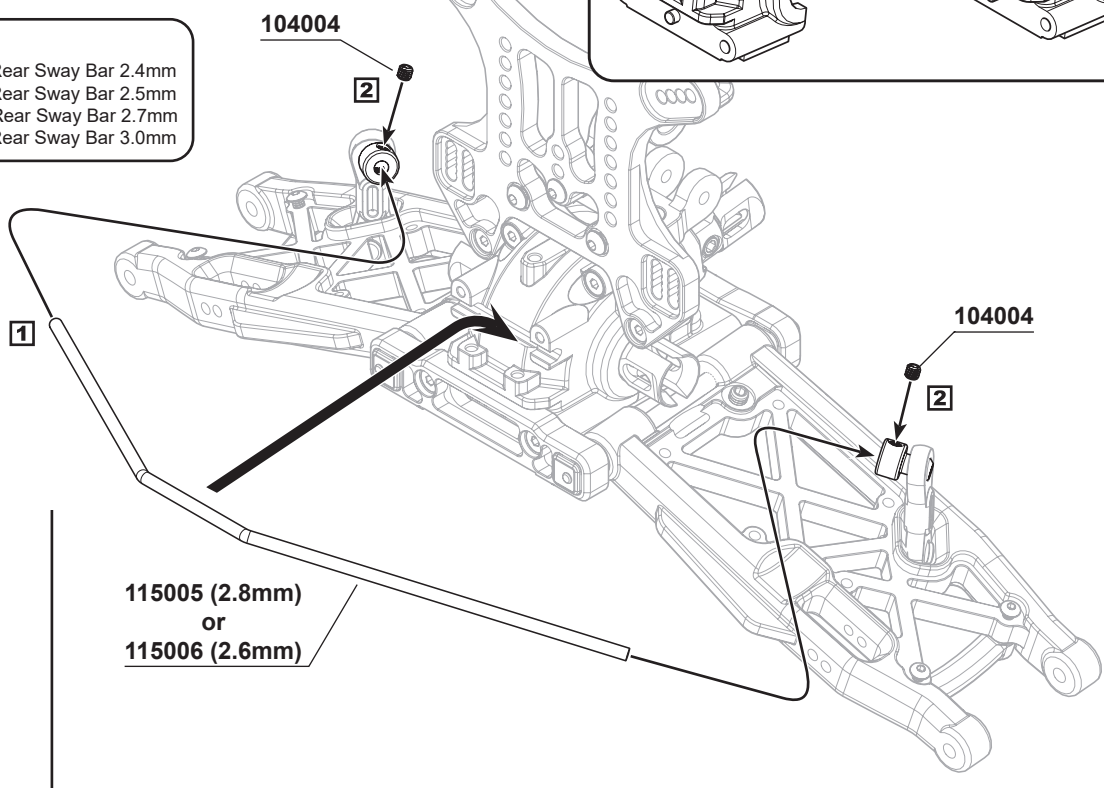


104004
M3x3mm Set Screw x2



OPTION:

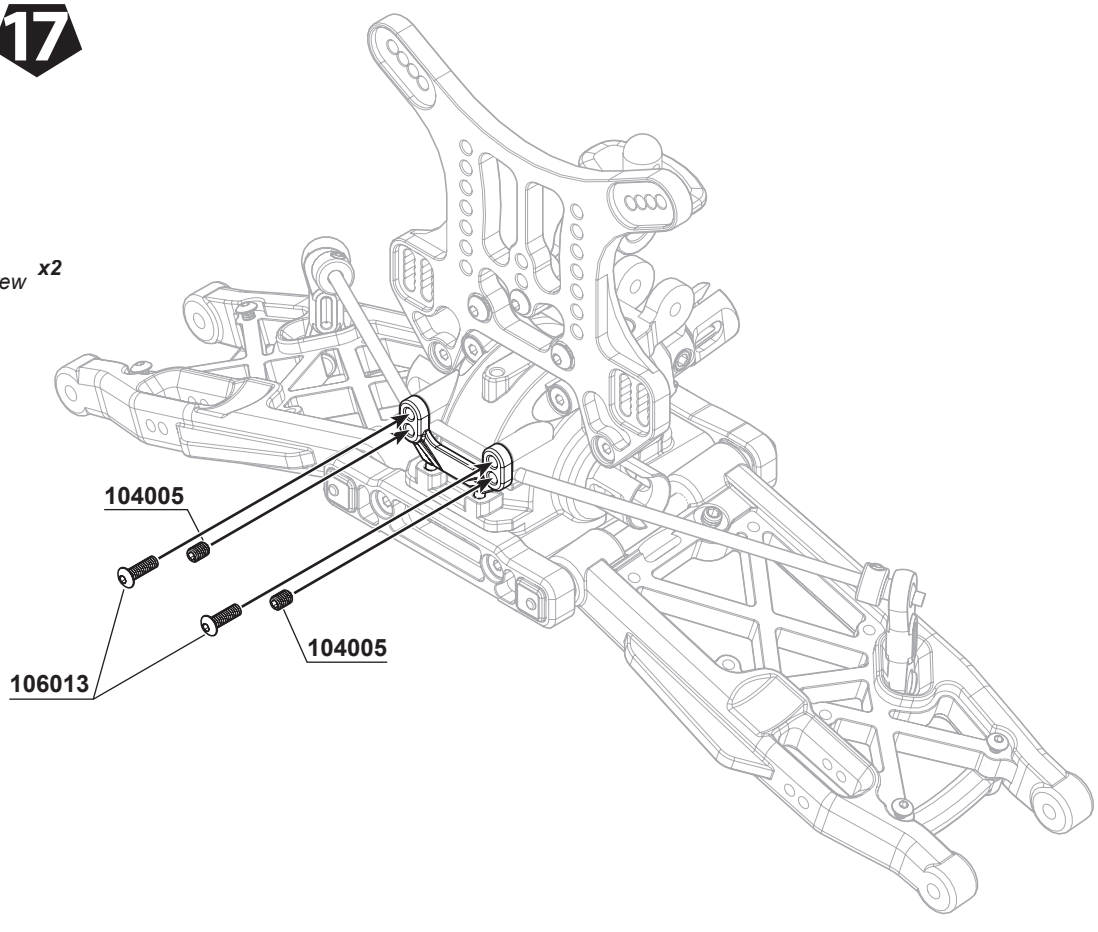
- SW-115046 S35/S350 Series Rear Sway Bar 2.4mm
- SW-115047 S35/S350 Series Rear Sway Bar 2.5mm
- SW-330499 S35/S350 Series Rear Sway Bar 2.7mm
- SW-115007 S35/S350 Series Rear Sway Bar 3.0mm



104005
M3x4mm Set Screw x2



106013
M2.5x8mmH ex Socket OH/TPScrew x2



BAG E2

18

PRO TIP:

For some track corner conditions, you may need a big steering angle, there is an option part SW-338124P will give you the solution.



103001
M3 Nut Lock x2



101012
M3x6xT0.6mm x2



117003
Flange Ball Bearing 3x6x2.5mm x4



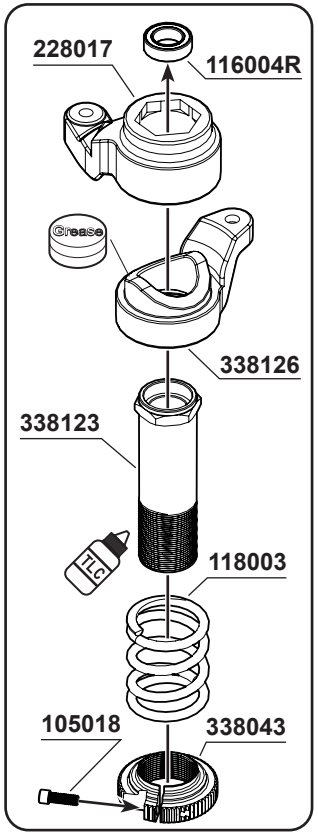
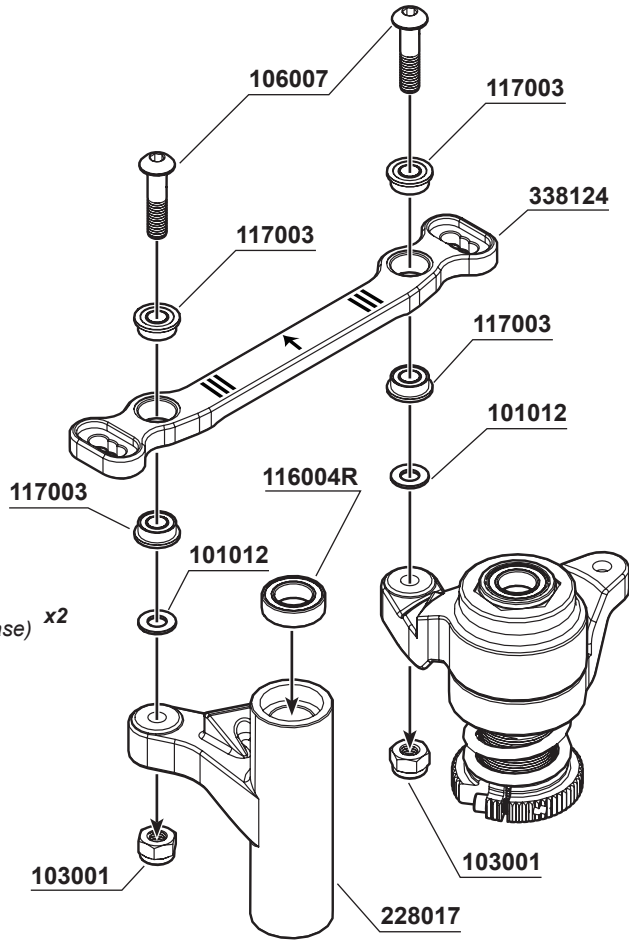
106007
M3x12mm Hex Socket
OH/TP Screw(HT) x2



116004R
Ball Bearing 6x10x3mm (Red Rubber Case) x2



105018
M2x6mm Cap Screw x1



OPTION:
SW-338124P S35-4/e EVO Series
T7 Aluminum Pro Steering Plate

BAG E2

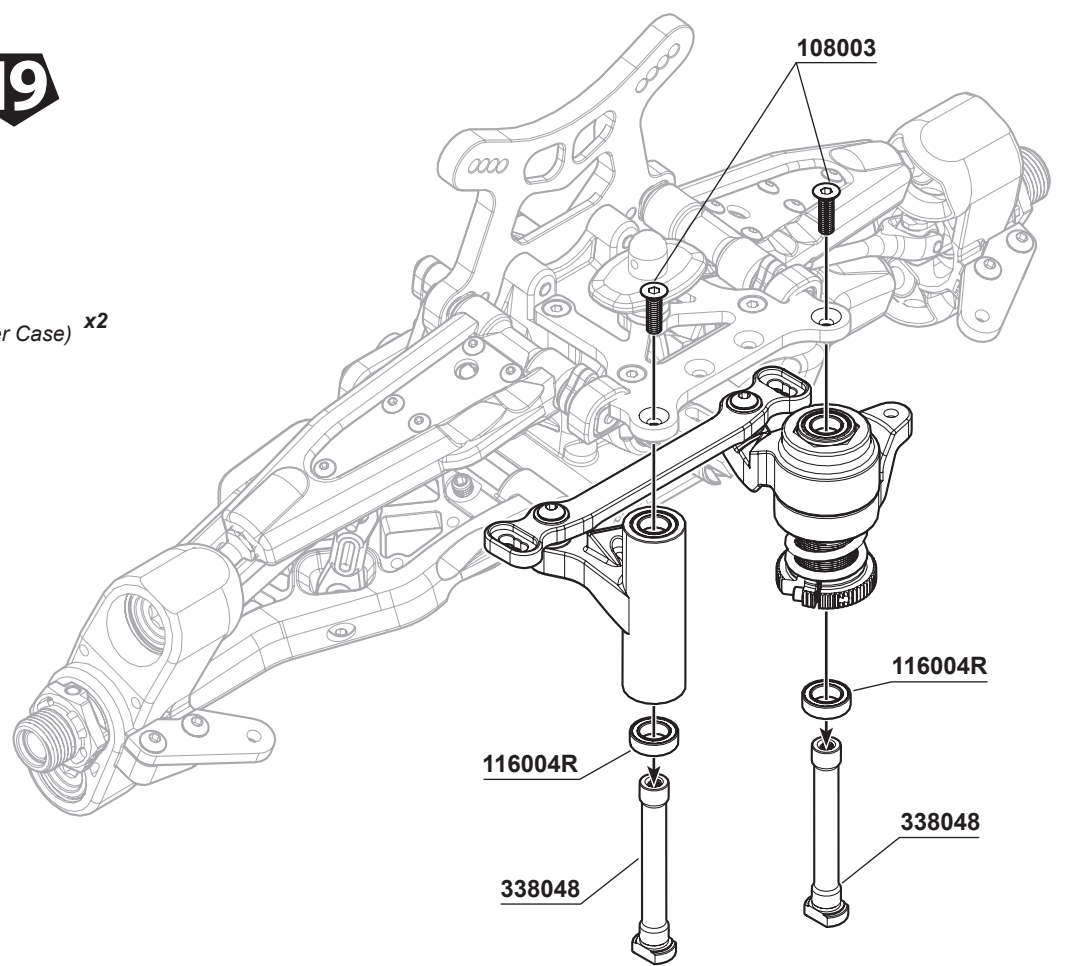
19



108003
M3x10mm FH/ST HEX Screw x2

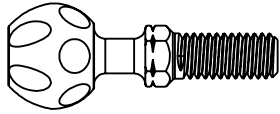


116004R
Ball Bearing 6x10x3mm (Red Rubber Case) x2

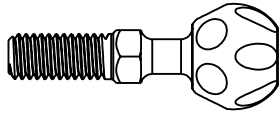




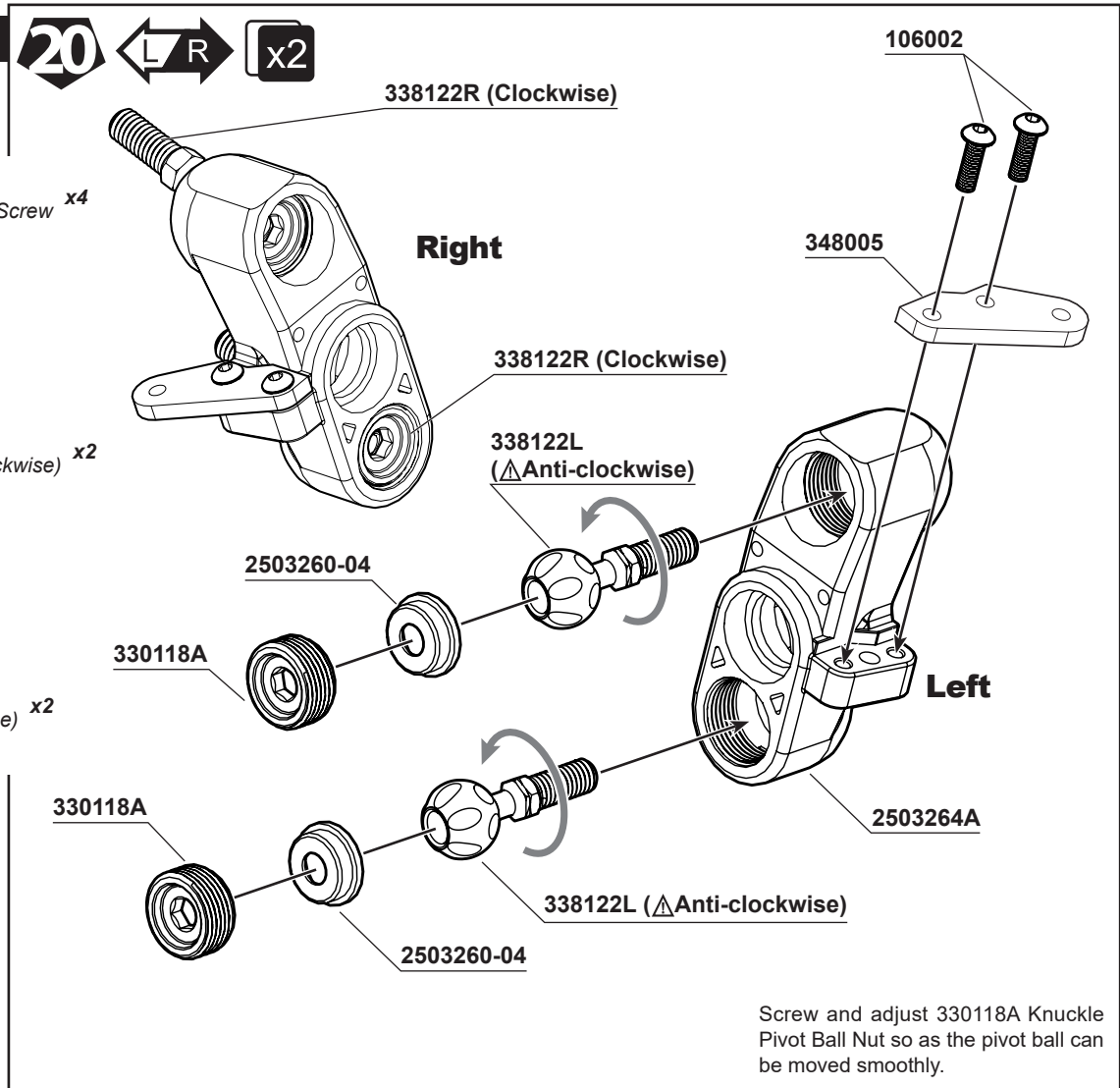
106002
M3x10mm Hex Socket OH/TP Screw x4



338122L
S35/S350/Apollo Series
Lightened Steering Knuckle
Pivot Ball Turnbuckle (Anti-clockwise) x2



338122R
S35/S350/Apollo Series
Lightened Steering Knuckle
Pivot Ball Turnbuckle (Clockwise) x2



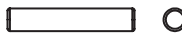
Screw and adjust 330118A Knuckle Pivot Ball Nut so as the pivot ball can be moved smoothly.



116006R
Ball Bearing 8x16x5mm (Red Rubber Case) x4



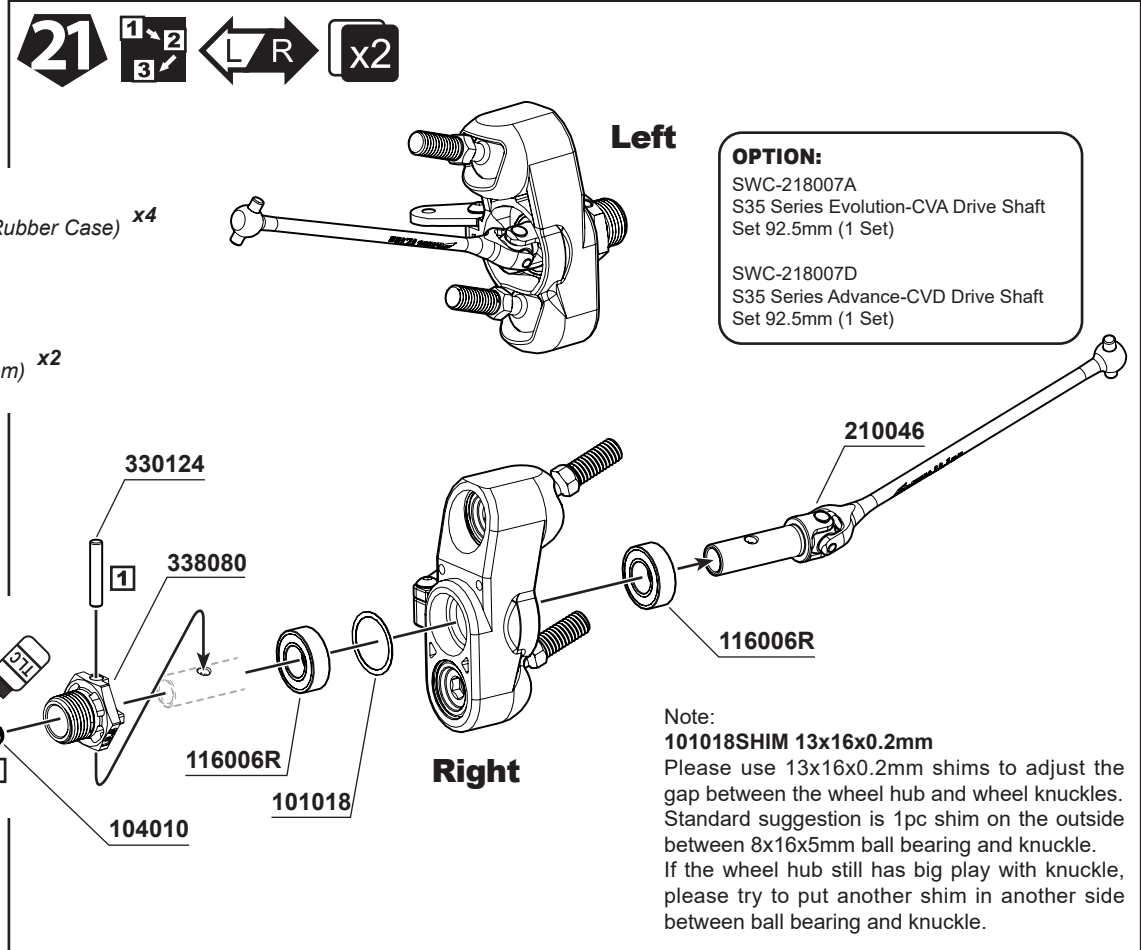
104010
M5x4mm Set Screw (Flat Bottom) x2



330124
Pin M3.0x16.8mm x2



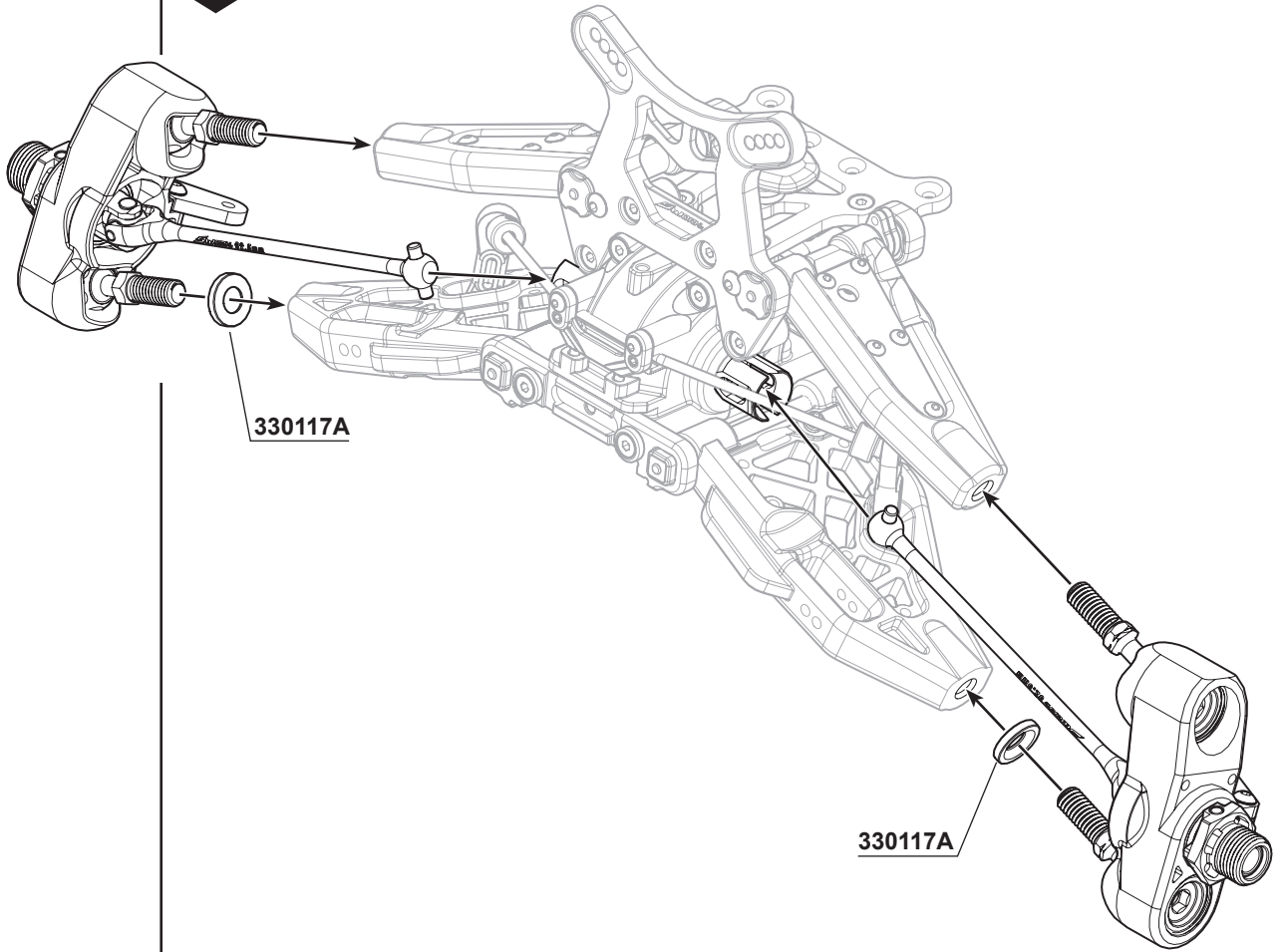
101018
SHIM 13x16x0.2mm x2



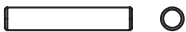
OPTION:
SWC-218007A
S35 Series Evolution-CVA Drive Shaft
Set 92.5mm (1 Set)

SWC-218007D
S35 Series Advance-CVD Drive Shaft
Set 92.5mm (1 Set)

Note:
101018SHIM 13x16x0.2mm
Please use 13x16x0.2mm shims to adjust the gap between the wheel hub and wheel knuckles. Standard suggestion is 1pc shim on the outside between 8x16x5mm ball bearing and knuckle. If the wheel hub still has big play with knuckle, please try to put another shim in another side between ball bearing and knuckle.



104010
M5x4mm Set Screw (Flat Bottom) x2



330124
Pin M3.0x16.8mm x2



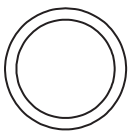
116006R
Ball Bearing 8x16x5mm (Red Rubber Case) x4



106009
M3x25mm Hex Socket OH/TP Screw x4



103001
M3 Nut Lock x4

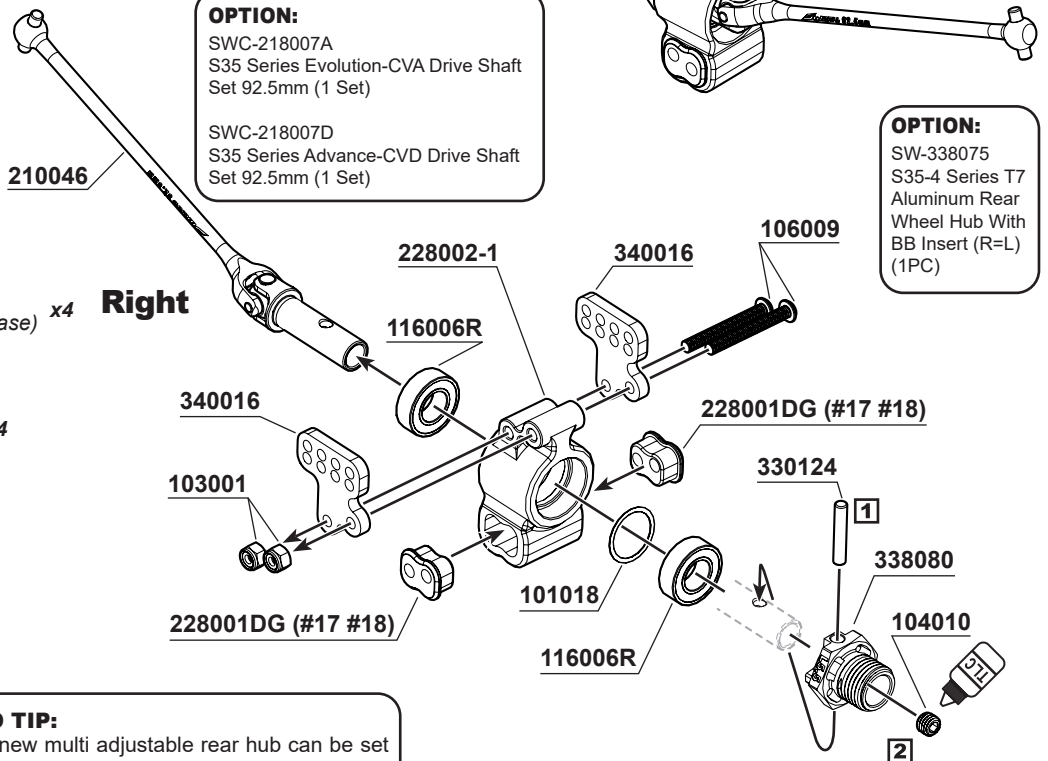


101018
SHIM 13x16x0.2mm x2

OPTION:
SWC-218007A
S35 Series Evolution-CVA Drive Shaft
Set 92.5mm (1 Set)

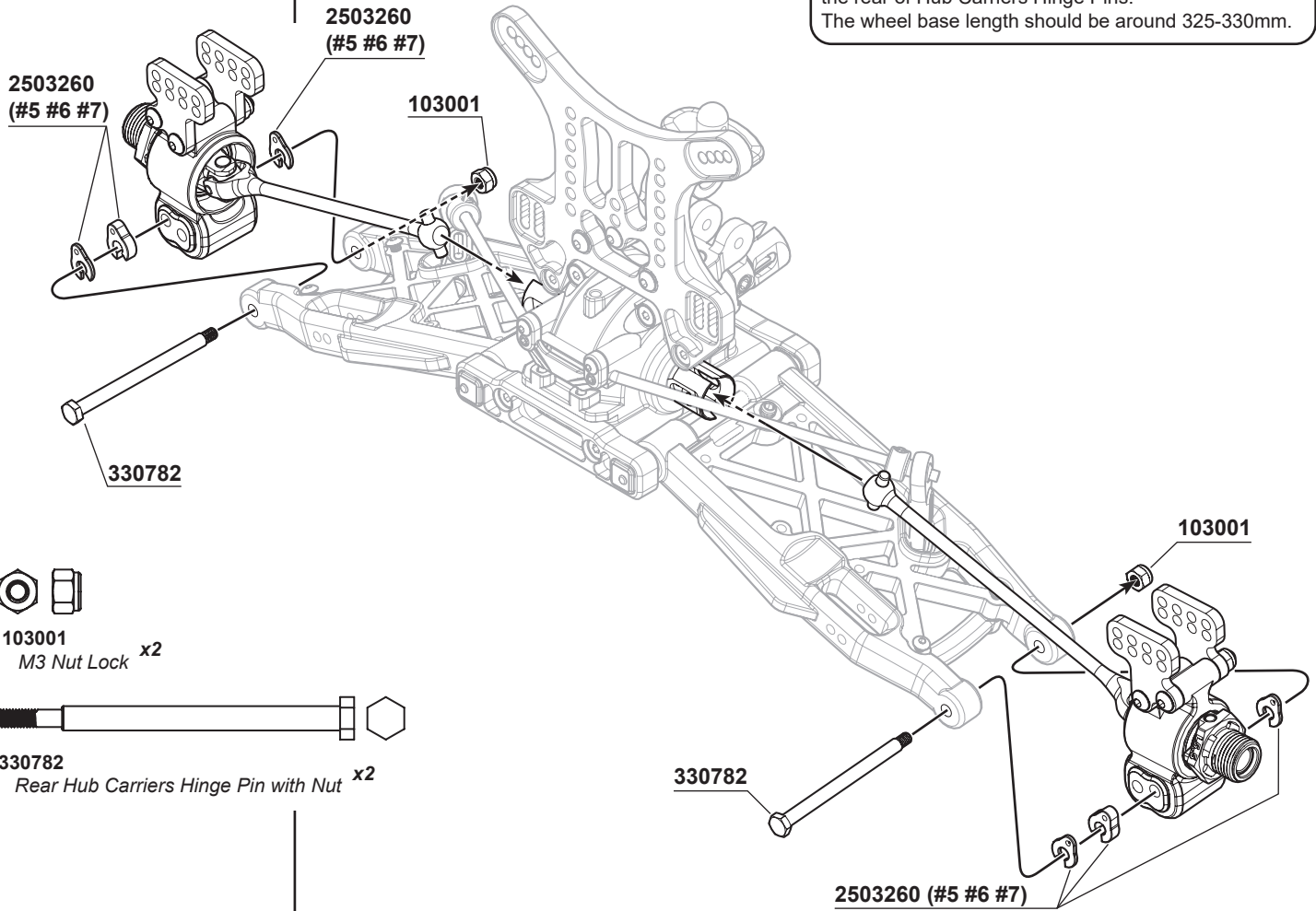
OPTION:
SWC-218007D
S35 Series Advance-CVD Drive Shaft
Set 92.5mm (1 Set)

OPTION:
SW-338075
S35-4 Series T7
Aluminum Rear
Wheel Hub With
BB Insert (R=L)
(1PC)

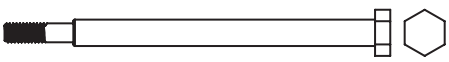


PRO TIP:
The new multi adjustable rear hub can be set to a wider or a narrow configuration using the inserts 228001DG (#17 #18)

PRO TIP:
The base set up is always by using 2-3mm inserts on the rear of Hub Carriers Hinge Pins.
The wheel base length should be around 325-330mm.



103001
M3 Nut Lock x2



330782
Rear Hub Carriers Hinge Pin with Nut x2

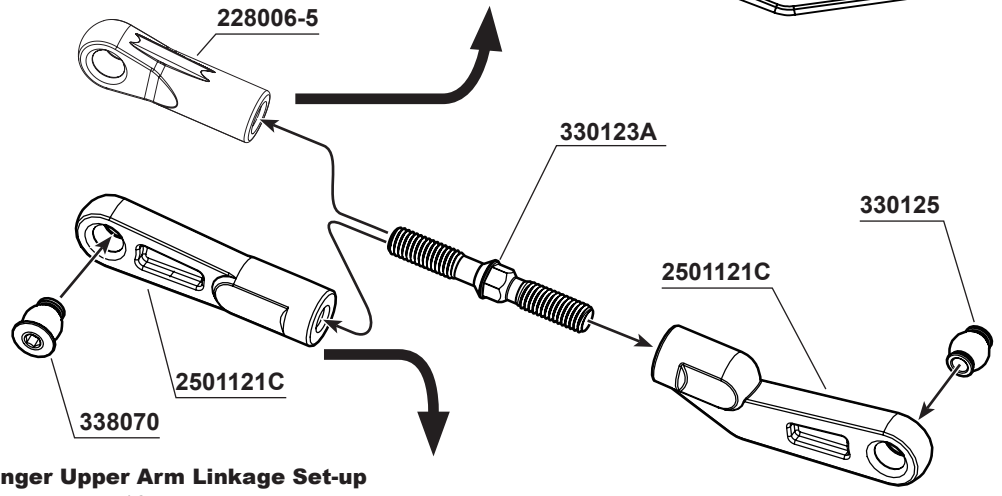
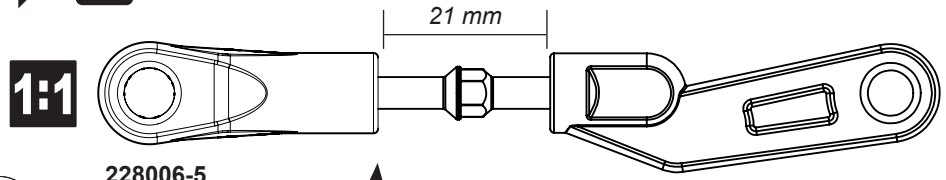
2503260 (#5 #6 #7)

25 **L/R** **x2**

Shorty Upper Arm Linkage Set-up

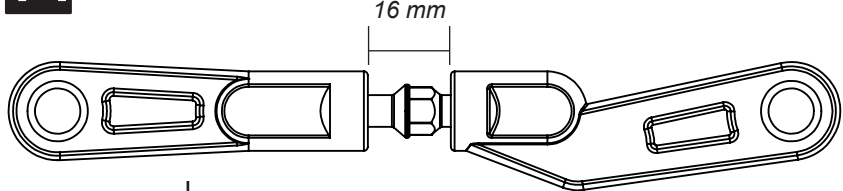


330123A
Rear Upper Sus. Arm Turnbuckles x2



1:1

Longer Upper Arm Linkage Set-up



PRO TIP:
The Shorty Upper Arm Linkage Set-up is good using for low grip condition.
The Longer Upper Arm Linkage Set-up is good using for high grip condition.

Longer Upper Arm Linkage Set-up



105012
M3x10mm Cap Screw x2



106009
M3x25mm Hex Socket OH/TP Screw x2



103001
M3 Nut Lock x2

106009

105012

228001DG

103001

228001DG

105012

106009

Shorty Upper Arm Linkage Set-up

OPTION:

SWC-338017
S35 Series T-6061AL Rear Hub Carry Insert (6mm)(2pc)

103001



103001
M3 Nut Lock x6



106003
M3x16mm Hex Socket OH/TP Screw x4



108019
M2.6x6mm Flat Head Screw - Hex Socket x2

103001

228003A

228003A(#3)

108019

228003A(#3)

228003A

103001

103001

228003A

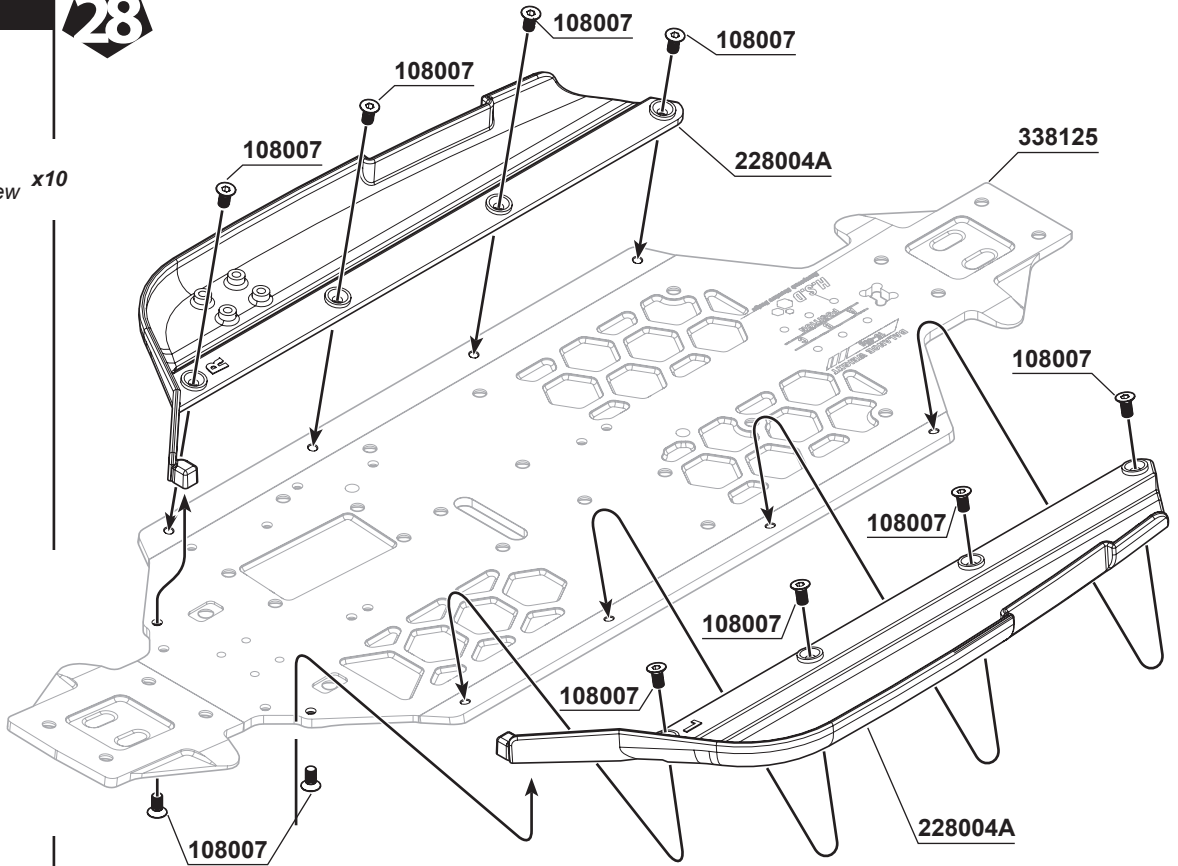
106003

OPTION:

228003A(#3) S35 Series Integrated Wing Mount Spacer (0 Degree)
228003A(#4) S35 Series Integrated Wing Mount Spacer (1 Degree)
228003A(#5) S35 Series Integrated Wing Mount Spacer (2 Degree)



108007
M3x6mm FH/ST HEX Screw x10



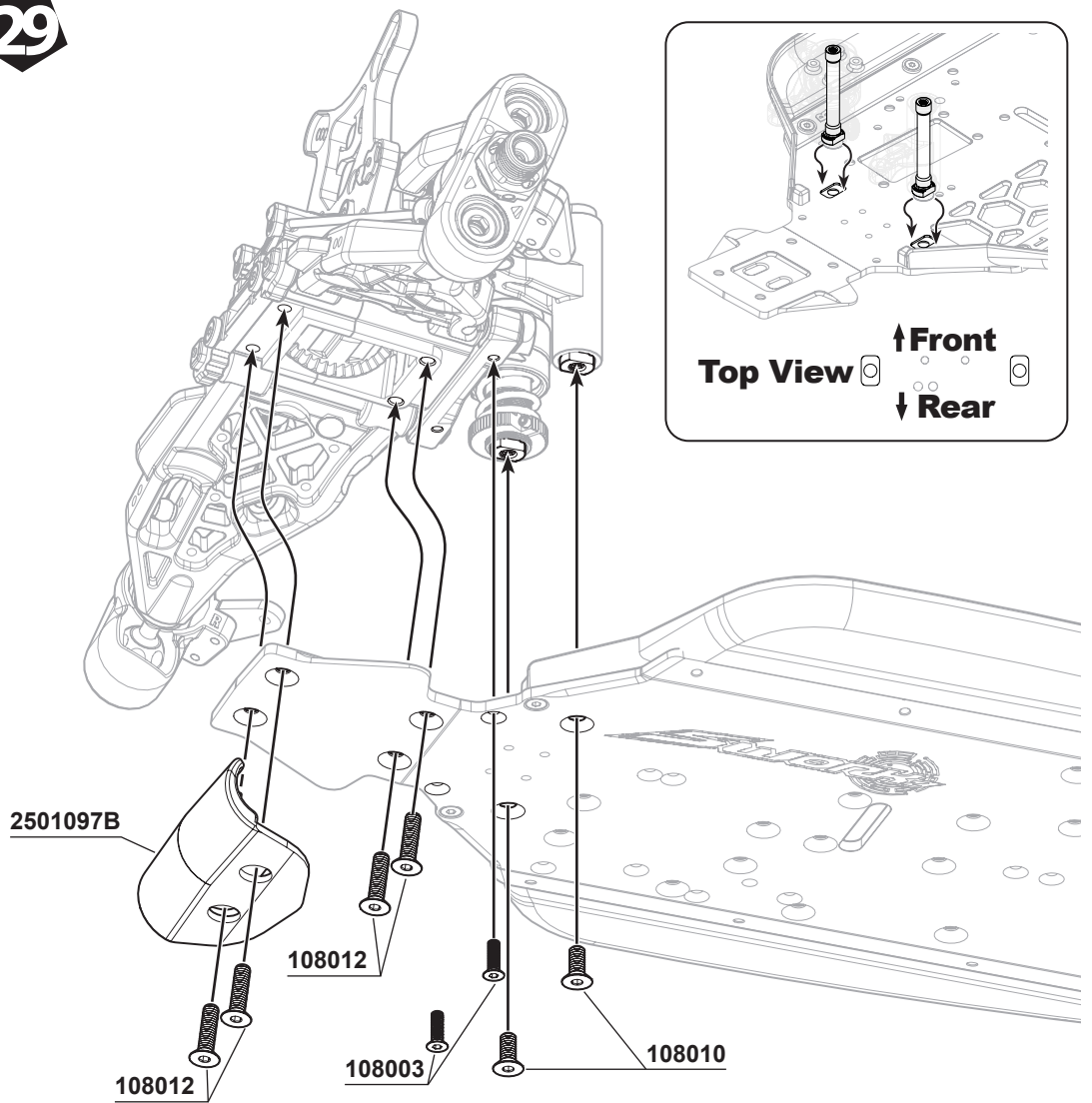
108003
M3x10mm FH/ST HEX Screw x2









108010
M4x10mm FH/ST HEX Screw x2

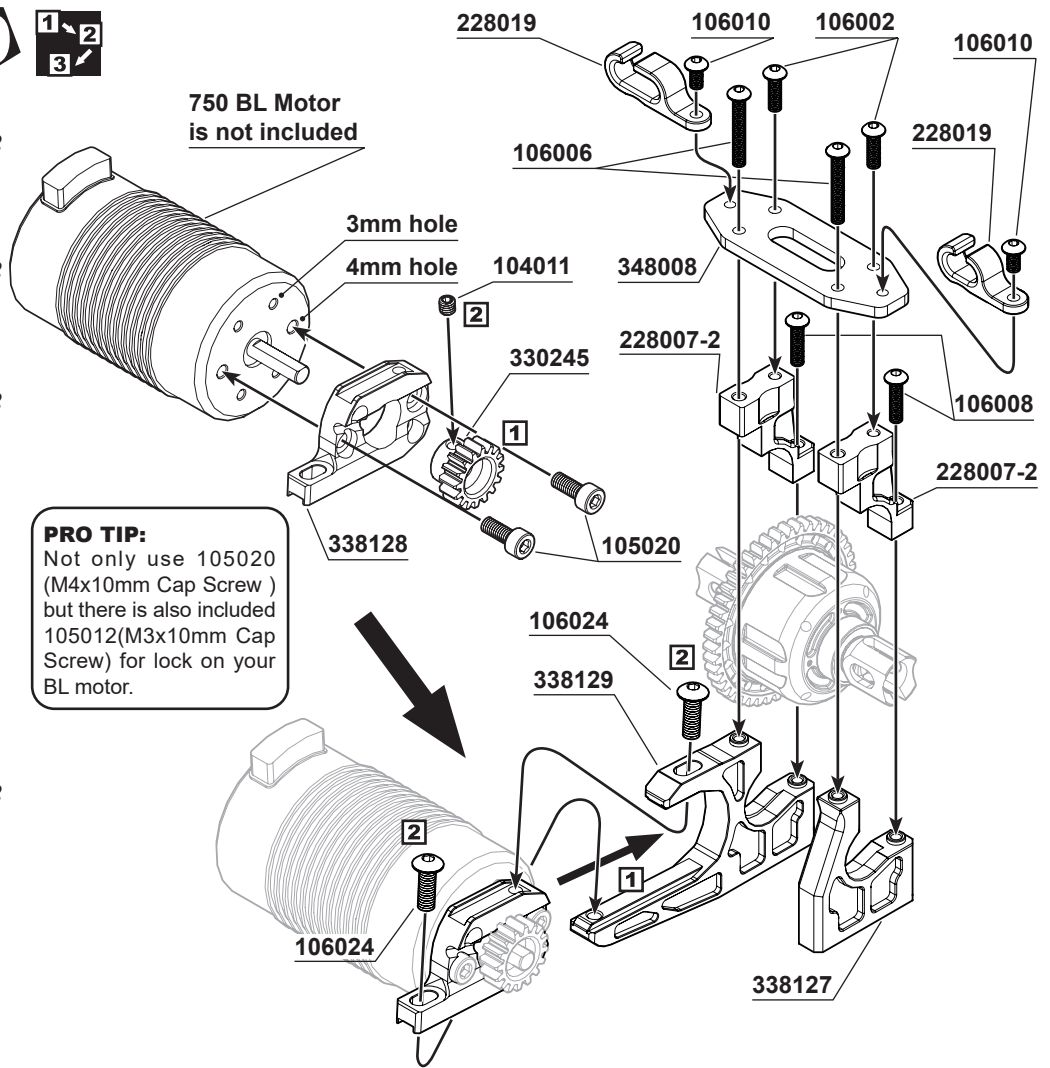




108012
M4x16mm FH/ST HEX Screw x4

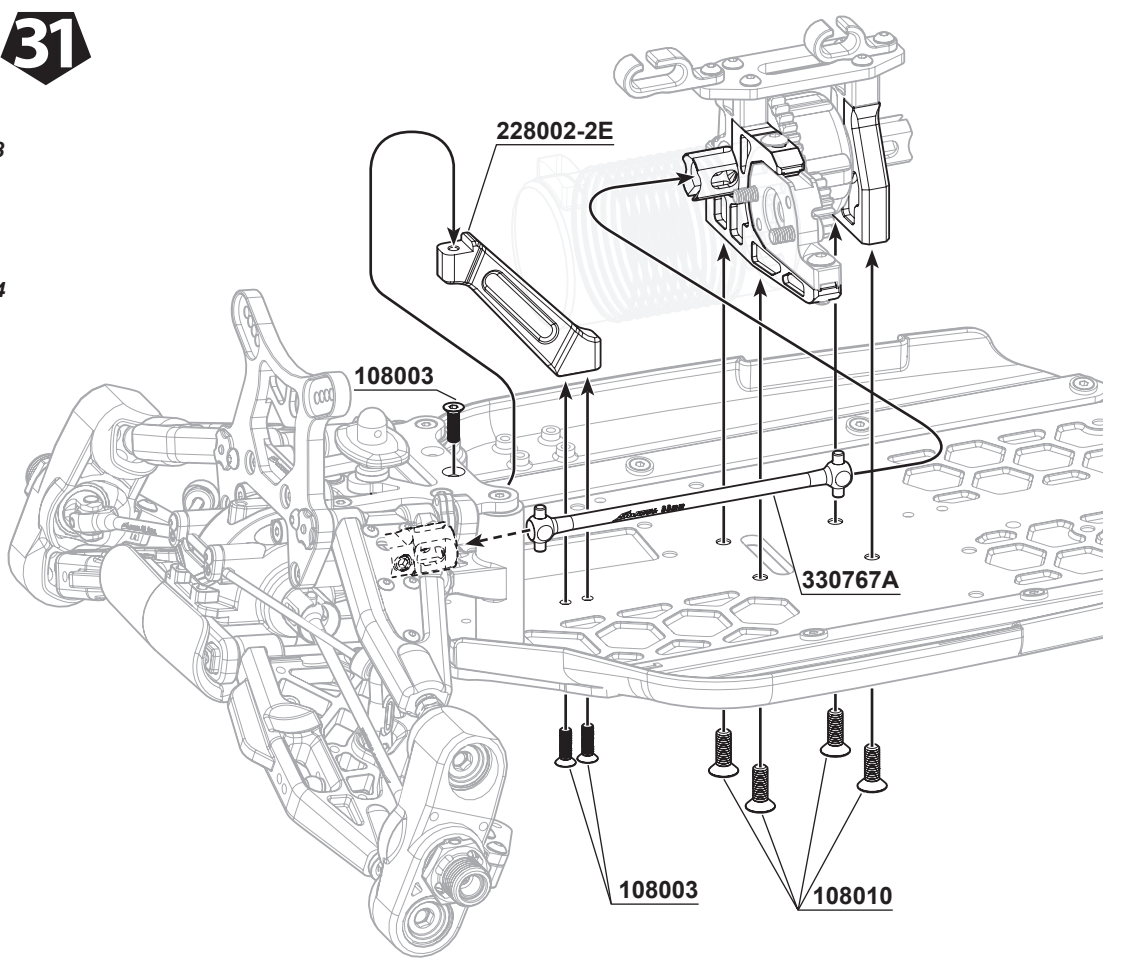


-  **106002**
M3x10mm Hex Socket OH/TP Screw x2
-  **106006**
M3x20mm Hex Socket OH/TP Screw x2
-  **106008**
M3x12mm Hex Socket OH/TP Screw x2
-  **106010**
M3x6mm Hex Socket OH/TP Screw x2
-  **104011**
M4x4mm Set Screw (Flat Bottom) x1
-  **106024**
M4x12mm Hex Socket OH/TP Screw x2
-  **105020**
M4x10mm Cap Screw x2

750 BL Motor
is not included



-  **108003**
M3x10mm FH/ST HEX Screw x3
-  **108010**
M4x10mm FH/ST HEX Screw x4





106006
M3x20mm Hex Socket OH/TP Screw x2



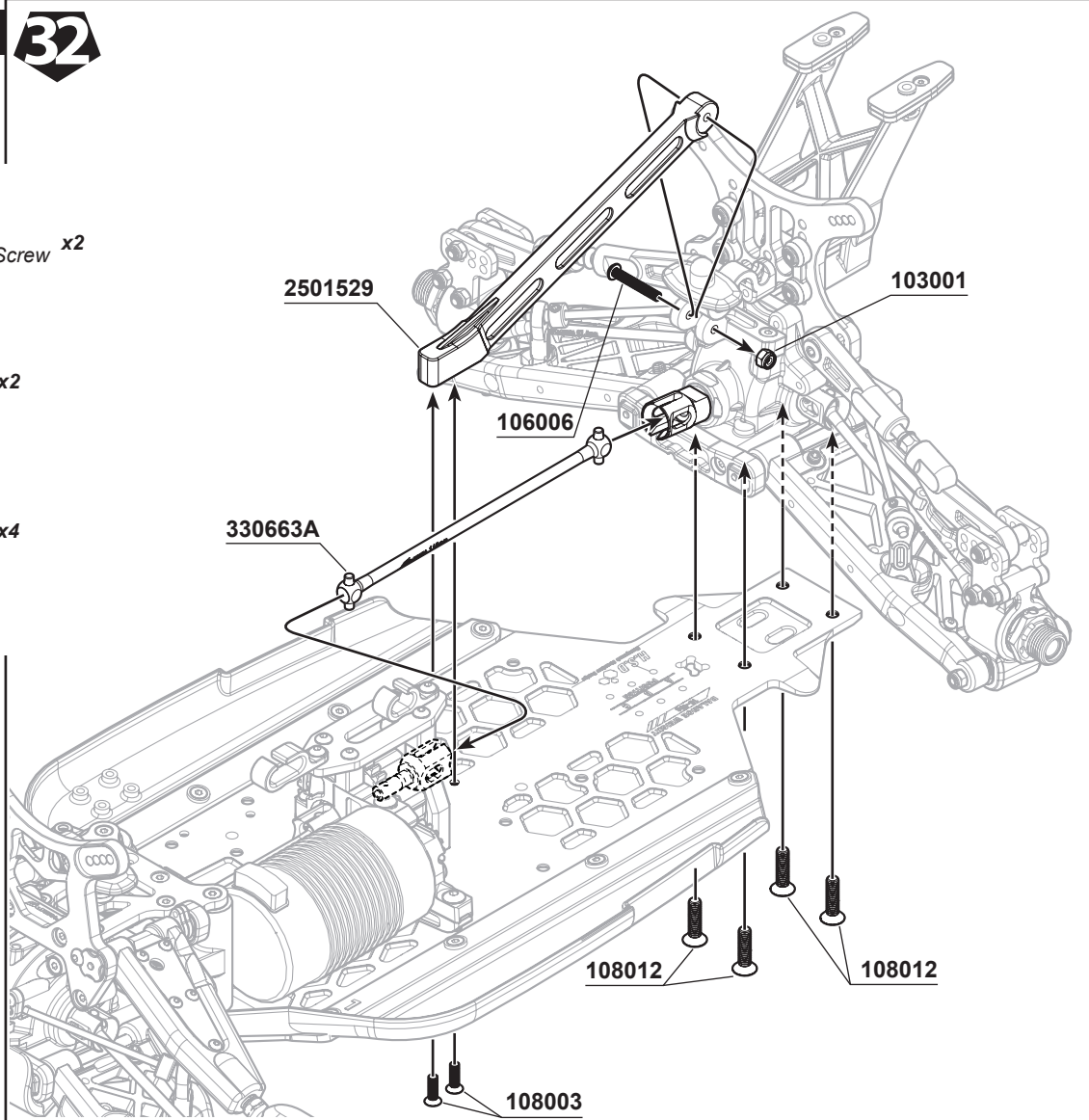
108003
M3x10mm FH/ST HEX Screw x2



108012
M4x16mm FH/ST HEX Screw x4

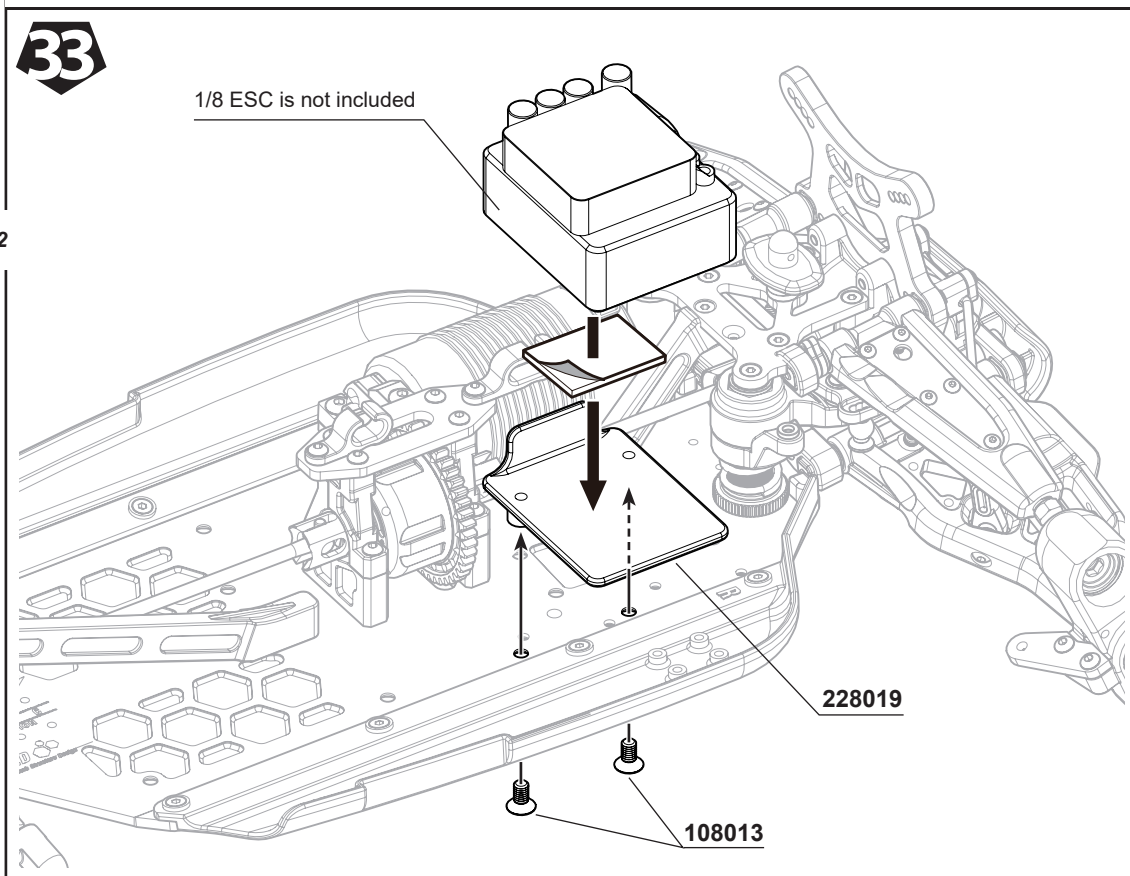


103001
M3 Nut Lock x1



108013
M4x8mm FH/ST HEX Screw x2

1/8 ESC is not included

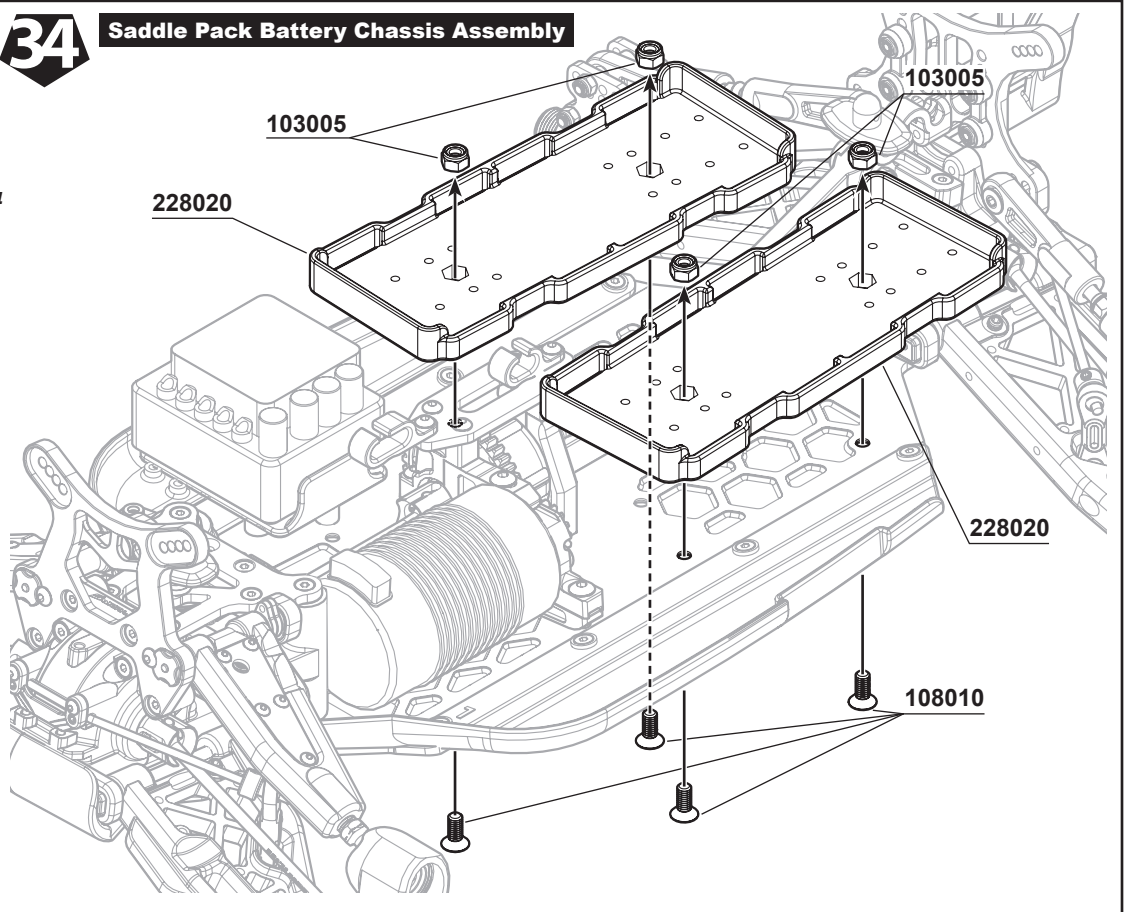




108010
M4x10mm FH/ST HEX Screw x4



103005
M4 Nut Lock x4



108006
M3x8mm FH/ST HEX Screw x4



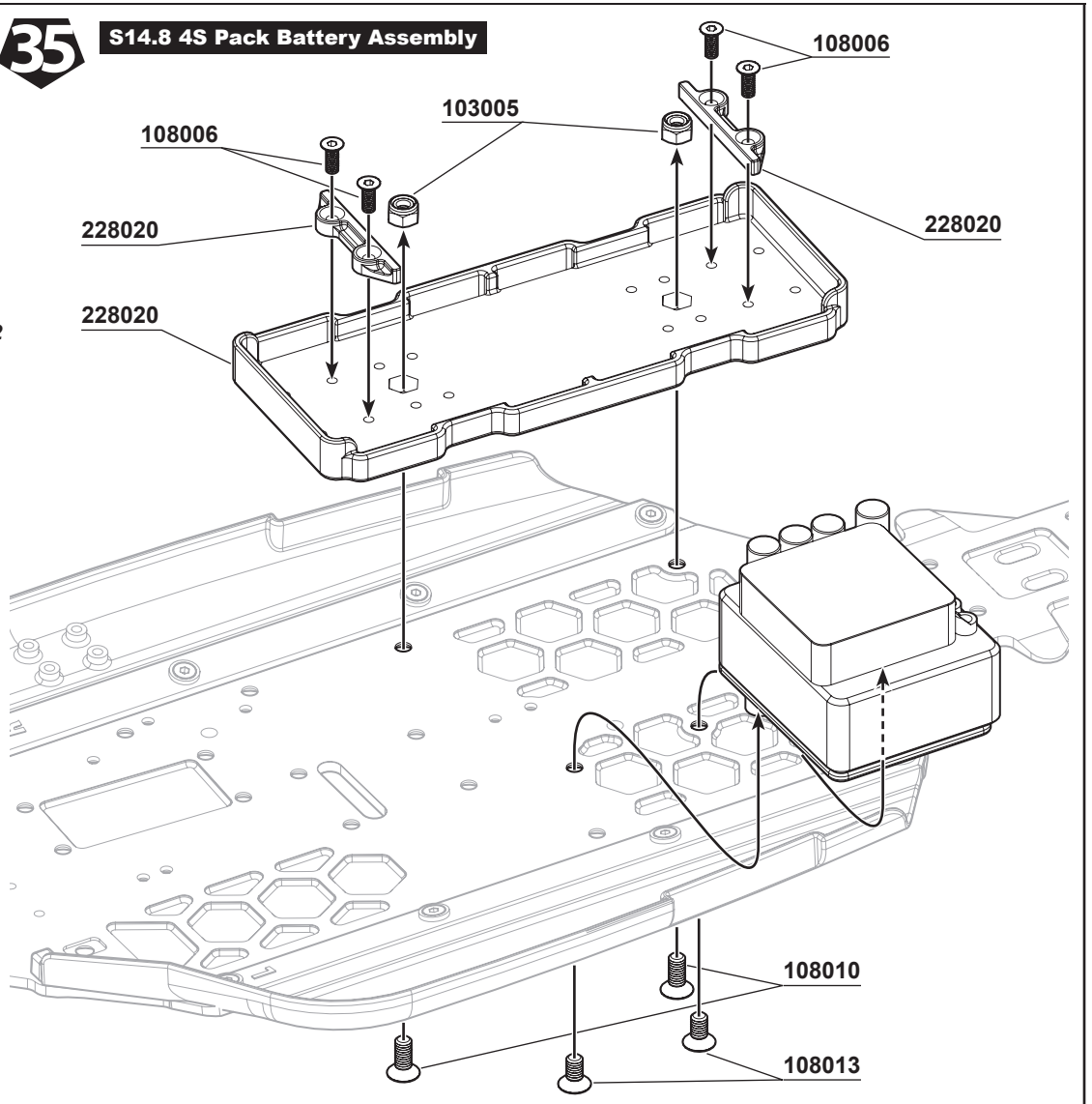
108010
M4x10mm FH/ST HEX Screw x2

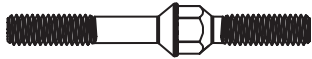


108013
M4x8mm FH/ST HEX Screw x2



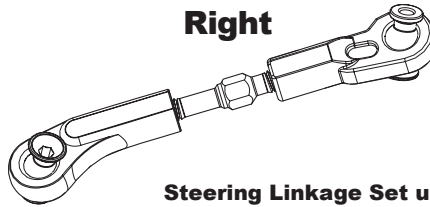
103005
M4 Nut Lock x2





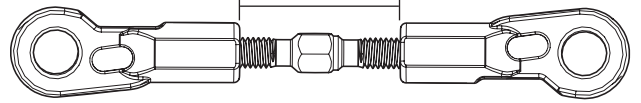
330126A
Steering Turnbuckle x2

Right



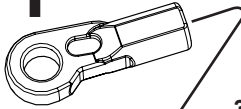
Steering Linkage Set up by Straight Ball Ends

20.6 mm



1:1

330779



330126A

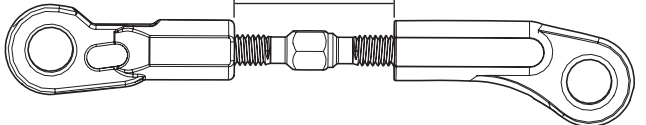
2503270 (#3)

330779T-ST

2501121C

Steering Linkage Set up by Curve Ball Ends

20.9 mm



1:1



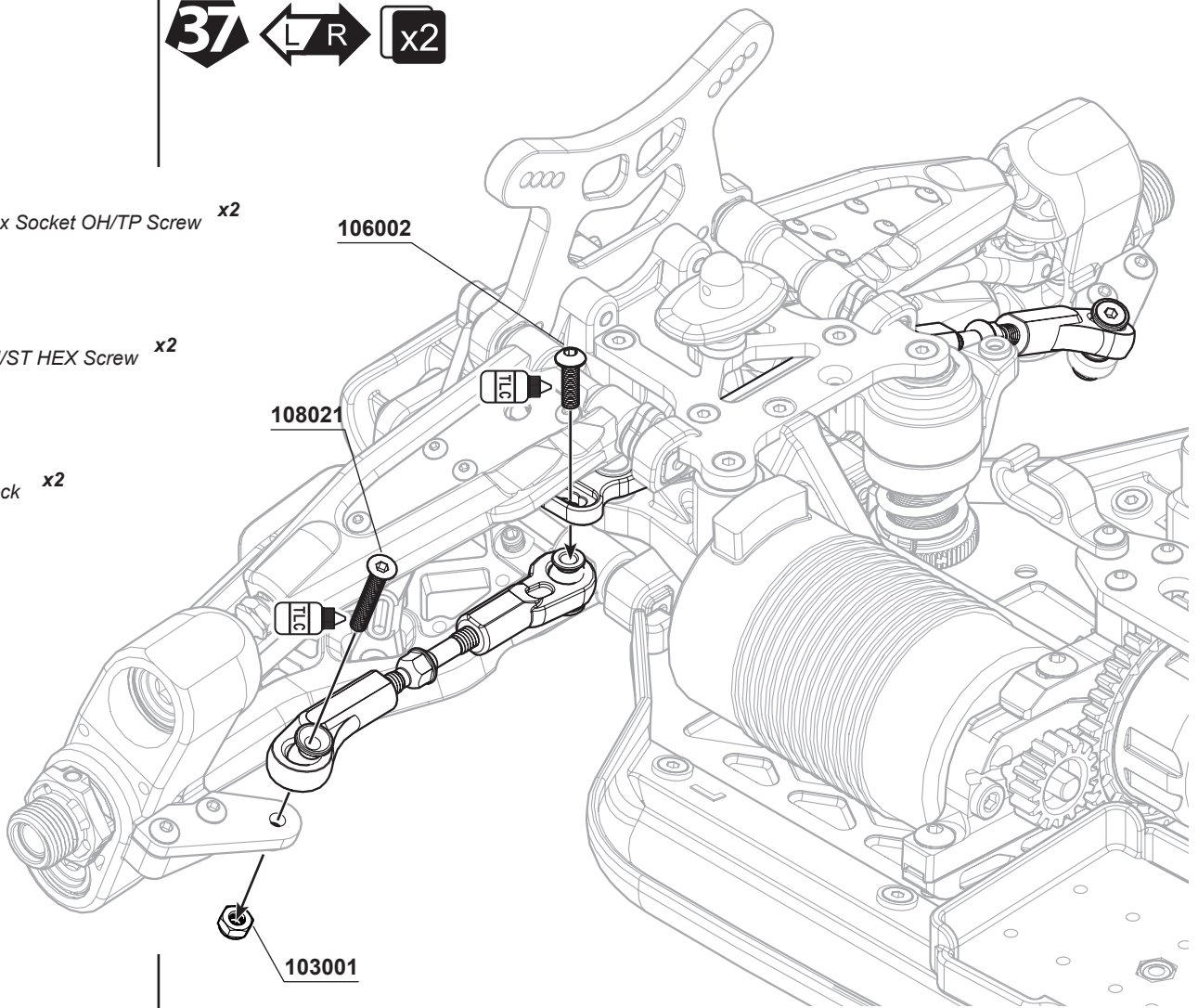
106002
M3x10mm Hex Socket OH/TP Screw x2



108021
M3x18mm FH/ST HEX Screw x2



103001
M3mm Nut Lock x2



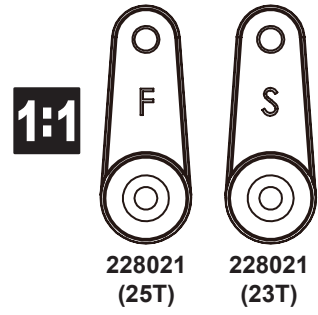
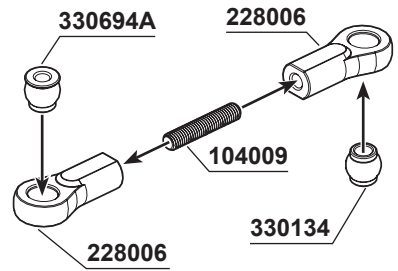
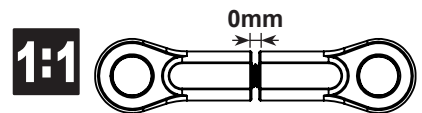
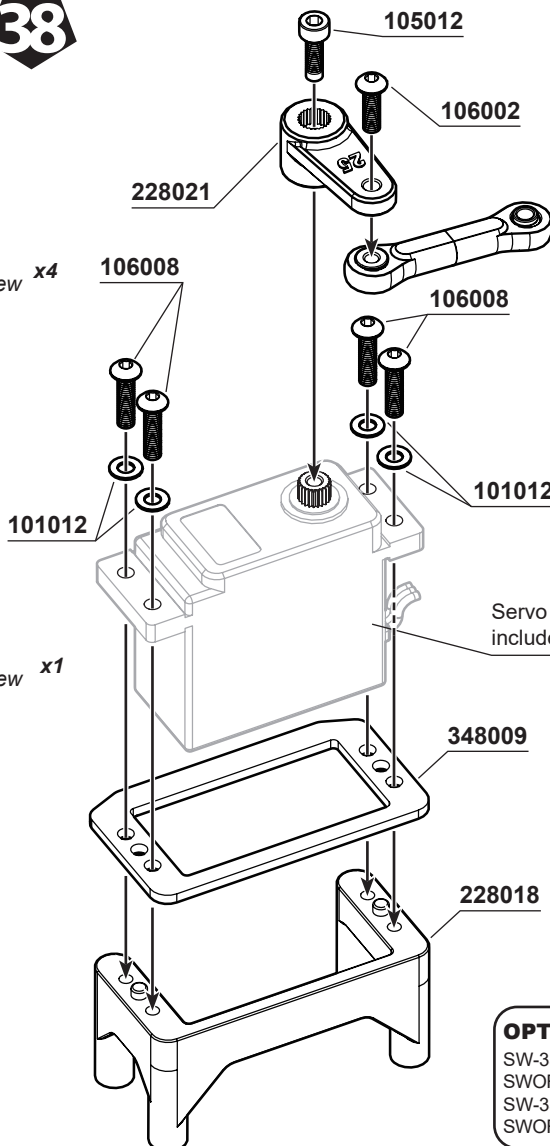
104009
M3x16mm Set Screw **x1**

106008
M3x12mm Hex Socket OH/TP Screw **x4**

101012
M3x6xT0.6mm **x4**

105012
M3x10mm Cap Screw **x1**

106002
M3x10mm Hex Socket OH/TP Screw **x1**



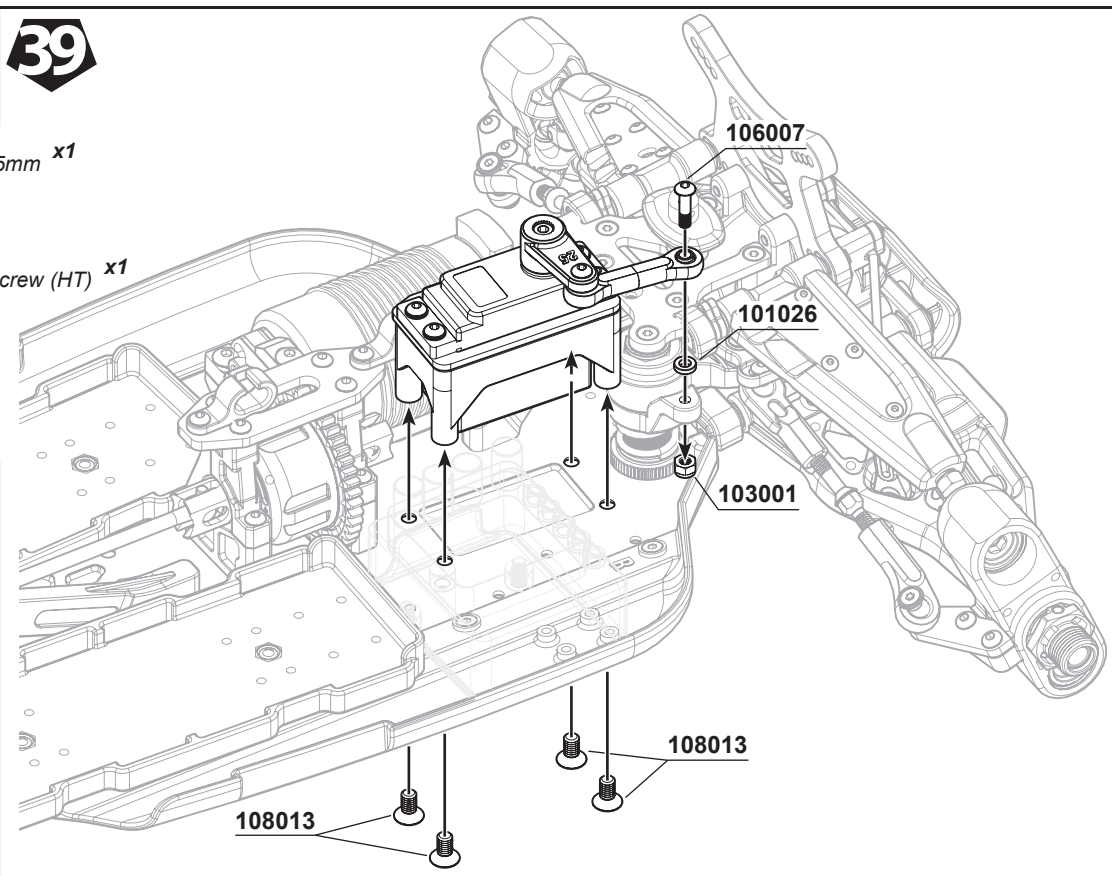
OPTION:
SW-338078-25
SWORKz Uni-Design 2-Way System Aluminum Steering Servo Horn 25T
SW-338078-23
SWORKz Uni-Design 2-Way System Aluminum Steering Servo Horn 23T

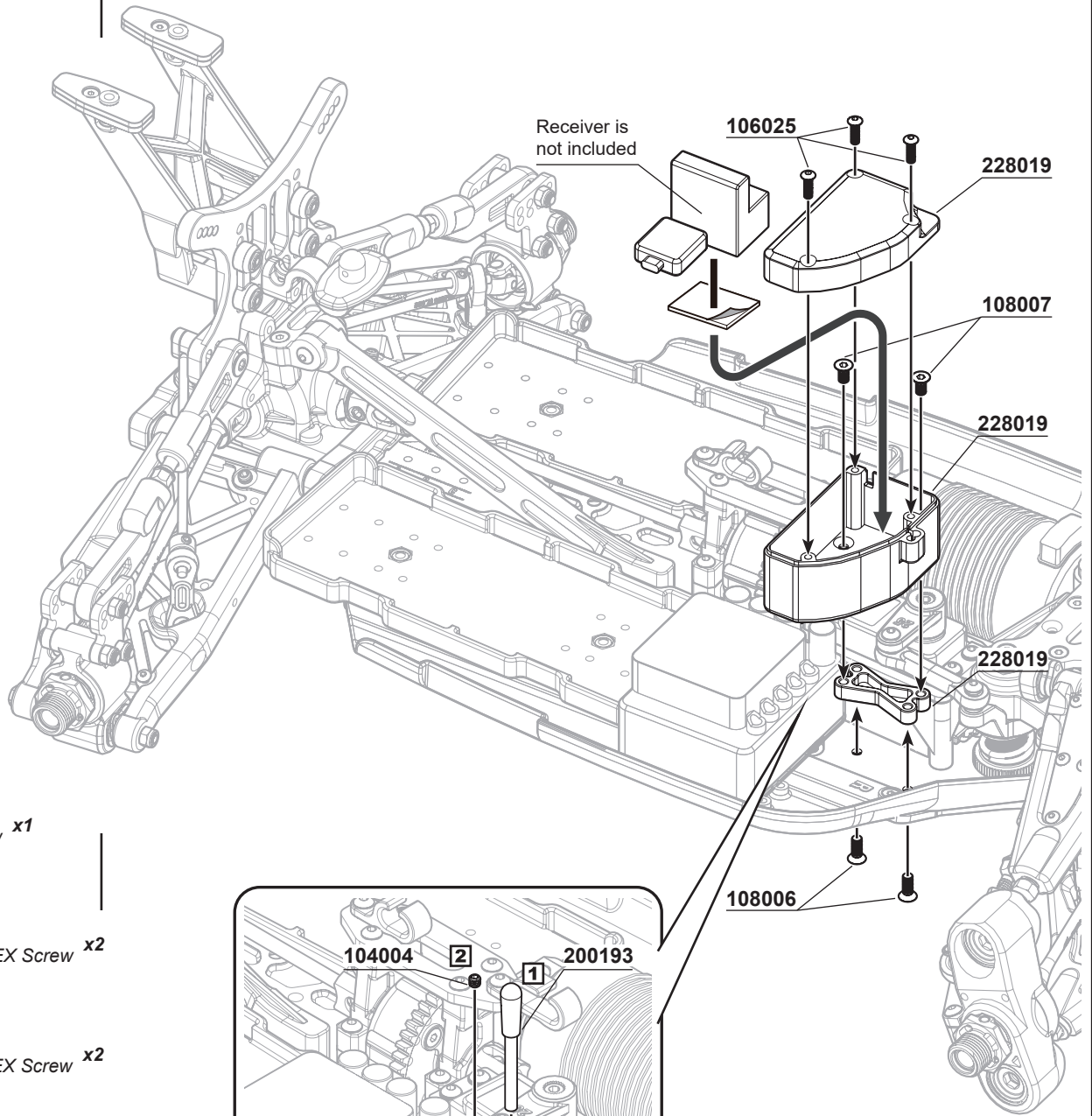
101026
S102 Aluminum Washer 3X6X1.5mm **x1**

106007
M3x12mm Hex Socket OH/TP Screw (HT) **x1**


108013
M4x8mm FH/ST HEX Screw **x4**


103001
M3xNut Lock **x1**







Receiver is not included

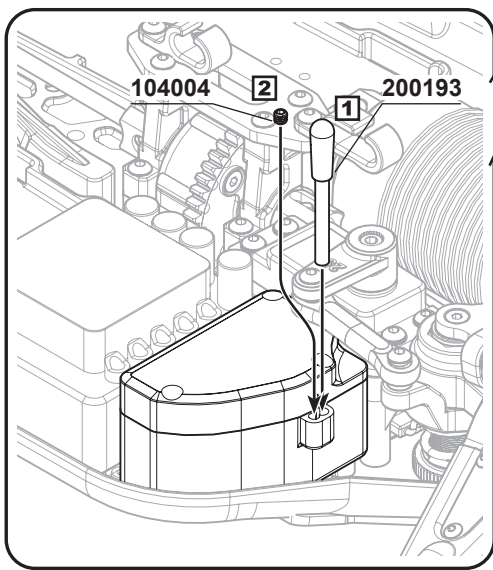
- 

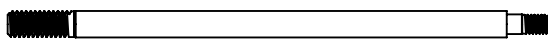
104004
M3x3mm Set Screw **x1**
- 

108006
M3x8mm FH/ST HEX Screw **x2**
- 

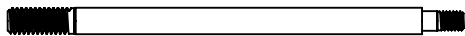
108007
M3x6mm FH/ST HEX Screw **x2**
- 

106025
M2.5x8mm Hex Socket OH/TP Screw **x3**





338062A
S35-4 Series BBS System Teflon Coated Durable Shock Shaft (L) x2



338063A
S35-4 Series BBS System Teflon Coated Durable Shock Shaft (S) x2



103004
M2.5mm Nut Lock x4



228016-Seal
Shock Seal Washer 3.5X7X1.0mm x4



228016-Seal
Shock Seal Washer 3.6X7X2.5mm x8



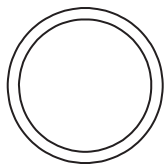
101011
M2.6x6xT0.6mm x4



400006
Shock Seal O-Ring x8



400020
Shock Seal O-Ring x4



400019
Shock Spring Adjust Nut O-Ring



108029
M2.0x4.6mm FH/ST HEX Screw (1.5mm HexHead) x4

Front 330634(S)
Rear 330633(L)

400020

400006

228016-Seal

330557

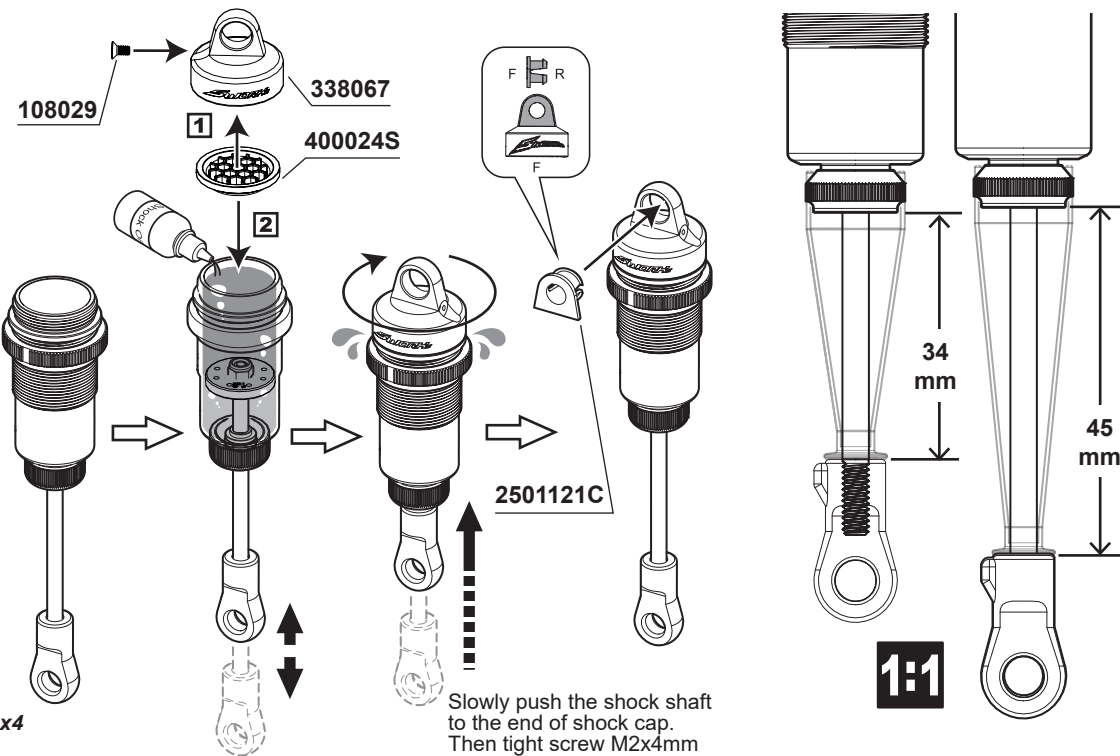
228006

Front 40010(S)
Rear 400009(L)

101011 103004
Front 338063A(S)
Rear 338062A(L)

Front 228016-1.2-8
Rear 228016-1.3-8

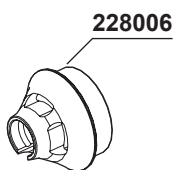
Standard bladder shock cap assembly note



115191
S35 Series Competition Black Line Rear Shock Spring (RM3-Dot)(80X1.6X10.0) x2



115182
S35-4 Black Competition Front Shock Spring (US3-Dot)(62X1.6X7.75) x2



228006

330560B

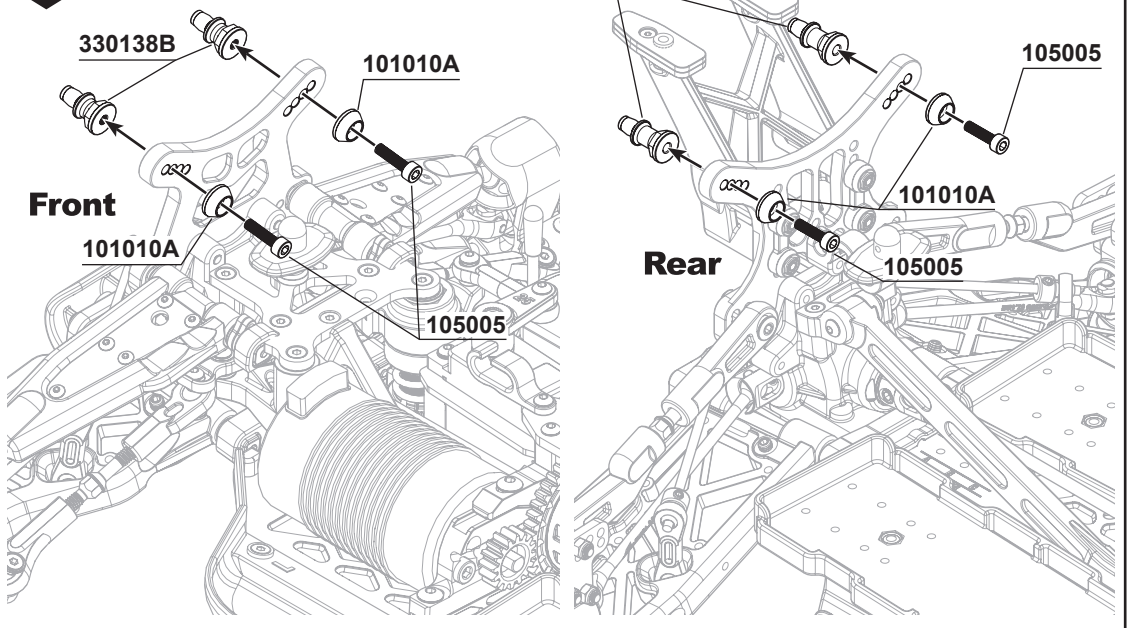
330134

400019

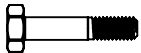
Front SWC-115182
Rear SWC-115191



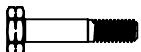
105005
M3x12mm Cap Screw x4



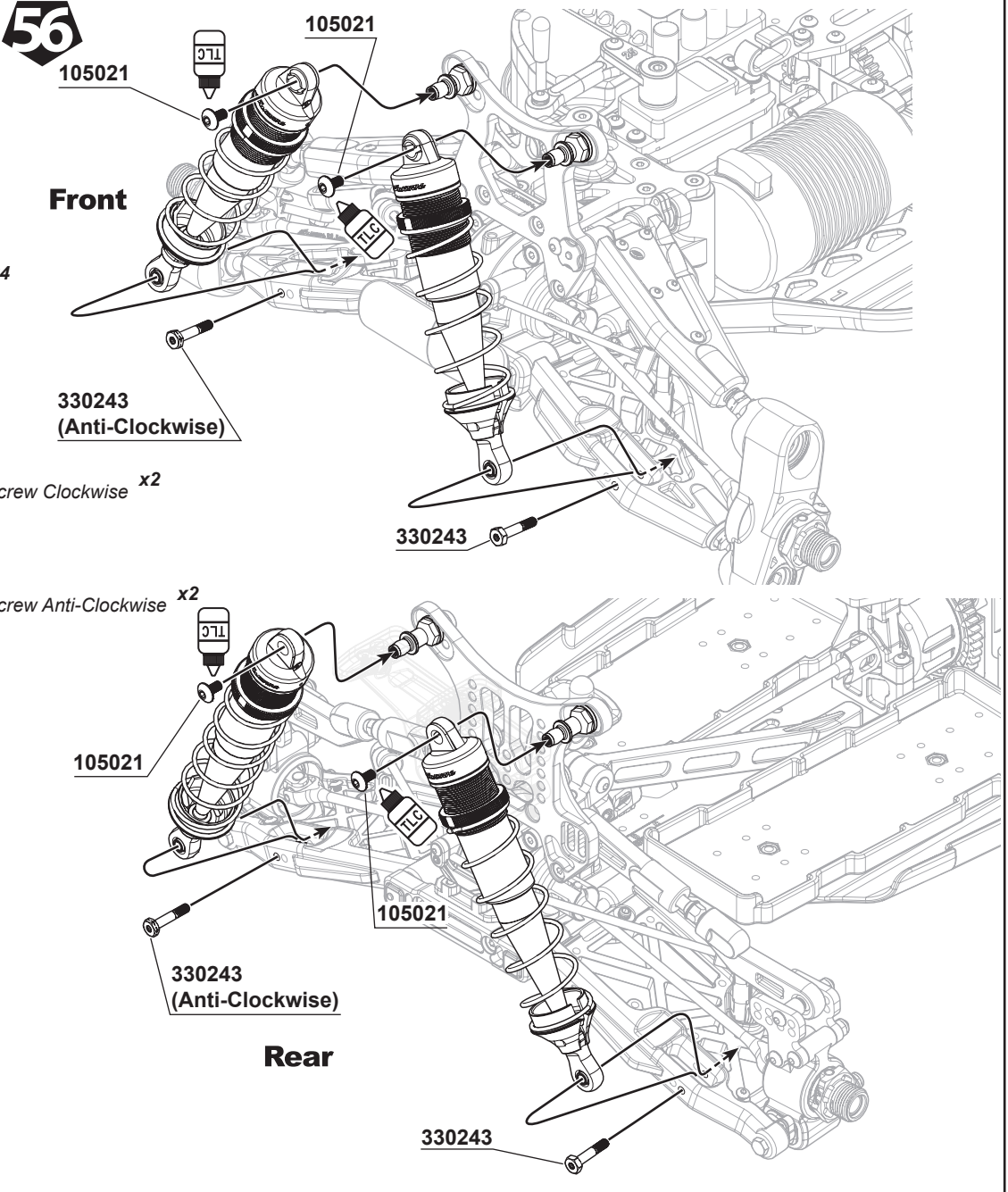
105021
M3x6mm Conical Head Screw x4




330243
SWORKz 3x16mm Shock Hex Screw Clockwise x2




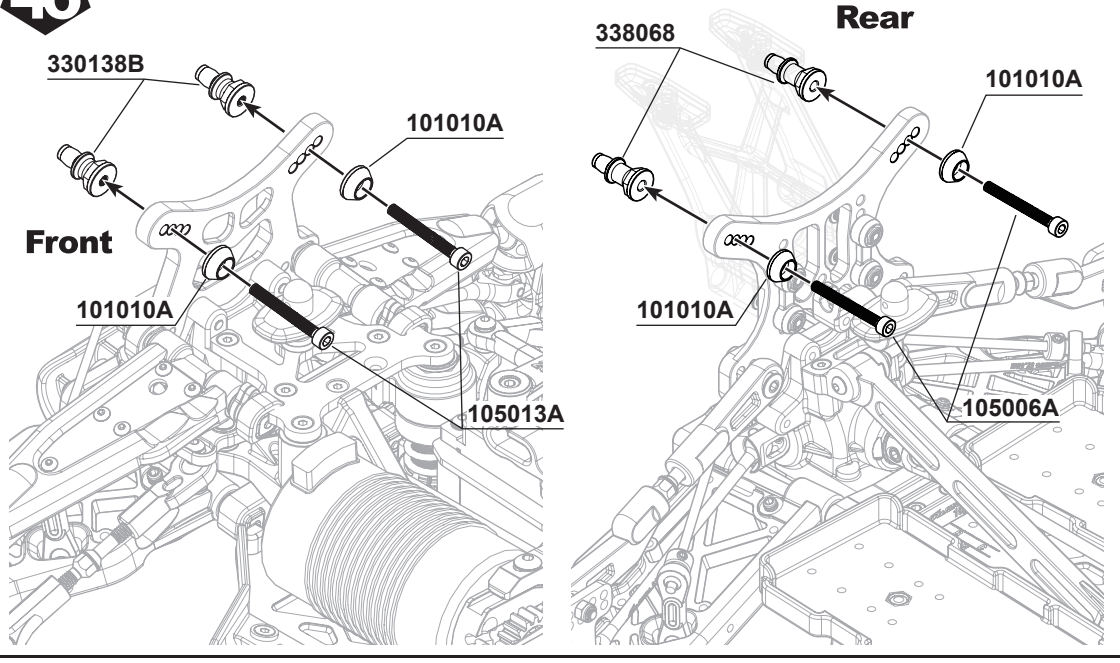
330243
SWORKz 3x16mm Shock Hex Screw Anti-Clockwise x2




46 Traditional Shock Stud Screws Assembly

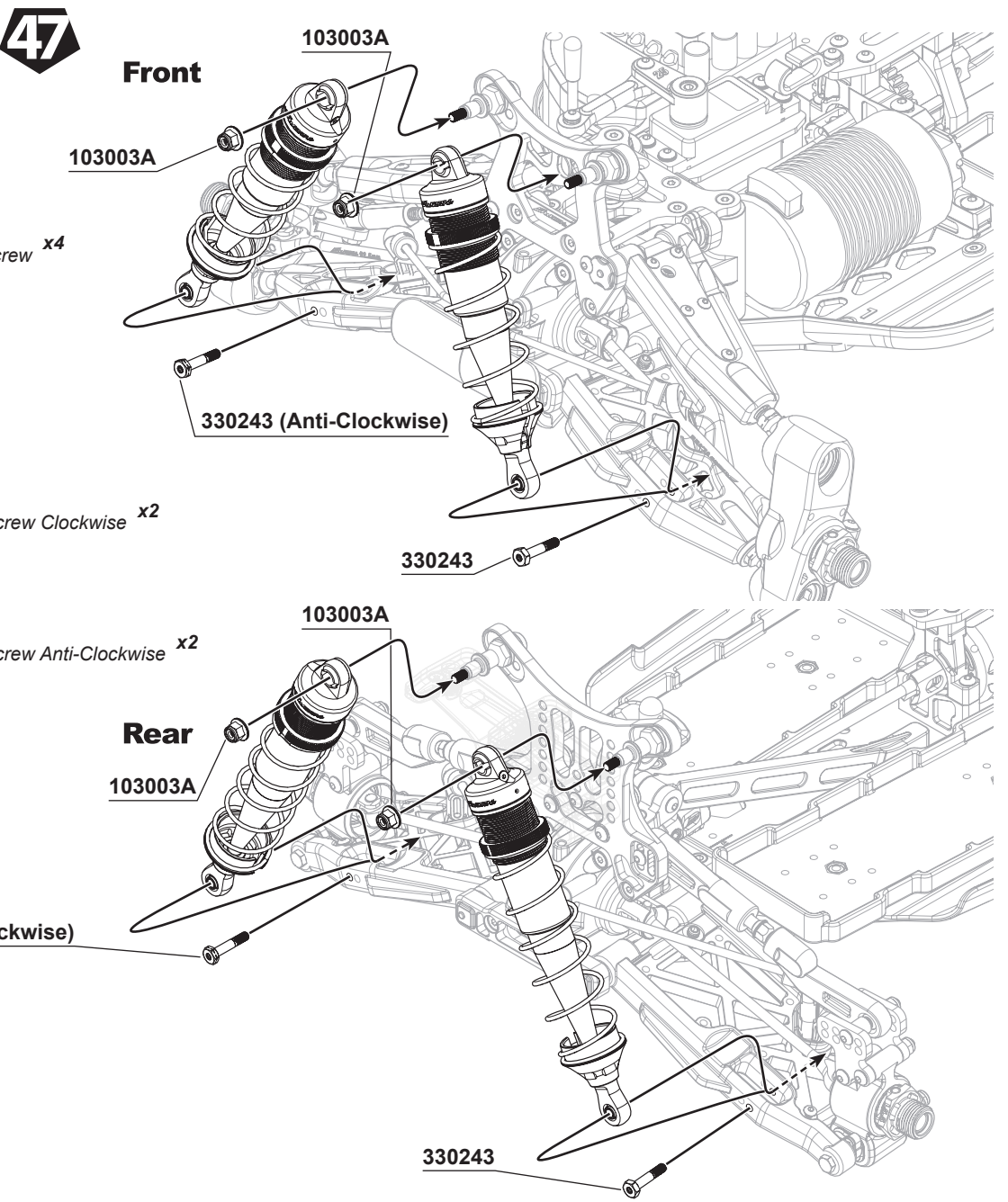
 **105006A**
M3x28mm Cap Screw x2

 **105013A**
M3x25mm Cap Screw x2

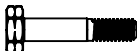


 **103003A**
Flange M3 Nut Lock x4

 **106003**
M3x16mm Hex Socket OH/TP Screw x4



 **330243**
SWORKz 3x16mm Shock Hex Screw Clockwise x2

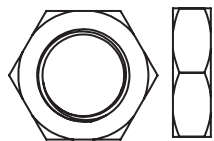
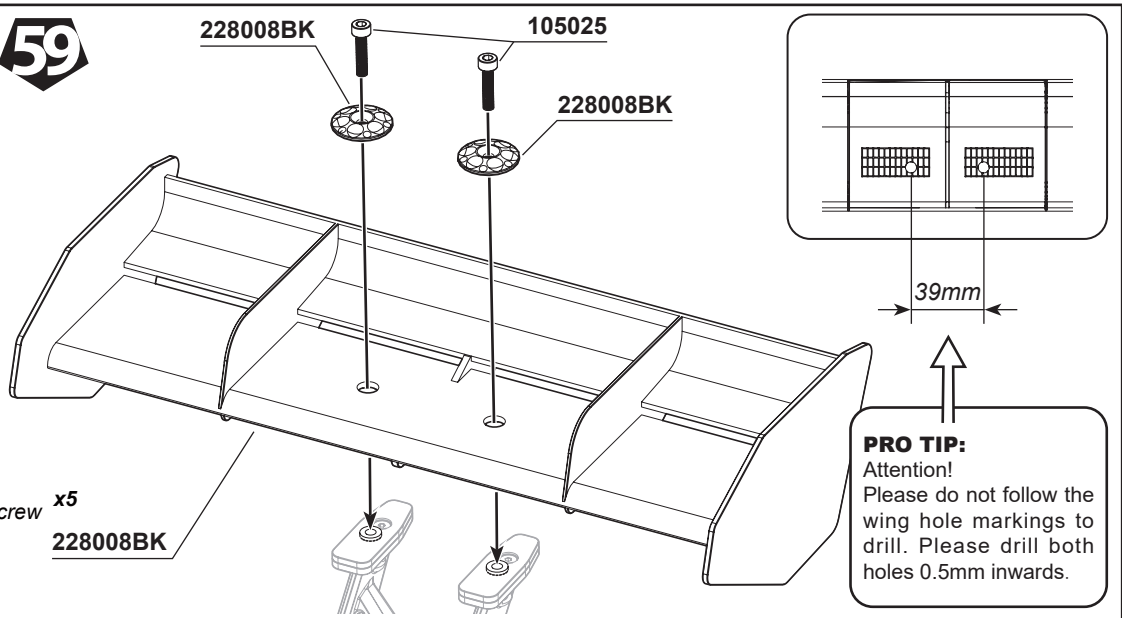
 **330243**
SWORKz 3x16mm Shock Hex Screw Anti-Clockwise x2



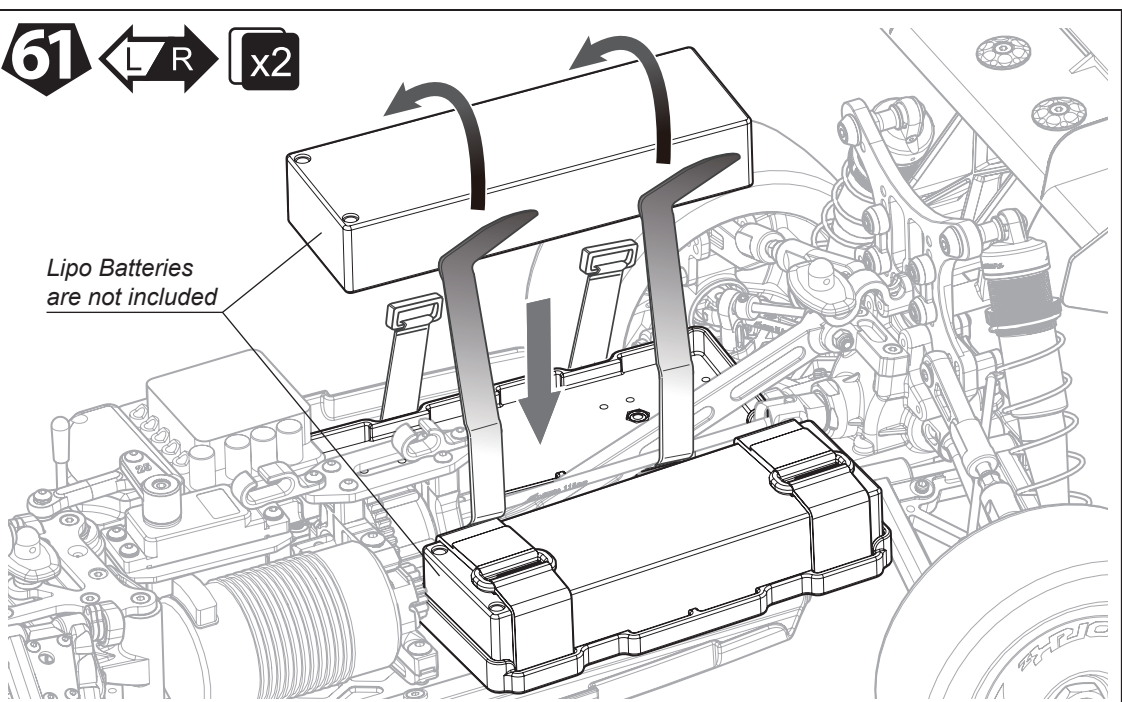
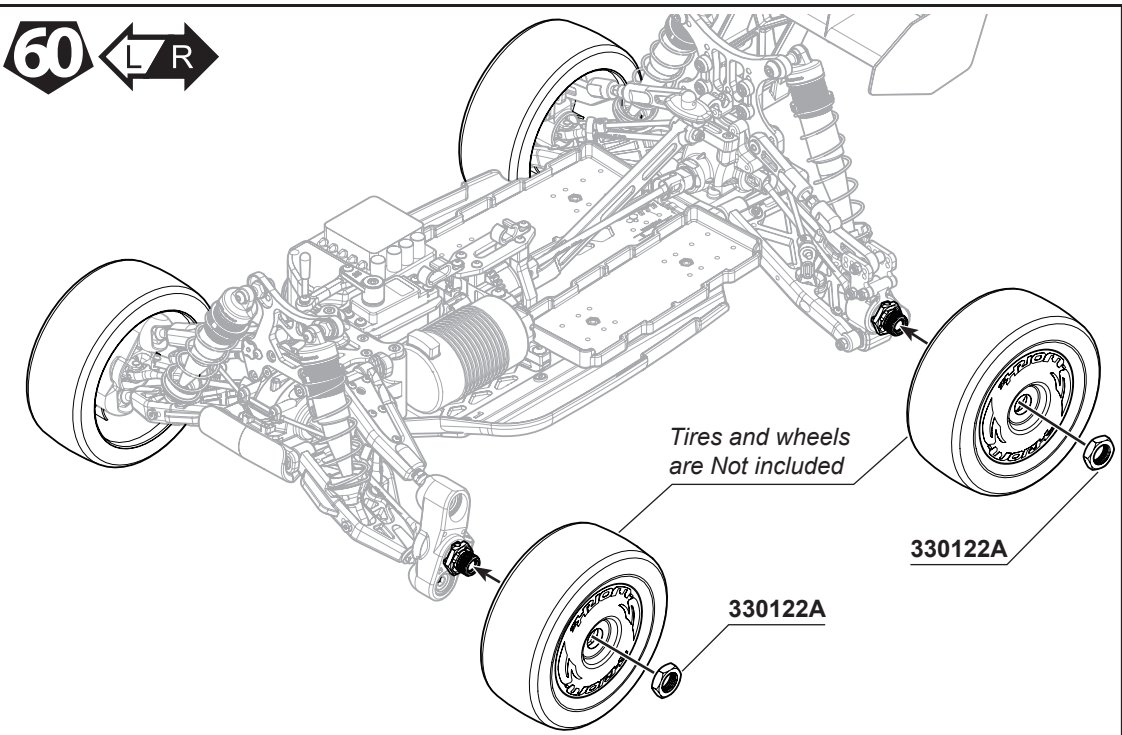
105005
M3x12mm Cap Screw x2



106025
M2.5x8mm Hex Socket OH/TP Screw x5

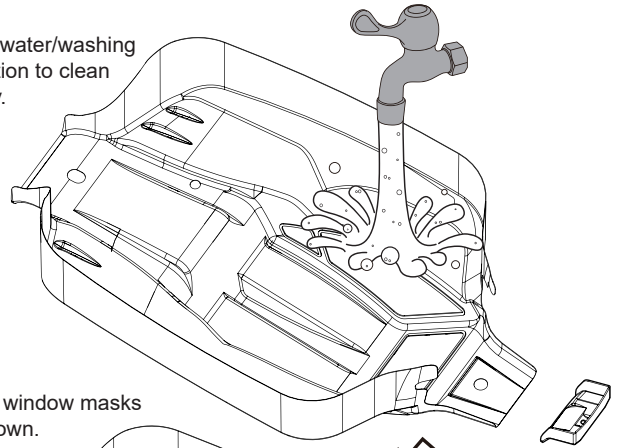


330122A
Wheel Nut x4

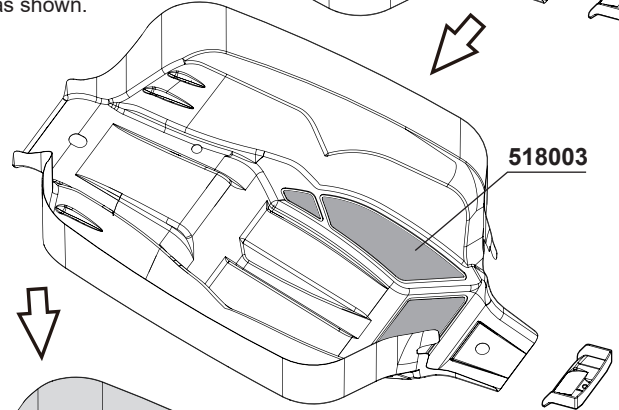


50

Use water/washing solution to clean body.

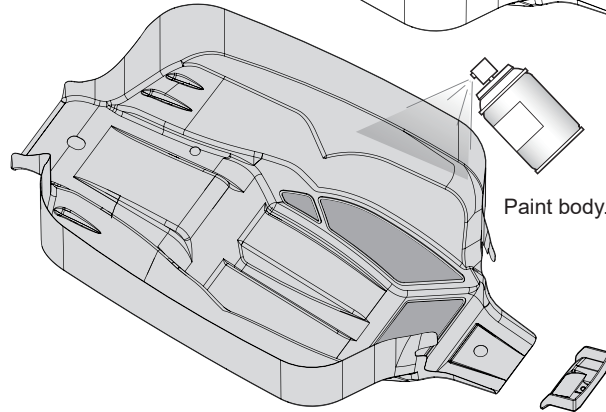


Apply window masks as shown.

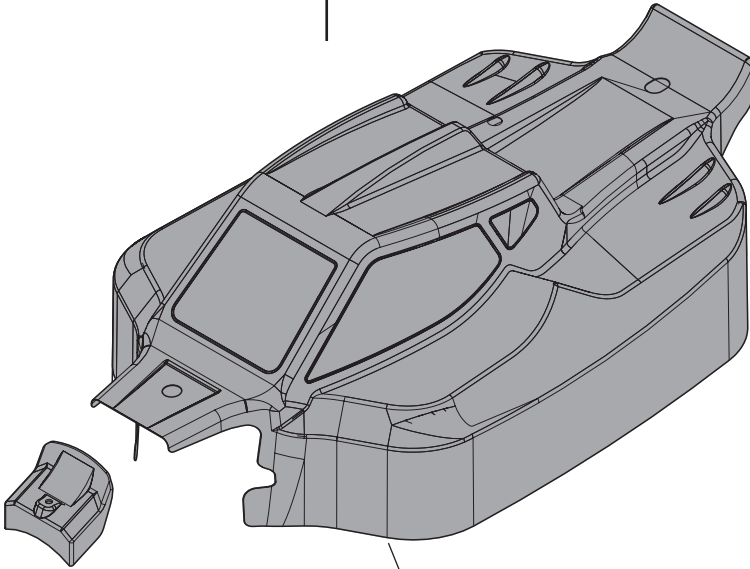


518003

Paint body.



258001C-E



51

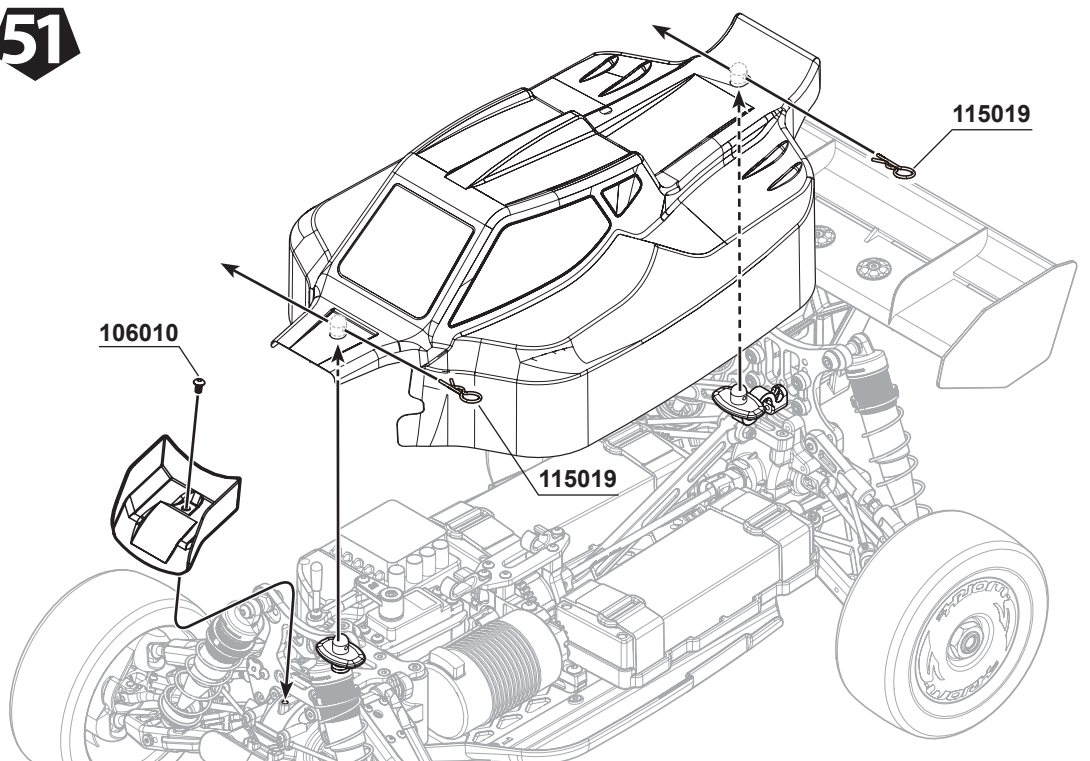


106010
Button Head Screw M3x6mm x1

115019

106010

115019



Name: SWORKZ S35-4e EVO
Date: 2023
Track: Basic Setup

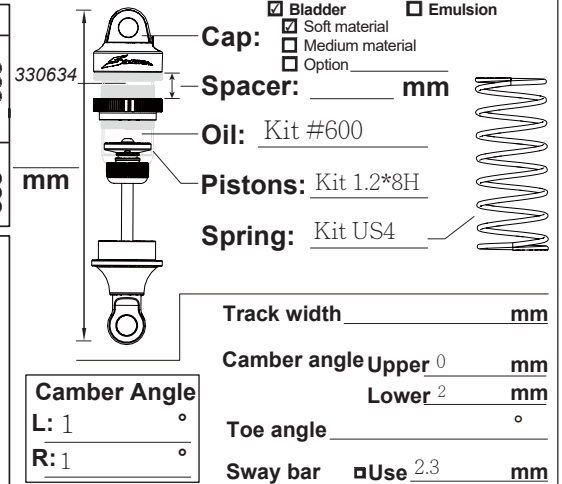
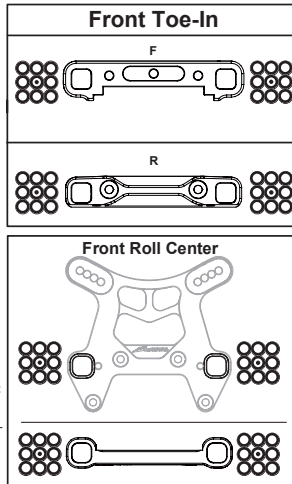
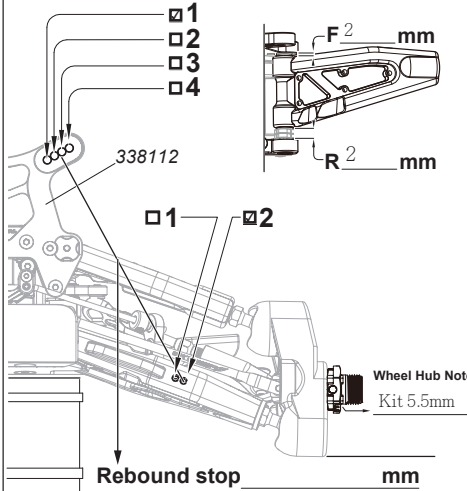
Diff. Oil
Front: #10000
Center: #10000
Rear: #5000

Track Conditions
Size: Open Med. Tight
Traction: High Med. Low
Surface: Smooth Med. Bumpy

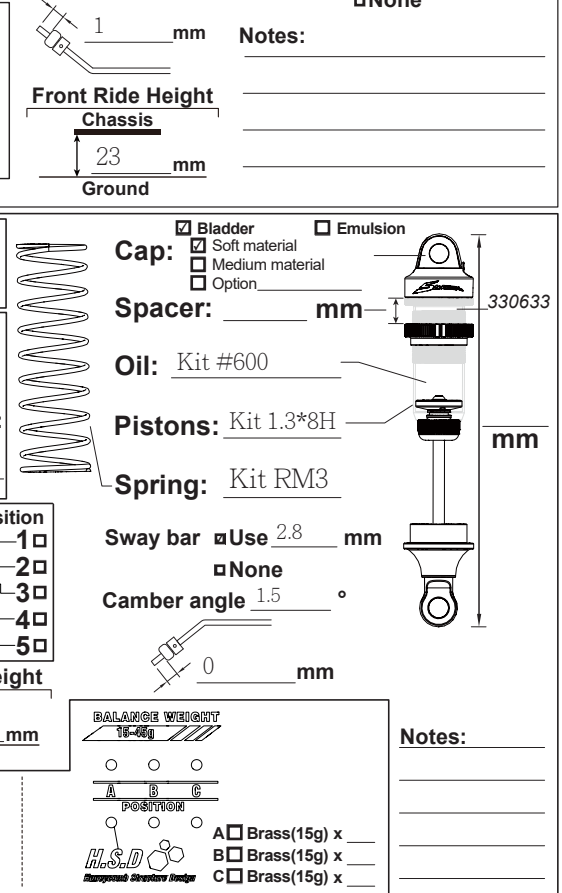
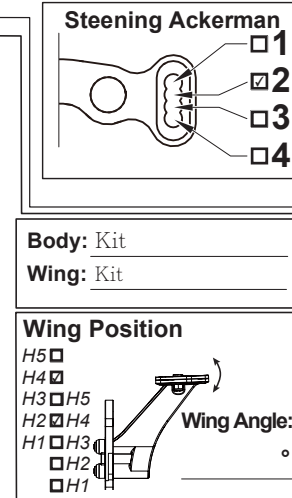
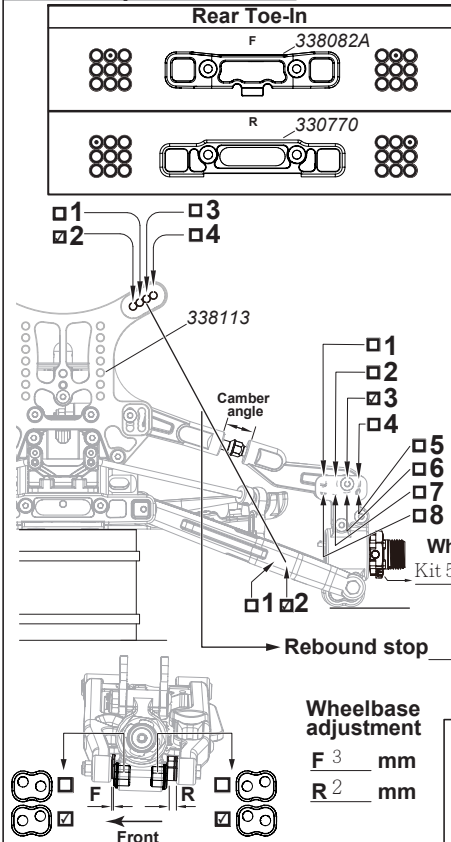
Tire
Front Type: Option
Rear Type: Option
Foam: Option **Foam:** Option

Electric System
ESC Type: Option
Motor Type: Option
Motor Gear/Spur Gear: 15/46T
Battery Type A: Standard Pack Option (7.4V 2S x 2)
B: Shorly Pack Option (14.8 4S x 1)

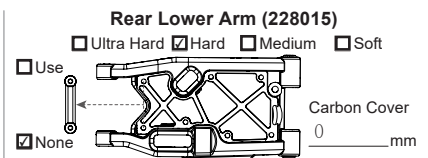
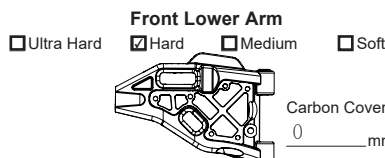
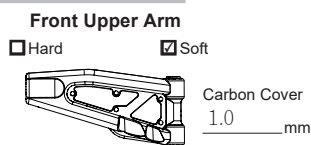
Front Suspension



Rear Suspension



Option Parts List



Name: _____
 Date: _____
 Track: _____

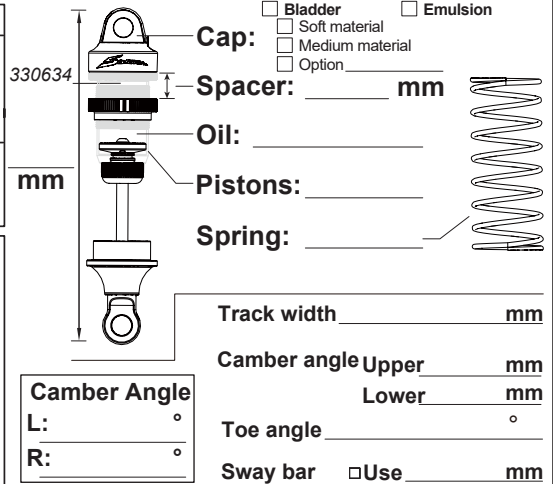
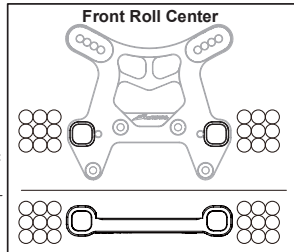
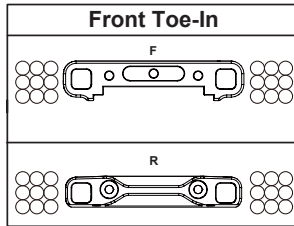
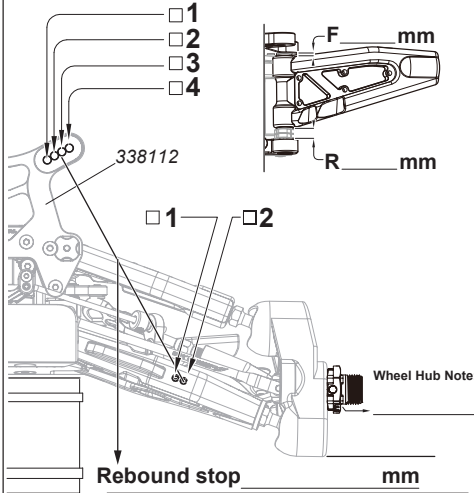
Diff. Oil
 Front: _____
 Center: _____
 Rear: _____

Track Conditions
 Size: Open Med. Tight
 Traction: High Med. Low
 Surface: Smooth Med. Bumpy

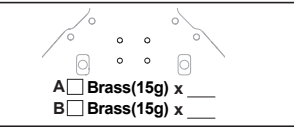
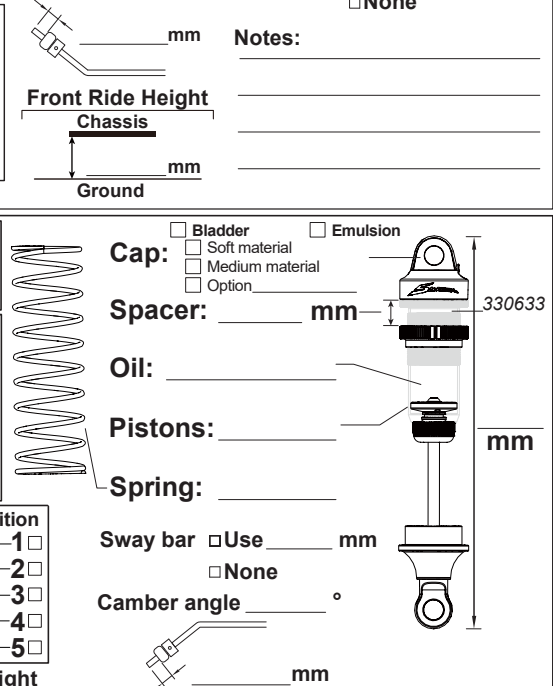
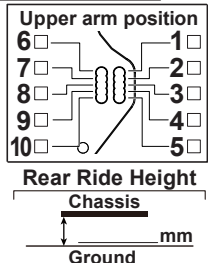
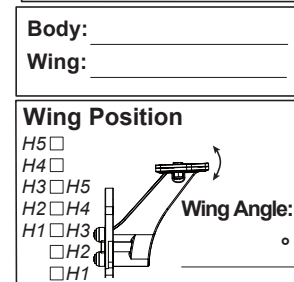
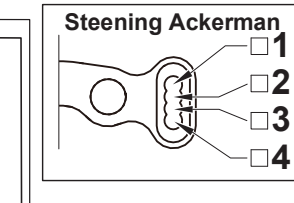
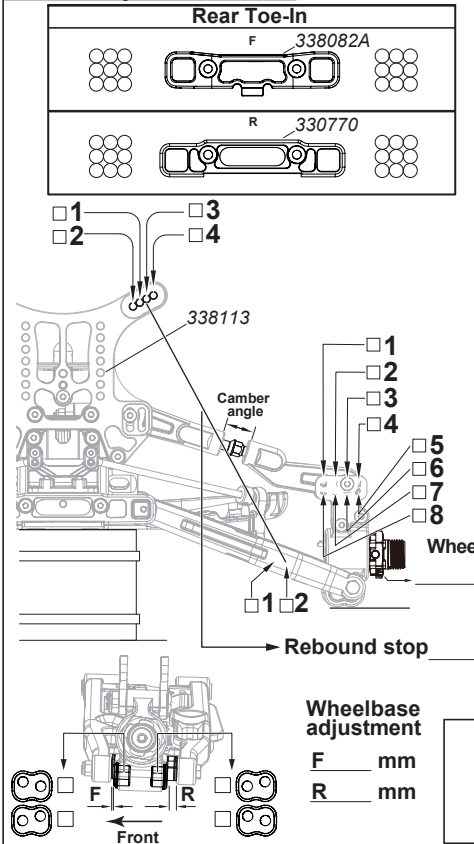
Tire
 Front Type: _____
 Front Foam: _____
 Rear Type: _____
 Rear Foam: _____

Electric System
 ESC Type: _____
 Motor Type: _____
 Motor Gear/Spur Gear: _____
 Battery Type: A: Standard Pack _____
 B: Shorty Pack _____

Front Suspension



Rear Suspension



Option Parts List

Front Upper Arm
 Hard Soft
 Carbon Cover _____ mm

Front Lower Arm
 Ultra Hard Hard Medium Soft
 Carbon Cover _____ mm

Rear Lower Arm (228015)
 Ultra Hard Hard Medium Soft
 Use _____ mm
 None

Name: _____
 Date: _____
 Track: _____

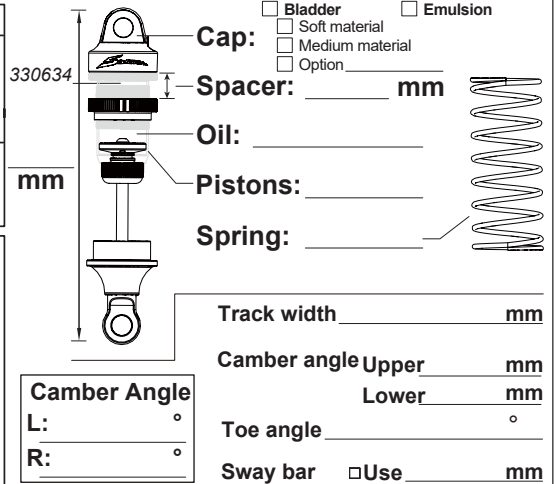
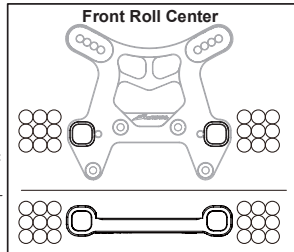
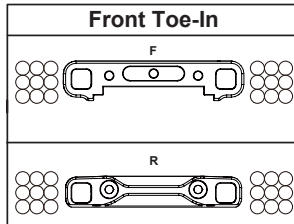
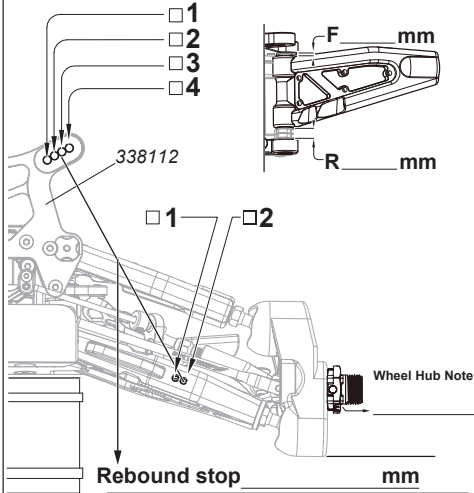
Diff. Oil
 Front: _____
 Center: _____
 Rear: _____

Track Conditions
 Size: Open Med. Tight
 Traction: High Med. Low
 Surface: Smooth Med. Bumpy

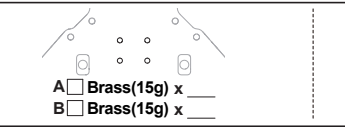
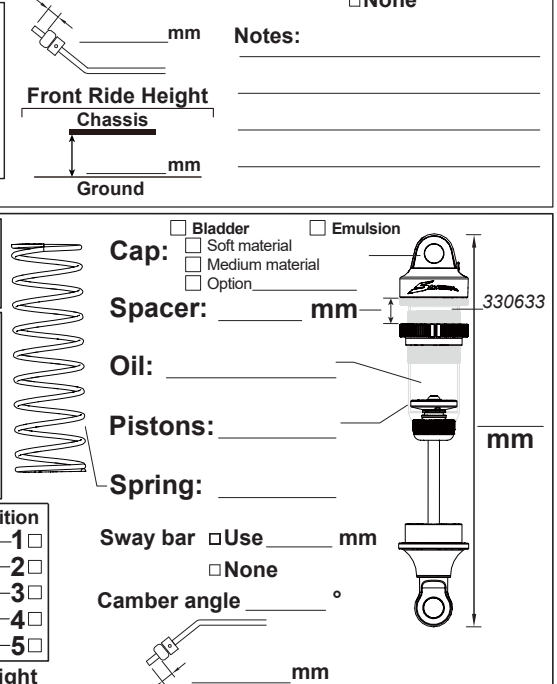
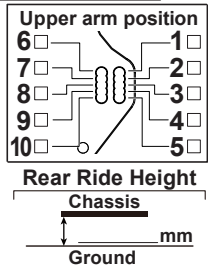
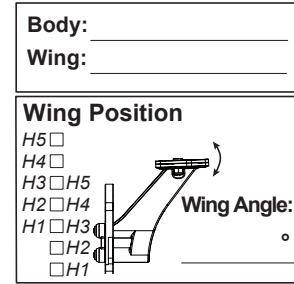
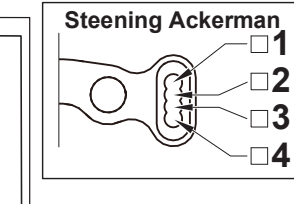
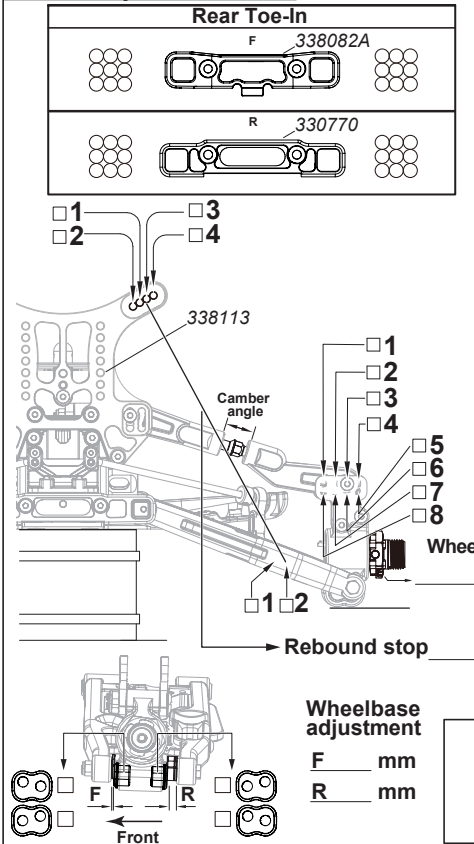
Tire
 Front Type: _____
 Front Foam: _____
 Rear Type: _____
 Rear Foam: _____

Electric System
 ESC Type: _____
 Motor Type: _____
 Motor Gear/Spur Gear: _____
 Battery Type: _____
 A: Standard Pack _____
 B: Shorty Pack _____

Front Suspension



Rear Suspension



Option Parts List

Front Upper Arm
 Hard Soft
 Carbon Cover _____ mm

Front Lower Arm
 Ultra Hard Hard Medium Soft
 Carbon Cover _____ mm

Rear Lower Arm (228015)
 Ultra Hard Hard Medium Soft
 Use _____ mm
 None

Parts No. List

Part No.	Part Name	Q`ty in Use	Item No.	Part No.	Part Name	Q`ty in Use	Item No.
210091	S35-3W Plastic Front/Rear Big Bore Diff Case	2	SW-210091	338067	S35-4 Series Emulsion/Bladder 2 Ways Syatem Shock Cap	4	SW-338067
210079A	S35-4 Plastic Center Big Bore HET Diff Case	1	SW-210079A	338068	S35-4 Series T7 Aluminum Shock Stud (L) 2	2	SW-338068
2501097B	S35 Series Front Bumper	1	SW-2501097B	338070B	S35 Series Rear Upper Sus. Arm Ball Stud (7.0mm Hex)	2	SW-338070B
2501121C	S35/S350 Series Ball End Set with Shock Plastic Parts	2	SW-2501121C	338080	S35 Series Lightened Wheel Hub for 8mm Axil (L5.5mm)	4	SW-338080
2501529	S350 BX1/BR1 Rear Chassis Brace	1	SW-2501529	338082A	S35-4/GT2/E Series T7075 Aluminum Intensity Rear/Front Narrow Lower Suspension Plate (RF)	1	SW-338082A
2503260	S353 Series Plastic Inserts Set	1	SW-2503260	338112	S35-4 Series T7075 Aluminum Front Shock Tower for High Capacity Shock System	1	SW-338112
2503261A	S35-3/GT Series Gear Box Set (Fit 5x13x4mm Ball Bearing)	2	SW-2503261A	338113	S35-4 Series T7075 Aluminum Rear Shock Tower for High Capacity Shock System	1	SW-338113
2503264A	S35-3 Series Front Steering Knuckle (Type 2.0) L	1	SW-2503264A	338122-R	S35/S350/Apollo Series Lightened Steering Knuckle Pivot Ball Turnbuckle (Clockwise)	2	SW-338122-R
2503270-1	S35-3 Series Front Upper Arms	2	SW-2503270-1	338122-L	S35/S350/Apollo Series Lightened Steering Knuckle Pivot Ball Turnbuckle (Anti-Clockwise)	2	SW-338122-L
2503270-2	S35-3 Series Rear Upper Arm Outside Ball Ends	4	SW-2503270-2	338123	S35-4/e EVO Series Servo Saver Post Lay-Down Type (Hard Coated)	1	SW-338123
2503270-3	S35-3 Series Front Steering Ball Ends	2	SW-2503270-3	338124	S35-4/e EVO Series T7 Aluminum Steering Plate	1	SW-338124
228001DG	S35-4 Series Plastic Inserts Set (Durable)(Gray)	2	SW-228001DG	338125	S35-4e EVO Series T7075 Aluminum Lightened Main Chassis	1	SW-338125
228002-1	S35-4 Series Plastic Rear Wheel Hub (R=L)	2	SW-228002-1	338126	S35-4/e EVO Series T7 Aluminum Setting Bellcrank Upper Part-A	1	SW-338126
228002-2E	S35-4e EVO Series Plastic Front Chassis Shorty Brace	1	SW-228002-2E	338127	S35-4e Electric Buggy Series Aluminum Center Diff. Mount	1	SW-338127
228003A	S35 Series Integrated Wing Mount Set 2.0	1	SW-228003A	338128	S35-4e Electric Buggy Series T7 Aluminum Motor Mount	1	SW-338128
228004A	S35-4 Series Plastic Side Guard Set with Stopper	1	SW-228004A	338129	S35-4e Electric Buggy Series T7 Aluminum Center Diff/Motor Unit Mount (CF)	1	SW-338129
228005H-F	S35-4 Series Front Lower Arm in Soft Material	2	SW-228005H-F	340003	S35-3 Series Pro-composite Carbon Front Upper Arm Cover Set (1mm)	2	SW-340003
228006	S35 Series Shock End/Body Mount/Ball Ends Set	2	SW-228006	340016	S35-4 Series Pro-composite Carbon Rear Wheel Hub Adjust Plate (R=L)	4	SW-340016
228007-2	S35-4E Buggy Series Plastic Center Diff. Mount	2	SW-228007-2	348005	S35-4/e EVO Series Pro-composite Carbon Steering Knuckle Plate (L&R)	2	SW-348005
228008BK	SWORKz 1/8 Off Road Formula 2.0 Race Wing (BK)	1	SW-228008BK	348007	S35-4/e EVO Series Pro-composite Carbon Steering Bellcrank Plate	1	SW-348007
228015H	SWORKz S35-4 Series Arched-Bridge-System Rear Lower Arm Set (Hard)	2	SW-228015H	348008	S35-4e EVO Electric Series Pro-composite Carbon Center Diff. Plate	1	SW-348008
228017	S35-4/e EVO Series Lay-Down Type Steering Bellcrank Set	1	SW-228017	348009	S35-4e EVO Electric Series Pro-composite Carbon Steering Servo Mount Plate	1	SW-348009
228018	S35-4e EVO Electric Series Steering Servo Mount & Rear Upper Deak Holder	1	SW-228018	400002	O-ring S5 4.8X1.5	6	SW-400002
228019	S35-4e EVO Electric Series Receiver Box & Accessories	1	SW-228019	400005	Shock Spring Adjust Nut O-Ring	4	SW-400005
228020	S35-4e EVO Electric Series Battery Case	2	SW-228020	400006	Shock Seal O-Ring	8	SW-400006
228021	SWORKz 1/8 Steering and Throttle Servo Horn Set	1	SW-228021	400009	Shock Boot (L)	2	SW-400009
228016-1.2-8	SWORKz 1/8 BBS Precision Plastic Shock Piston(1.2X8Holes)	2	SW-228016-1.2-8	400010	Shock Boot (S)	2	SW-400010
228016-1.3-8	SWORKz 1/8 BBS Precision Plastic Shock Piston(1.3X8Holes)	2	SW-228016-1.3-8	400013	S104 Shock Seal O-ring 2x2.7mm	4	SW-400013
228016-Seal	SWORKz 1/8 BBS Precision Plastic Shock Seal Part (2 Sets)	2	SW-228016-Seal	400019	S350 New BBS System Shock Spring Adjust Nut O-Ring	4	SW-400019
210046	S350 Series LDS Universal Cross Drive Shaft Set 92.5mm (1pc)	4	SW-210046	400020	S350 New BBS System Shock Seal O-Ring	4	SW-400020
200193	Antenna Tube	1	SW-200193	400024S	S35 Series BBS System Hex-Cell Shock Bladder (Soft)	4	SW-400024S
258001C-E	S35 Series Falcon ST-4 Clean Body Shell (Pre-Cut for EP Buggy)	1	SW-258001C-E	420010	Antenna Cup	1	SW-420010
328001	S35-3W Diff. Bevel Gear 20T	6	SW-328001	510080A	SWORKz 1/8 Off Road Formula Race Wing Decal	1	SW-228008BK
328001	S35-3W Diff. Bevel Gear 10T	12	SW-328001	510091	SWORKz Original Logo Sticker	1	SW-510091
330015	Pin M2.2x9.9mm	6	SW-330015	518002	S35-4E Body Decal Sheet	1	SW-258001C-E
330117A	S350 Series Knuckle Pivot Ball Washer(GM)	2	SW-330117A	518003	S35 Series Falcon ST-4 Clean Body Shell Window Mask	1	SW-258001C-E
330118A	S350 Series Knuckle Pivot Ball Nut(GM)	4	SW-330118A	540001	Hook & Loop strap 2x27cm	4	SW-540001
330119	Front Upper Arm HingPin	2	SW-330119	610019	S35-3 Series Servo Saver Spring Dusty Protect Sponge	1	SW-610019
330122A	S350 Wheel Nut (HC)	4	SW-330122A	610020	S35-3 Series Center Big Bore Plastic Diff. Case Gasket	1	SW-610020
330123A	S350 EVO Rear Upper Sus. Arm Turnbuckles M5x38mm	2	SW-330123A	610023	S35-3W Diff. Gasket (0.4T)	2	SW-610023
330124	Pin M3.0x16.8mm	4	SW-330124	115004A	Servo Saver Spring	1	SW-115004A
330125	Rear Upper Sus. Arm Ball Stud	2	SW-330125	115005	Rear Sway Bar 2.8mm	1	SW-115005
330126A	S350 EVO Steering Turnbuckle M4x40mm	2	SW-330126A	115006	Rear Sway Bar 2.6mm	1	SW-115006
330134	Shock Ball Stud	9	SW-330134	115008A	Front Sway Bar 2.3mm	1	SW-115008A
330136	Sway Bar Ball Stud	4	SW-330136	115019	Body Clip	2	SW-115019
330138B	S350 EVO Aluminum Shock Cap Stud (-1.3mm)	2	SW-330138B	115035A	Front Sway Bar 2.2mm	1	SW-115035A
330243	SWORKz 3x16mm Shock Hex Screw Clockwise	2	SW-330243	115182	S35-4 Black Competition Front Shock Spring (US4-Dot)(62X1.6X7.5)	2	SWC-115182
330244	SWORKz 3x16mm Shock Hex Screw Anti-Clockwise	2	SW-330243	115191	S35 Series Competition Black Line Rear Shock Spring (RM3-Dot)(80X1.6X10.0)	2	SWC-115191
330245	BE1 Motor Gear 15T	1	SW-330245	116004R	Ball Bearing 6x10x3mm (Red Rubber Case)	4	SW-116004R
330399B	S35-3 Series Aluminum Rear Chassis Brace Mount (GM)	1	SW-330399B	116006R	Ball Bearing 8x16x5mm (Red Rubber Case)	14	SW-116006R
330557	S350 New BBS System Shock Seal Cap (GM)	4	SW-330557	116019R	Ball Bearing 5x13x4mm (Red Rubber Case)	4	SW-116019R
330560B	S35 New BBS System Shock Spring Adjust Nut (BK)	4	SW-330560B	117003	Flange Ball Bearing 3x6x2.5mm	4	SW-117003
330661A	S35-T/S35 Series Competition Center Drive Join (5mm set screw)	2	SW-330661A	118003	S35-4 EVO Series Servo Saver Spring	1	SW-118003
330633	S350 BBS System +5.6mm Shock Body L (HD)	2	SWC-330633	101004	Washer 3.5X10X0.2mm	12	SW-101004
330634	S350 BBS System +5mm Shock Body S (HD)	2	SWC-330634	101010A	M3 Countersunk Washer(GM)	4	SW-101010A
330663A	S350 Series S35 Competition Steel F-Center Drive Shaft (115mm)	1	SW-330663A	101011	M2.6x6xT0.6mm	4	SW-101011
330694A	S35 E Series 6mm Steel Ball Stud	1	SW-330694A	101012	M3x6xT0.6mm	6	SW-101012
330770	S35-3 Series Aluminum Rear Changeable Lower Arm Holder	1	SW-330770	101018	SHIM 13x16x0.2mm	12	SW-101018
330767A	S35-3 Series Steel F-Center Dive Shaft (88mm)	1	SW-330767	101019	SHIM 6.0x10.0x0.2mm	1	SW-101019
330779	S35-4/e EVO Series Steering Linkage Steel Ball Stud 7mm(L6)	2	SW-330779	101020A	S350 Sries 3mm Countersunk Washers (GM)	2	SW-101020A
330779T-ST	S35-4/e EVO Steering Linkage Steel Ball Stud 7mm (L6 Thread Type)	2	SW-330779T-ST	101026	SWORKz Aluminum Washer 3X6X1.5mm(GM)	1	SW-101026
330782	S35-3 Series Rear Hub Carriers Hinge Pin	2	SW-330782	101027	S350 BBD Steel Washer 5X14X0.5mm	3	SW-101027
338011	S35 series Pinion Gear Stopper (5x7x5.1mm)	2	SW-338011	101039	Steel Washer 5x12x0.3mm	6	SW-101039
338023	S35-3W Pinion Gear 13T	2	SW-338023	103001	M3 Nut Lock	18	SW-103001
338024	S35-3W Crown Gear 43T	2	SW-338024	103003A	Flange M3 Nut Lock (GM)	4	SW-103003A
338025	S35-3W Bevel Gear Shaft	6	SW-338025	103004	M2.5mm Nut Lock	8	SW-103004
338027	S35-3W Front/Rear Diff. Outdrive	4	SW-338027	103005	M4mm Nut Lock (BK)	4	SW-103005
338028	S35-3W Center Diff. Outdrive	2	SW-338028	104004	M3x3mm Set Screw	4	SW-104004
338039	S35-3/4 Series Center HET Spur Gear (46T)	1	SW-338039	104005	M3x4mm Set Screw	4	SW-104005
338043	S35-3/4 Series Servo Saver Nut with Screw Fixed	1	SW-338043	104009	M3x16mm Set Screw	1	SW-104009
338048	S35-4 Series Servo Saver Shaft	2	SW-338048	104010	M5x4mm Set Screw (Flat Bottom)	6	SW-104010
338056	S35-4 Series Lower Arm Hinge Pin (68.5mm)	4	SW-338056	104011	M4x4mm Set Screw (Flat Bottom)	1	SW-104011
338057A	S35-4/e EVO Series T7 Aluminum Front Upper Arm Holder	1	SW-338057A	105001	M3x8mm Cap Screw	1	SW-105001
338058A	S35-4/e EVO Series 5mm T7 Aluminum Front Lower Arm Plate (FF)	1	SW-338058A	105005	M3x12mm Cap Screw	6	SW-105005
338059	S35-4 Series T7 Aluminum Front Lower Arm Holder (FR)	1	SW-338059	105006A	M3x28mm Cap Screw full thread	2	SW-105006A

Parts No. List

Part No.	Part Name	Q`ty in Use	Item No.
105012	M3x10mm Cap Screw	2	SW-115012
105013A	M3x25mm Cap Screw	2	SW-105013A
105018	M2x6mm Cap Head Screw	1	SW-105018
105020	M4x10mm Cap Screw	2	SW-105020
105021	M3x6mm Conical Head Screw	4	SW-105021
106002	M3x10mm Hex Soket OH/TP Screw	11	SW-106002
106003	M3x16mm Hex Soket OH/TP Screw	4	SW-106003
106006	M3x20mm Hex Soket OH/TP Screw	3	SW-106006
106007	M3x12mm Hex Soket OH/TP Screw(HT)	3	SW-106007
106008	M3x12mm Hex Soket OH/TP Screw	6	SW-106008
106009	M3x25mm Hex Soket OH/TP Screw	6	SW-106009
106010	M3x6mm Hex Soket OH/TP Screw	7	SW-106010
106013	M2.5x8mm 1.5mmHex Soket OH/ST Screw	6	SW-106013
106015	M3x5mm Hex Soket OH/TP Screw	2	SW-106015
106020	M2.5x5mm 1.5mmHex Soket OH/ST Screw	10	SW-106020
106021A	S35 Series M4x10mm Hex Soket OH/TP Set Screw	4	SW-106021A
106022	M2.5x14mm Soket OH/ST Screw (1.5mmHex)	4	SW-106022
106024	M4x12mm Hex Soket OH/TP Screw	2	SW-106024
106025	M2.5x8mm Hex Soket OH/TP Screw	5	SW-228008BK
108001	M3x12mm FH/ST HEX Screw	26	SW-108001
108003	M3x10mm FH/ST HEX Screw	12	SW-108003
108005	M3x14mm FH/ST HEX Screw	4	SW-108005
108006	M3x8mm FH/ST HEX Screw	12	SW-108006
108007	M3x6mm FH/ST HEX Screw	12	SW-108007
108008	M3x35mm FH/ST HEX Screw	4	SW-108008
108013	M4x8mm FH/ST HEX Screw	6	SW-108013
108010	M4x10mm FH/ST HEX Screw	10	SW-108010
108012	M4x16mm FH/ST HEX Screw	8	SW-108012
108015	M3x16mm FH/ST HEX Screw	2	SW-108015
108019	M2.6x6mm FH/ST HEX Screw	2	SW-108019
108021	M3x18mm FH/ST HEX Screw	2	SW-108021
108029	M2.0x4.6mm FH/ST HEX Screw (1.5mm HexHead)	4	SW-108029

Spare Part List

Item No.	Part Name
SW-228001DG	S35-4 All Series Plastic Inserts Set (Durable)(Gray)(2 Sets)
SW-228002-1	S35-4 Series Plastic Rear Wheel Hub (R=L)(2PC)
SW-228002-2E	S35-4e EVO Series Plastic Front Chassis Shorty Brace
SW-228003A	S35 Series Integrated Wing Mount Set 2.0
SW-228004A	S35-4 Series Plastic Side Guard Set with Stopper
SW-228005H-F	S35-4 Series Front Lower Arm in Hard Material (1PC)
SW-228006	S35 Series Shock End/Body Mount/Ball Ends Set (2Set)
SW-228006-5	SWORKz 1/8 Series Plastic Linkage Ball End (Shorty)(2PC)
SW-228007-2	S35-4E Buggy Series Plastic Center Diff. Mount (2PC)
SW-228008BK	SWORKz 1/8 Off Road Formula 2.0 Race Wing (BK)
SW-228015H	SWORKz S35-4 Series Arched-Bridge-System Rear Lower Arm Set (Hard)(1PC)
SW-228016-1.2-8	SWORKz 1/8 BBS Precision Plastic Shock Piston(1.2X8Holes)(2PC)
SW-228016-1.3-8	SWORKz 1/8 BBS Precision Plastic Shock Piston(1.3X8Holes)(2PC)
SW-228016-DIY	SWORKz 1/8 BBS Precision Plastic Shock Piston(DIY)(4PC)
SW-228017	S35-4/e EVO Series Lay-Down Type Steering Bellcrank Set
SW-228018	S35-4e EVO Electric Series Steering Servo Mount & Rear Upper Deak Holder Set
SW-228019	S35-4e EVO Electric Series Receiver Box & Accessories Set
SW-228020	S35-4e EVO Electric Series Battery Case (1PC)
SW-228021	SWORKz 1/8 Steering and Throttle Servo Horn Set
SW-2501097B	S35 Series Front Bumper (2PC)
SW-2501121C	S35/S350 Series Ball End Set with Shock Plastic Parts
SW-2503260	S353 Series Plastic Inserts Set
SW-2503260-04	S35/S350 Series Plastic Knuckle Inserts Set
SW-2503261A	S35-3/GT Series Gear Box Set (Fit 5x13x4mm Ball Bearing)
SW-2503264A	S35-3 Series Front Steering Knuckle (Type 2.0)
SW-2503270-01	S35-3 Series Front Upper Arms (2pc)
SW-2503270-02	S35-3 Series Rear Upper Arm Outside Ball Ends (2pc)
SW-2503270-03	S35-3 Series Front Steering Ball Ends (4pc)
SW-210046	S350 Series LDS Universal Cross Drive Shaft Set 92.5mm (1pc)
SW-210079A	S35-4 Plastic Center Big Bore HET Diff Case
SW-210091	S35-3W Plastic Front/Rear Big Bore Diff Case
SW-200193	Antenna Tube
SW-258001C-E	S35 Series Falcon ST-4 Clean Body Shell (Pre-Cut for EP Buggy)
SW-328001	S35-3/4 Series HET Diff. Bevel Gear Set
SW-330015	Pin M2.2x9.9mm
SW-330117A	S350 Series Knuckle Pivot Ball Washer (GM)
SW-330118A	S350 Series Knuckle Pivot Ball Nut (GM)
SW-330119	Front Upper Arm HingPin
SW-330122A	S350 Wheel Nut (HC)
SW-330123A	S350 EVO Rear Upper Sus. Arm Turnbuckles M5x38mm
SW-330124	Pin M3.0x16.8mm
SW-330125	Rear Upper Sus. Arm Ball Stud
SW-330126A	S350 EVO Steering Turnbuckle M4x40mm
SW-330134	Shock Ball Stud 6mmxL6.7
SW-330136	Sway Bar Ball Stud
SW-330138B	S350 Series Aluminum Shock Cap Stud (-1.3mm)(2PC)
SW-330243	SWORKz 3x18mm Shock Hex Screw Set (Anti-Clockwise)
SW-330245	SWORKz 1/8 Motor Pinion Gear 15T
SW-330399B	S35-3 Series Aluminum Rear Chassis Brace Mount (GM)
SW-330557	S350 New BBS System Shock Seal Cap (GM)
SW-330560B	S35 New BBS System Shock Spring Adjust Nut (BK)
SW-330633	S350 BBS System +5.6mm Shock Body L
SW-330634	S350 BBS System +5mm Shock Body S
SW-330663A	S35-3 Series Steel R-Center Drive Shaft (115mm)
SW-330661A	S35-T/S35 Series Competition Center Drive Join (5mm set screw)
SW-330694A	S35 E Series 6mm Steel Ball Stud
SW-330767A	S35-3 Series Steel F-Center Dive Shaft (88mm)
SW-330770	S35-3 Series Aluminum Rear Lower Fully Adjustable Toe-In Block (A)
SW-330779	S35-4/e EVO Series Steering Linkage Steel Ball Stud 7mm(L6)
SW-330779T-ST	S35-4/e EVO Steering Linkage Steel Ball Stud 7mm (L6 Thread Type)
SW-330782	S35-3 Series Rear Hub Carriers Hinge Pin
SW-338011	S35-3 series Pinion Gear Stopper (5x7x5.1mm)(4PC)
SW-338023	S35-3W Pinion Gear 13T
SW-338024	S35-3W Crown Gear 43T
SW-338025	S35-4 HET Bevel Gear Shaft (2pc)
SW-338027	S35-4 Front/Rear HET Diff. Outdrive (2pc)
SW-338028	S35-4 Center HET Diff. Outdrive (2pc)
SW-338039	S35-3/4 Series Center HET Spur Gear (46T)
SW-338043	S35-3/4 Series Servo Saver Nut with Screw Fixed
SW-338048	S35-4 Series Servo Saver Shaft(2PC)
SW-338056	S35-4 Series Lower Arm Hinge Pin (68.5mm)(2pc)
SW-338057A	S35-4/e EVO Series T7 Aluminum Front Upper Arm Holder
SW-338058A	S35-4/e EVO Series 5mm T7 Aluminum Front Lower Arm Plate (FF)
SW-338059	S35-4 Series T7 Aluminum Front Lower Arm Holder (FR)
SW-338062A	S35-4 Series BBS System Teflon Coated Durable Shock Shaft (L)

Spare Part List

Item No.	Part Name	Item No.	Part Name
SW-338063A	S35-4 Series BBS System Teflon Coated Durable Shock Shaft (S)	SW-106021A	S35 Series M4x10mm Hex Soket OH/TP Set Screw
SW-338067	S35-4 Series Emulsion/Bladder 2 Ways Syatem Shock Cap (2PC)	SW-106022	M2.5x14mm Socket OH/ST Screw (1.5mmHex)
SW-338068	S35-4 Series T7 Aluminum Shock Stud (L)(2PC)	SW-106024	M4x12mm Hex Soket OH/TP Screw (8PC)
SW-338070B	S35 Series Rear Upper Sus. Arm Ball Stud (7.0mm Hex)	SW-108001	M3x12mm FH/ST HEX Screw
SW-338080	S35/S350 Series Lightened Wheel Hub for 8mm Axil (L5.5mm)	SW-108003	M3x10mm FH/ST HEX Screw
SW-338082A	S35-4/GT2/E Series T7075 Aluminum Intensity Rear/Front Narrow Lower Suspension Plate (RF)	SW-108005	M3x14mm FH/ST HEX Screw
SW-338112	S35-4 Series T7075 Aluminum Front Shock Tower for High Capacity Shock System	SW-108006	M3x8mm FH/ST HEX Screw
SW-338113	S35-4 Series T7075 Aluminum Rear Shock Tower for High Capacity Shock System	SW-108007	M3x6mm FH/ST HEX Screw
SW-338122-R	S35/S350/Apollo Series Lightened Steering Knuckle Pivot Ball Turnbuckle (Clockwise)(2PC)	SW-108008	M3x35mm FH/ST HEX Screw
SW-338122-L	S35/S350/Apollo Series Lightened Steering Knuckle Pivot Ball Turnbuckle (Anti-Clockwise)(2PC)	SW-108010	M4x10mm FH/ST HEX Screw
SW-338123	S35-4/e EVO Series Servo Saver Post Lay-Down Type (Hard Coated)	SW-108012	M4x16mm FH/ST HEX Screw
SW-338124	S35-4/e EVO Series T7 Aluminum Steering Plate	SW-108013	M4x8mm FH/ST HEX Screw
SW-338125	S35-4e EVO Series T7075 Aluminum Lightened Main Chassis	SW-108015	M3X16mm FH/ST HEX Screw (10pc)
SW-338126	S35-4/e EVO Series T7 Aluminum Settring Bellcrank Upper Part-A	SW-108019	M2.6x6mm FH/ST HEX Screw
SW-338127	S35-4e Electric Buggy Series Aluminum Center Diff. Mount	SW-108021	M3x18mm FH/ST HEX Screw (10PC)
SW-338128	S35-4e Electric Buggy Series T7 Aluminum Motor Mount	SW-108029	M2.0x4.6mm FH/ST HEX Screw (1.5mm HexHead)
SW-338129	S35-4e Electric Buggy Series T7 Aluminum Center Diff/Motor Unit Mount (CF)	SW-115005	Rear Sway Bar 2.8mm
SW-348005	S35-4/e EVO Series Pro-composite Carbon Steering Knuckle Plate (L&R)(1PC)	SW-115006	Rear Sway Bar 2.6mm
SW-348007	S35-4/e EVO Series Pro-composite Carbon Steering Bellcrank Plate(1PC)	SW-115008A	Front Sway Bar 2.3mm
SW-348008	S35-4e EVO Electric Series Pro-composite Carbon Center Diff. Plate(1PC)	SW-115019	Body Clip
SW-348009	S35-4e EVO Electric Series Pro-composite Carbon Steering Servo Mount Plate(1PC)	SW-115035A	S35/350 Series Front Sway Bar 2.2mm
SW-340003	S35-3 Series Pro-composite Carbon Front Upper Arm Cover Set (1mm)	SWC-115182	S35-4 Black Competition Front Shock Spring (US4-Dot)(62X1.6X7.5)
SW-340016	S35-4 Series Pro-composite Carbon Rear Wheel Hub Adjust Plate (R=L)(2PC)	SWC-115191	S35 Series Competition Black Line Rear Shock Spring (RM3-Dot)(80X1.6X10.0)
SW-400002	O-ring S5 4.8X1.5	SW-116004R	Ball Bearing 6x10x3mm (Red Rubber Case)(4PC)
SW-400005	Shock Spring Adjust Nut O-Ring	SW-116006R	Ball Bearing 8x16x5mm (Red Rubber Case)(10PC)
SW-400006	SWORKz 1/8 BBS Shock Seal O-Ring (8PC)	SW-116019R	Ball Bearing 5x13x4mm (Red Rubber Case)(4PC)
SW-400009	Shock Boot (L)	SW-117003	Flange Ball Bearing 3x6x2.5mm (2pc)
SW-400010	Shock Boot (S)	SW-118003	S35-4 EVO series Servo Saver Spring
SW-400013	SWORKz Shock Seal O-ring 2x2.7mm (8PC)		
SW-400019	S350 New BBS System Shock Spring Adjust Nut O-Ring (4pc)		
SW-400020	S350 New BBS System Shock Seal O-Ring (4pc)		
SW-400024S	S35 Series BBS System Hex-Cell Shock Bladder (Soft)(4PC)		
SW-420010	Antenna Cup		
SW-510091	SWORKz Original Logo Sticker (2PC)		
SW-610019	S35-3 Series Servo Saver Spring Dusty Protect Sponge (2pc)		
SW-610020P	S35 Series Center Big Bore Diff. Paper Gasket (0.4T)(3PC)		
SW-610023P	S35-4 HET Diff. Paper Gasket (0.4T)(3PC)		
SW-101004	Washer 3.5X10X0.2mm		
SW-101010A	M3 Countersunk Washer(GM)		
SW-101011	M2.6x6xT0.6mm		
SW-101012	M3x6xT0.6mm		
SW-101018	SHIM 13x16x0.2mm		
SW-101019	SHIM 6.0x10.0x0.2mm		
SW-101020A	S350 Sries 3mm Countersunk Washers (GM)		
SW-101021	M3x8xT0.8mm		
SWC-101027	S35 BBD Steel Washer 5X14X0.5mm		
SW-101039	Steel Washer 5x12x0.3mm		
SW-103001	M3 Nut Lock		
SW-103003A	Flange M3 Nut Lock (GM)		
SW-103004	M2.5mm Nut Lock		
SW-103005	M4mm Nut Lock (BK)(10PC)		
SW-104004	M3x3mm Set Screw		
SW-104005	M3x4mm Set Screw		
SW-104009	M3x16mm Set Screw		
SW-104010	M5x4mm Set Screw (Flat Bottom)		
SW-104011	M4x4mm Set Screw (Flat Bottom)		
SW-105001	M3x8mm Cap Screw		
SW-105005	M3x12mm Cap Screw		
SW-105006A	M3x28mm Cap Screw full thread		
SW-105012	M3x10mm Cap Screw (10pc)		
SW-105013A	M3x25mm Cap Screw		
SW-105018	M2x6mm Cap Head Screw (10PC)		
SW-105020	M4x10mm Cap Screw (8PC)		
SW-105021	M3x6mm Conical Head Screw (10PC)		
SW-106001	M3x8mm Hex Soket OH/TP Screw		
SW-106002	M3x10mm Hex Soket OH/TP Screw		
SW-106003	M3x16mm Hex Soket OH/TP Screw		
SW-106006	M3x20mm Hex Soket OH/TP Screw		
SW-106007	M3x12mm Hex Soket OH/TP Screw (HT)		
SW-106008	M3x12mm Hex Soket OH/TP Screw		
SW-106009	M3x25mm Hex Soket OH/TP Screw		
SW-106010	M3x6mm Hex Socket OH/TP Screw		
SW-106013	M2.5x8mm 1.5mmHex Soket OH/ST Screw		
SW-106015	M3x5mm Hex Soket OH/TP Screw		
SW-106020	M2.5x5mm 1.5mmHex Soket OH/ST Screw		

Option Part List

Item No.	Part Name	Item No.	Part Name
SW-116010B	High Performance Ball Bearing 5x10x4mm(coffee)(4pc)	SWC-116019A	SWORKz Competition 5x13x4mm Ball Bearing (Metal Case)(4PC)
SW-250050	SWORKz 1/8 Off Road Formula Bulkhead Wing (4PC)/ Front Upper Arm's Wing Set (4PC)	SWC-116019B	SWORKz Competition 5x13x4mm Ball Bearing (Metal Case/Japan)(4PC)
SW-250050A	SWORKz 1/8 Off Road Formula Bulkhead Lexan Wing (0.8mm)(4PC)	SW-218001	S35/350 Series Font Sway Bar Set (2.0/2.1/2.2/2.3/2.4/2.5/2.6/2.8mm)
SW-2501529H	S35/S350 Series Hard Plastic Chassis Brace Set	SW-218002	S35/350 Series Rear Sway Bar Set (2.4/2.5/2.6/2.7/2.8/3.0mm)
SW-2503260FO	S353 Series Colorful Plastic Inserts Set (FO)	SWC-218022-E	SWORKz S35-4E/T2e/GT2e Electric Competition Ball Bearing Kit (Metal Case)(18PC)
SW-2503260FY	S353 Series Colorful Plastic Inserts Set (FY)	SW-348003-10	SWORKz S35-4 Series Pro-composite Carbon Arched-Bridge-System Rear Lower Arm Cover(1.0mm)(2PC)
SW-2503260LB	S353 Series Colorful Plastic Inserts Set (SB)(2 SET)	SW-348003-15	SWORKz S35-4 Series Pro-composite Carbon Arched-Bridge-System Rear Lower Arm Cover (1.5mm)(2PC)
SW-2503270-01H	S35-3 Series Front Upper Arms with Hard Material (2pc)	SW-348003-20	SWORKz S35-4 Series Pro-composite Carbon Arched-Bridge-System Rear Lower Arm Cover (2.0mm)(2PC)
SW-210079AH	S35-4 Plastic Center Big Bore HET Diff Case (Hard)	SWC-340007	S35-3 Series Pro-composite Carbon Front Upper Done Force Wing Set
SW-210091H	S35-4 Plastic Front/Rear Big Bore HET Diff Case (Hard)	SWC-338015	S35-3 T-7075AL Rear Hub Carry for Wide Suspension (R=L)(1pc)
SW-218006	S35-4 Series HET Front/Rear Big Bore Diff. Set (43T)	SW-338075	S35-4 Series T7 Aluminum Rear Wheel Hub (R=L)(2PC)
SW-218008	S35-3 Series HET Diff. Combo Kit	SWC-115163	S35 Series Black Competition Front Shock Spring (M4-Dot)(75X1.6X8.75)
SW-218026-F	S35-4/e EVO Series BBS Higher Capacity Shock Complete Front Set	SWC-115164	S35 Series Black Competition Front Shock Spring (M3-Dot)(75X1.6X9.0)
SW-218026-R	S35-4/e EVO Series BBS Higher Capacity Shock Complete Rear Set	SWC-115165	S35 Series Black Competition Front Shock Spring (M2-Dot)(75X1.6X9.25)
SW-218030	S35-4WE to Evo Upgrade Conversion Kit	SWC-115182	S35-4 Black Competition Front Shock Spring (US4-Dot)(62X1.6X7.5)
SW-218031	S35-4 EVO Lay-Down Type Steering Bellcrank Upgrade Package	SWC-115184	S35-4 Black Competition Front Shock Spring (US2-Dot)(62X1.6X8.0)
SW-228013BK	SWORKz 1/8 Off Road Pro-Speed 2.0 Race Wing (BK)(Pre-Holes)	SWC-115190	S35 Series Competition Black Line Rear Shock Spring (RM4-Dot)(80X1.6X9.75)
SW-228013WH	SWORKz 1/8 Off Road Pro-Speed 2.0 Race Wing (WH)(Pre-Holes)	SWC-115192	S35 Series Competition Black Line Rear Shock Spring (RM2-Dot)(80X1.6X10.25)
SW-228013FY	SWORKz 1/8 Off Road Pro-Speed 2.0 Race Wing (FY)(Pre-Holes)	SWC-218007A	S35 Series Evolution-CVA Drive Shaft Set 92.5mm(1 Sets)
SW-228001RD	S35-4 Series Colorful Plastic Inserts Set (Red)	SWC-218007D	S35 Series Advance-CVD Drive Shaft Set 92.5mm(1 Sets)
SW-228005S-F	S35-4 Series Front Lower Arm in Soft Material (1PC)	SWC-338071	S35 Series Advance-CVD Drive Axil (1PC)
SW-228005M-F	S35-4 Series Front Lower Arm in Medium Material (1PC)	SWC-338072	S35 Series Advance-CVD Drive Shaft (92.5mm)(1PC)
SW-228015S	SWORKz S35-4 Series Arched-Bridge-System Rear Lower Arm Set (Soft)(1PC)	SWC-338073	S35 Series Evolution-CVA Drive Axil (1PC)
SW-228015M	SWORKz S35-4 Series Arched-Bridge-System Rear Lower Arm Set (Medium)(1PC)	SWC-338074	S35 Series Evolution-CVA Drive Shaft (92.5mm)(1PC)
SW-228015U	SWORKz S35-4 Series Arched-Bridge-System Rear Lower Arm Set (Ultra-Hard)(1PC)	SWC-338076	S35 Series E-CVA/A-CVD Pin M2.5x14 (2PC)
SW-228022ABK	SWORKz 1/8 Off Road Pro Race Wing (BK)(W/o Holes)	SWC-338077	S35-4 Series E-CVA/A-CVD Axil Join (2PC)
SW-228022AWH	SWORKz 1/8 Off Road Pro Race Wing (WH)(W/o Holes)	SWC-228012	1/8 E-CVD/A-CVA Axil Holder (10PC)
SW-228022AFY	SWORKz 1/8 Off Road Pro Race Wing (FY)(W/o Holes)	SWC-338102	S35 Series Pro-Titanium Pivot Ball Turnbuckle (2PC)
SW-228013BK	SWORKz 1/8 Off Road Pro-Speed 2.0 Race Wing (BK)(Pre-Holes)	SWC-338103	SWORKz 1/8 Series Pro-Titanium Linkage Turnbuckle (M5x35mm)(2PC)
SW-300049	SWORKz S35-3/S350 Series Rear Stainless Chassis End Protection (2PC)	SWC-338104	SWORKz 1/8 Series Pro-Titanium Linkage Turnbuckle (M4x40mm)(2PC)
SW-330115	Steering Knuckle Pivot Ball Turnbuckle	SWC-338105	SWORKz Pro-Titanium Linkage Turnbuckle (M3x30mm)(2PC)
SW-330116	14mm Knuckle Pivot Ball		
SW-330125A	S350 Series Aluminum Rear Upper Sus. Arm Ball Stud (4pc)		
SW-330134A	S350 Series Aluminum Shock Ball Stud (4pc)		
SW-330136A	S350 Series Aluminum Sway Bar Ball Stud (4pc)		
SW-330168A	S35-3 Series Rear Chassis Blance wight 15g (2pc)		
SW-330398A	SWORKz S350 Series Pro Wheel Nut (GM)		
SW-330420	S350 Series Knuckle Pivot Ball Balance Nut (5.5g) (2pc)		
SW-330424	S350 Series Aluminum Wing Holder (RED)		
SW-330424B	S350 Series Aluminum Wing Holder (BK)		
SW-330424G	S350 Series Aluminum Wing Holder (GM)		
SW-330505A	S35 Series Lightened Wheel Hub for 8mm Axil (L6.5mm)		
SW-330506A	S35 Series Lightened Wheel Hub for 8mm Axil (L5.0mm)		
SW-330235	SWORKz 1/8 Motor Pinion Gear 13T		
SW-330239	SWORKz 1/8 Motor Pinion Gear 14T		
SW-330246	SWORKz 1/8 Motor Pinion Gear 16T		
SW-330247	SWORKz 1/8 Motor Pinion Gear 17T		
SW-330817	SWORKz 1/8 EP Motor Pinion Gear 18T		
SW-330818	SWORKz 1/8 EP Motor Pinion Gear 19T		
SW-330819	SWORKz 1/8 EPMotor Pinion Gear 20T		
SW-330663	S35-3 Series Aluminum R-Center Drive Shaft (115mm)		
SW-330767	S35-3 Series T-7075 Aluminum F-Center Dive Shaft (88mm)		
SW-330779T-AL	S35-4/e EVO Steering Linkage Aluminum Ball Stud 7mm (L6 Thread Type)(4PC)		
SW-338030-57	S35-4 Series High Density Spur Gear for Big Bore Diff. Case (57T)		
SW-338030-58	S35-4 Series High Density Spur Gear for Big Bore Diff. Case (58T)		
SW-338030-59	S35-4 Series High Density Spur Gear for Big Bore Diff. Case (59T)		
SW-338030-60	S35-4 Series High Density Spur Gear for Big Bore Diff. Case (60T)		
SW-338034E	S35-4e EVO Series Lightened Aluminum Front Chassis Shorty Brace		
SW-338070A	S35 Series Rear Upper Arm Aluminum Ball Stud (2PC)		
SW-338075	S35-4 Series T7 Aluminum Rear Wheel Hub (R=L)(2PC)		
SW-338078-25	SWORKz Uni-Design 2-Way System Aluminum Steering Servo Horn 25T		
SW-338078-23	SWORKz Uni-Design 2-Way System Aluminum Steering Servo Horn 23T		
SW-338117-19	S35-4e/GT2e/T2e Series High Density Motor Pinion Gear 19T		
SW-338117-20	S35-4e/GT2e/T2e Series High Density Motor Pinion Gear 20T		
SW-338117-21	S35-4e/GT2e/T2e Series High Density Motor Pinion Gear 21T		
SW-338117-22	S35-4e/GT2e/T2e Series High Density Motor Pinion Gear 22T		
SW-338117-23	S35-4e/GT2e/T2e Series High Density Motor Pinion Gear 23T		
SW-338117-24	S35-4e/GT2e/T2e Series High Density Motor Pinion Gear 24T		
SW-338122-R	S35/S350/Apollo Series Lightened Steering Knuckle Pivot Ball Turnbuckle (Clockwise)(2PC)		
SW-338122-L	S35/S350/Apollo Series Lightened Steering Knuckle Pivot Ball Turnbuckle (Anti-Clockwise)(2PC)		
SW-338124P	S35-4/e EVO Series T7 Aluminum Pro Steering Plate		
SW-340003A	S35-3 Series Pro-composite Carbon Front Upper Arm Cover (1.5mm)(2PC)		
SW-400022A-M	S35 Series BBS System Pro Shock Bladder (Medium)(8PC)		
SW-400024M	S35 Series BBS System Hex-Cell Shock Bladder(Medium)(4PC)		
SWC-116006C	SWORKz Competition 8x16x5mm Ball Bearing (Metal Case)(6PC)		

S35-4EVO

1/8 Off Road Brushless Power Pro Buggy



SPEEDMASTER HOBBY CO., LTD.

TEL: +886-3-538-7638

FAX: +886-3-538-7328

No.42, Ruiguang St., Xiangshan Dist.,
Hsinchu City 300, Taiwan (R.O.C.)

www.sworkz.com