

Race time / Lap: _____

Best lap: _____

Name: _____
 Date: _____
 Track: _____

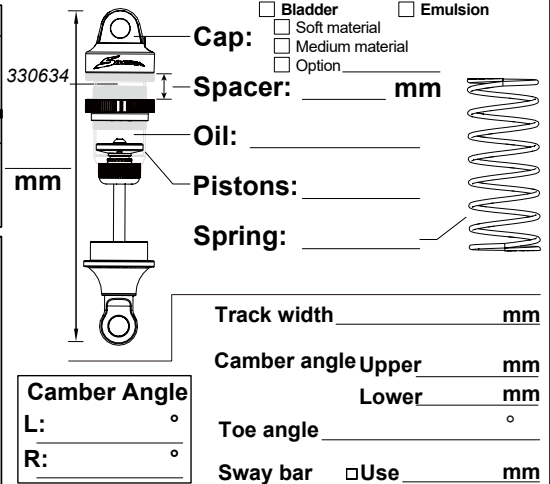
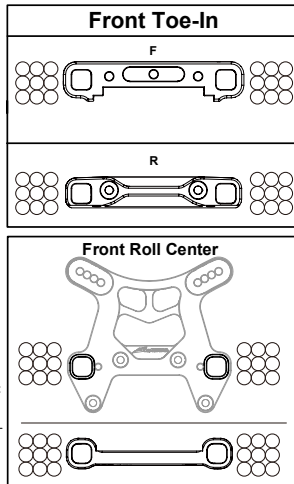
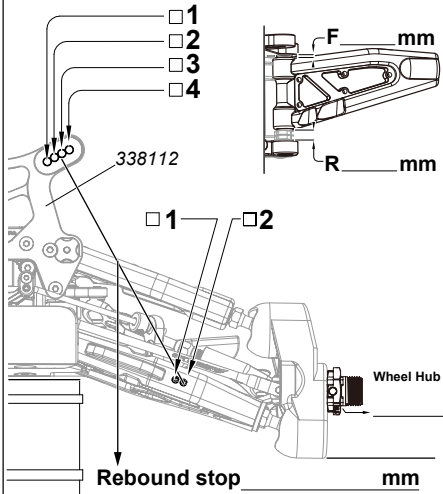
Diff. Oil
 Front: _____
 Center: _____
 Rear: _____

Track Conditions
 Size: Open Med. Tight
 Traction: High Med. Low
 Surface: Smooth Med. Bumpy

Tire
 Front Type: _____
 Front Foam: _____
 Rear Type: _____
 Rear Foam: _____

Electric System
 ESC Type: _____
 Motor Type: _____
 Motor Gear/Spur Gear: _____
 Battery Type A: Standard Pack _____
 Battery Type B: Shorty Pack _____

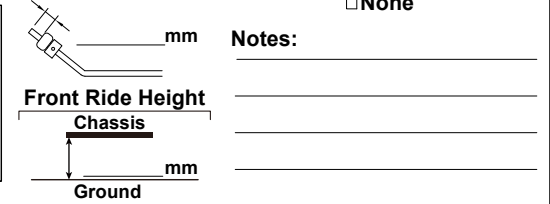
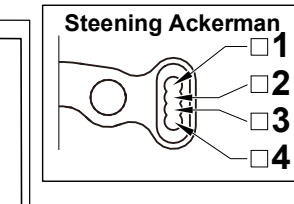
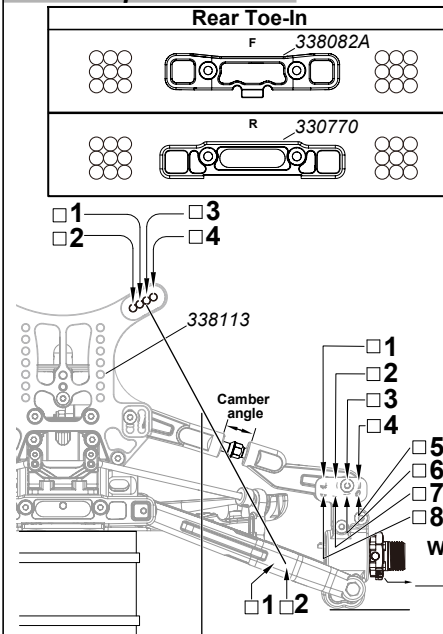
Front Suspension



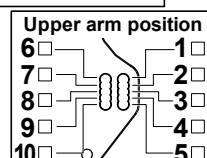
Camber Angle
 L: _____ °
 R: _____ °

Track width _____ mm
 Camber angle Upper _____ mm
 Lower _____ mm
 Toe angle _____ °
 Sway bar Use _____ mm
 None

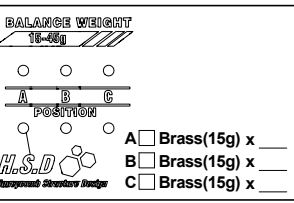
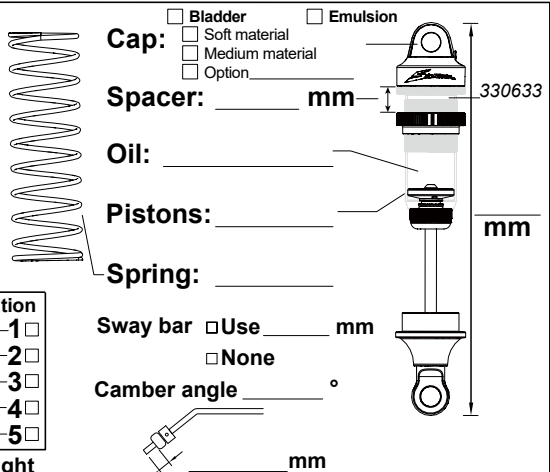
Rear Suspension



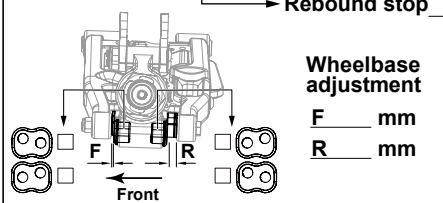
Body: _____
Wing: _____
Wing Position
 H5
 H4
 H3 H5
 H2 H4
 H1 H3
 H2
 H1
Wing Angle: _____ °



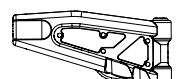
Rear Ride Height
 Chassis _____ mm
 Ground _____ mm

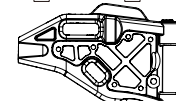


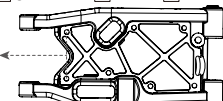
Notes:



Option Parts List

Front Upper Arm
 Hard Soft

 Carbon Cover _____ mm

Front Lower Arm
 Ultra Hard Hard Medium Soft

 Carbon Cover _____ mm

Rear Lower Arm (228015)
 Ultra Hard Hard Medium Soft
 Use None

 Carbon Cover _____ mm