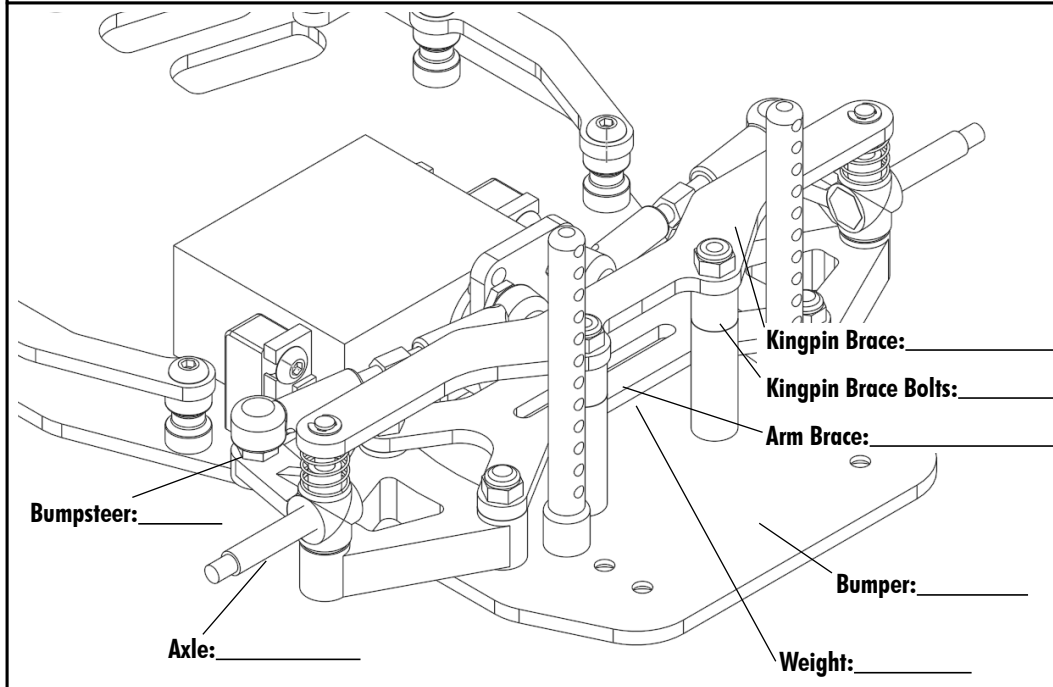
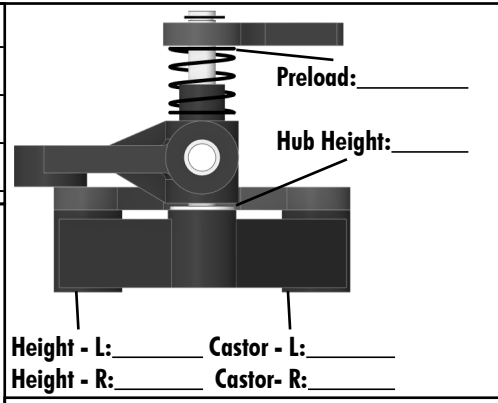


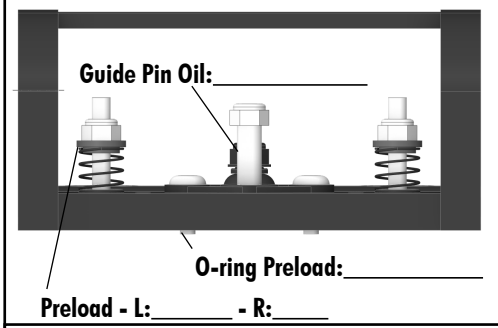
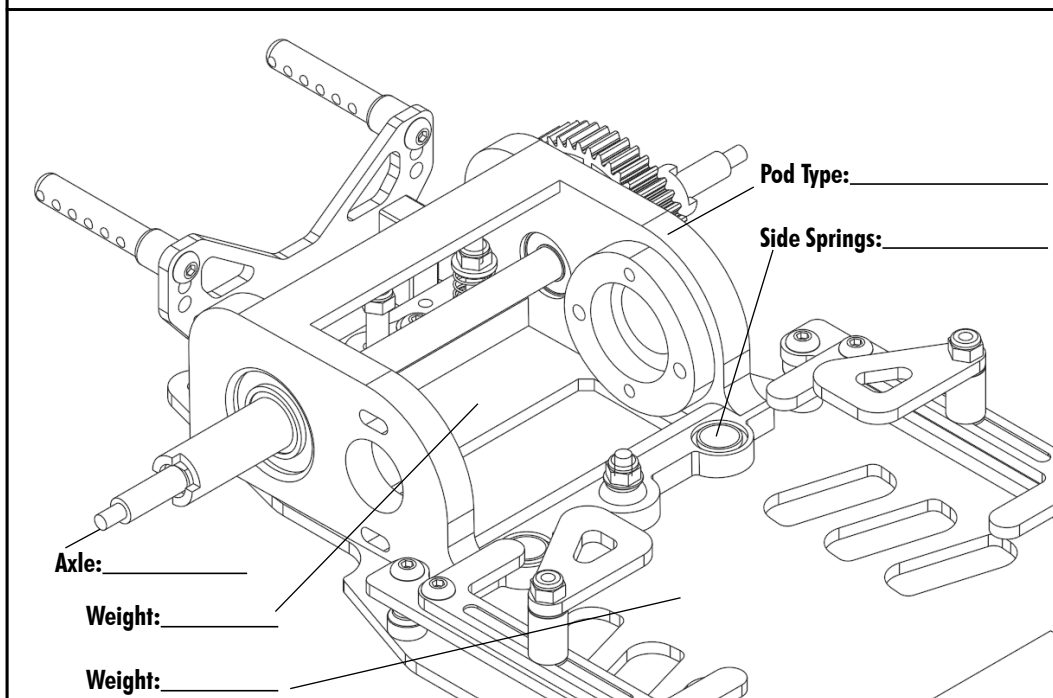
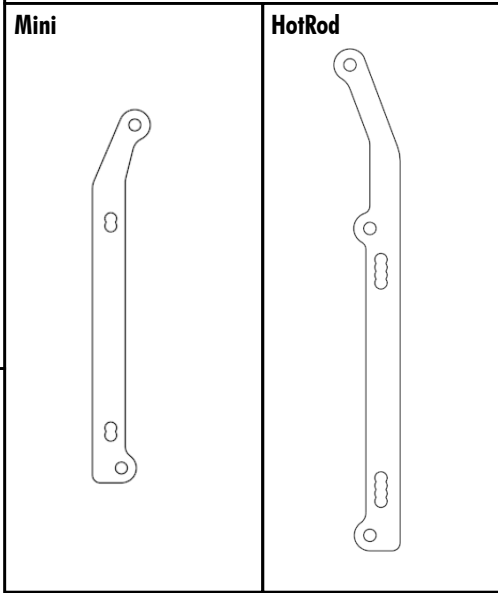
Driver: _____ Traction: Low Medium High
 Circuit: _____ Layout: Open Tight
 Date: _____ Surface: Bumpy Smooth



Pinion: _____ Spur: _____ Ride Height - Front: _____ / Rear: _____
 Motor: _____ Ride Height - Front: _____ / Rear: _____
 ESC: _____ Ride Height - Left: _____ / Right: _____
 Motor Spacer: _____ Weight: _____



Spring - L: _____ - R: _____
 Arm: _____
 Hub: _____



Spring - L: _____ - R: _____
 Droop: _____
 Balljoint Preload: _____
 Balljoint Spacing: _____

Front Tyres

Rim: _____
 Tyre - L: _____ - R: _____
 Additive: _____
 Diameter - L: _____ - R: _____
 Sidewall glue: _____
 Bearing: _____
 Toe: _____

Rear Tyres

Rim: _____
 Tyre - L: _____ - R: _____
 Additive: _____
 Diameter - L: _____ - R: _____
 Sidewall glue: _____