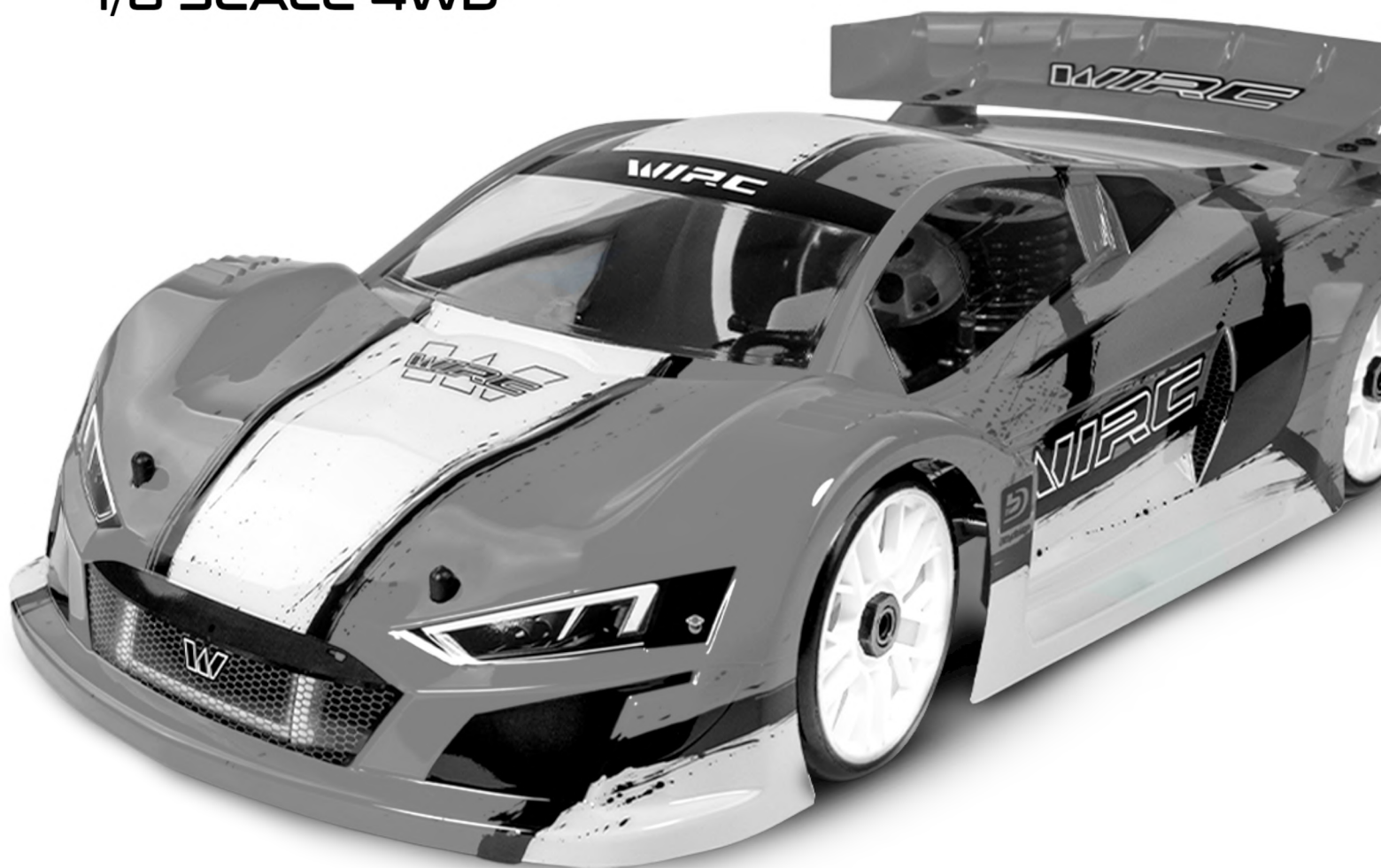


# GT4R.1

NEW GENERATION RC CAR

ONROAD NITRO GT  
1/8 SCALE 4WD



INSTRUCTION MANUAL

**WRC**  
PROFESSIONAL RC CAR

[WWW.WIRCACING.COM](http://WWW.WIRCACING.COM)

# GT4R

## TECHNICAL INFORMATION

- BRAKE: Laser cut brake disk with Ferodo brake pad
- WHEELS LOCK: Lightweight 17 mm 7075 T6 Nut
- CHASSIS: 4.0 mm Swiss 7075 T6 aluminium
- RADIO PLATE: Carbon Fiber & Composite Material
- DRIVETRAIN TYPE: Spring steel CVD Driveshafts
- FRONT DIFFERENTIAL: Differential Gear
- REAR DIFFERENTIAL: Differential Gear
- SUSPENSION: Pivot ball suspension
- RIDE HEIGHT: Adjustable Front & Rear
- CAMBER: Adjustable Front & Rear
- CASTER: Adjustable Front
- TOE: Adjustable Front & Rear
- ROLLCENTER: Adjustable Front & Rear
- ACKERMANN: Adjustable Front
- ANTI-ROLL BARS: Adjustable Front & Rear

## TECHNICAL DATA

- WIDTH .....310 mm
- WHEEL BASE .....adjustable 315-320 mm
- WEIGHT READY TO RUN .....3500g
- FUEL TANK.....150cc
- TWO SPEED GEAR BOX
- 4 SHOES EXPANSION CLUTCH

## ADDITIONAL ITEMS NEEDED FOR COMPLETION

REQUIRED BUT NOT INCLUDED IN THE KIT



ENGINE AND MUFFLER



TRANSMITTER



RECEIVER



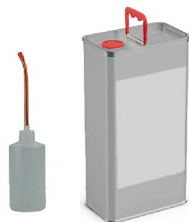
1 STEERING SERVO  
1 THROTTLE/BRAKE SERVO



BATTERIES  
FOR TRANSMITTER  
AND RECEIVER



WHEEL - TYRES - INSERTS



FUEL AND FUEL PUMP



STARTER GLOW  
PLUG IGNITER



STARTER



BODY

## TOOLS REQUIRED

THESE TOOLS ARE NOT INCLUDED IN THE KIT BUT ARE REQUIRED FOR PROPER ASSEMBLY



ALLENS:  
1.5 mm 2 mm  
2.5 mm 3 mm



SOCKET  
5mm



SIDE CUTTERS



COMBINATION PLIERS



TOOL FOR  
TURNBUCKLES/NUTS



WHEEL NUT TOOL  
17mm



GREASE



OILS:  
5000 CST  
BEARING OIL

## NOTICE:

THESE ITEMS ABOVE ARE NEEDED FOR COMPLETION OF THE GT4R; THEY ARE NOT INCLUDED IN THIS KIT (UNLESS NOTED) AND SHOULD BE OBTAINED FROM YOUR LOCAL HOBBY SHOP. BE SURE TO READ THE INSTRUCTION COMPLETELY PRIOR TO ASSEMBLY



## INTRODUCTION

GT4R is a new generation high quality 1/8 scale GT nitro car.  
GT4R is supplied in a box, you can download the Instruction manual from [www.wircracing.com](http://www.wircracing.com)  
Its use is intended for more than 16 years old persons with experience on rc model car field.  
Children and all the persons without this requirement MUST have direct supervision of a knowledgeable adult responsible.

## SAFETY PRECAUTIONS

Instruction Manual MUST be read and fully understood before to start building and operating functions.  
Always keep Instruction Manual in safety place, ready to be consulted for any reference you need.  
Use only original WIRC spare parts.

## GENERAL INFORMATION

Assemble the kit only away from the reach of children.  
Follow the building and operating instructions using the utmost care.  
Don't put any part of your body inside rotating and moving elements as this may cause damage or serious injury.  
Check and clean the model before putting it away.  
Don't use your model car in public places or in roads and areas where it could generate conflict with person or vehicular traffic.  
The model car is controlled by radio: you MUST put great care to avoid loss of radio control always keeping a safety margin all around your model in order to prevent any collision.  
Operating frequency: check and be sure it is clear and not shared with anybody at same time; it could cause loss of control of the RC model.  
Always turn on your transmitter before you turn on the receiver in the car and always turn off the receiver before you turn off your transmitter.  
Keep the wheels of the model off the ground when checking the operation of the radio equipment.  
Disconnect the battery pack before storing your model.

## WARRANTY

WIRC guarantees this model kit to be free from defects in both material and workmanship within 30 days of purchase.  
The total monetary value under warranty will in no case exceed the cost of the original kit purchased.  
This warranty doesn't cover any components damaged by use or modification or as result of wear.  
Part or parts missing from this kit must be reported within 30 days of purchase.  
No part or parts will be sent under warranty without proof of purchase.  
If you find a defective or missing part, contact the local distributor.  
Customer service and support will be provided through local hobby store.  
No warranties are expressed or implied that cover damage caused by what is considered normal use or cover or imply how long any model cars' components or electric components will last before requiring replacement.  
Due to the high performance level of this model car you will need to periodically maintain and replace consumable components; any and all warranty coverage will not cover replacement of any part or component damaged by neglect, abuse or improper or unreasonable use.  
This includes but is not limited to damage from crashing, excessive moisture, improper use or no maintenance or user modifications which compromise the integrity of components.  
Warranty will not cover components that are considered consumable on RC model car.  
WIRC doesn't pay nor refund on any component sent from WIRC or its distributor for warranty.  
WIRC reserves the right to make final determination of the warranty status of any component or part  
Use only original WIRC spare parts.

## CUSTOMER SUPPORT

Please don't hesitate to contact WIRC support at [info@wircracing.com](mailto:info@wircracing.com) for any problem or question.

Also kindly visit our website [www.wircracing.com](http://www.wircracing.com) to find last updates, set-up, option parts and other informations.

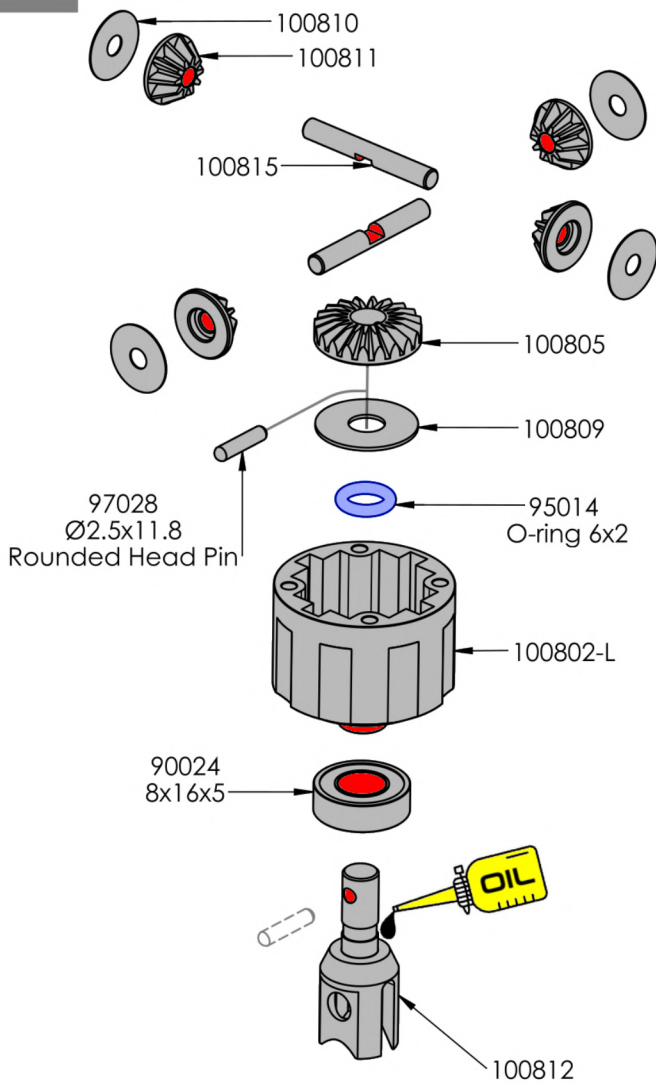
### World racing car s.r.l.

Via A. Volta 2 Bis  
36040 Brendola (VI)  
ITALY

Phone: 0039 0444 1792263  
E-mail: [sales@wircracing.com](mailto:sales@wircracing.com)  
Website: [www.wircracing.com](http://www.wircracing.com)



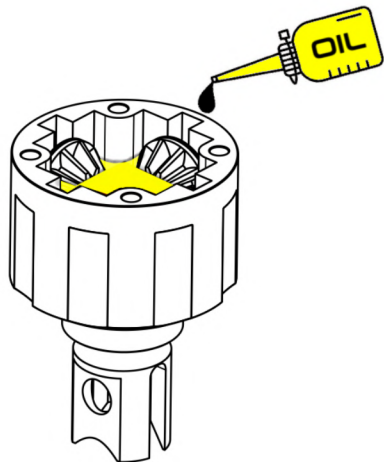
1



2

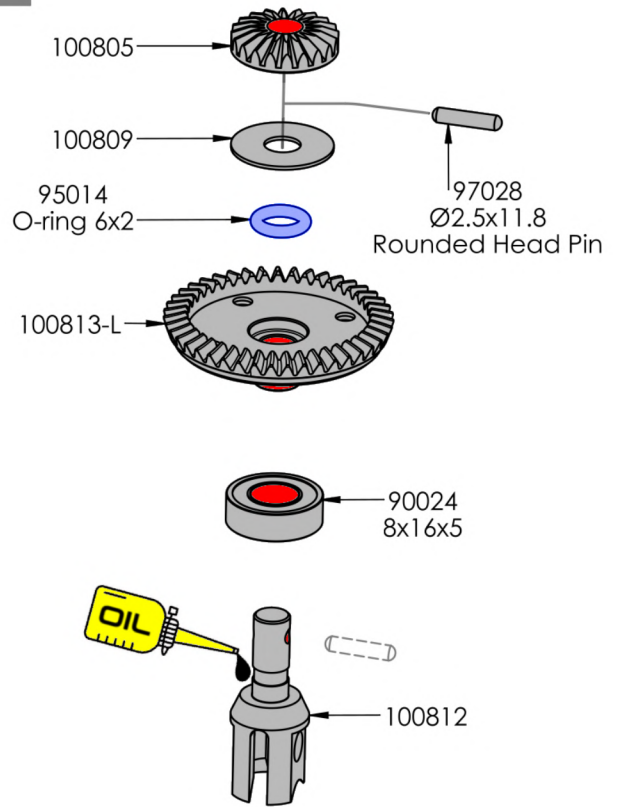
### DIFFERENTIAL OIL :

Type: 1000000 cst  
Weight: 3g

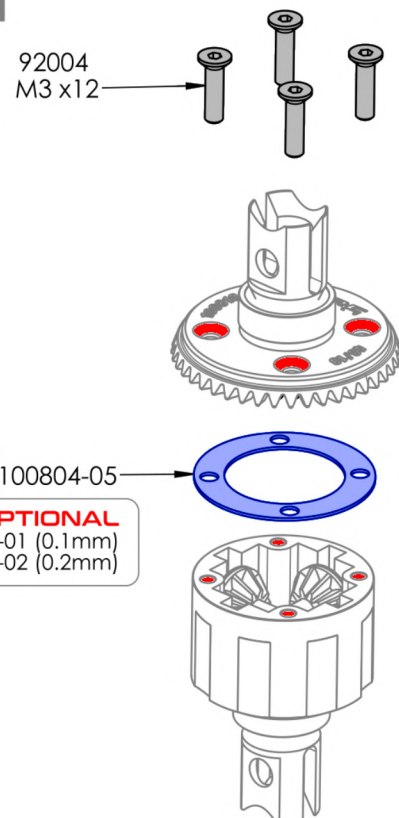


Fill the differential up to the top of the pin. **DO NOT** fill the diff. to the top of the housing.

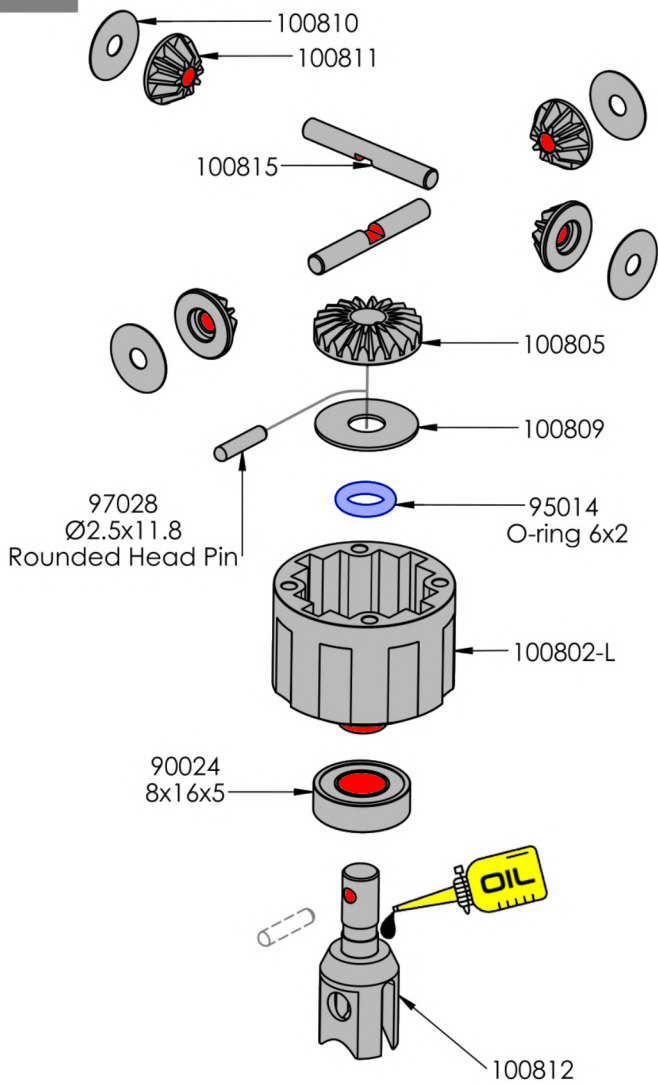
3



4



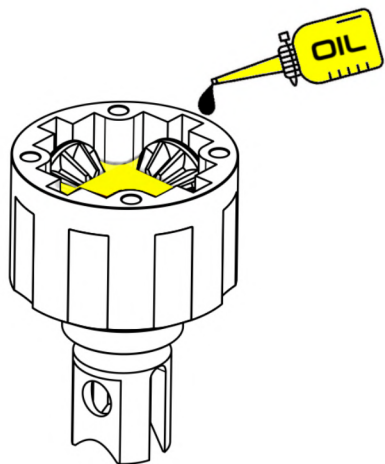
# 1



# 2

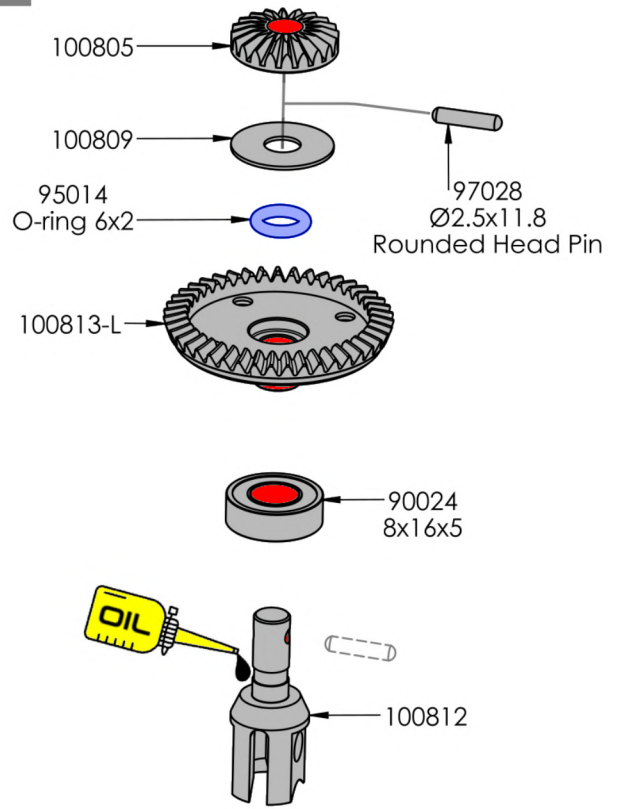
### DIFFERENTIAL OIL :

Type: 20000 cst  
Weight: 3g

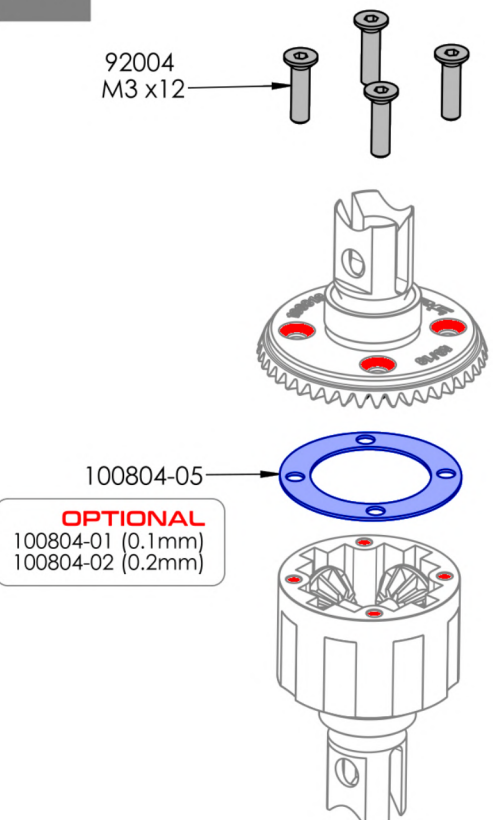


Fill the differential up to the top of the pin. **DO NOT** fill the diff. to the top of the housing.

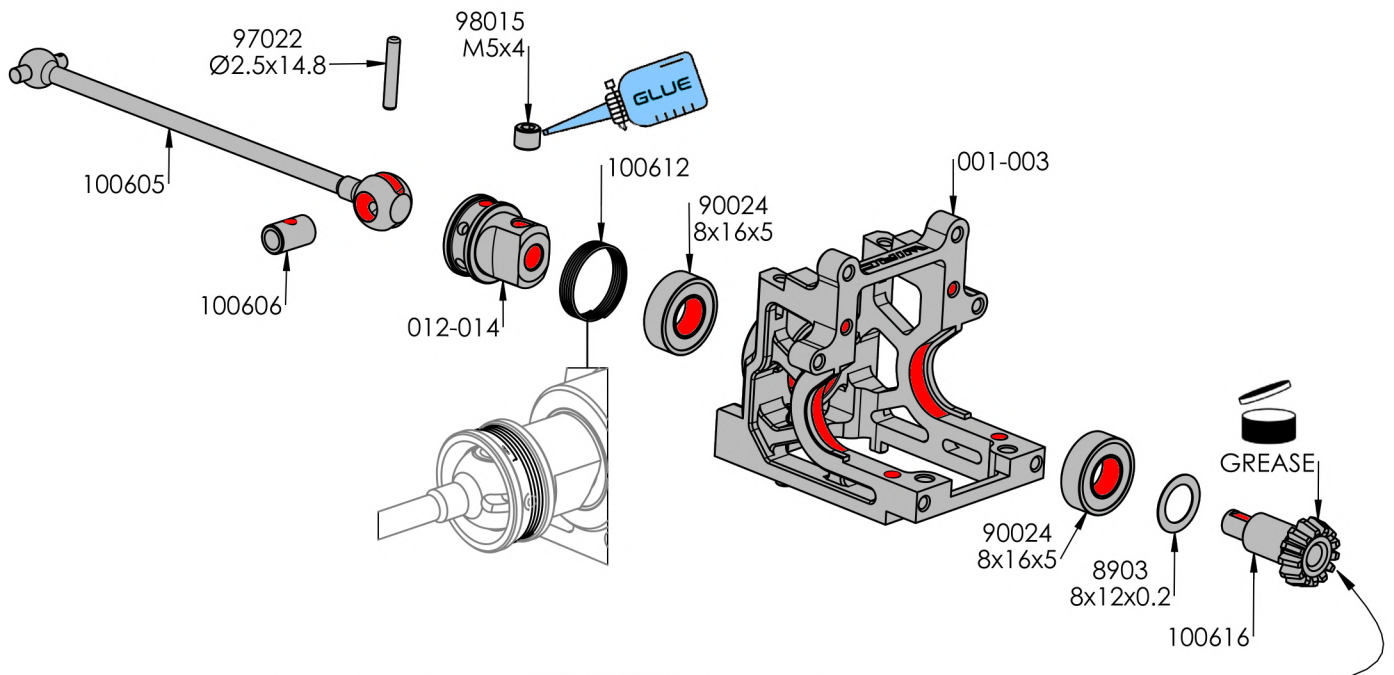
# 3



# 4

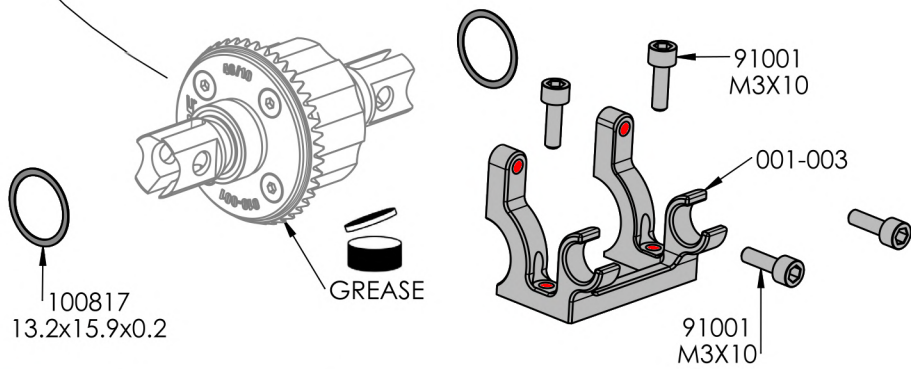


**OPTIONAL**  
100804-01 (0.1mm)  
100804-02 (0.2mm)



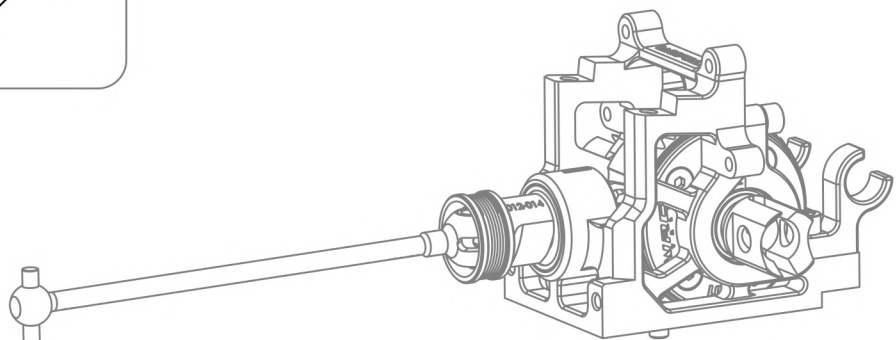
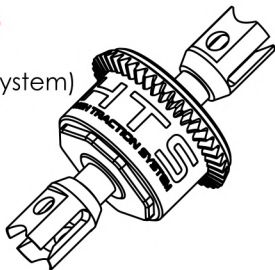
Use shims to adjust play  
between diff. and housing

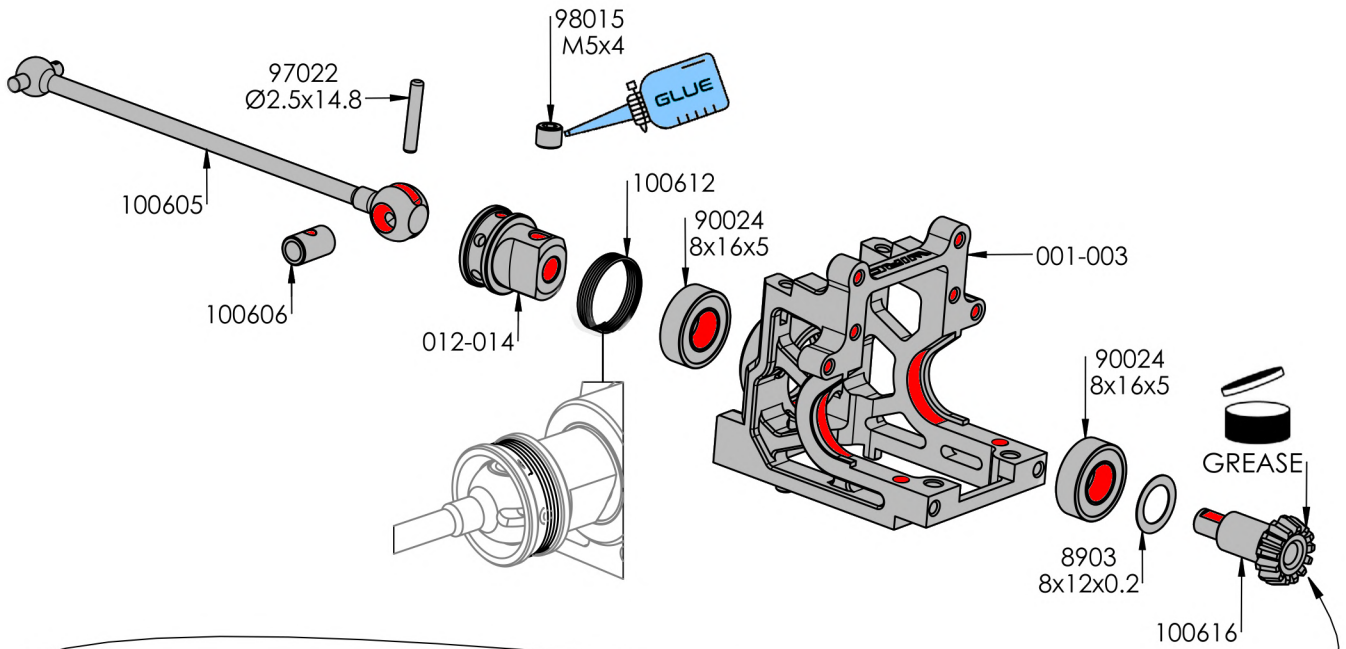
Leave 0.2mm of free play!



**OPTIONAL**

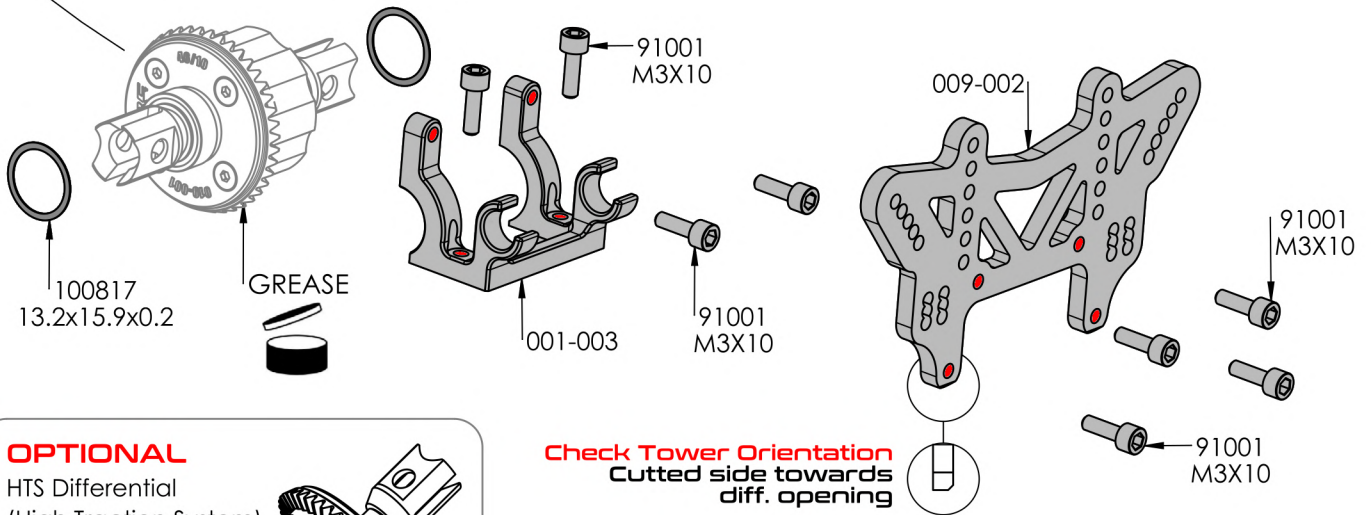
HTS Differential  
(High Traction System)  
018-000





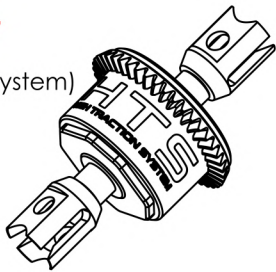
Use shims to adjust play  
between diff. and housing

Leave 0.2mm of free play!

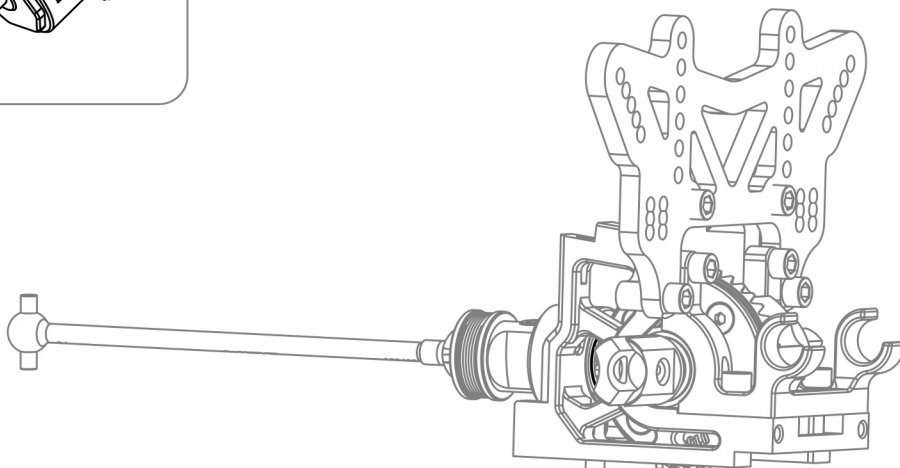


**OPTIONAL**

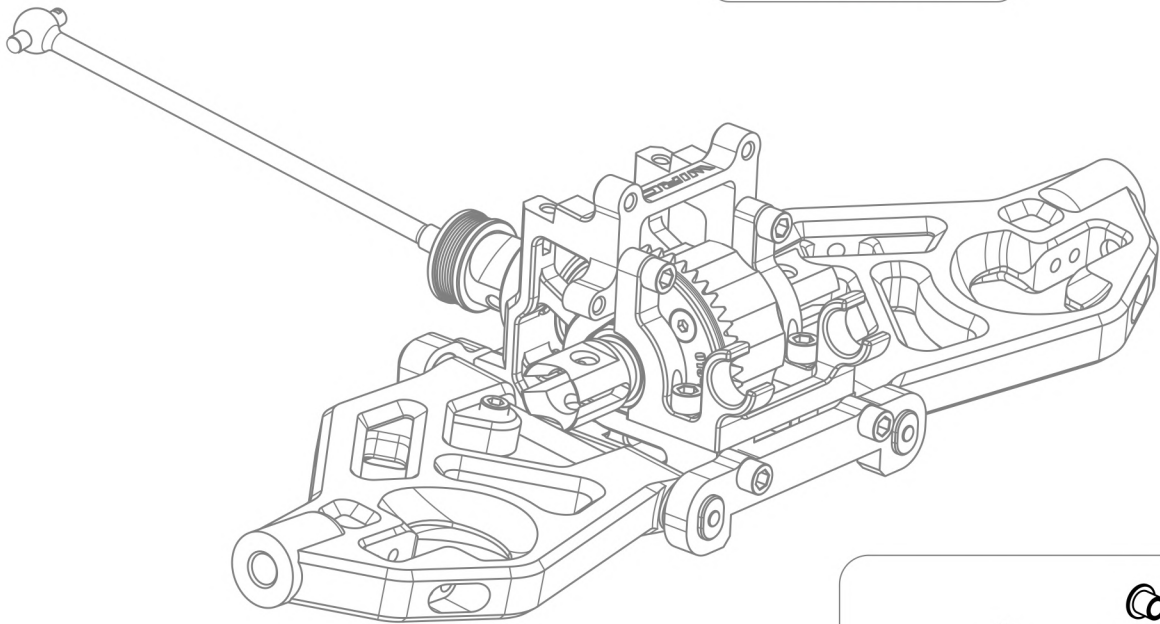
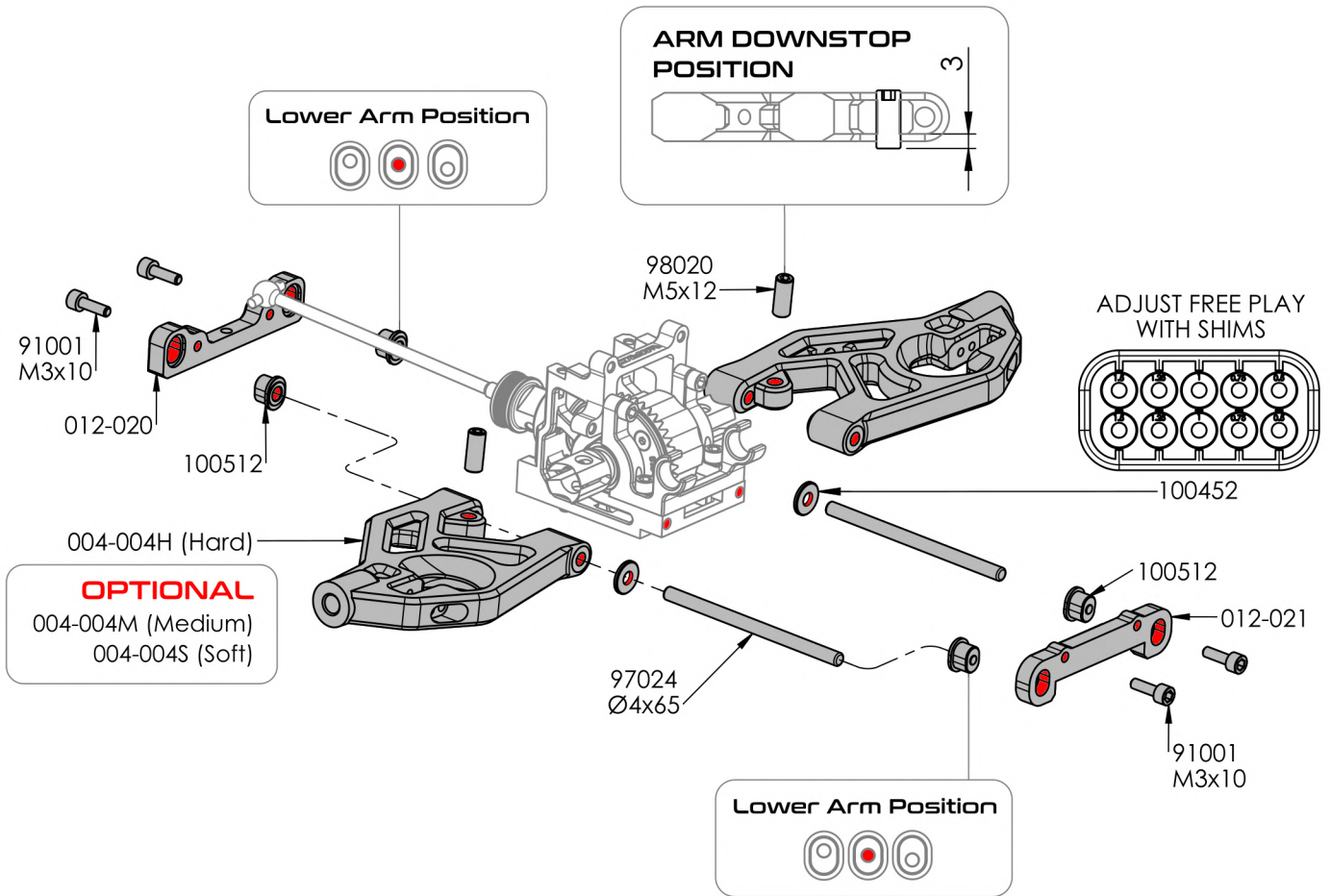
HTS Differential  
(High Traction System)  
018-000



**Check Tower Orientation**  
Cutted side towards  
diff. opening

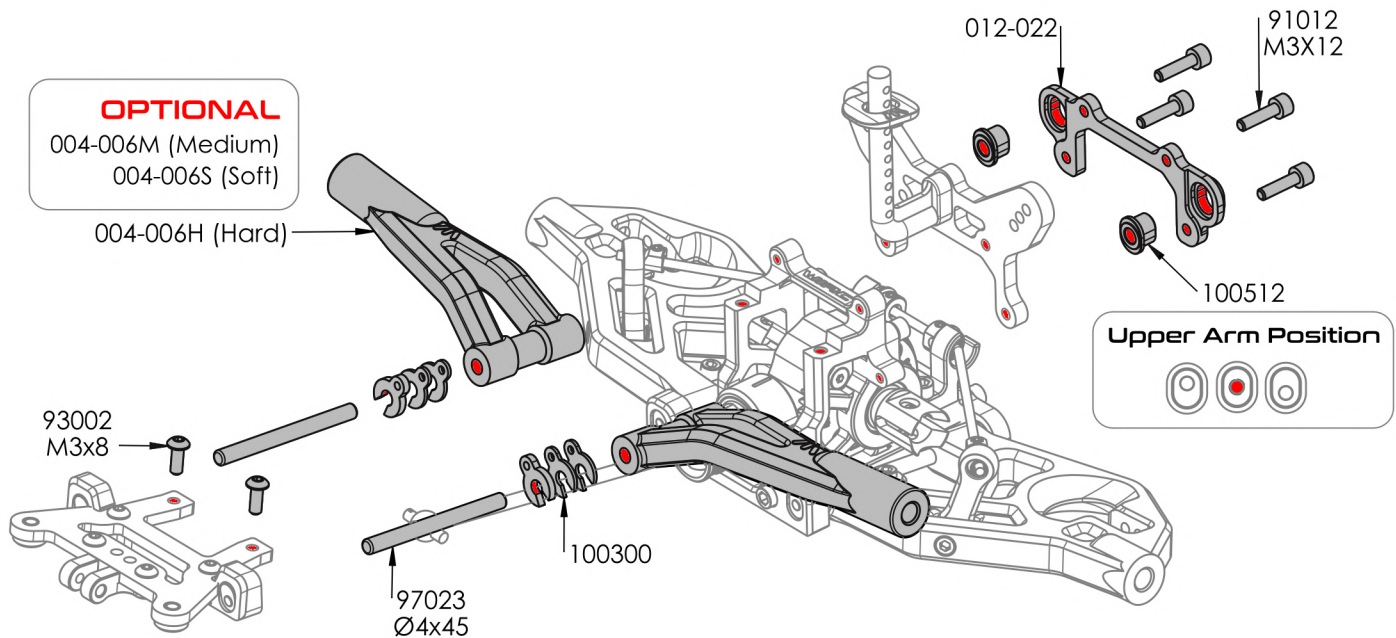
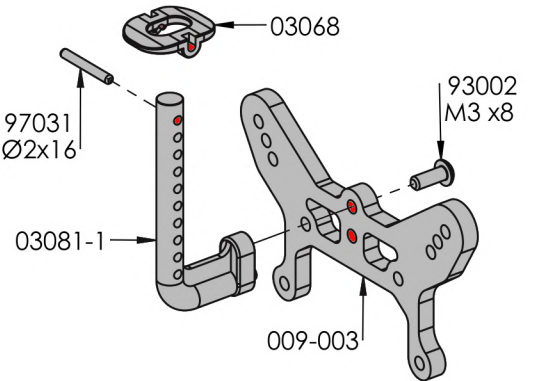
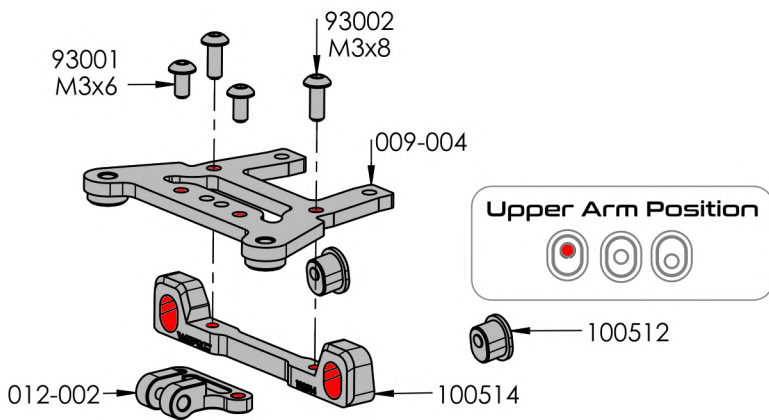
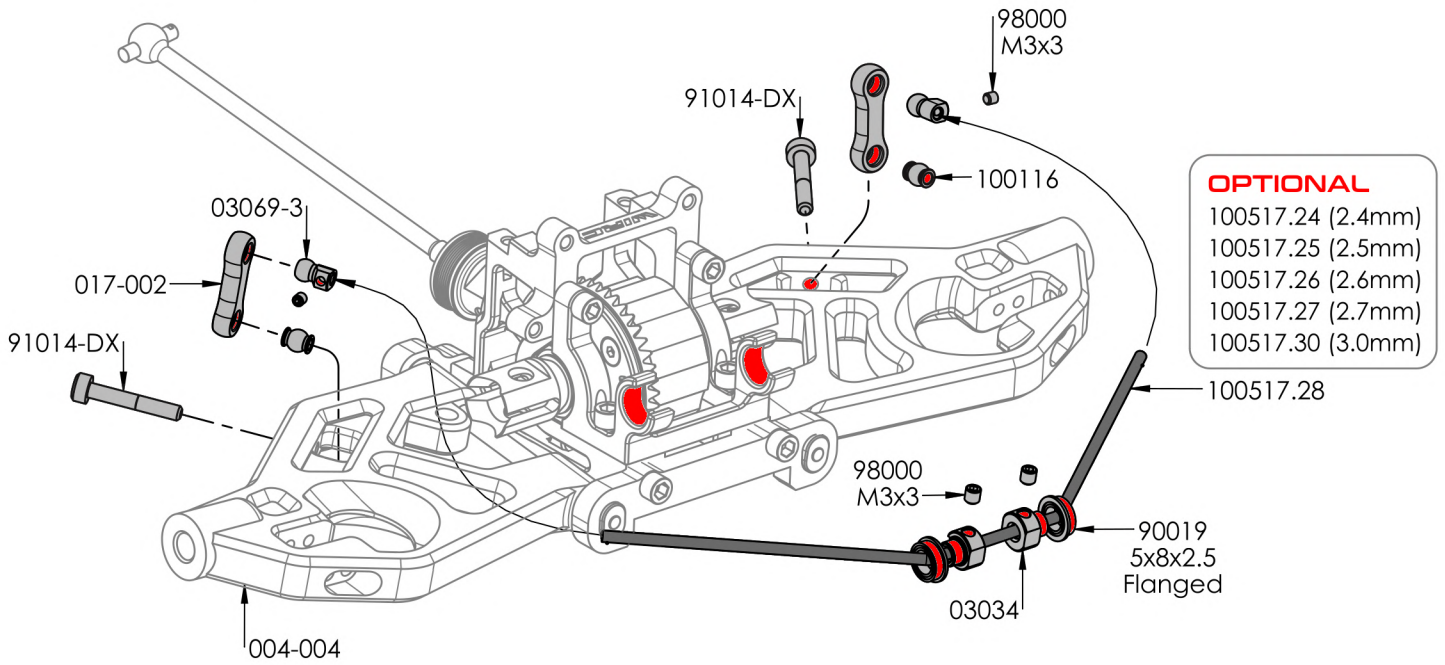


## Front Suspension

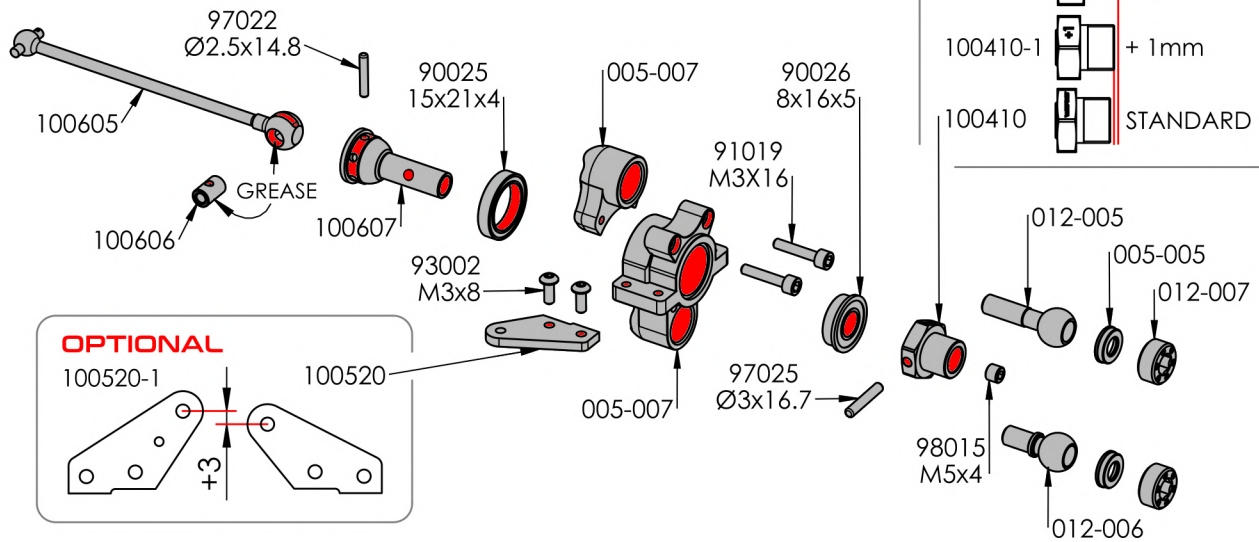




## Front Suspension

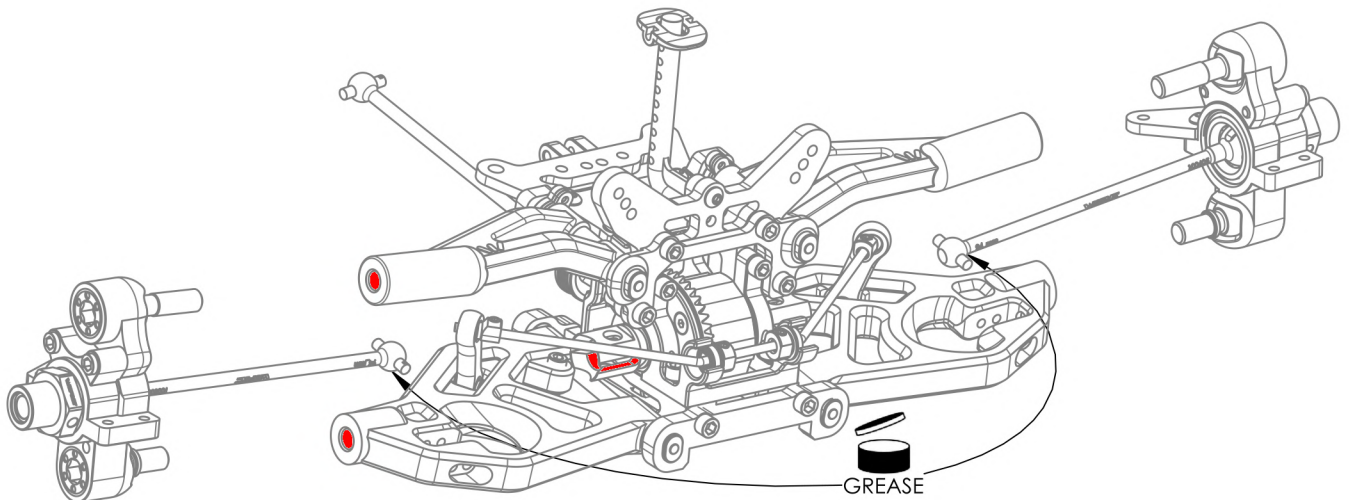
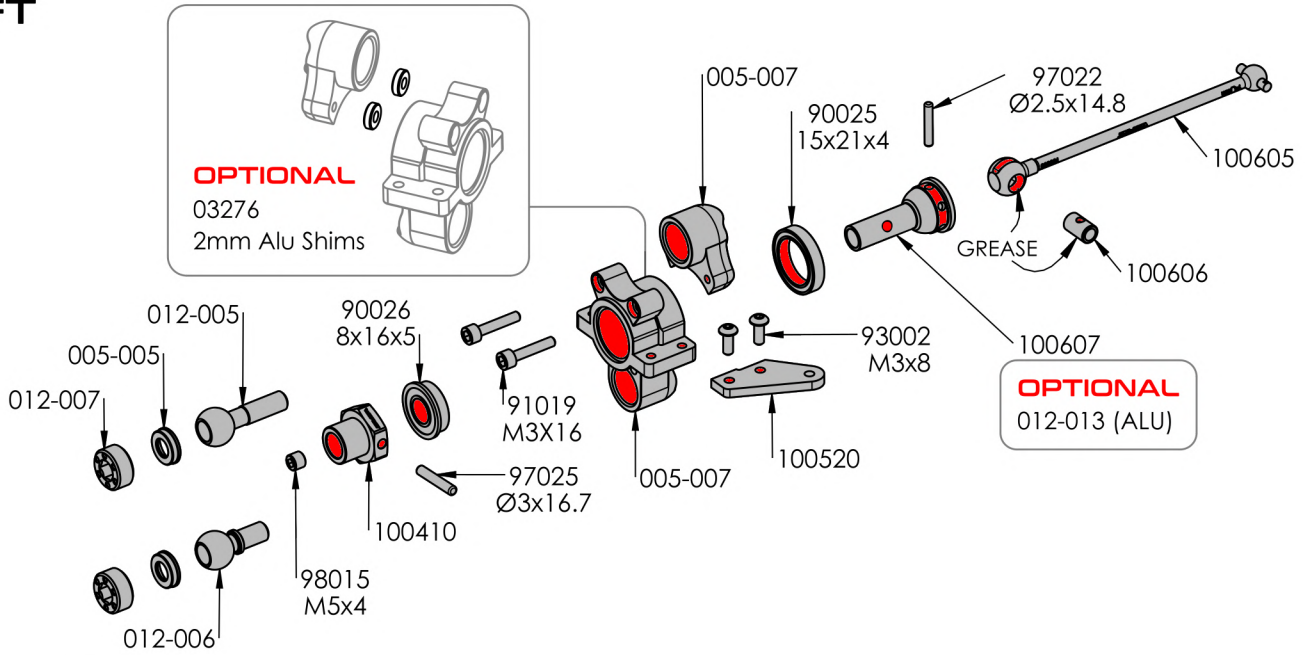


## Front Upright

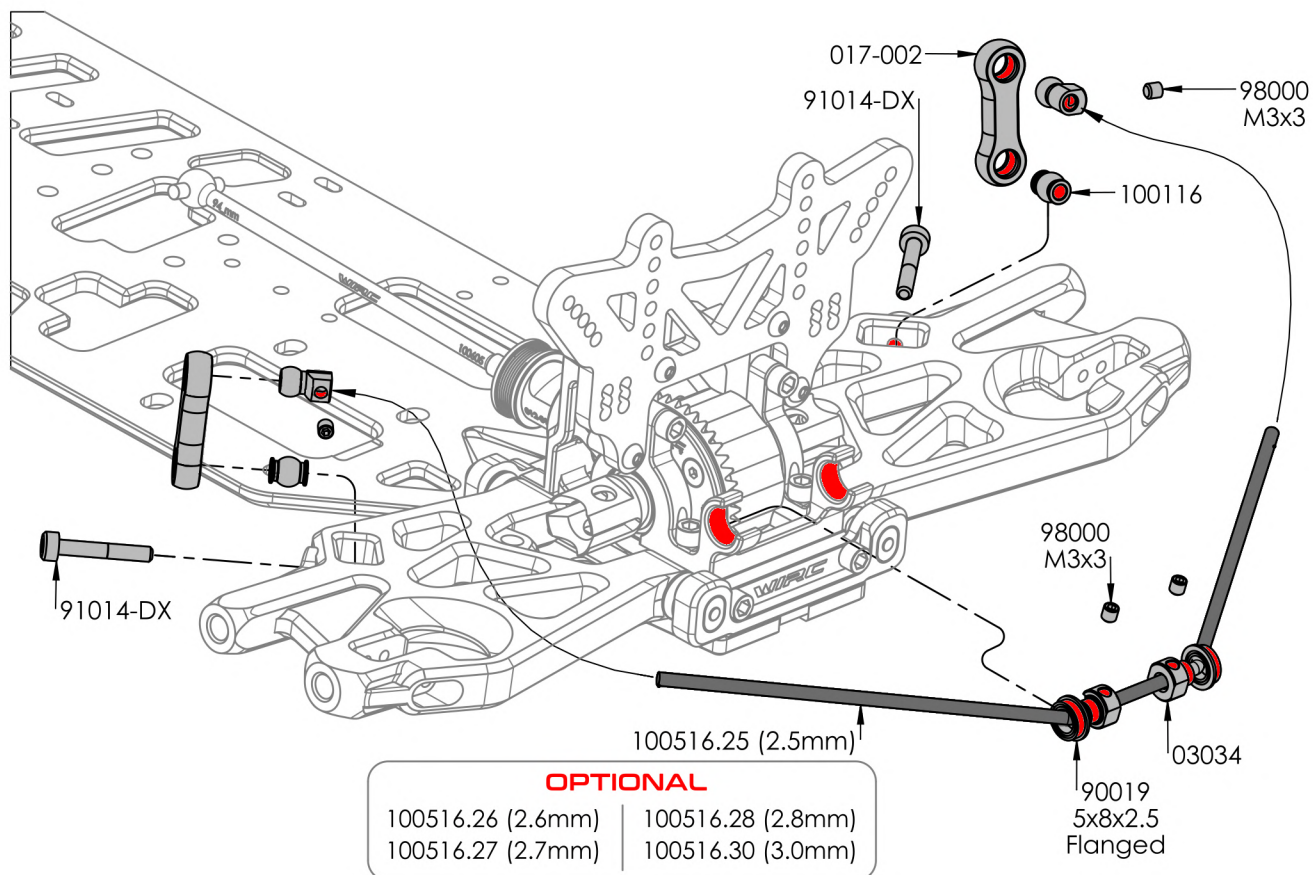
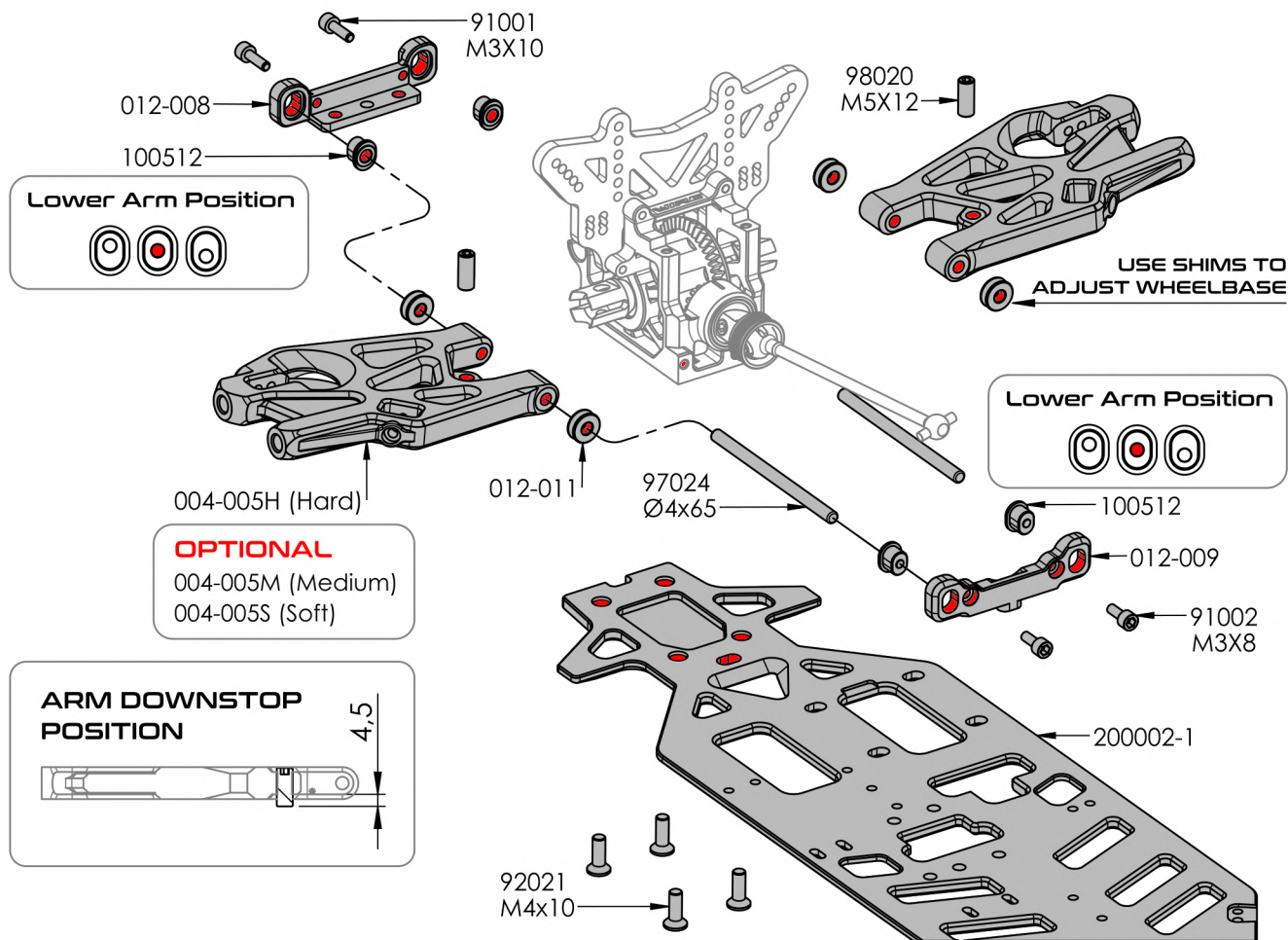


## RIGHT

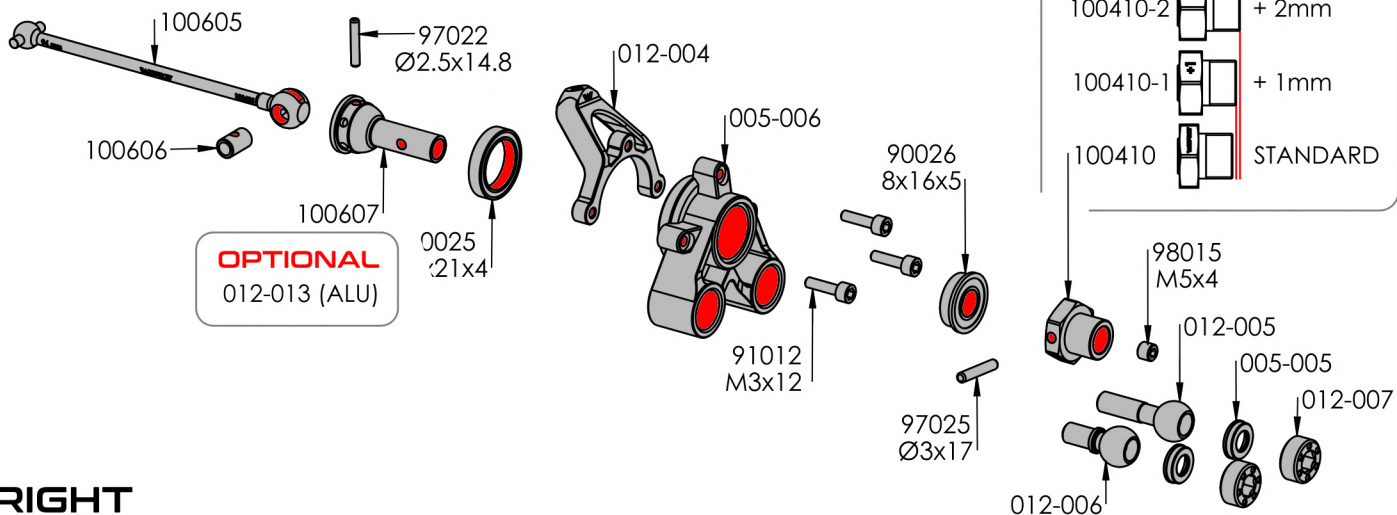
## LEFT



## Rear Suspension



## Rear Suspension

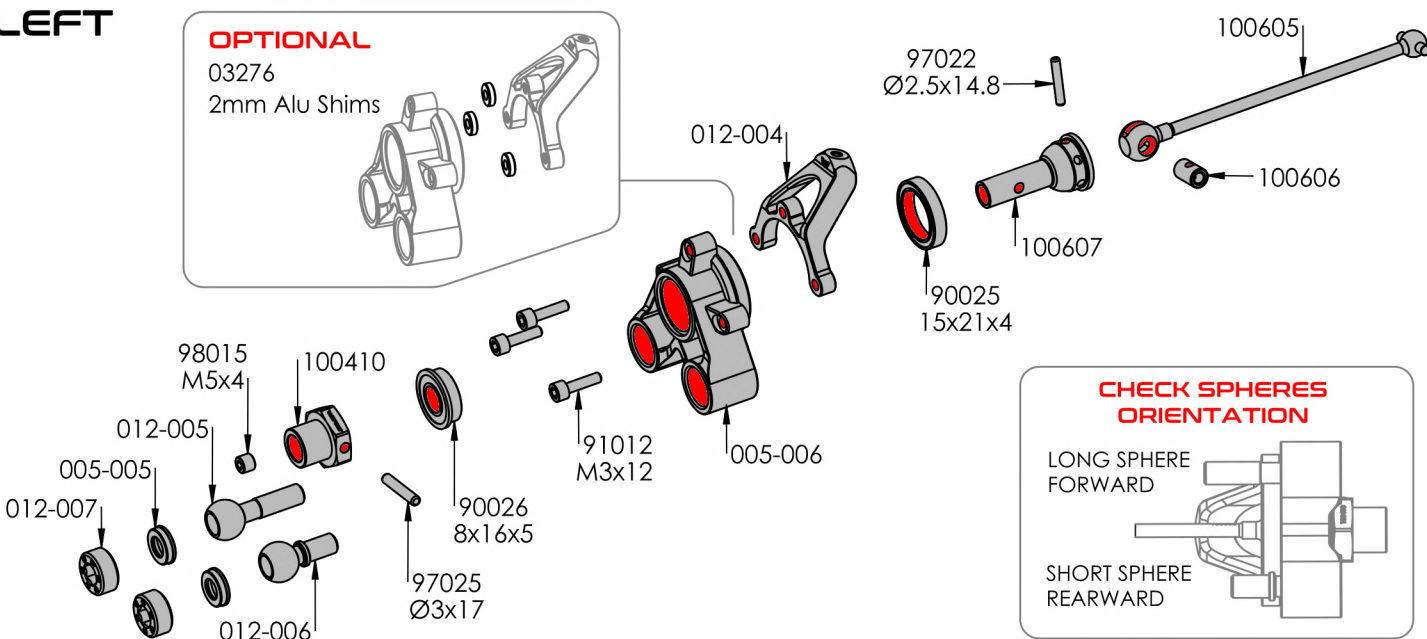


**OPTIONAL**

100410-2		+ 2mm
100410-1		+ 1mm
100410		STANDARD

## RIGHT

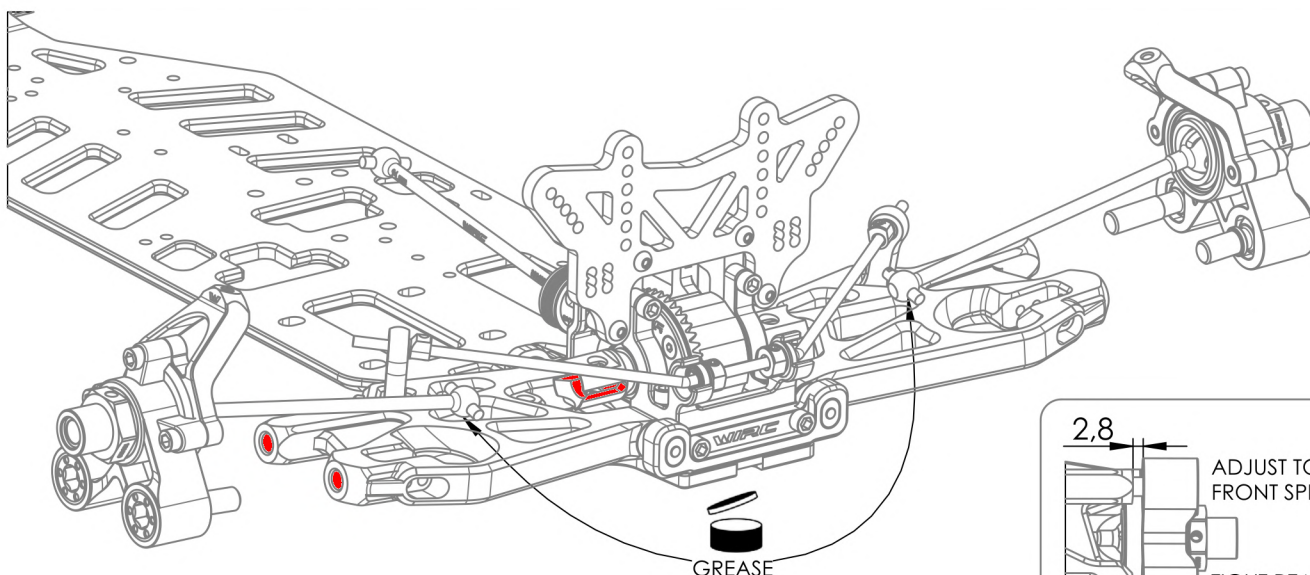
## LEFT



**CHECK SPHERES ORIENTATION**

LONG SPHERE FORWARD

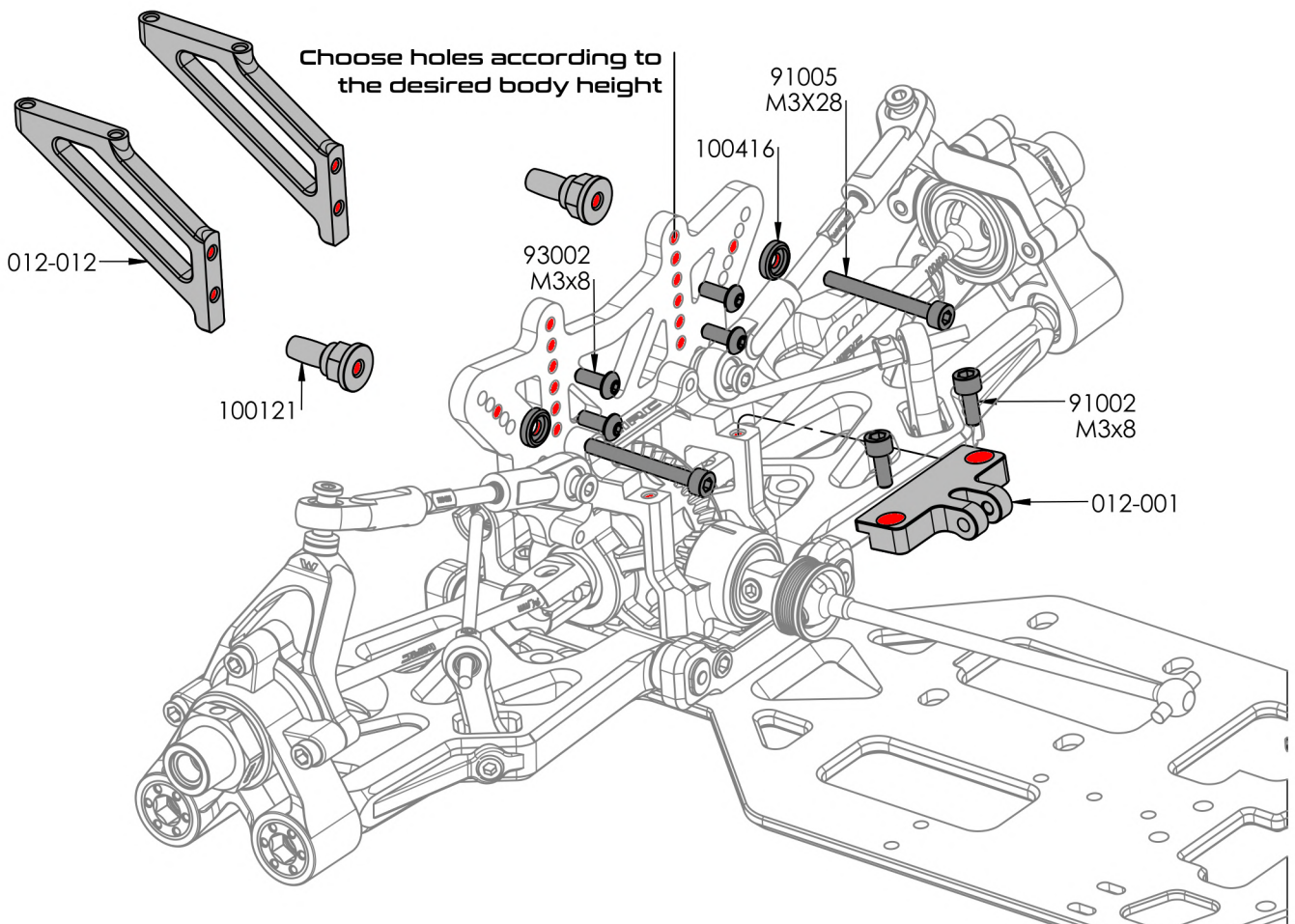
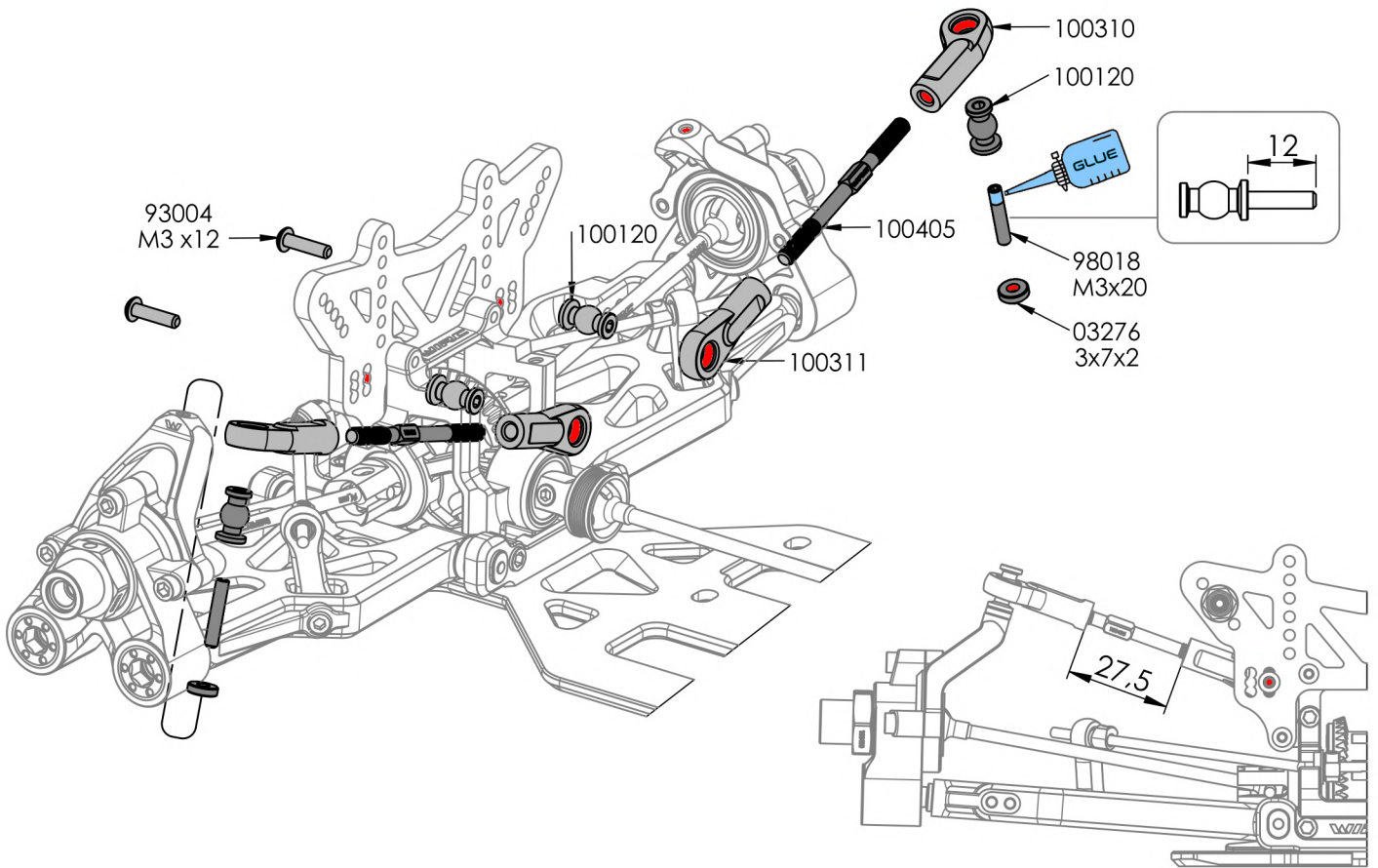
SHORT SPHERE REARWARD

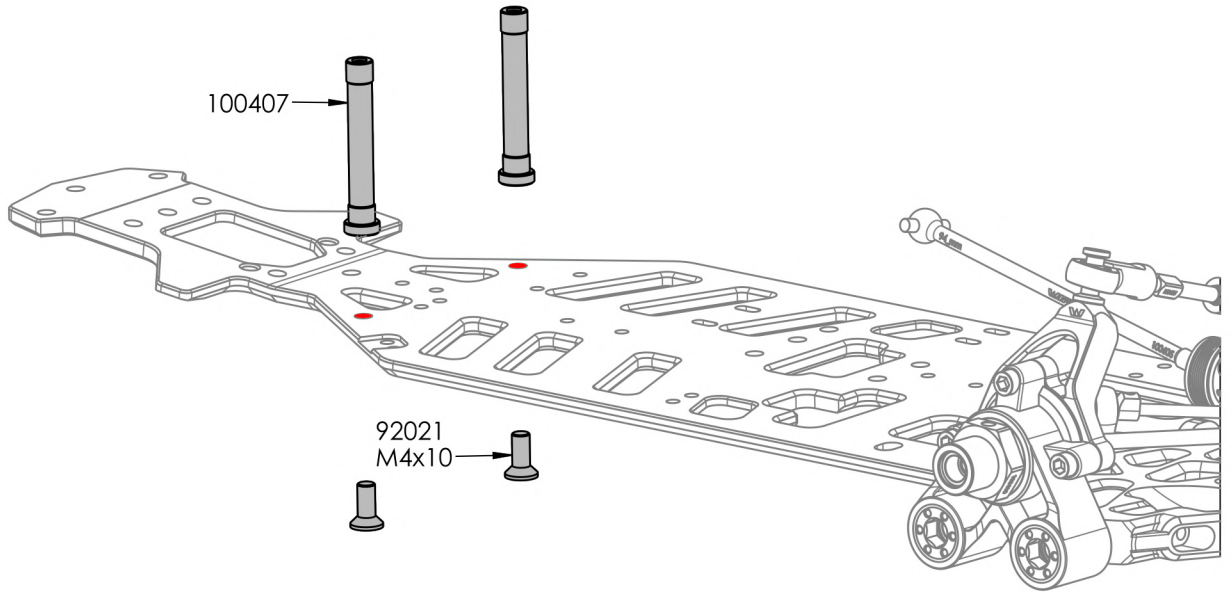


2.8

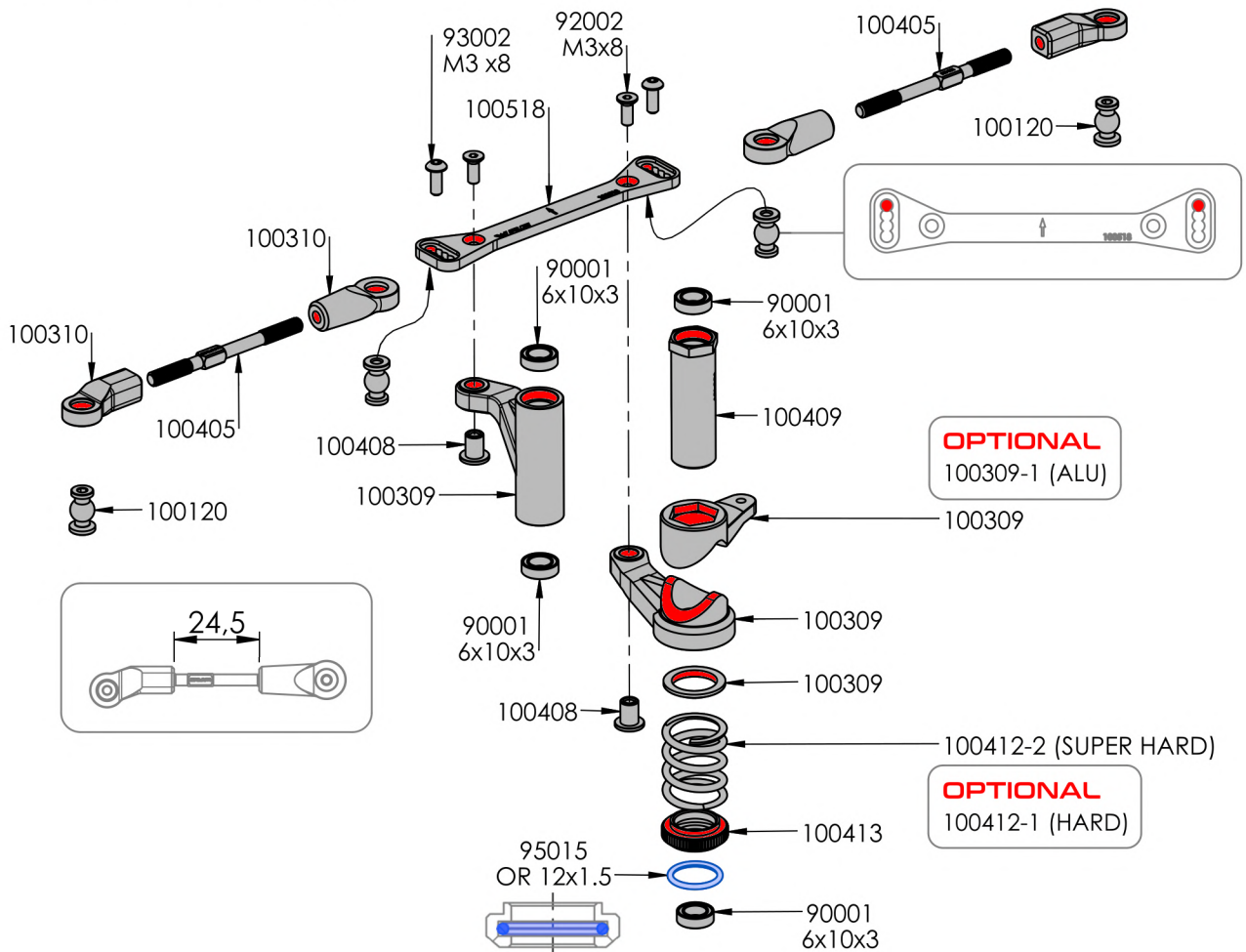
ADJUST TOE WITH FRONT SPHERE

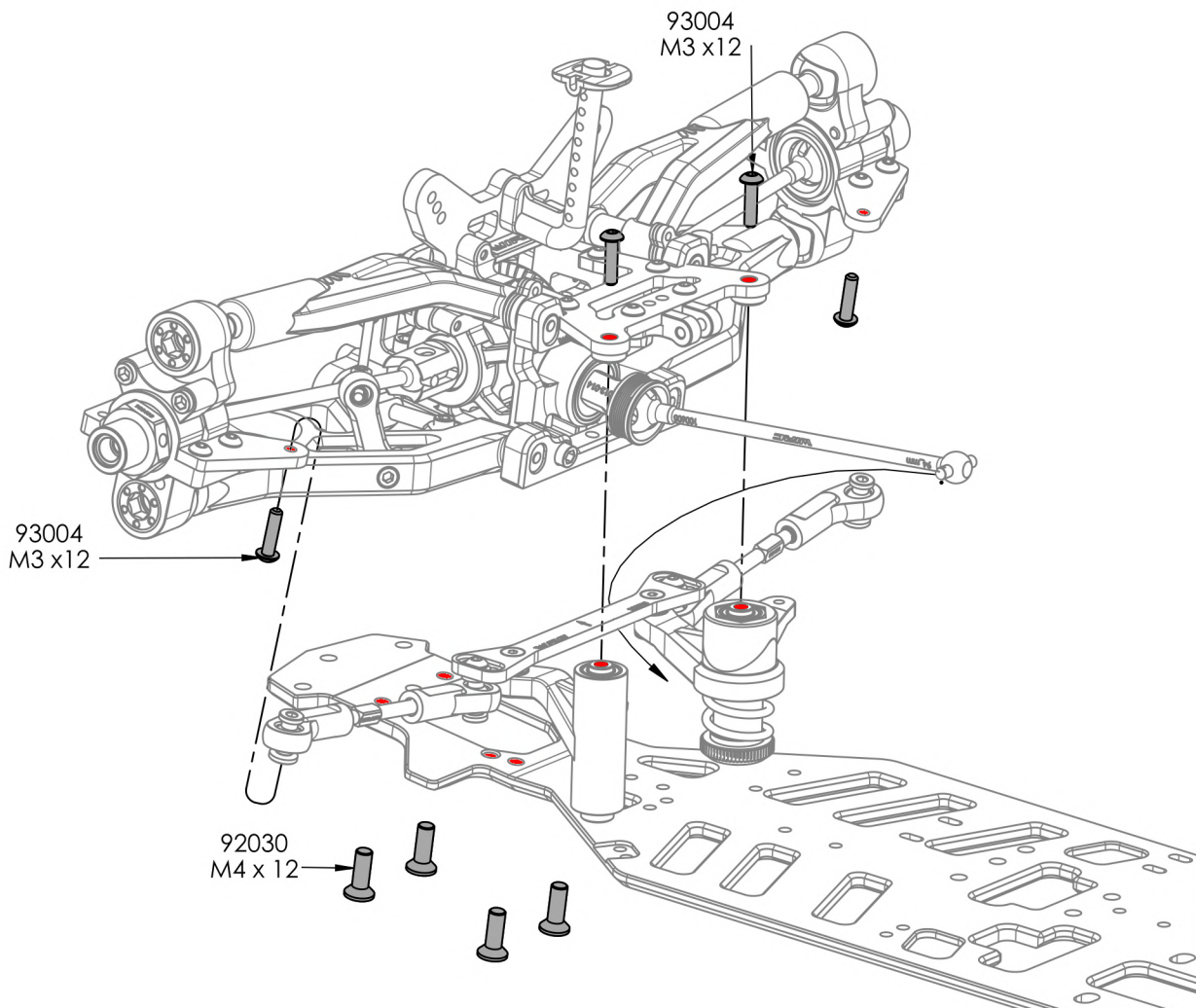
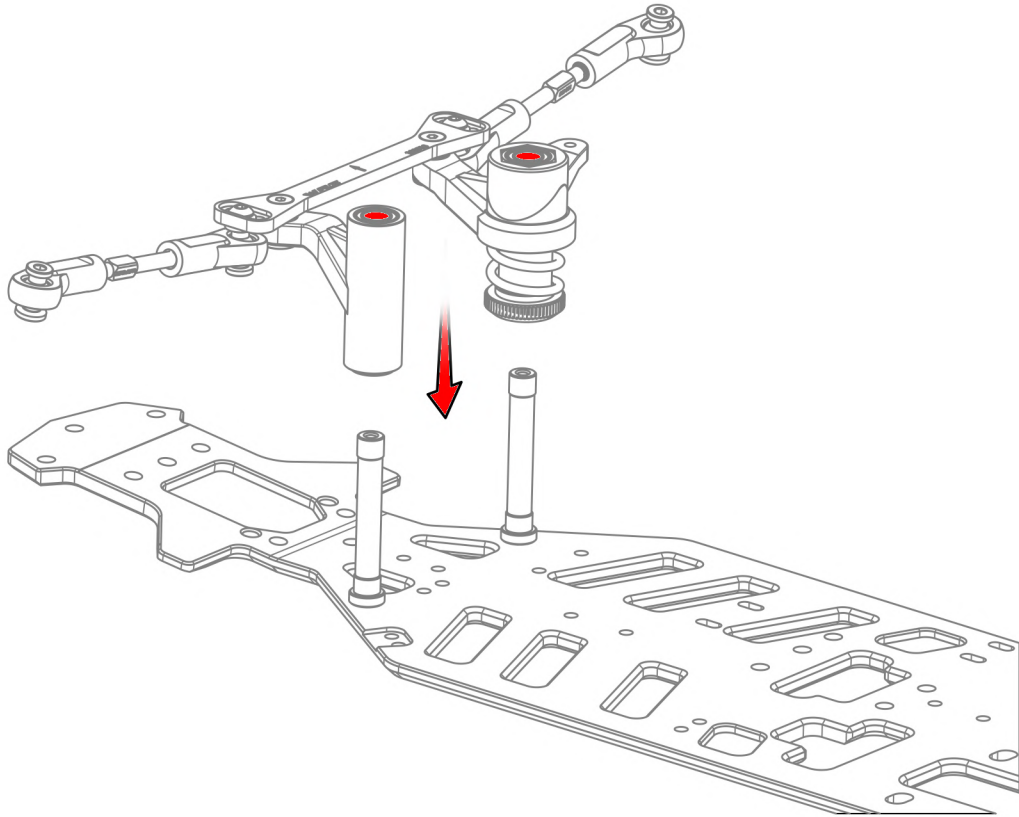
TIGHT REAR SPHERE FULLY

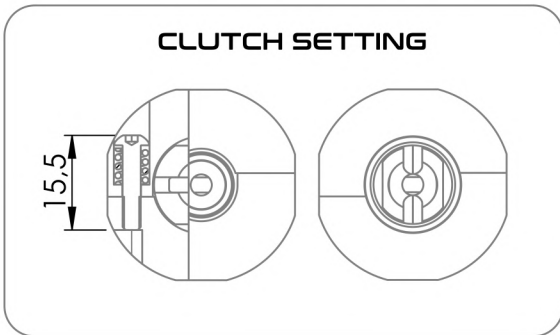
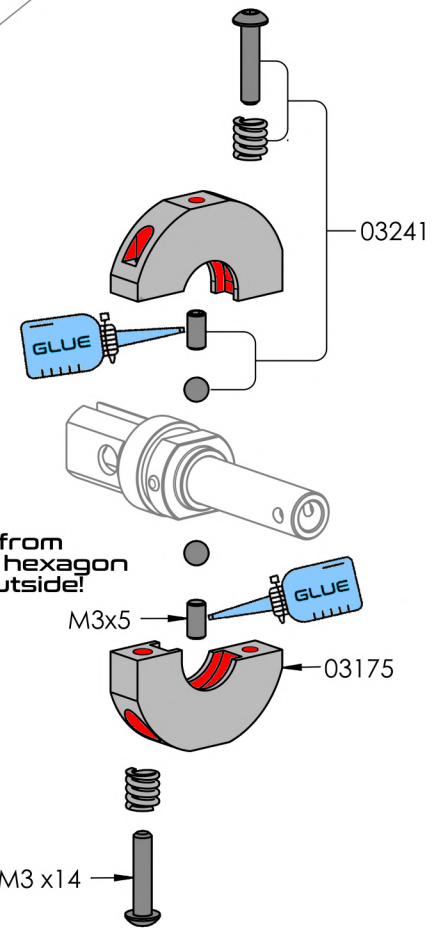
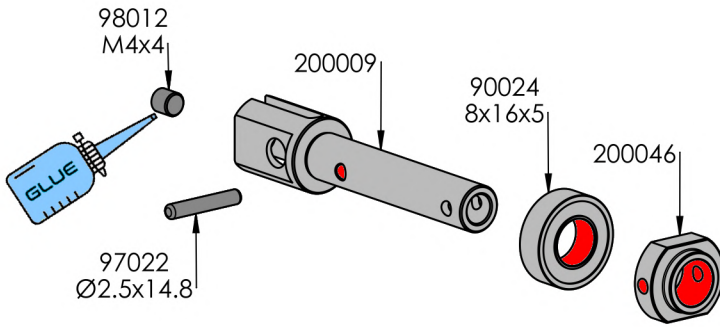




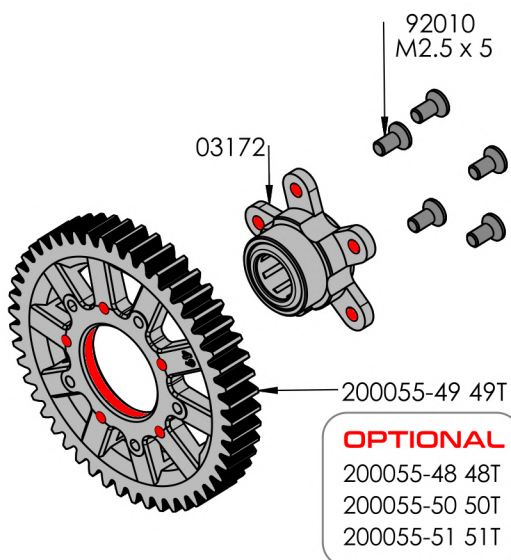
## Steering Assembly



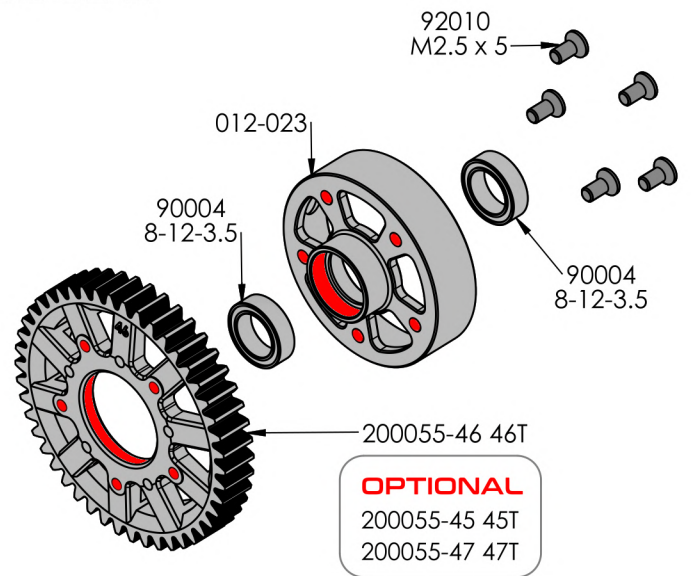




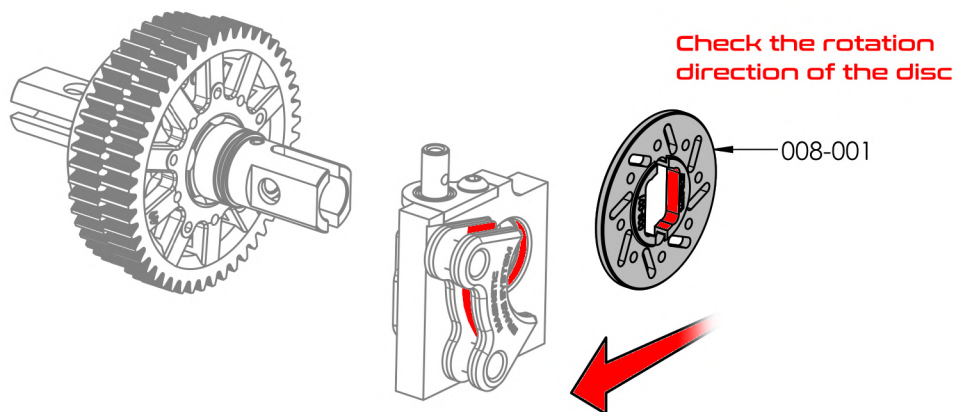
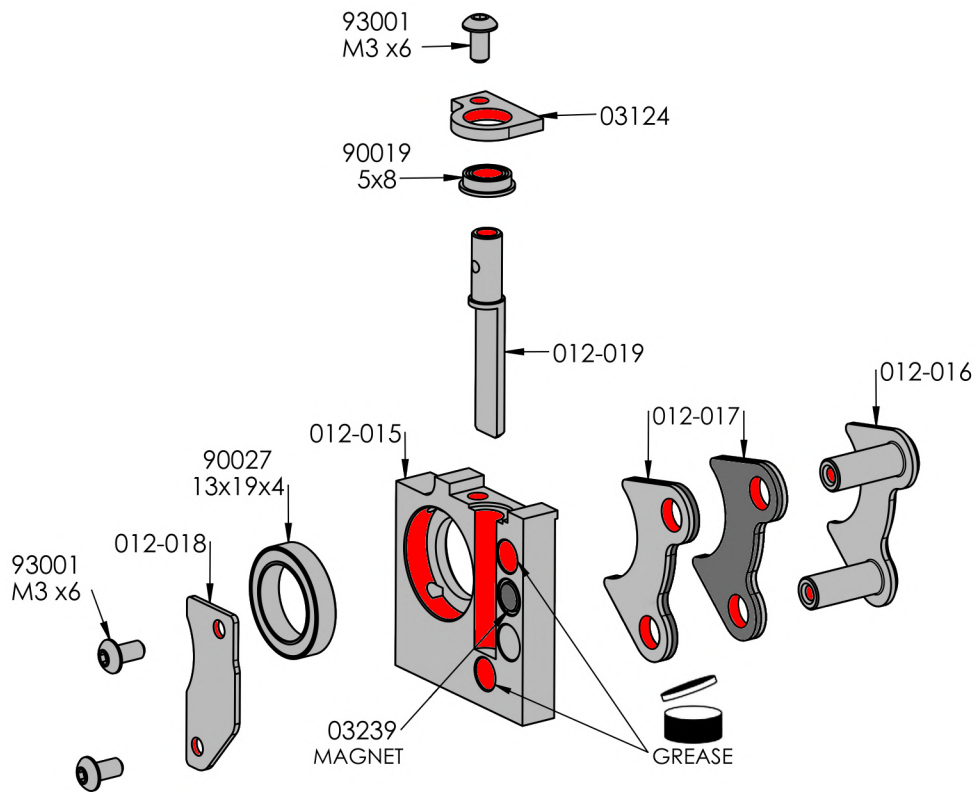
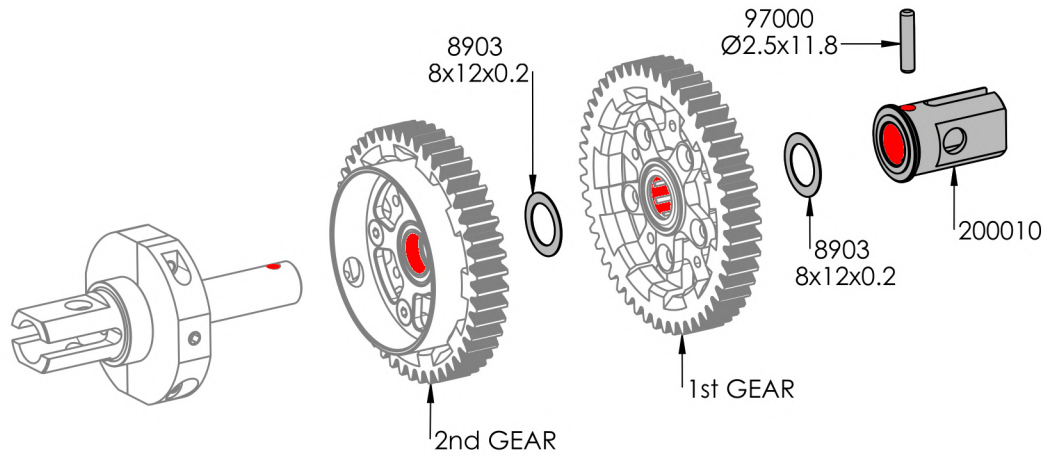
### 1ST GEAR

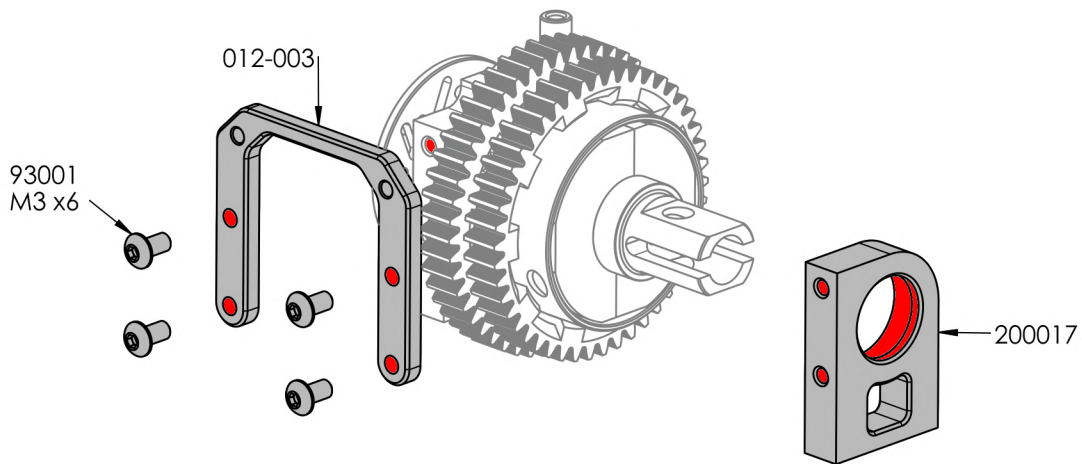


### 2ND GEAR



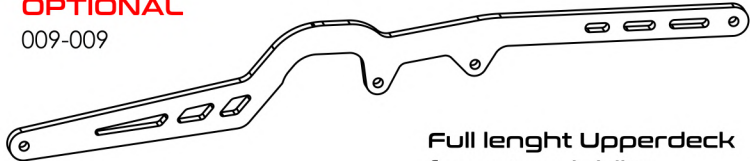




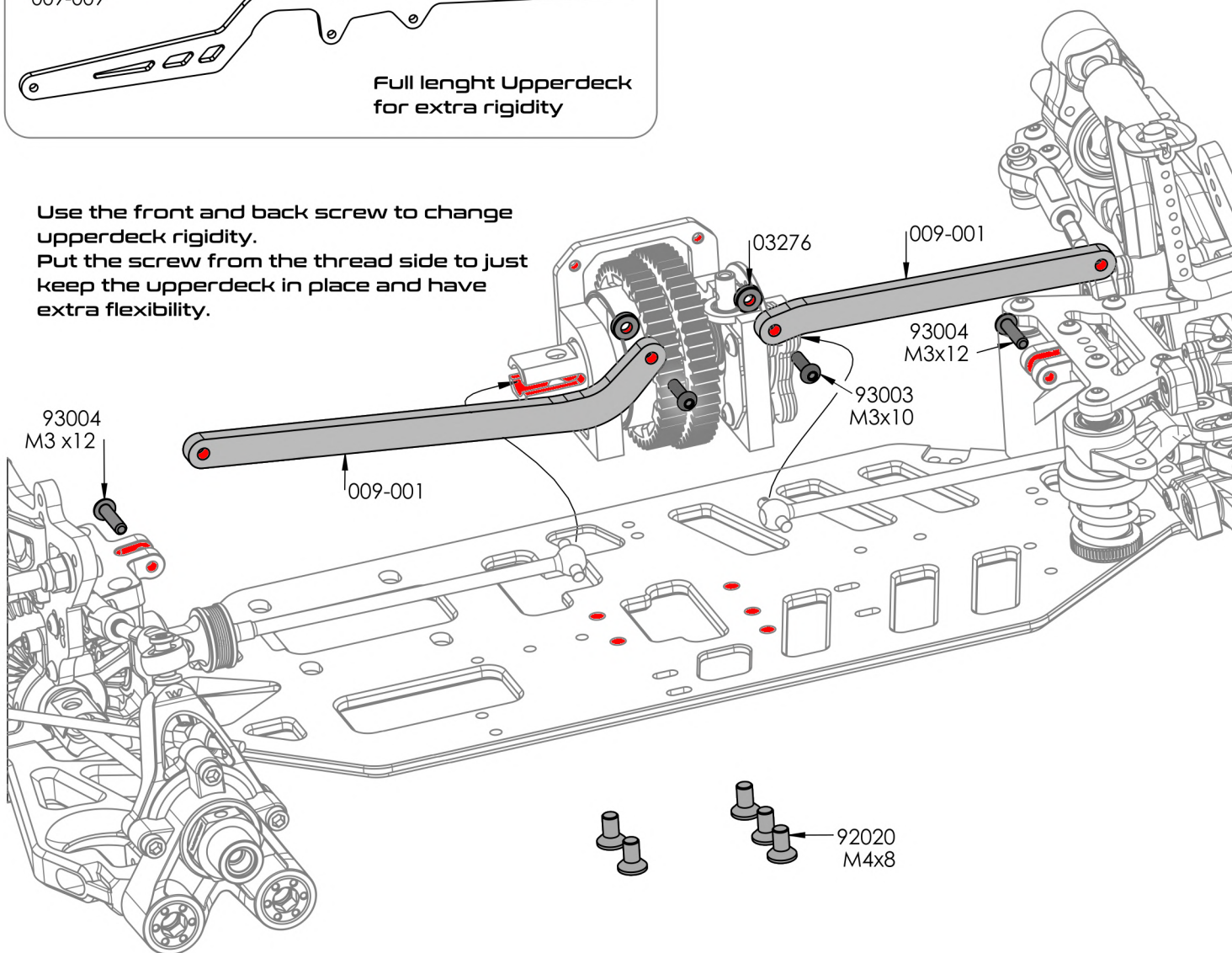


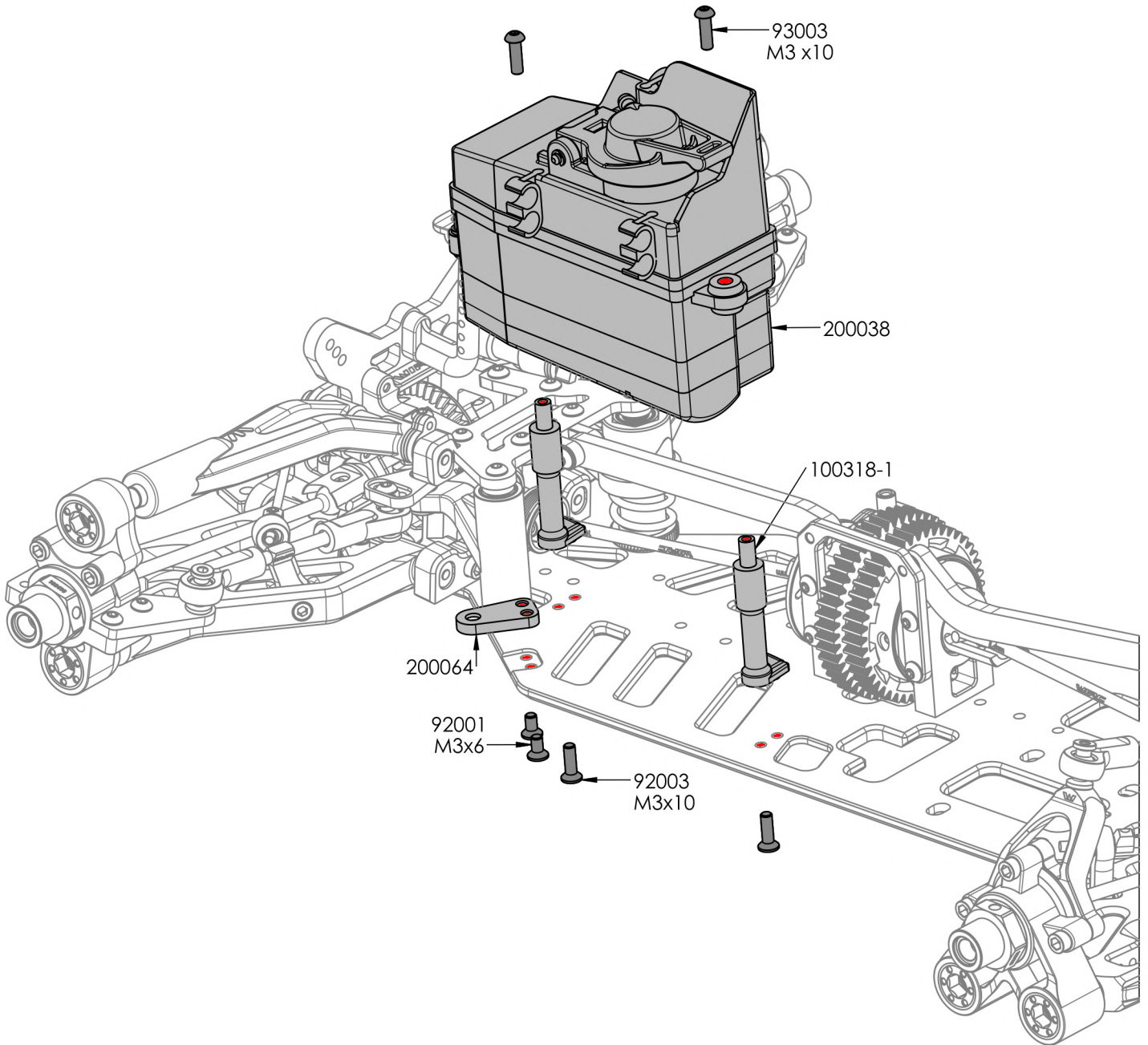
### OPTIONAL

009-009



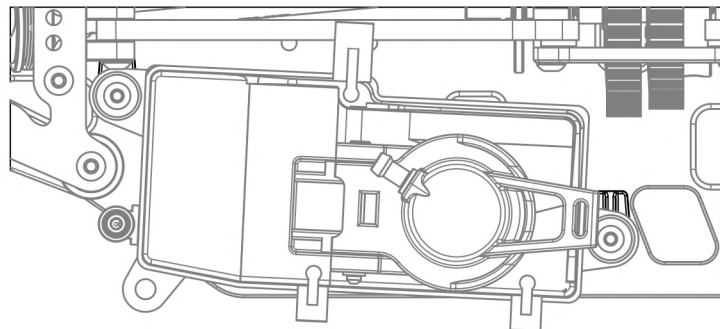
Use the front and back screw to change upperdeck rigidity. Put the screw from the thread side to just keep the upperdeck in place and have extra flexibility.






### TOP VIEW

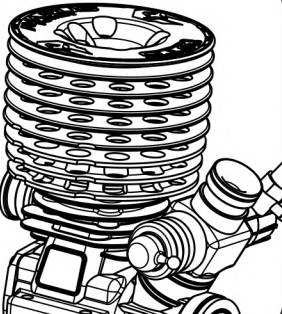
Check orientation of fuel tank supports



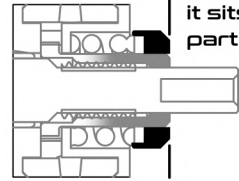
**ENGINE NOT INCLUDED**



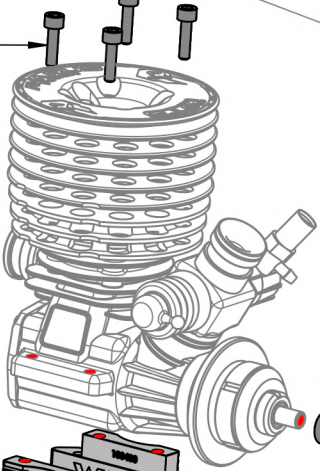
**AVARUS ENGINES**  
**AVARUS GT21**  
**ENGINE AVAILABLE SEPARATELY**



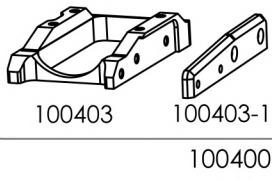
Screw the nut until it sits flat with part 03214-8




91001 M3x10




100403 100403-1  
 100400




00174-1



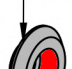
03214-8




00174-3




00174-4



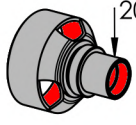
03390




03214-9




90000-1 5x10x4 ZZ



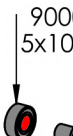
200004



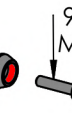
200056-14 14T



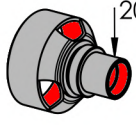
90000-1 5x10x4 ZZ




91000 M3x14




200056-18 18T



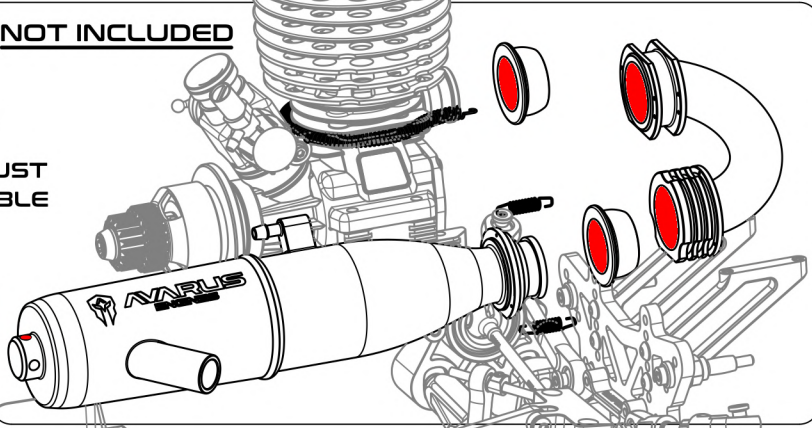
03214-10



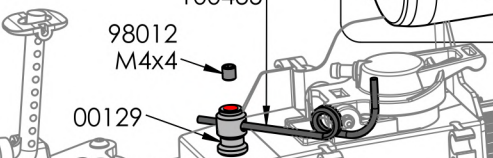
**EXHAUST KIT NOT INCLUDED**



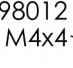
**AVARUS ENGINES**  
**AVARUS EXHAUST PARTS AVAILABLE SEPARATELY.**




100435



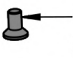
98012 M4x4



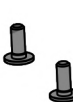
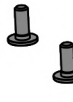
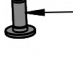
00129



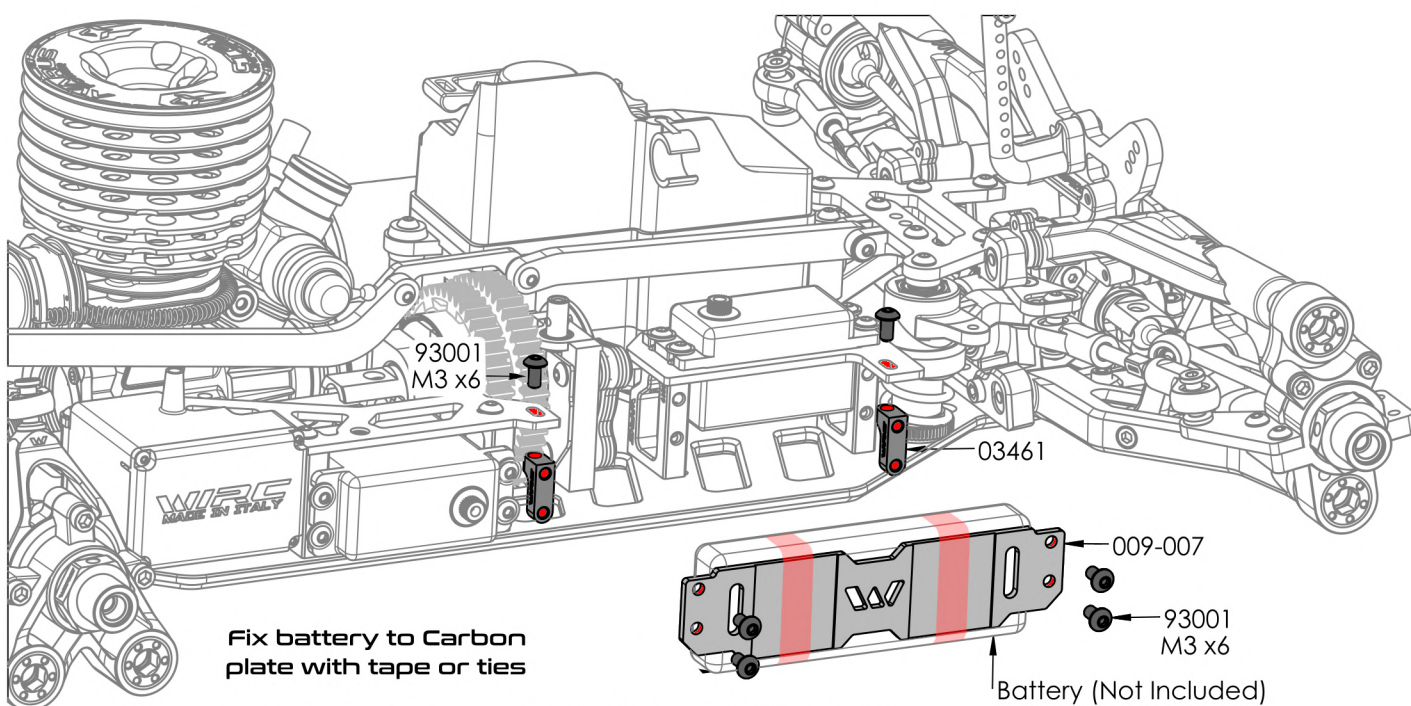
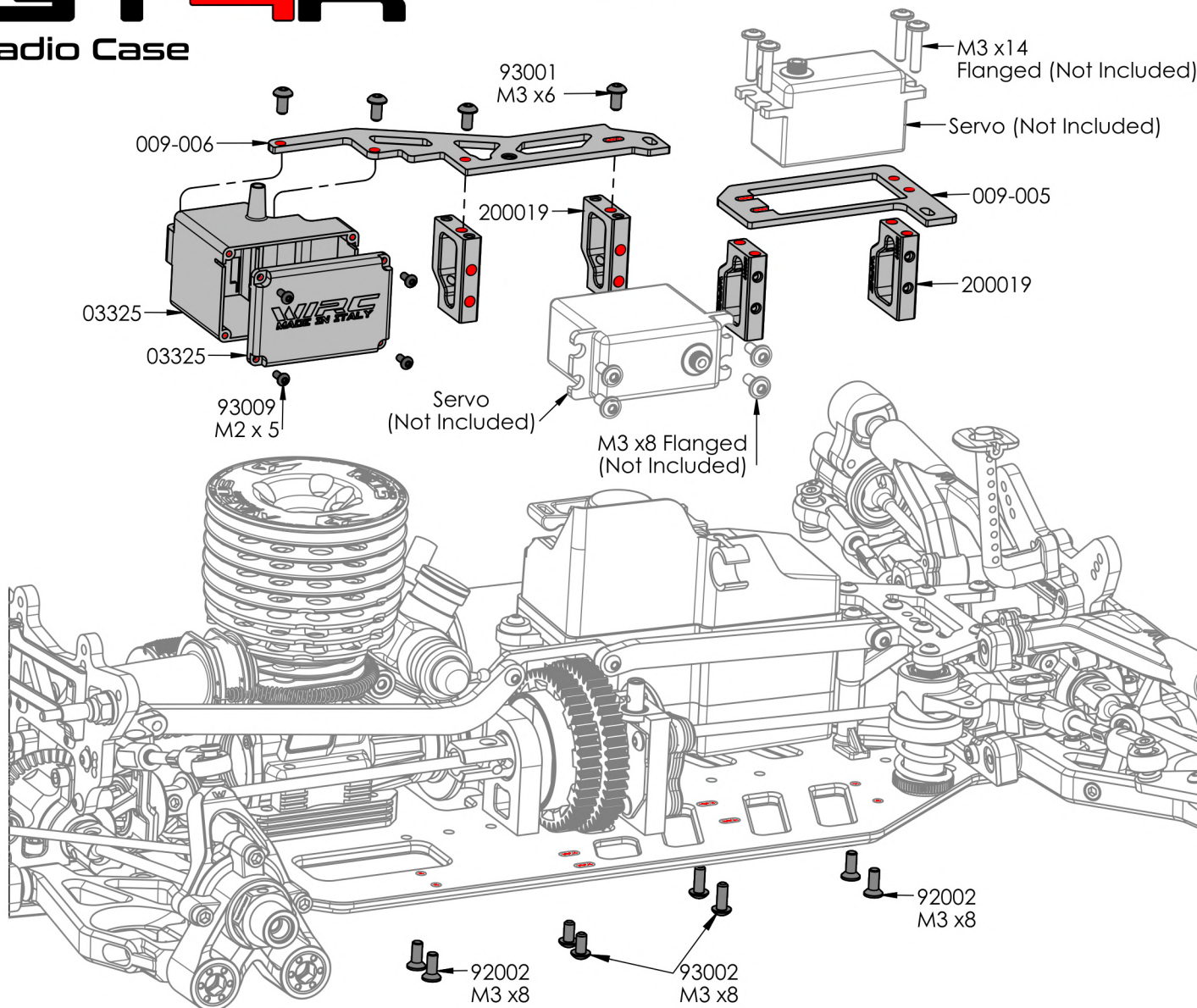
92020 M4 x 8



96001 M4 x 10

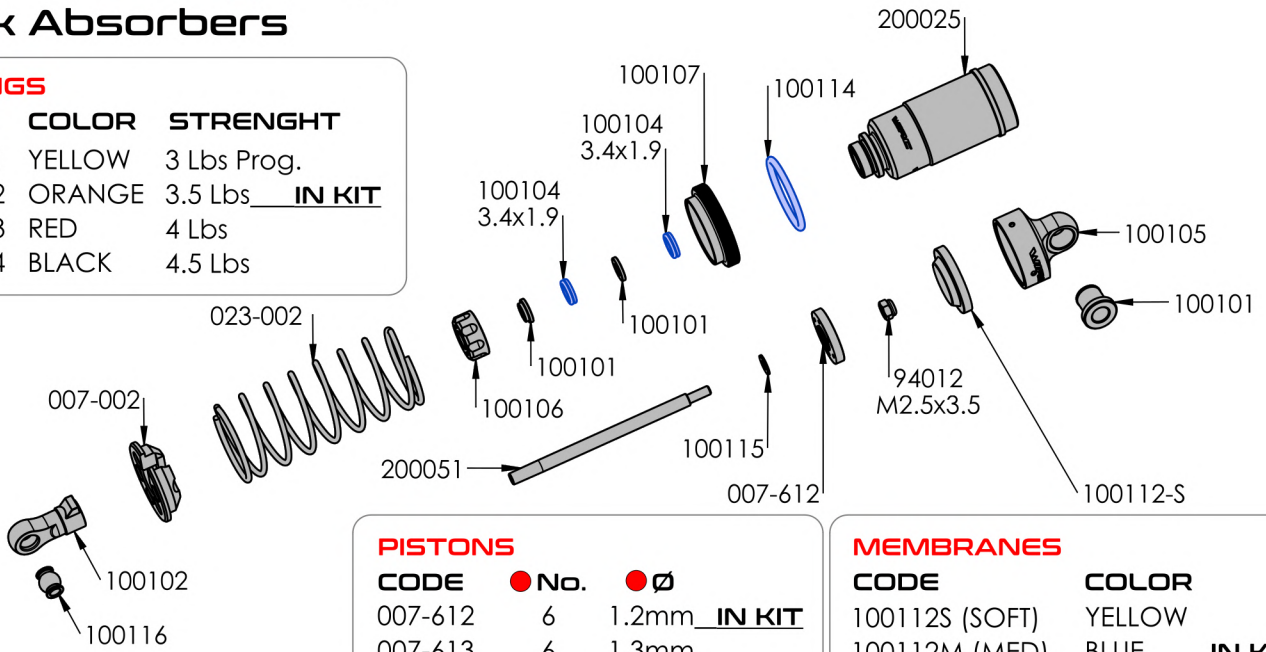




## Radio Case



#### SPRINGS

CODE	COLOR	STRENGTH
023-001	YELLOW	3 Lbs Prog.
023-002	ORANGE	3.5 Lbs <u>IN KIT</u>
023-003	RED	4 Lbs
023-004	BLACK	4.5 Lbs



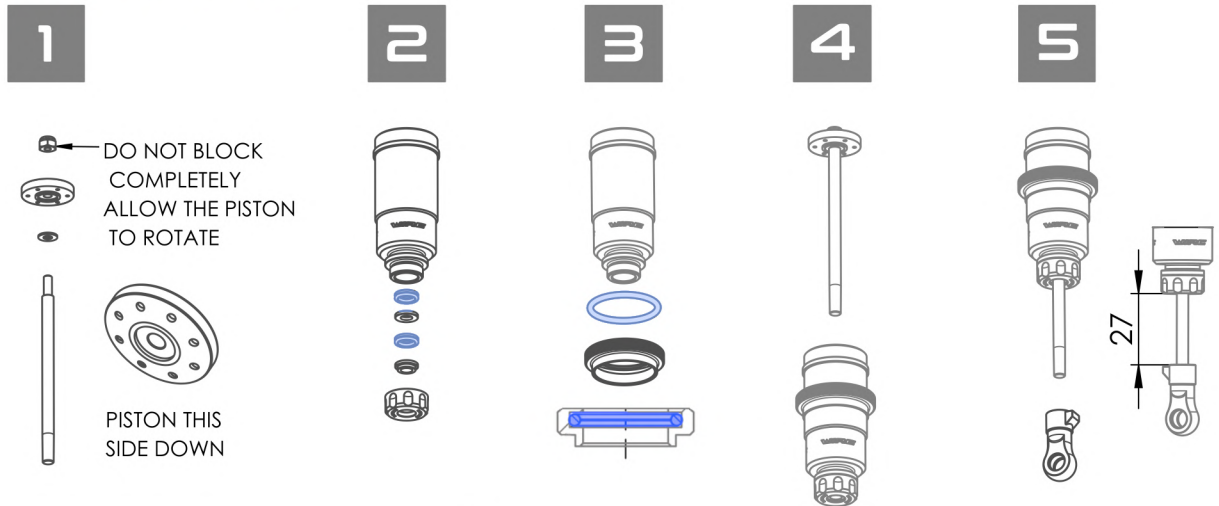
#### PISTONS

CODE	No.	Ø
007-612	6	1.2mm <u>IN KIT</u>
007-613	6	1.3mm
007-812	8	1.2mm
007-813	8	1.3mm

#### MEMBRANES

CODE	COLOR
100112S (SOFT)	YELLOW
100112M (MED)	BLUE <u>IN KIT</u>
100112H (HARD)	ORANGE

## ASSEMBLE 4 SETS



## 6



### SHOCK FILLING

Fully extend the piston rod so the piston is at the bottom of the shock body.

Hold the shock upright and fill the shock body with shock oil as in the picture.

Let the oil settle and allow air bubbles to rise to the top. Slowly move the piston up and down until no more air bubbles appear. Add shock oil as necessary.

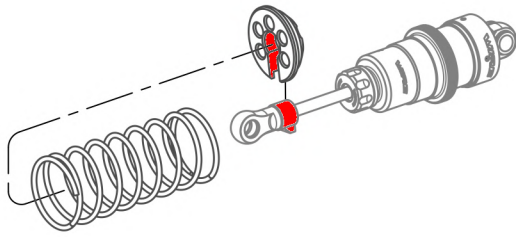
Pull the piston rod most of the way out of the shock body. Let the shock rest for 5 minutes to allow the air bubbles to scape.

#### P-ONE SHOCKS OIL

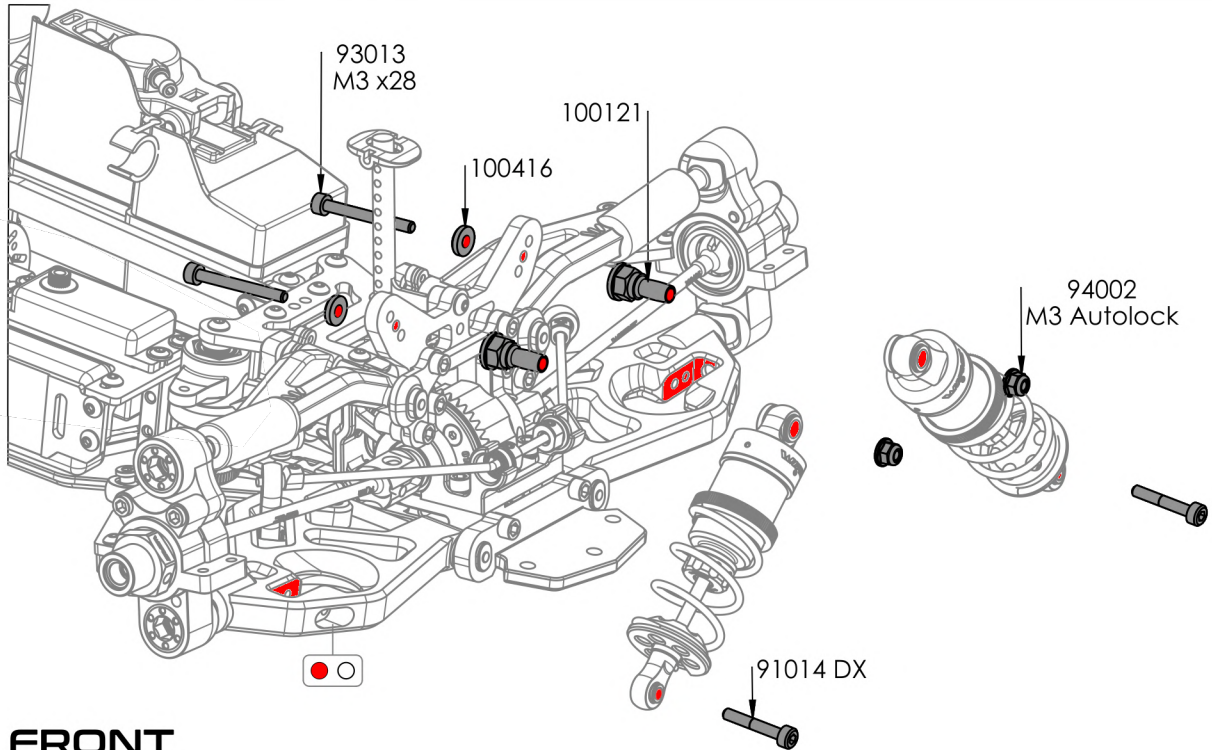
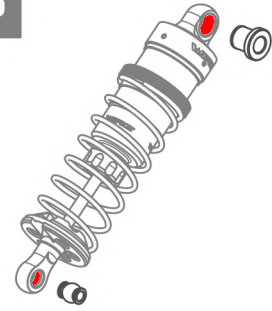
CODE	CST
SO-400	400
SO-500	500
SO-600	600
SO-700	700
SO-800	800
SO-900	900 <u>IN KIT</u>
SO-1000	1000

## Shock Absorbers

7

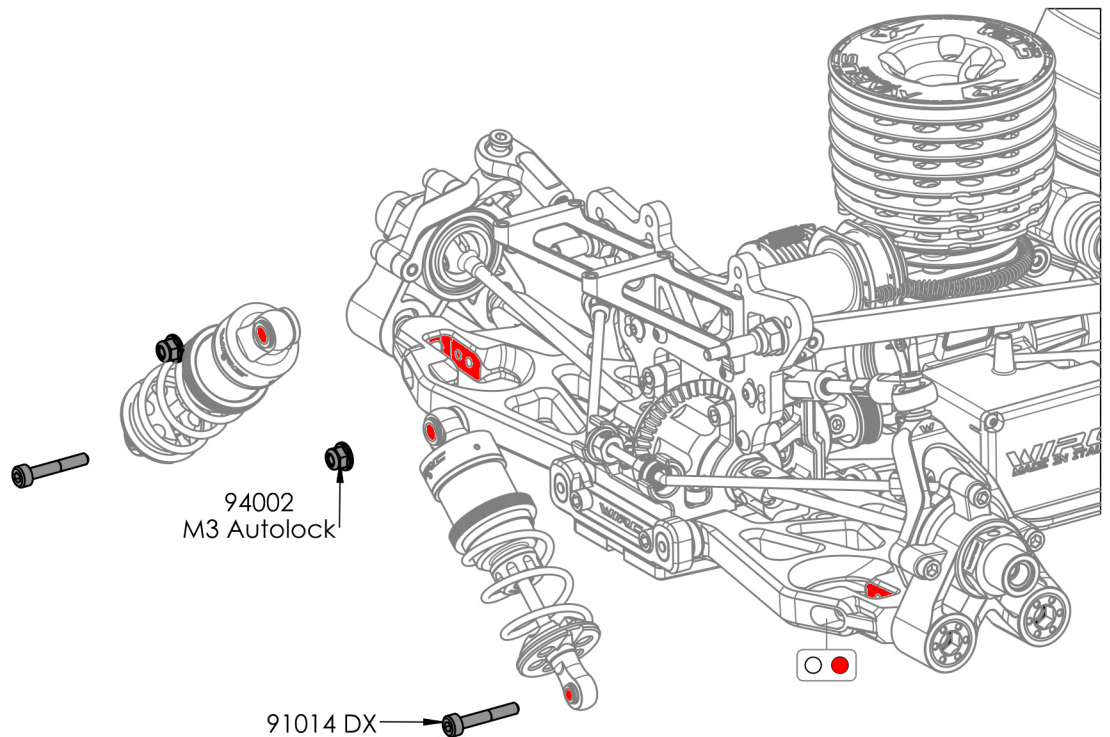


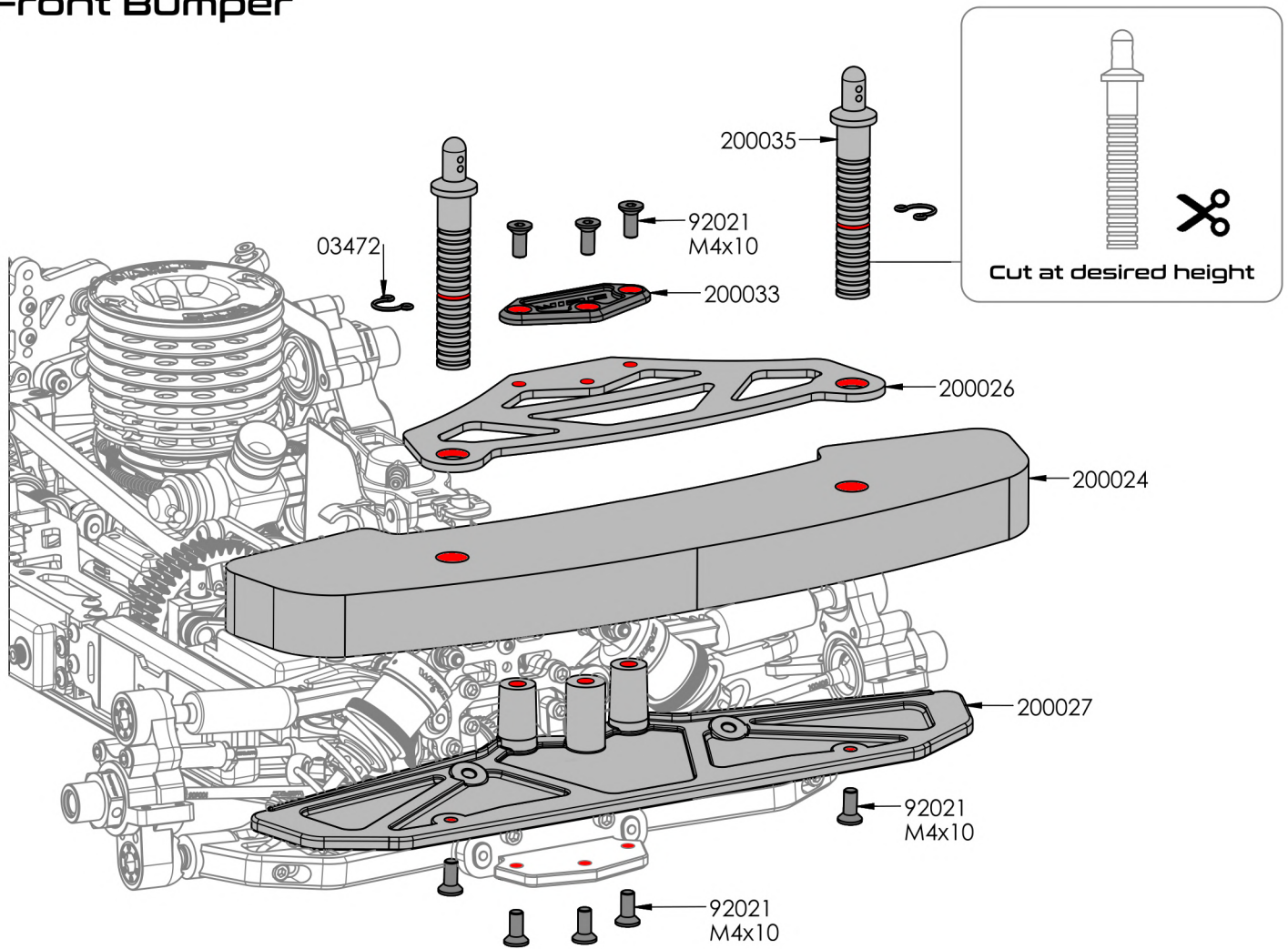
8



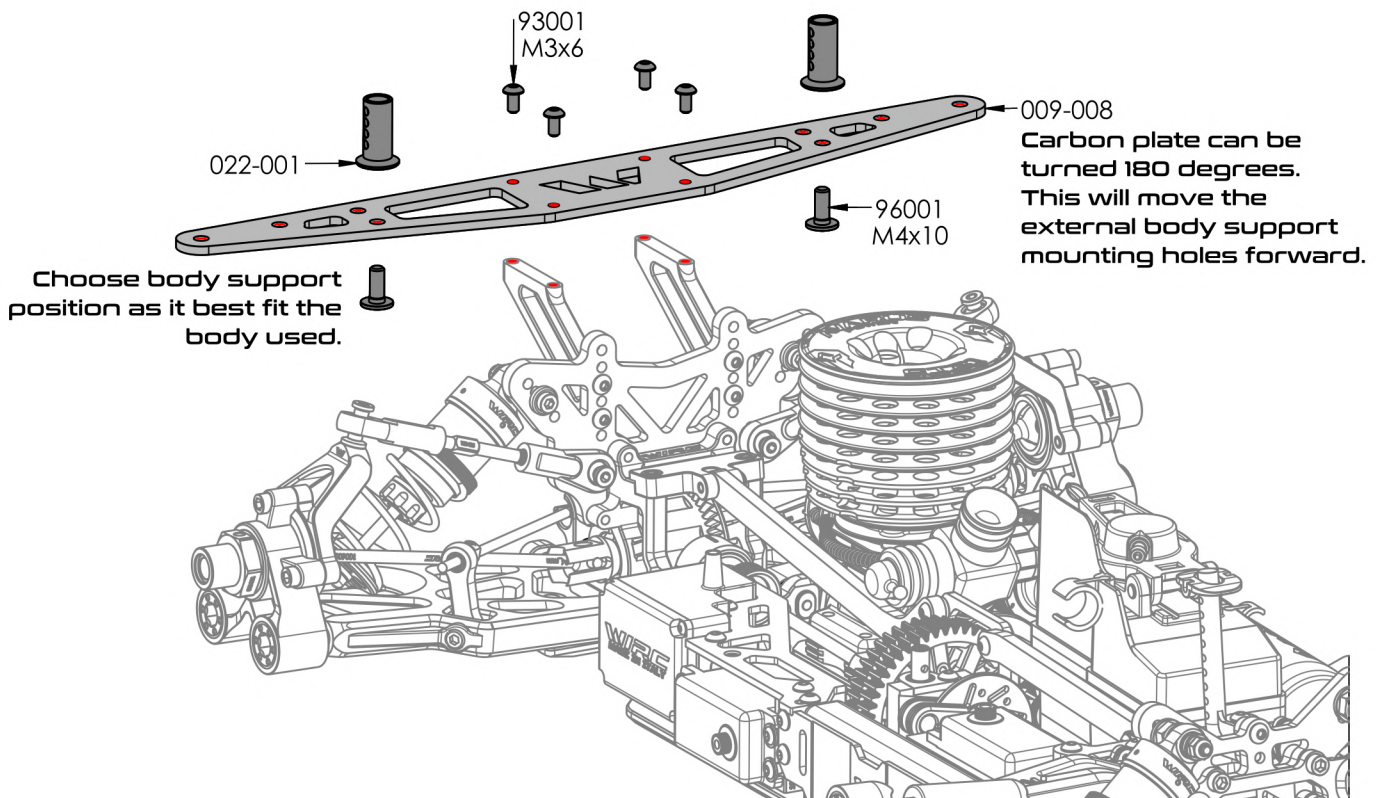
FRONT

REAR



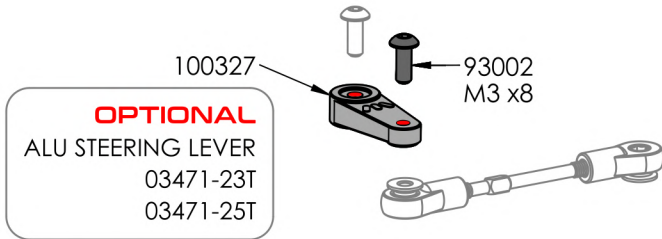
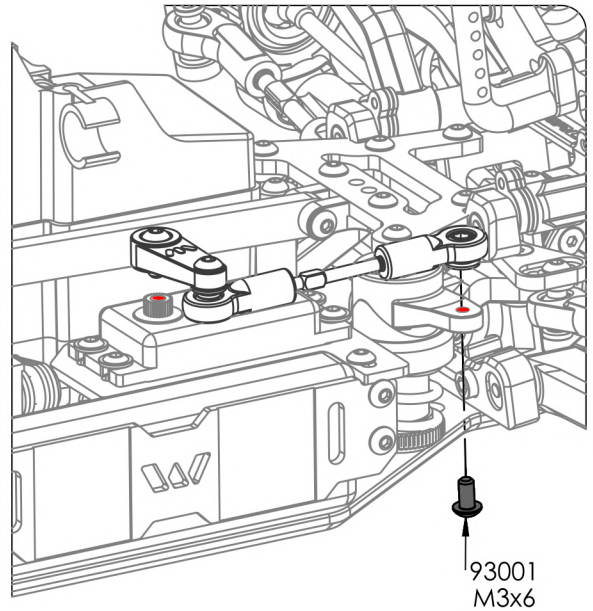
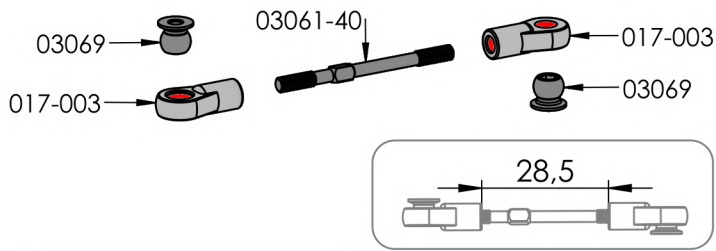


## Rear Body Support

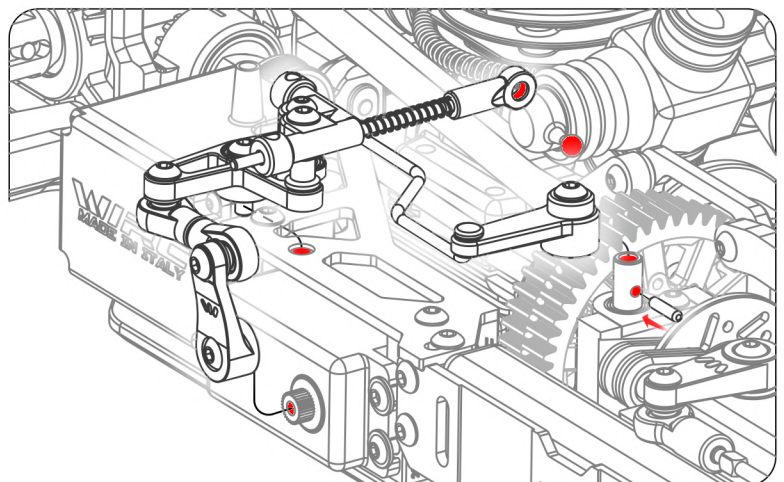
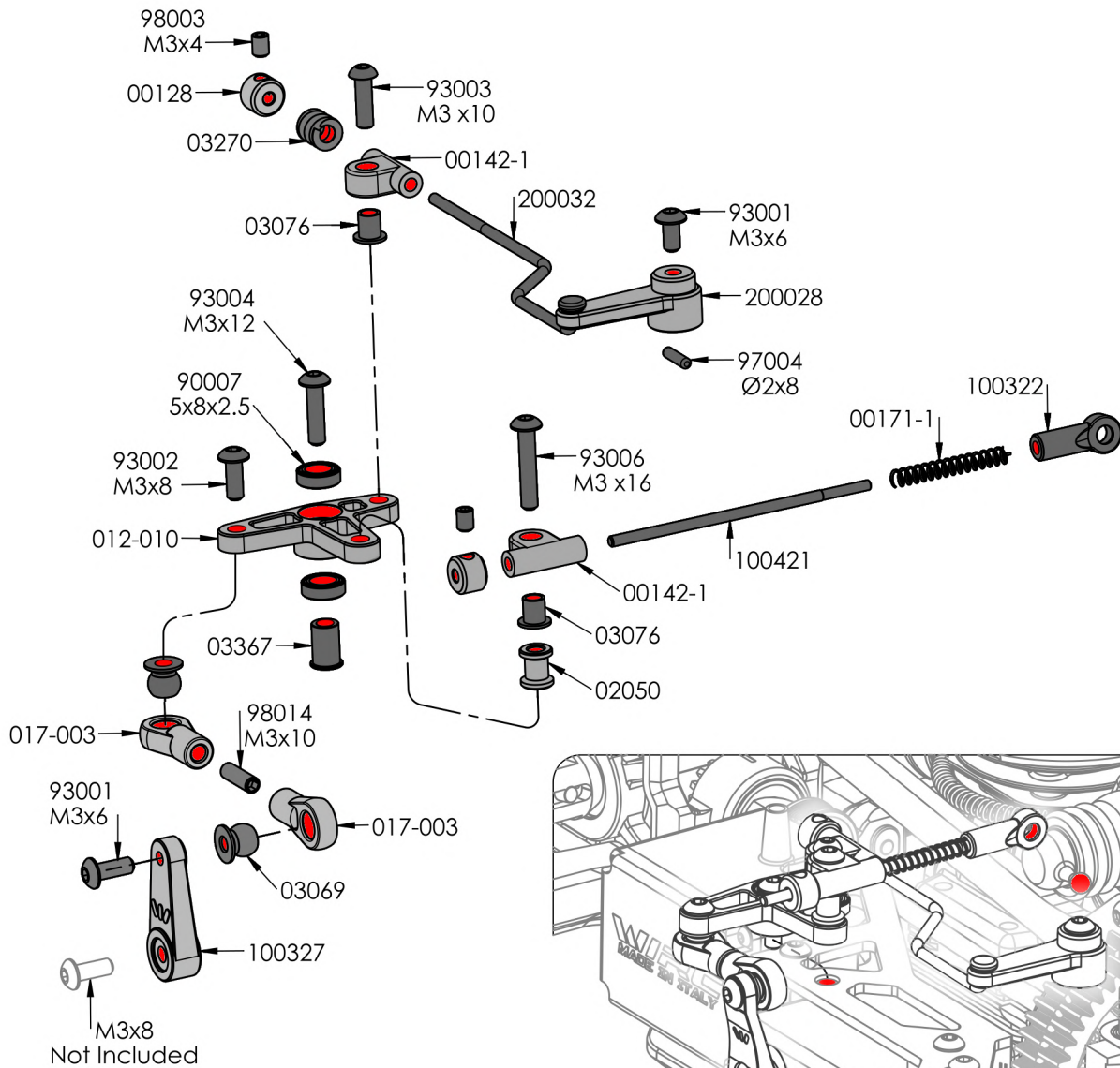


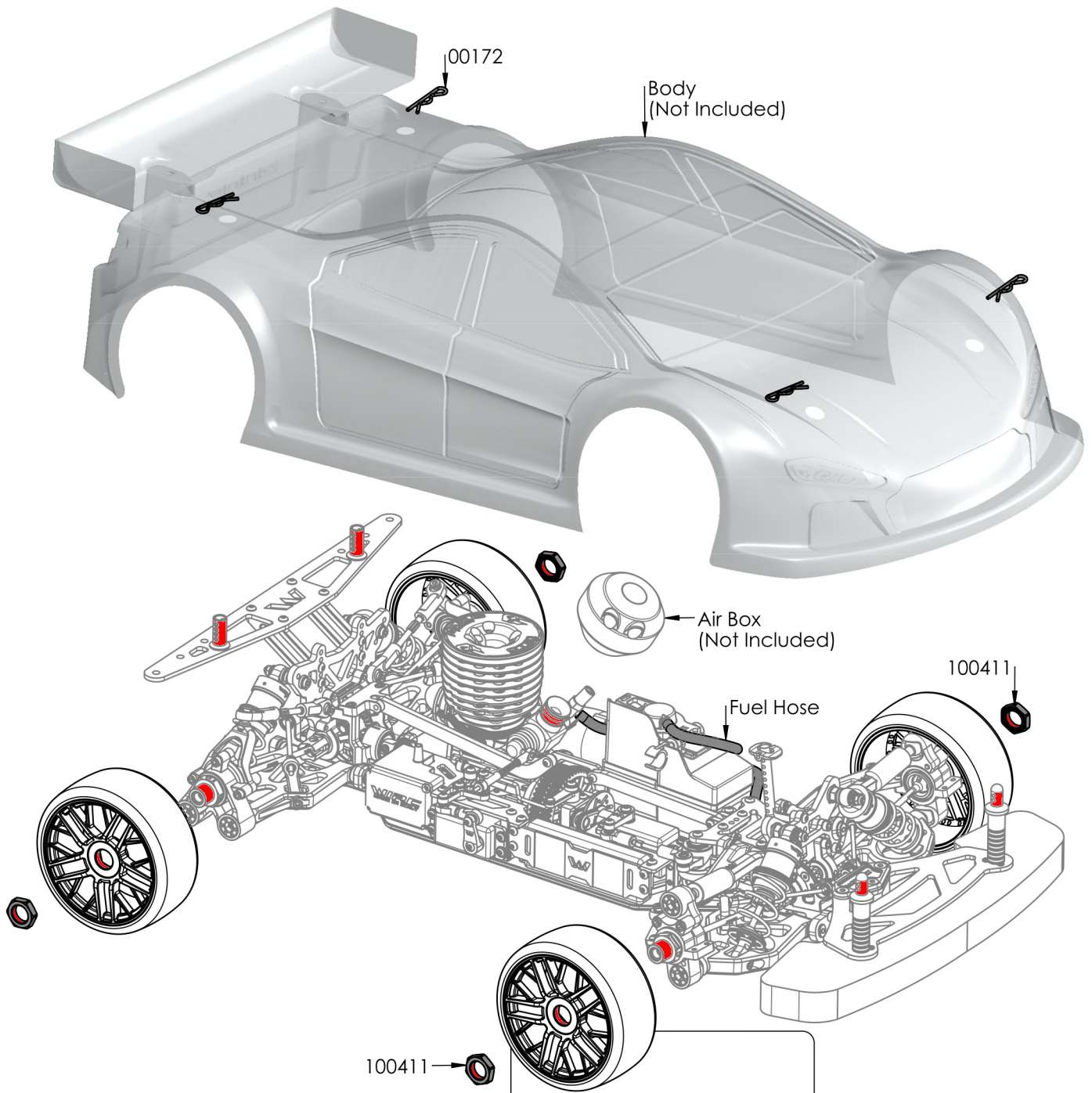


## Steering lever



## Throttle and Brake lever





**TYRES NOT INCLUDED**

**P:ONE**  
HIGH PERFORMANCES

**P-ONE PGT**  
TYRES AVAILABLE  
SEPARATELY IN 3  
DIFFERENT COMPOUNDS

# GT4R SETUP SHEET

NAME \_\_\_\_\_  
DATE \_\_\_\_\_  
TRACK \_\_\_\_\_

TRACK CONDITION	
AIR TEMP:	TRACK TEMP:
SURFACE	<input type="checkbox"/> SMOOTH <input type="checkbox"/> MEDIUM <input type="checkbox"/> BUMPY
SIZE	<input type="checkbox"/> TIGHT <input type="checkbox"/> MEDIUM <input type="checkbox"/> FAST
TRACTION	<input type="checkbox"/> LOW <input type="checkbox"/> MEDIUM <input type="checkbox"/> HIGH

GEARING			
1ST		PINION	
		SPUR GEAR	2ND

DIFFERENTIALS		
	FRONT	REAR
DIFF. TYPE:	<input type="checkbox"/> Std. <input type="checkbox"/> HTS	<input type="checkbox"/> Std. <input type="checkbox"/> HTS
OIL:	/cst	/cst

SHOCKS		
	FRONT	REAR
SPRING:		
OIL:	/cst	/cst
PISTON:		
MEMBRANE:		
REBOUND:	%	%
LENGTH:	/mm	/mm

ANTI-ROLL BARS	
FRONT:	/mm
REAR:	/mm

UPPERDECK	
<input type="checkbox"/> 1-PIECE	<input type="checkbox"/> 2-PIECES
<input type="checkbox"/> ONLY FRONT	<input type="checkbox"/> ONLY REAR <input type="checkbox"/> WITHOUT
THICKNESS:	/mm

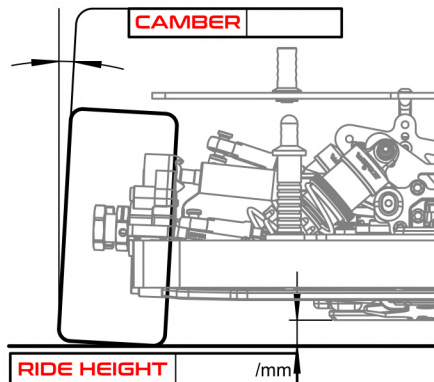
TYRES	
BRAND / TYPE:	
COMPOUND:	FL <input type="checkbox"/> <input type="checkbox"/> FR RL <input type="checkbox"/> <input type="checkbox"/> RR

ENGINE	
TYPE:	
MUFFLER:	
MANIFOLD:	
PLUG:	
FUEL:	

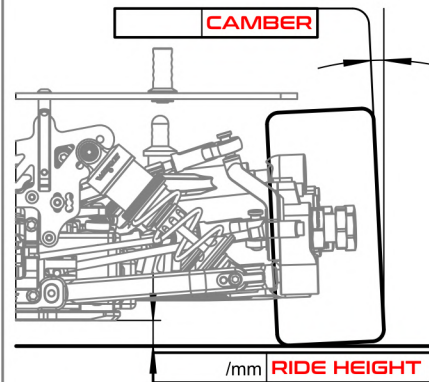
BODY	
BRAND / TYPE:	
WING HEIGHT:	/mm

CAR WEIGHT	/g
------------	----

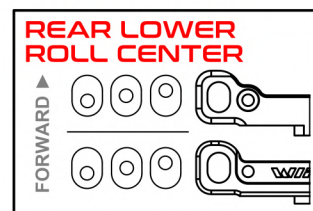
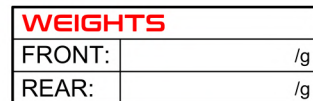
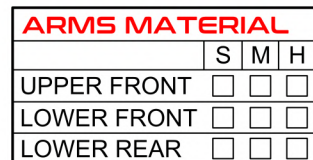
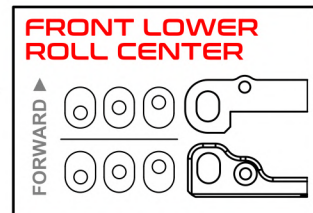
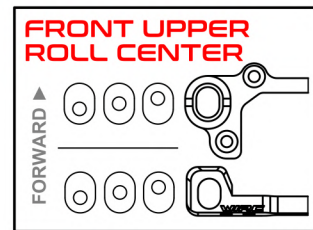
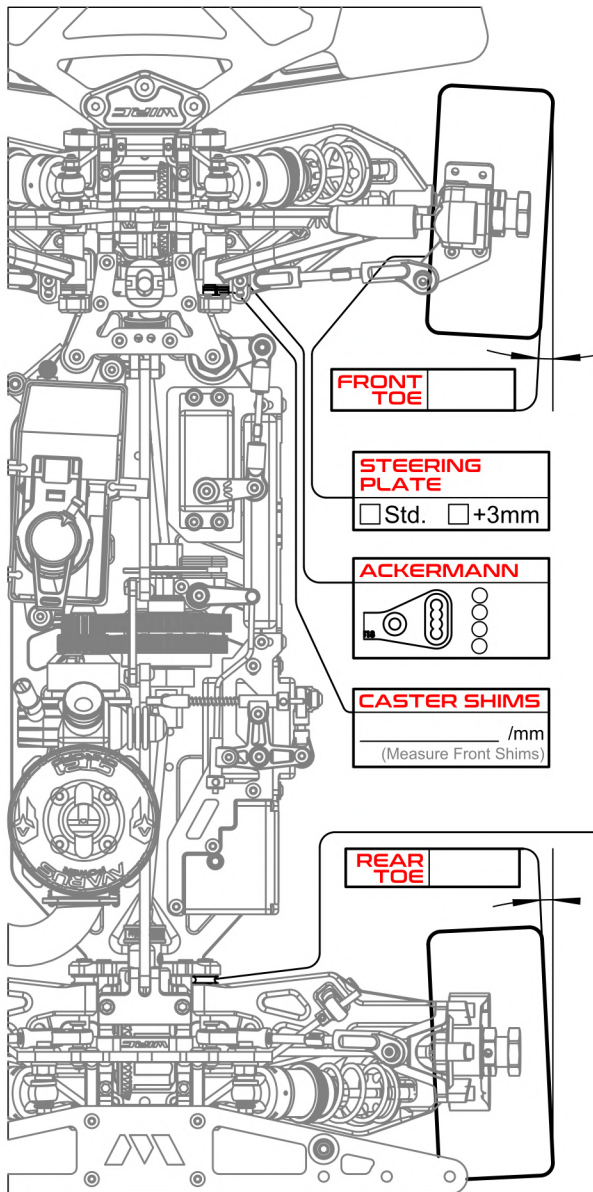
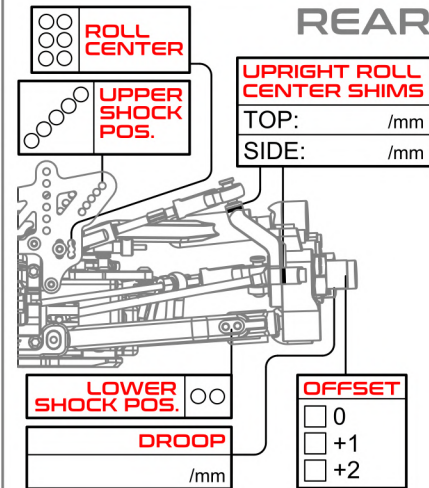
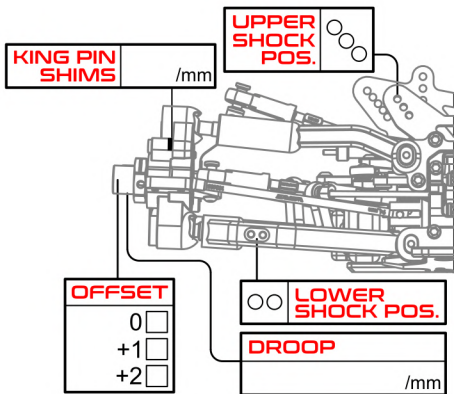
COMMENTS



FRONT



REAR





[WWW.WIRCRACING.COM](http://WWW.WIRCRACING.COM)