

Driver _____ Track Surface _____ Track Temperature _____
 Date _____ Track Traction _____ Result _____ Air Temperature _____
 Track _____ Country _____ Best Lap _____ Humidity _____ Remark _____

Front

Alu Hard Soft

Hex _____ mm

Spacer _____ mm

Sway Bar _____ mm

Ride Height _____ mm

Toe _____ mm

High Diff Low Diff

Carbon Plate Hard Soft No

Outer _____ mm

Steering _____ mm

Remark _____

Shocks

Spring _____

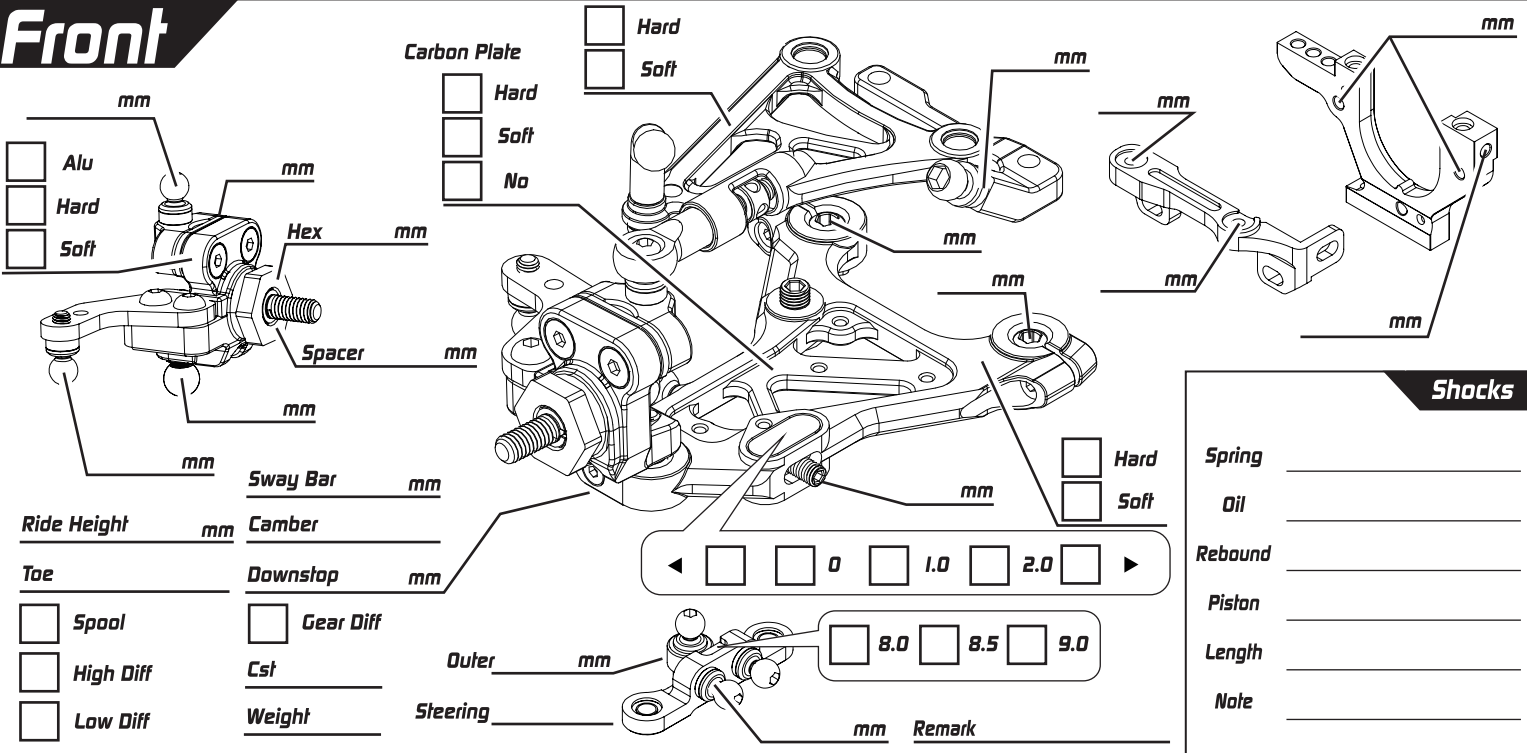
Oil _____

Rebound _____

Piston _____

Length _____

Note _____



Rear

Alu Hard Soft

Hex _____ mm

Spacer _____ mm

Sway Bar _____ mm

Ride Height _____ mm

Toe _____ mm

High Diff Low Diff

Carbon Plate Hard Soft No

Remark _____

Shocks

Spring _____

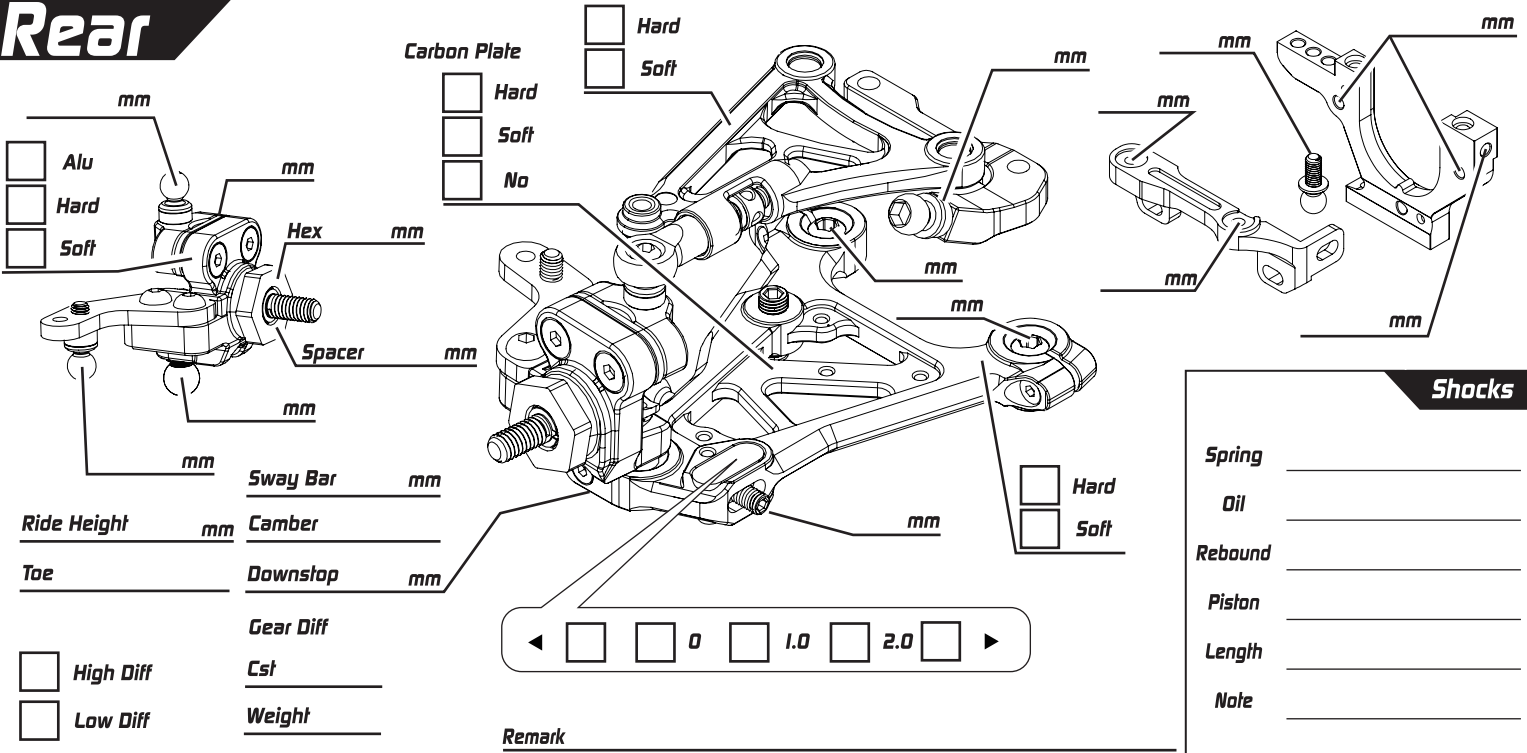
Oil _____

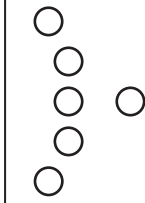
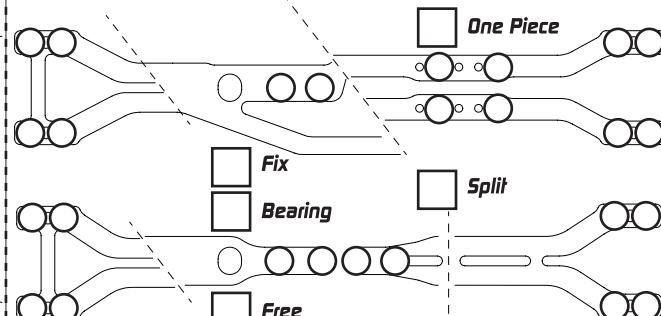
Rebound _____

Piston _____

Length _____

Note _____



Weight _____ g	Battery _____	Body _____	Weight _____ g	
	Tires _____	Additive _____	<input type="checkbox"/> Carbon <input type="checkbox"/> Alu	
ESC _____	Motor _____	Servo Horn Height _____ mm	Weight _____ g	<input type="checkbox"/> One Piece
Weight _____ g	Spur P/ T _____	Servo _____		<input type="checkbox"/> Fix <input type="checkbox"/> Bearing <input type="checkbox"/> Split
	Pinon P/ T FDR _____			<input type="checkbox"/> Free