

SET-UP SHEET

X4'24 SET-UP SHEET VER.1 ©XRAY

XRAY X4'24

RACE				
TRACK				
NAME		DATE		
QUAL POSITION	FINAL POSITION	BEST LAPTIME	LAPS	TIME
		/sec		/

TRACK		
TRACK SURFACE	<input type="checkbox"/> CARPET	<input type="checkbox"/> ASPHALT
TRACK LAYOUT	<input type="checkbox"/> TECHNICAL	<input type="checkbox"/> MIXED <input type="checkbox"/> FAST
TRACTION	<input type="checkbox"/> LOW	<input type="checkbox"/> MEDIUM <input type="checkbox"/> HIGH

FRONT	TRANSMISSION	REAR
GEAR DIFF OIL	<input type="checkbox"/> FRONT SOLID AXLE	GEAR DIFF OIL
PINION	SPUR GEAR	FINAL DRIVE RATIO

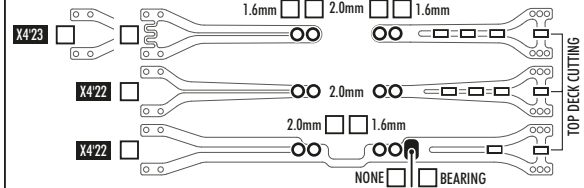
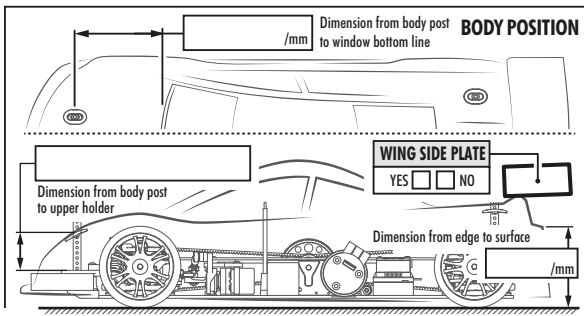
FRONT	SHOCKS	REAR
XRAY SPRINGS		
OIL /Cst		
REBOUND %		
<input type="checkbox"/> YES <input type="checkbox"/> NO	FOAM INSERTS	<input type="checkbox"/> YES <input type="checkbox"/> NO
<input type="checkbox"/> 4 HOLES <input type="checkbox"/> PSS	1.1mm <input type="checkbox"/> 1.2mm	1.1mm <input type="checkbox"/> 1.2mm <input type="checkbox"/> 4 HOLES <input type="checkbox"/> PSS
SHOCK LENGTH		SHOCK LENGTH

THICKNESS/mm	ANTI-ROLL BAR	THICKNESS/mm
--------------	----------------------	--------------

TIRES		TREATED AREA	
ADDITIVE			
ADDITIVE TIMING			
WIPE OFF TIME			
Timing:	Temp.:	Timing:	Temp.:
FRONT LEFT	FRONT RIGHT	REAR LEFT	REAR RIGHT

TOTAL WEIGHT	WEIGHT BALANCE	FRONT	REAR
/g	%	%	%

MOTOR	TIMING
ESC	BATTERIES
BODY	WING



COMMENTS	
----------	--

