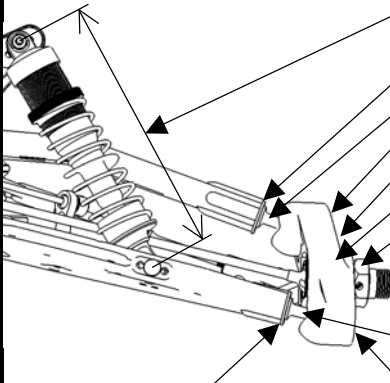


Name: E2024
 Date: _____
 Track: _____

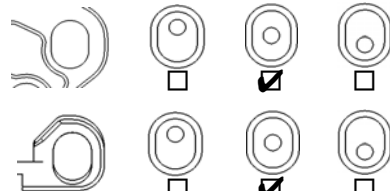
Track conditions
 Size: Open Med. Tight
 Traction: High Med. Low
 Surface: Smooth Med. Bumpy

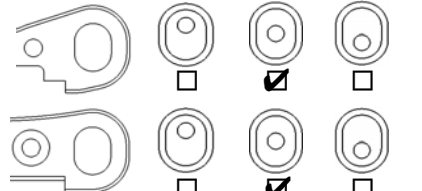
Result
 Race time / Lap: _____
 Best lap (1Lap): _____

Front suspension

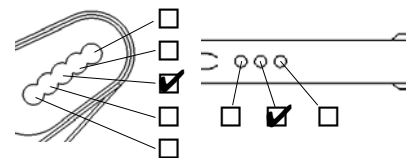


Rebound stop: 105mm
 Ride height: 36mm
 Toe angle: out
 Kingpin ball spacer: 0
 Lower arm plate: E2161A,B E2166(CFRP)
 Anti roll bar: φ 2.4(E0165)
 Upper arm spacer: 2mm
 E0160 E2123(Steel) E2161A,B
 E0159 E2124(Steel) E2166(CFRP)
 E2153 E2168(-3)
 E2146 E2147(1.5)
 E0241(2mm)
 E0239 E0240(1mm)
 E0160 E2123(Steel)
 E0159 E2124(Steel)

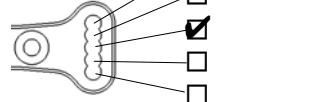
Kingpin ball spacer: 1mm
 Upper arm position:


Lower arm spacer: 0
 Lower arm position (Kick up):


Front shocks

Piston: E2569 Oil: #600
 Spring: φ 1.5L75-7.5 (E0574)
 Shock position:

 Pivot ball position:
 Front Rear

Steering ackerman

Front


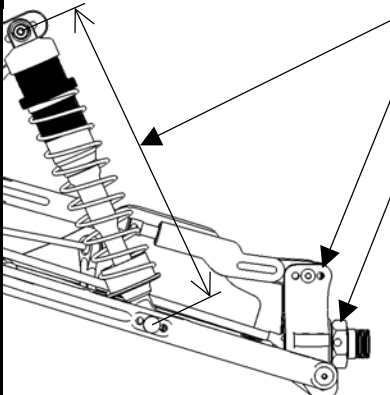
Front upper plate

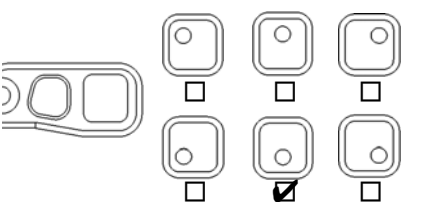
E2148D E2158(CFRP)

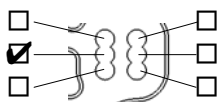
Servo saver arm

E2301A E2310(Aluminum)

Rear suspension

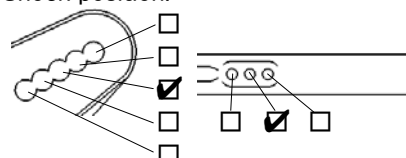


Rebound stop: 127mm
 Ride height: 38mm
 Camber angle: -2°
 E2131
 E2134(Aluminum)
 E0241(2mm)
 E0239 E0240(1mm)
 E2162A,B E2167(CFRP)
 Anti roll bar: φ 2.7(E0168)
 Lower arm spacer: 0
 Upright spacer: 2.5mm
 Lower arm position:


Upper arm position:


Lower arm position:
 E2151 E2169(+2) E2170(+4)

Rear shocks

Piston: E2569 Oil: #600
 Spring: φ 1.5L86-7.75 (E0578)
 Shock position:

 Pivot ball position:
 Front Rear


Center shaft

E2215,E2216(CVD) E2230,E2231

Tension rod

Front: E2107A(Long) E2107B(Short)
 Rear: E2148C E0803(Rubber)

Weight



Power train

Motor: _____
 ESC: _____
 Battery: _____

Diff. Gear

Oil
 Front: #10,000
 Rear: #7,000
 Center: 44T 46T #10,000

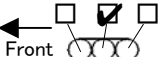
Tires

	Front	Rear
Type:	_____	_____
Compound:	_____	_____
Inserts:	_____	_____
Wheel:	_____	_____

Pinion gear

12T 13T 14T
 15T 16T 17T
 18T

Body/Wing

Body: Kit
 Wing: Kit
 Wing stay: E2422A E2428A(+15)
 Wing position:


Comments

.....

