

NOTICE

TH = Apply Thread Lock Adhesive
= 使用螺絲防鬆膠

CA = Apply CA Glue
= 使用瞬間接著劑

GE = Apply Grease
= 使用潤滑油

BAG 01

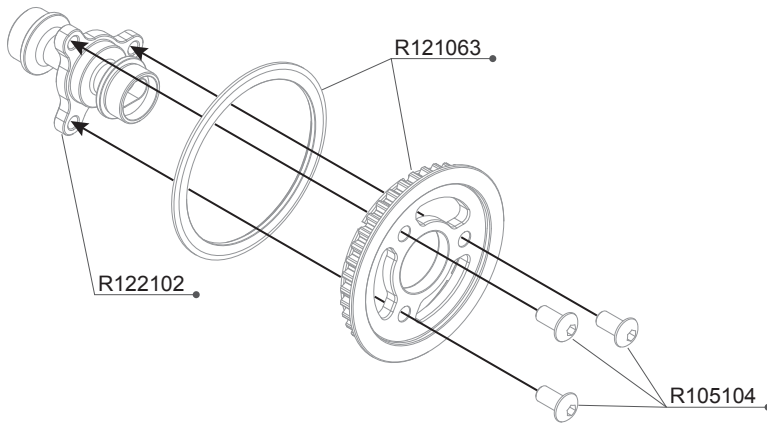
R105104
3x6 Round Screw (10)

R105204
3x8mm Flat Screw (10)



R106021
Low Friction Ball Bearing
10x15x4 (4)

1:1 Scale

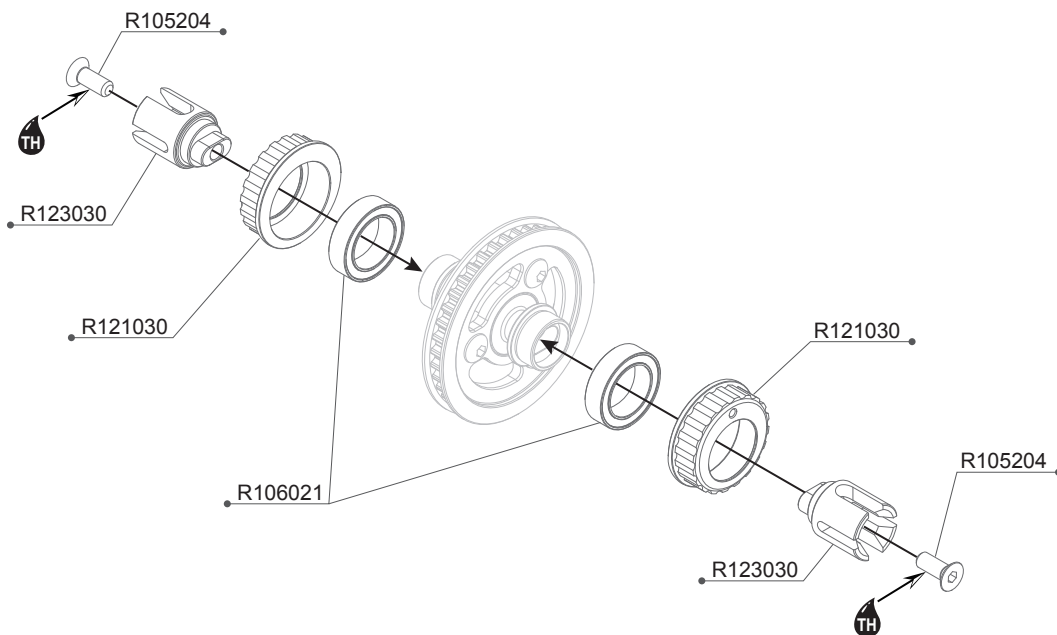
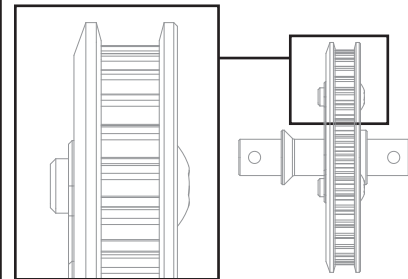


PULLEY COVER DIRECTION

請注方向

Please make sure the pulley cover is oriented with the bevel side out.

請依圖示方向組裝皮帶輪側蓋。

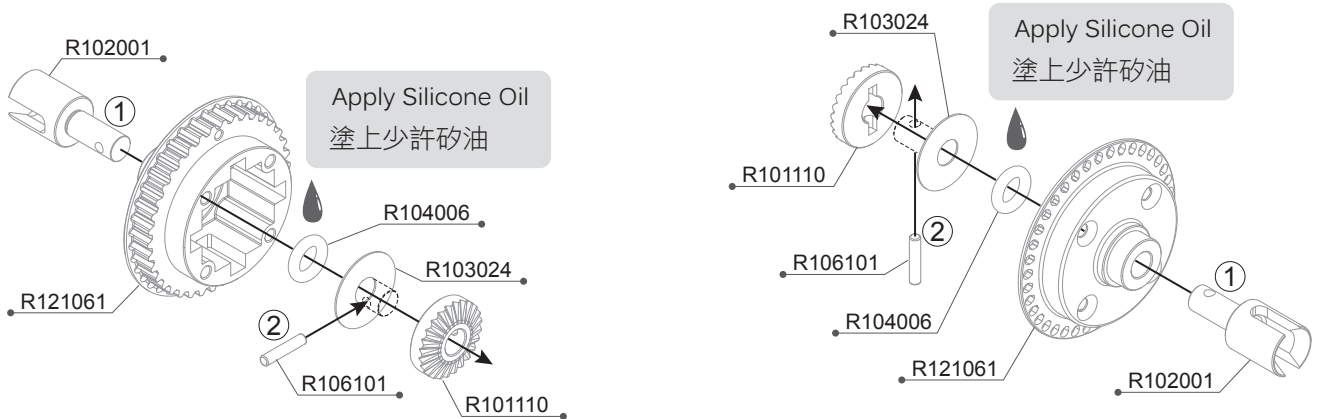


R105104 3x6 Round Screw (10)
R105204 3x8mm Flat Screw (10)
R106021 Low Friction Ball Bearing 10x15x4 (4pcs)
R121030 R12 Eccentric Hub (4)

R121063 R12 Kevlar Front Pulley 38T
R122102 R12.1 Solid Axle Shaft
R123030 R12.1 Steel Outdrive (2)

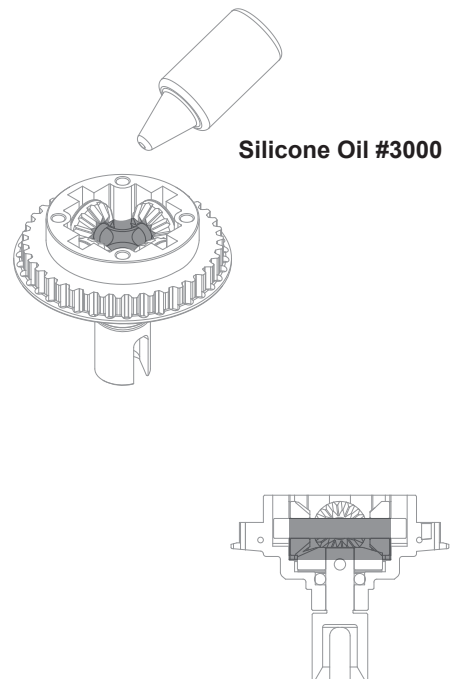
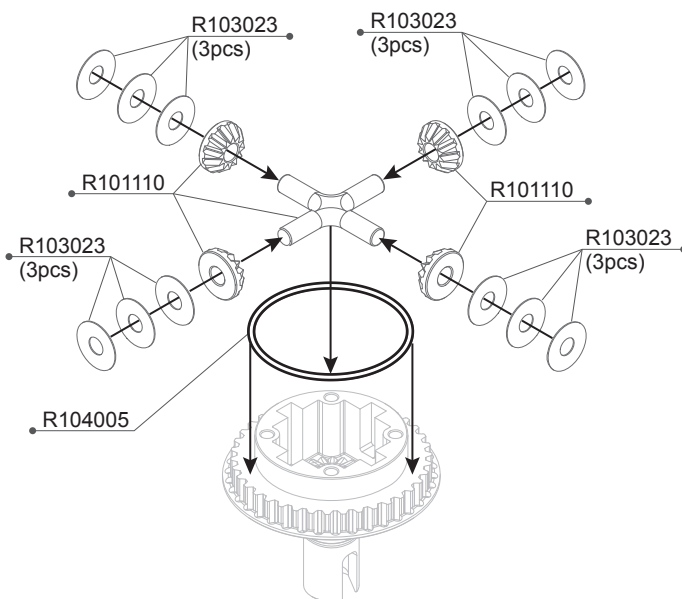
⊙ **R106101**
Ø2x9.8 Pin (10)

1:1 Scale

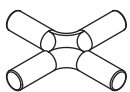


R101110 Diff Gears (with Axle)
R102001 Gear Diff Outdrive Alu(2pcs)
R103024 Gear Diff Shim Big(4pcs)

R104006 O'ring 5x2(4pcs)
R106101 2x9.8mm Pin (10pcs)
R121061 R12 Kevlar Diff Case



NOTICE



Trim any excess flashing from the diff gear axle at the mold injection point.

請將十字軸邊緣多餘的合模線修順，可使差速的運做更順暢。

NOTICE

We recommend using 1.5 grams of silicone diff oil.

建議加入1.5公克重規格3000CST的差速油。

R101110 Diff Gears (with Axle)
R103023 Gear Diff Shim Small(8pcs)

R104005 O'Ring 26x1 For Diff Case(2pcs)

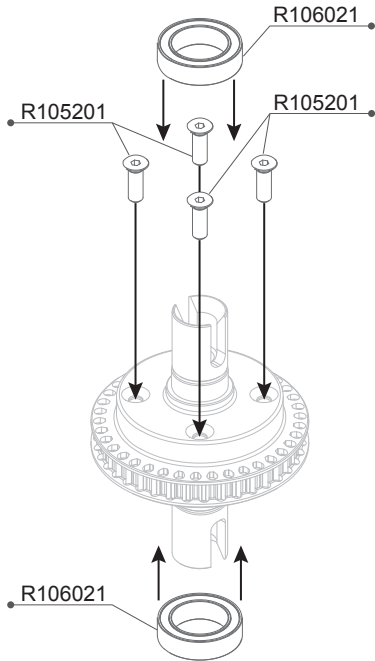


R105201
2.5x8mm Flat Screw (10)



R106021
Low Friction Ball Bearing
10x15x4 (4)

1:1 Scale

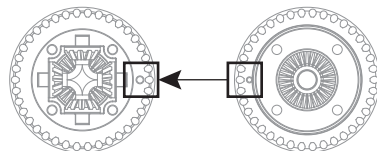
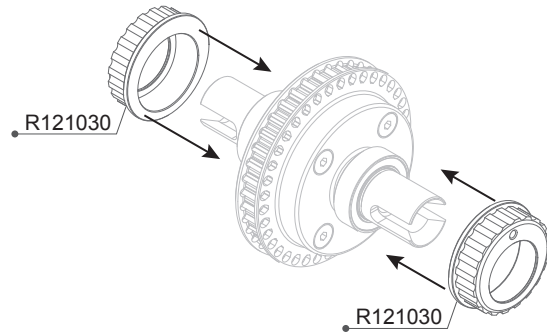


Option Parts (Not Included) / 改裝品 (未附於套件內)

R122017 R12 Eccentric Hub-Alu (4)

The aluminum eccentric hubs provide greater precision and finer belt tension adjustment.

鋁合金的偏心調整環可提供準確與更細緻的張力調整。



NOTICE

Diff case direction needs to match as per above.
差速外殼組裝時請依圖示對齊凹點。

- R105201 2.5x8mm Flat Screw (10)
- R106021 Low Friction Ball Bearing 10x15x4 (4pcs)

- R121030 R12 Eccentric Hub (4)

ASSEMBLY & EXPLODED VIEW



R105103
3x4 Round Screw (10)

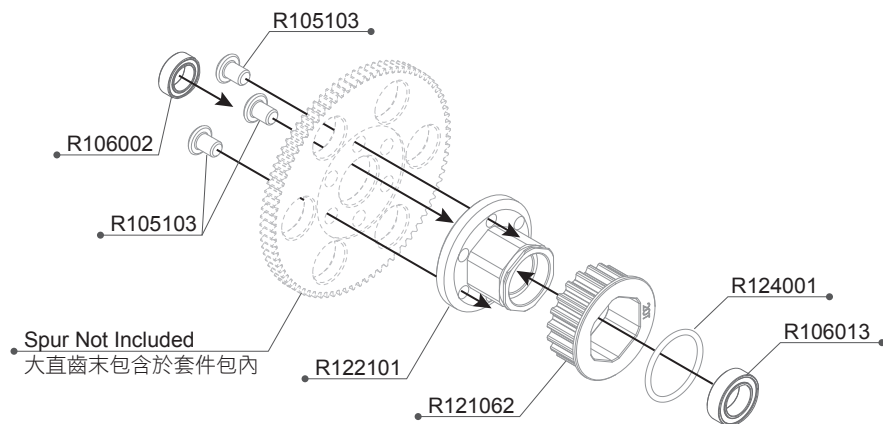


R106002
5x8x2.5mm Ball Bearing / Metal Seal (4)



R106013
6x10x3 Ball Bearing (2)

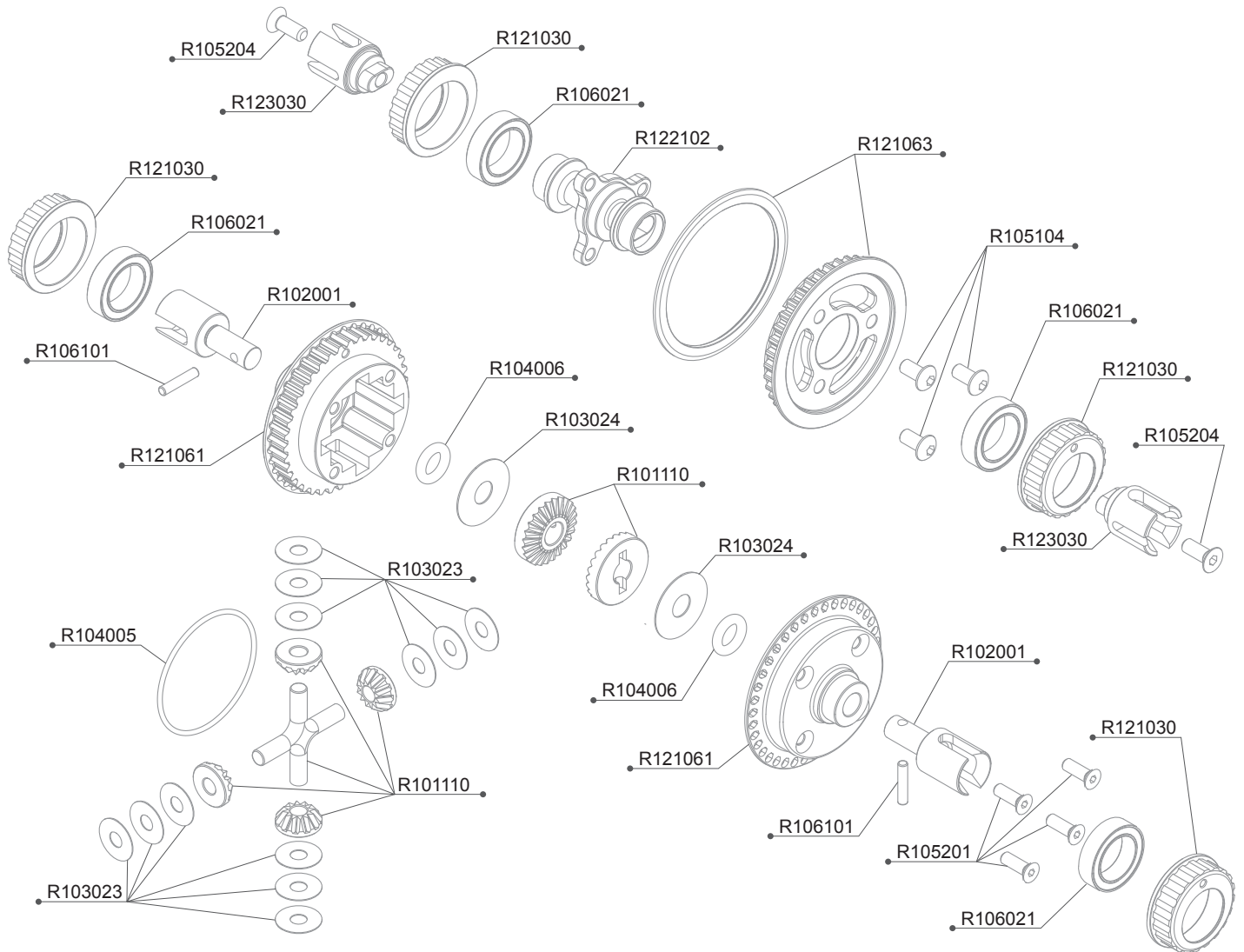
1:1 Scale



- R105103 3x4 Round Screw (10)
- R106002 5x8x2.5mm Ball Bearing /Metal Seal (4)
- R106013 6x10x3 Ball Bearing (2)

- R121062 R12 Kevlar Center Pulley 20T
- R122101 R12 Center Pulley Hub-Alu
- R124001 10x1 O'ring (4)

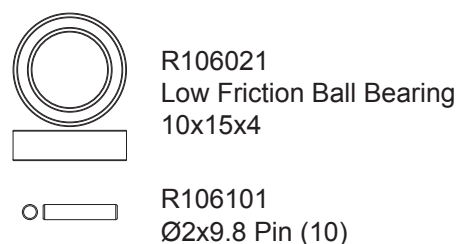
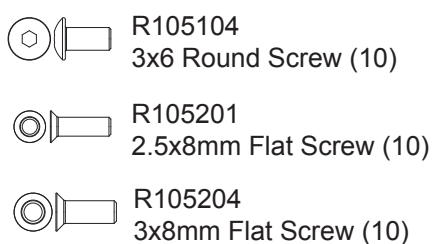
R12.1 BAG 01 PARTS EXPLODED VIEW



R12.1 BAG 01 PARTS LIST

R101110	Diff Gears (with Axle)	R105204	3x8mm Flat Screw (10)
R102001	Gear Diff Outdrive Alu(2pcs)	R106021	Low Friction Ball Bearing 10x15x4 (4pcs)
R103023	Gear Diff Shim Small(8pcs)	R106101	2x9.8mm Pin (10pcs)
R103024	Gear Diff Shim Big(4pcs)	R121030	R12 Eccentric Hub (4)
R104005	O'Ring 26x1 For Diff Case(2pcs)	R121061	R12 Kevlar Diff Case
R104006	O'ring 5x2(4pcs)	R121063	R12 Kevlar Front Pulley 38T
R105104	3x6 Round Screw (10)	R122102	R12.1 Solid Axle Shaft
R105201	2.5x8mm Flat Screw (10)	R123030	R12.1 Steel Outdrive (2)

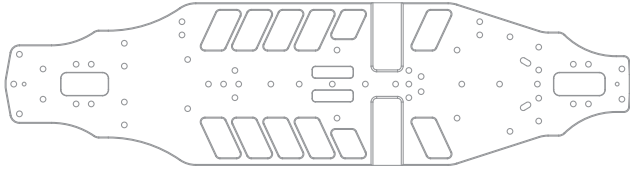
1:1 SCALE



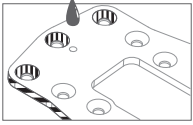
Option Parts (Not Included) / 改裝品 (未附於套件內)

R122046

R12 21 Aluminum Chassis 2.0mm

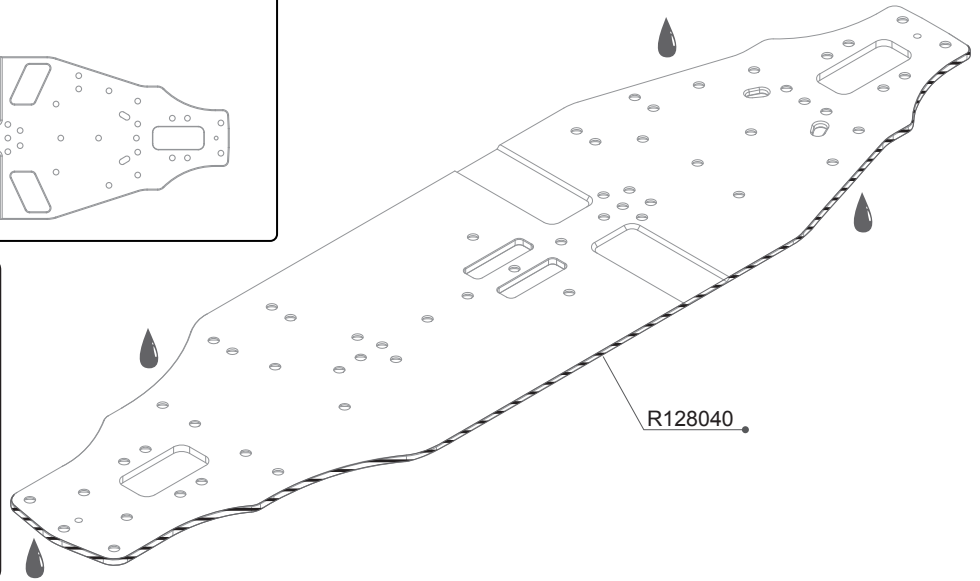


NOTICE



Apply CA Glue to the chassis edges and front bumper screws as highlighted.

請依圖示中的位置將前保桿螺絲孔用瞬間膠做補強。



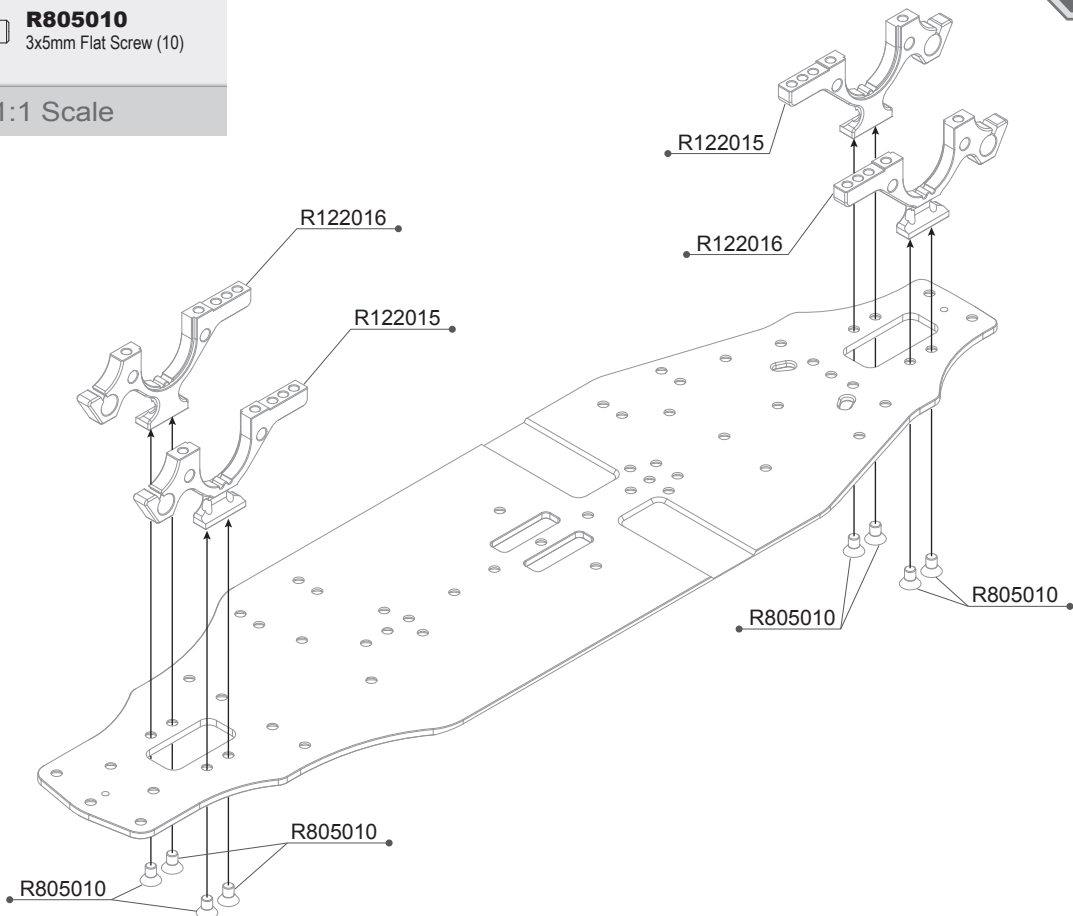
R128040 R12.1 Main Chassis (Carbon)



R805010

3x5mm Flat Screw (10)

1:1 Scale



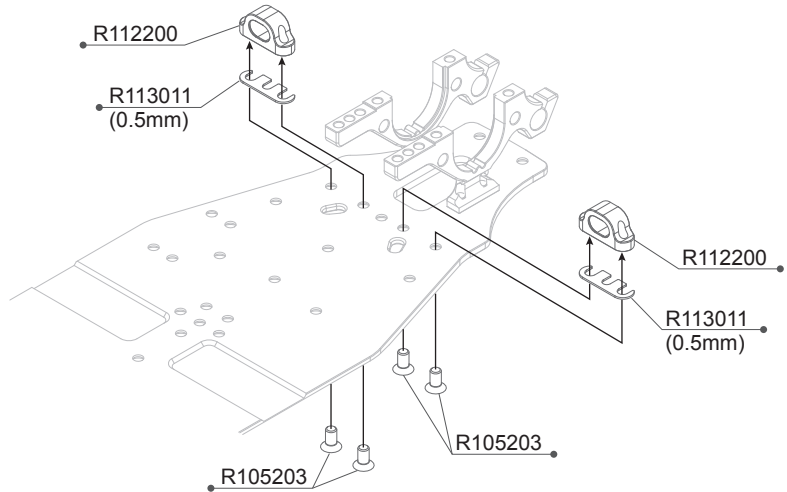
R122015 R12 Bulkhead-FL/RR
R122016 R12 Bulkhead-FR/RL

R805010 3x5mm Flat Screw (10)



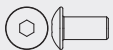
R105203
3x6mm Flat Screw (10)

1:1 Scale



R105203 3x6mm Flat Screw (10)
R112200 R11 Suspension Block RF (2)

R113011 R11 Roll Center Shims-Narrow 0.5mm (4)



R105104
3x6 Round Screw (10)



R103050
3x5x0.3mm Shims (10)

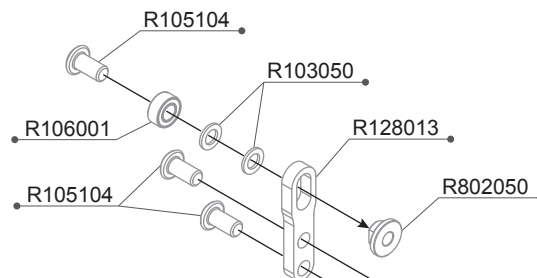


R106001
3x6x2.5mm Ball Bearing (2)

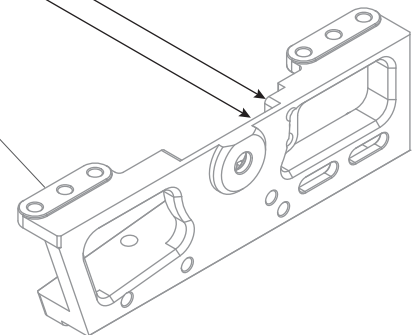
1:1 Scale

Option Parts (Not Included) / 改装品 (未附於套件內)

R129001 R12 Belt Tensioner set



R122021



R103050 3x5x0.3mm Shims (10)
R105104 3x6 Round Screw (10)
R106001 3x6x2.5mm Ball Bearing (2)

R122021 R12 Motor Bulkhead
R128013 R12 Belt Tensioner Plate
R802050 Belt Tensioner Shaft



R102020
3x6x0.5mm Alu Shims (8)



R105203
3x6mm Flat Screw (10)

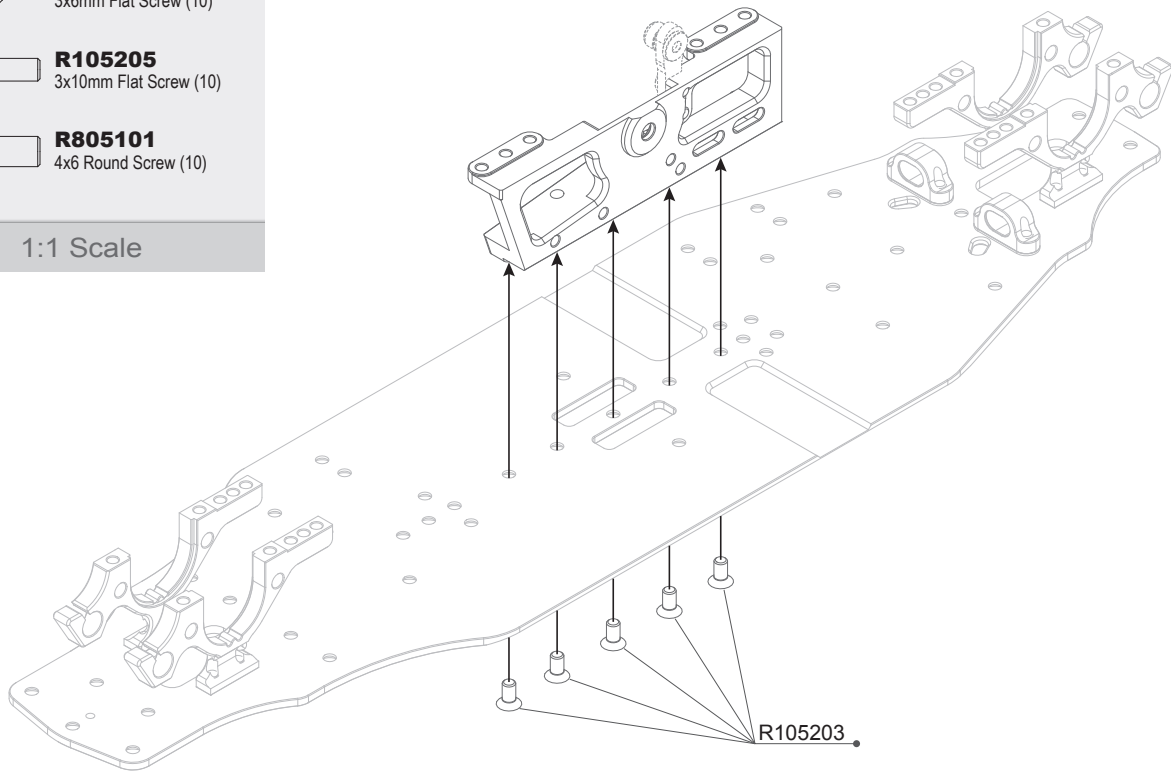


R105205
3x10mm Flat Screw (10)



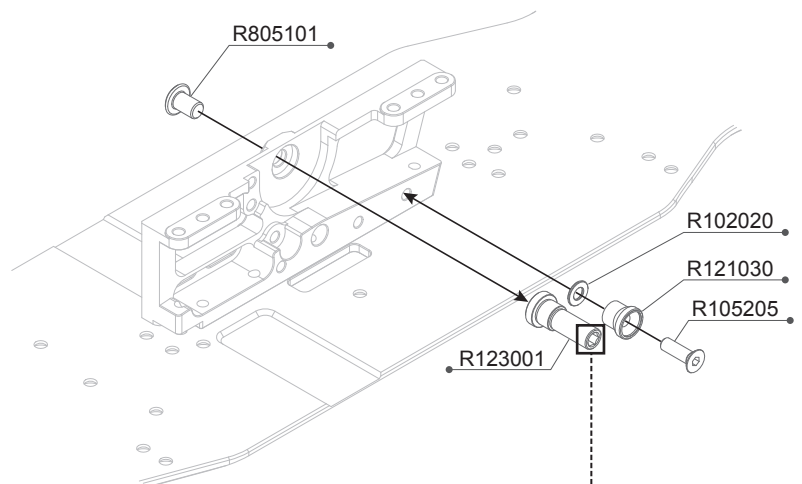
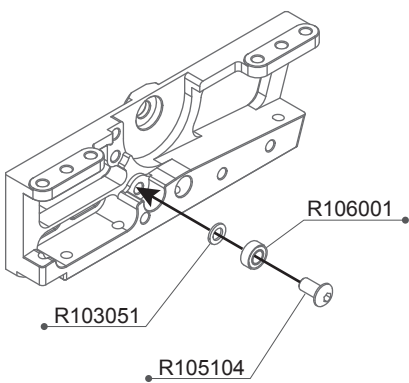
R805101
4x6 Round Screw (10)

1:1 Scale



Option Parts (Not Included)

/ 改裝品 (未附於套件內)



Use 3mm hex driver to tighten the shaft
請使用3.0mm六角板手來固定此軸

R102020 3x6x0.5mm Alu Shims(8pcs)
R105203 3x6mm Flat Screw (10)
R105205 3x10mm Flat Screw (10)

R121030 R12 Eccentric Hub (4)
R123001 R12 Spur Shaft
R805101 4x6 Round Screw (10)

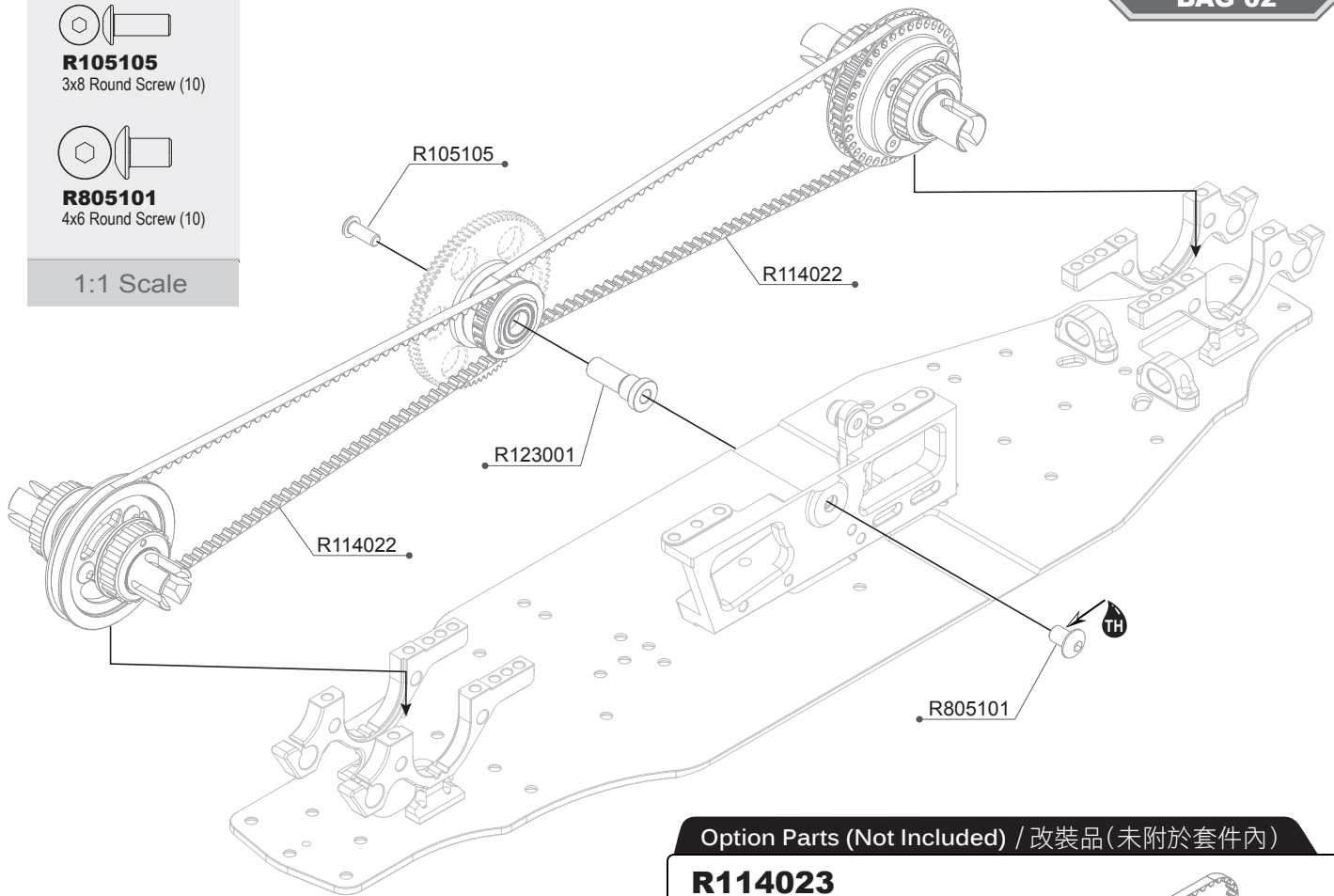


R105105
3x8 Round Screw (10)



R805101
4x6 Round Screw (10)

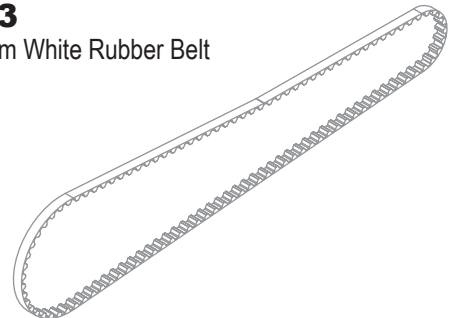
1:1 Scale



Option Parts (Not Included) / 改裝品 (未附於套件內)

R114023

S3M-351-3mm White Rubber Belt



NOTICE

R12.1 Internal Gear Ratio 1.9 (20T/38T)/ R12.1終傳比1.9(20T/38T)

38T
Initial Position / 預設位置

38T
Initial Position / 預設位置

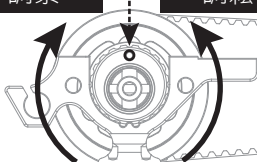
Tighten
調緊

Loosen
調鬆

Loosen
調鬆

Tighten
調緊

20T



Adjust front belt tension
前皮帶張力調整

Adjust rear belt tension
後皮帶張力調整

R105105 3x8 Round Screw (10)
R114022 S3M-351-3mm Belt

R123001 R12 Spur Shaft
R805101 4x6 Round Screw (10)

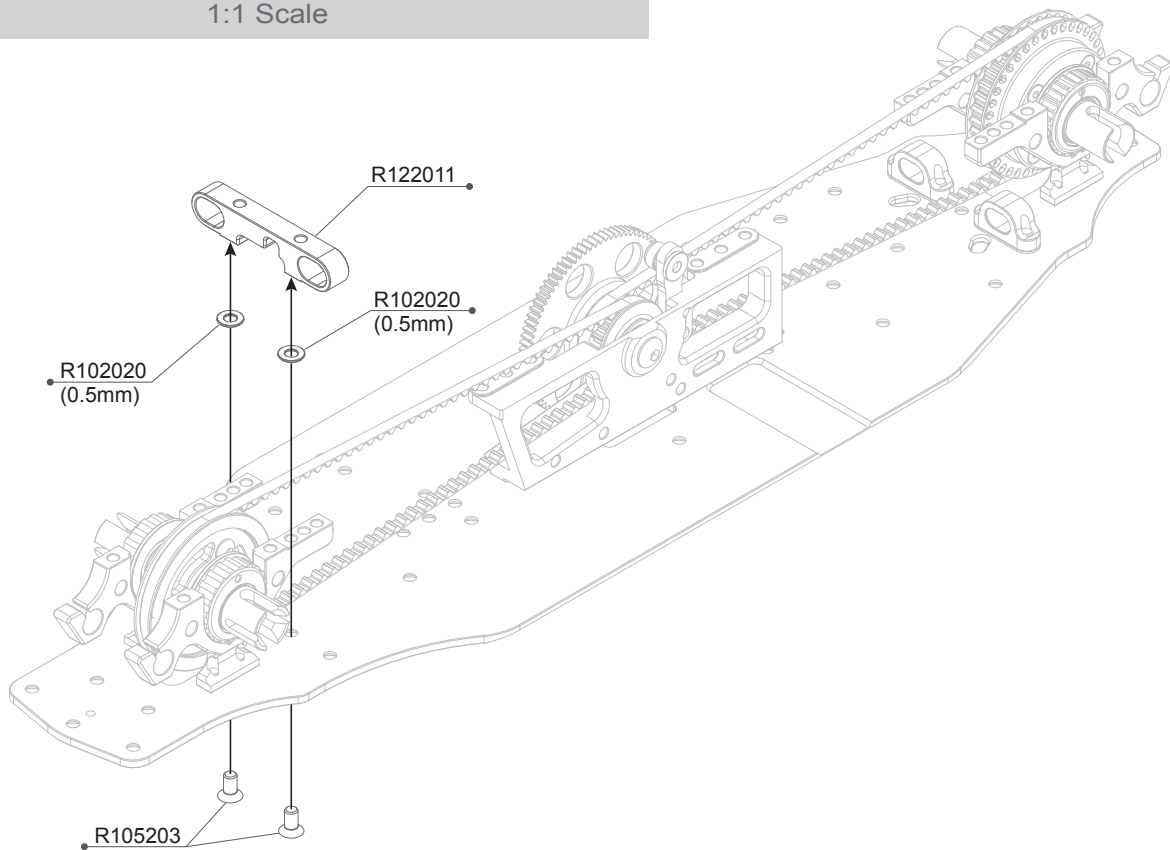


R102020
3x6x0.5mm Alu Shims (8)



R105203
3x6mm Flat Screw (10)

1:1 Scale

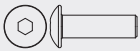


R102020 3x6x0.5mm Alu Shims(8pcs)
R105203 3x6mm Flat Screw (10)

R122011 R12 Suspension Block-FR

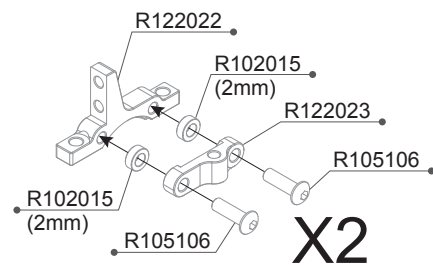
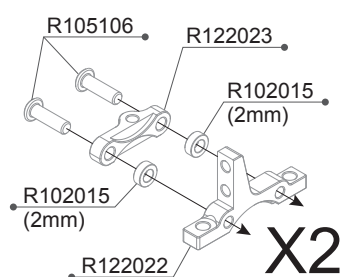


R102015
3x5.5x2mm Alu Shims (8)



R105106
3x10 Round Screw (10)

1:1 Scale



R102015 3x5.5x2mm Alu Shims(8pcs)
R105106 3x10 Round Screw (10)

R122022 R12 Upper Bulkhead
R122023 R12 Upper Link Base



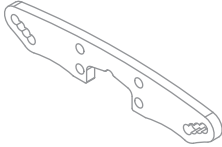
R105104
3x6 Round Screw (10)

1:1 Scale

Option Parts (Not Included) / 改裝品 (未附於套件內)

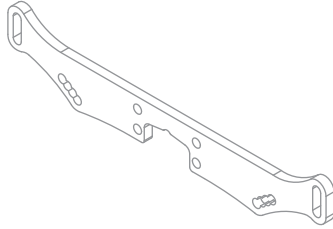
R128012

R12 Front Shock Tower -3mm

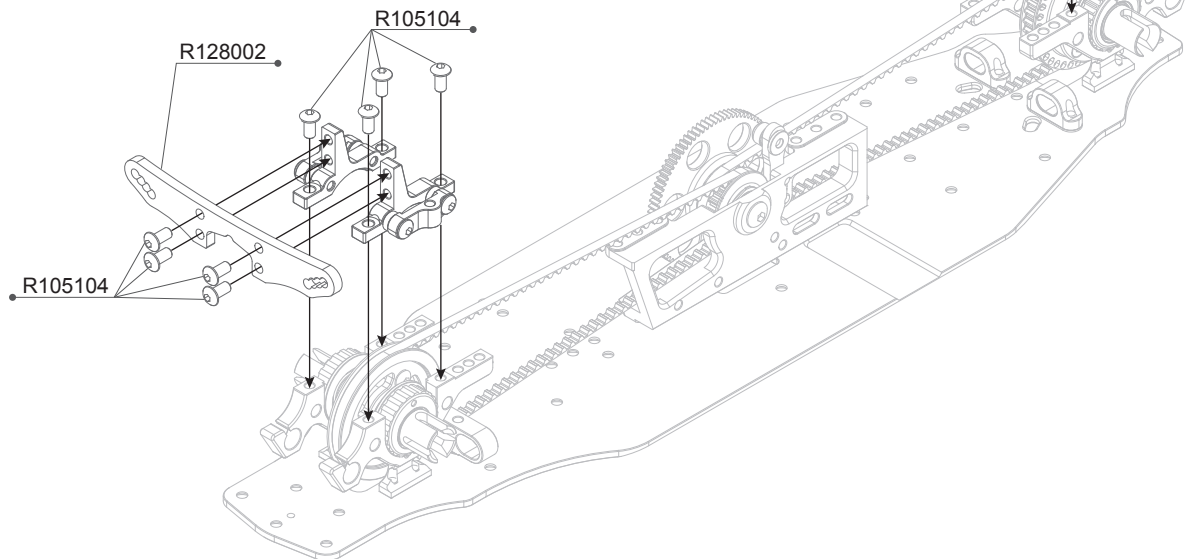
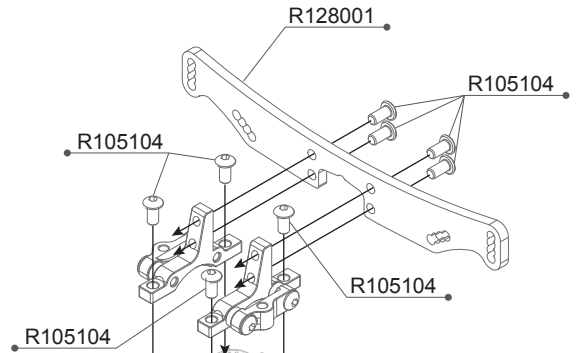


R128011

R12 Rear Shock Tower -3mm



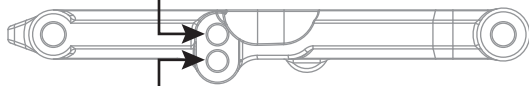
Recommend to use on indoor track or medium to high traction.
建議使用於中/高抓地力的場合



NOTICE

Default position with standard shock tower

預設標準避震器孔位

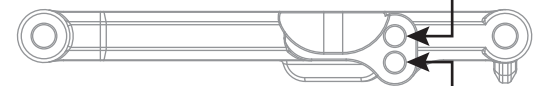
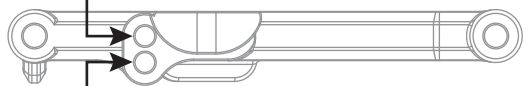


Optional lower position with -3mm shock tower (R128012)

-3mm低避震器孔位(使用R128012)

Default position with standard shock tower

預設標準避震器孔位



Optional lower position with -3mm shock tower (R128011)

-3mm低避震器孔位(使用R128011)

R105104 3x6 Round Screw (10)
R128001 R12 Rear Shock Tower

R128002 R12 Front Shock Tower

R12.1 BAG 02 PARTS EXPLODED VIEW



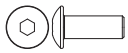
R12.1 BAG 02 PARTS LIST

R102015	3x5.5x2mm Alu Shims(8pcs)	R122015	R12 Bulkhead-FL/RR
R102020	3x6x0.5mm Alu Shims(8pcs)	R122016	R12 Bulkhead-FR/RL
R105104	3x6 Round Screw (10)	R122021	R12 Motor Bulkhead
R105105	3x8 Round Screw (10)	R122022	R12 Upper Bulkhead
R105106	3x10 Round Screw (10)	R122023	R12 Upper Link Base
R105203	3x6mm Flat Screw (10)	R123001	R12 Spur Shaft
R105205	3x10mm Flat Screw (10)	R128001	R12 Rear Shock Tower
R112200	R11 Suspension Block RF (2)	R128002	R12 Front Shock Tower
R113011	R11 Roll Center Shims-Narrow 0.5mm (4)	R128040	R12.1 Main Chassis (Carbon)
R114022	S3M-351-3mm Belt	R805010	3x5mm Flat Screw (10)
R121030	R12 Eccentric Hub (4)	R805101	4x6 Round Screw (10)
R122011	R12 Suspension Block-FR		

1:1 SCALE



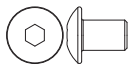
R105104
3x6 Round Screw (10)



R105105
3x8 Round Screw (10)



R105106
3x10 Round Screw (10)



R805101
4x6 Round Screw (10)



R102015
3x5.5x2mm Alu Shims (8)



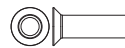
R102020
3x6x0.5mm Alu Shims (8)



R805010
3x5mm Flat Screw (10)



R105203
3x6mm Flat Screw (10)



R105205
3x10mm Flat Screw (10)



R102017
3x5.5x3mm Alu Shims (4)



R105104
3x6mm Round Screw (10)

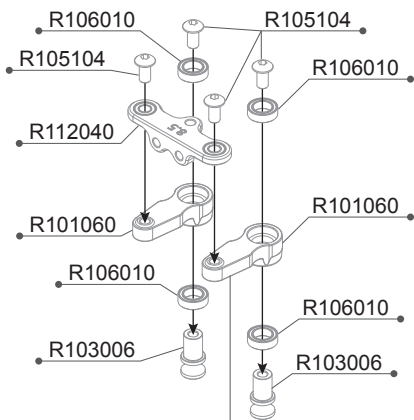
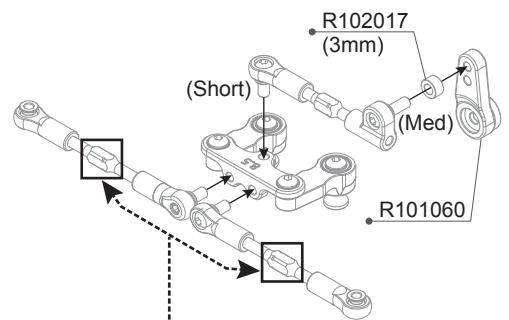
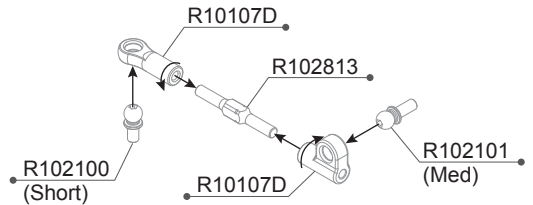
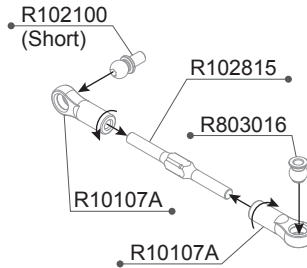
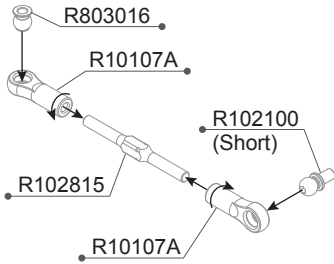
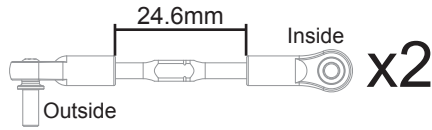
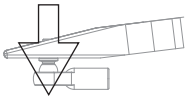
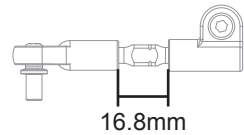


R105203
3x6mm Flat Screw (10)

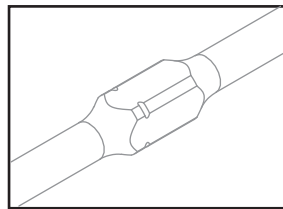


R106010
5x8x2.5mm Ball Bearing (4)

1:1 Scale



NOTICE



It is recommended to place the notch on each turnbuckle to the left side, which will make it easier to adjust camber and toe.

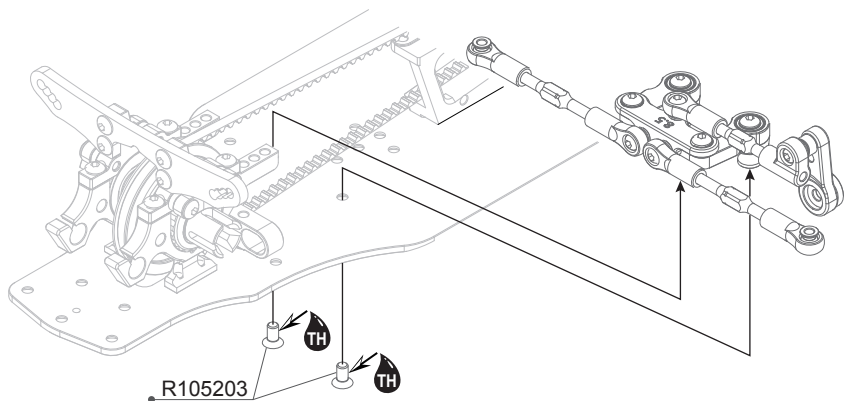
建議請將拉桿的缺口記號統一放置於左方，以便於調整前束角時方向會一致。

Option Parts (Not Included) / 改裝品 (未附於套件內)

R112044

18mm Alu Bell Crank-Black (2)

Can provide more precise handling.
鋁合金雙搖臂可使轉向更精確。



- R101060 Servo Horn Dual steering arm
- R10107A Ball Joint 4.9mm Open (6pcs)
- R10107D Steering Rod Ball joint
- R102017 3X5.5X3mm Alu Shims(4pcs)
- R102100 Alu 4.9mm Ball End Short(4pcs)
- R102101 Alu 4.9mm Ball End Med(4pcs)
- R102813 Turnbuckle 3x28mm ALU-7075 (2pcs)

- R102815 Turnbuckle 3x37mm ALU-7075 (2pcs)
- R103006 Steering Shaft(2pcs)
- R105104 3x6 Round Screw (10)
- R105203 3x6mm Flat Screw (10)
- R106010 5x8x2.5mm Ball Bearing (4pcs)
- R112040 Steering Plate 8.5
- R803016 Ball Head 4.9mm (4)



R105104
3x6 Round Screw (10)

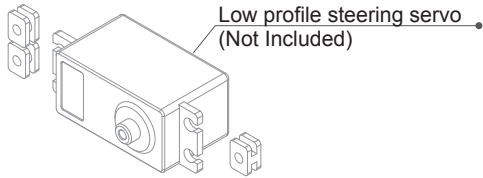


R105105
3x8 Round Screw (10)



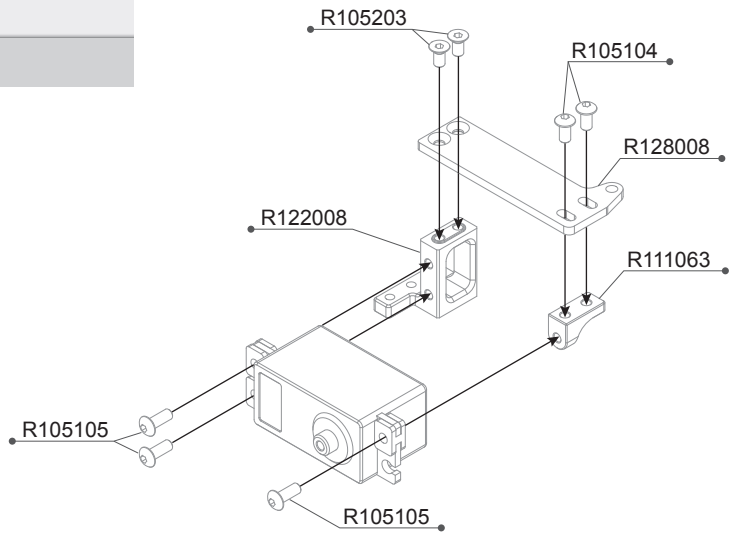
R105203
3x6mm Flat Screw (10)

1:1 Scale



NOTICE

It is recommended to use servo mount rubber.
建議安裝時使用伺服機防震膠套。



Option Parts (Not Included) / 改裝品 (未附於套件內)

R129007

R12 SRS Super Response Servo

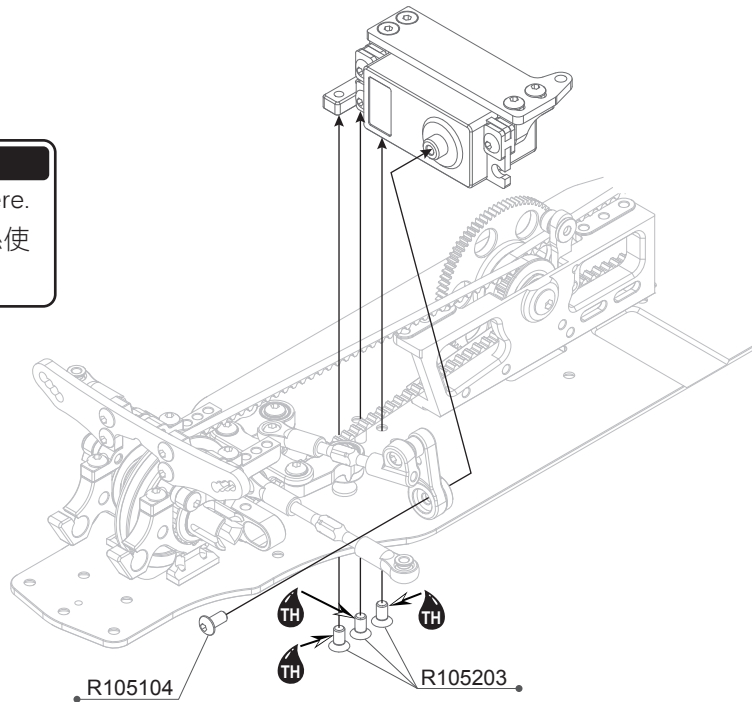
When using R129007 the steering rod length must change to 10mm

建議可選用R129007 R12專用高速伺服機，並將轉向連桿中間的長度修改成10mm。



NOTICE

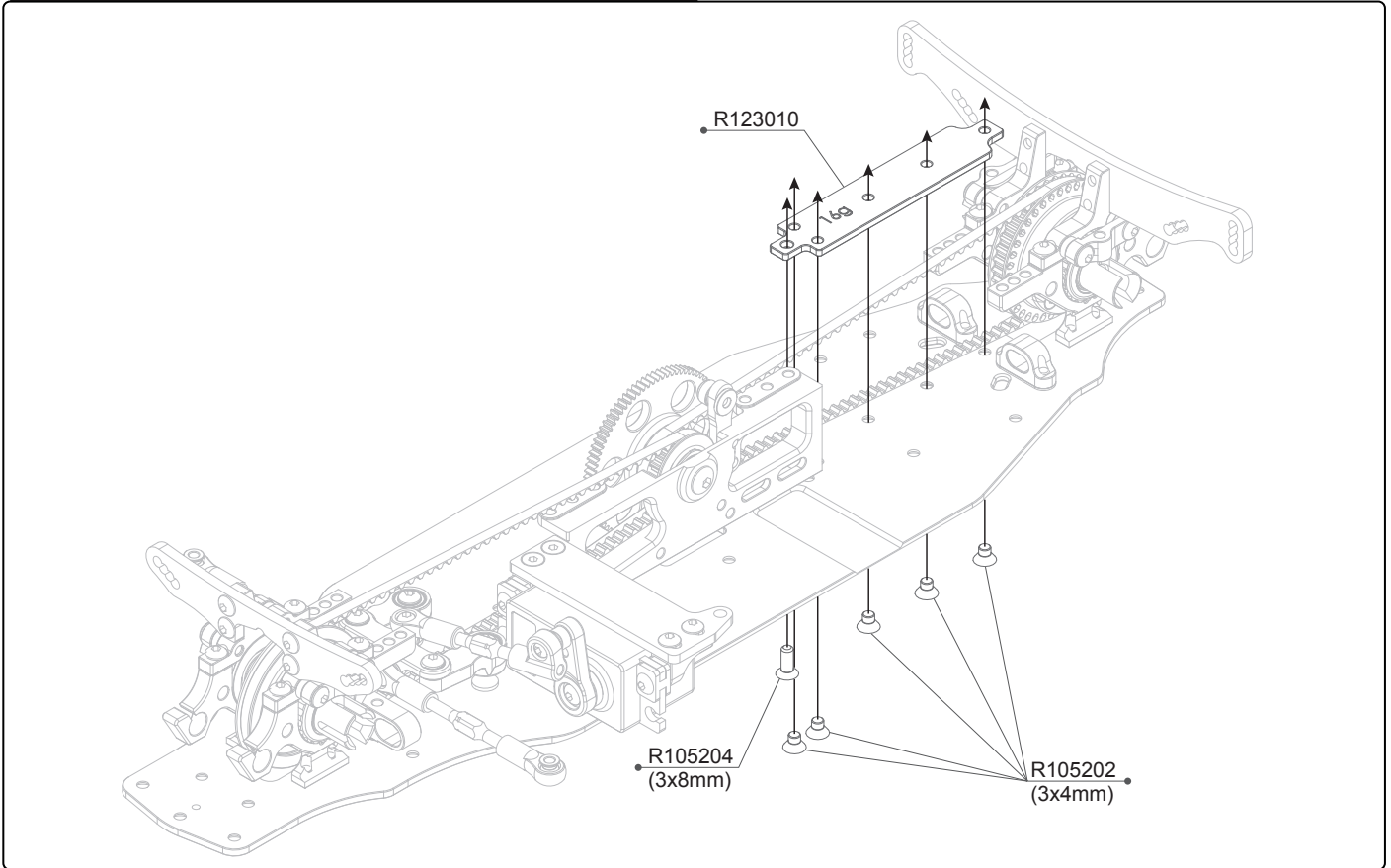
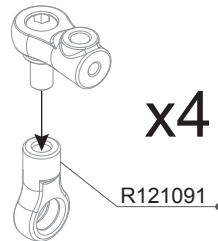
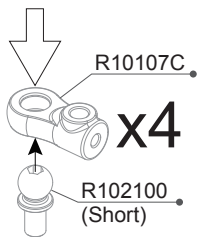
Apply thread locking compound here.
建議在安裝轉向伺服機時底部螺絲使用防鬆膠。



R105104 3x6 Round Screw (10)
R105105 3x8 Round Screw (10)
R105203 3x6mm Flat Screw (10)

R111063 R11 Servo Mount-Left
R122008 R12 Servo Mount-Alu
R128008 R12 Servo Mount Plate

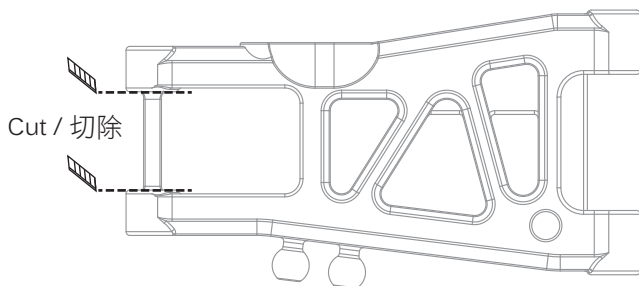
Option Parts (Not Included) / 改装品 (未附於套件內)


BAG 03


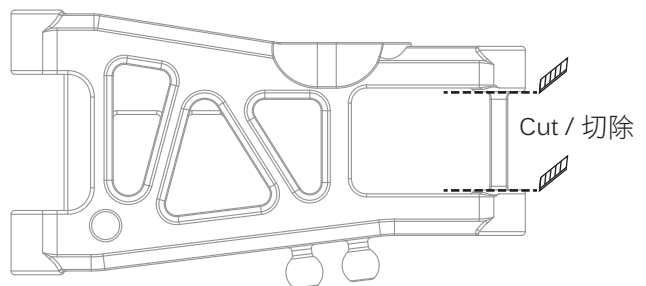
R10107C Anti-Roll Bar Joint (4pcs)
 R102100 Alu 4.9mm Ball End Short(4pcs)

R121091 Ball End 4.9mm Ex-Short (4)

NOTICE



R121014 R12 Low Arm-RR



R121013 R12 Low Arm-RL

R105203
3x6mm Flat Screw (10)

R105403
3x8mm Set Screw (10)

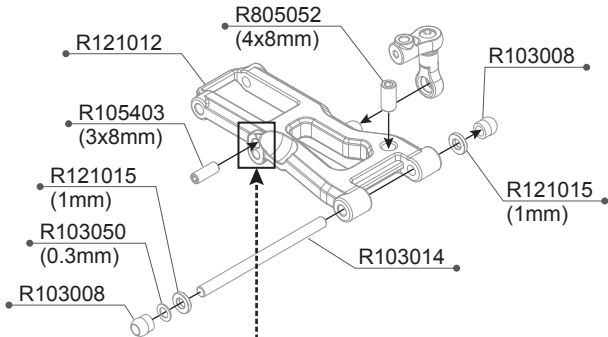
R805052
4x8mm Set Screw (10)

1:1 Scale

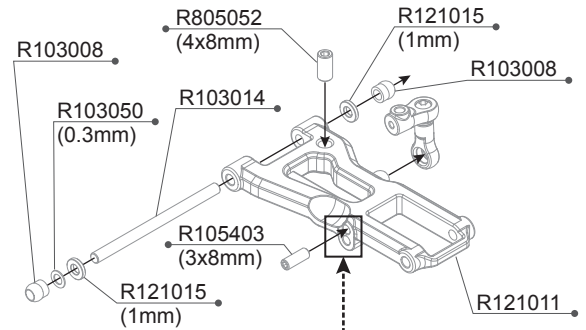
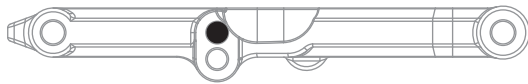
FRONT

Right Side (右邊)

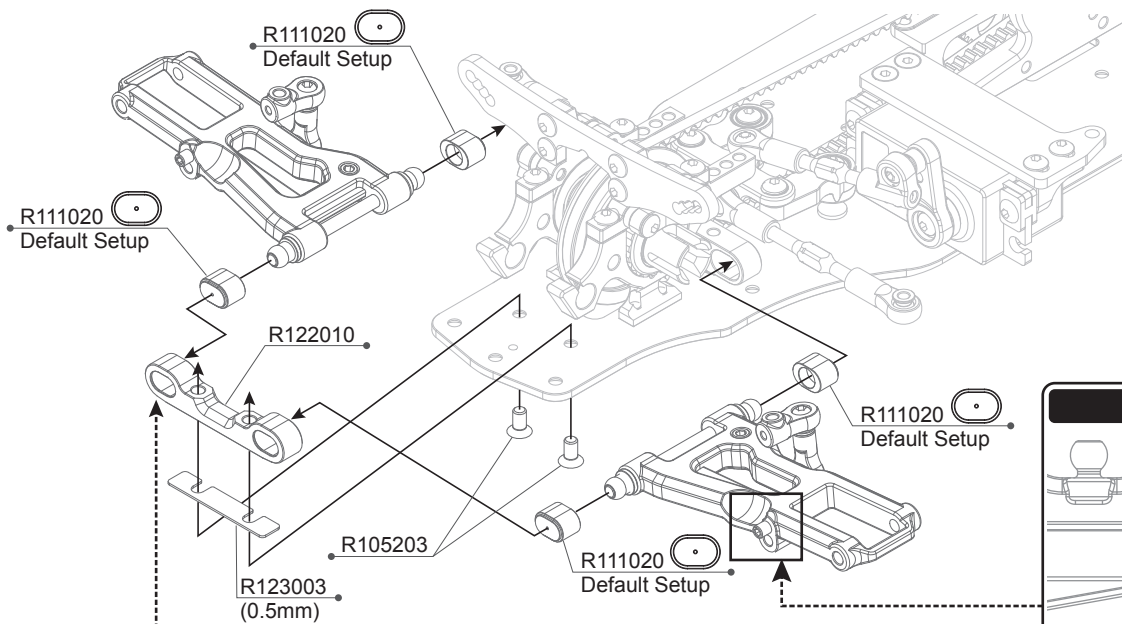
Left Side (左邊)



DEFAULT SETUP / 右前下擺臂預設孔位



DEFAULT SETUP / 左前下擺臂預設孔位



Option Parts (Not Included) / 改裝品 (未附於套件內)

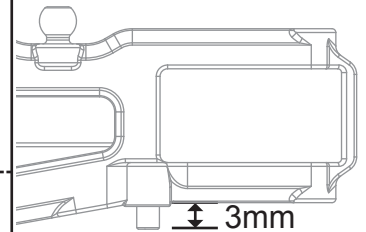
R123011

R12 Suspension Block -Brass FF(8.5g) / 銅製

To increase weight by 5.5g. / 可增加5.5公克的重量。

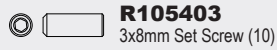


NOTICE



- R103008 Ball 5mm(4pcs)
- R103014 Pivot Pin Inner(2pcs)
- R103050 3x5x0.3mm Shims (10)
- R105203 3x6mm Flat Screw (10)
- R105403 3x8mm Set Screw (10)
- R111020 Suspension Insert #0~#+2

- R121011 R12 Low Arm-FL
- R121012 R12 Low Arm-FR
- R121015 Plastic Shims (1/2/3mm)
- R122010 R12 Suspension Block-FF
- R123003 R12 Roll Center Shims 0.5mm (4)
- R805052 4x8mm Set Screw (10)

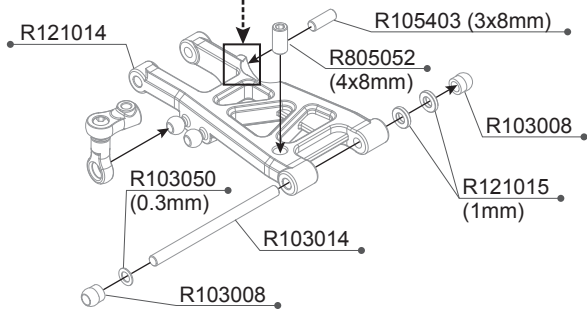
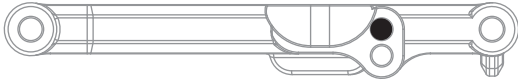


1:1 Scale

REAR

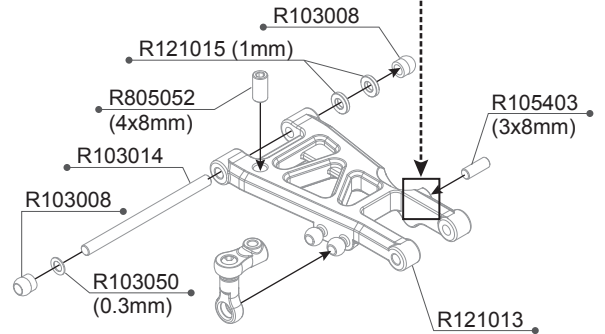
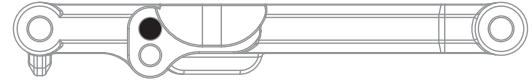
Right Side (右邊)

DEFAULT SETUP / 左前下擺臂預設孔位



Left Side (左邊)

DEFAULT SETUP / 右前下擺臂預設孔位

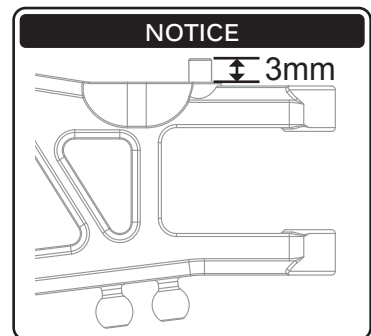
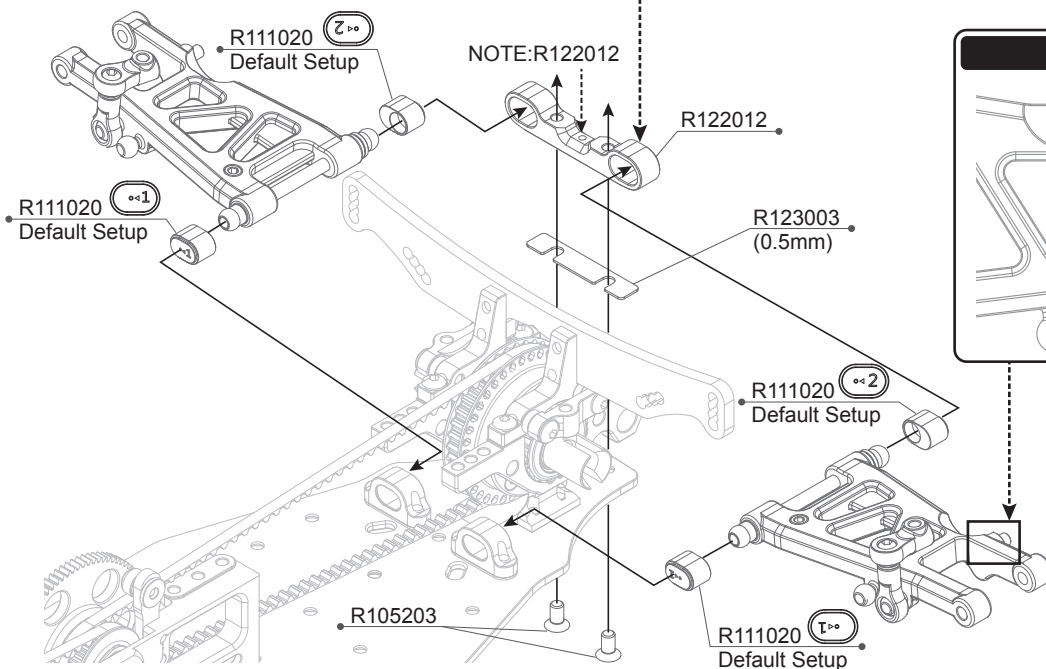


Option Parts (Not Included) / 改裝品 (未附於套件內)

R123013

R12 Suspension Block -Brass RR(8.5g) / 銅製

To increase weight by 5.5g. / 可增加5.5公克的重量。

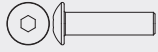


R103008 Ball 5mm(4pcs)
 R103014 Pivot Pin Inner(2pcs)
 R103050 3x5x0.3mm Shims (10)
 R105203 3x6mm Flat Screw (10)
 R105403 3x8mm Set Screw (10)
 R111020 Suspension Insert #0~#+2

R121013 R12 Low Arm-RL
 R121014 R12 Low Arm-RR
 R121015 Plastic Shims (1/2/3mm)
 R122012 R12 Suspension Block-RR
 R123003 R12 Roll Center Shims 0.5mm (4)
 R805052 4x8mm Set Screw (10)

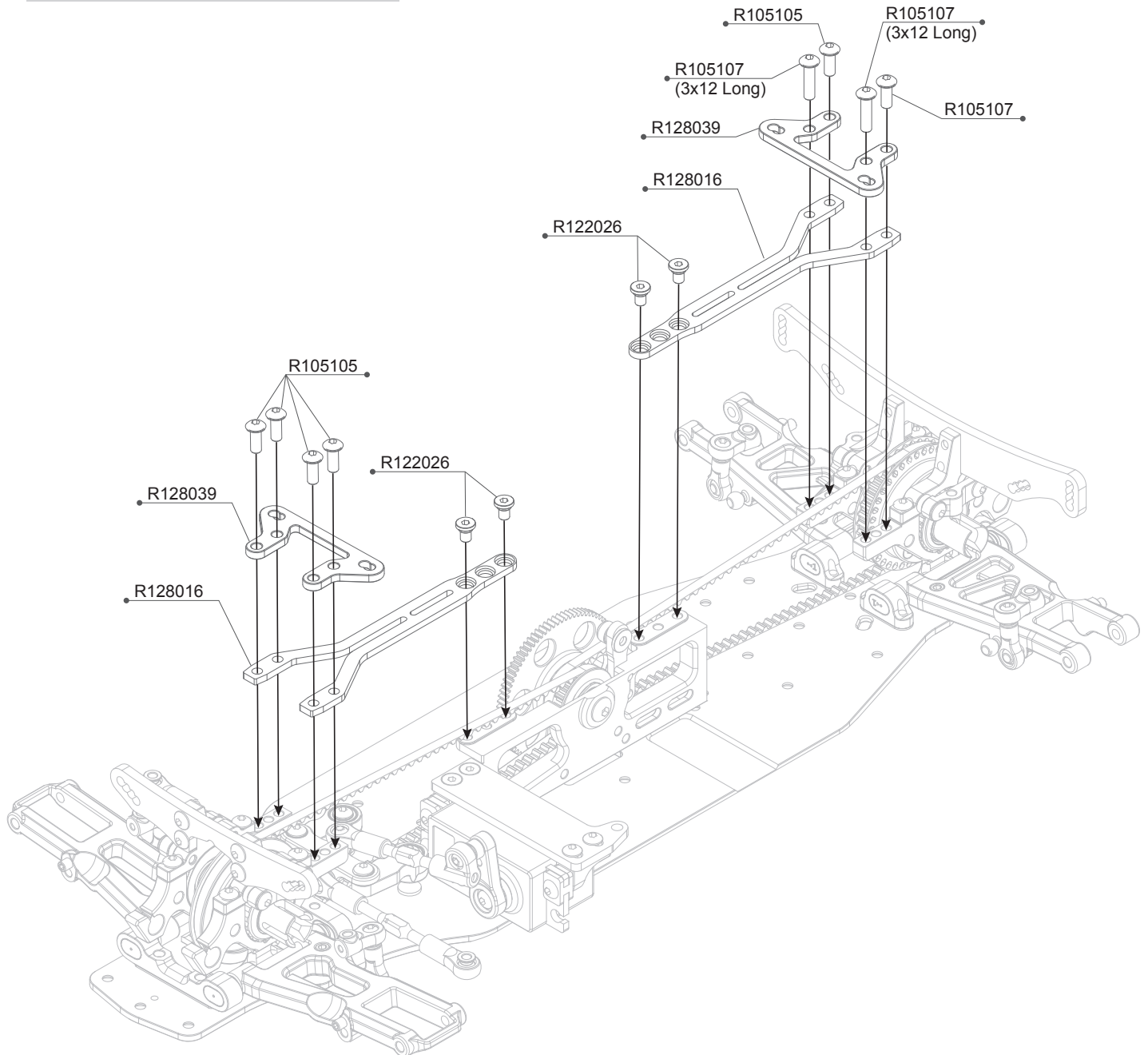


R105105
3x8 Round Screw (10)



R105107
3x12 Round Screw (10)

1:1 Scale












R105105 3x8 Round Screw (10)
 R105107 3x12 Round Screw (10)
 R122026 R12 Upper Deck Screw-Titanium (3)

R128016 R12 Upper Deck-Narrow
 R128039 R12.1 Upper Arm Base

R12.1 BAG 03 PARTS LIST

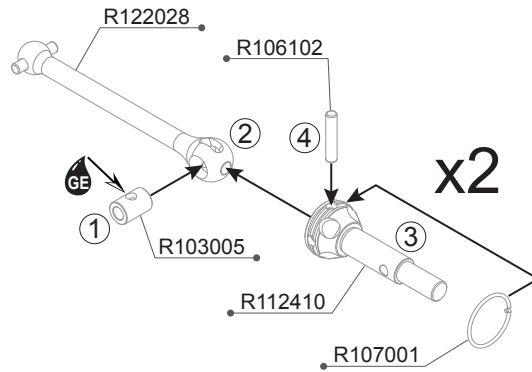
R101060	Servo Horn Dual steering arm	R111020	Suspension Insert #0~#+2
R10107A	Ball Joint 4.9mm Open (6pcs)	R111063	R11 Servo Mount-Left
R10107C	Anti-Roll Bar Joint (4pcs)	R112040	Steering Plate 8.5
R10107D	Steering Rod Ball joint	R121011	R12 Low Arm-FL
R102017	3X5.5X3mm Alu Shims(4pcs)	R121012	R12 Low Arm-FR
R102100	Alu 4.9mm Ball End Short(4pcs)	R121013	R12 Low Arm-RL
R102101	Alu 4.9mm Ball End Med(4pcs)	R121014	R12 Low Arm-RR
R102813	Turnbuckle 3x28mm ALU-7075 (2pcs)	R121015	R12 Plastic Shims (1/2/3mm)
R102815	Turnbuckle 3x37mm ALU-7075 (2pcs)	R121091	Ball End 4.9mm Ex-Short (4)
R103006	Steering Shaft(2pcs)	R122008	R12 Servo Mount-Alu
R103008	Ball 5mm(4pcs)	R122010	R12 Suspension Block-FF
R103014	Pivot Pin Inner(2pcs)	R122012	R12 Suspension Block-RR
R103050	3x5x0.3mm Shims (10)	R122026	R12 Upper Deck Screw-Titanium (3)
R105104	3x6 Round Screw (10)	R123003	R12 Roll Center Shims 0.5mm (4)
R105105	3x8 Round Screw (10)	R128008	R12 Servo Mount Plate
R105107	3x12 Round Screw (10)	R128016	R12 Upper Deck-Narrow
R105203	3x6mm Flat Screw (10)	R128039	R12.1 Upper Arm Base
R105403	3x8mm Set Screw (10)	R803016	Ball Head 4.9mm (4)
R106010	5x8x2.5mm Ball Bearing (4pcs)	R805052	4x8mm Set Screw (10)

1:1 SCALE

	R105203 3x6mm Flat Screw (10)		R102017 3x5.5x3mm Alu Shims (4)
	R105104 3x6 Round Screw (10)		R103050 3x5x0.3mm Shims (10)
	R105105 3x8 Round Screw (10)		R106010 5x8x2.5mm Ball Bearing (4)
	R105107 3x12 Round Screw (10)		
	R105403 3x8mm Set Screw (10)		
	R805052 4x8mm Set Screw (10)		

- R105105**
3x8 Round Screw (10)
- R106101**
Ø2x9.8 Pin (10)
- R106102**
Ø2x10 Pin (10)
- R106012**
Low Friction Ball Bearing
5x10x4 (4)
- R805299**
2.5x6mm Cap Screw (10)

1:1 Scale

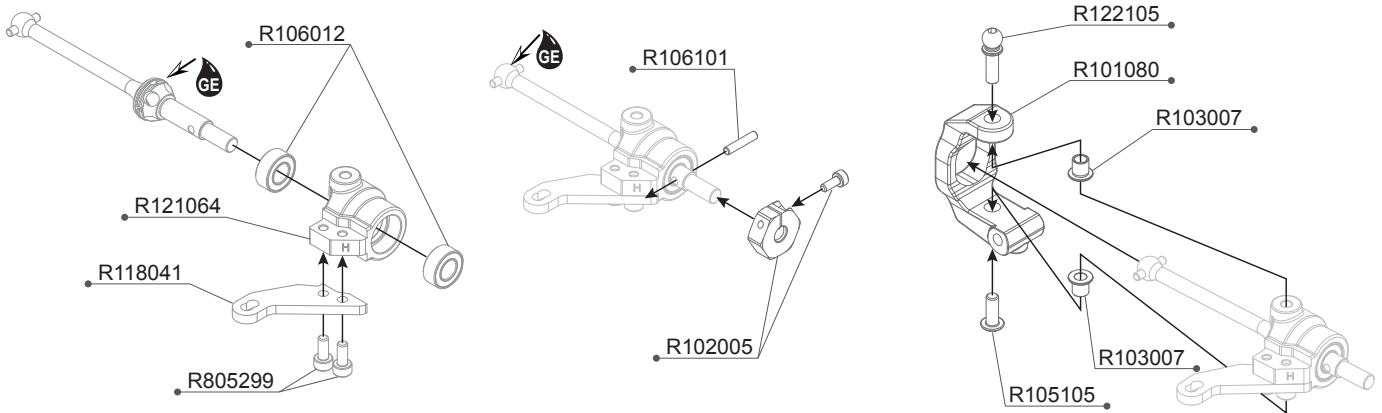


NOTICE

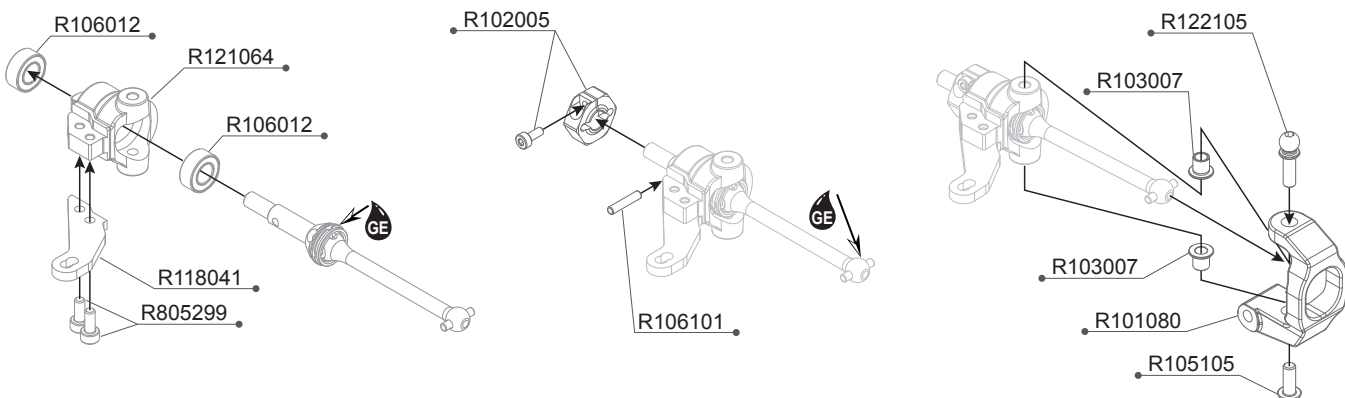
Rxxxxxx

Rear Aluminum 44mm CVD **x2**

Rear Steering Block L / 後方左邊轉向組合說明




Rear Steering Block R / 後方右邊轉向組合說明

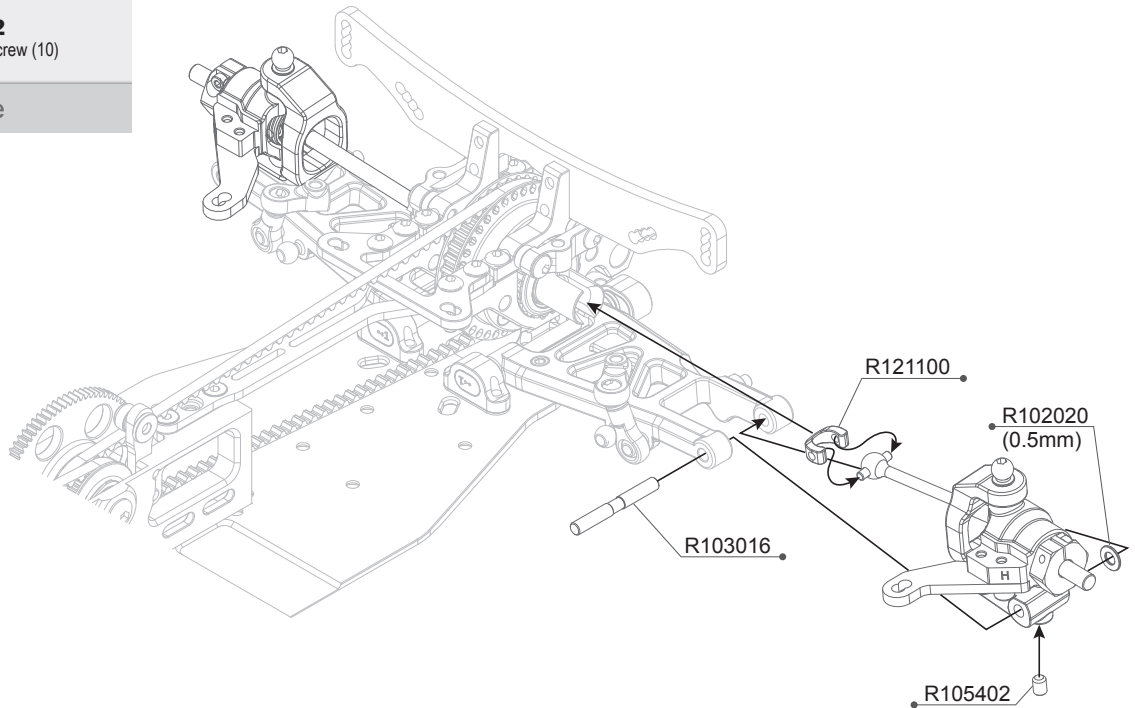


- | | |
|---|---|
| <ul style="list-style-type: none"> R101080 C-Hub 4 Right + Left R102005 Hex Wheel Hub Alu(2pcs) R103005 CVD Insert(2pcs) R103007 Steering Block Bushing(4pcs) R105105 3x8 Round Screw (10) R106012 Low Friction Ball Bearing 5x10x4 (4pcs) R106101 2x9.8mm Pin (10pcs) R106102 2x10mm Pin (10pcs) | <ul style="list-style-type: none"> R107001 CVD G-Clip(8pcs) R112410 Wheel Axle -Alu (2) R118041 R11 Steering Plate-Std (2) R121064 R12 Steering Block-Hard R122028 CVD-Alu 44mm R122105 Titanium 4.9mm Ball End (2) R805299 2.5x6mm Cap Screw (10) |
|---|---|

 **R102020**
3x6x0.5mm Alu Shims (8)

 **R105402**
3x4mm Set Screw (10)

1:1 Scale

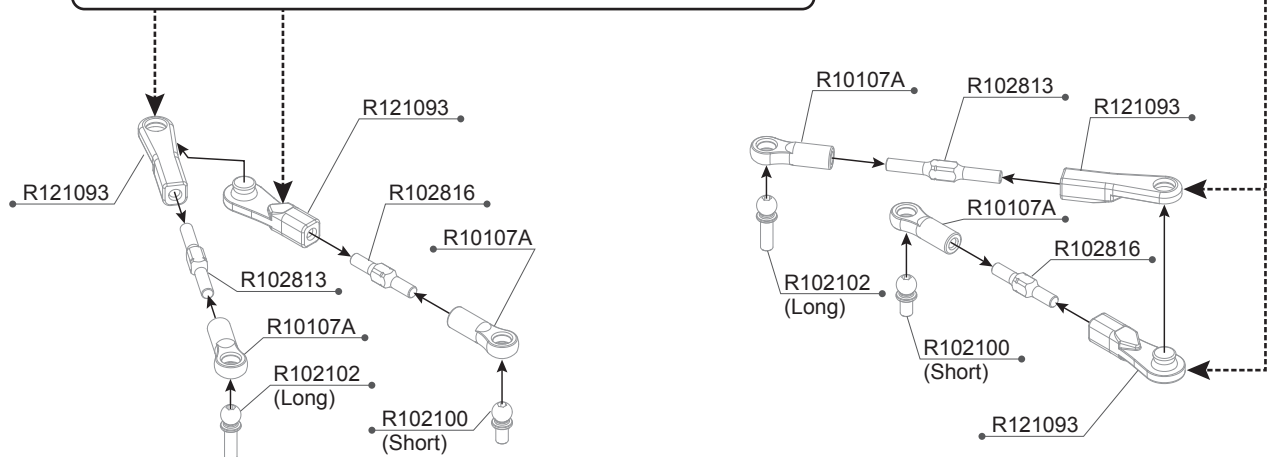


R102020 3x6x0.5mm Alu Shims(8pcs)
R103016 Pivot Pin Rear-Out(2pcs)

R105402 3x4mm Set Screw (10)
R121100 C Cap V2 (16pcs)

NOTICE

Press top and bottom ball ends together with even pressure.
請使手夾鉗上下平均壓入來組合此球頭。



R10107A Ball Joint 4.9mm Open (6pcs)
R102100 Alu 4.9mm Ball End Short(4pcs)
R102102 Alu 4.9mm Ball End Long(4pcs)

R102813 Turnbuckle 3x28mm ALU-7075 (2pcs)
R102816 Turnbuckle 3x20mm ALU-7075 (2pcs)
R121093 Upper A-Arm (2)



R102015
3x5.5x2mm Alu Shims (8)

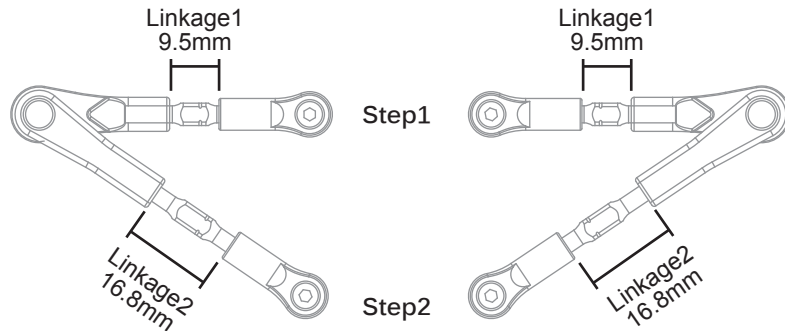


R115001
3mm Nylon Nut-Black Alu (4)

1:1 Scale

NOTICE

Step1: Release linkage 2 and using linkage 1 to adjust camber.
 Step2: With camber to the desired angle, adjust linkage 2 so upper arm moves freely.
 步驟1: 先放開2號連桿，並使用1號連桿來調整傾角。
 步驟2: 當傾角調整後再調整2號連桿，請注意不要使2號連桿必需是順暢並可提供C座良好的支撐。



Short Ball Head / 短球頭

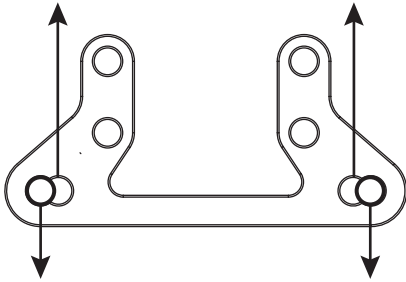
Long Ball Head / 長球頭

R102015 (2mm)

R115001

NOTICE

Setting when using no shims (0mm)
 當不使用任何墊片時(0mm)



Default setup (With 2mm shims)
 預設的位置(使用2mm的墊片時)

R102015 3x5.5x2mm Alu Shims(8pcs)

R115001 3mm Nylon Nut-Black Alu (4)

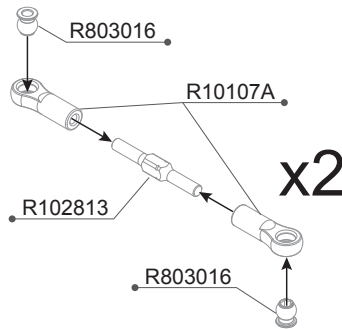


R102015
3x5.5x2mm Alu Shims (8)



R105104
3x6 Round Screw (10)

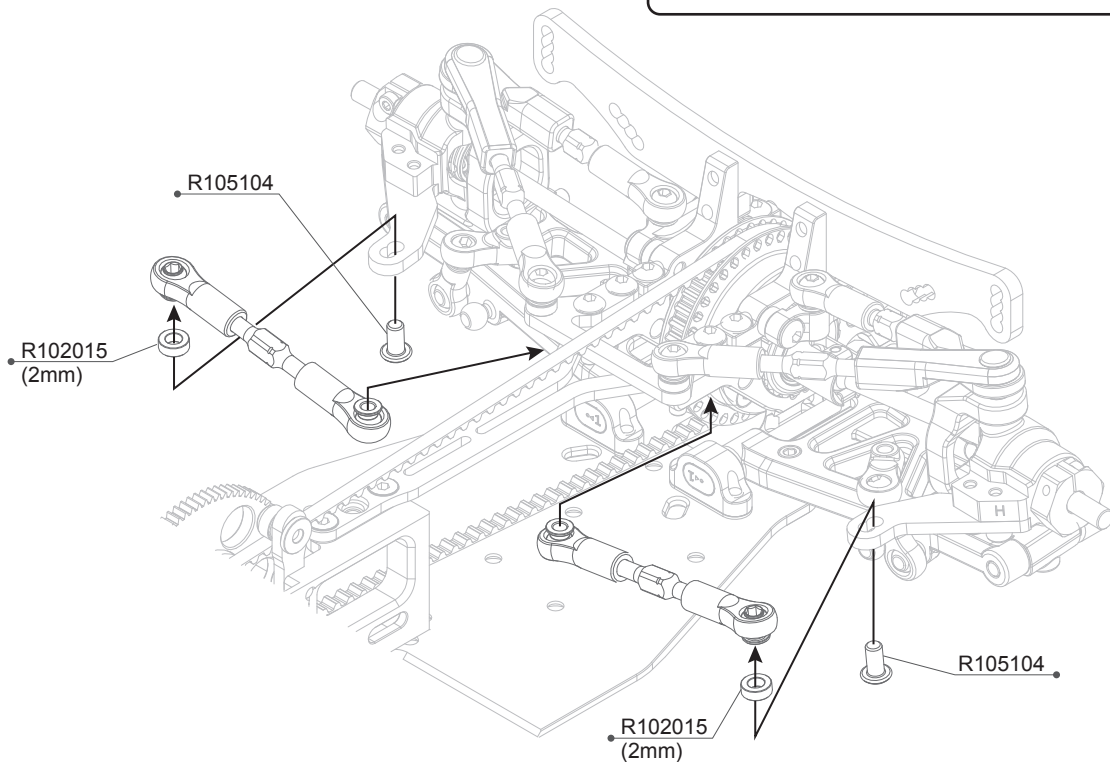
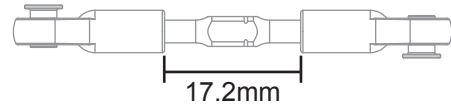
1:1 Scale



ATS linkage length / ATS 拉桿長度

Set the ATS linkage length to 17.2mm. With 2mm shims on the ATS steering block, this will provide 3 degree rear toe at normal ride height.

ATS連桿長度預設為17.2mm，此時後前束角為3度。



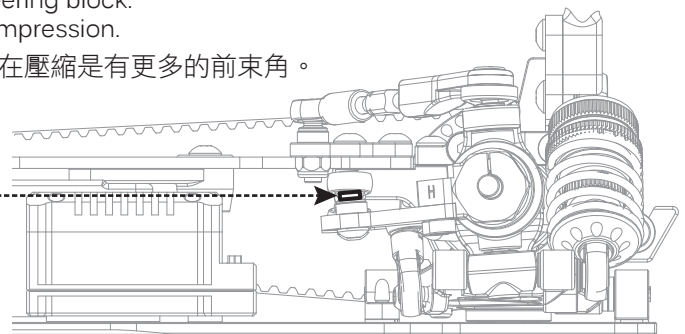
NOTICE

ATS Setup Instruction / ATS 設定說明

The default setup uses 2mm shims thickness on the ATS steering block. More shims will result in greater toe angle change under compression.






預設的ATS轉向墊片是2mm，在此處增加越多墊片會增加在壓縮是有更多的前束角。

ATS Shim Thickness ATS墊片厚度	Toe Angle Increase 後前束角變化量
2mm	0.5°
4mm	1.0°
6mm	1.5°

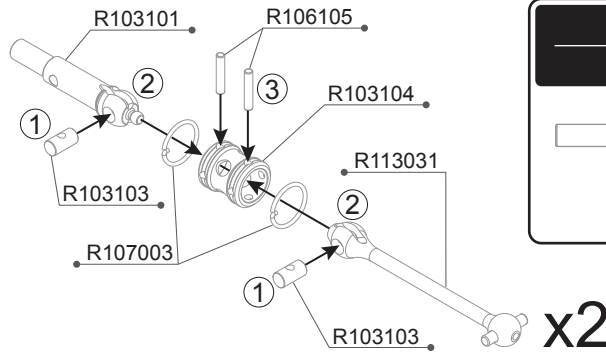


R10107A Ball Joint 4.9mm Open (6pcs)
R102015 3x5.5x2mm Alu Shims(8pcs)
R102813 Turnbuckle 3x28mm ALU-7075 (2pcs)

R105104 3x6 Round Screw (10)
R803016 Ball Head 4.9mm (4)


-  **R105105**
3x8 Round Screw (10)
-  **R106101**
Ø2x9.8 Pin (10)
-  **R106105**
Ø1.5x8 Pin (10)
-  **R106012**
Low Friction Ball Bearing
5x10x4 (4)
-  **R805299**
2.5x6mm Cap Screw (10)

1:1 Scale



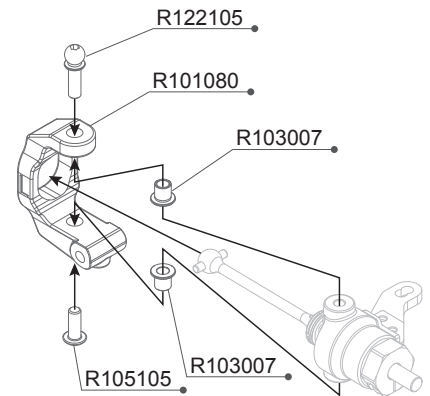
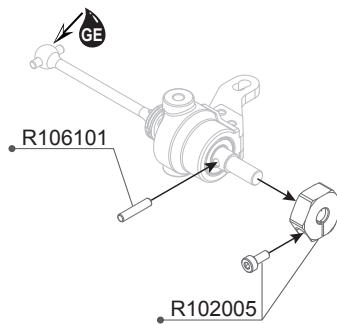
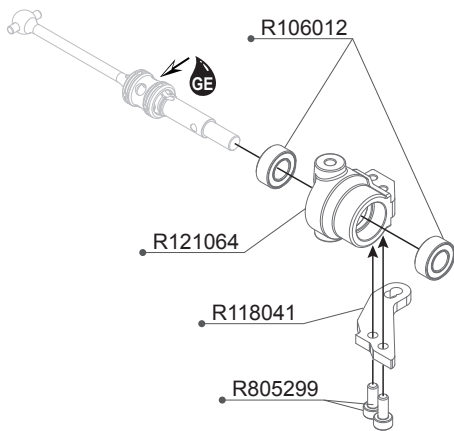
NOTICE

R109009

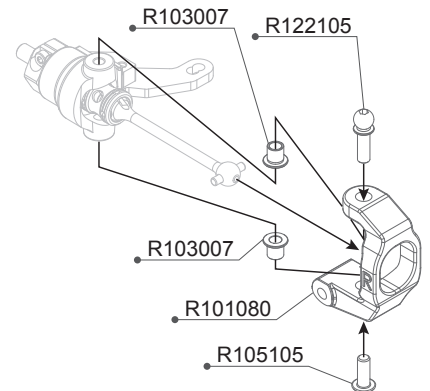
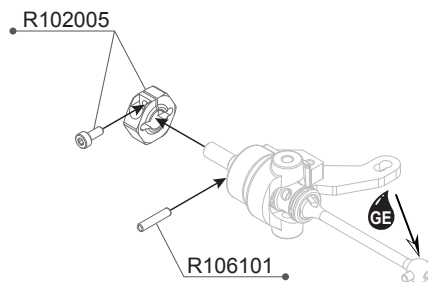
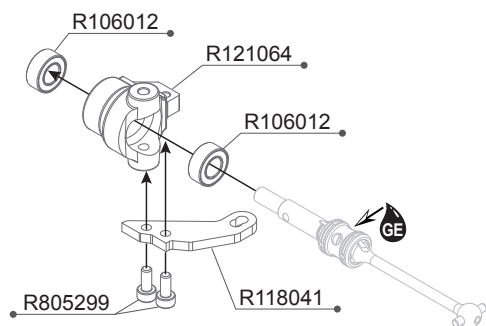


Front 40 DJ CVD **x2**

Front Steering Block L / 前方左邊轉向組合說明



Front Steering Block R / 前方右邊轉向組合說明



- R101080 C-Hub 4 Right + Left
- R102005 Hex Wheel Hub Alu(2pcs)
- R103007 Steering Block Bushing(4pcs)
- R103101 D.J CVD Wheel Shaft (1pcs)
- R103103 D.J CVD Insert(2pcs)
- R103104 D.J CVD Joint (1pcs)
- R105105 3x8 Round Screw (10)
- R106012 Low Friction Ball Bearing 5x10x4 (4pcs)

- R106101 2x9.8mm Pin (10pcs)
- R106105 1.5x8mm Pin (10pcs)
- R107003 D.J CVD G-Clip(8pcs)
- R113031 D.J CVD Shaft +1 (40mm) 2pcs
- R118041 R11 Steering Plate-Std (2)
- R121064 R12 Steering Block-Hard
- R122105 Titanium 4.9mm Ball End (2)
- R805299 2.5x6mm Cap Screw (10)



R102015
3x5.5x2mm Alu Shims (8)



R105104
3x6 Round Screw (10)



R105402
3x4mm Set Screw (10)

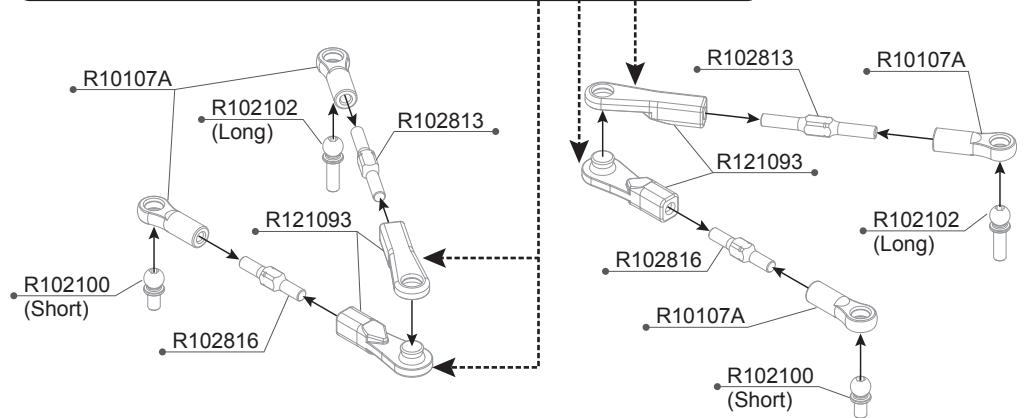


R115001
3mm Nylon Nut-Black Alu (4)

1:1 Scale

NOTICE

Press top and bottom ball ends together with even pressure.
請使手夾鉗上下平均壓入來組合此球頭。



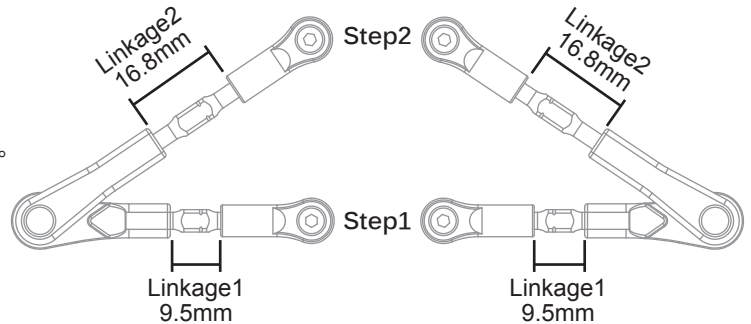
NOTICE

Step1: Release linkage 2 and using linkage 1 to adjust camber.

Step2: With camber to the desired angle, adjust linkage 2 so upper arm moves freely.

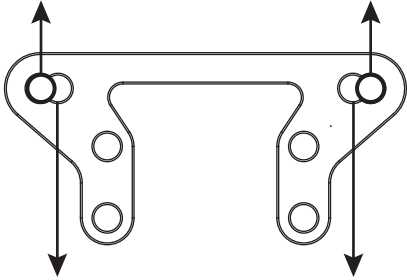
步驟1: 先放開2號連桿，並使用1號連桿來調整傾角。

步驟2: 當傾角調整後再調整2號連桿，請注意不要使2號連桿必需是順暢並可提供C座良好的支撐。

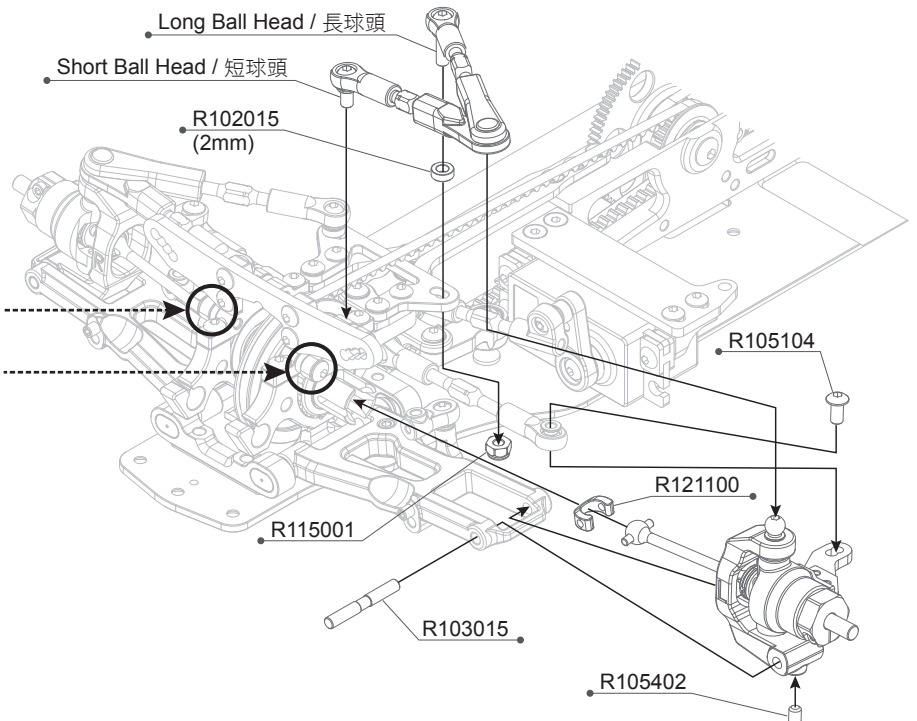


NOTICE

Default setup (With 2mm shims)
預設的位置(使用2mm的墊片時)



Setting when using no shims (0mm)
當不使用任何墊片時(0mm)



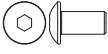







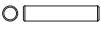
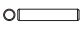

R10107A Ball Joint 4.9mm Open (6pcs)
R102015 3x5.5x2mm Alu Shims(8pcs)
R102100 Alu 4.9mm Ball End Short(4pcs)
R102102 Alu 4.9mm Ball End Long(4pcs)
R102813 Turnbuckle 3x28mm ALU-7075 (2pcs)
R102816 Turnbuckle 3x20mm ALU-7075 (2pcs)

R103015 Pivot Pin Front-Out(2pcs)
R105104 3x6 Round Screw (10)
R105402 3x4mm Set Screw (10)
R115001 3mm Nylon Nut-Black Alu (4)
R121093 Upper A-Arm (2)
R121100 C Cap V2 (16pcs)

R12.1 BAG 04 PARTS LIST

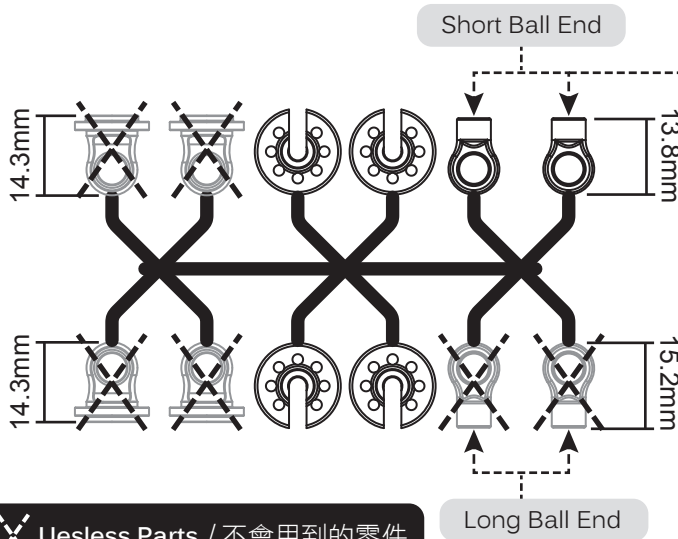
R10107A	Ball Joint 4.9mm Open (6pcs)	R105402	3x4mm Set Screw (10)
R101080	C-Hub 4 Right + Left	R106012	Low Friction Ball Bearing 5x10x4 (4pcs)
R102005	Hex Wheel Hub Alu(2pcs)	R106101	2x9.8mm Pin (10pcs)
R102015	3x5.5x2mm Alu Shims(8pcs)	R106102	2x10mm Pin (10pcs)
R102020	3x6x0.5mm Alu Shims(8pcs)	R106105	1.5x8mm Pin (10pcs)
R102100	Alu 4.9mm Ball End Short(4pcs)	R107001	CVD G-Clip(8pcs)
R102102	Alu 4.9mm Ball End Long(4pcs)	R107003	D.J CVD G-Clip(8pcs)
R102813	Turnbuckle 3x28mm ALU-7075 (2pcs)	R113031	D.J CVD Shaft +1 (40mm) 2pcs
R102816	Turnbuckle 3x20mm ALU-7075 (2pcs)	R112410	Wheel Axle -Alu (2)
R103005	CVD Insert(2pcs)	R115001	3mm Nylon Nut-Black Alu (4)
R103007	Steering Block Bushing(4pcs)	R118041	R11 Steering Plate-Std (2)
R103015	Pivot Pin Front-Out(2pcs)	R121064	R12 Steering Block-Hard
R103016	Pivot Pin Rear-Out(2pcs)	R121093	Upper A-Arm (2)
R103101	D.J CVD Wheel Shaft (1pcs)	R121100	C Cap V2 (16pcs)
R103103	D.J CVD Insert(2pcs)	R122028	CVD-Alu 44mm
R103104	D.J CVD Joint (1pcs)	R122105	Titanium 4.9mm Ball End (2)
R105104	3x6 Round Screw (10)	R803016	Ball Head 4.9mm (4)
R105105	3x8 Round Screw (10)	R805299	2.5x6mm Cap Screw (10)

1:1 SCALE

	R105104 3x6 Round Screw (10)		R102015 3x5.5x2mm Alu Shims (8)
	R105105 3x8 Round Screw (10)		R102020 3x6x0.5mm Alu Shims (8)
	R105402 3x4mm Set Screw (10)		R106012 Low Friction Ball Bearing 5x10x4
	R106101 Ø2x9.8 Pin (10)		R115001 3mm Nylon Nut-Black Alu (4)
	R106102 Ø2x10 Pin (10)		
	R106105 Ø1.5x8 Pin (10)		
	R805299 2.5x6mm Cap Screw (10)		

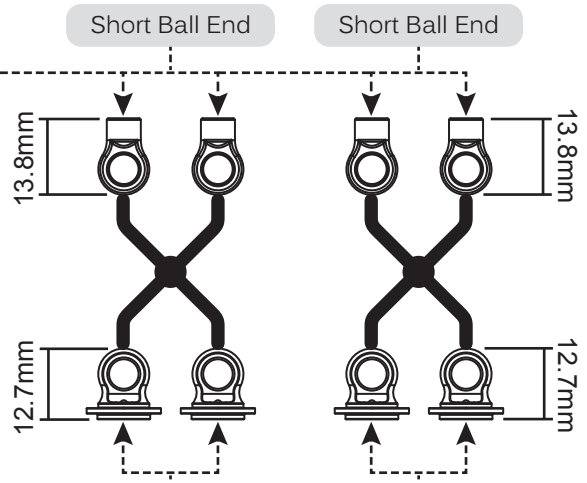
NOTICE

R101130 Shock Ball Joint Set Big Bore



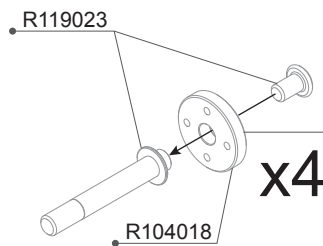
X Useless Parts / 不會用到的零件

R111050 Shock Ball End Set-Ultra Short (2)



Using only R111050 ultra short upper ball end
只使用R111050超短的避震器上蓋

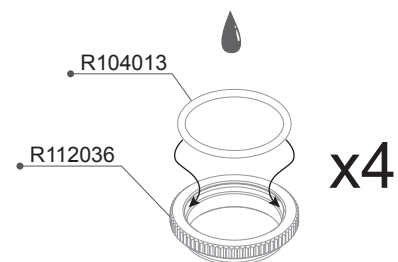
Option Parts (Not Included) / 改裝品 (未附於套件內)



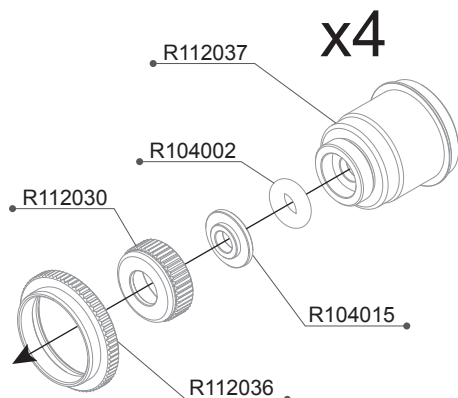
R114010 PDS Piston (2)

Using only together with R112038.
必須與R112038搭配使用。

Apply shock oil before assembly
請塗抹少許的避震油於O型環上

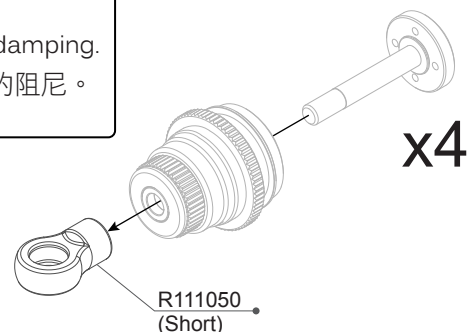


Option Parts (Not Included) / 改裝品 (未附於套件內)



R112038 PDS Cylinder-Ultra Short (2)

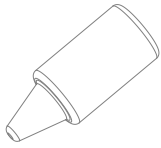
The PDS will provide progressive damping.
使用PDS可以使避震器有漸進式的阻尼。



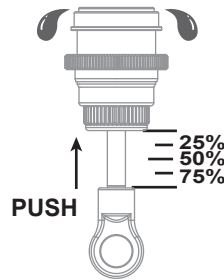
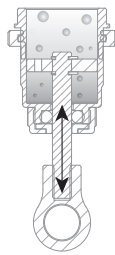
- R104002 O'ring 3x2(4pcs)
- R104013 O'ring 13x1 (2pcs)
- R104015 Shock Shaft Shim (4pcs)
- R104018 Shock Piston Big Bore 1.1mm x4 (4pcs)
- R111050 Shock Ball End Set-Ultra Short (2)

- R112030 R11 Shock Low Cap-Black (2)
- R112036 Shock Adj Nut-Ultra Short (2)
- R112037 Shock Body Ultra Short-MC (2)
- R119023 Short Shock Shaft -Screw Type (4)

Silicone Oil #500



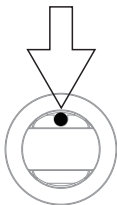
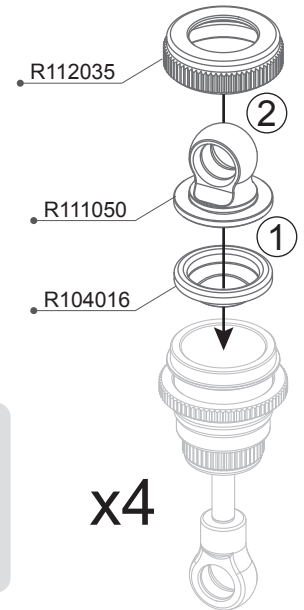
Move the shaft up and down to let the air escape from the oil
上下移動活塞來將空氣排出。



Fill the shock oil to the top of the shock body
將矽油填滿整個桶身。

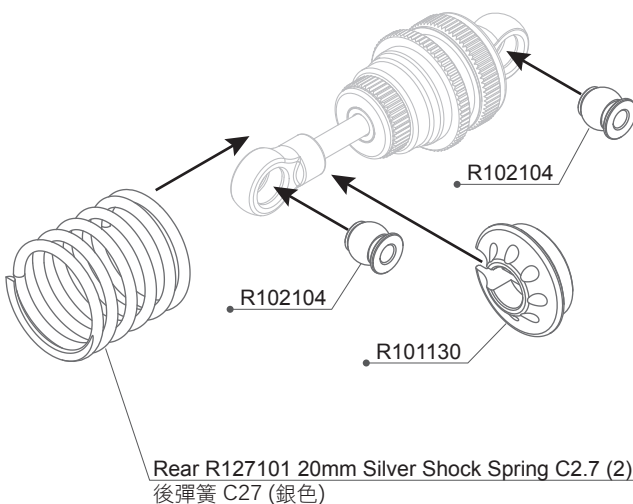
To adjust the rebound amount of the shock, push the shock shaft in to the required level to remove excess oil during assembly.

將活塞回推到設定的回彈位置後，再將氣室放入並將多餘的油排除。



Drill the shock cap here to help provide zero rebound and softer dampening (optional setting).

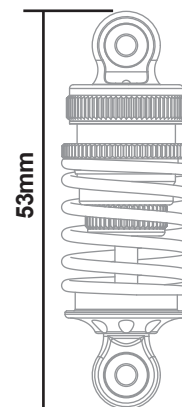
上球頭有預留鑽孔的記號，可選擇是否打通，在鑽孔打通後可減少氣室回彈的力道。



Rear R127101 20mm Silver Shock Spring C2.7 (2)
後彈簧 C27 (銀色)

NOTICE

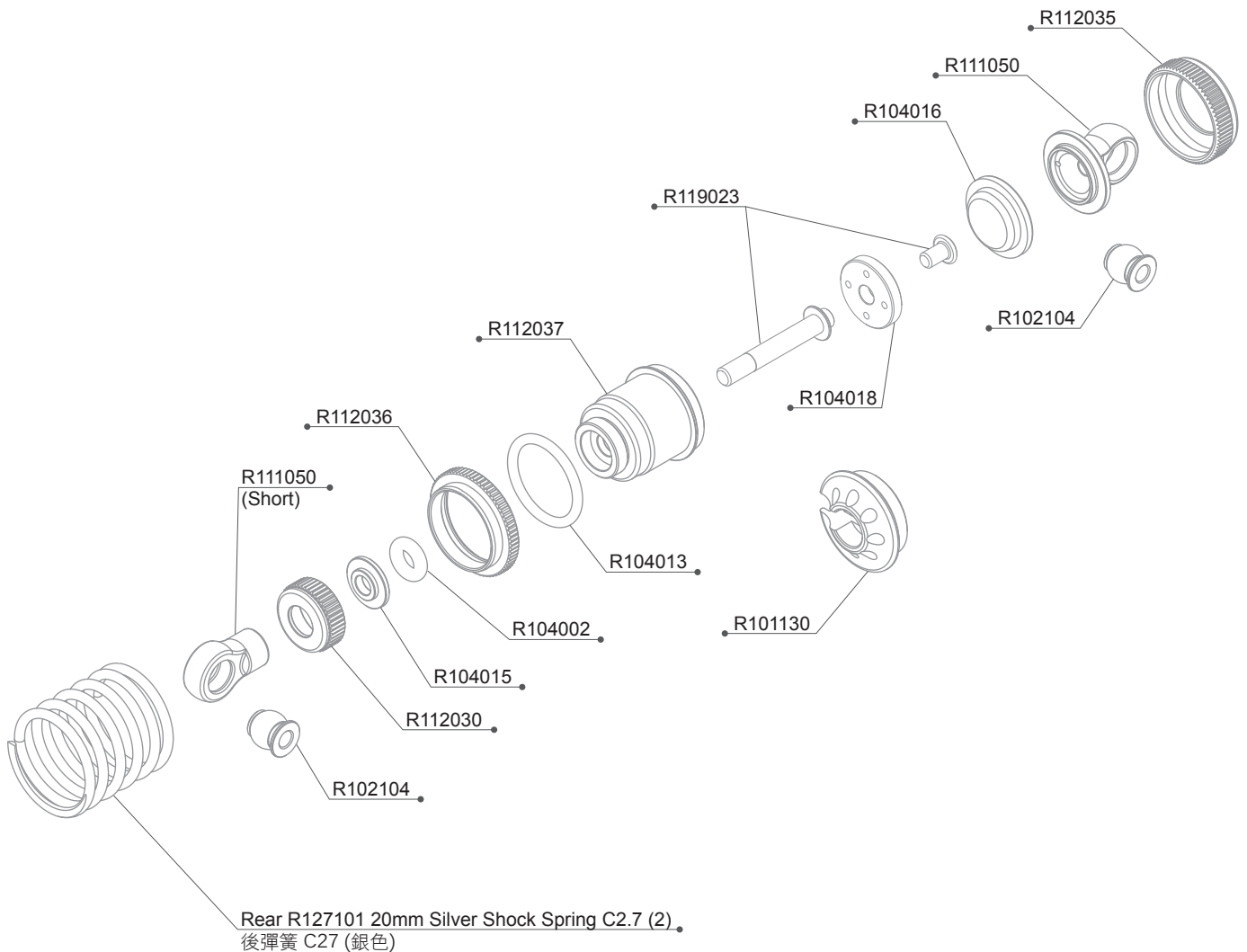
Shock Length
避震器長度



R101130 Shock Ball Joint Set Big Bore
R102104 5.8mm Ball end Short type Alu (4pcs)
R104016 Shock Membrane Big Bore (4pcs)


R111050 Shock Ball End Set-Ultra Short (2)
R112035 Shock Cap-Ultra Short (2)
R127101 20mm Silver Shock Spring C=2.7(2)

R12.1 BAG 05 PARTS EXPLODED VIEW



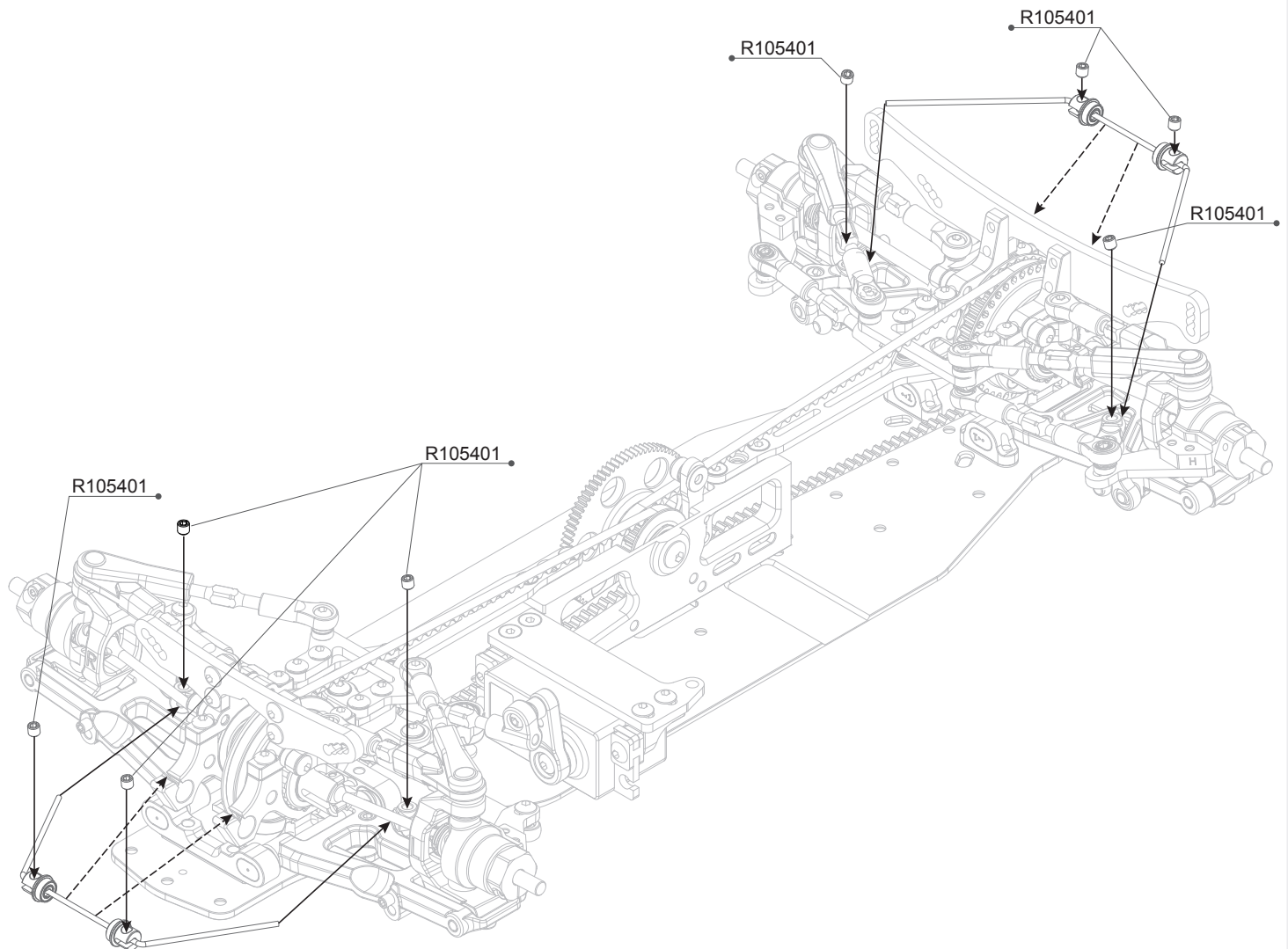
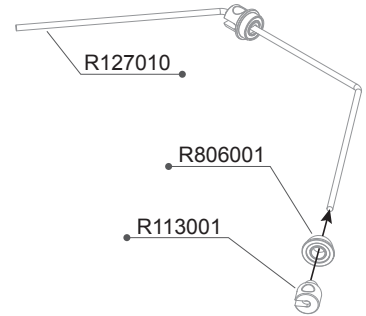
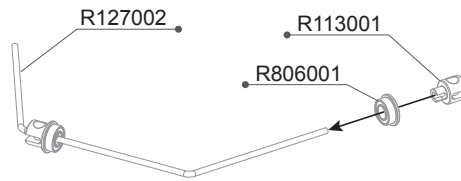
R12.1 BAG 05 PARTS LIST

R101130	Shock Ball Joint Set Big Bore	R111050	Shock Ball End Set-Ultra Short (2)
R102104	5.8mm Ball end Short type Alu (4pcs)	R112030	R11 Shock Low Cap-Black (2)
R104002	O'ring 3x2(4pcs)	R112035	Shock Cap-Ultra Short (2)
R104013	O'ring 13x1 (2pcs)	R112036	Shock Adj Nut-Ultra Short (2)
R104015	Shock Shaft Shim (4pcs)	R112037	Shock Body Ultra Short-MC (2)
R104016	Shock Membrane Big Bore (4pcs)	R119023	Short Shock Shaft -Screw Type (4)
R104018	Shock Piston Big Bore 1.1mm x4 (4pcs)	R127101	20mm Silver Shock Spring C=2.7(2)

 **R105401**
3x3mm Set Screw (10)

 **R806001**
3x6x2.5mm
Flange Ball Bearing (2)

1:1 Scale



R105401 3x3mm Set Screw (10)
R113001 Anti-Roll Bar Holder (2)
R127002 R12 Front Anti-Roll Bar 1.3mm

R127010 R12 Rear Anti-Roll Bar 1.3mm
R806001 3x6x2.5 Flange Ball Bearing (2)



R105204
3x8mm Flat Screw (10)

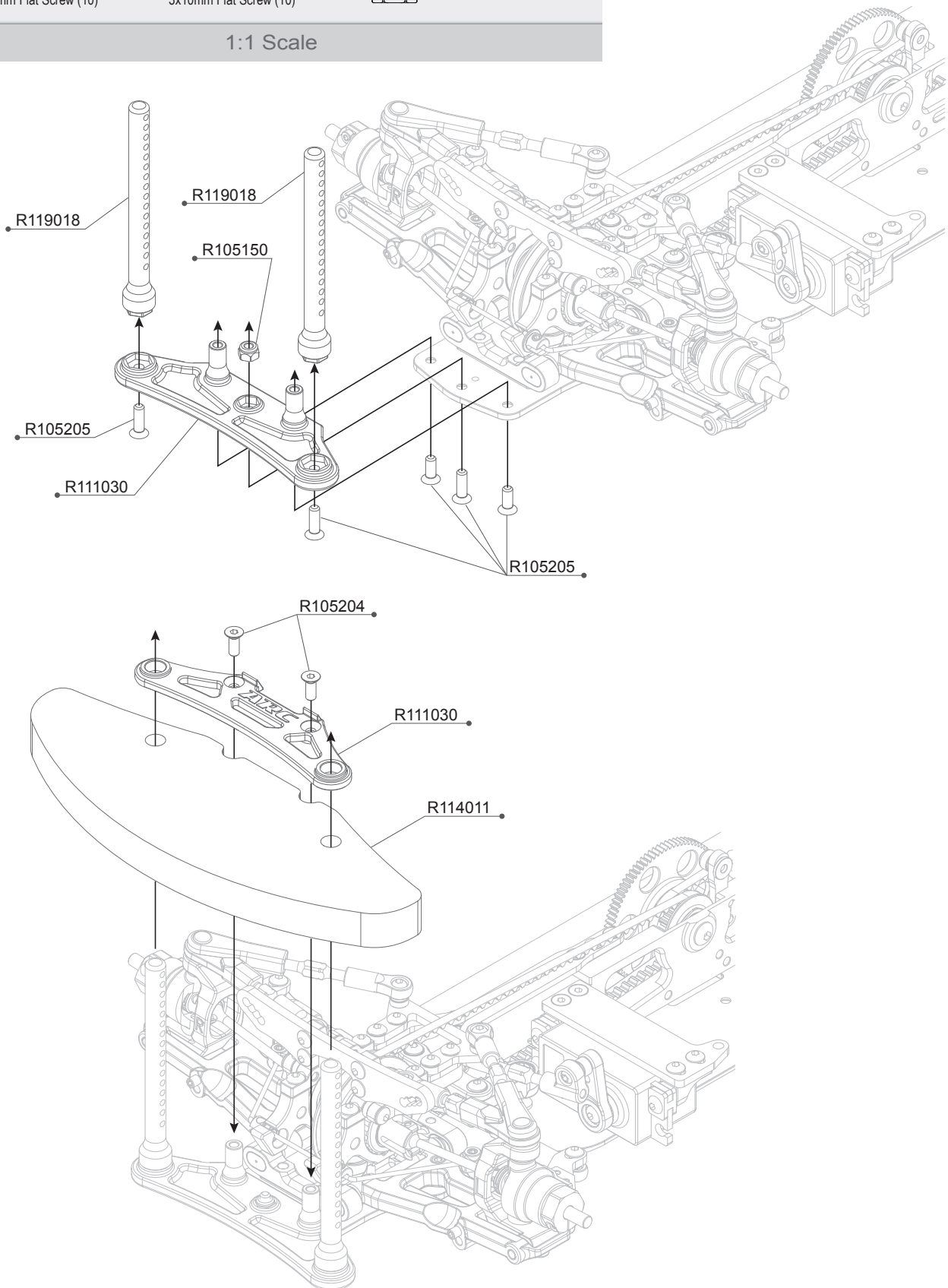


R105205
3x10mm Flat Screw (10)



R105150
3mm Nylon Nut (10)

1:1 Scale



R105150 3mm Nylon Nut (10)
R105204 3x8mm Flat Screw (10)
R105205 3x10mm Flat Screw (10)

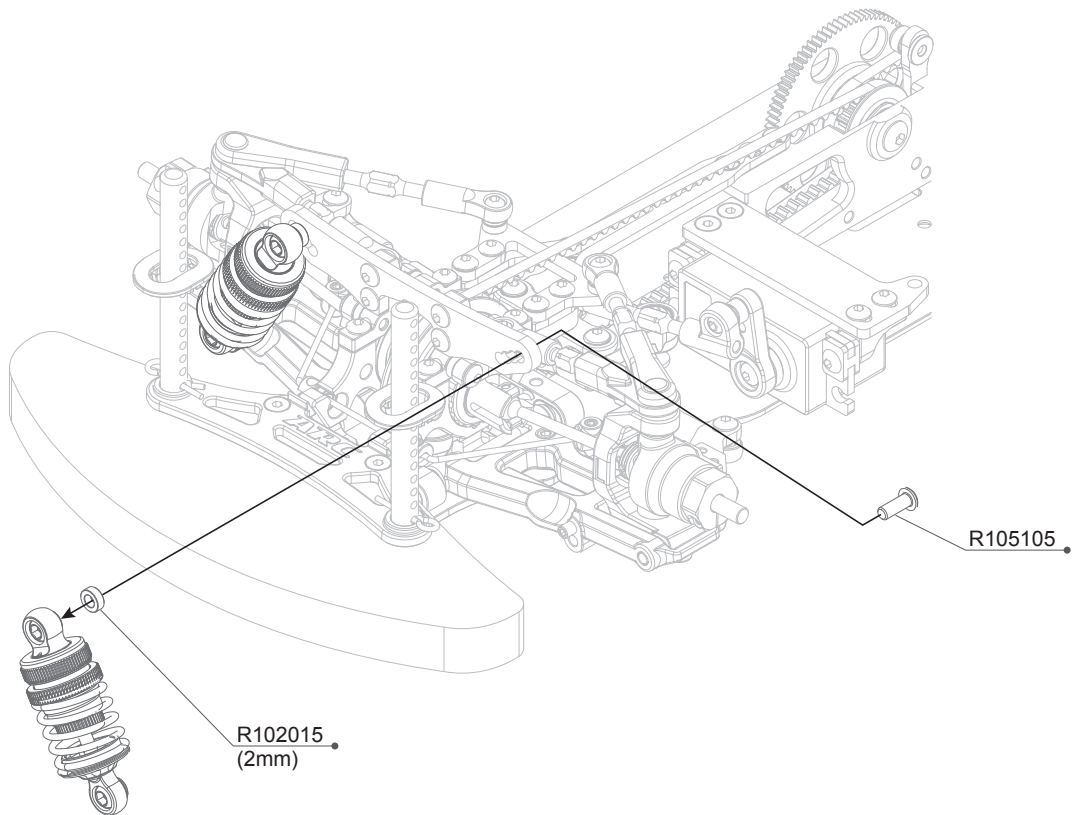
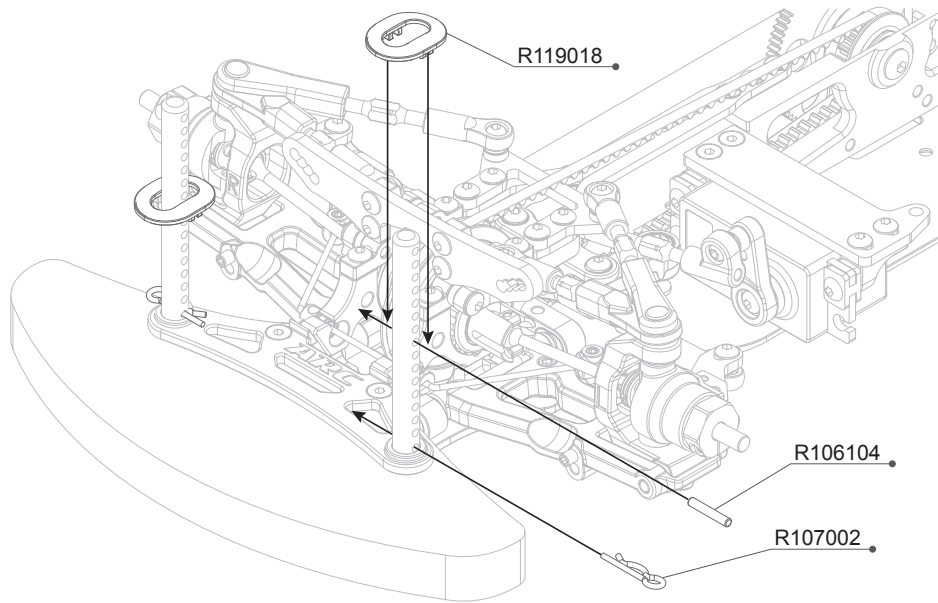
R111030 R11 2019 Bumper Set
R114011 R11 2019 Foam Bumper-STD
R119018 R11 Body Mount Set

R102015
3x5.5x2mm Alu Shims (8)

R105105
3x8 Round Screw (10)

R106104
Ø2x11.8 Pin (10)

1:1 Scale

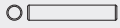


R102015 3x5.5x2mm Alu Shims(8pcs)
R105105 3x8 Round Screw (10)
R106104 2x11.8mm Pin (10pcs)

R107002 R-Clip(8pcs)
R119018 R11 Body Mount Set

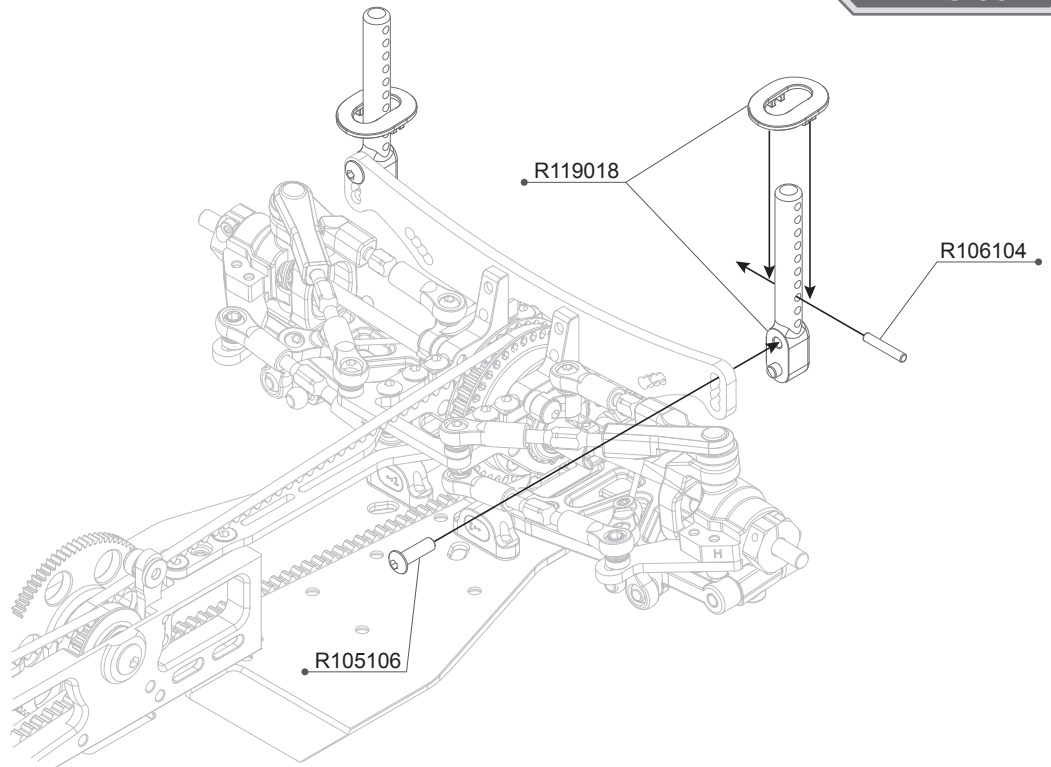


R105106
3x10 Round Screw (10)



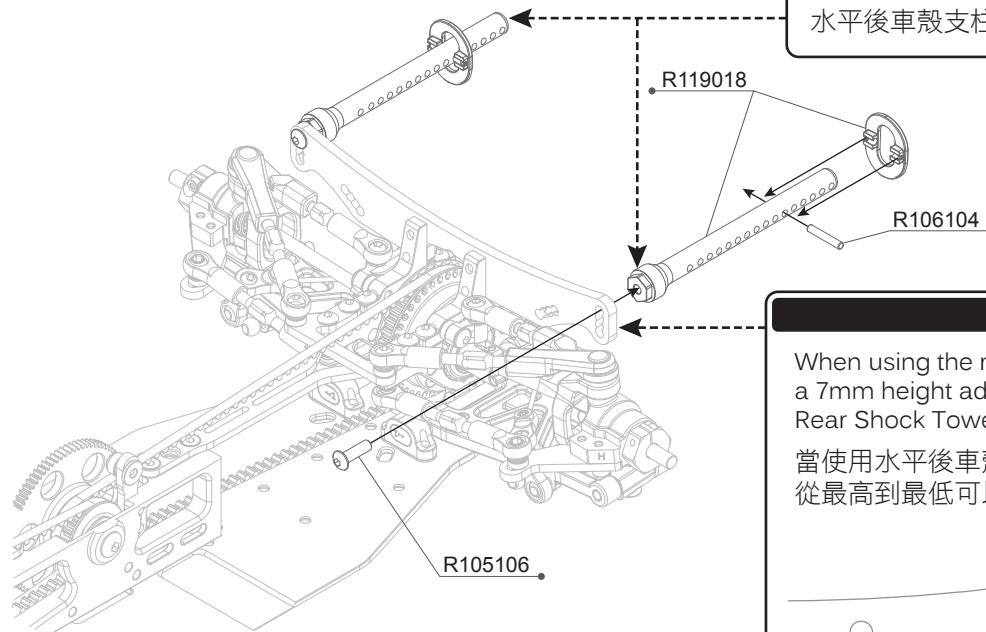
R106104
Ø2x11.8 Pin (10)

1:1 Scale



Option Parts (Not Included) / 改裝品 (未附於套件內)

R119018 R11 Body Mount Set

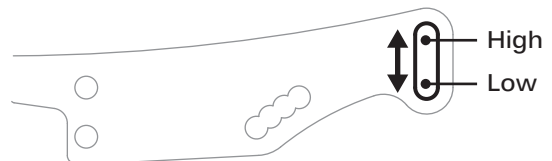


NOTICE

The extra front body posts required for the rear horizontal body post setup are not included.
水平後車殼支柱需另行購買前車殼支柱來使用。

NOTICE

When using the rear horizontal body post setup, a 7mm height adjustment is available on the R12 Rear Shock Tower, from Low to High setting.
當使用水平後車殼支柱時，可以在此微調高度，從最高到最低可以有7mm的調整距離。



R105106 3x10 Round Screw (10)
R106104 2x11.8mm Pin (10pcs)

R119018 R11 Body Mount Set



R102015
3x5.5x2mm Alu Shims (8)



R105105
3x8 Round Screw (10)

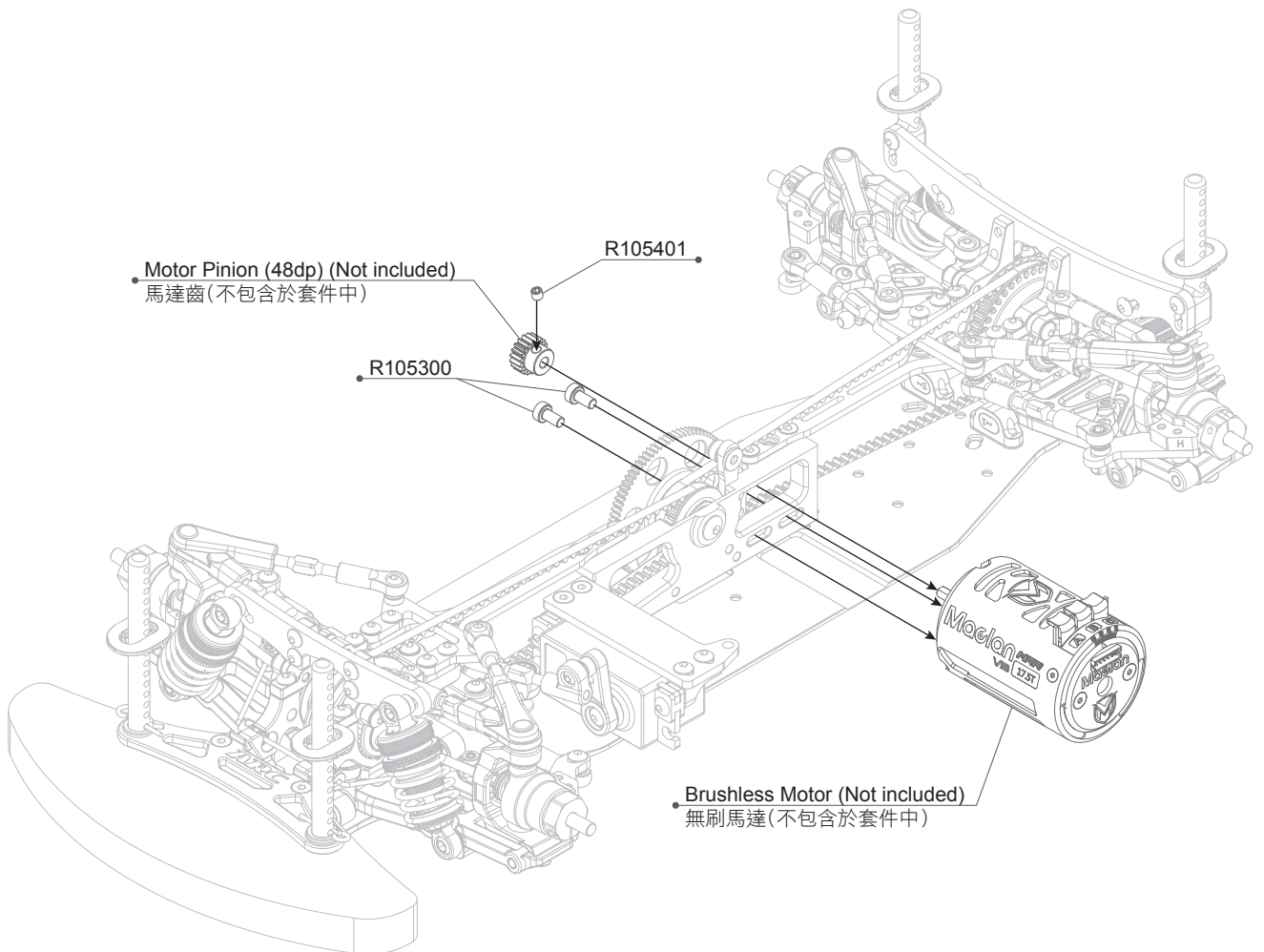
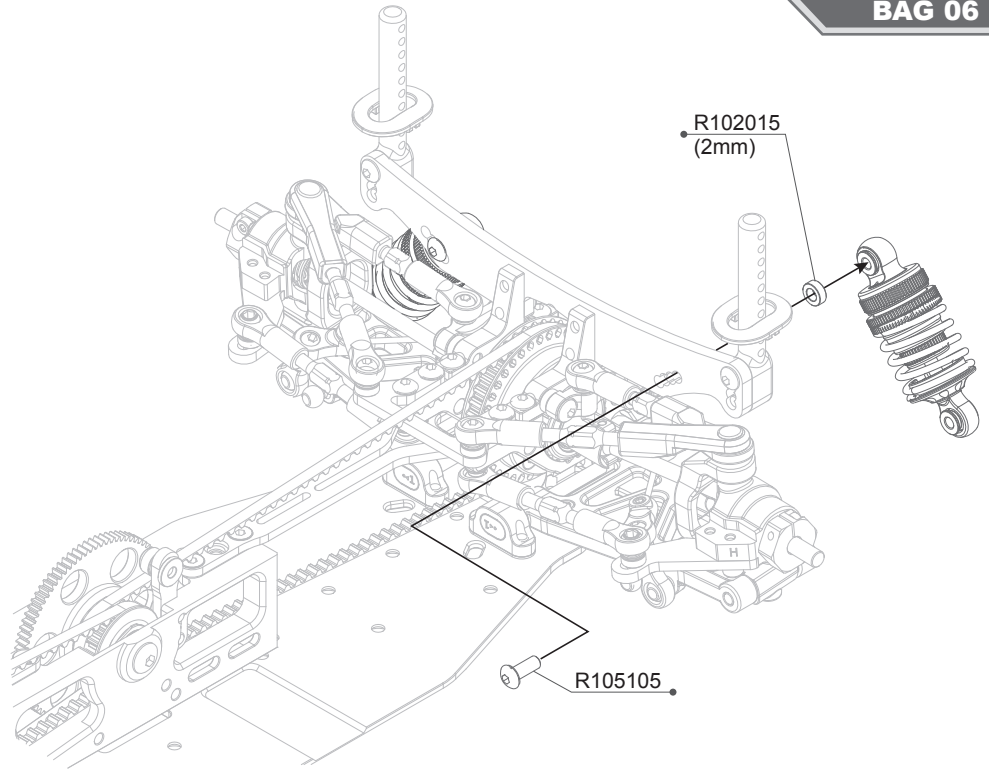


R105300
3x6mm Cap Screw (10)



R105401
3x3mm Set Screw (10)

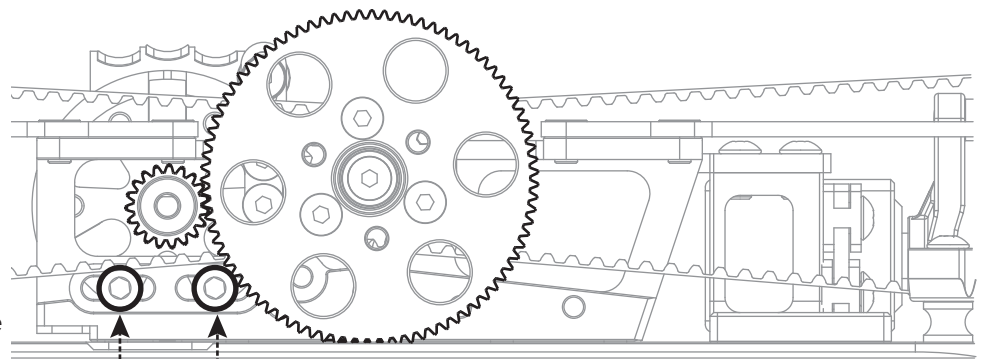
1:1 Scale



R102015 3x5.5x2mm Alu Shims(8pcs)
R105105 3x8 Round Screw (10)

R105300 3x6mm Cap Screw (10)
R105401 3x3mm Set Screw (10)

NOTICE



BAG 06

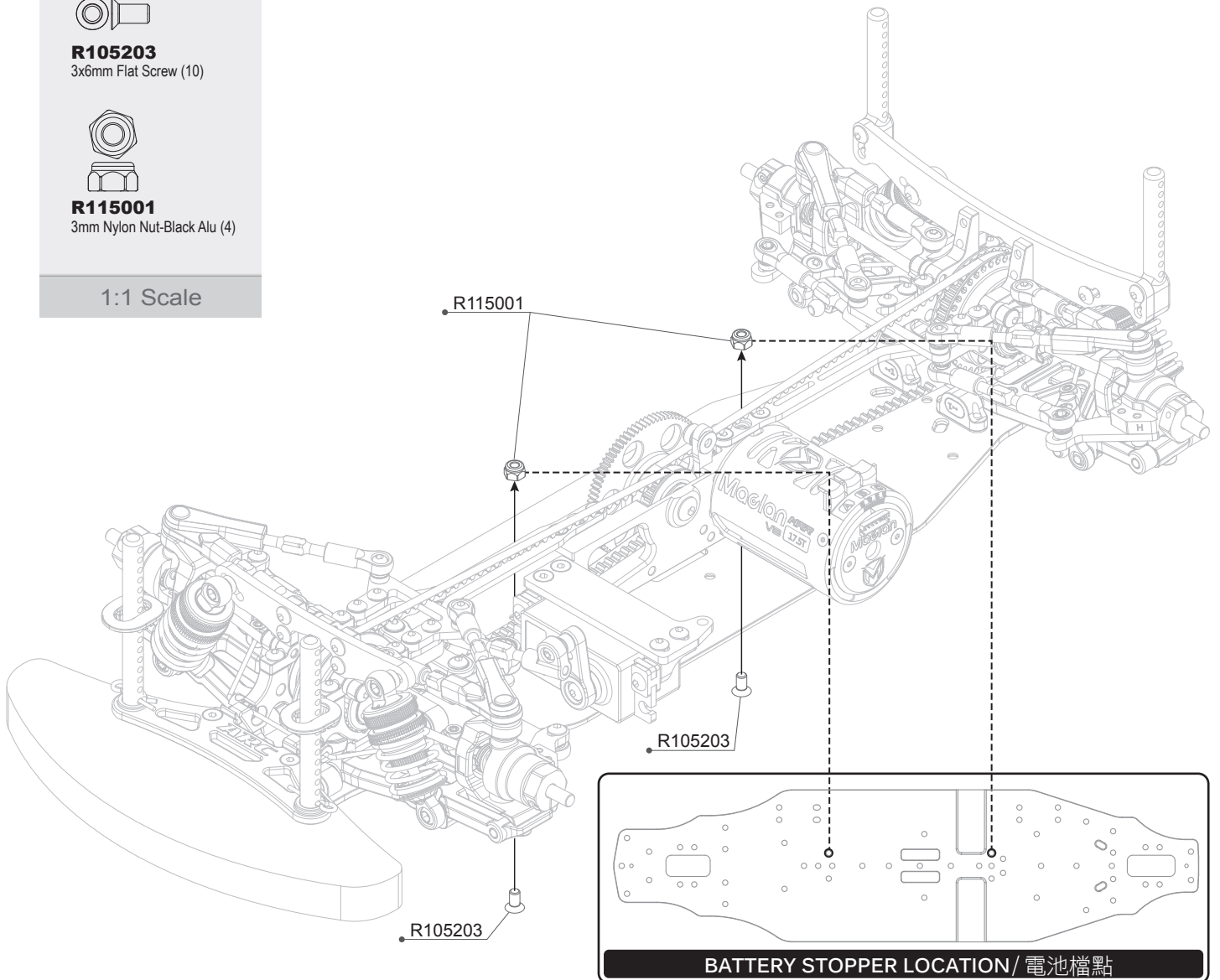


R105203
3x6mm Flat Screw (10)



R115001
3mm Nylon Nut-Black Alu (4)

1:1 Scale



R105203 3x6mm Flat Screw (10)

R115001 3mm Nylon Nut-Black Alu (4)

SHORTY LIPO BATTERY HOLDER / 短電池電池架



R102015
3x5.5x2mm Alu Shims (8)



R121015
Plastic Shims (1/2/3MM)



R105105
3x8 Round Screw (10)

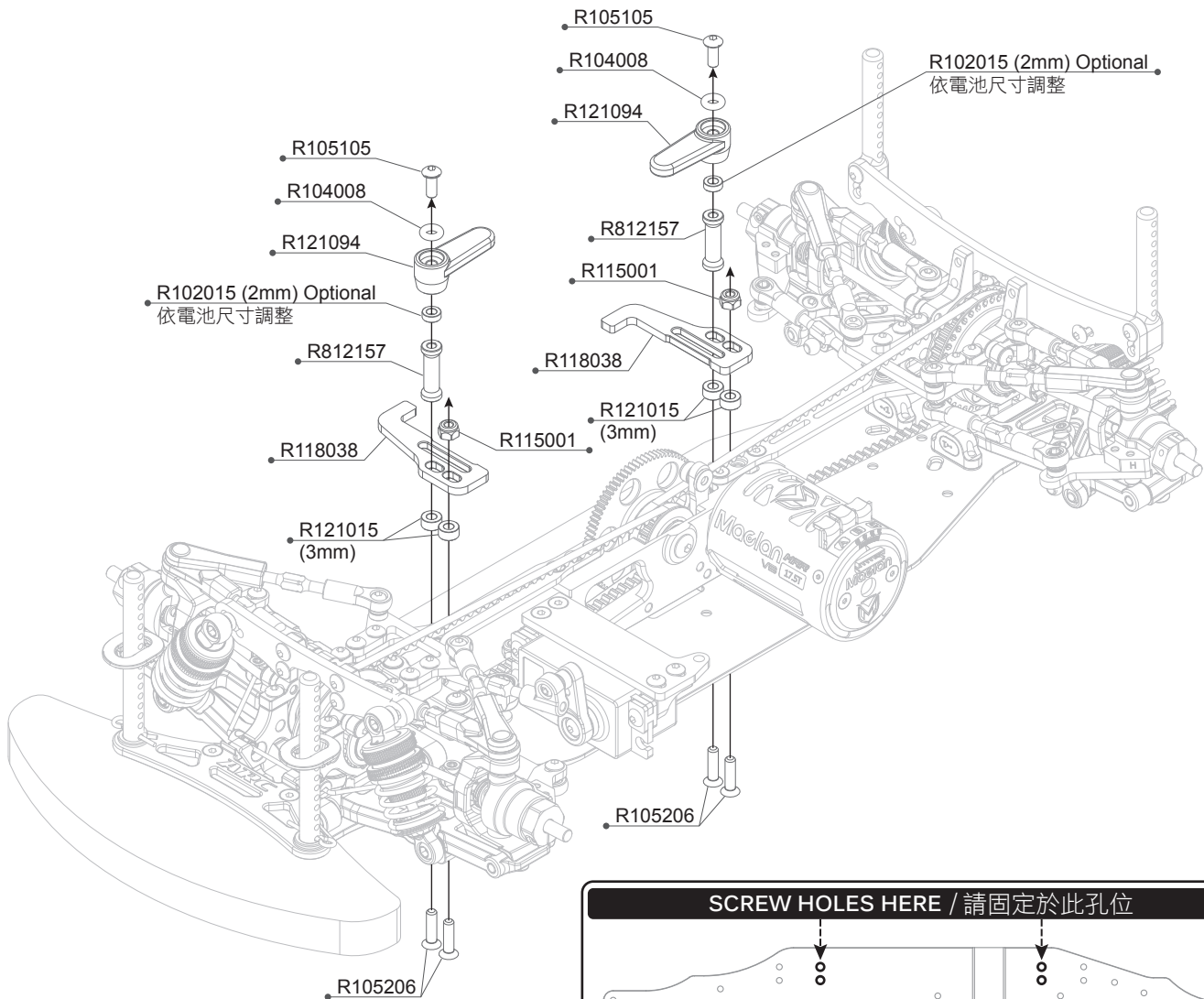


R105206
3x12mm Flat Screw (10)



R115001
3mm Nylon Nut-Black Alu (4)

1:1 Scale



R102015 3x5.5x2mm Alu Shims(8pcs)
R104008 O'ring 3x2(Hard)(4pcs)
R105105 3x8 Round Screw (10)
R105206 3x12mm Flat Screw (10)
R115001 3mm Nylon Nut-Black Alu (4)

R118038 R11 2019 Battery Guides-Carbon (2)
R121015 R12 Plastic Shims (1/2/3mm)
R121094 Battery Holder (2)
R812157 Aluminum Tower (2)

STANDARD LIPO BATTERY HOLDER / 標準鋰電池架



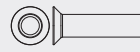
R102015
3x5.5x2mm Alu Shims (8)



R121015
Plastic Shims (1/2/3MM)



R105105
3x8 Round Screw (10)



R105206
3x12mm Flat Screw (10)



R115001
3mm Nylon Nut-Black Alu (4)

1:1 Scale

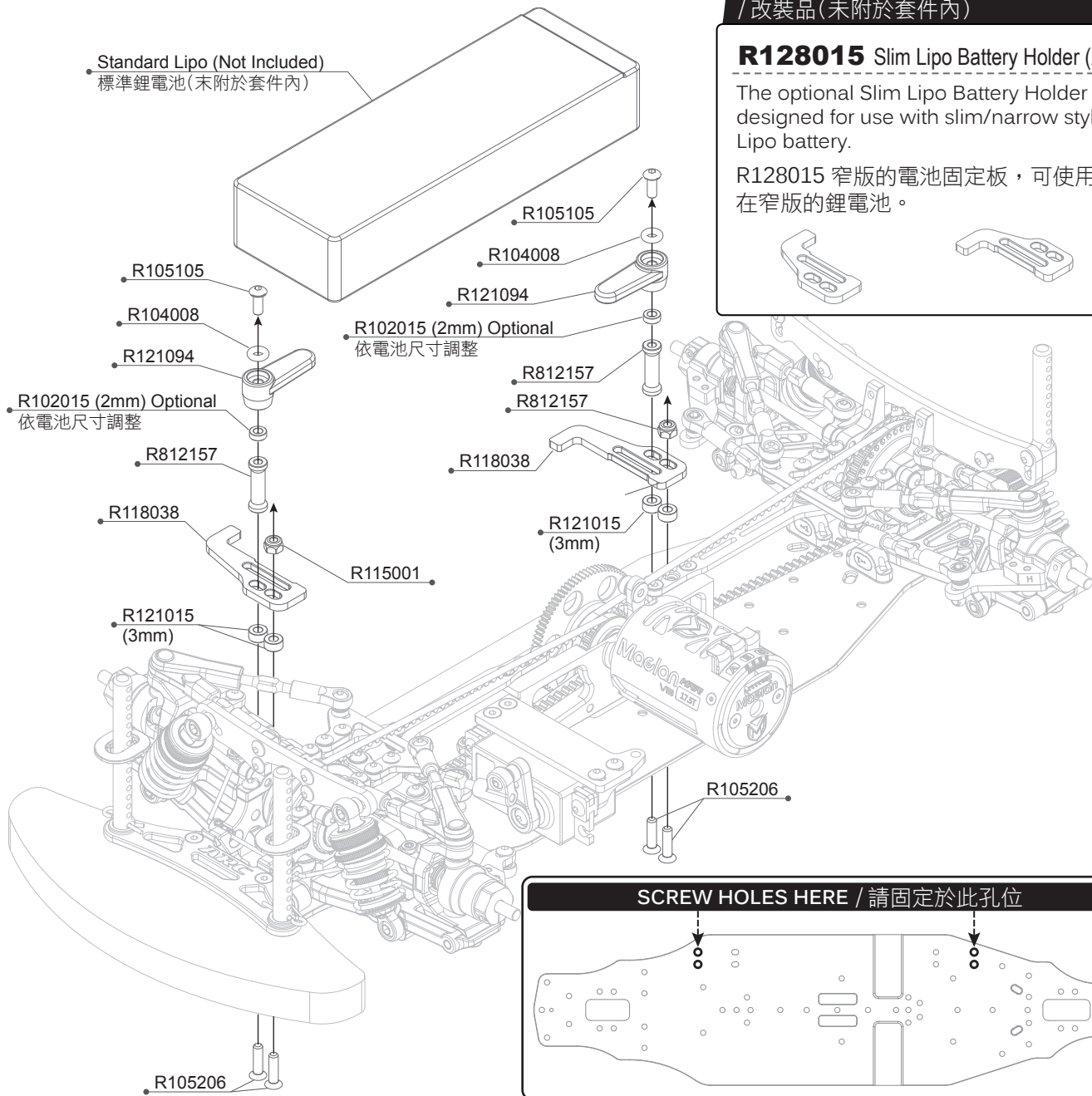
Option Parts (Not Included)

/ 改裝品 (未附於套件內)

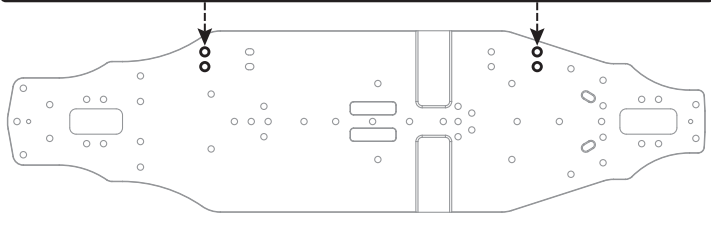
R128015 Slim Lipo Battery Holder (2)

The optional Slim Lipo Battery Holder is designed for use with slim/narrow style Lipo battery.

R128015 窄版的電池固定板，可使用在窄版的鋰電池。

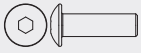


SCREW HOLES HERE / 請固定於此孔位

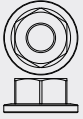


- R102015 3x5.5x2mm Alu Shims(8pcs)
- R104008 O'ring 3x2(Hard)(4pcs)
- R105105 3x8 Round Screw (10)
- R105206 3x12mm Flat Screw (10)
- R115001 3mm Nylon Nut-Black Alu (4)

- R118038 R11 2019 Battery Guides-Carbon (2)
- R121015 R12 Plastic Shims (1/2/3mm)
- R121094 Battery Holder (2)
- R812157 Aluminum Tower (2)

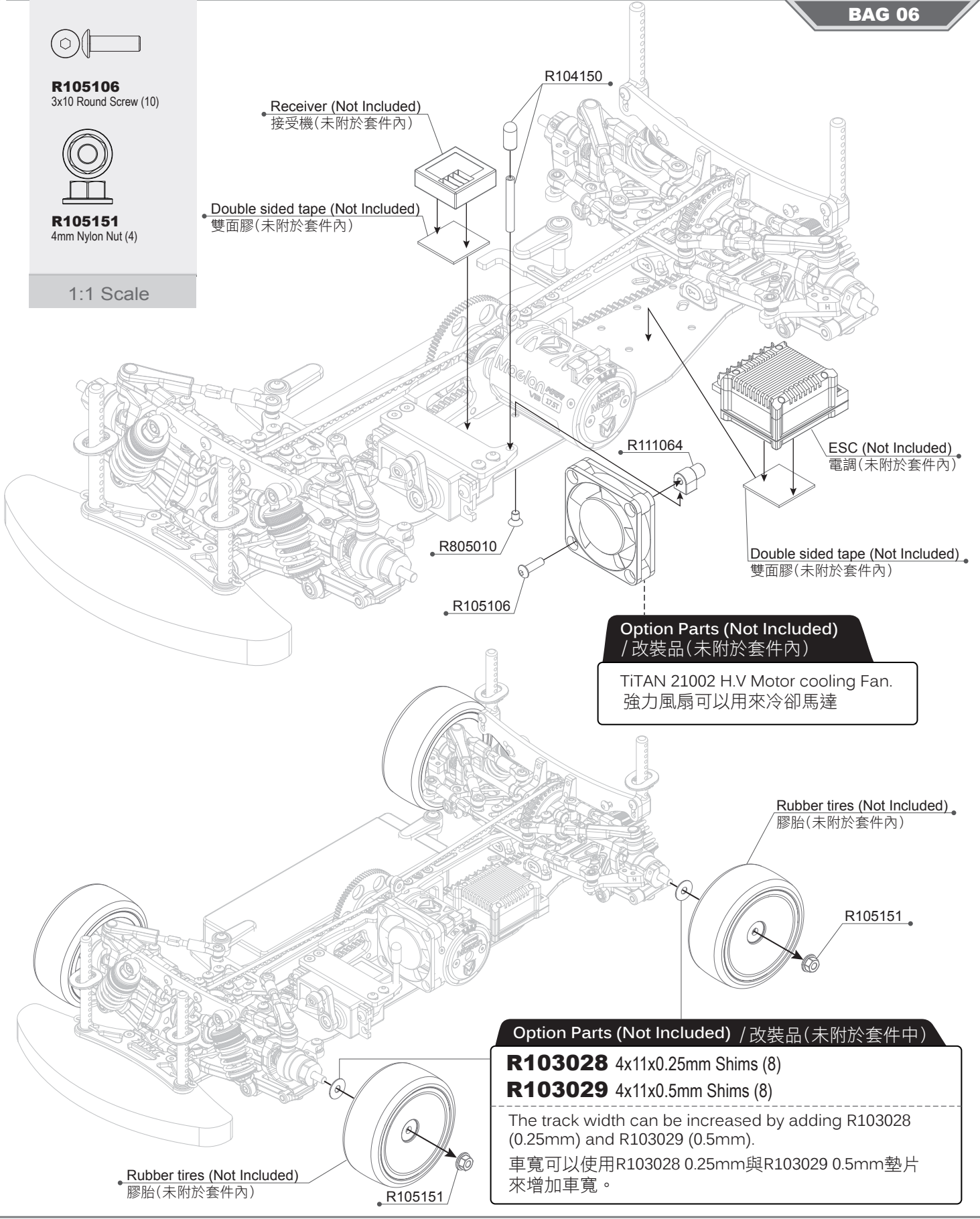


R105106
3x10 Round Screw (10)



R105151
4mm Nylon Nut (4)

1:1 Scale



Option Parts (Not Included)
/ 改裝品 (未附於套件內)

TiTAN 21002 H.V Motor cooling Fan.
強力風扇可以用來冷卻馬達

Option Parts (Not Included) / 改裝品 (未附於套件中)

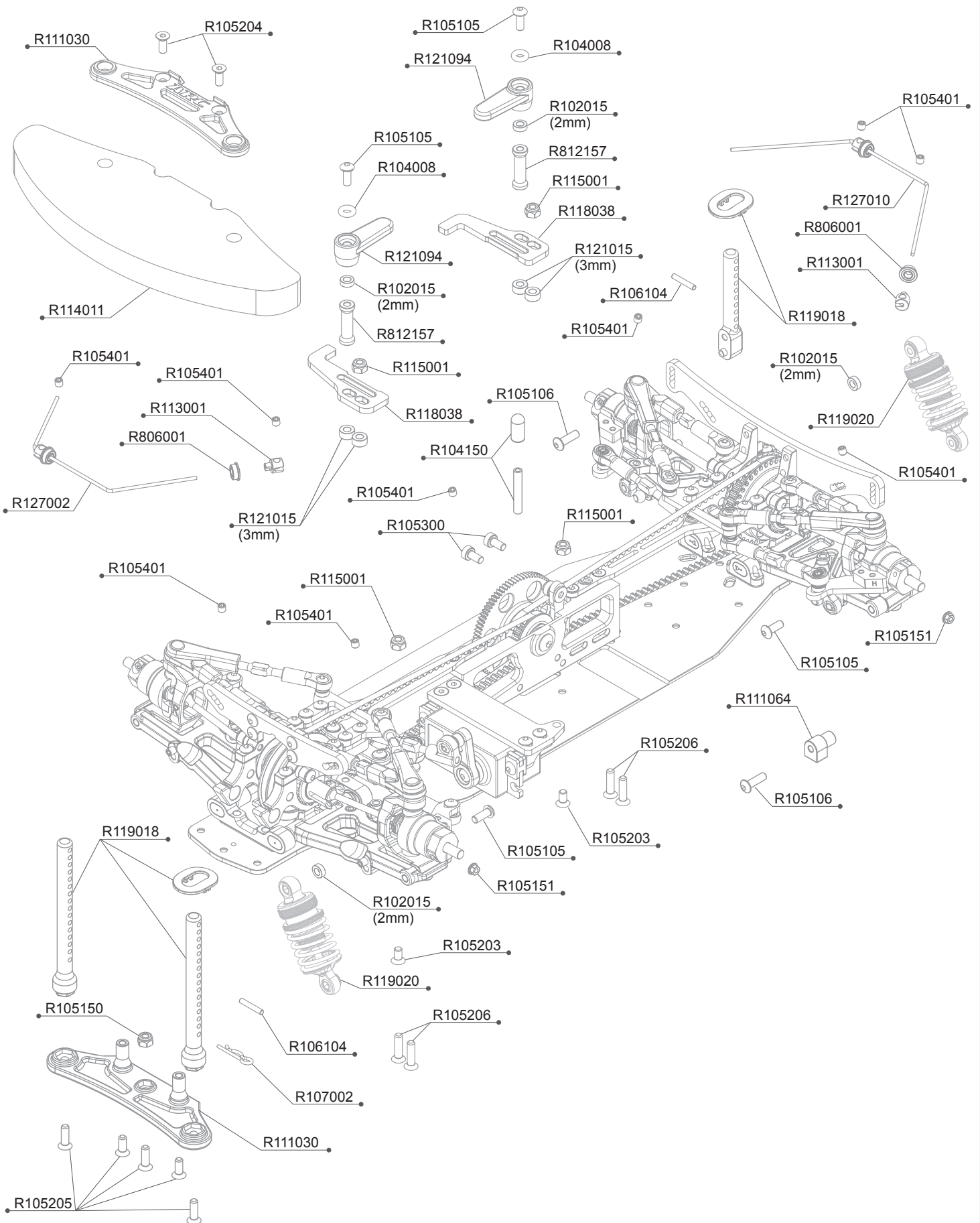
R103028 4x11x0.25mm Shims (8)
R103029 4x11x0.5mm Shims (8)

The track width can be increased by adding R103028 (0.25mm) and R103029 (0.5mm).
車寬可以使用R103028 0.25mm與R103029 0.5mm墊片來增加車寬。

- R104150 Antenna (1set)
- R105106 3x10 Round Screw (10)
- R105151 4mm Nylon Nut (4)

- R111064 R11 Motor Fan Mount
- R805010 3x5mm Flat Screw (10)




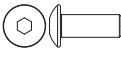
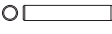







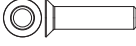
R12.1 BAG 06 PARTS EXPLODED VIEW



R12.1 BAG 06 PARTS LIST

R102015	3x5.5x2mm Alu Shims(8pcs)	R111030	R11 2019 Bumper Set
R104008	O'ring 3x2(Hard)(4pcs)	R111064	R11 Motor Fan Mount
R104150	Antenna (1set)	R113001	Anti-Roll Bar Holder (2)
R105105	3x8 Round Screw (10)	R114011	R11 2019 Foam Bumper-STD
R105106	3x10 Round Screw (10)	R115001	3mm Nylon Nut-Black Alu (4)
R105150	3mm Nylon Nut (10)	R118038	R11 2019 Battery Guides-Carbon (2)
R105151	4mm Nylon Nut (4)	R119018	R11 Body Mount Set
R105203	3x6mm Flat Screw (10)	R121015	R12 Plastic Shims (1/2/3mm)
R105204	3x8mm Flat Screw (10)	R121094	Battery Holder (2)
R105205	3x10mm Flat Screw (10)	R127002	R12 Front Anti-Roll Bar 1.3mm
R105206	3x12mm Flat Screw (10)	R127010	R12 Rear Anti-Roll Bar 1.3mm
R105300	3x6mm Cap Screw (10)	R805010	3x5mm Flat Screw (10)
R105401	3x3mm Set Screw (10)	R806001	3x6x2.5 Flange Ball Bearing (2)
R106104	2x11.8mm Pin (10pcs)	R812157	Aluminum Tower (2)
R107002	R-Clip(8pcs)		

1:1 SCALE

	R102015 3x5.5x2mm Alu Shims (8)		R105300 3x6mm Cap Screw (10)
	R121015 Plastic Shims (1/2/3MM)		R105401 3x3mm Set Screw (10)
	R105105 3x8 Round Screw (10)		R106104 Ø2x11.8 Pin (10)
	R105106 3x10 Round Screw (10)		R105150 3mm Nylon Nut (10)
	R805010 3x5mm Flat Screw (10)		R105151 4mm Nylon Nut (4)
	R105203 3x6mm Flat Screw (10)		R115001 3mm Nylon Nut-Black Alu (4)
	R105204 3x8mm Flat Screw (10)		R806001 3x6x2.5mm Flange Ball Bearing (2)
	R105205 3x10mm Flat Screw (10)		
	R105206 3x12mm Flat Screw (10)		