

**NOTICE**

**TH** =Apply Thread Lock Adhesive  
=使用螺絲防鬆膠

**CA** =Apply CA Glue  
=使用瞬間接著劑

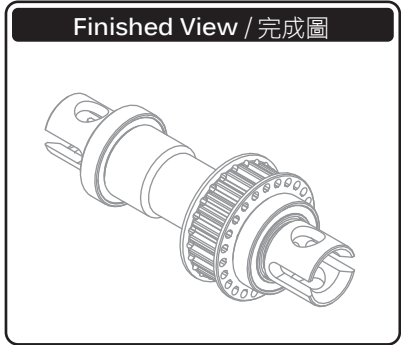
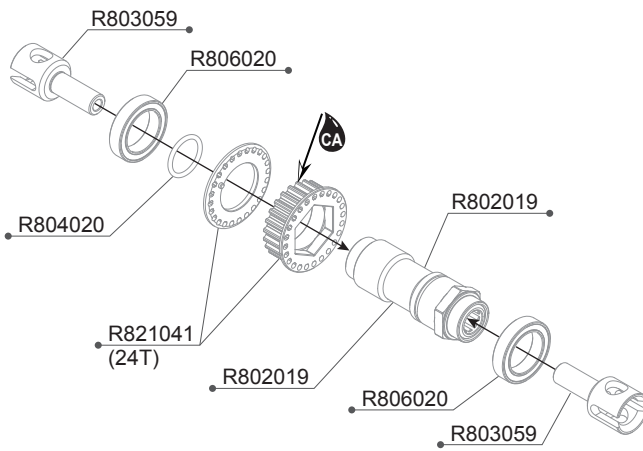
**GE** =Apply Grease  
=使用潤滑油

**BAG 01**



**R806020**  
12x18x4mm Ball Bearing (4)

1:1 Scale



- R802019 Front One Way
- R803059 Front One Way Cup (2)
- R804020 O'Ring 10x1.5 (6)

- R806020 12x18x4 Ball Bearing (4)
- R821041 R8.3 Front Pulley Set

**BAG 01**



**R105203**  
3x6mm Flat Screw (10)

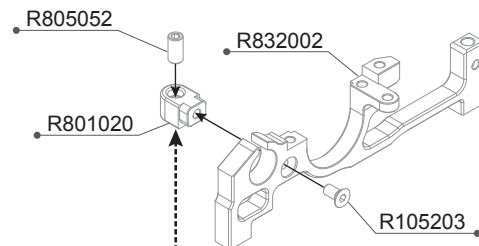
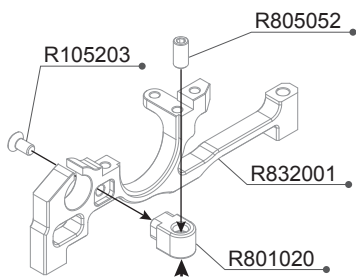


**R805052**  
4x8mm Set Screw (10)

1:1 Scale


**Right Side Bulkhead**  
(右邊側板)

**Left Side Bulkhead**  
(左邊側板)



**Option Parts (Not Included) / 改裝品 (未附於套件內)**

**R813005** Downstop Adjust Screw (4)




- R105203 3x6mm Flat Screw (10)
- R801020 Downstop Nut Holder (2)
- R805052 4x8mm Set Screw (10)

- R832001 R8.3 Front Low Bulkhead-R
- R832002 R8.3 Front Low Bulkhead-L

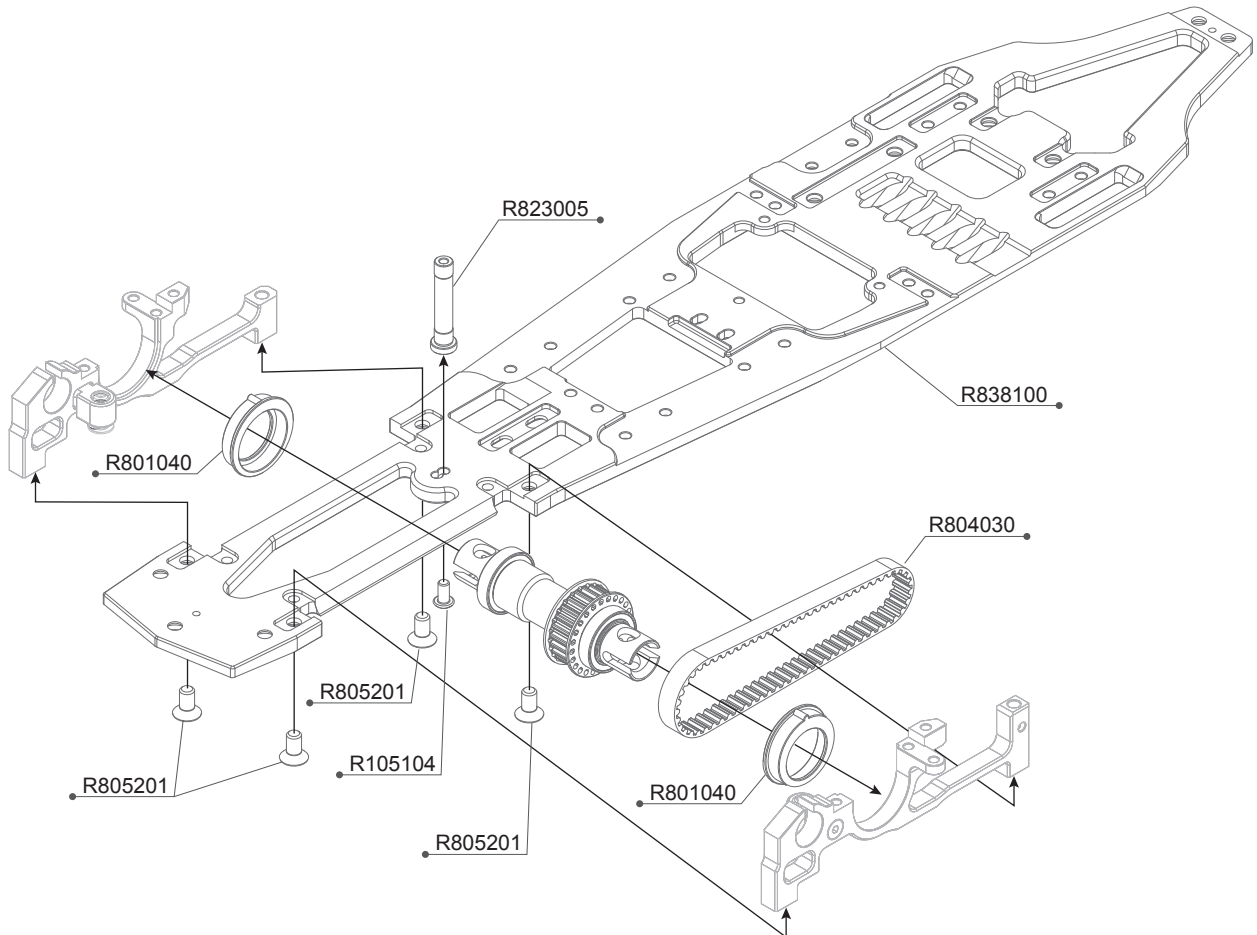


**R105104**  
3x6 Round Screw (10)



**R805201**  
4x8mm Flat Screw (10)

1:1 Scale



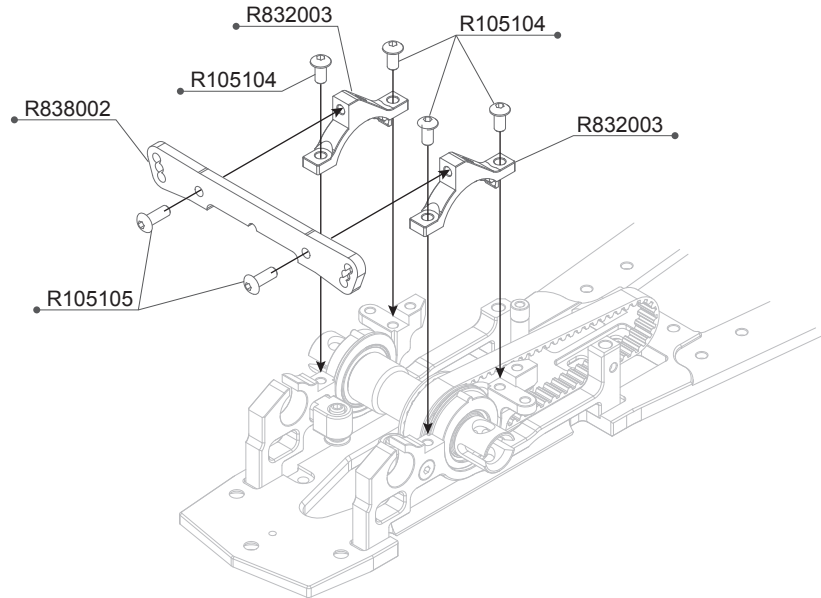
R105104 3x6 Round Screw (10)  
R801040 Bearing Bushing -Solid Axle (2)  
R804030 Front Belt 201

R805201 4x8mm Flat Screw (10)  
R823005 R8.2 LCG Sever Saver Post  
R838100 R8.3E Carbon Chassis

**R105104**  
3x6 Round Screw (10)

**R105105**  
3x8 Round Screw (10)

1:1 Scale

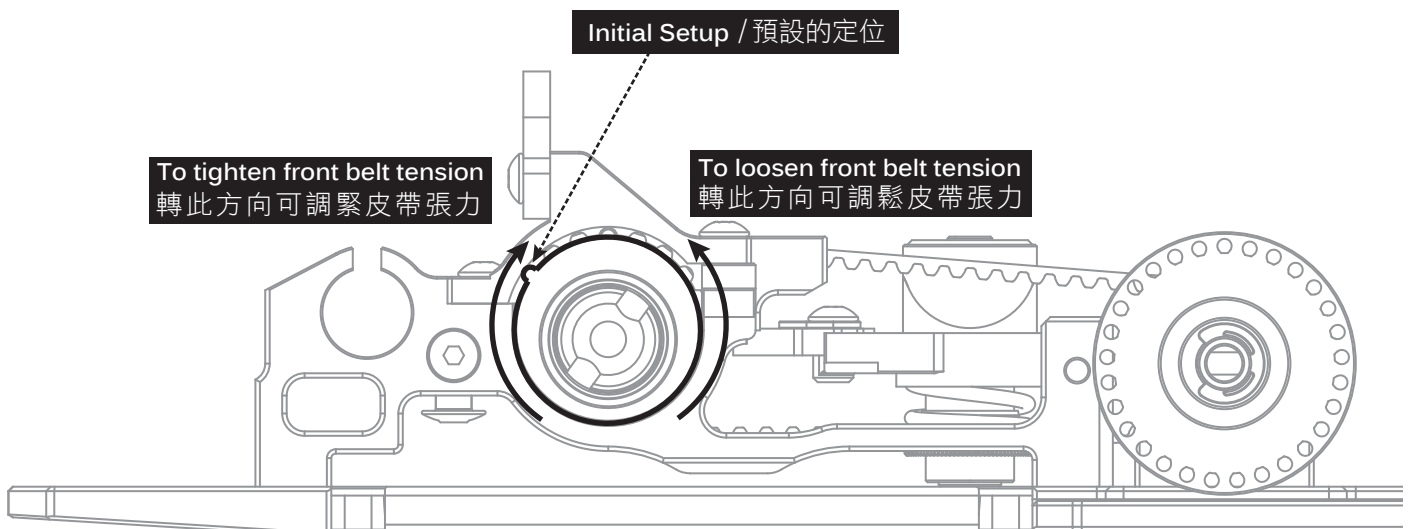


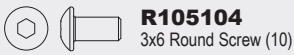
R105104 3x6 Round Screw (10)  
R105105 3x8 Round Screw (10)

R832003 R8.3 Front Upper Bulkhead  
R838002 R8.3 Front Shock Tower

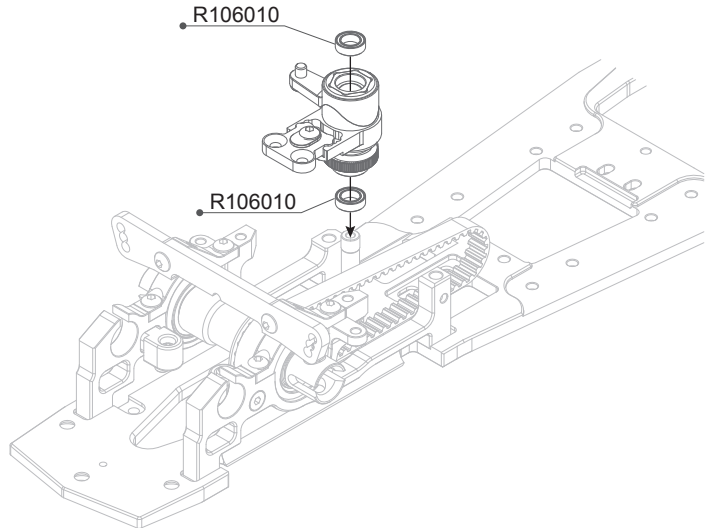
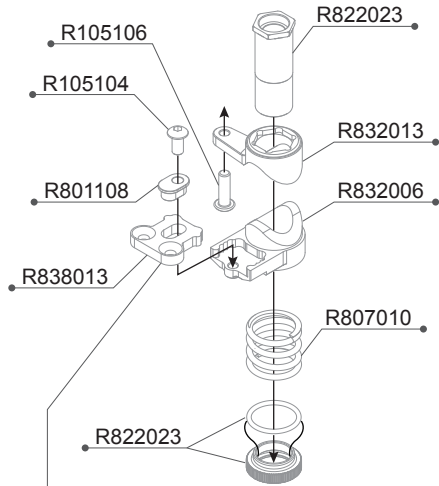
### NOTICE

Please set the front belt tension as below in the beginning, to loosen the belt please turn left, to tighten the belt please turn right.  
前皮帶的張力請依下方圖示設定於起始的位置，如需將皮帶張力調鬆時請依圖示向左調整，如需調緊時請向右調整。





1:1 Scale


**Option Parts (Not Included) / 改装品 (未附於套件內)**
**R838012 R8.3 Ackerman Plate 9mm**

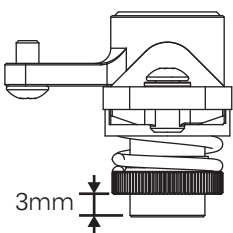
The distance of ball head is 9mm, It will give more overall steering then 10mm ackerman plate.

兩個球頭間的距離為9mm，相較於10mm的轉向阿克曼板可以提供更多的轉向能力。

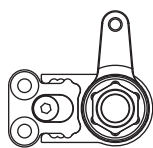
**R838011 R8.3 Ackerman Plate 8.5mm**

The distance of ball head is 8.5mm, It will give more overall steering then 9mm ackerman plate.

兩個球頭間的距離為8.5mm，相較於9mm的轉向阿克曼板可以提供更多的轉向能力。

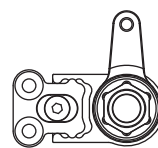
**NOTICE**


DEFAULT DISTANCE  
預設的位置

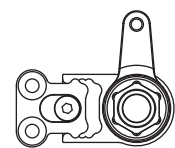


When track has "High Traction" or want to reduce steering.

此設定建議使用在高抓地力的跑道或是需要降低車輛轉向的反應時。

**NOTICE**


DEFAULT SETUP  
預設的中性設定



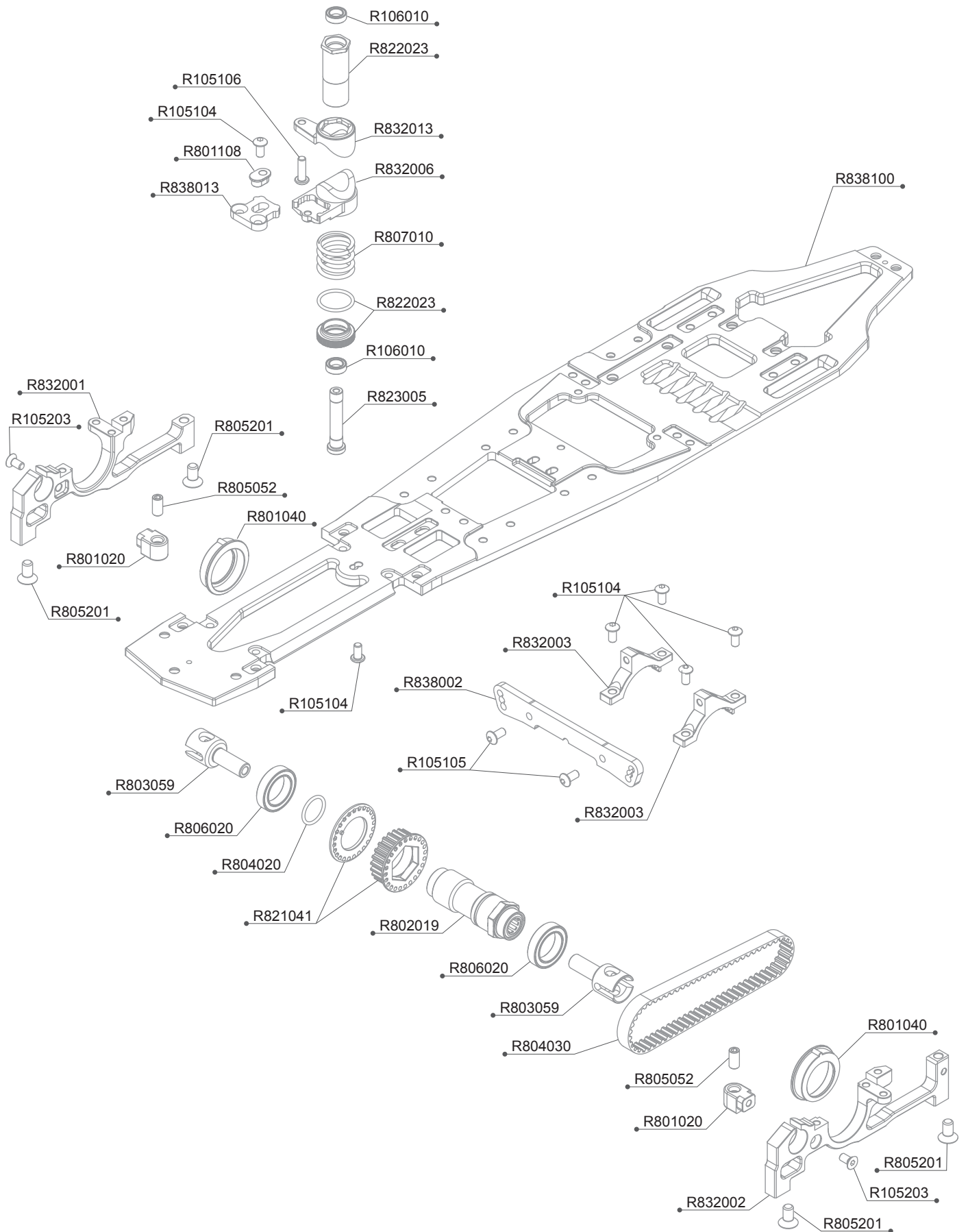
When track has "Low Traction" or want to increase steering

此設定建議使用在低抓地力的跑道或是需要增加車輛初期的轉向反應時。

R105104 3x6 Round Screw (10)  
R105106 3x10 Round Screw (10)  
R106010 5x8x2.5mm Ball Bearing (4pcs)  
R801108 Ackerman Adjustment Shims 0/+1.5  
R807010 Servo Saver Spring

R822023 R8.2 LCG Sever Saver Tower  
R832006 R8.3 Servo Saver Lower  
R832013 R8.3 Servo Saver Upper  
R838013 R8.3 Ackerman Plate 10mm

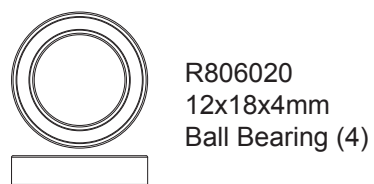
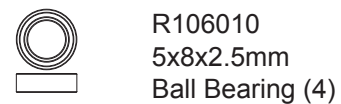
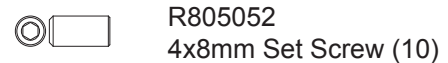
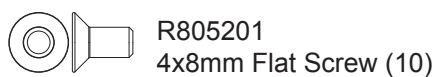
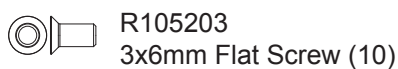
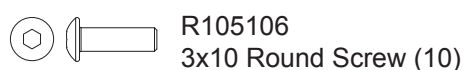
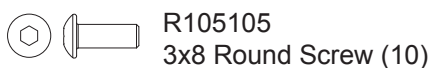
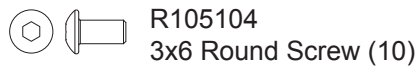
## R8.3E BAG 01 PARTS EXPLORE VIEW



## R8.3E BAG 01 PARTS LIST

R105104	3x6 Round Screw (10)	R806020	12x18x4 Ball Bearing (4)
R105105	3x8 Round Screw (10)	R807010	Servo Saver Spring
R105106	3x10 Round Screw (10)	R821041	R8.3 Front Pulley Set
R105203	3x6mm Flat Screw (10)	R822023	R8.2 LCG Sever Saver Tower
R106010	5x8x2.5mm Ball Bearing (4pcs)	R823005	R8.2 LCG Sever Saver Post
R801020	Downstop Nut Holder (2)	R832001	R8.3 Front Low Bulkhead-R
R801040	Bearing Bushing -Solid Axle (2)	R832002	R8.3 Front Low Bulkhead-L
R801108	Ackerman Adjustment Shims 0/+1.5	R832003	R8.3 Front Upper Bulkhead
R802019	Front One Way	R832006	R8.3 Servo Saver Lower
R803059	Front One Way Cup (2)	R832013	R8.3 Servo Saver Upper
R804020	O'Ring 10x1.5 (6)	R838002	R8.3 Front Shock Tower
R804030	Front Belt 201	R838013	R8.3 Ackerman Plate 10mm
R805052	4x8mm Set Screw (10)	R838100	R8.3E Carbon Chassis
R805201	4x8mm Flat Screw (10)		

## 1:1 SCALE





**R102014**  
3x5.5x1mm Alu Shims (8)



**R102017**  
3x5.5x3mm Alu Shims (4)



**R103050**  
3x5x0.3mm Shims (10)



**R105101**  
2x5mm Cap Screw (10)



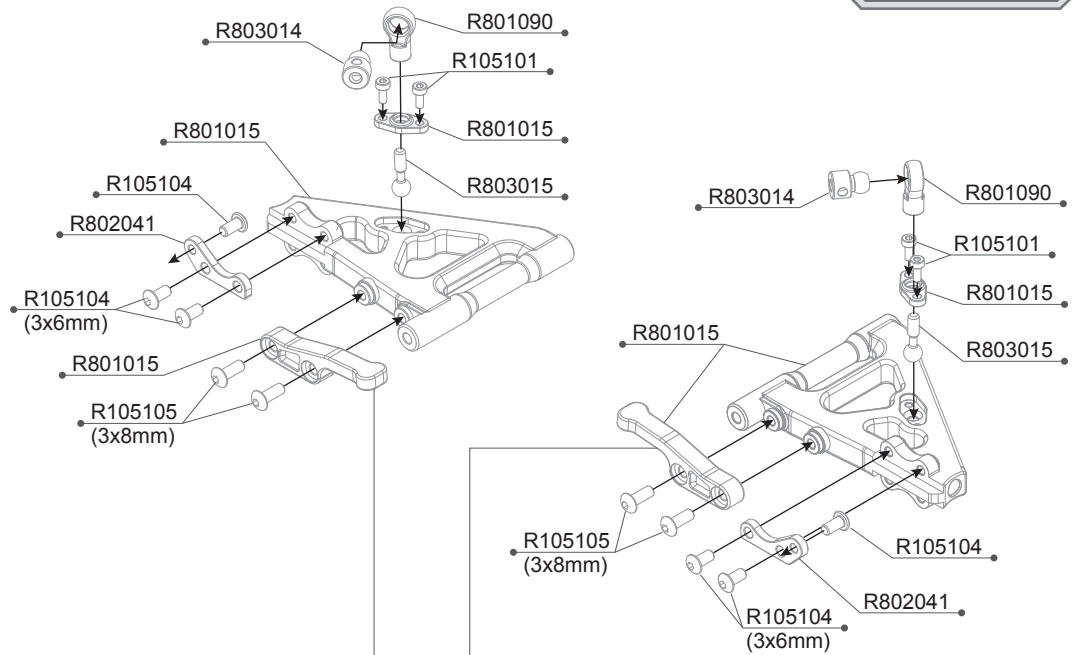
**R105204**  
3x8mm Flat Screw (10)



**R105104**  
3x6 Round Screw (10)



**R105105**  
3x8 Round Screw (10)



Option Parts (Not Included) / 改裝品 (未附於套件內)

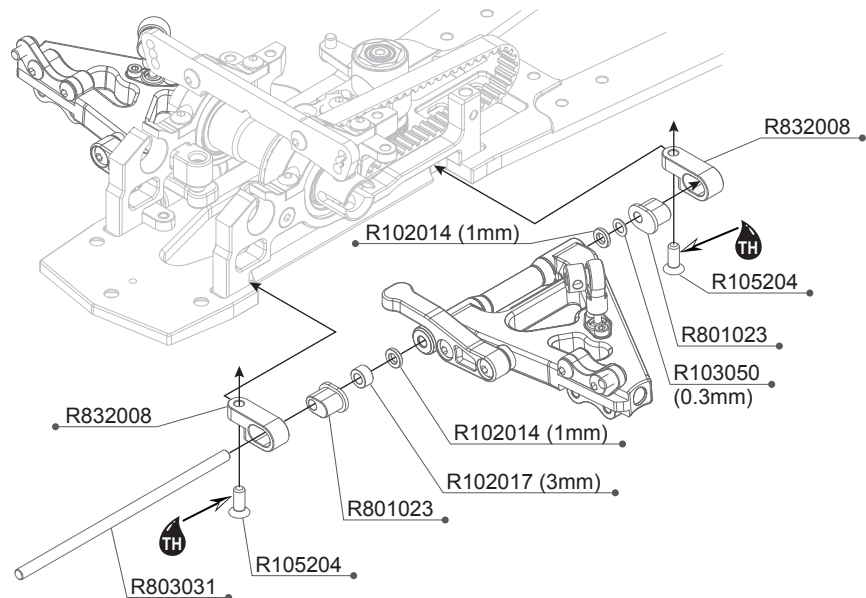
### R802087

Front Down Stop Arm-Alu (2)



The option aluminum arm helps to make droop setup more precise.  
鋁合金製作的下抬行程控制臂可以更精確的去控制與設定下抬量的行程。

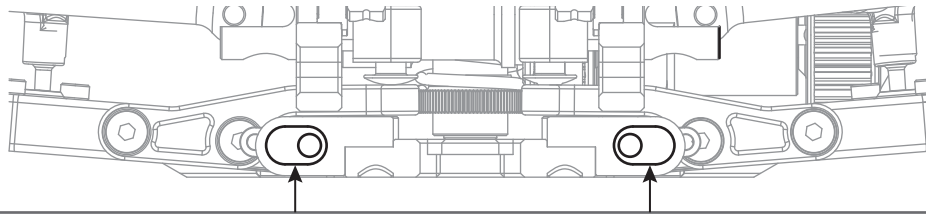
1:1 Scale



R102014 3x5.5x1mm Alu Shims(8pcs)  
R102017 3X5.5X3mm Alu Shims(4pcs)  
R103050 3x5x0.3mm Shims (10)  
R105101 2x5mm Cap Screw (10)  
R105104 3x6 Round Screw (10)  
R105105 3x8 Round Screw (10)  
R105204 3x8mm Flat Screw (10)  
R801015 Front Low Arm Set

R801023 Suspension Bracket Insert-Open (8)  
R801090 Ball End 5.8mm Short (4)  
R802041 Front Shock Mount S (2)  
R803014 Anti Roll Bar Ball Head (2)  
R803015 Anti Roll Bar Ball Screw (2)  
R803031 Front Low Arm Pin 3x77.8  
R832008 R8.3 Front Low Arm Holder (2)

### R8.3 FRONT LOW ARM SETUP / R8.3前下擺臂設定表



Move the insert hole to outside and front low arm will become shortest, shorter front low arm will helps to increase initial steering response and avoid over steering, recommend using in very short and tight corner with medium traction.

孔位朝外時前下擺臂長度變成最短，較短的前下擺臂可以有效的增加轉向的初期反應，並防減少車輛轉向過度，建議使用在較小與多彎的跑道上。



Move the insert hole to center and the low arm length extend 1.5mm compare with shortest arm, it will helps to reduce the steering response and increase exit corner steering, recommend using in the medium size track and corner.

將孔位放置於中間時前下擺臂的長度相較於最短的設定增加1.5mm，此設定可減少車輛轉向的初期反應，並增加出彎時的轉向能力，適合在中型跑道。



**Default setup** is move the insert hole to inside and make low arm become longest, the longest arm will reduce the initial steering response and make car more easy to drive also increase the exit corner and on-power steering.

預設的位置是將孔位放置在最內的位置，此時前下擺臂的長度是最長的，較長的前下擺臂可以減少轉向初期的反應使車輛比較容易駕駛並有效的增加出彎與加油門時車輛的轉向能力。

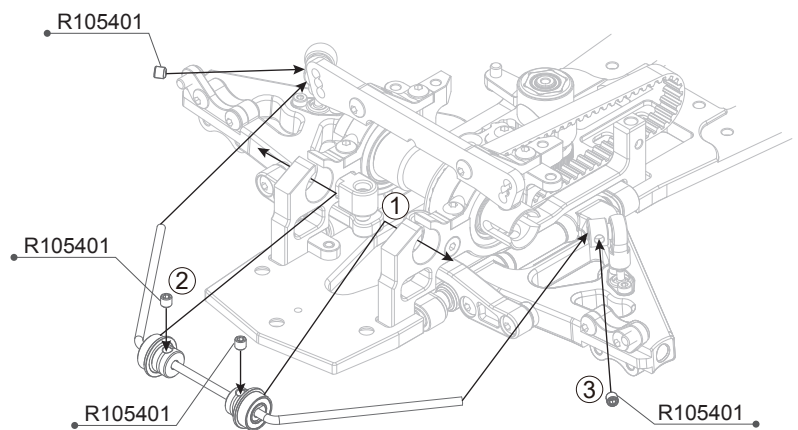
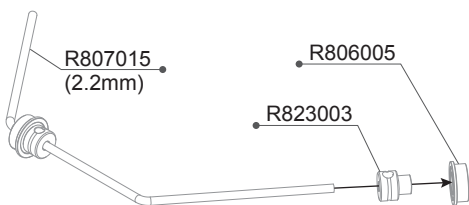


**R105401**  
3x3mm Set Screw (10)



**R806005**  
5x10x4mm  
Flange Ball Bearing (2)

1:1 Scale



#### Option Parts (Not Included) / 改裝品 (未附於套件內)

**R807014** Front Anti-Roll Bar 2.0mm  
**R807016** Front Anti-Roll Bar 2.4mm

**R807017** Front Anti-Roll Bar 2.6mm  
**R807018** Front Anti-Roll Bar 2.8mm

R105401 3x3mm Set Screw (10)  
R806005 5x10x4 Flange Ball Bearing (2)

R807015 Front Anti-Roll Bar 2.2mm  
R823003 Anti-Roll Bar Stopper 2.0-2.4 (2)



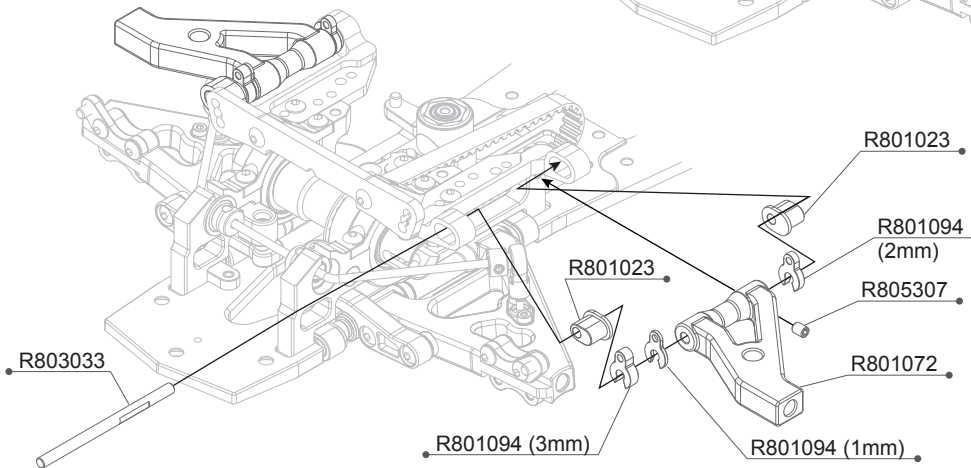
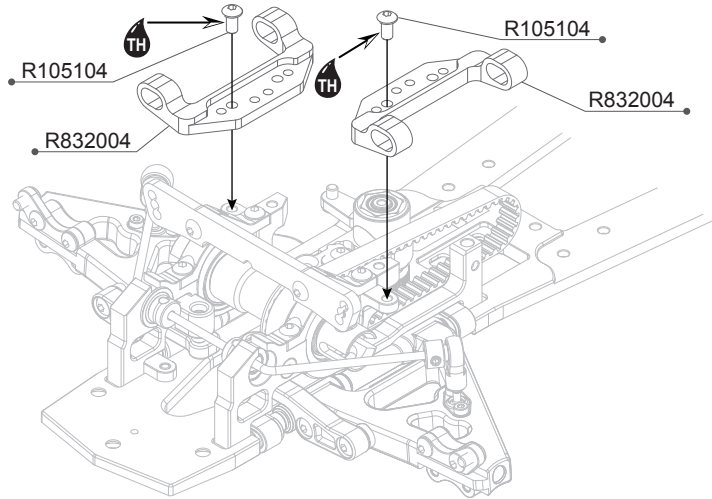


**RR805307**  
3x6mm Set Screw (10)



**R105104**  
3x6 Round Screw (10)

1:1 Scale



### R8.3 FRONT UPPER ARM SETUP/ R8.3前上擺臂設定表



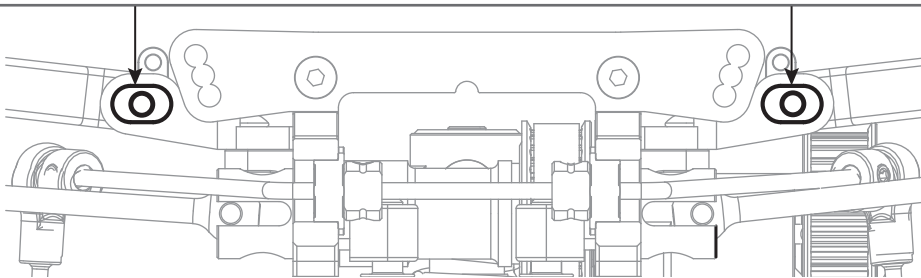
Move the insert hole to outside and front upper arm will become shortest, it will increase initial steering response and reduce exit and on-power steering.  
將孔位朝向外，前上擺臂的長度會變成是最短的設定，此設定可以增加轉向的初期反應，但會減少車輛出彎與加油門時的轉向總量。



**Default setup** is put the hole in middle and the car will become natural steering.  
預設的位置孔位放置於中間，此設定會使車輛的整體的轉向比較中性。

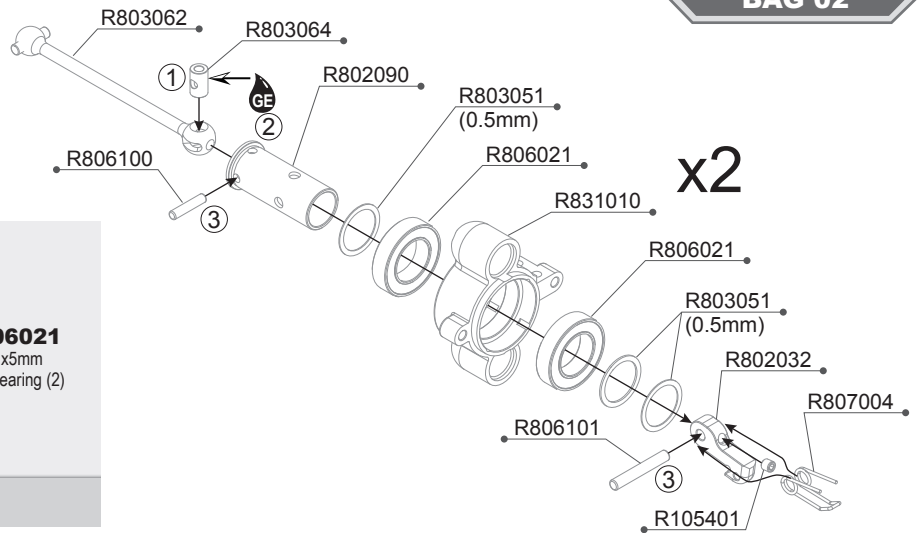
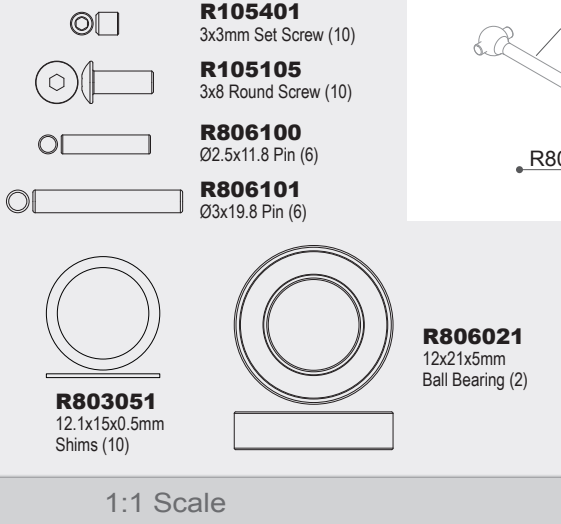


Move the insert hole to inside and front upper arm will become longest, it will reduce the initial steering response and increase exit and on-power steering.  
將孔位朝向內，前上擺臂的長度會變成是最長的設定，此設定可以減少轉向的初期反應，但會增加車輛出彎與加油門時的轉向能力。



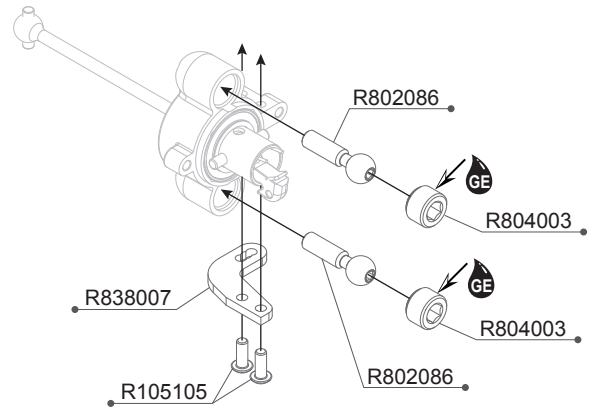
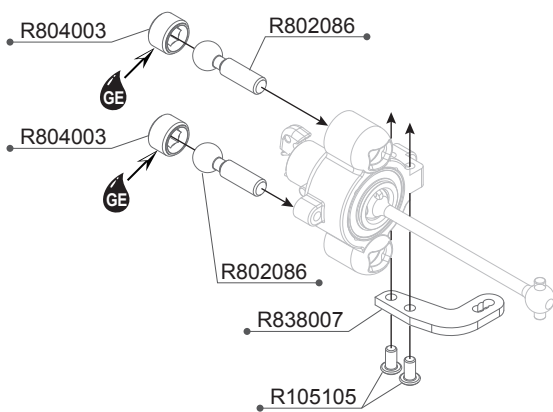
R105104 3x6 Round Screw (10)  
R801023 Suspension Bracket Insert-Open (8)  
R801072 Front Upper Arm (2)  
R801094 C Spacer Set 1mm/2mm/3mm

R803033 Front Upper Arm Pin 3x49  
R805307 3x6mm Set Screw (10)  
R832004 R8.3 Front Upper Arm Base



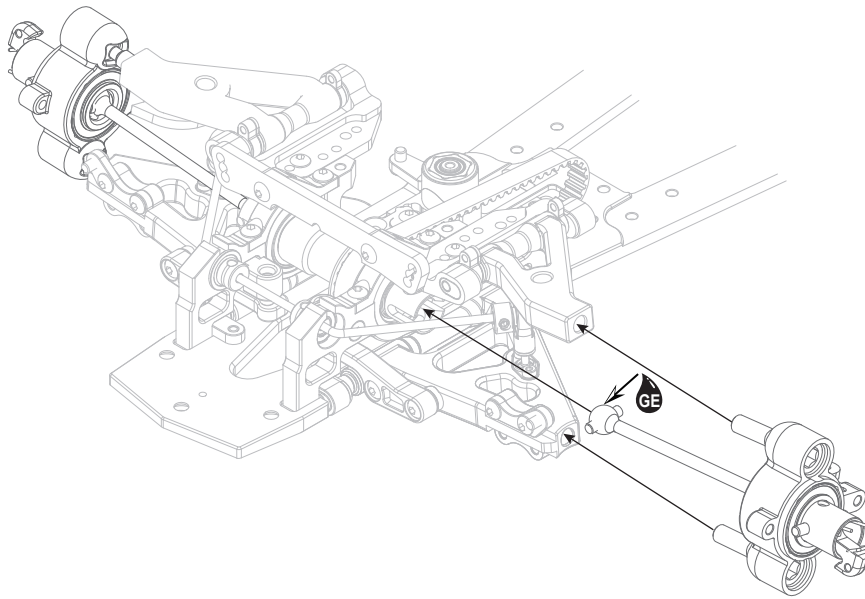
### R8.3 STEERING BLOCK SETUP INSTRUCTION / 前轉向座設定說明

	<p><b>The default setup</b> with 12mm X 21mm ball bearing and the wheel axle in the center, for most track condition. 預設的設定，使用12mm X 21mm的培林，輪軸的位置位於中間，適合大部份的場地。</p>		<p>Using 12X18 ball bearing and wheel axle in center, the small bearing will reduce the weight. 使用12mmX18mm的培林，輪軸位於中間，可以減輕重量。</p>
	<p>The wheel axle backward 1mm, it will create more on-power steering. 輪軸的位置向後1mm，可以加強出彎時加速的轉向能力。</p>		<p>The wheel axle forward 1mm, it will create more off-power steering. 輪軸的位置向前1mm，可以加強入彎未加速時的轉向能力。</p>
	<p>The wheel axle 1mm lower, it will create more steering especially in the apex of corner, useful setup at low grip track or under steering. 輪軸的位置向下1mm，可增加於彎道頂點的轉向能力，適合使用在低抓地力或是轉向不足時。</p>		<p>The wheel axle 1mm higher, it will reduce the steering especially in the apex of corner, useful setup when car is over steering. 輪軸的位置向上1mm，會減少前輪於彎道頂點的轉向能力，適合使用在車輛轉向過度時。</p>



- R105401 3x3mm Set Screw (10)
- R105105 3x8 Round Screw (10)
- R802032 Front Tire Hook (2)
- R802086 7.9mm Ball End Long-Alu (4)
- R802090 Front Wheel Axle - Alu (2)
- R803051 12.1x15x0.5mm Shims (10)
- R803062 Front CVD Shaft (2)
- R803064 CVD Insert (2)

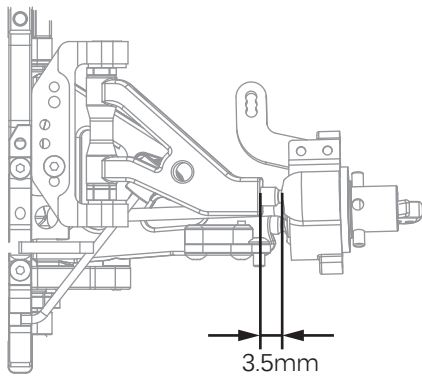
- R804003 7.9mm Ball End Nut (4)
- R806021 12x21x5mm Ball Bearing (2)
- R806100 Pin 2.5x11.8 (6)
- R806101 Pin 3x19.8 (6)
- R807004 Tire Hook Spring (4)
- R831010 R8.3 Steering Block-V2
- R838007 R8.3 Steering Plate (2)



### NOTICE

Front upper arm width setup (UP View)  
前上擺臂寬度的設定 (上視圖)

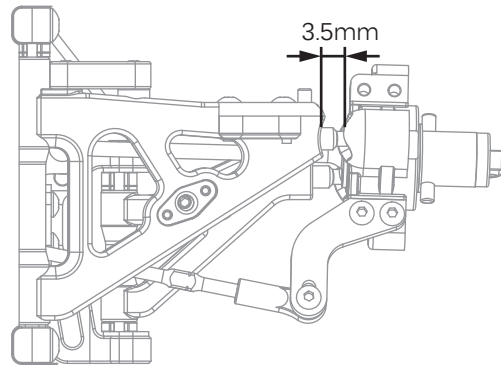
Front track width 252mm / 預設前車寬252mm



### NOTICE

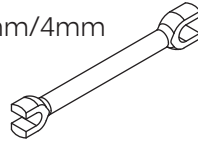
Front low arm width setup (Down View)  
前下擺臂寬度的設定 (下視圖)

Front track width 252mm / 預設前車寬252mm

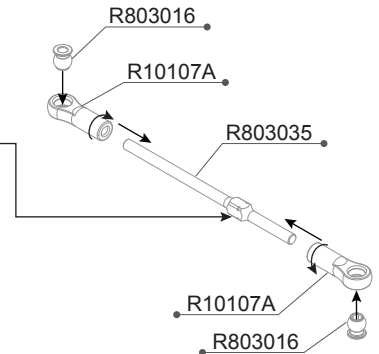
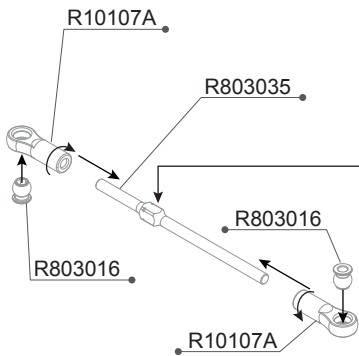
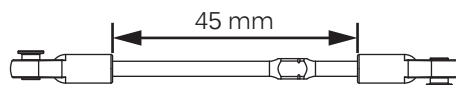


### Recommend Tool / 建議使用工具

TITAN #15006  
Turnbuckle Tool 3mm/4mm



### NOTICE



R10107A Ball Joint 4.9mm Open (6pcs)  
R803016 Ball Head 4.9mm (4)

R803035 3mm X 62mm Rod (2)

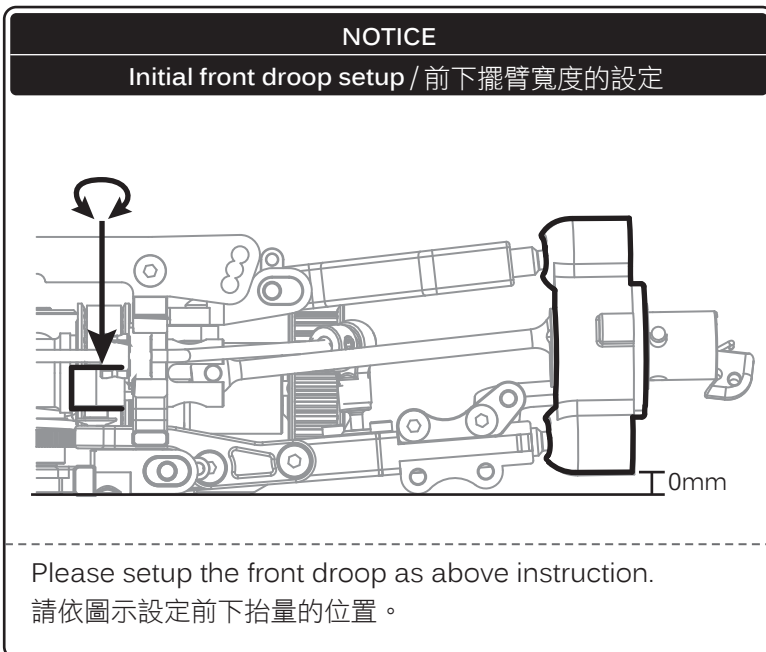
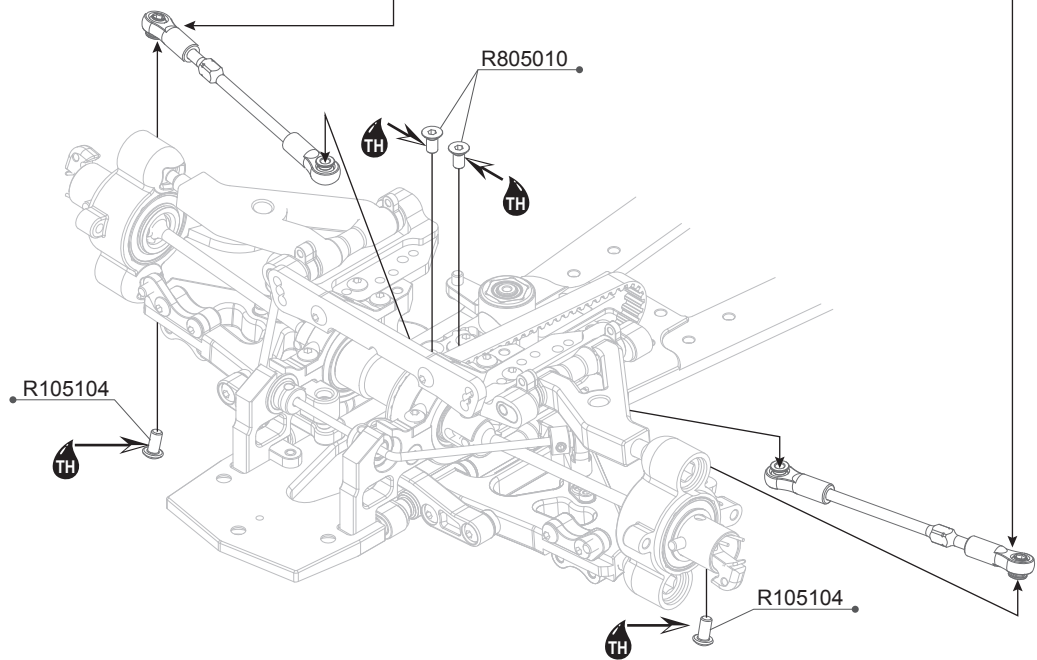
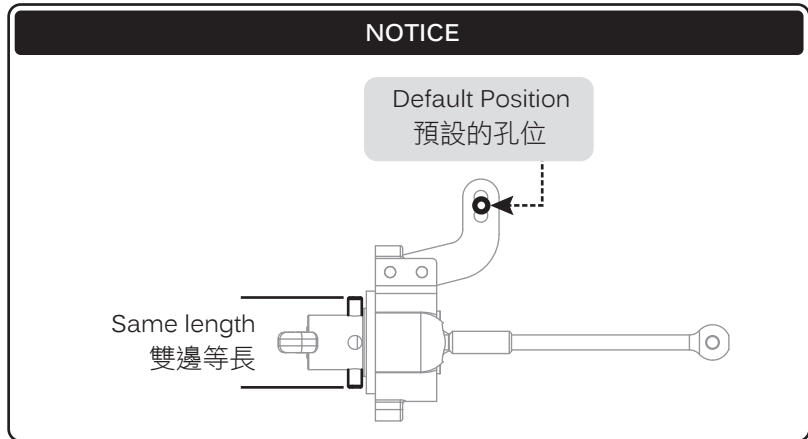


**R105104**  
3x6 Round Screw (10)



**R805010**  
3x5mm Flat Screw (10)

1:1 Scale



R105104 3x6 Round Screw (10)

R805010 3x5mm Flat Screw (10)




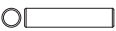


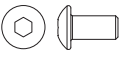

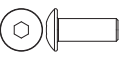
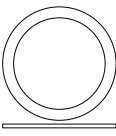
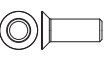
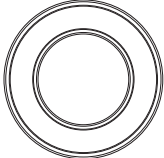




## R8.3E BAG 02 PARTS EXPLORE VIEW



## R8.3E BAG 02 PARTS LIST

R10107A	Ball Joint 4.9mm Open (6pcs)	R803031	Front Low Arm Pin 3x77.8
R102014	3x5.5x1mm Alu Shims(8pcs)	R803033	Front Upper Arm Pin 3x49
R102017	3X5.5X3mm Alu Shims(4pcs)	R803035	3mm X 62mm Rod (2)
R103050	3x5x0.3mm Shims (10)	R803051	12.1x15x0.5mm Shims (10)
R105101	2x5mm Cap Screw (10)	R803062	Front CVD Shaft (2)
R105104	3x6 Round Screw (10)	R803064	CVD Insert (2)
R105105	3x8 Round Screw (10)	R804003	7.9mm Ball End Nut (4)
R105204	3x8mm Flat Screw (10)	R805010	3x5mm Flat Screw (10)
R105401	3x3mm Set Screw (10)	R805307	3x6mm Set Screw (10)
R801015	Front Low Arm Set	R806005	5x10x4 Flange Ball Bearing (2)
R801023	Suspension Bracket Insert-Open (8)	R806021	12x21x5mm Ball Bearing (2)
R801072	Front Upper Arm (2)	R806100	Pin 2.5x11.8 (6)
R801090	Ball End 5.8mm Short (4)	R806101	Pin 3x19.8 (6)
R801094	C Spacer Set 1mm/2mm/3mm	R807004	Tire Hook Spring (4)
R802032	Front Tire Hook (2)	R807015	Front Anti-Roll Bar 2.2mm
R802041	Front Shock Mount S (2)	R823003	Anti-Roll Bar Stopper 2.0-2.4 (2)
R802086	7.9mm Ball End Long-Alu (4)	R831010	R8.3 Steering Block-V2
R802090	Front Wheel Axle - Alu (2)	R832004	R8.3 Front Upper Arm Base
R803014	Anti Roll Bar Ball Head (2)	R832008	R8.3 Front Low Arm Holder (2)
R803015	Anti Roll Bar Ball Screw (2)	R838007	R8.3 Steering Plate (2)
R803016	Ball Head 4.9mm (4)		

## 1:1 SCALE

	R102014 3x5.5x1mm Alu Shims (8)		R105101 2x5mm Cap Screw (10)
	R102017 3x5.5x3mm Alu Shims (4)		R806100 Ø2.5x11.8 Pin (6)
	R103050 3x5x0.3mm Shims (10)		R806101 Ø3x19.8 Pin (6)
	R105104 3x6 Round Screw (10)		R806005 5x10x4mm Flange Ball Bearing (2)
	R105105 3x8 Round Screw (10)		R803051 12.1x15x0.5mm Shims (10)
	R105204 3x8mm Flat Screw (10)		R806021 12x21x5mm Ball Bearing (2)
	R805010 3x5mm Flat Screw (10)		
	R105401 3x3mm Set Screw (10)		
	RR805307 3x6mm Set Screw (10)		

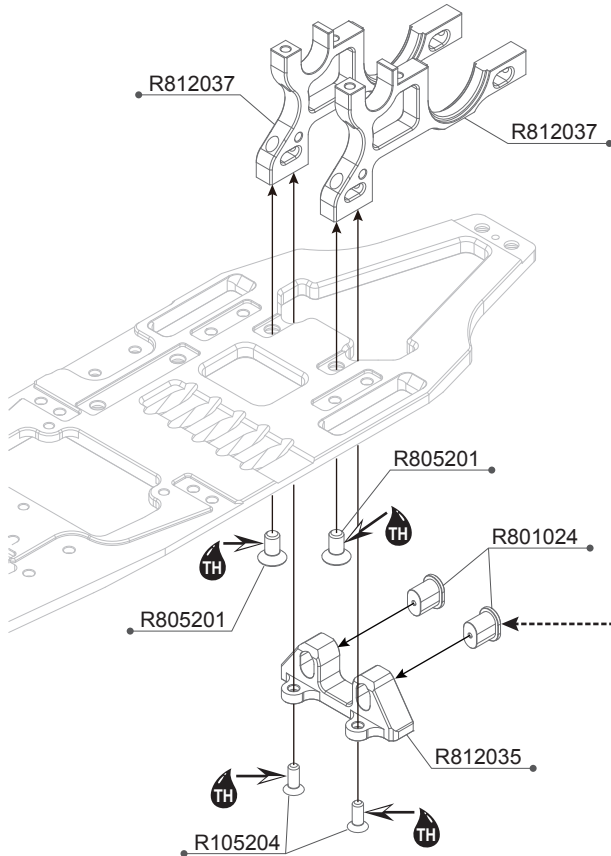
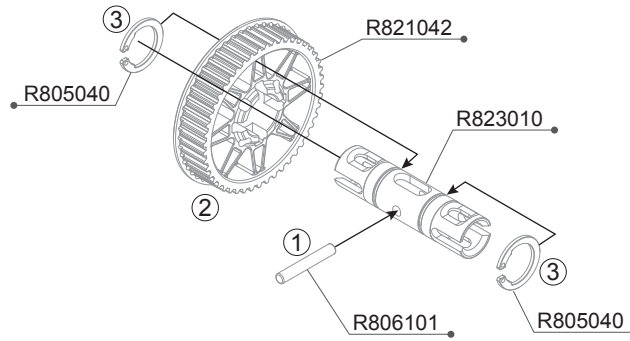
**R105204**  
3x8mm Flat Screw (10)

**R805201**  
4x8mm Flat Screw (10)

**R805040**  
12mm C Clip (6)

**R806101**  
Ø3x19.8 Pin (6)

1:1 Scale



### NOTICE



#### LOW ROLL CENTER / 低的後滾動中心

More initial steering and rear end rolling, and more corner apex traction.

較快的轉向反應與更多的車尾轉動，於彎道頂點時有較多的抓地力。



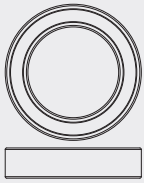
#### HIGH ROLL CENTER (DEFAULT SETUP) 高的後滾動中心(預設位置)

Less initial steering and rear end rolling, and less corner apex traction.

較慢的轉向反應與較少的車尾轉動，於彎道頂點時有較少的抓地力。

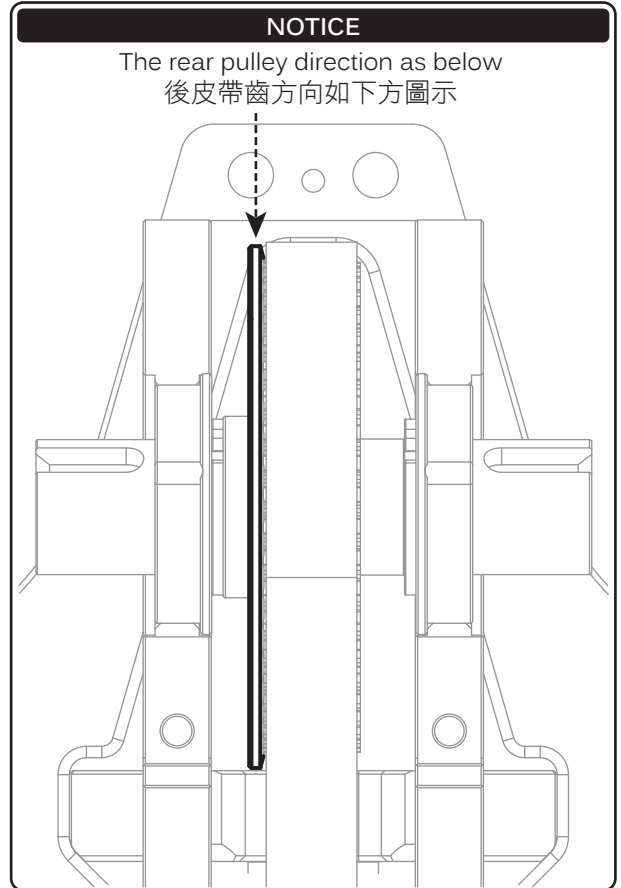
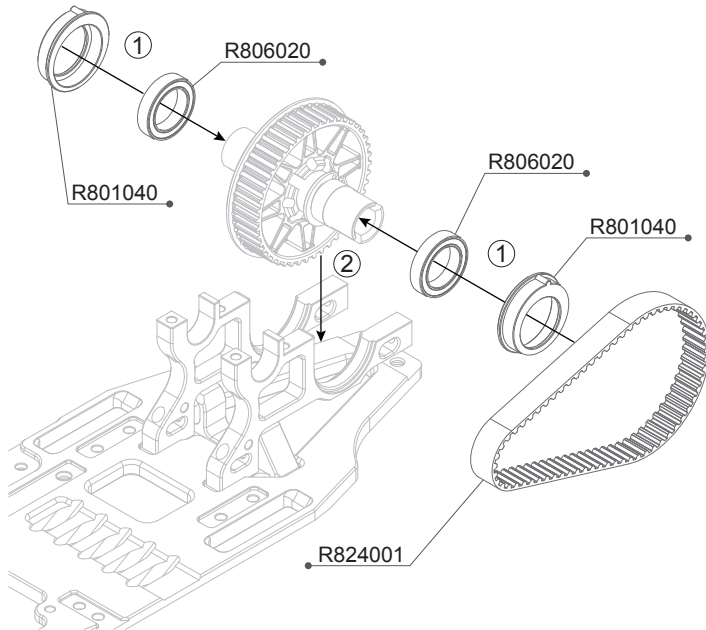
R105204 3x8mm Flat Screw (10)  
R801024 Suspension Bracket Insert-Closed (8)  
R805040 12mm C Clip (6)  
R805201 4x8mm Flat Screw (10)  
R806101 Pin 3x19.8 (6)

R812035 R8.2 Rear Low Arm Bracket RF  
R812037 R8.2 Rear Low Arm Bulkhead  
R823010 R8.2 Rear Solid Axle-Light  
R821042 R8.3 Rear Pulley Set



**R806020**  
12x18x4mm Ball Bearing (4)

1:1 Scale



R801040 Bearing Bushing -Solid Axle (2)  
R806020 12x18x4 Ball Bearing (4)

R824001 204-8mm Rubber Belt



**R105104**  
3x6 Round Screw (10)

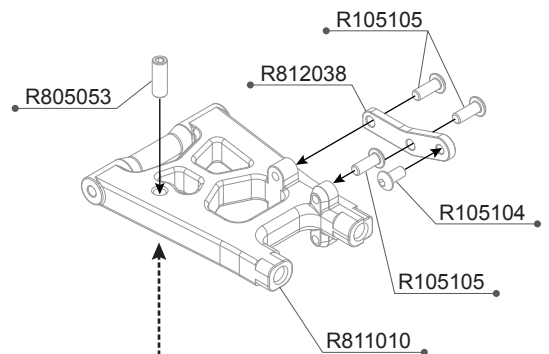
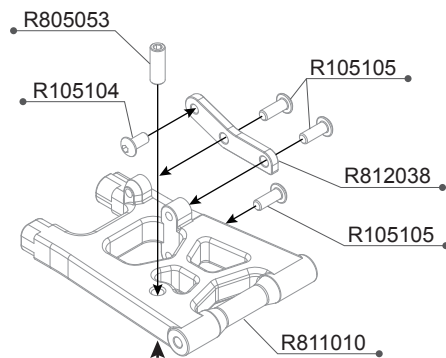


**R105105**  
3x8 Round Screw (10)



**R805053**  
4x10mm Set Screw (10)

1:1 Scale



Option Parts (Not Included) / 改裝品 (未附於套件內)

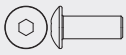
**R813005** Downstop Adjust Screw (4)



R105104 3x6 Round Screw (10)  
R105105 3x8 Round Screw (10)  
R805053 4x10mm Set Screw (10)

R811010 R8.2 Rear Low Arm-Long  
R812038 R8.2 Rear Low Shock Mount (2)



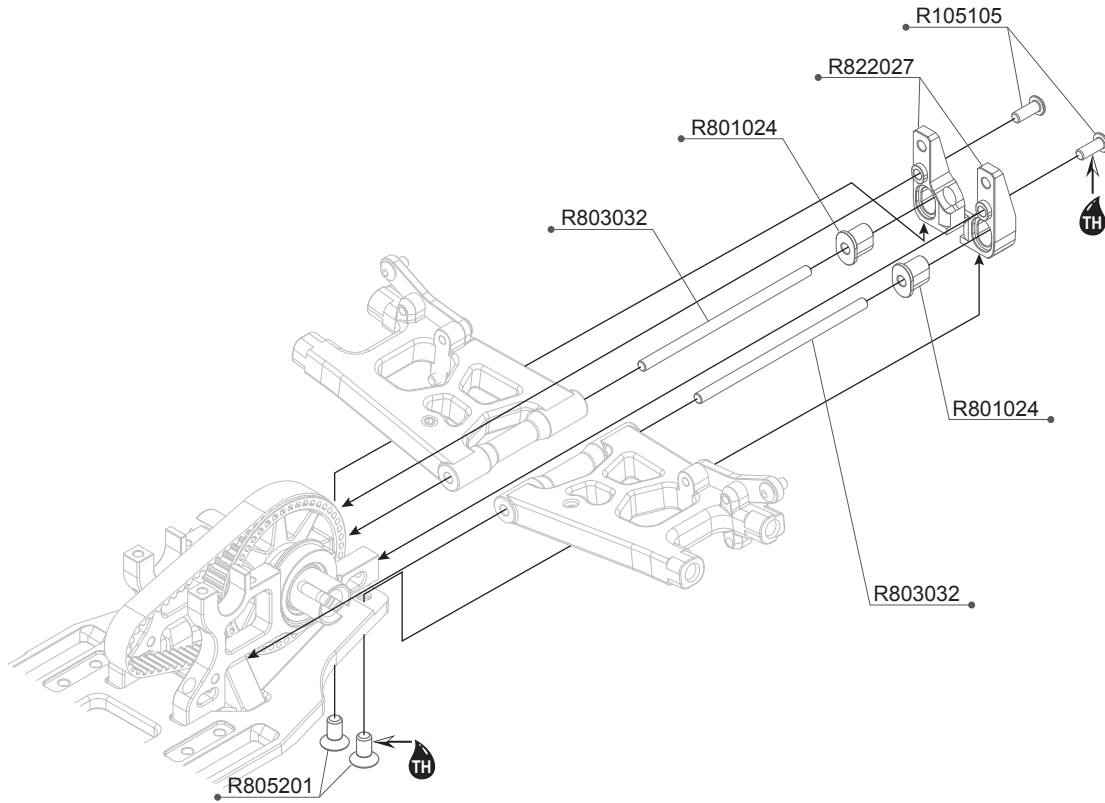


**R105105**  
3x8 Round Screw (10)



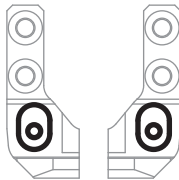
**R805201**  
4x8mm Flat Screw (10)

1:1 Scale



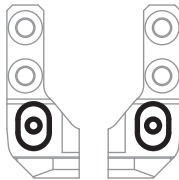
### NOTICE

#### LOW ROLL CENTER / 低的後滾動中心



More initial steering and rear end rolling, and more corner apex traction.  
較快的初期轉向反應與更多的車尾轉動，於彎道頂點時有較多的抓地力。

#### HIGH ROLL CENTER (DEFAULT SETUP) / 高的後滾動中心(預設位置)



Less initial steering and rear end rolling, and less corner apex traction.  
較慢的初期轉向反應與較少的車尾轉動，於彎道頂點時有較少的抓地力。

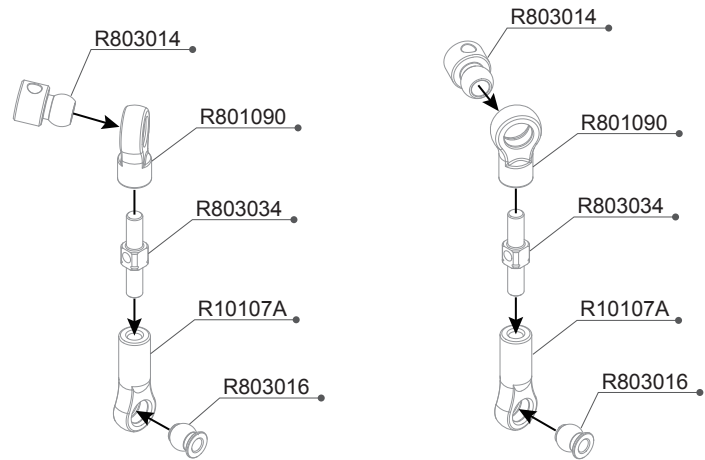
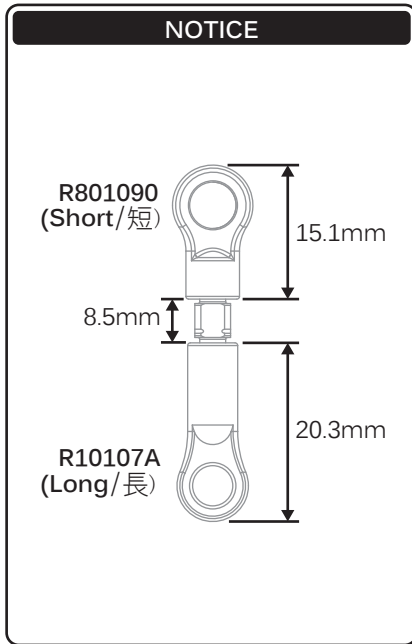
R105105 3x8 Round Screw (10)

R801024 Suspension Bracket Insert-Closed (8)

R803032 Rear Low Arm Pin

R805201 4x8mm Flat Screw (10)

R822027 R8.2 LCG Rear Low Arm Bracket-RR Separated



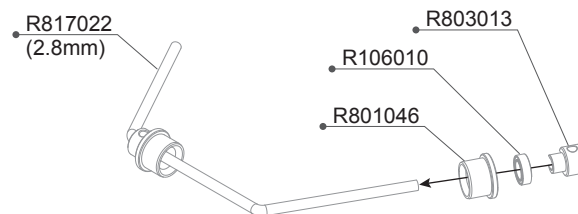
R10107A Ball Joint 4.9mm Open (6pcs)  
 R801090 Ball End 5.8mm (4)  
 R803014 Anti Roll Bar Ball Head (2)

R803016 Ball Head 4.9mm (4)  
 R803034 3mm X 15mm Turnbuckle



**R106010**  
 5x8x2.5mm Ball Bearing (4)

1:1 Scale




Option Parts (Not Included) / 改裝品 (未附於套件內)

**R817020** R8.1 Rear Anti-Roll Bar 3.0mm  
**R817024** R8.1 Rear Anti-Roll Bar 2.6mm

**R817026** R8.1 Rear Anti-Roll Bar 2.4mm

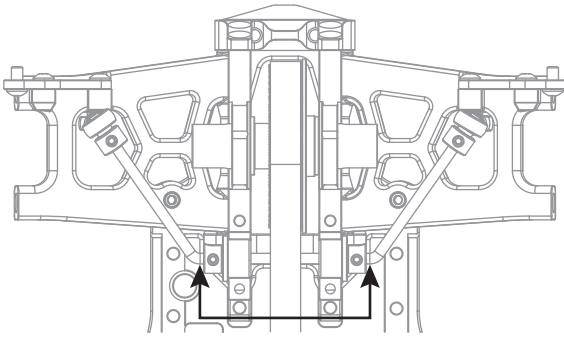
R106010 5x8x2.5mm Ball Bearing (4pcs)  
 R801046 Anti-Roll Bar Bushing -Front (2)

R803013 Anti Roll Bar Stopper (2)  
 R817022 R8.1 Rear Anti-Roll Bar 2.8mm

 **R105401**  
3x3mm Set Screw (10)

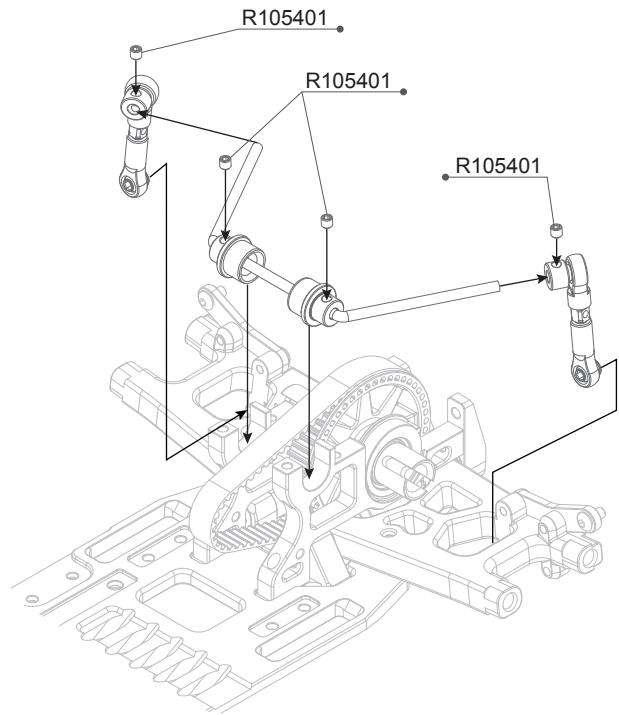
1:1 Scale

### NOTICE



Center the anti roll bar so that the spacing is equal on both sides.

請將後防桿兩邊的間距設定為等寬。

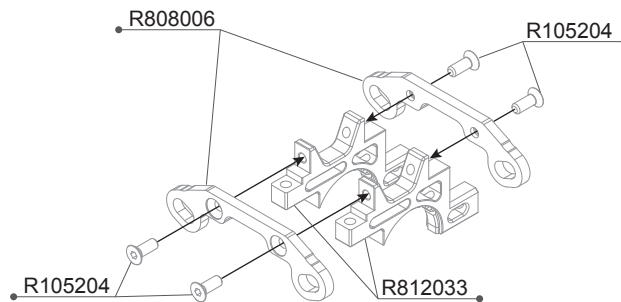


R105401 3x3mm Set Screw (10)



**R105204**  
3x8mm Flat Screw (10)

1:1 Scale



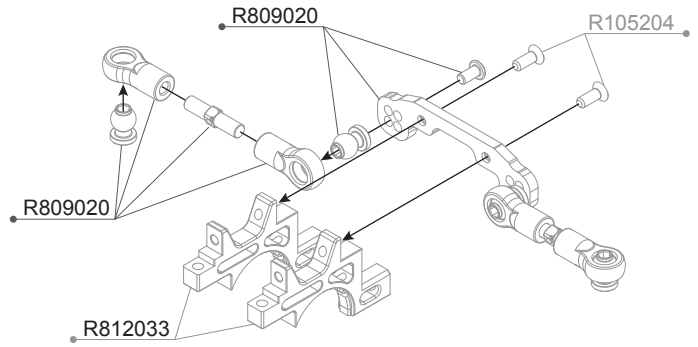
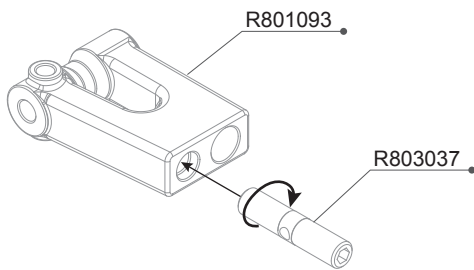
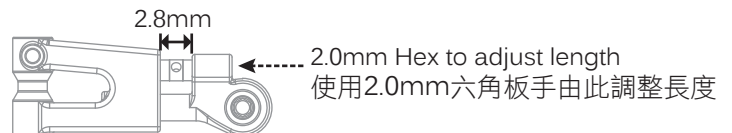
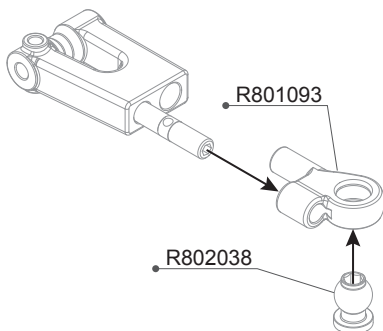
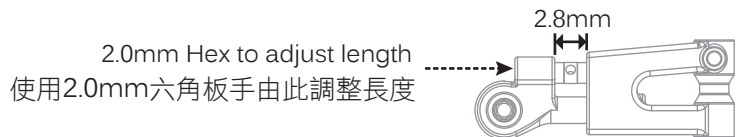
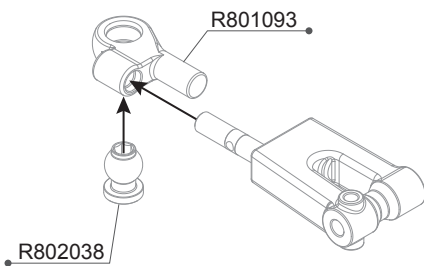
R105204 3x8mm Flat Screw (10)  
R808006 Rear Upper Link Plate

R812033 R8.1 Rear Bulkhead Upper

**Option Parts (Not Included) / 改裝品 (未附於套件內)**
**R809020 R8.0 Rear I-Type Upper Arm Set**

The I-type arm is useful to fine-tune the car. It gives more options to choose different link angles and makes the rear end respond quicker.

一字型的改裝後上擺臂可提供更多不同位置來做變化，並能使車輛的後輪的反應更加靈活。


**Step 1**

**Step 2**


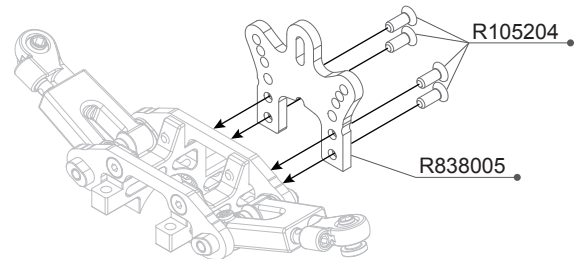
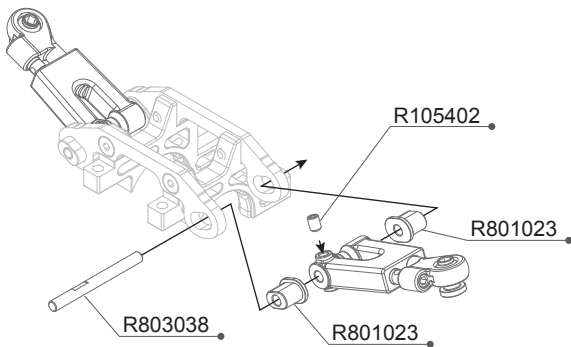
R801093 Rear Upper Arm Set  
R802038 Alu Ball Head 6.8mm (2)

R803037 4mm X 17mm Turnbuckle (2)

**R105402**  
3x4mm Set Screw (10)

**R105204**  
3x8mm Flat Screw (10)

1:1 Scale



### R8.3 REAR UPPER ARM SETUP / R8.3後上擺臂設定表

#### Shortest rear upper arm / 最短的後上擺臂



Rear end have more response in steering and less traction into corner but more traction in apex and exit corner, Using when under-steering into the corner.

車尾在進彎時有較快的反應與較少的抓地力，但是在彎道頂點與出彎時有較多抓地力，適合使用於進彎轉向不足時。

#### Medium rear upper arm / 中間長度的後上擺臂



The rear end response and steering are in balance, for most track.

車尾的反應與抓地力在最平衡的狀態，適合大部份的跑道。

#### Longest rear upper arm / 最長的後上擺臂

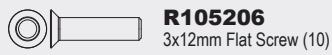
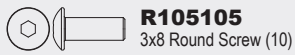


Rear end have less response and more traction into corner but less traction in apex and exit corner, Using when over-steering into the corner.

車尾在進彎時有較慢的反應與較多的抓地力，但是在彎道頂點與出彎時有較少抓地力，適合使用在車輛進彎轉向過度時。

R105204 3x8mm Flat Screw (10)  
R105402 3x4mm Set Screw (10)  
R801023 Suspension Bracket Insert-Open (8)

R803038 Rear Upper Arm Pin 3x32.5 (2)  
R838005 R8.3 Rear Shock Tower

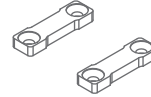
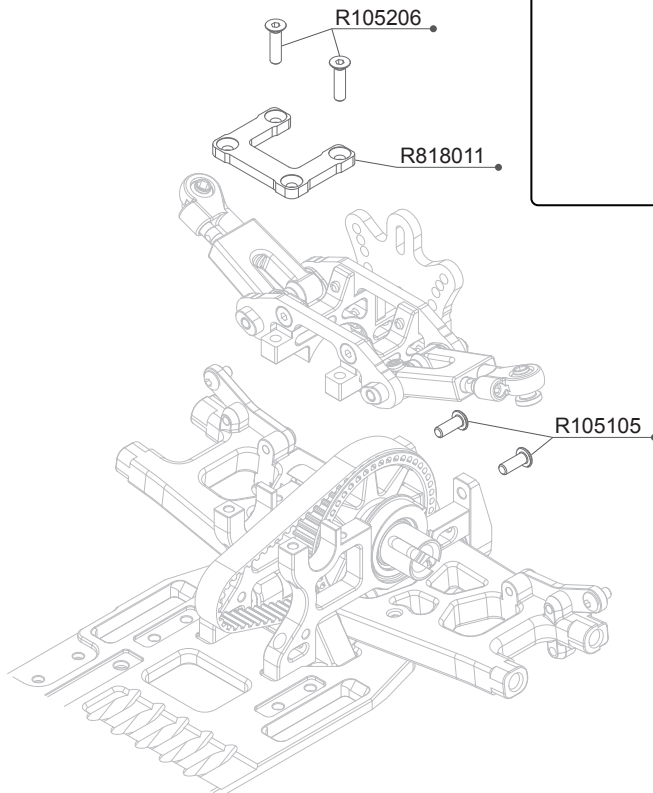
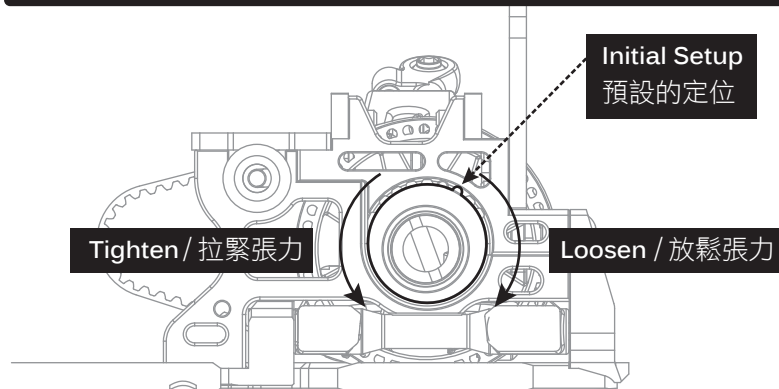


1:1 Scale

**Option Parts (Not Included) / 改裝品 (未附於套件內)**
**R828015 R8.2 Rear Anti-Roll Bar Cover-Flex (2)**

The separated cover allowed more chassis flex in the rear side and make more smooth response.

分離式的上蓋可以使車身後方的扭動較多，使整體反應比較柔順。


**NOTICE**


TO ADJUST BELT TENSION / 請依圖示調整皮帶張力

R105105 3x8 Round Screw (10)  
R105206 3x12mm Flat Screw (10)

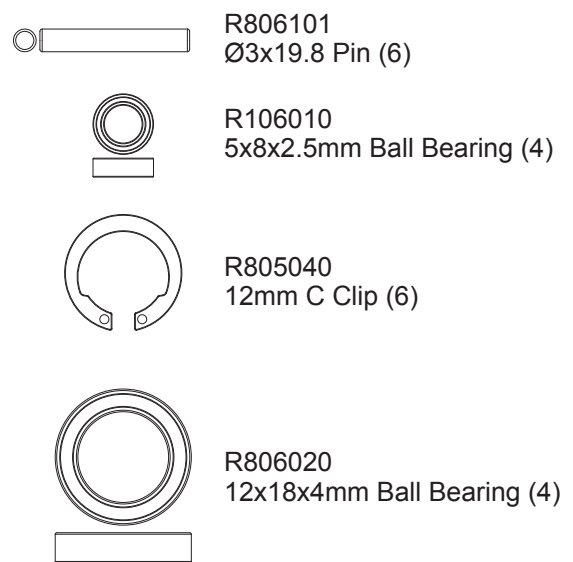
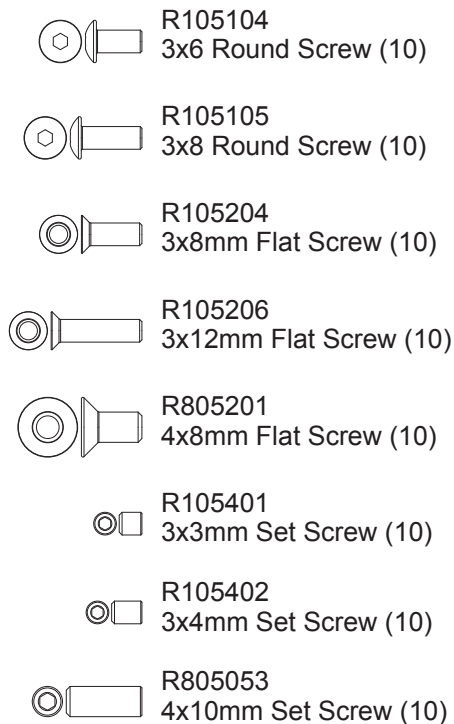
R818011 R8.1 Rear Anit-Roll Bar Cover



## R8.3E BAG 03 PARTS LIST

R10107A	Ball Joint 4.9mm Open (6pcs)	R803038	Rear Upper Arm Pin 3x32.5 (2)
R105104	3x6 Round Screw (10)	R805040	12mm C Clip (6)
R105105	3x8 Round Screw (10)	R805053	4x10mm Set Screw (10)
R105204	3x8mm Flat Screw (10)	R805201	4x8mm Flat Screw (10)
R105206	3x12mm Flat Screw (10)	R806020	12x18x4 Ball Bearing (4)
R105401	3x3mm Set Screw (10)	R806101	Pin 3x19.8 (6)
R105402	3x4mm Set Screw (10)	R808006	Rear Upper Link Plate
R106010	5x8x2.5mm Ball Bearing (4pcs)	R811010	R8.2 Rear Low Arm-Long
R801023	Suspension Bracket Insert-Open (8)	R812033	R8.1 Rear Bulkhead Upper
R801024	Suspension Bracket Insert-Closed (8)	R812035	R8.2 Rear Low Arm Bracket RF
R801040	Bearing Bushing -Solid Axle (2)	R812037	R8.2 Rear Low Arm Bulkhead
R801046	Anti-Roll Bar Bushing -Front (2)	R812038	R8.2 Rear Low Shock Mount (2)
R801090	Ball End 5.8mm (4)	R817022	R8.1 Rear Anti-Roll Bar 2.8mm
R801093	Rear Upper Arm Set	R818011	R8.1 Rear Anit-Roll Bar Cover
R802038	Alu Ball Head 6.8mm (2)	R821042	R8.3 Rear Pulley Set
R803013	Anti Roll Bar Stopper (2)	R822027	R8.2 LCG Rear Low Arm Bracket-RR Separated
R803014	Anti Roll Bar Ball Head (2)	R823010	R8.2 Rear Solid Axle-Light
R803016	Ball Head 4.9mm (4)	R824001	204-8mm Rubber Belt
R803032	Rear Low Arm Pin	R838005	R8.3 Rear Shock Tower
R803034	3mm X 15mm Turnbuckle		
R803037	4mm X 17mm Turnbuckle (2)		

## 1:1 SCALE





**R105401**  
3x3mm Set Screw (10)

**R806100**  
Ø2.5x11.8 Pin (6)

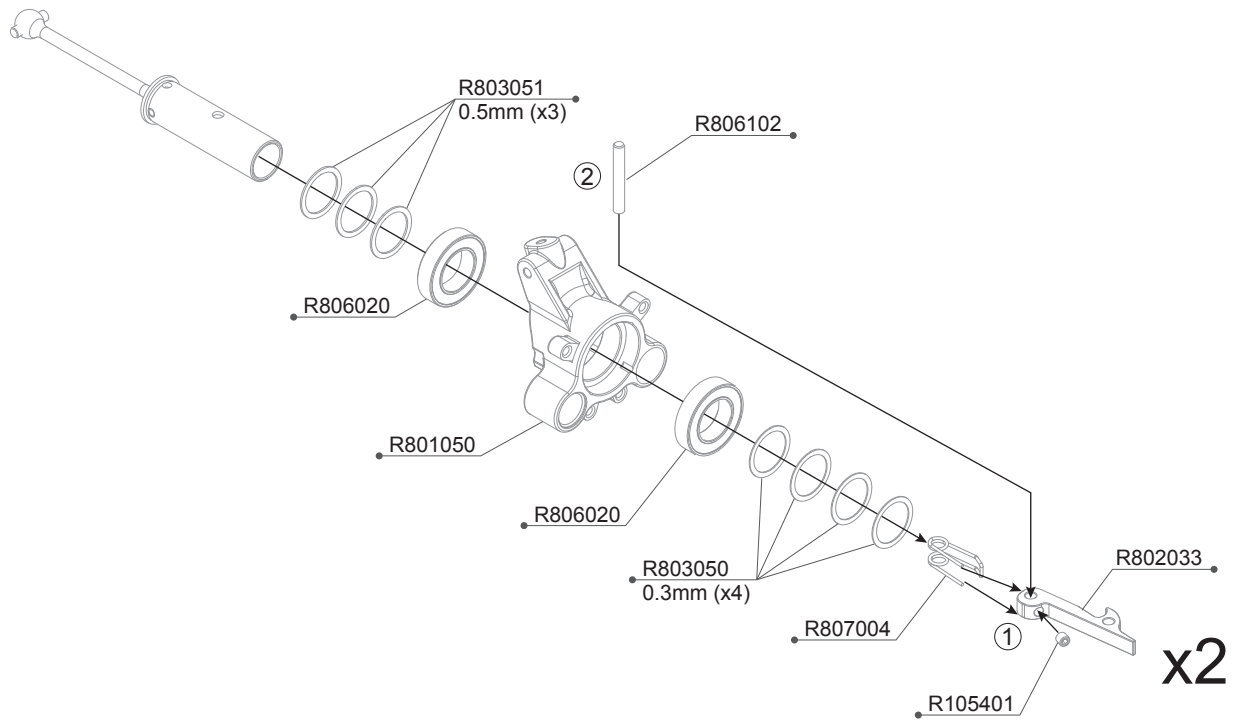
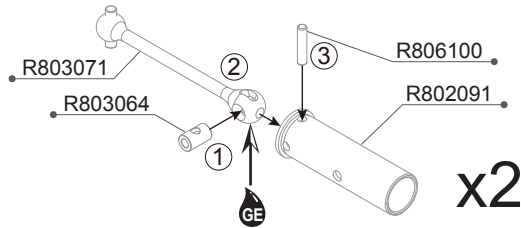
**R806102**  
Ø3x20.8 Pin (6)

**R803050**  
12.1x15x0.3mm Shims (10)

**R803051**  
12.1x15x0.5mm Shims (10)

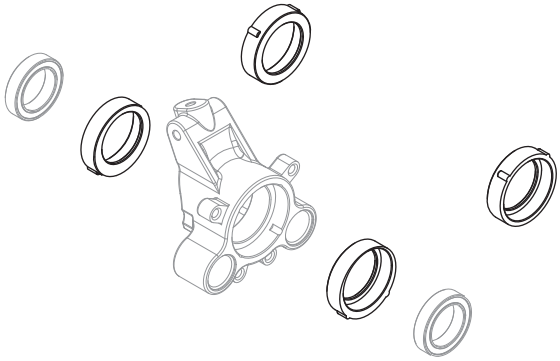
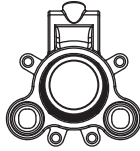
**R806020**  
12x18x4 Ball Bearing (4)

1:1 Scale

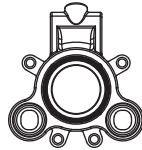


R105401 3x3mm Set Screw (10)  
R801050 Rear Upright  
R802033 Rear Tire Hook (2)  
R802091 Rear Wheel Axle - Alu (2)  
R803050 12.1x15x0.3mm Shims (10)  
R803051 12.1x15x0.5mm Shims (10)

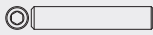
R803064 CVD Insert (2)  
R803071 Rear CVD Shaft (2)  
R806020 12x18x4 Ball Bearing (4)  
R806100 Pin 2.5x11.8 (6)  
R806102 Pin 3x20.8 (6)  
R807004 Tire Hook Spring (4)

**NOTICE**
**#R801043 ECCENTRIC HUB INSTRUCTION / 偏心輪座說明**

**Wheel axle rise 1mm(Default Setup) / 輪軸升高1mm(預設的位置)**


Default setup, it give best overall stability.  
預設的位置，車輛整體的穩定性最佳。

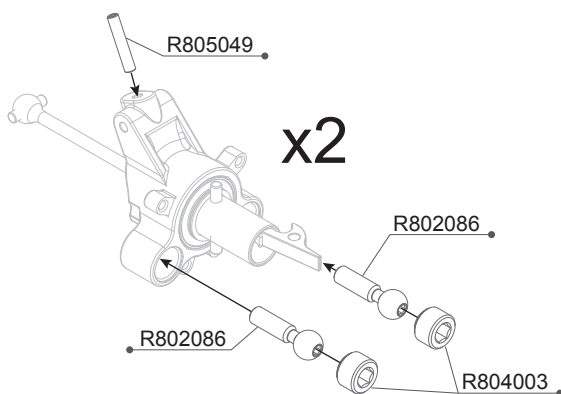
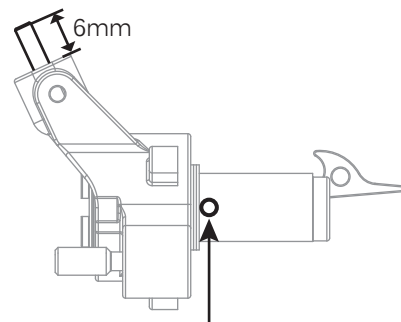
**Wheel axle in center / 輪軸置中**


Rear ride height will increase 1mm, and it increase overall steering .  
後方車高會升高1mm，會增加車輛整體的反應與轉向性。



**R805049**  
3x16mm Set Screw (10)

1:1 Scale


**NOTICE**
**Reserved 6mm / 預留6mm**


Same length both side / 雙邊需等長

R802086 7.9mm Ball End Long-Alu (4)  
R804003 7.9mm Ball End Nut (4)

R805049 3x16mm Set Screw (10)



**R801082**  
3x7x1mm Shims (2)



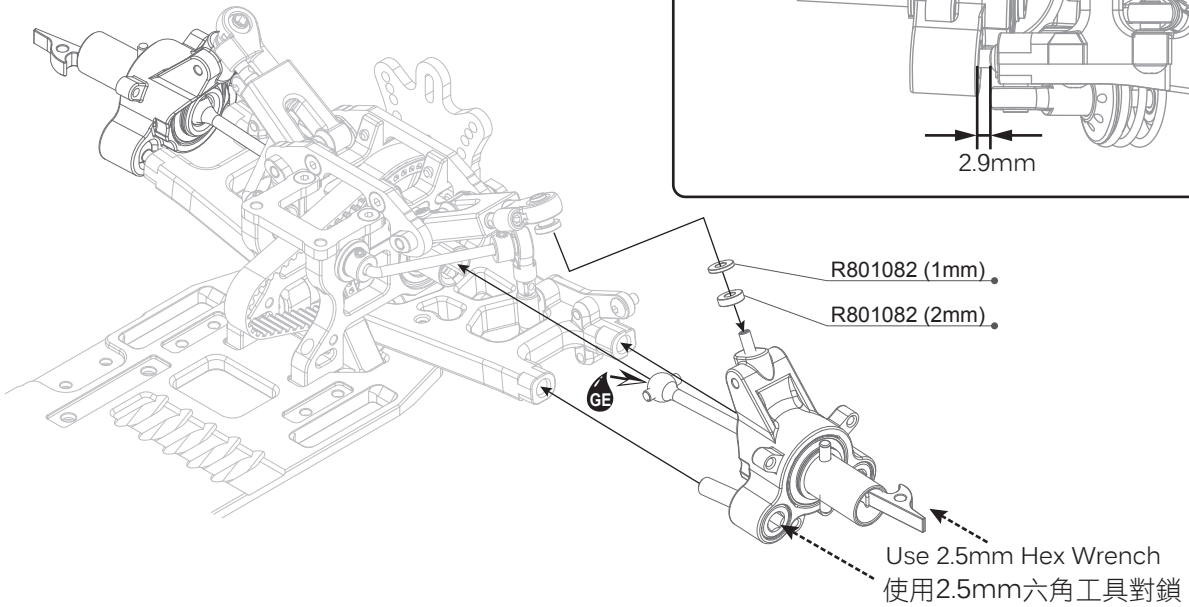
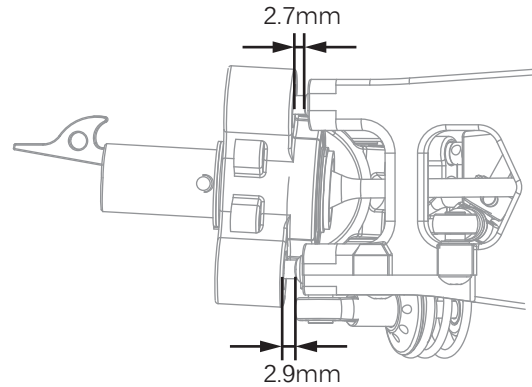
**R801082**  
3x7x2mm Shims (2)

1:1 Scale

**NOTICE**

Rear low arm width setup  
後下擺臂寬度的設定

Rear track width 262mm / 預設後車寬262mm

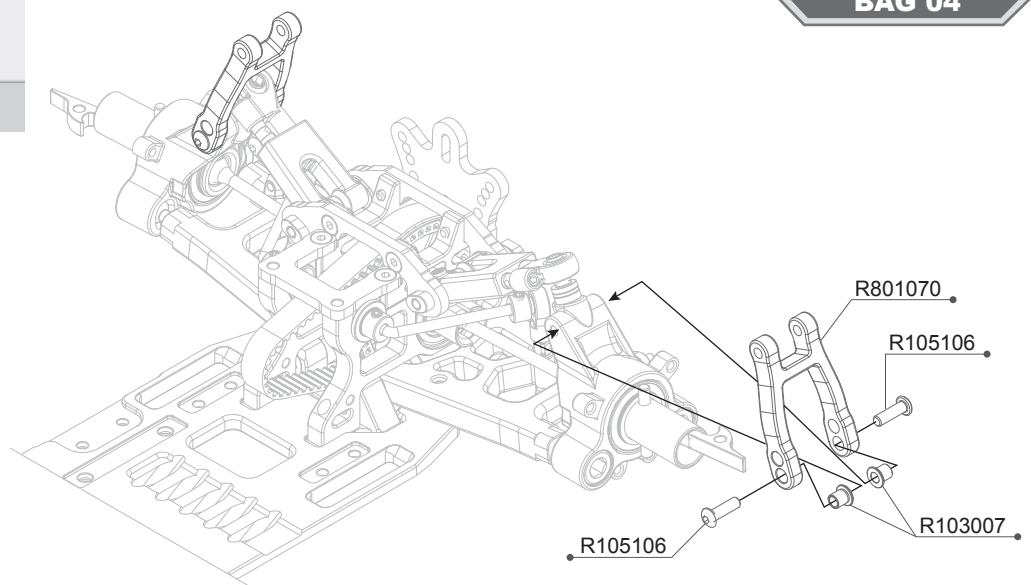


R801082 3x7x1mm & 2mm Shims (2)



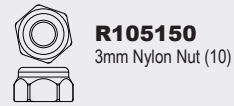
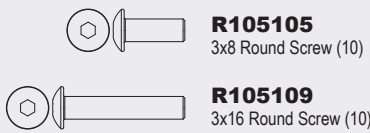
**R105106**  
3x10 Round Screw (10)

1:1 Scale

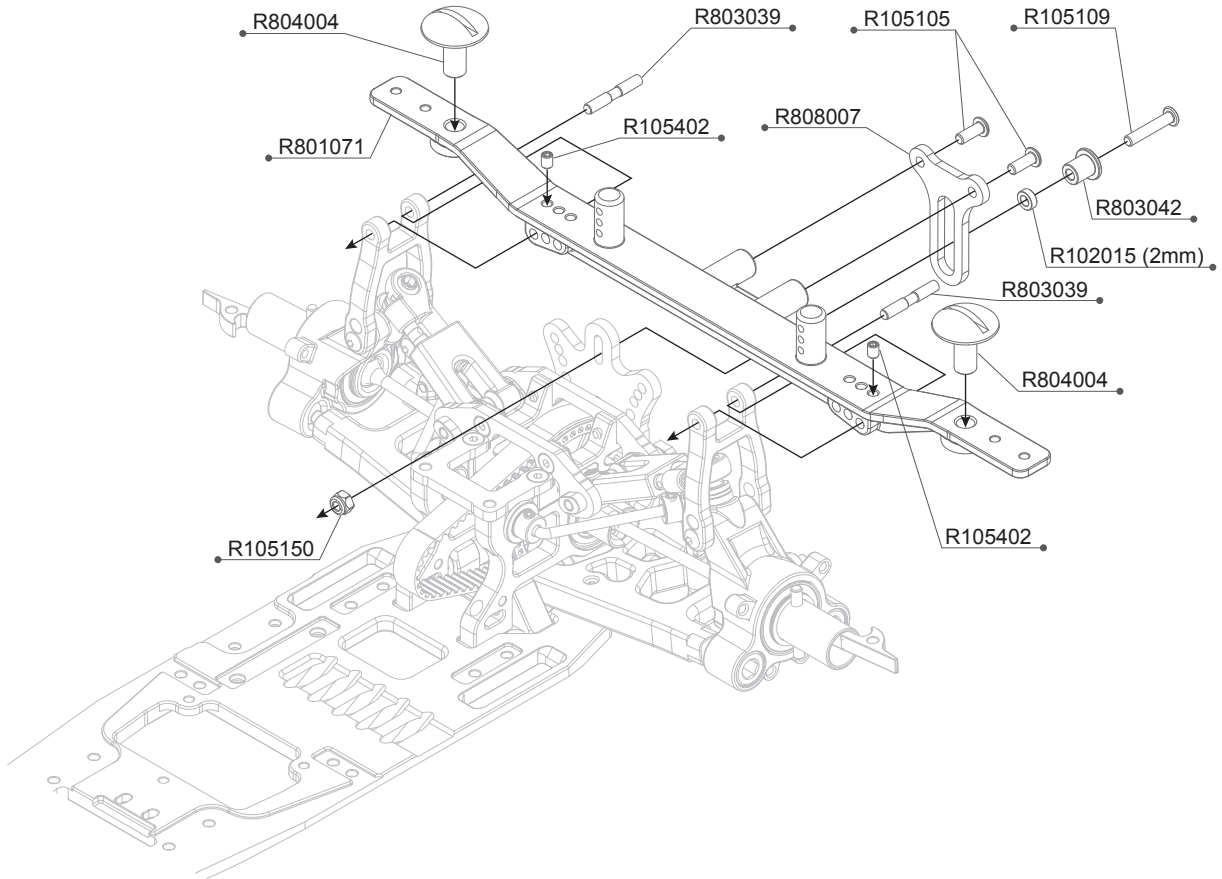


R103007 Steering Block Bushing(4pcs)  
R105106 3x10 Round Screw (10)

R801070 Rear Body Mount Arm (2)



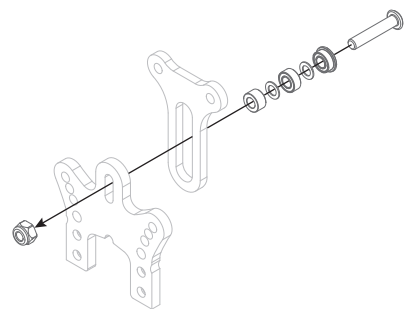
1:1 Scale



### Option Parts (Not Included) / 改裝品 (未附於套件內)

#### **R819001** R8.1 Rear Body Mount Ball Bearing Tower Set

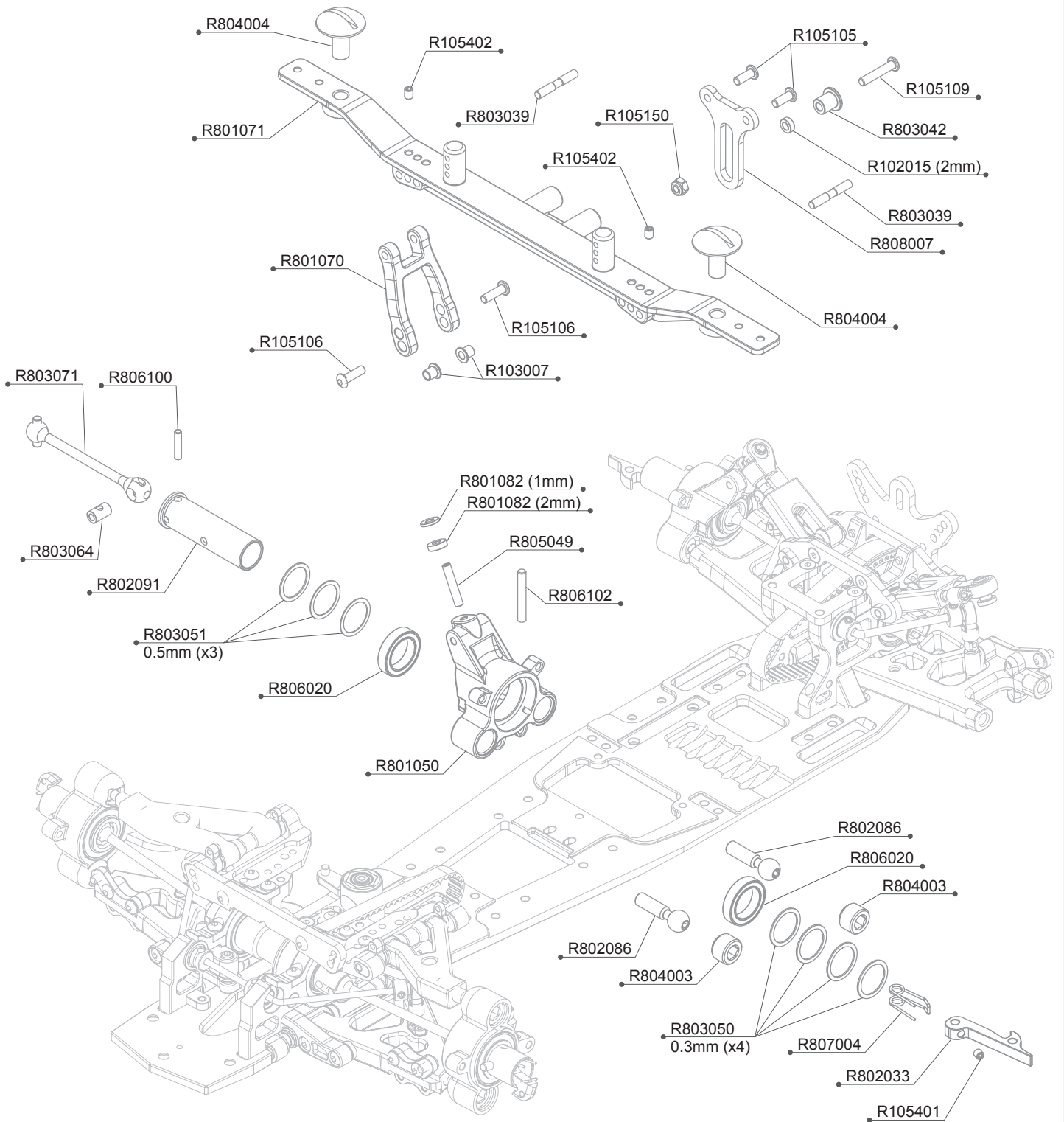
Function: Less friction for rear body tower  
可減少後車殼固定架的磨擦使活動更順暢



R102015 3x5.5x2mm Alu Shims(8pcs)  
R105105 3x8 Round Screw (10)  
R105109 3x16 Round Screw (10)  
R105150 3mm Nylon Nut (10)  
R105402 3x4mm Set Screw (10)

R801071 Rear Body Mount  
R803039 Rear Body Mount Pin 3x19.5 (2)  
R803042 Rear Body Mount Nut  
R804004 Body Mount Screw(4)  
R808007 Rear Body Mount Plate




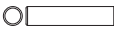

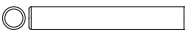



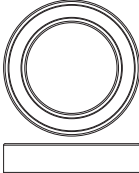
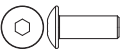
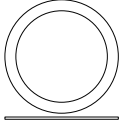
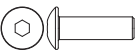
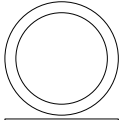
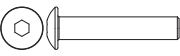
## R8.3E BAG 04 PARTS EXPLORE VIEW



## R8.3E BAG 04 PARTS LIST

R102015	3x5.5x2mm Alu Shims(8pcs)	R803039	Rear Body Mount Pin 3x19.5 (2)
R103007	Steering Block Bushing(4pcs)	R803042	Rear Body Mount Nut
R105105	3x8 Round Screw (10)	R803050	12.1x15x0.3mm Shims (10)
R105106	3x10 Round Screw (10)	R803051	12.1x15x0.5mm Shims (10)
R105109	3x16 Round Screw (10)	R803064	CVD Insert (2)
R105150	3mm Nylon Nut (10)	R803071	Rear CVD Shaft (2)
R105401	3x3mm Set Screw (10)	R804003	7.9mm Ball End Nut (4)
R105402	3x4mm Set Screw (10)	R804004	Body Mount Screw(4)
R801050	Rear Upright	R805049	3x16mm Set Screw (10)
R801070	Rear Body Mount Arm (2)	R806020	12x18x4 Ball Bearing (4)
R801071	Rear Body Mount	R806100	Pin 2.5x11.8 (6)
R801082	3x7x1mm & 2mm Shims (2)	R806102	Pin 3x20.8 (6)
R802033	Rear Tire Hook (2)	R807004	Tire Hook Spring (4)
R802086	7.9mm Ball End Long-Alu (4)	R808007	Rear Body Mount Plate
R802091	Rear Wheel Axle - Alu (2)		

### 1:1 SCALE

	R102015 3x5.5x2mm Alu Shims (8)		R805049 3x16mm Set Screw (10)
	R801082 3x7x1mm & 2mm Shims (2)		R806100 Ø2.5x11.8 Pin (6)
	R801082 3x7x1mm & 2mm Shims (2)		R806102 Ø3x20.8 Pin (6)
	R105401 3x3mm Set Screw (10)		R105150 3mm Nylon Nut (10)
	R105402 3x4mm Set Screw (10)		R806020 12x18x4mm Ball Bearing (4)
	R105105 3x8 Round Screw (10)		R803050 12.1x15x0.3mm Shims (10)
	R105106 3x10 Round Screw (10)		R803051 12.1x15x0.5mm Shims (10)
	R105109 3x16 Round Screw (10)		



**R105203**  
3x6mm Flat Screw (10)



**R805050**  
4x4mm Set Screw (10)

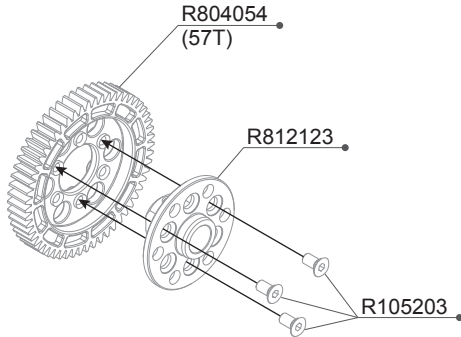


**R806111**  
Ø3x11.8 Pin (6)

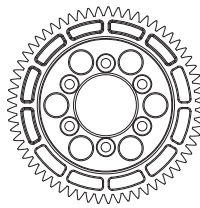


**R805046**  
E-Clip 7mm (6)

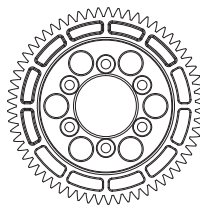
1:1 Scale



**Option Parts (Not Included)**  
/ 改装品 (未附於套件內)

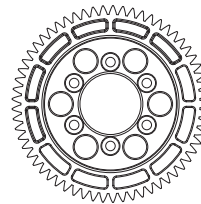
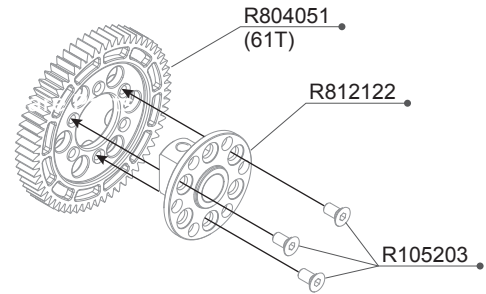


**R804053**  
2nd Spur 56T

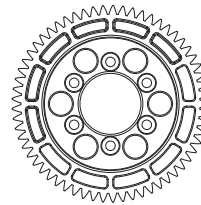


**R804055**  
2nd Spur 58T

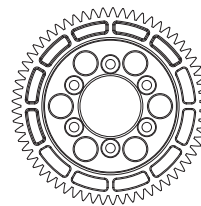
**Option Parts (Not Included)**  
/ 改装品 (未附於套件內)



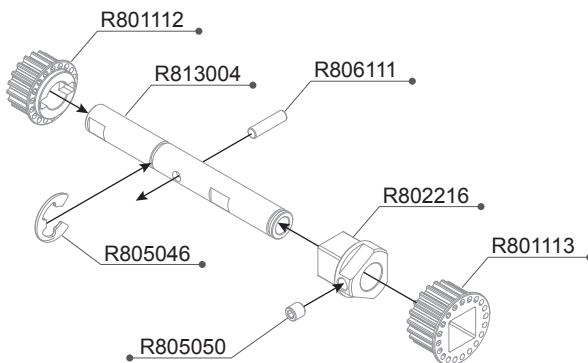
**R804050**  
1st Spur 60T



**R804051**  
1st Spur 61T

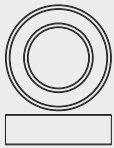


**R804052**  
1st Spur 62T



R105203 3x6mm Flat Screw (10)  
R801112 Pulley Set -Middle  
R801113 Pulley Set -Rear  
R802216 Pulley Adaptor  
R804054 2nd Spur 57T

R805046 E-Clip 7mm (6)  
R805050 4x4mm Set Screw (10)  
R806111 Pin 3x11.8 (6)  
R812123 Spur Adaptor 2nd Speed  
R813004 R8.1E Main Shaft



**R806011**  
8x14x4 Ball Bearing (2)



**R805046**  
E-Clip 7mm (6)

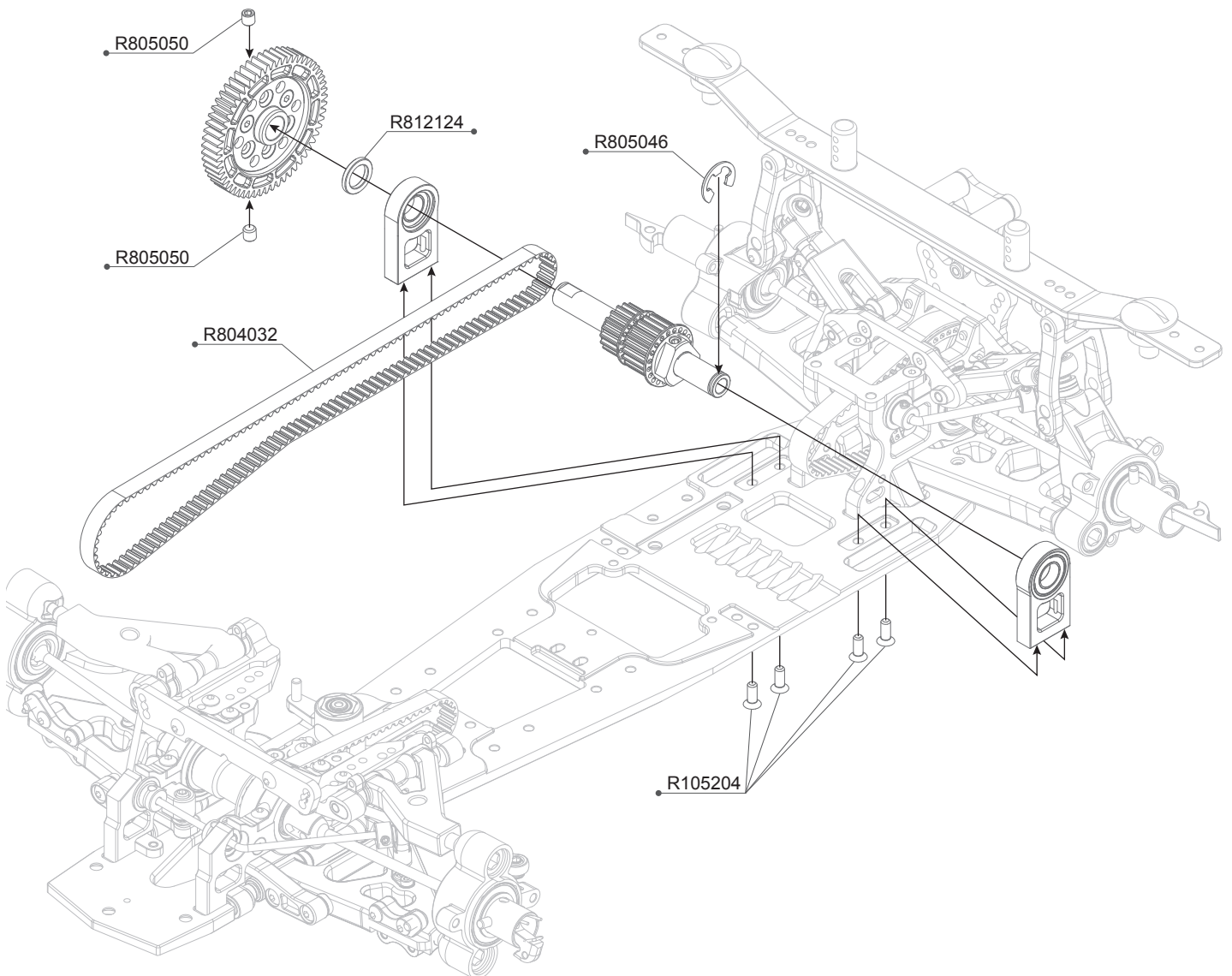
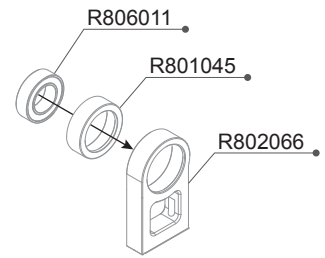
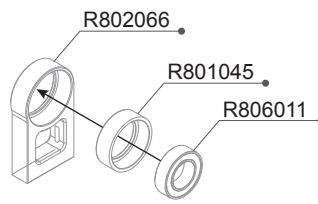


**R805050**  
4x4mm Set Screw (10)



**R105204**  
3x8mm Flat Screw (10)

1:1 Scale



- R105204 3x8mm Flat Screw (10)
- R801045 Bearing Bushing -Main Shaft (2)
- R802066 2-Speed Shaft Bracket-High L
- R804032 Middle Belt 435

- R805046 E-Clip 7mm (6)
- R805050 4x4mm Set Screw (10)
- R806011 8x14x4 Ball Bearing (2)
- R812124 8x12x1.6mm Alu Shims (2)



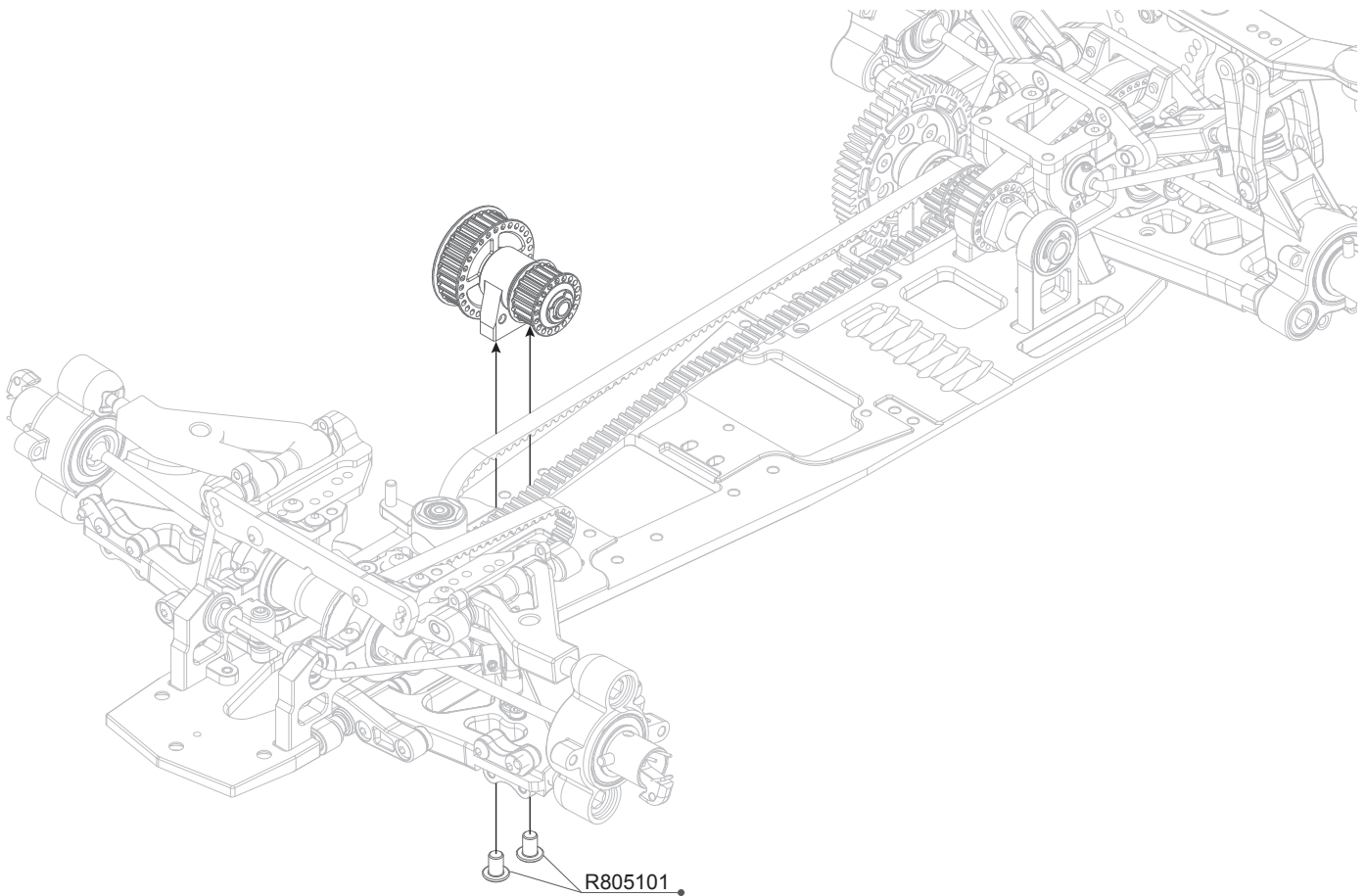
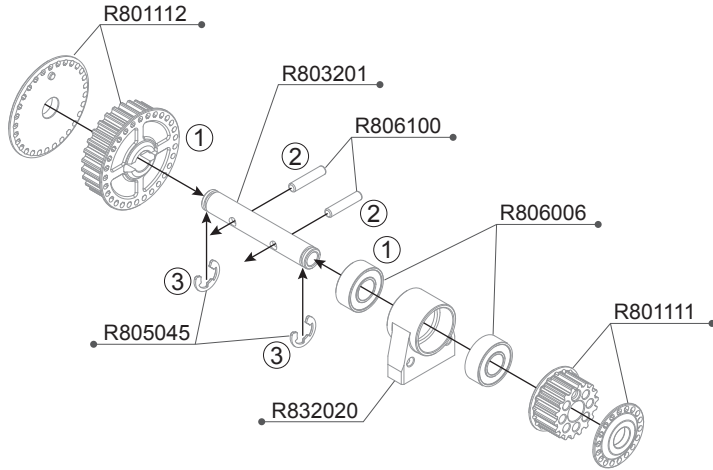

**R805045**  
E-Clip 5mm (6)

**R805101**  
4x6 Round Screw (10)

**R806100**  
Ø2.5x11.8 Pin (6)

**R806006**  
6x13x5 Ball Bearing (2)

1:1 Scale



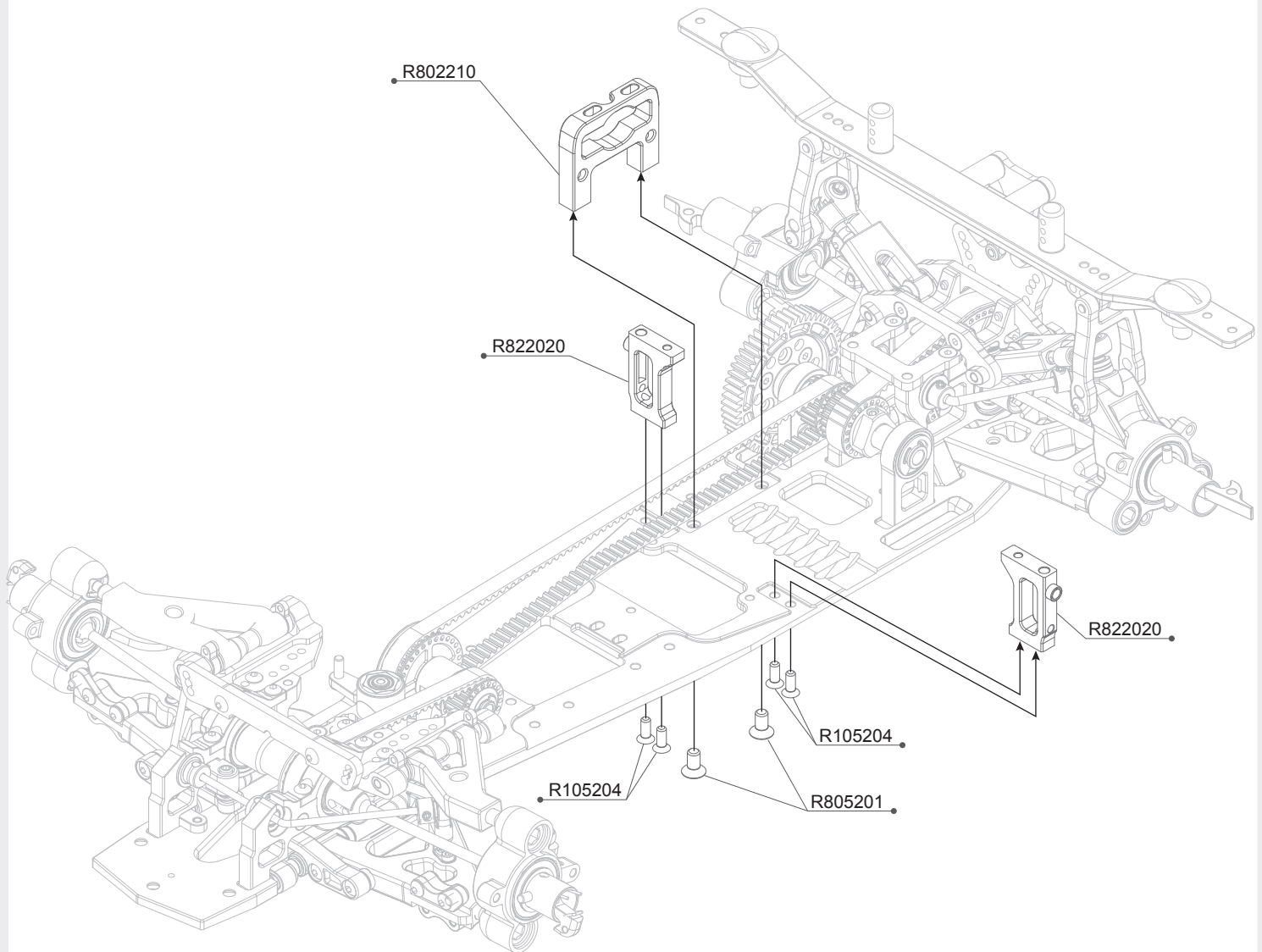
R801111 Pulley Set -Front  
 R801112 Pulley Set -Middle  
 R803201 R8.0E Middle Shaft  
 R805045 E-Clip 5mm (6)

R805101 4x6 Round Screw (10)  
 R806006 6x13x5 Ball Bearing (2)  
 R806100 Pin 2.5x11.8 (6)  
 R832020 R8.3E Middle Shaft Base

 **R105204**  
3x8mm Flat Screw (10)

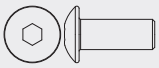
 **R805201**  
4x8mm Flat Screw (10)

1:1 Scale

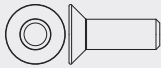


R105204 3x8mm Flat Screw (10)  
R802210 R8.0E Motor Bulkhead

R805201 4x8mm Flat Screw (10)  
R822020 R8.2 LCG Center Bulkhead



**R805103**  
4x10 Round Screw (10)

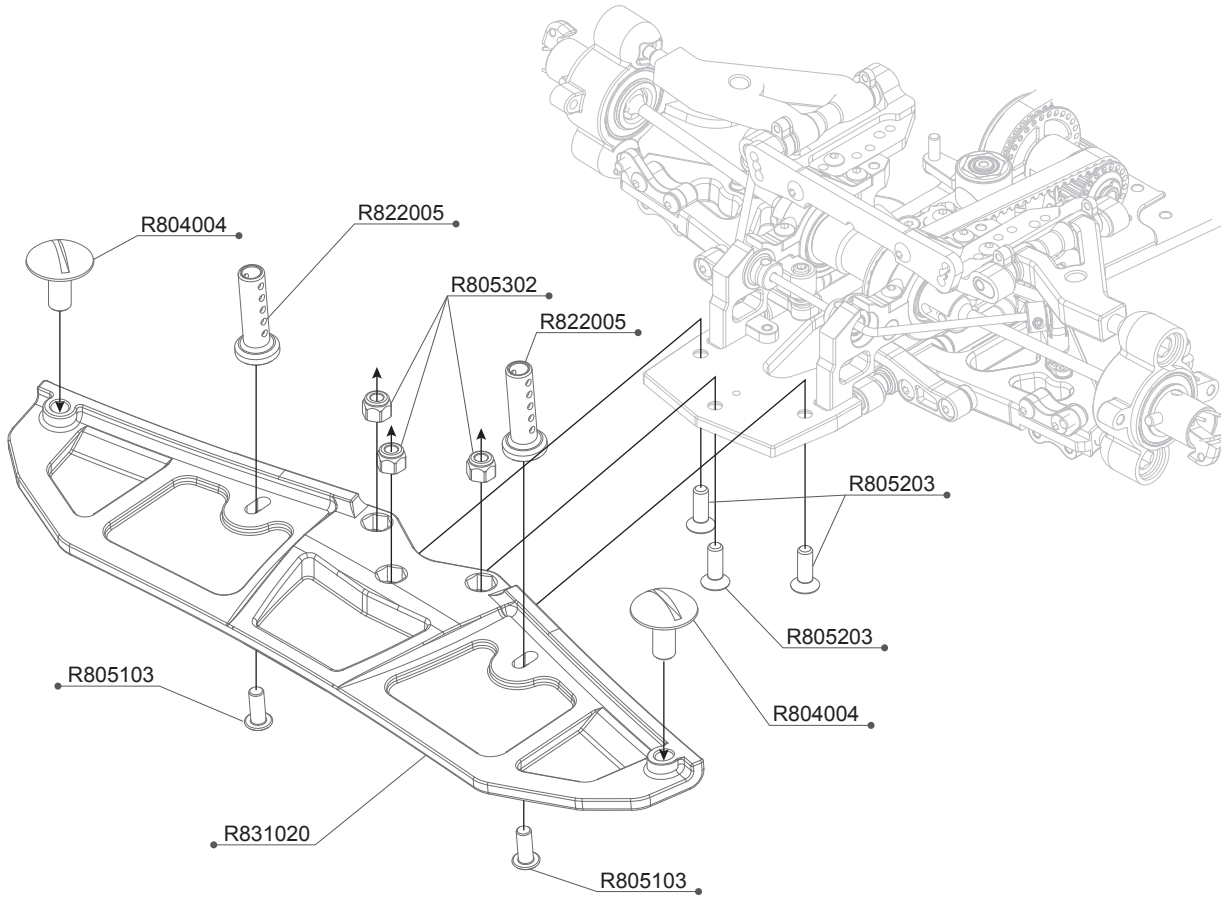


**R805203**  
4x12mm Flat Screw (10)



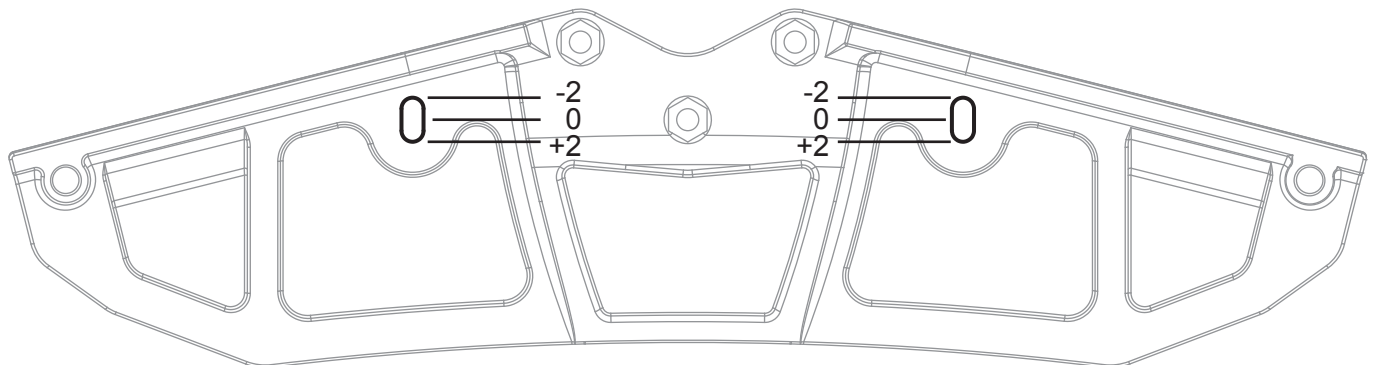
**R805302**  
4mm Nylon Nut (10)

1:1 Scale



### NOTICE

The front body tower is able to move 4mm for fine tune the body-shell position, recommend to start from position 0.  
前車殼支柱共有4mm的距離可用來微調車殼的位置，建議由圖示中的0做為起啟位置。



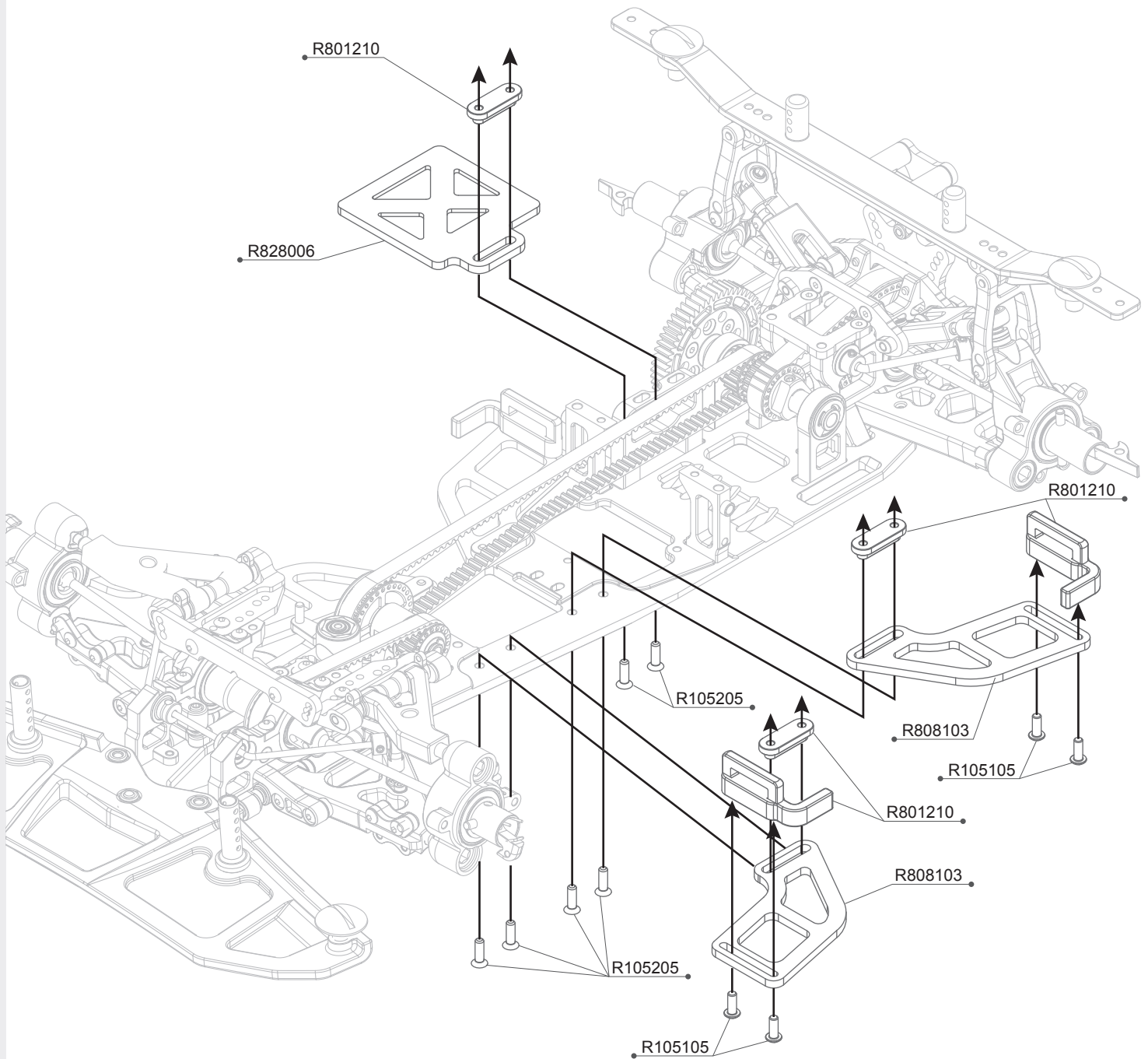
R804004 Body Mount Screw(4)  
R805103 4x10 Round Screw (10)  
R805203 4x12mm Flat Screw (10)

R805302 4mm Nylon Nut (10)  
R822005 1/8 On-Road Car Front Body Tower (Alu) (2)  
R831020 R8.3 Light Weight Bumper Set

**R105105**  
3x8 Round Screw (10)

**R105205**  
3x10mm Flat Screw (10)

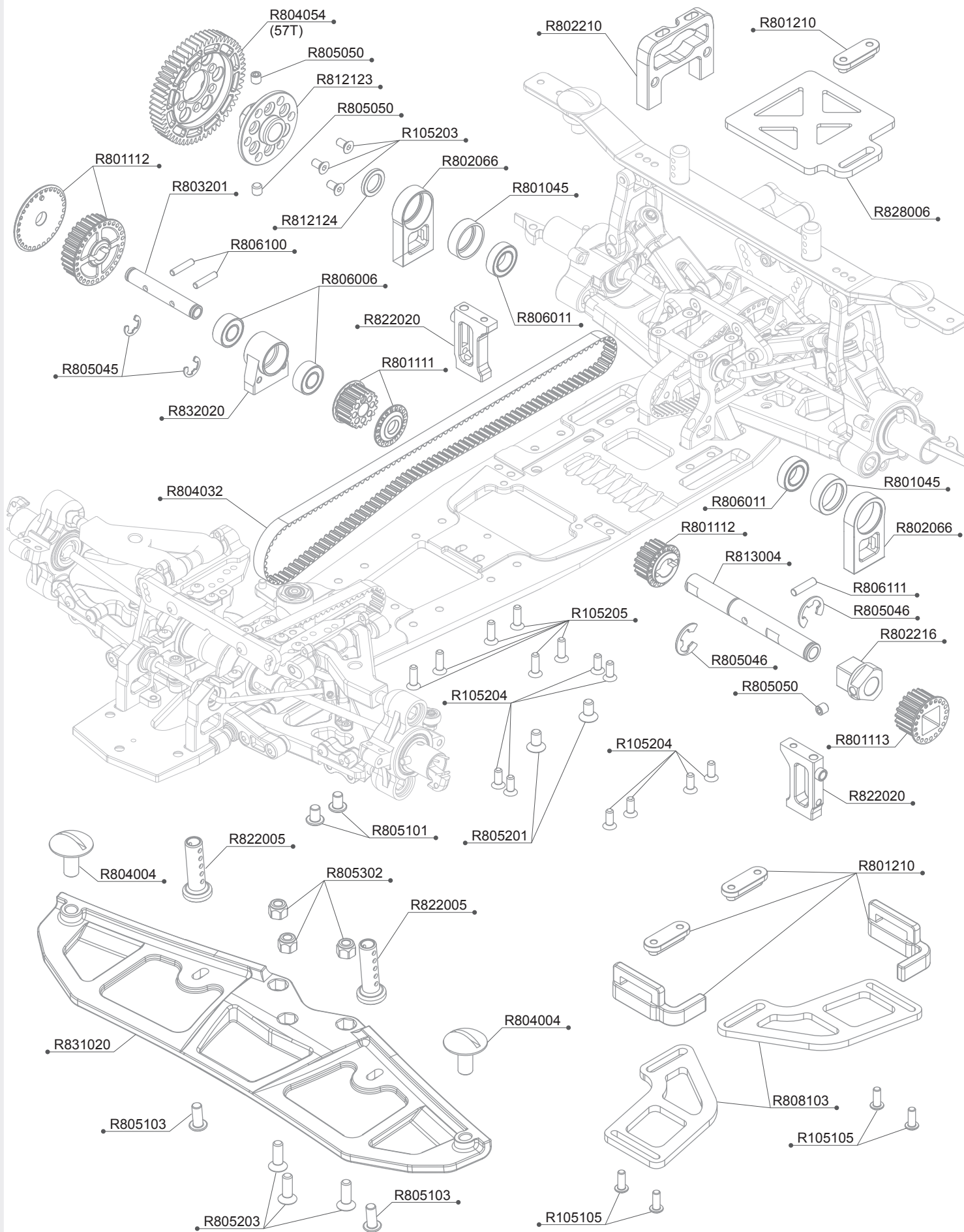
1:1 Scale



R105105 3x8 Round Screw (10)  
R105205 3x10mm Flat Screw (10)  
R801210 Battery Mount

R808103 Battery Holder Carbon (2)  
R828006 R8.3E ESC Plate

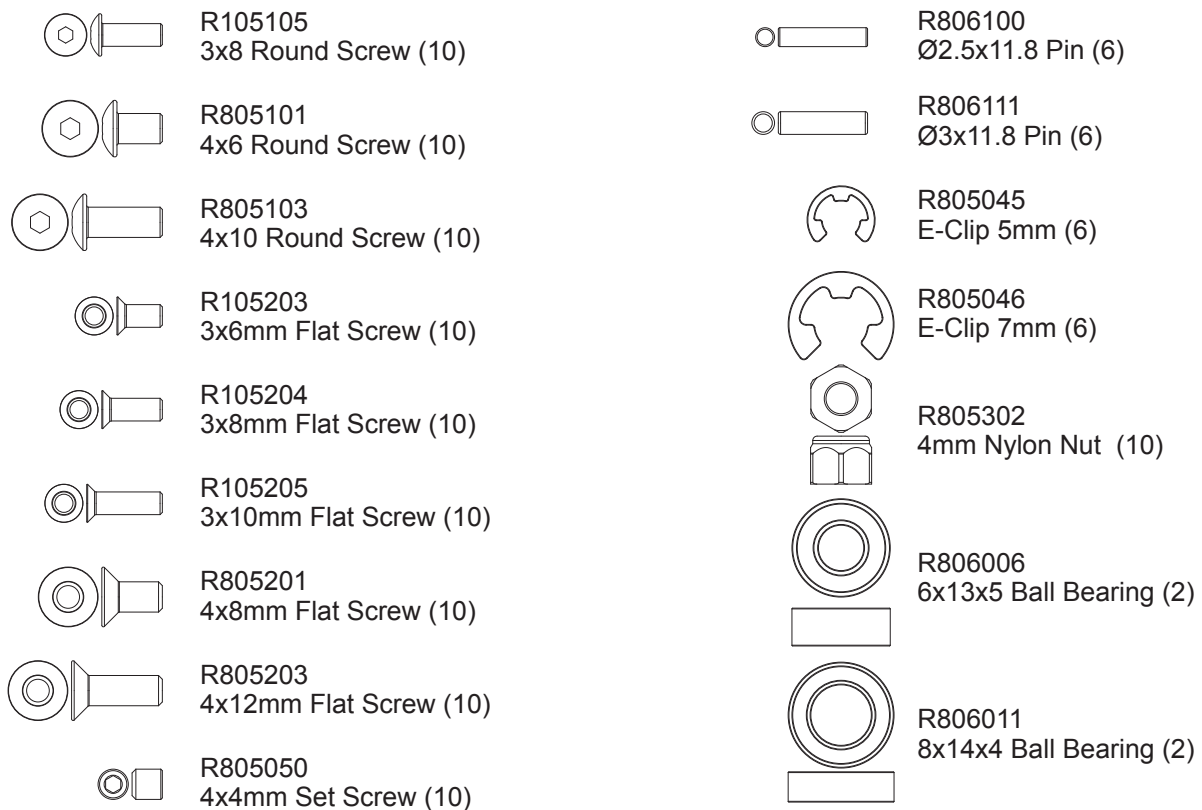
## R8.3E BAG 05 PARTS EXPLORE VIEW



## R8.3E BAG 05 PARTS LIST

R105105	3x8 Round Screw (10)	R805046	E-Clip 7mm (6)
R105203	3x6mm Flat Screw (10)	R805050	4x4mm Set Screw (10)
R105204	3x8mm Flat Screw (10)	R805101	4x6 Round Screw (10)
R105205	3x10mm Flat Screw (10)	R805103	4x10 Round Screw (10)
R801045	Bearing Bushing -Main Shaft (2)	R805201	4x8mm Flat Screw (10)
R801111	Pulley Set -Front	R805203	4x12mm Flat Screw (10)
R801112	Pulley Set -Middle	R805302	4mm Nylon Nut (10)
R801113	Pulley Set -Rear	R806006	6x13x5 Ball Bearing (2)
R801210	Battery Mount	R806011	8x14x4 Ball Bearing (2)
R802066	2-Speed Shaft Bracket-High L	R806100	Pin 2.5x11.8 (6)
R802210	R8.0E Motor Bulkhead	R806111	Pin 3x11.8 (6)
R802216	Pulley Adaptor	R808103	Battery Holder Carbon (2)
R803201	R8.0E Middle Shaft	R812123	Spur Adaptor 2nd Speed
R804004	Body Mount Screw(4)	R812124	8x12x1.6mm Alu Shims (2)
R804032	Middle Belt 435	R813004	R8.1E Main Shaft
R804054	2nd Spur 57T	R822005	1/8 On-Road Car Front Body Tower (Alu) (2)
R805045	E-Clip 5mm (6)	R822020	R8.2 LCG Center Bulkhead
		R828006	R8.3E ESC Plate
		R831020	R8.3 Light Weight Bumper Set
		R832020	R8.3E Middle Shaft Base

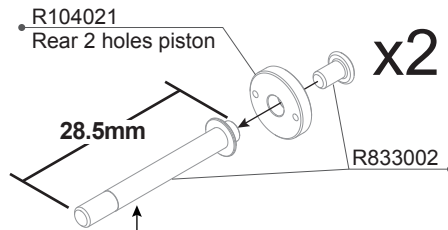
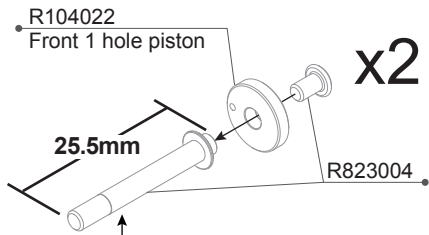
## 1:1 SCALE



## FRONT / 前避震器

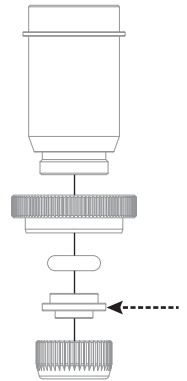
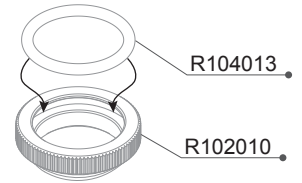
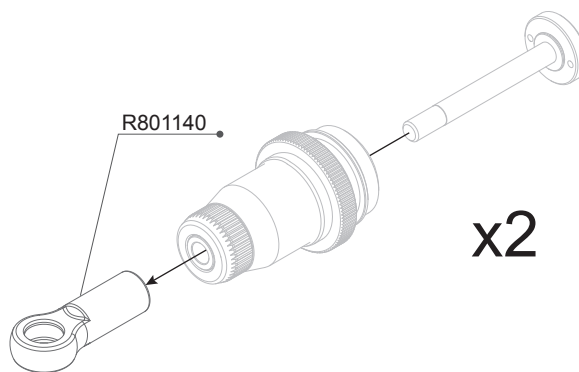
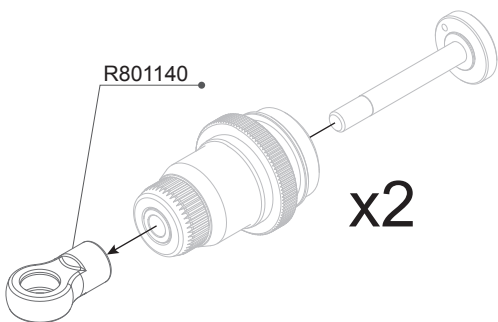
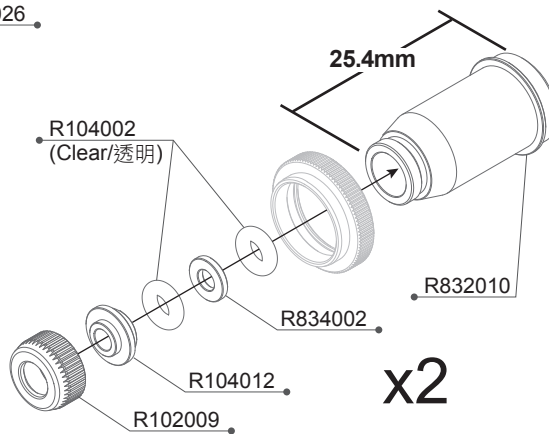
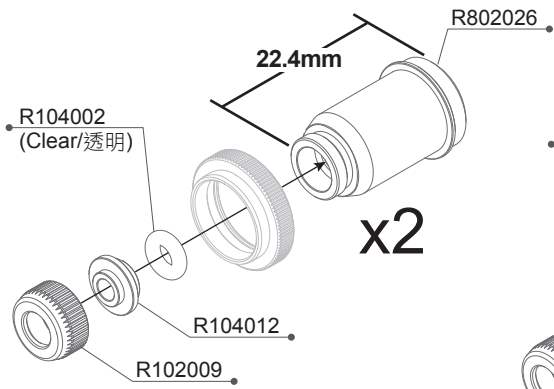
## REAR / 後避震器

BAG 06

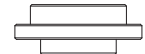


Option Parts (Not Included) / 改裝品(未附於套件內)

**R839002** R8.3 Shock Shaft-Titanium Coating (4)

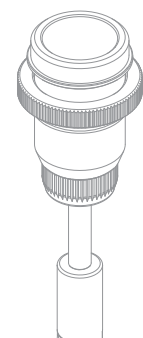


### NOTICE



### NOTICE

Fill #500 Cst Oil both front & rear  
請使用#500CST避震油於前後避震器



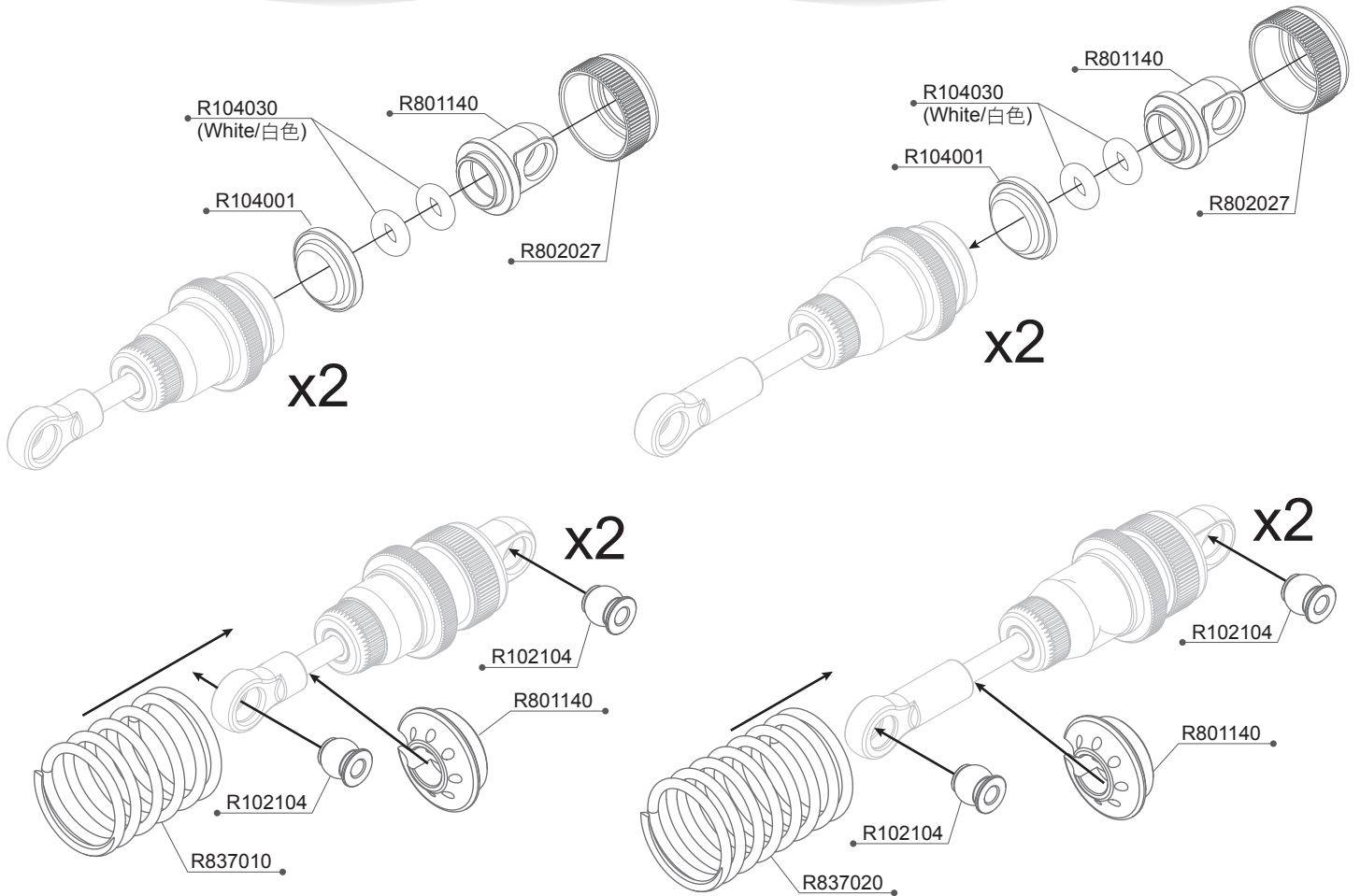
- R102009 Shock Low Cap Alu(2pcs)
- R102010 Shock ADJ Nut Alu (2pcs)
- R104002 O'ring 3x2(4pcs)
- R104012 Shock Shaft Shim(4pcs)
- R104013 O'ring 13x1 (2pcs)
- R104021 Shock Piston 1mm X 2 Hole (4pcs)
- R104022 Shock Piston 1mm X 1 Hole (4pcs)

- R801140 Shock Ball Joint Set V2
- R802026 Shock Body-V2016 (2)
- R823004 Shock Shaft-Screw Type (4)
- R832010 R8.3 Rear Shock Body (2)
- R833002 R8.3 Rear Shock Shaft (2)
- R834002 Shock Shims (2)

## FRONT / 前避震器

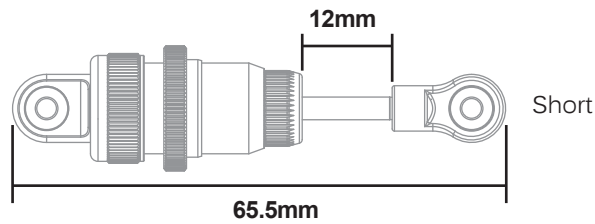
## REAR / 後避震器

BAG 06

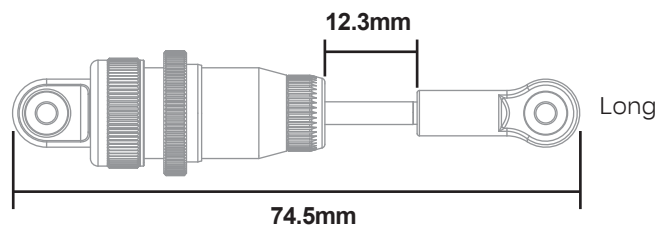


### NOTICE

FRONT (Short) Set to 65.5mm  
前避震器總長請設定成65.5mm



REAR (Long) Set to 74.5mm  
後避震器總長請設定成74.5mm



Build shocks to the following lengths / 請依圖示來設定避震器長度

R102104 5.8mm Ball end Short type Alu (4pcs)  
R104001 Shock Chamber(4pcs)  
R104030 O'ring 3x2 (Soft)(4pcs)  
R801140 Shock Ball Joint Set V2

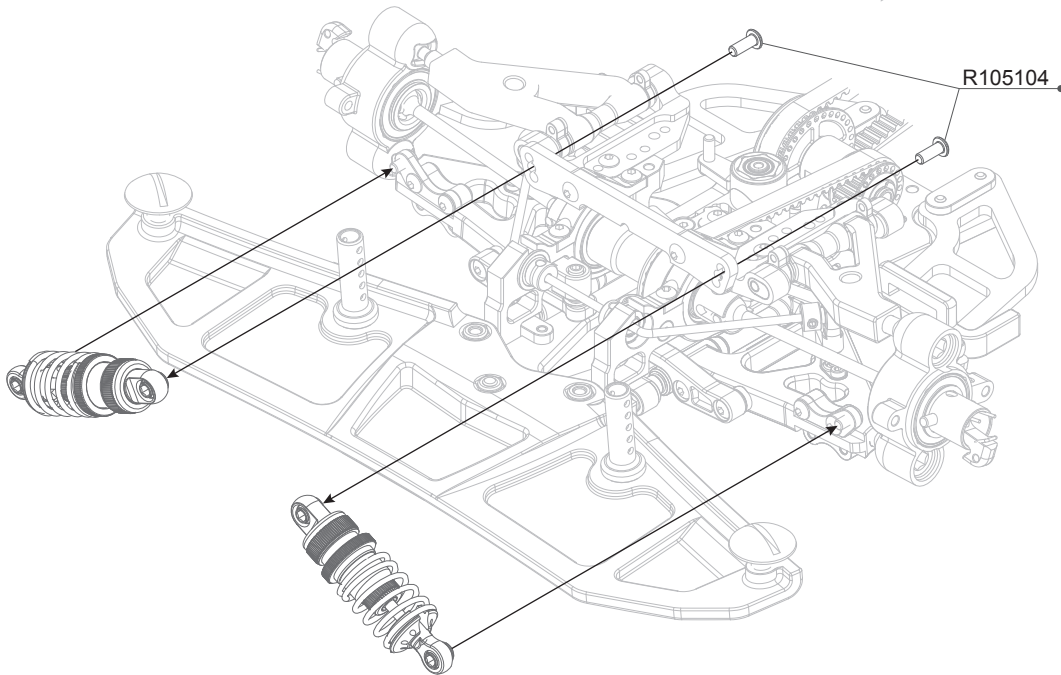
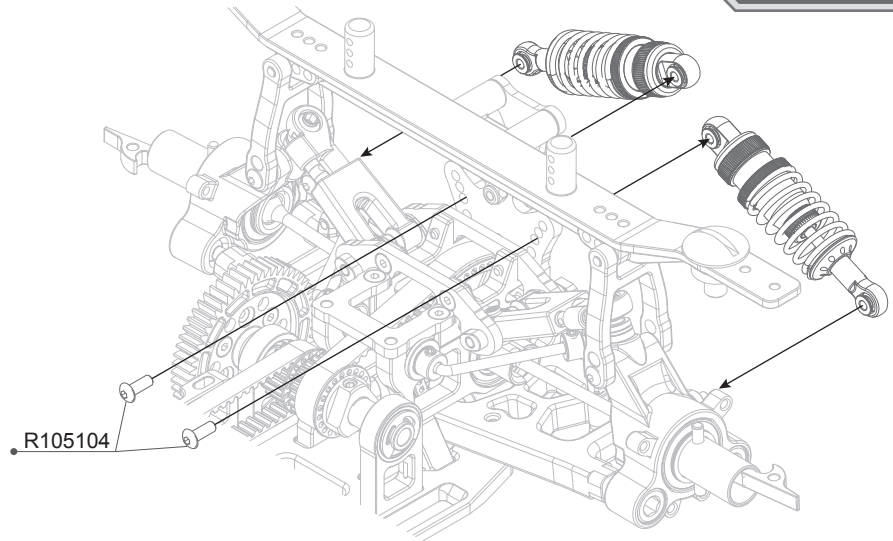
R802027 Shock Cap-V2016 (2)  
R837010 R8.3 Front Shock Spring-White  
R837020 R8.3 Rear Shock Spring-White



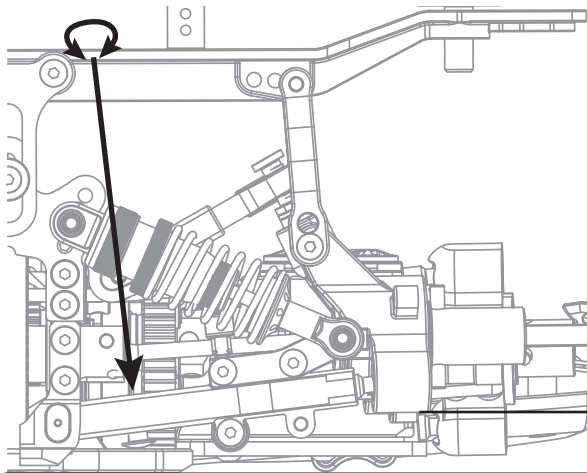


**R105104**  
3x6 Round Screw (10)

1:1 Scale



### NOTICE



Using only ball 2.0mm hex wrench.  
請使用2.0六角工具來調整上抬量。

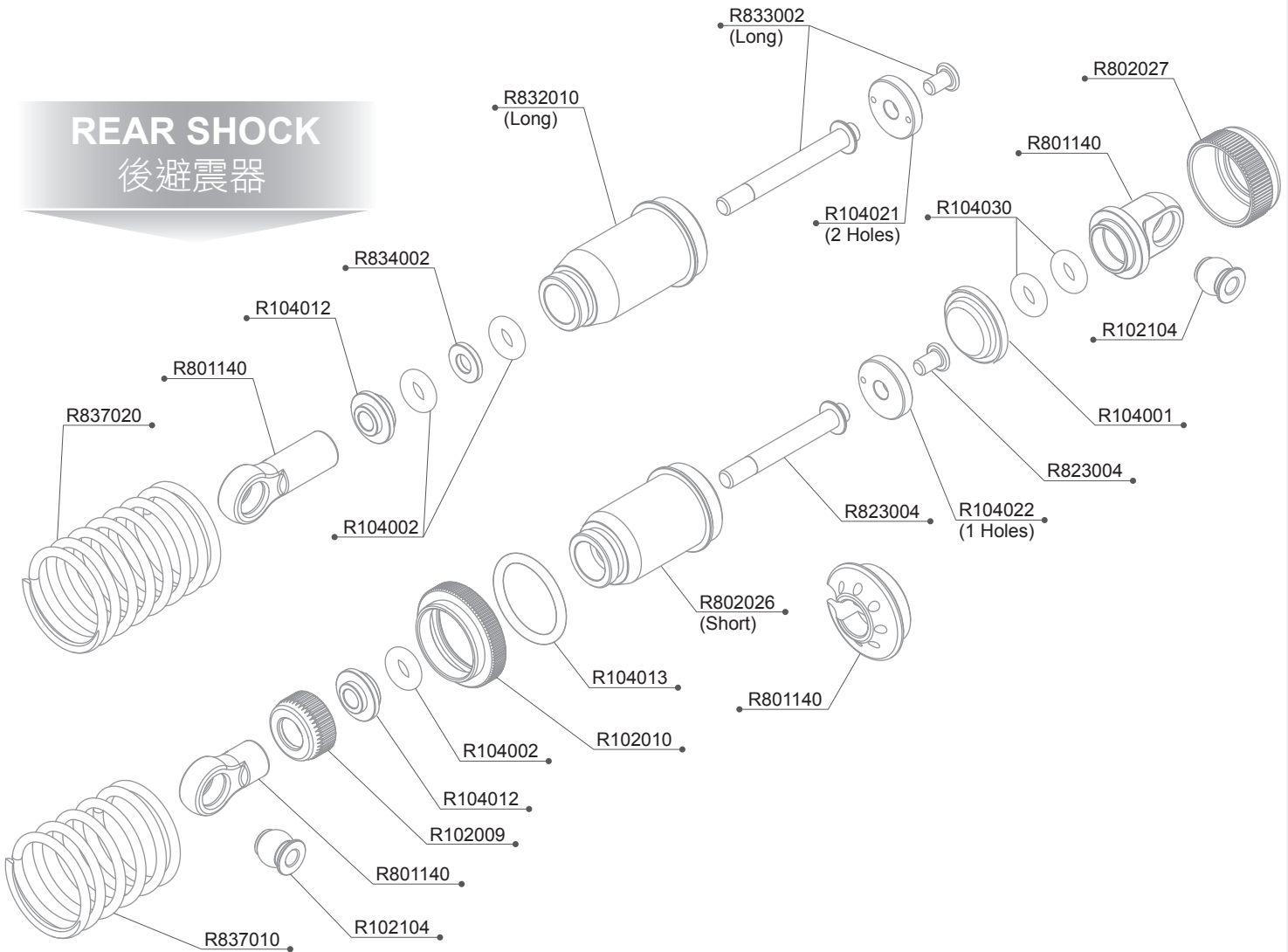
8mm

Please setup the rear droop as above instruction / 請依圖示將後方上抬量設定成8mm

R105104 3x6 Round Screw (10)

## R8.3E BAG 06 PARTS EXPLORE VIEW

### REAR SHOCK 後避震器



### FRONT SHOCK 前避震器

## R8.3E BAG 06 PARTS LIST

R102009	Shock Low Cap Alu(2pcs)	R105104	3x6 Round Screw (10)
R102010	Shock ADJ Nut Alu (2pcs)	R801140	Shock Ball Joint Set V2
R102104	5.8mm Ball end Short type Alu (4pcs)	R802026	Shock Body-V2016 (2)
R104001	Shock Chamber(4pcs)	R802027	Shock Cap-V2016 (2)
R104002	O'ring 3x2(4pcs)	R823004	Shock Shaft-Screw Type (4)
R104012	Shock Shaft Shim(4pcs)	R832010	R8.3 Rear Shock Body (2)
R104013	O'ring 13x1 (2pcs)	R833002	R8.3 Rear Shock Shaft (2)
R104021	Shock Pistion 1mm X 2 Hole (4pcs)	R834002	Shock Shims (2)
R104022	Shock Pistion 1mm X 1 Hole (4pcs)	R837010	R8.3 Front Shock Spring-White
R104030	O'ring 3x2 (Soft)(4pcs)	R837020	R8.3 Rear Shock Spring-White



**R105104**  
3x6 Round Screw (10)



**R105105**  
3x8 Round Screw (10)



**R105108**  
3x14 Round Screw (10)



**R105204**  
3x8mm Flat Screw (10)

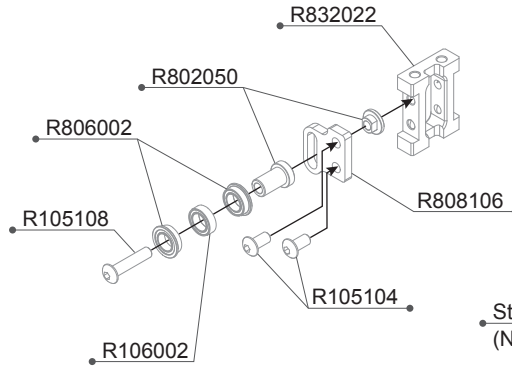


**R106002**  
5x8x2.5mm  
Ball Bearing /Metal Seal (4)

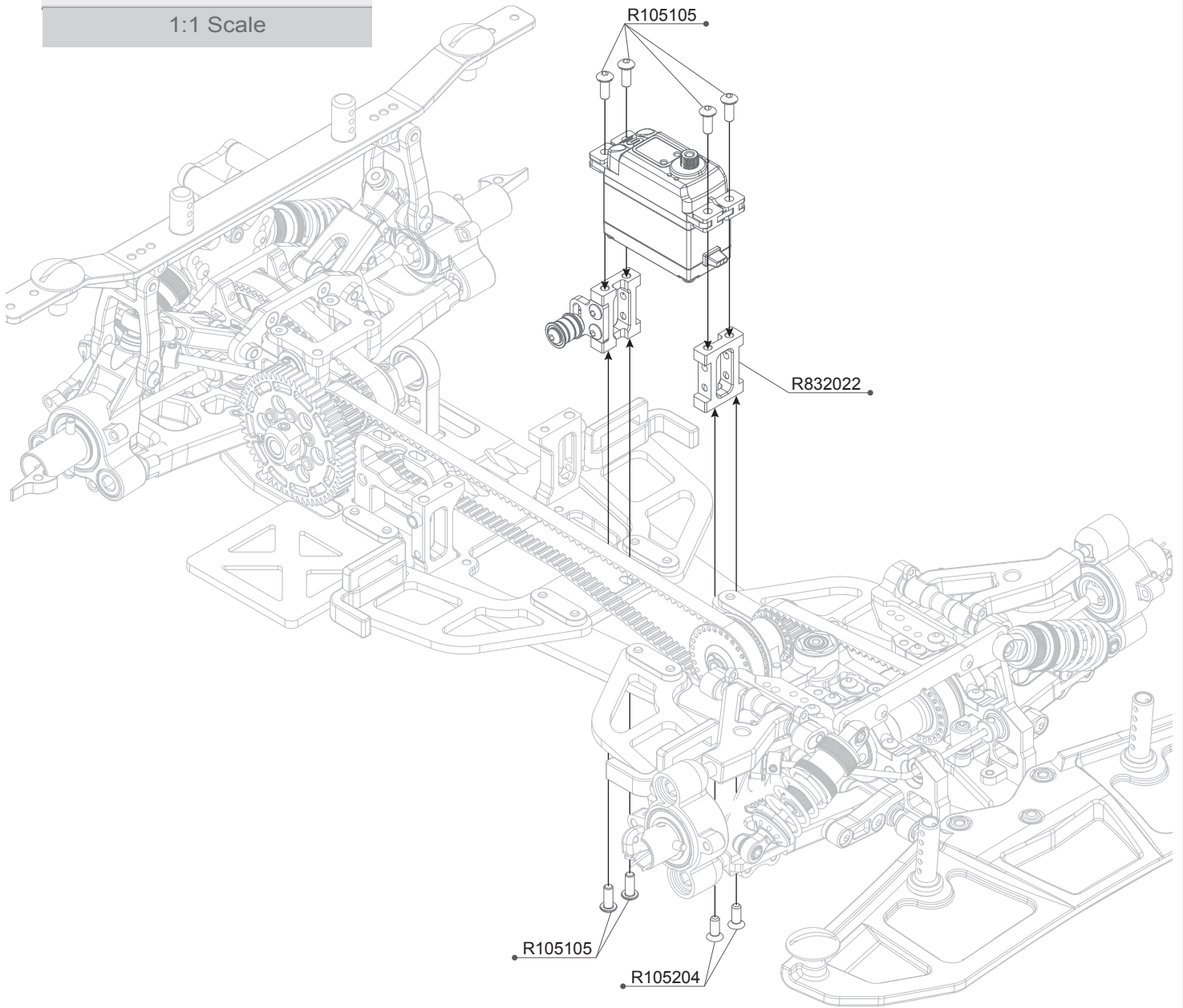


**R806002**  
5x8x2.5mm  
Flange Ball Bearing (2)

1:1 Scale



Standard Servo/標準伺服機  
(Not Included/未附於套件內)

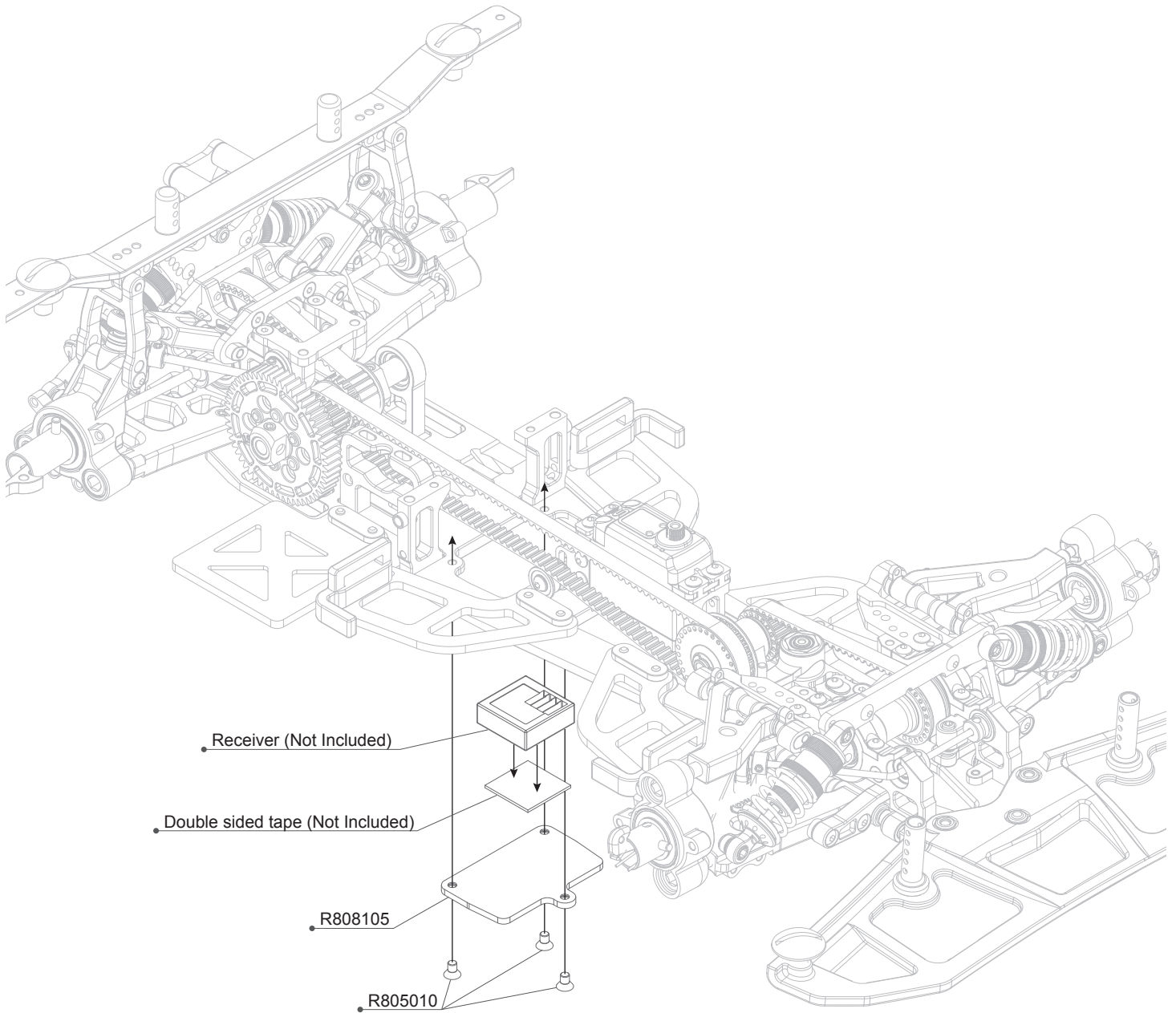


R105104 3x6 Round Screw (10)  
R105105 3x8 Round Screw (10)  
R105108 3x14 Round Screw (10)  
R105204 3x8mm Flat Screw (10)  
R106002 5x8x2.5mm Ball Bearing /Metal Seal (4)

R802050 Belt Tensioner Shaft  
R806002 5x8x2.5mm Flange Ball Bearing (2)  
R808106 R8.0E Belt Tensioner Plate  
R832022 R8.3E Servo Holder-Alu

 **R805010**  
3x5mm Flat Screw (10)

1:1 Scale



R805010 3x5mm Flat Screw (10)

R808105 R8.0E Receiver Holder

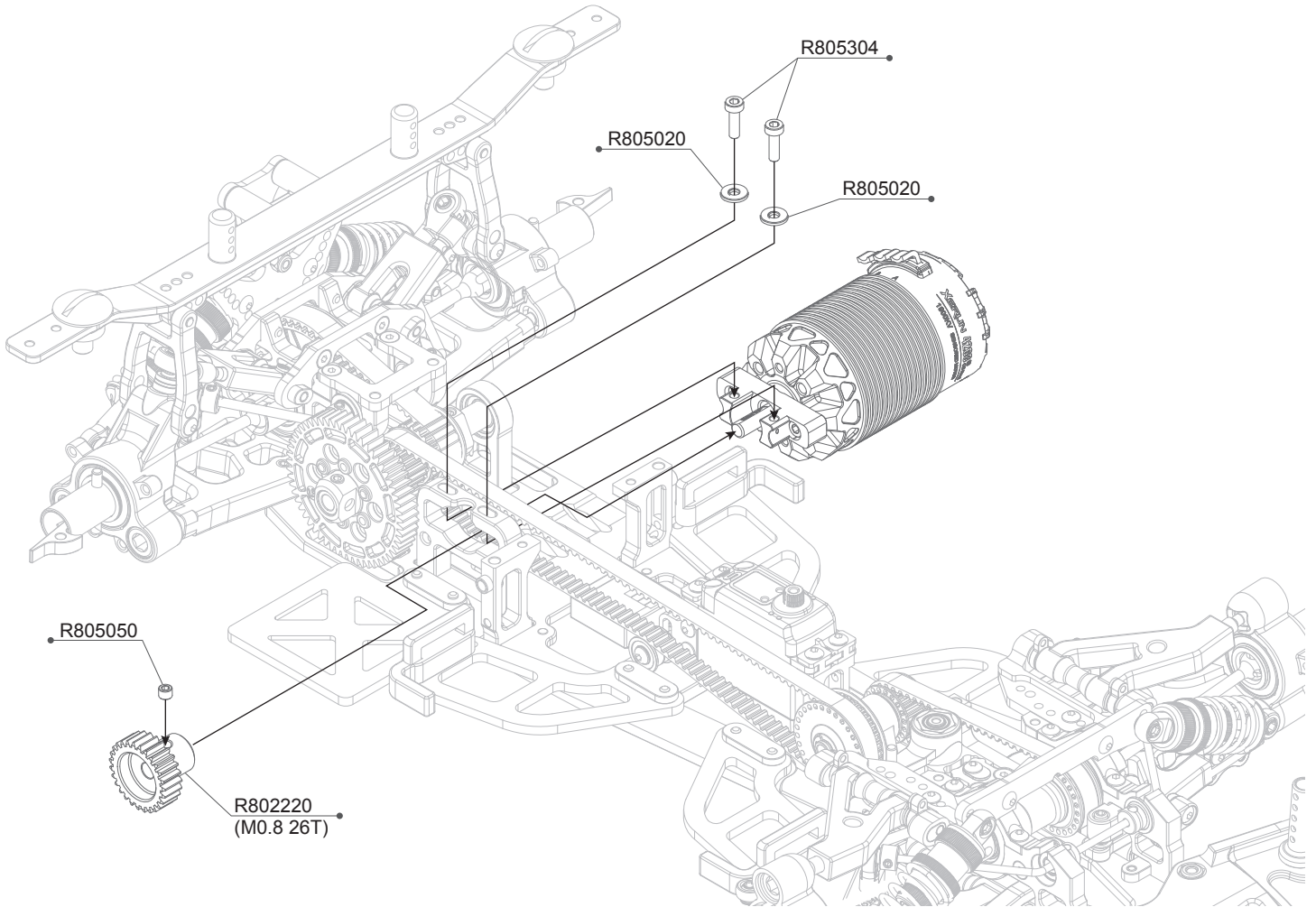
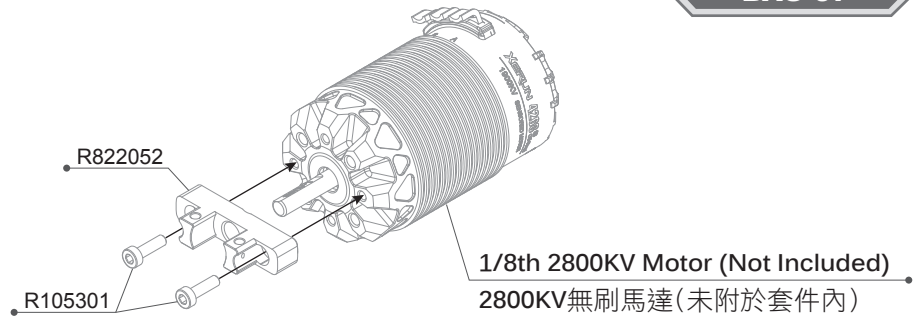
**R105301**  
3x8mm Cap Screw (10)

**R805304**  
3x12mm Cap Screw (10)

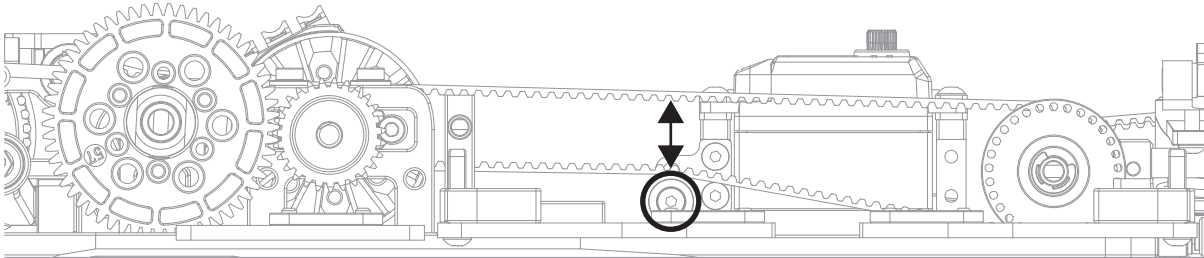
**R805020**  
3x8x1mm Steel Shim (6)

**R805050**  
4x4mm Set Screw (10)

1:1 Scale



### NOTICE



Adjust center belt tension here / 請由此處調整中皮帶的張力

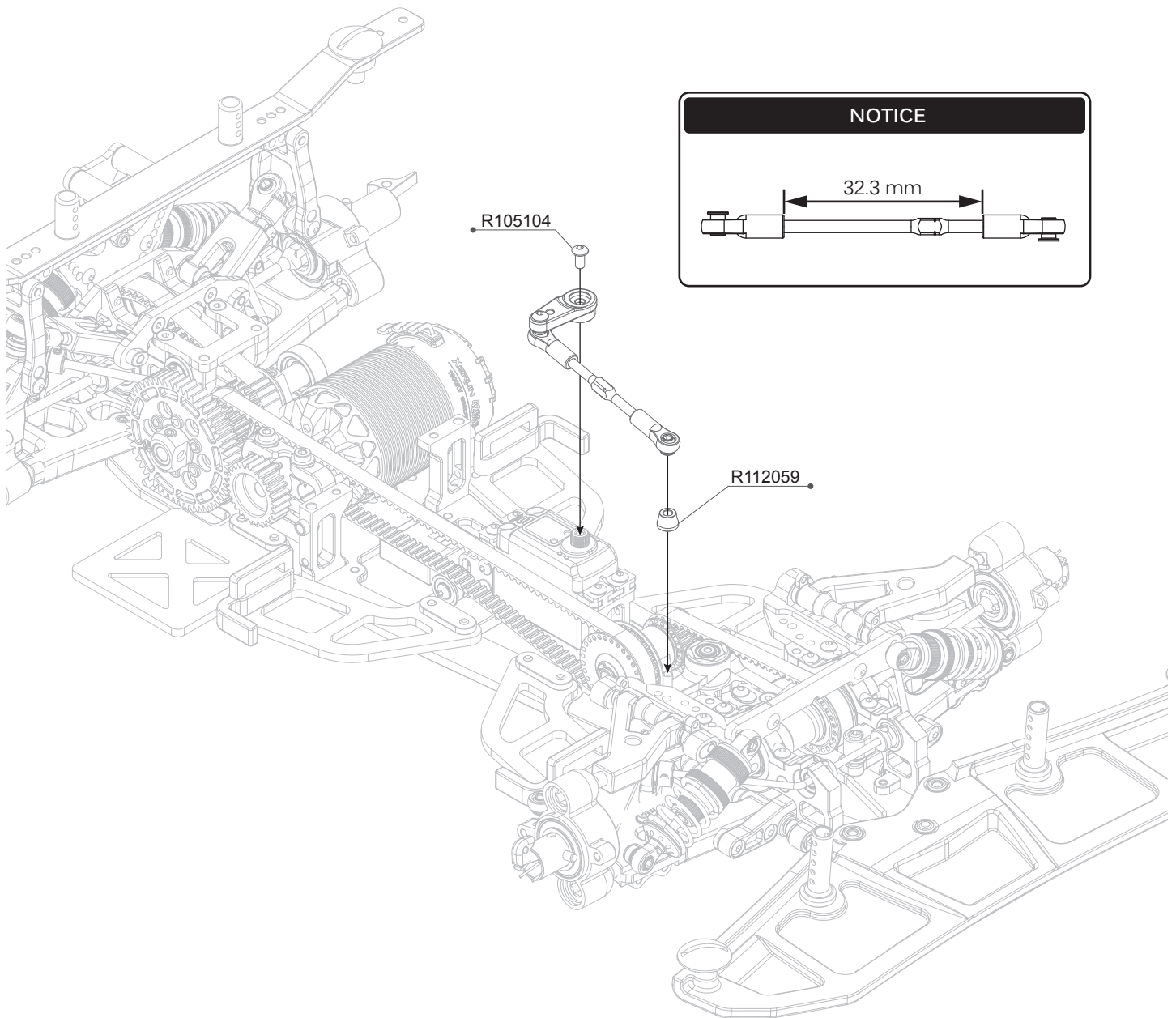
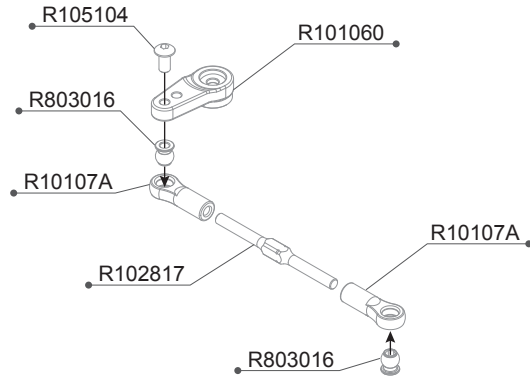
R105301 3x8mm Cap Screw (10)  
R802220 R8.0E Pinion 26T  
R805020 3x8x1mm Steel Shim (6)

R805050 4x4mm Set Screw (10)  
R805304 3x12mm Cap Screw (10)  
R822052 R8.3E Motor Adaptor



**R105104**  
3x6 Round Screw (10)

1:1 Scale




**NOTICE**

32.3 mm

R101060 Servo Horn Dual steering arm  
 R10107A Ball Joint 4.9mm Open (6pcs)  
 R102817 Turnbuckle 3x43mm ALU-7075 (2pcs)

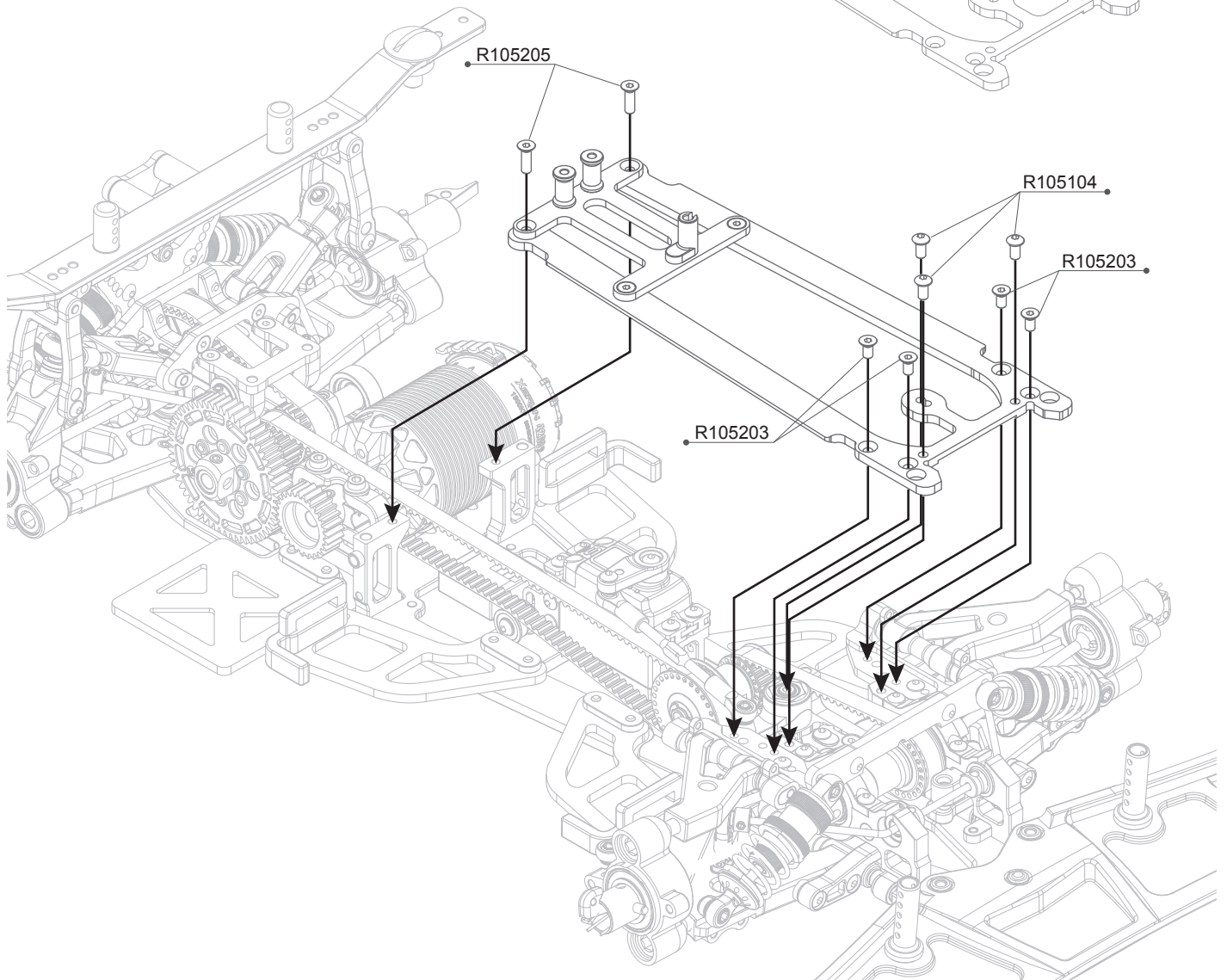
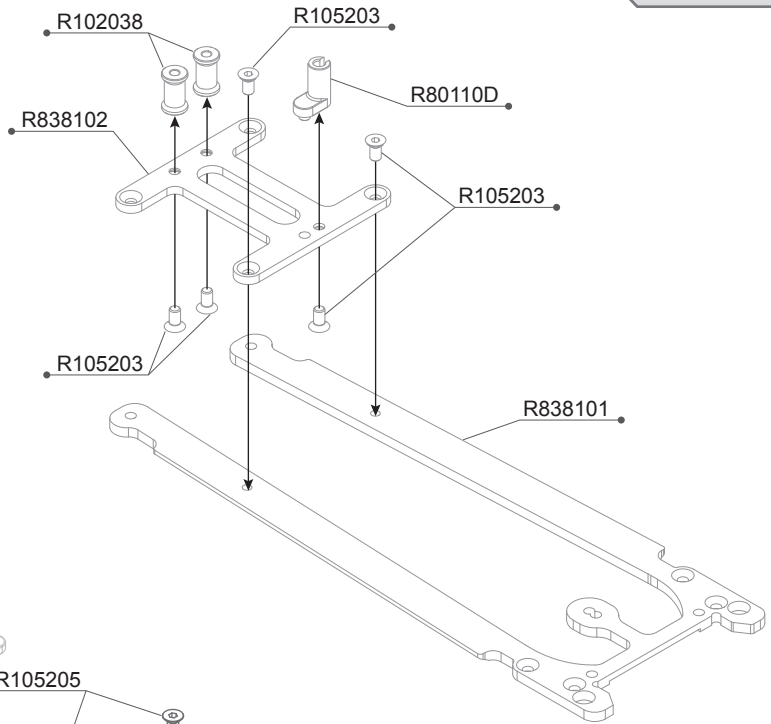
R105104 3x6 Round Screw (10)  
 R112059 ATS Base Tower 5mm (2)  
 R803016 Ball Head 4.9mm (4)

 **R105104**  
3x6 Round Screw (10)

 **R105203**  
3x6mm Flat Screw (10)

 **R105205**  
3x10mm Flat Screw (10)

1:1 Scale



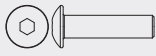
- R102038 Aluminum Tower (2)
- R105104 3x6 Round Screw (10)
- R105203 3x6mm Flat Screw (10)
- R105205 3x10mm Flat Screw (10)

- R80110D Antenna Holder
- R838101 R8.3E Upper Deck
- R838102 R8.3E H Deck

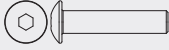


**R102017**  
3x5.5x3mm Alu Shims (4)

**R102018**  
3x5.5x4mm Alu Shims (4)



**R105107**  
3x12 Round Screw (10)



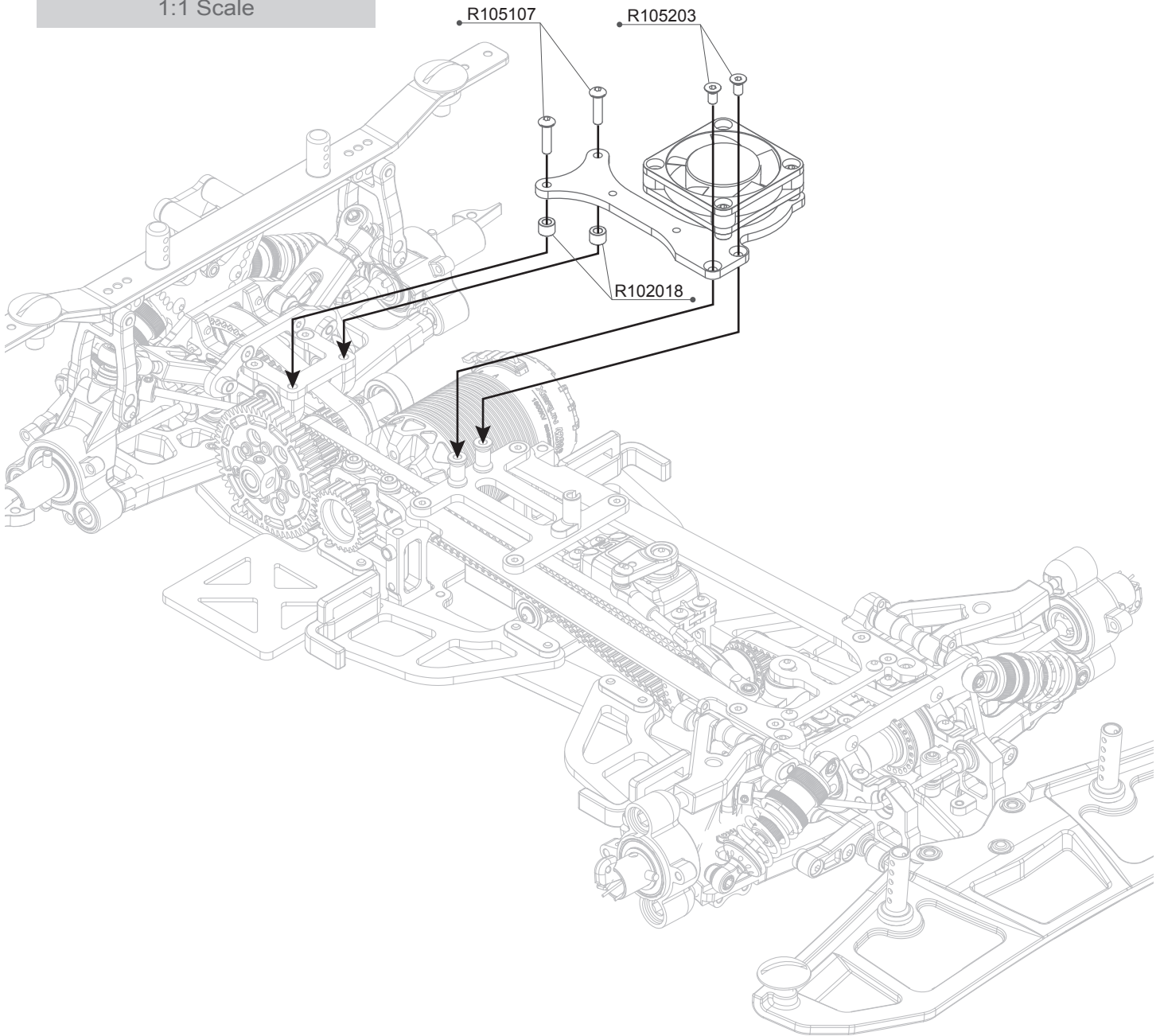
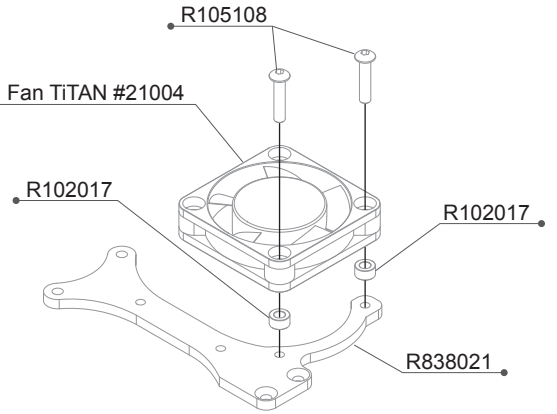
**R105108**  
3x14 Round Screw (10)



**R105203**  
3x6mm Flat Screw (10)

1:1 Scale

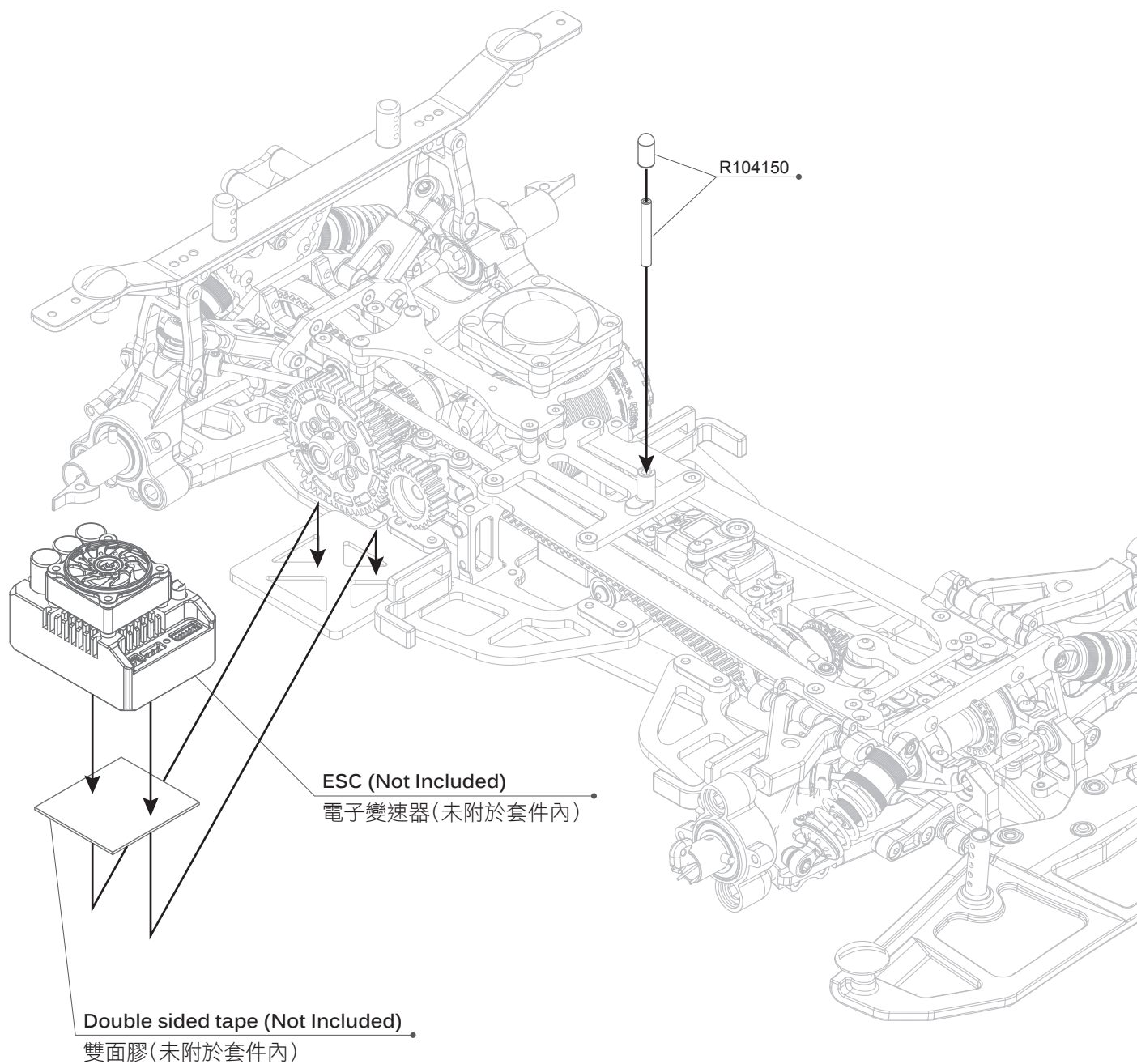
40x40mm Ultra High Speed Fan TiTAN #21004  
(Not Included)



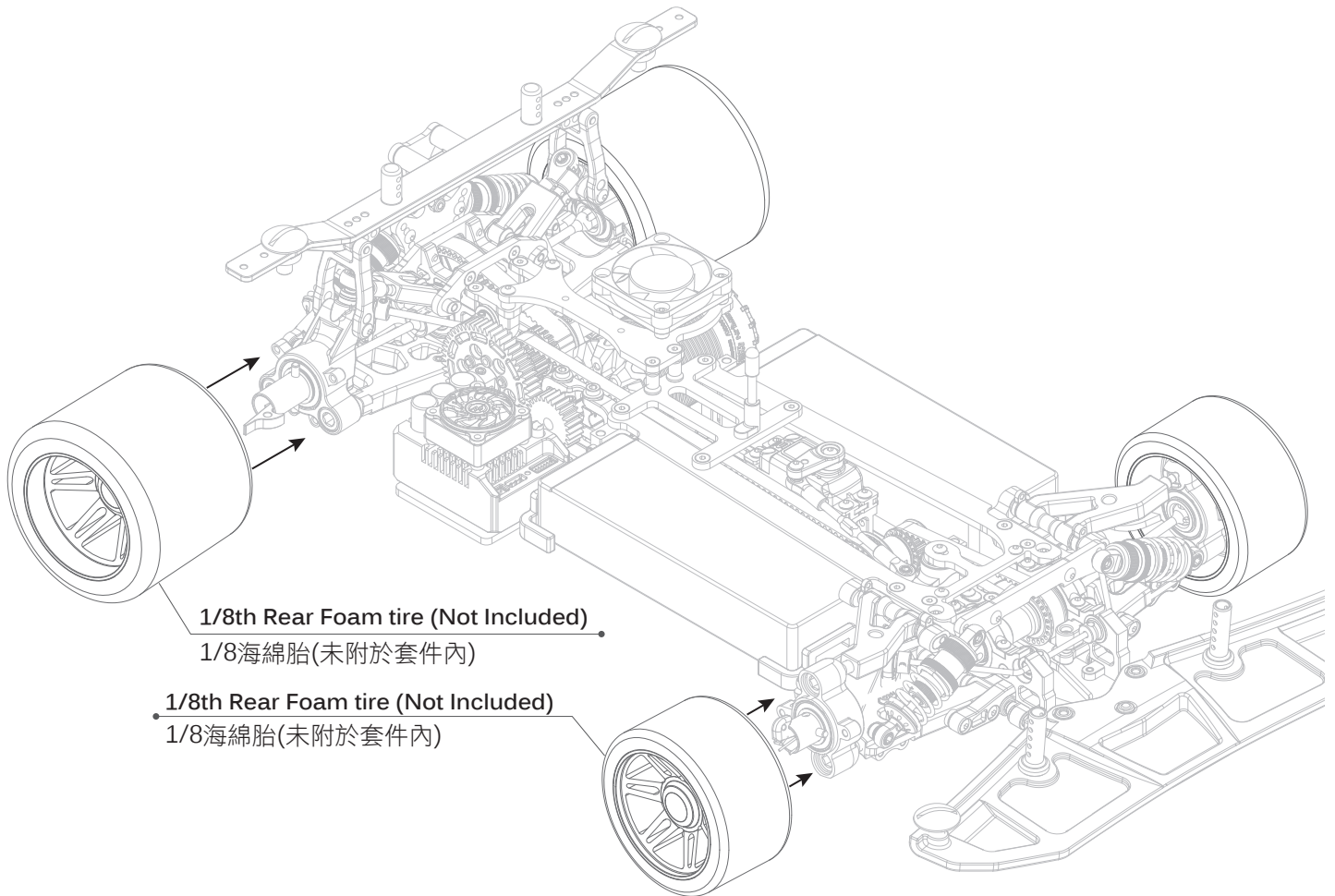
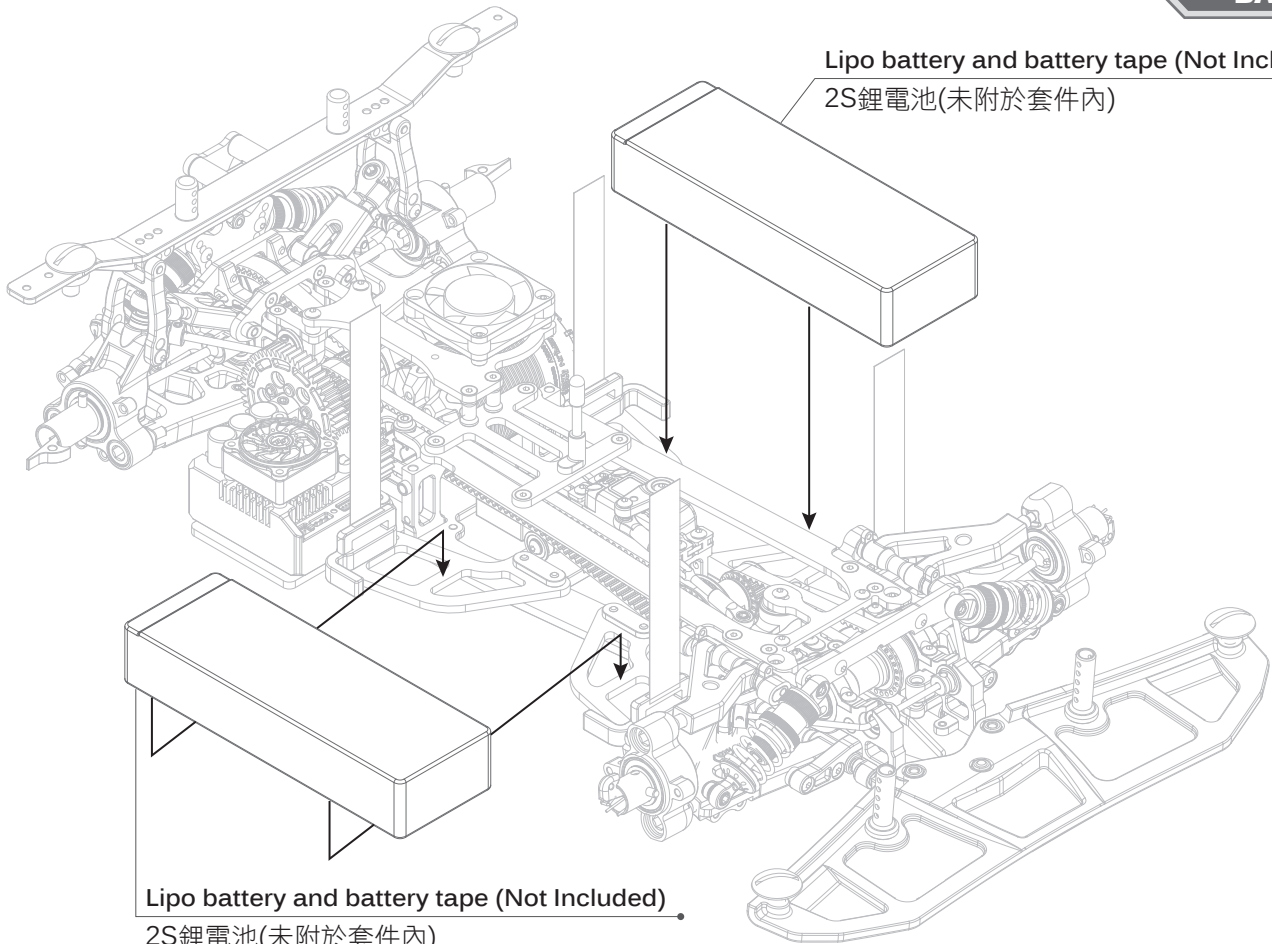
R102017 3X5.5X3mm Alu Shims(4pcs)  
R102018 3x5.5x4mm Alu Shims(4pcs)  
R105107 3x12 Round Screw (10)

R105108 3x14 Round Screw (10)  
R105203 3x6mm Flat Screw (10)  
R838021 R8.3E Fan Mount

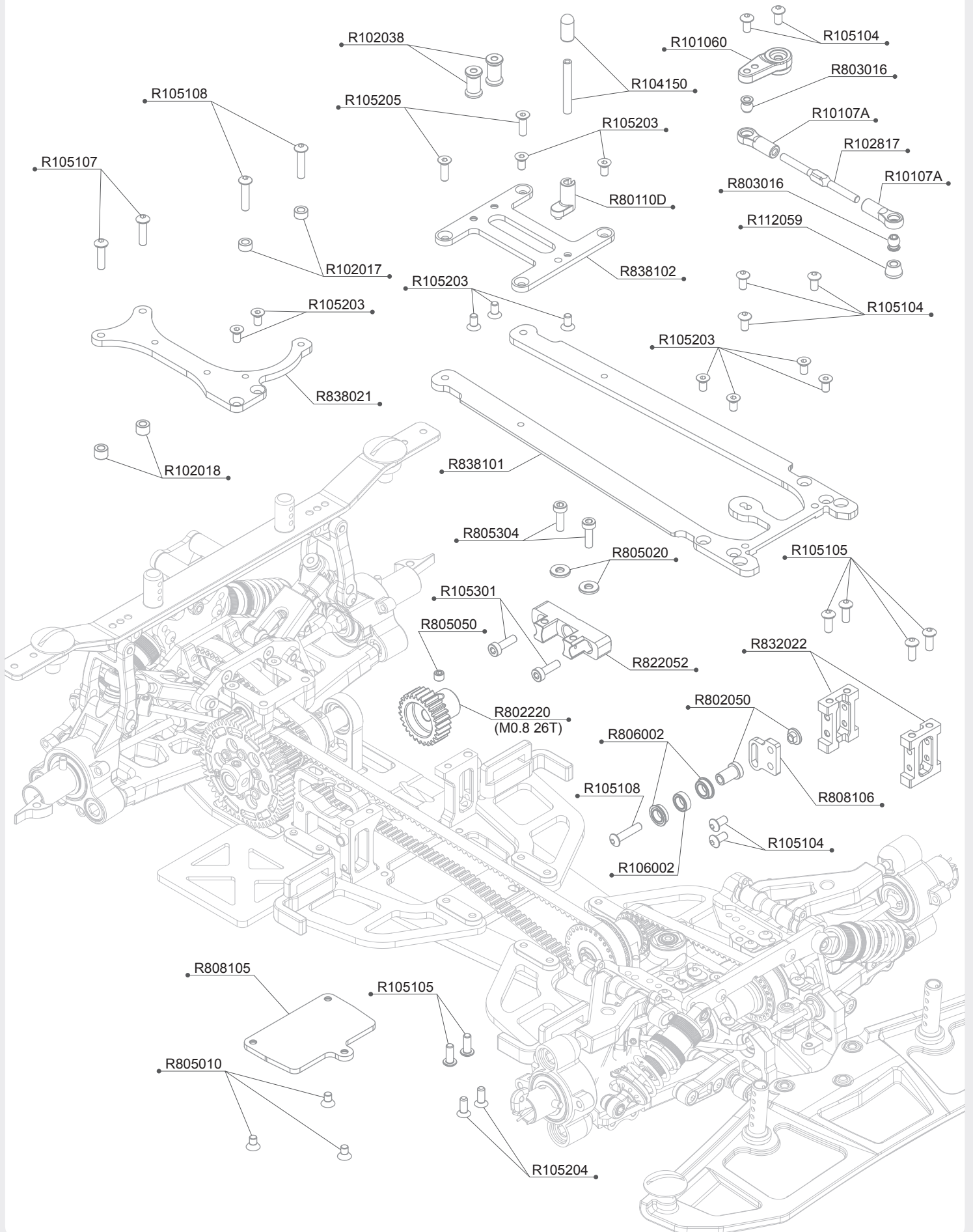




R104150 Antenna (1set)





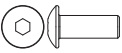

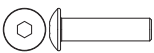


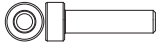








## R8.3E BAG 07 PARTS EXPLORE VIEW



## R8.3E BAG 07 PARTS LIST

R101060	Servo Horn Dual steering arm	R80110D	Antenna Holder
R10107A	Ball Joint 4.9mm Open (6pcs)	R802050	Belt Tensioner Shaft
R102017	3X5.5X3mm Alu Shims(4pcs)	R802220	R8.0E Pinion 26T
R102018	3x5.5x4mm Alu Shims(4pcs)	R803016	Ball Head 4.9mm (4)
R102038	Aluminum Tower (2)	R805010	3x5mm Flat Screw (10)
R102817	Turnbuckle 3x43mm ALU-7075 (2pcs)	R805020	3x8x1mm Steel Shim (6)
R104150	Antenna (1set)	R805050	4x4mm Set Screw (10)
R105104	3x6 Round Screw (10)	R805304	3x12mm Cap Screw (10)
R105105	3x8 Round Screw (10)	R806002	5x8x2.5mm Flange Ball Bearing (2)
R105107	3x12 Round Screw (10)	R808105	R8.0E Receiver Holder
R105108	3x14 Round Screw (10)	R808106	R8.0E Belt Tensioner Plate
R105203	3x6mm Flat Screw (10)	R822052	R8.3E Motor Adaptor
R105204	3x8mm Flat Screw (10)	R832022	R8.3E Servor Holder-Alu
R105205	3x10mm Flat Screw (10)	R838021	R8.3E Fan Mount
R105301	3x8mm Cap Screw (10)	R838101	R8.3E H Deck
R106002	5x8x2.5mm Ball Bearing /Metal Seal (4)	R838102	R8.3E Upper Deck
R112059	ATS Base Tower 5mm (2)		

## 1:1 SCALE

	R105104 3x6 Round Screw (10)		R102017 3x5.5x3mm Alu Shims (4)
	R105105 3x8 Round Screw (10)		R102018 3x5.5x4mm Alu Shims (4)
	R105107 3x12 Round Screw (10)		R105301 3x8mm Cap Screw (10)
	R105108 3x14 Round Screw (10)		R805304 3x12mm Cap Screw (10)
	R805010 3x5mm Flat Screw (10)		R805020 3x8x1mm Steel Shim (6)
	R105203 3x6mm Flat Screw (10)		R805050 4x4mm Set Screw (10)
	R105204 3x8mm Flat Screw (10)		R106002 5x8x2.5mm Ball Bearing /Metal Seal (4)
	R105205 3x10mm Flat Screw (10)		R806002 5x8x2.5mm Flange Ball Bearing (2)