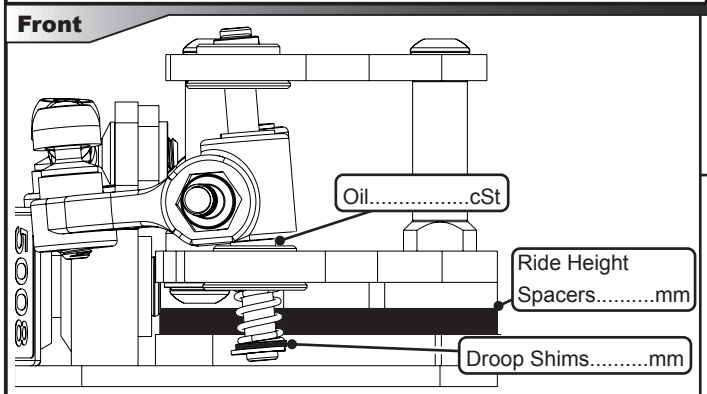


Driver Details	
NAME	
DATE	
EVENT / TRACK	
WEATHER	
RESULT	
FASTEST LAP TIME	
Chassis and Electrics	
BODYSHELL	
WING	
E.S.C	
SERVO	
RECEIVER	
LIPO	
Track Conditions	
GRIP LEVEL	High <input type="checkbox"/> Medium <input type="checkbox"/> Low <input type="checkbox"/>
TYPE	Tight <input type="checkbox"/> Open <input type="checkbox"/> Mixed <input type="checkbox"/>
SURFACE	Carpet <input type="checkbox"/> Tarmac <input type="checkbox"/>
CONDITION	Smooth <input type="checkbox"/> Bumpy <input type="checkbox"/>
AIR TEMPERATURE	°C °F TRACK TEMPERATURE °C °F
VENUE	Indoor <input type="checkbox"/> Outdoor <input type="checkbox"/>
Track Dimensions	

NOTES	
	

Motor and Gearing	
MOTOR	
TIMING	
SPUR SIZE	
PINION SIZE	
Rollout	mm/rev

Tyres and Additive	
COMPOUND	Front Rear
DIAMETER	Front Rear
TYRE ADDITIVE	
ADDITIVE TIME	Front Minutes Rear Minutes
ADDITIVE COVERAGE	Front Rear
SIDEWALL GLUE	Front <input type="checkbox"/> Rear <input type="checkbox"/>



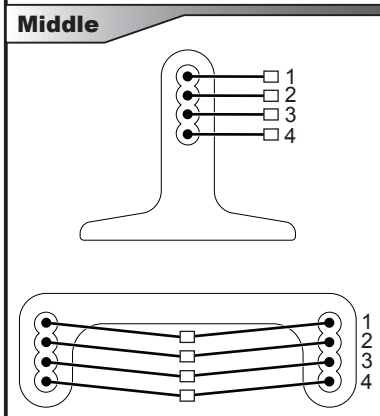
Ride Height.....mm
 Droop.....mm
 Inside wheel lock.....°
 Toe.....°

Spacers.....mm

1 Dot
 2 Dot
 3 Dot

Black
 Silver - Kit
 Green
 Gold

0 Dot - Kit
 1 Dot
 2 Dot
 3 Dot



Oil.....cSt

Oil.....cSt

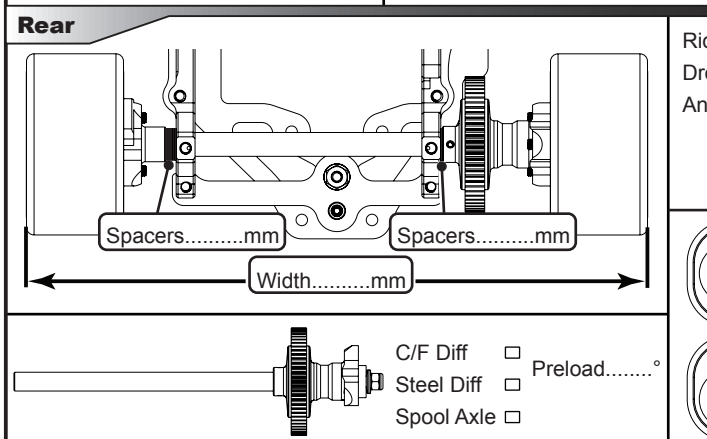
Spacers.....mm

1 Dot
 2 Dot
 3 Dot

Black
 Silver - Kit
 Gold
 Nickel
 Red Dot
 Black Ultra

Plastic - Kit
 Alloy

Spacers.....mm



Ride Height.....mm
 Droop.....mm
 Antisquat.....mm Kit (4.2mm)

Antisquat

Black
 Silver
 Gold
 Nickel
 Red Dot - Kit
 Black Ultra