

DRIVER, TRACK AND RESULTS

DRIVER COUNTRY WEATHER AIR TEMP TRACK TEMP DRY INTERMEDIATE WET

TRACK TRACTION LOW MEDIUM HIGH COMMENTS

RACE DATE QUALY POS. QUALY TIME STARTING POS. FINAL POS.

1ST		SPUR GEARS			2ND	
<input type="checkbox"/> 61	<input type="checkbox"/> 62	<input type="checkbox"/> 63	<input type="checkbox"/> 56	<input type="checkbox"/> 57	<input type="checkbox"/> 58	

1ST		PINION			2ND	
<input type="checkbox"/> 18	<input type="checkbox"/> 19	<input type="checkbox"/> 20	<input type="checkbox"/> 23	<input type="checkbox"/> 24	<input type="checkbox"/> 25	

FRONT		SHOCK ABSORBERS			REAR	
OIL <input type="text"/> cst		OIL <input type="text"/> cst				
SPRINGS <input type="text"/>		SPRINGS <input type="text"/>				

<input type="checkbox"/> FRONT	HEAVE DAMPER			<input type="checkbox"/> REAR
OIL <input type="text"/> cst		OIL <input type="text"/> cst		
SPRINGS <input type="text"/>		SPRINGS <input type="text"/>		

FRONT		ANTI-ROLL BARS			REAR	
FRONT ANTI-ROLL BAR <input type="text"/>		REAR ANTI-ROLL BAR <input type="text"/>				

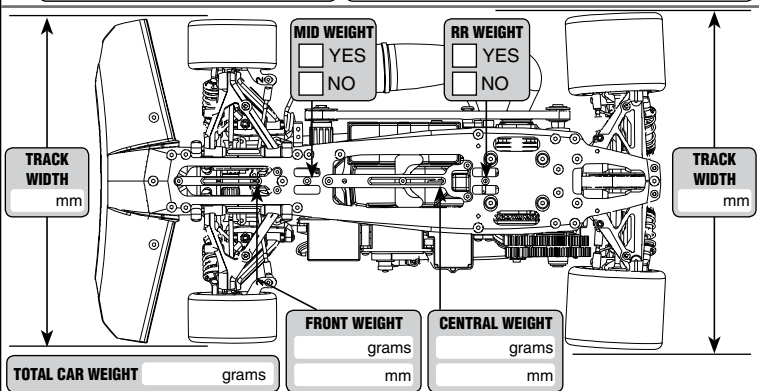
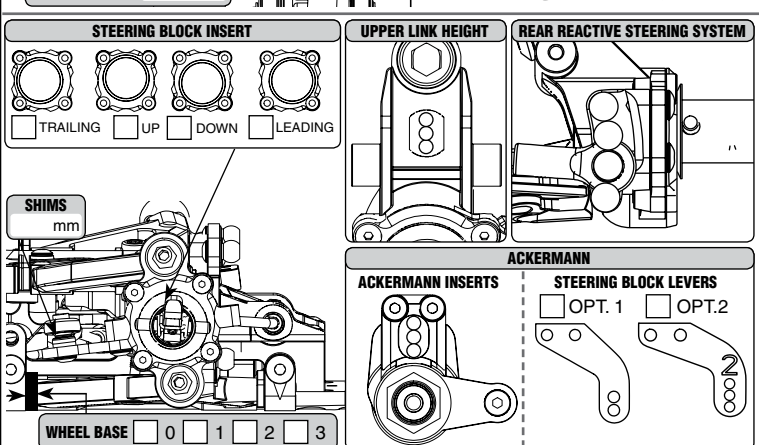
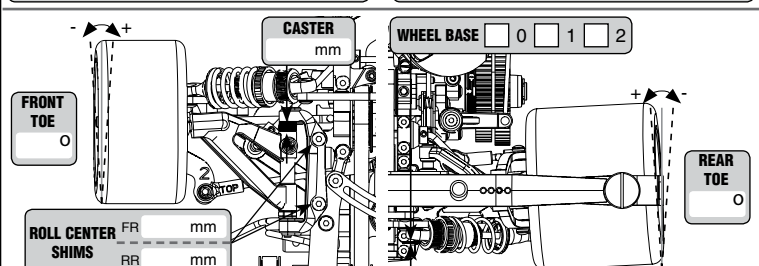
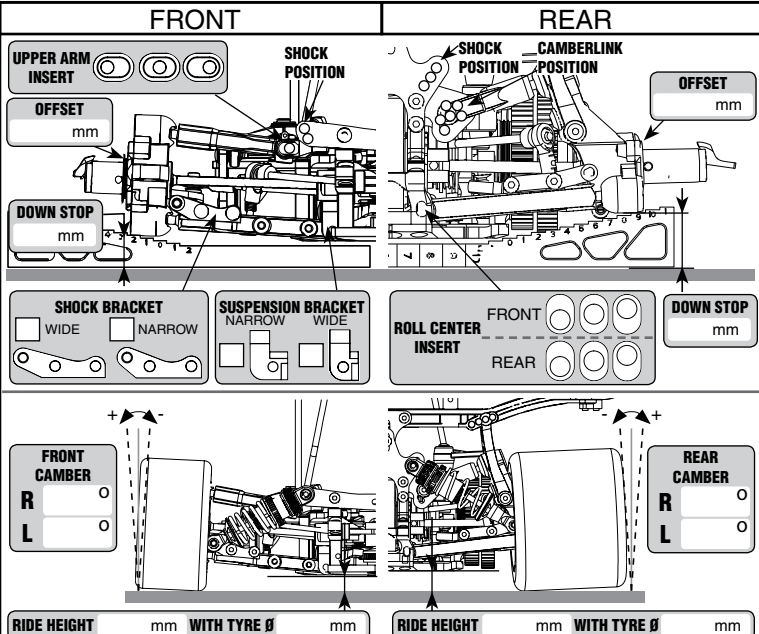
FRONT		TYRES			REAR	
Controlled Tyre <input type="checkbox"/>		Controlled Tyre <input type="checkbox"/>				
MAKE <input type="text"/>		MAKE <input type="text"/>				
SHORE <input type="text"/>		SHORE <input type="text"/>				
DIAMETER <input type="text"/>		DIAMETER <input type="text"/>				
5-MIN WEAR <input type="text"/>		5-MIN WEAR <input type="text"/>				

POWER PACK	
ENGINE	
BRAND <input type="text"/>	TYPE <input type="text"/>
GLOWPLUG <input type="text"/>	CARB Ø <input type="text"/> mm HEAD CLEARANCE <input type="text"/> mm
EXHAUST	
PIPE <input type="text"/>	MANIFOLD <input type="text"/>
FUEL	
BRAND <input type="text"/>	NITRO <input type="text"/>

CLUTCH	
CLUTCH BELL <input type="checkbox"/> ALU <input type="checkbox"/> STEEL	CLUTCH SHOE <input type="checkbox"/> RED <input type="checkbox"/> YELLOW <input type="checkbox"/> BLACK
CLUTCH SPRING <input type="text"/>	CLUTCH BELL GAP <input type="text"/> mm

FLEX CONFIGURATION	
FRONT RADIO PLATE FLEX	REAR CHASSIS PLATE FLEX
<input type="checkbox"/> STIFFENER (3 SCREWS)	<input type="checkbox"/> STIFF
<input type="checkbox"/> NO STIFFENER (2 SCREWS)	<input type="checkbox"/> FLEX
<input type="checkbox"/> NO STIFFENER & NO SCREWS	

AERODYNAMIC CONFIGURATION		
BODY BRAND <input type="text"/>	BUMPER TYPE <input type="checkbox"/> 989 <input type="checkbox"/> 977	BODY POSITION <input type="text"/> mm
BODY TYPE <input type="text"/>		
AIR TRIM POS. <input type="text"/> mm		



REMARKS