

Thank you for choosing to purchase Ignite Design RC products. As a very small company that operates from our garage, it is exciting to be a part of the RC racing community and specifically the re-introduction of one of our favorite racing classes, 2wd nitro stadium truck. See you at the races!!

You can find or follow us at the following:

www.ignitedesignrc.com

www.facebook.com/Ignite-design-rc

www.youtube.com/c/Ignitedesignrc

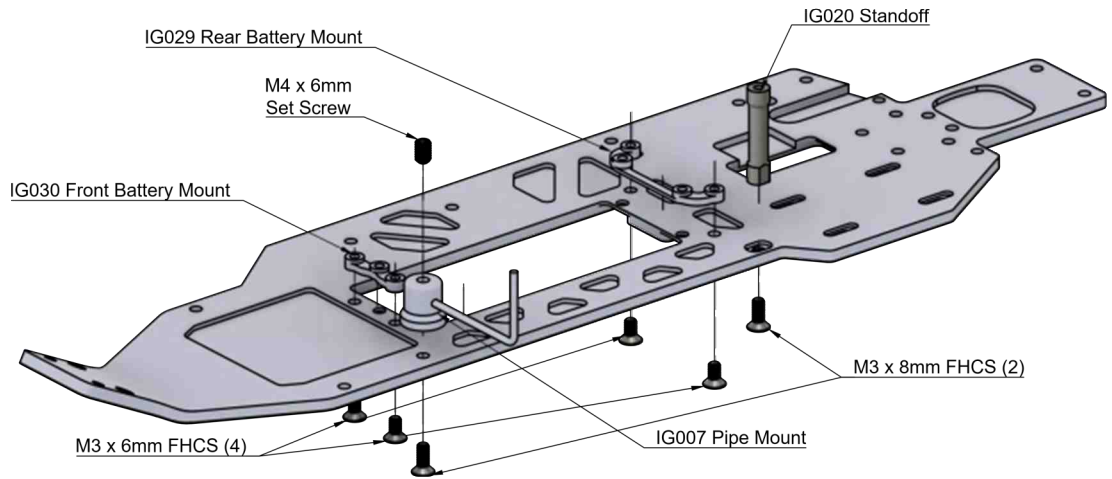
Parts and equipment needed to complete:

- Team Associated T6.1/T6.2 kit
- 2 channel surface radio with 2 servos
- Receiver battery with dimensions no more than 85mm x 30mm x 16.5mm
- Engine collet, Associated #81371
- .12 nitro engine (SG crank, slide carburetor recommended)
- Complete exhaust, <https://ignitedesignrc.com/products/12-tuned-pipe-set>

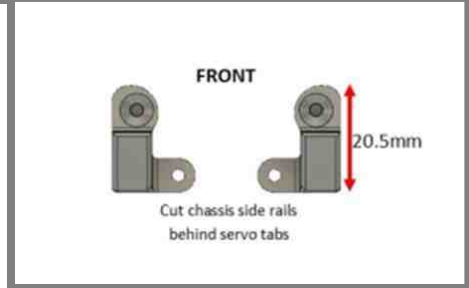
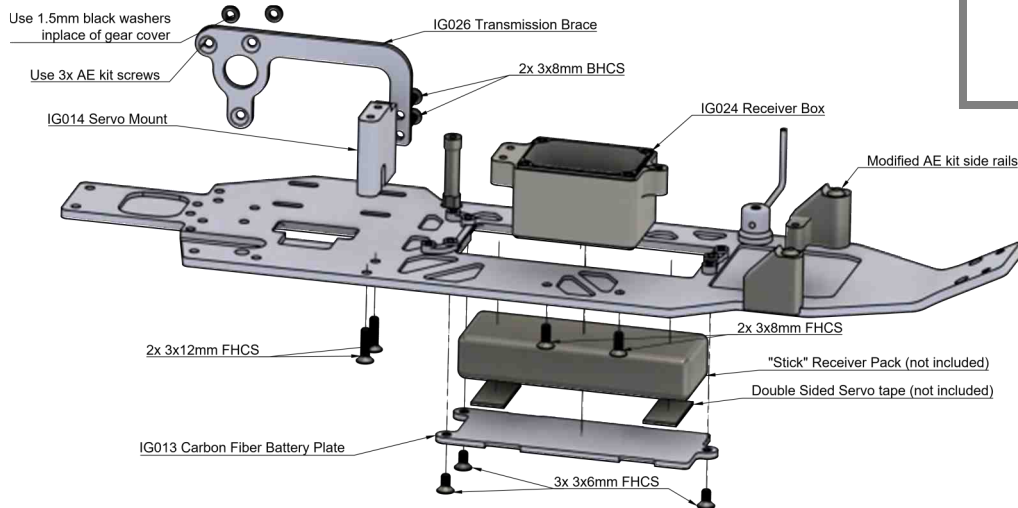


STEP 1

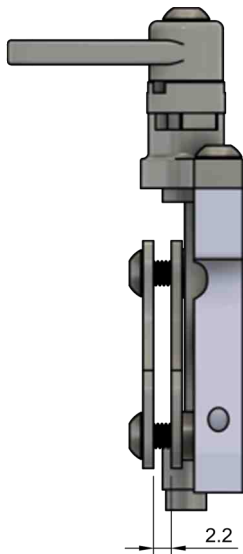
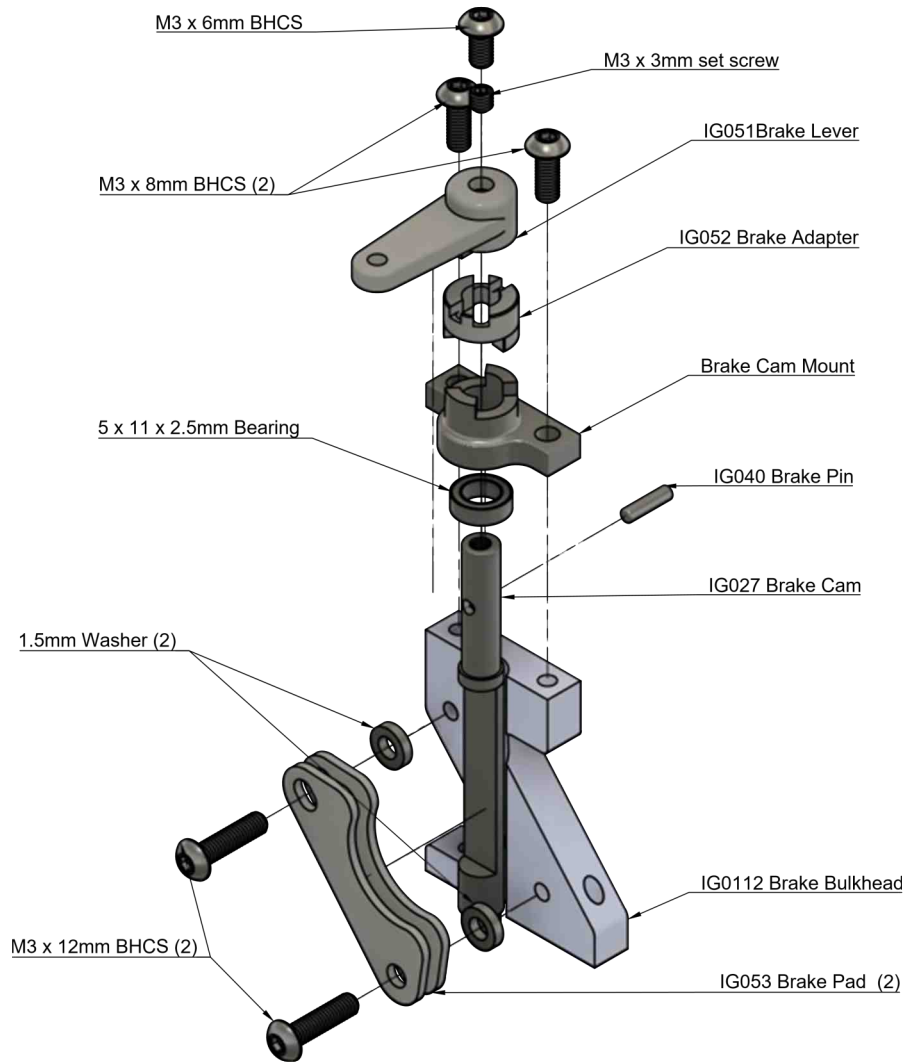
Clearance right rear a-arm for spur gear



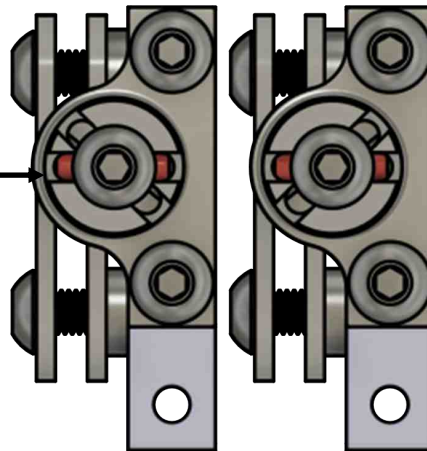
STEP 2



STEP 3



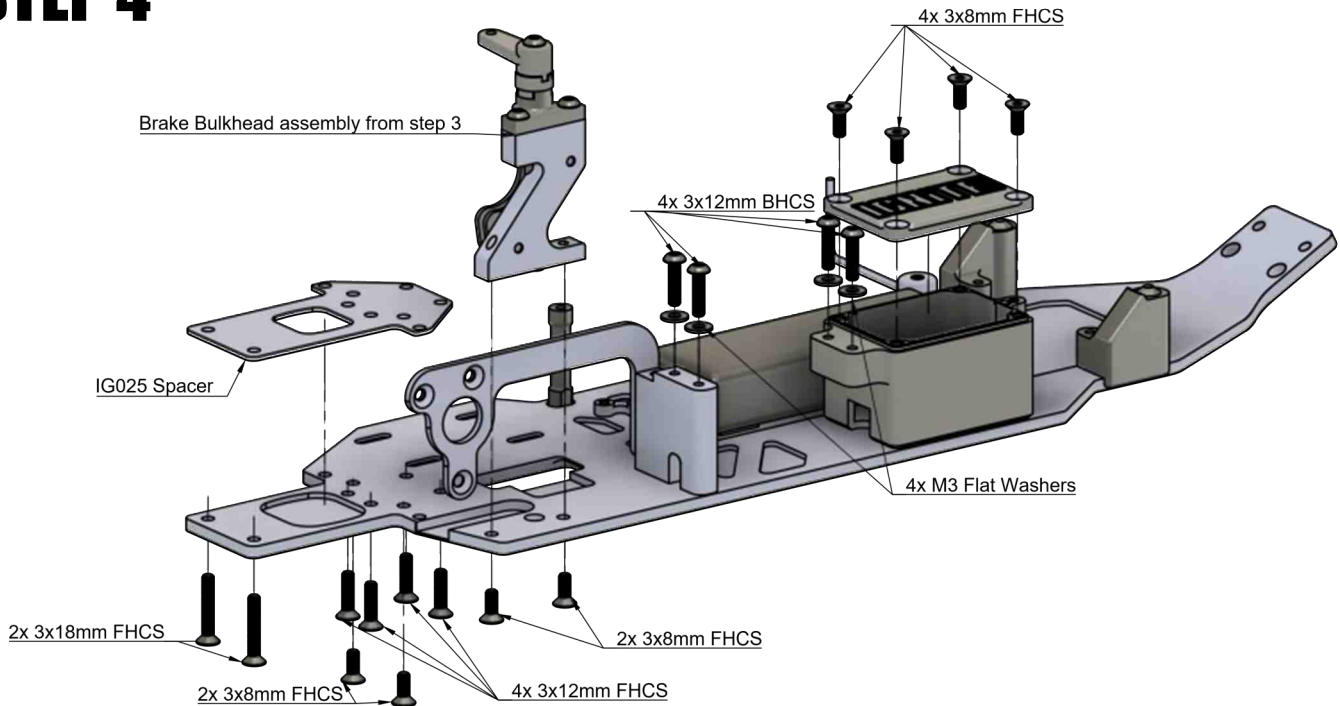
Note the orientation of IG052 depending on your carburetor style



Slide

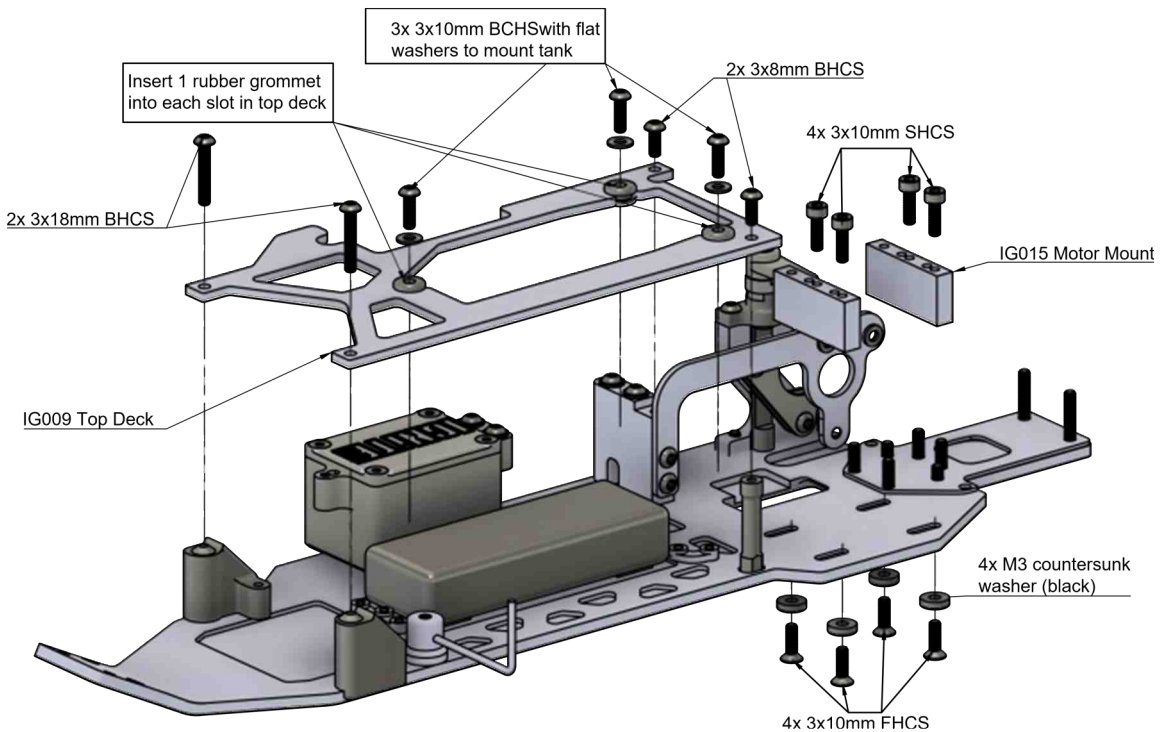
Rotary

STEP 4

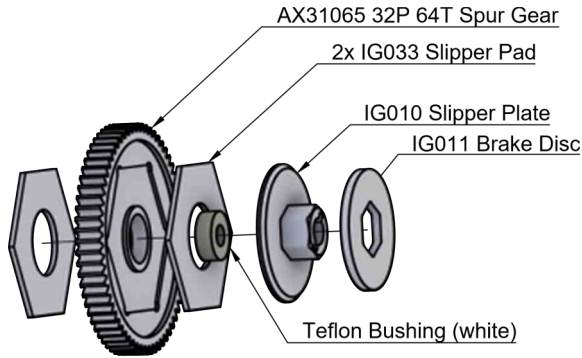


STEP 5

*Install tank in top deck before all other assembly



STEP 6



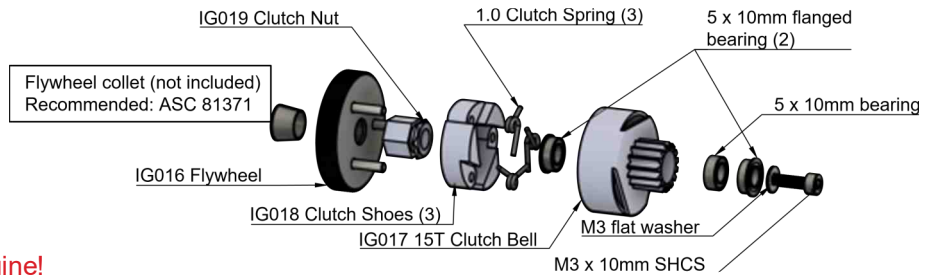
Assemble with section 12, step 4 of your Team Associated manual:

You will use #91803 (inner slipper plate) from your kit in this step

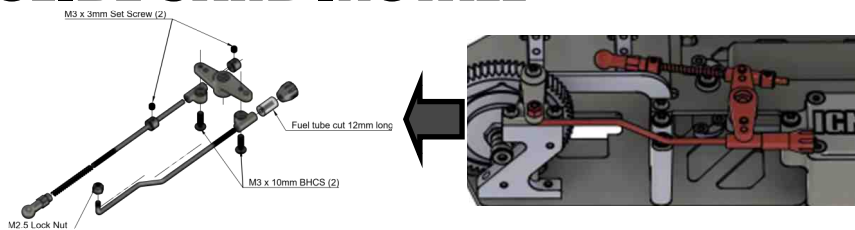
STEP 7

Use plastic protected pliers to hold flywheel while tightening clutch nut with a 3/8" socket.

Careful not to overtighten as you could damage your engine!

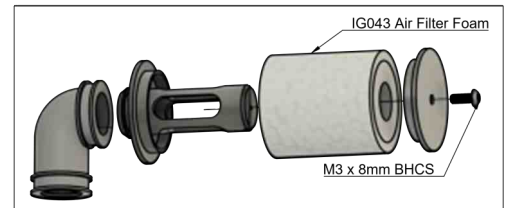


SLIDE CARB INSTALL



Saturate filter element with filter oil and blot excess with paper towel.
 Secure air filter boot with zip ties on each end.

IG054 Air Filter Kit



ROTARY CARB INSTALL

