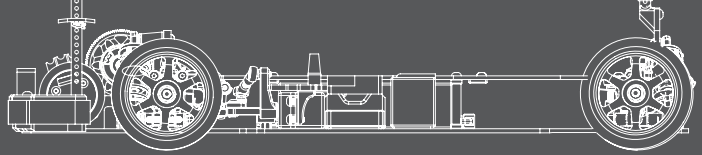


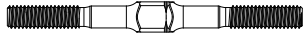
EXECUTE **FT15**

1/10 SPORT FWD TOURING CAR

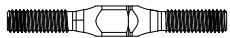
INSTRUCTION MANUAL



Bag A , Screw Bag and Bag Ball



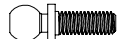
Turnbuckle M3 x 39mm
XP-10157



Turnbuckle M3 x 29mm
XP-10156



Turnbuckle M3 x 18mm
XP-10157



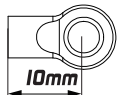
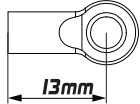
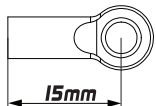
4.8mm Ball End 8mm Thread
XP-10150



4.8mm Ball End 6mm Thread
XP-10149



4.8mm Ball End 5mm Thread
XP-10148



Low Profile Ball End Set
XP-10254

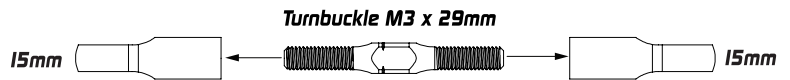


Stabilizer Connector
XP-10326

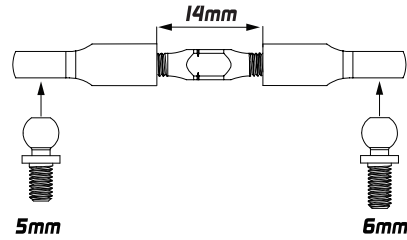


Hex Set Screw M3 x 8mm
XP-40054

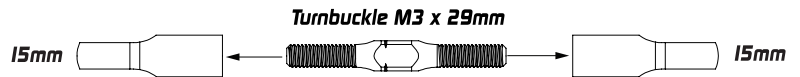
2X



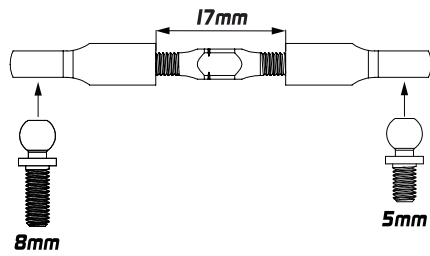
For Rear Camber Link



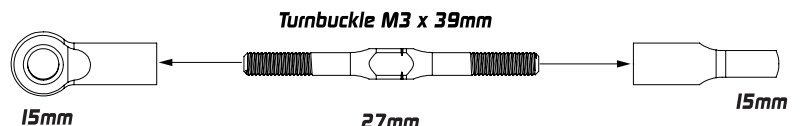
2X



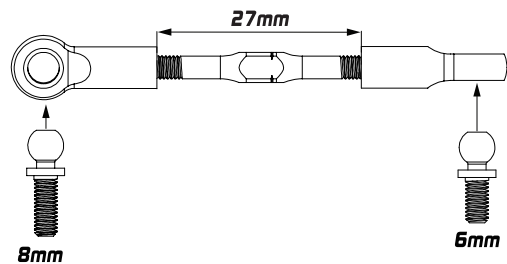
For Front Camber Link



2X



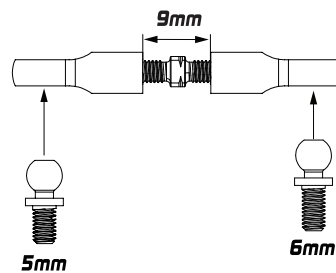
For Steering



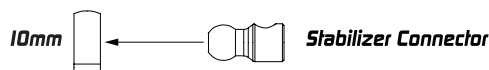
1X



For Servo

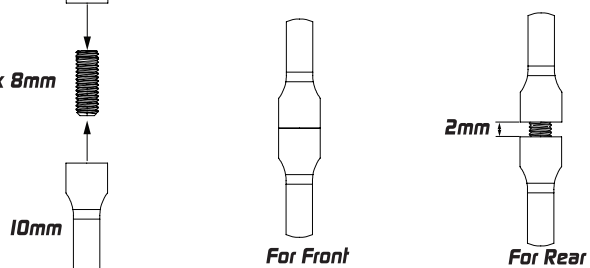


4X



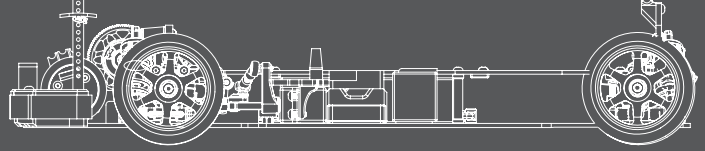
For Swaybar

Hex Set Screw M3 x 8mm

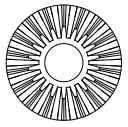


For Front

For Rear



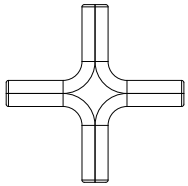
Bag B and Bearing Bag



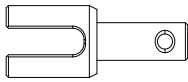
Bevel Gears 18T
XP-10009



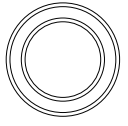
Bevel Gears 10T
XP-10009



Gear Diff Cross Pin
XP-10009



Steel Gear Diff Outdrive Adapter
XP-10288



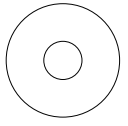
Bearing 10 x 15 x 4mm
XP-40065



O-ring 5 x 2mm
XP-10184



Pin 2 x 9.8mm
XP-40069



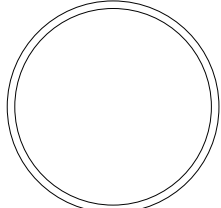
Spacer 5 x 15 x 0.4mm
XP-10181



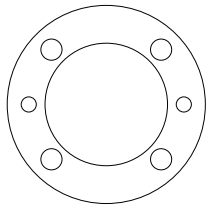
Spacer 3.6 x 9.5 x 0.2mm
XP-10182



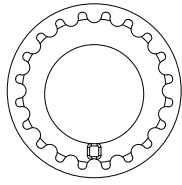
Flat Head Screw M2.5 x 10mm
XP-40044



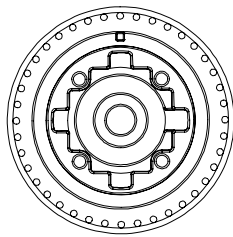
O-ring 25 x 1mm
XP-10183



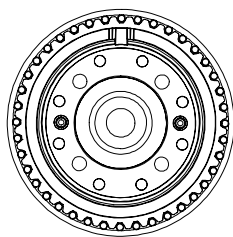
Diff Gasket
XP-10179



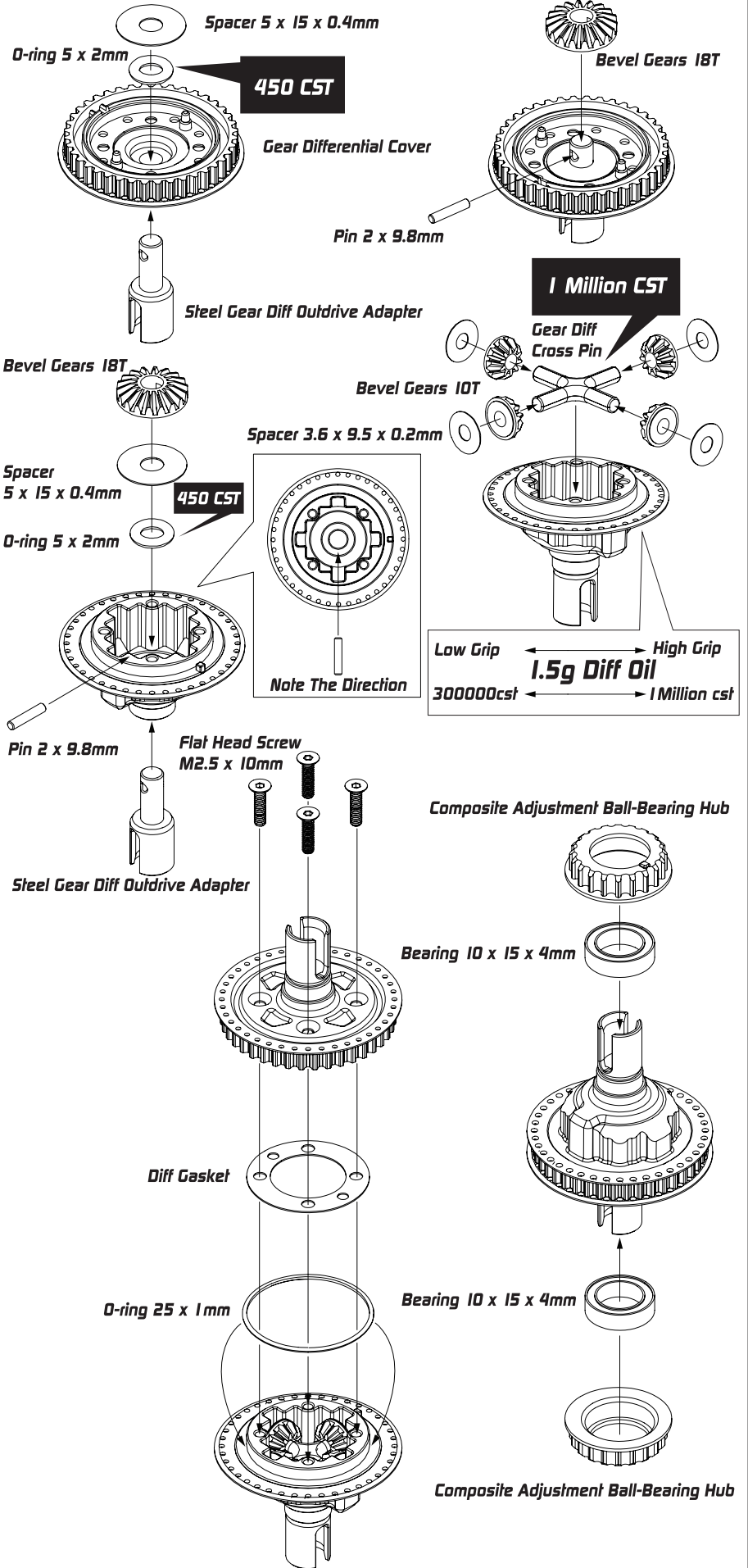
Composite Adjustment
Ball-Bearing Hub
XP-10107

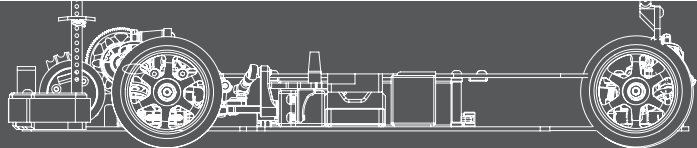


Gear Differential Case
XP-10008

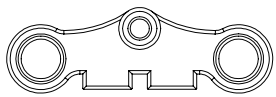


Gear Differential Cover
XP-10008





Bag C, FRP, Screw and Bearing Bag



Option: XP-10113

Composite Steering Plate For Dual Servo Saver XP-10261



Option: XP-10111

Composite Dual Servo Saver Arm XP-10261



Bearing 5 x 8 x 2.5mm XP-40061



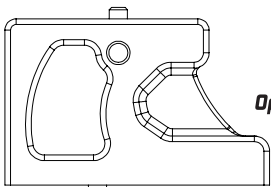
Bearing 3 x 6 x 2.5mm XP-40060



Round Head Screw M3 x 8mm XP-40038

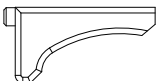


Button Head Screw M3 x 6mm XP-40037

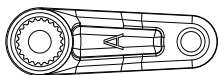


Option: XP-10136

Composite Servo Mount XP-10261



Composite Servo Side Mount XP-10261



Servo Horn 23T for Sanwa, KO XP-10163

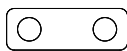


Servo Horn 25T for Futaba XP-10163



Battery Stopper XP-10185

FRP Floating Servo Holder 3.0mm XP-10263 Option: XP-10137



Servo Spacer XP-10136



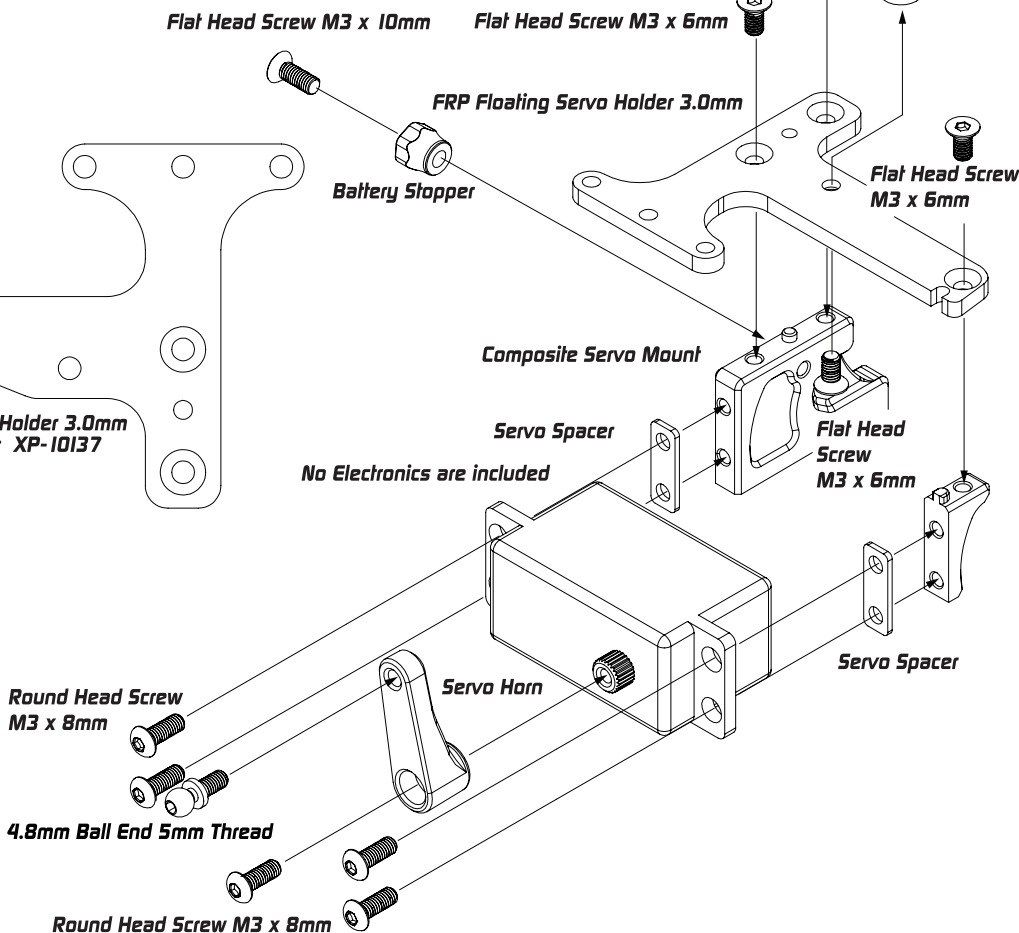
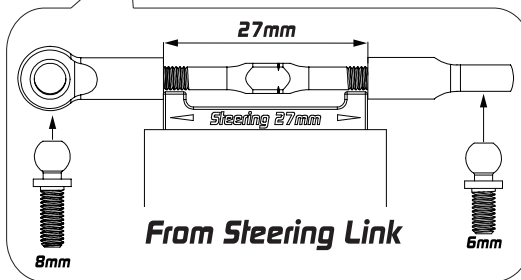
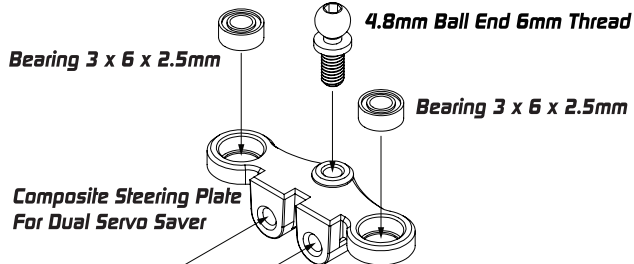
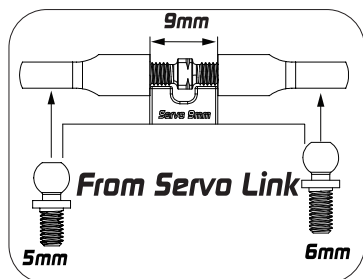
Antenna Holder XP-10001

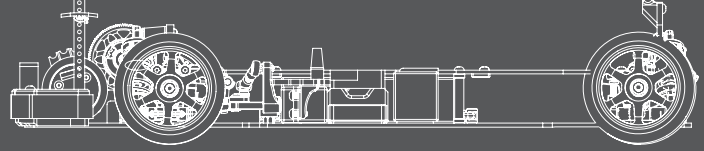


Flat Head Screw M3 x 10mm XP-40049

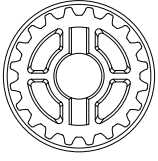


Flat Head Screw M3 x 6mm XP-40046

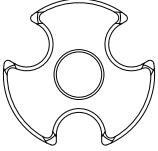




Bag D, E and Screw Bag



20T Center Pulley
XP-10134



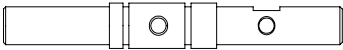
Center Pulley Cover
XP-10134



M5 E-Clip
XP-40058



Pin 2 x 9.8mm
XP-40069

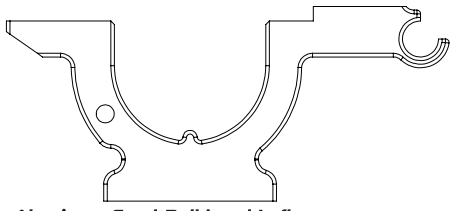


Steel Gearbox Shaft
XP-10431

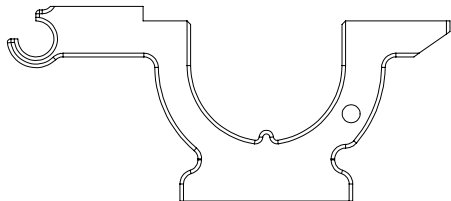


Flat Head Screw M3 x 8mm
XP-40048

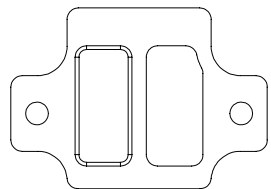
Optional



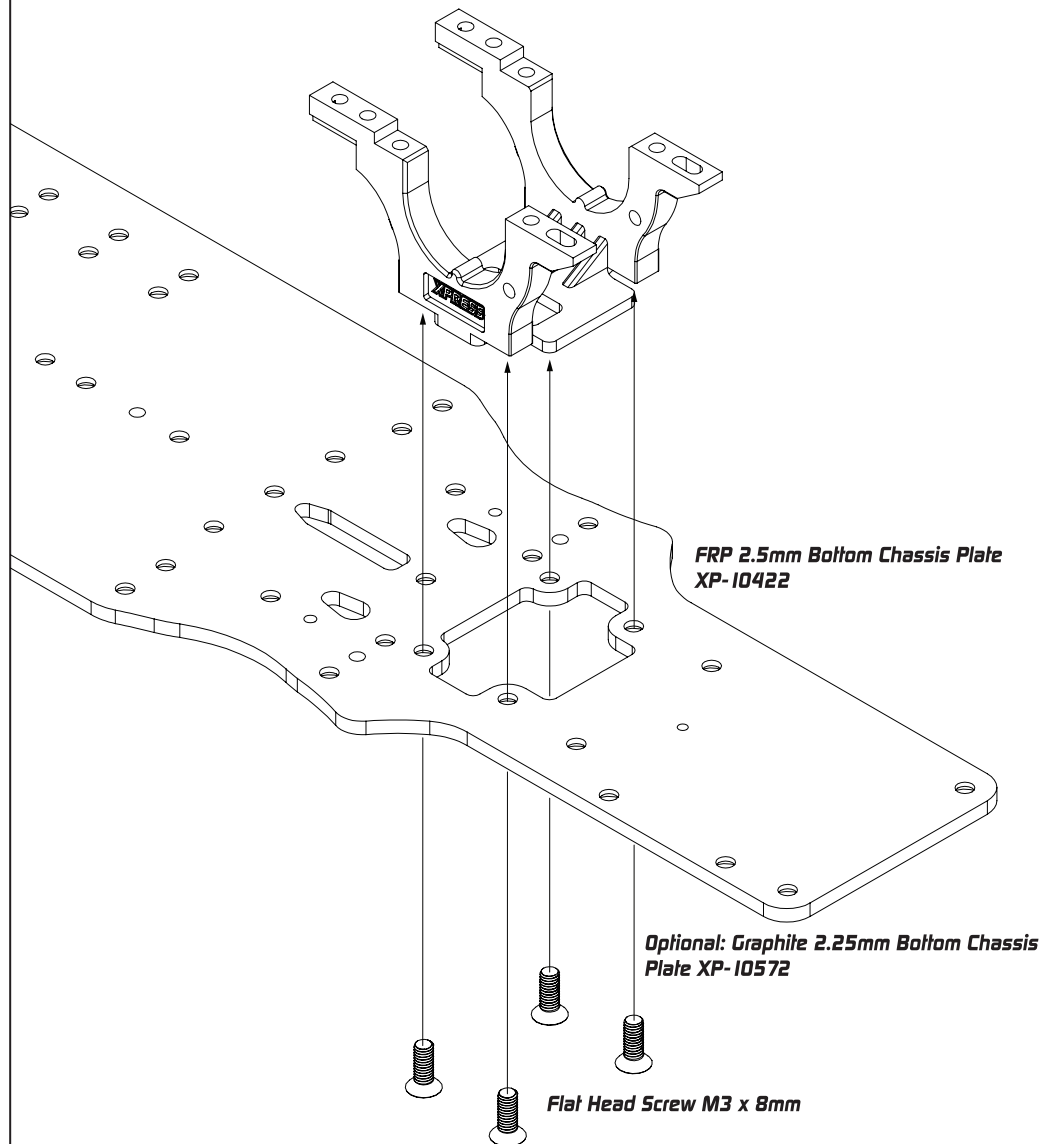
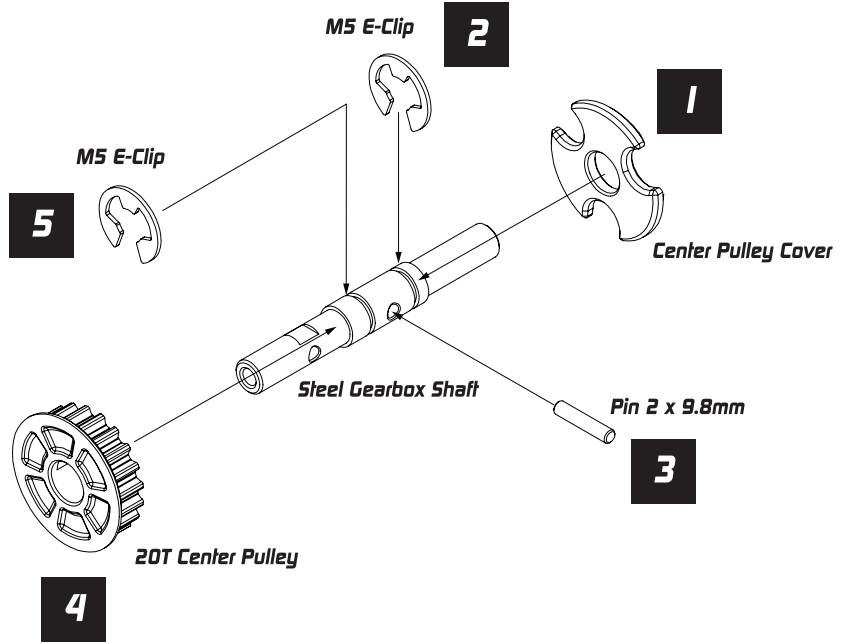
Aluminum Front Bulkhead Left
XP-10423

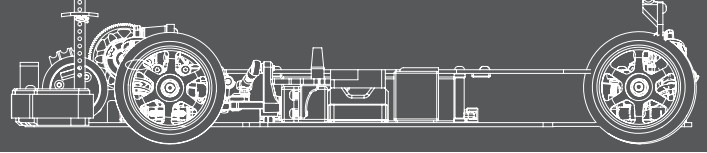


Aluminum Front Bulkhead Right
XP-10424

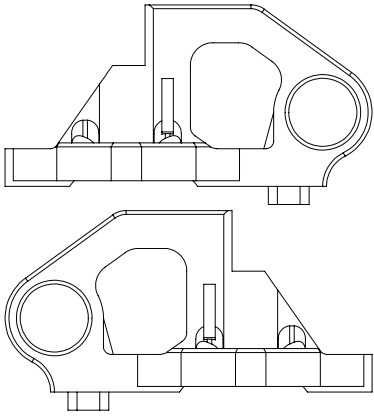


Brass Lower Bulkhead Plate
XP-10432





Bag D , E, Screw and Bearing Bag



**Composite Upper Bulkhead Set
XP-10569**

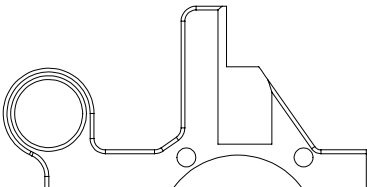


**Bearing 5 x 10 x 4mm
XP-40064**

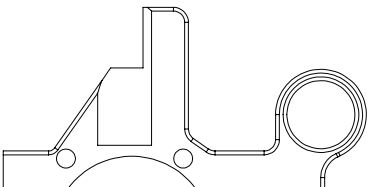


**Round Head Screw M3 x 8mm
XP-40038**

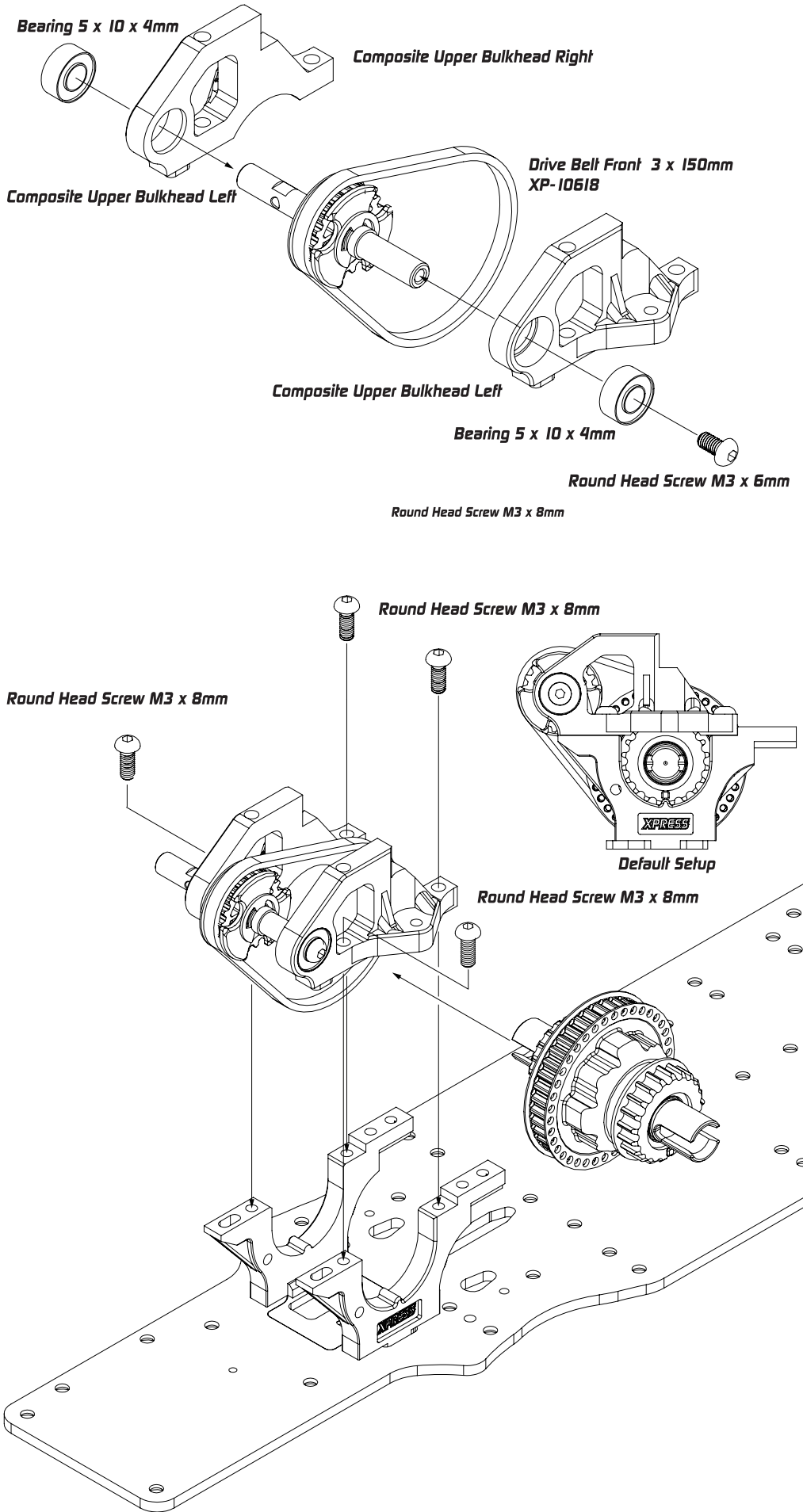
Optional

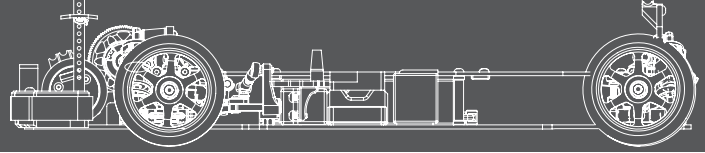


**Aluminum Front Upper Clamp Left
XP-10425**



**Aluminum Front Upper Clamp Right
XP-10426**

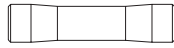




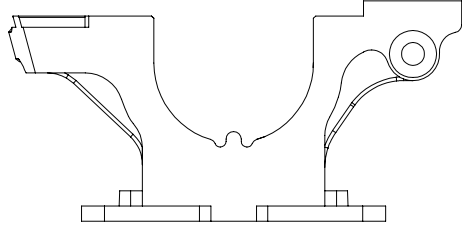
Bag F , Screw



Round Head Screw M3 x 8mm
XP-40038



XQ15 Aluminum Center Post
XP-10259

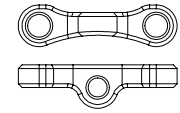


Composite Lower Bulkhead
XP-10229

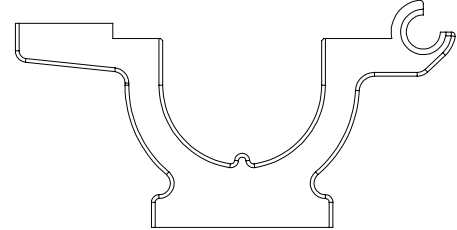


Flat Head Screw M3 x 8mm
XP-40048

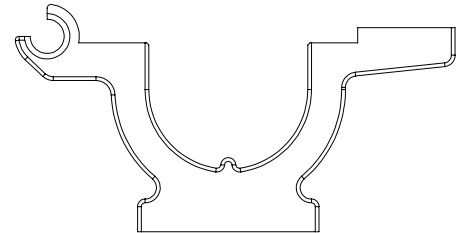
Optional



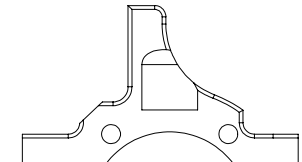
Camberlink Mount Front
XP-10105



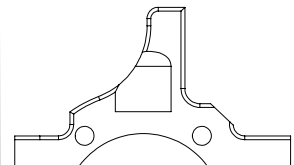
Separate Bulkhead Type A
XP-10588



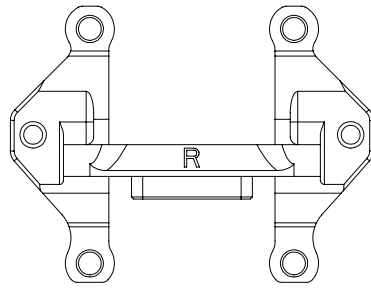
Separate Bulkhead Type B
XP-10589



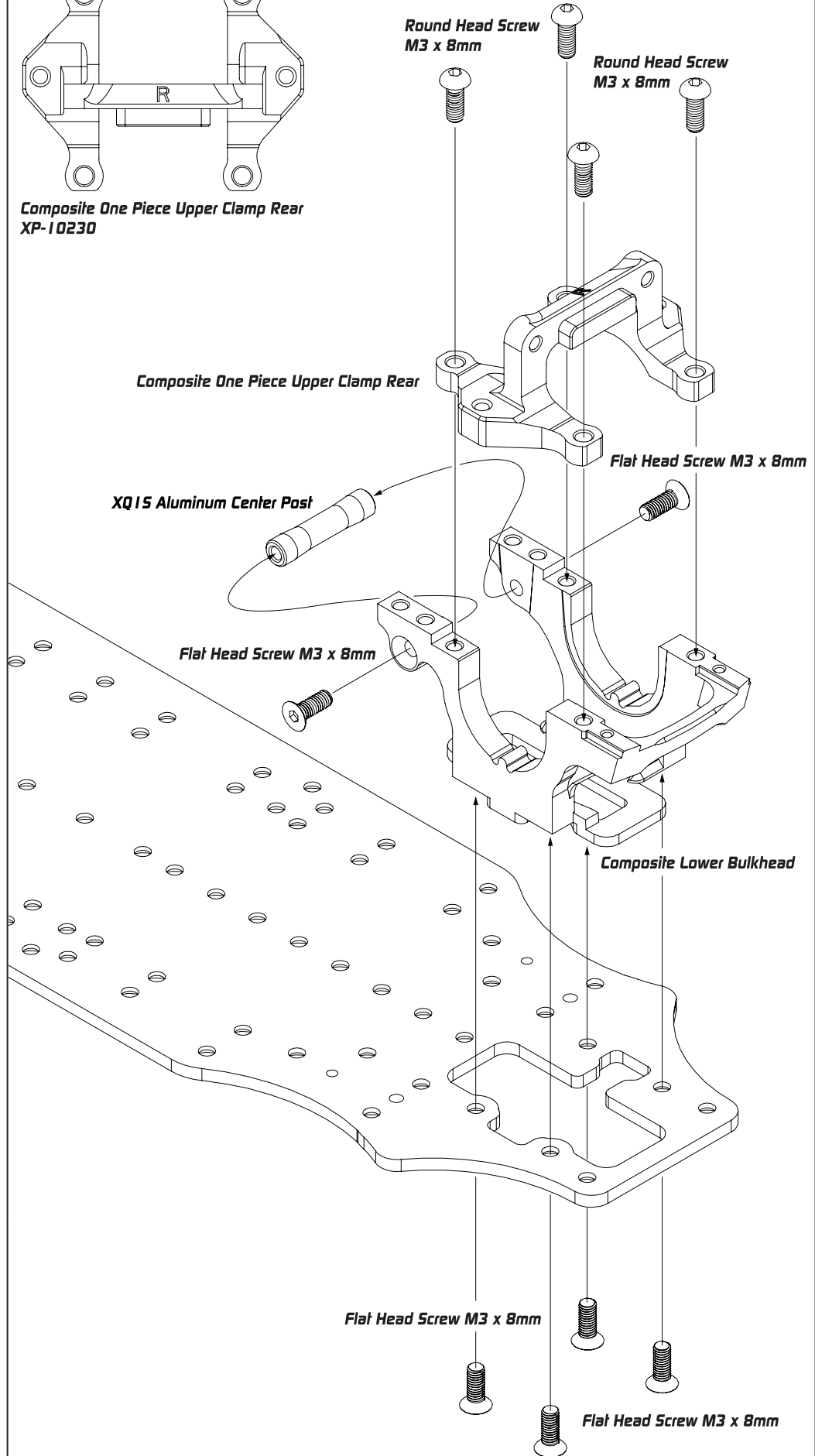
Separate Upper Bulkhead RR
XP-10590

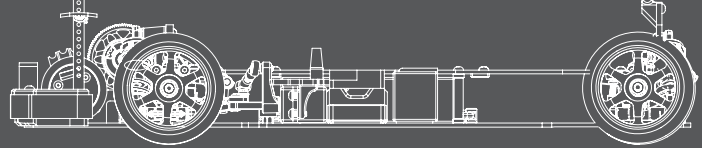


Separate Upper Bulkhead RL
XP-10591



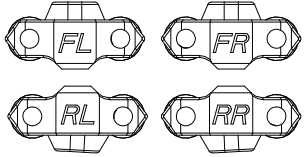
Composite One Piece Upper Clamp Rear
XP-10230





Bag G and Screw Bag

 **Alu Steering Post For Dual Servo Saver 11.5mm XP-10494**

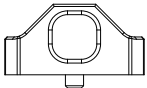


Composite Lower 2-Piece Suspension Holder FL,FR,RL,RR XP-10260

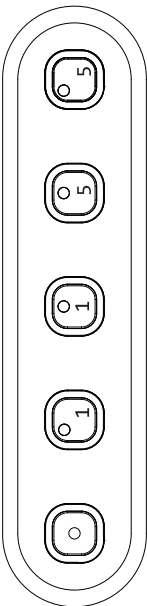
 **Flat Head Screw M3 x 6mm XP-40046**

 **Button Head Screw M3 x 6mm XP-40037**

Optional

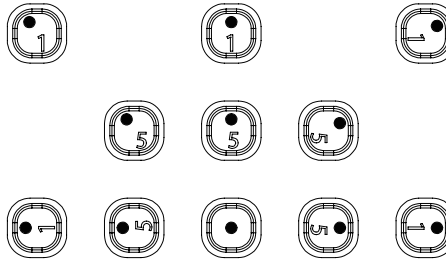


Alu Lower 2-Piece Suspension Holder XP-10123



Eccentric Bushing Set XP-10127

Optional



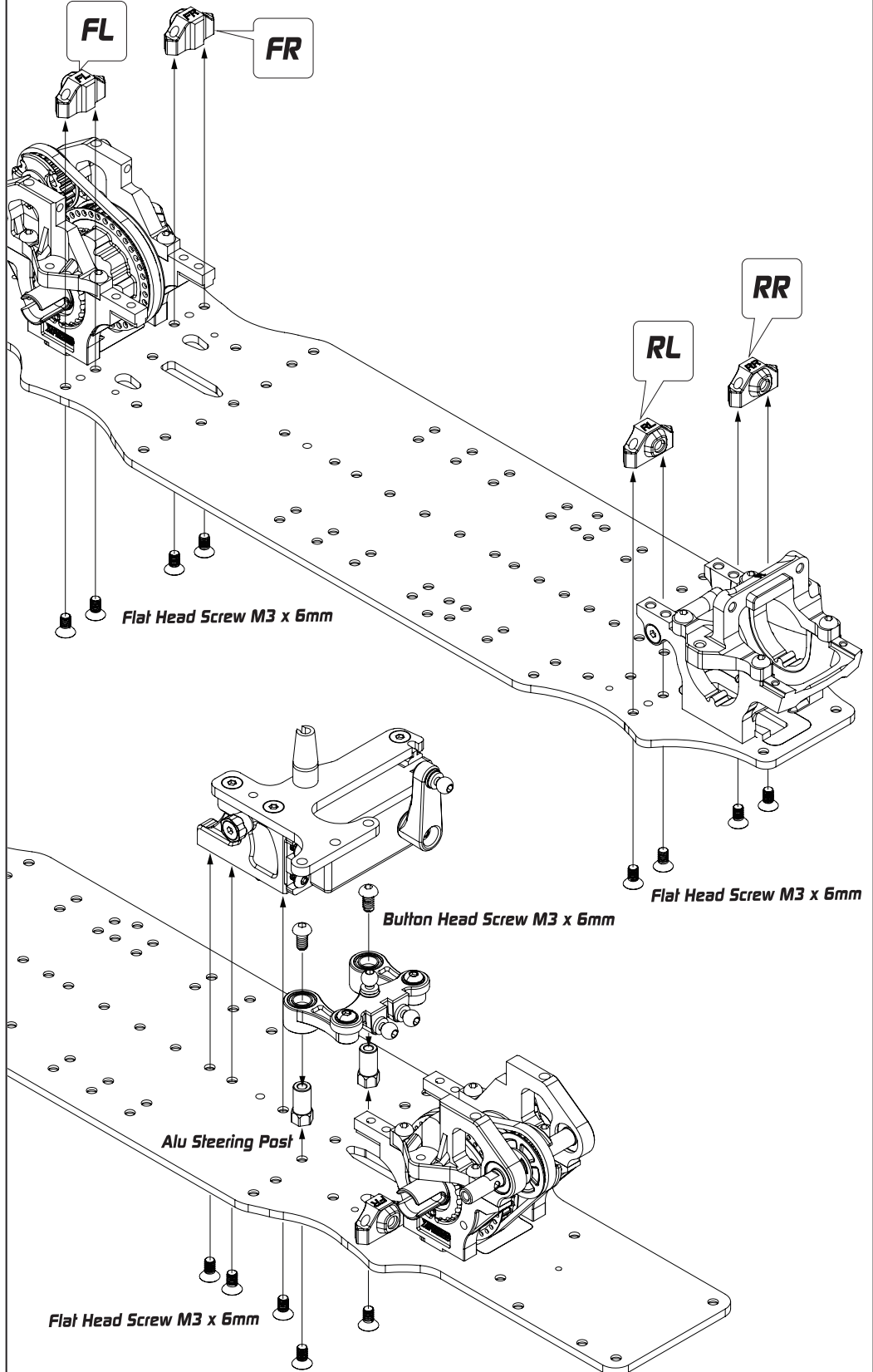
Diagonal Offset
Use either 0.5 or 1 mm to shift the roll center in a diagonal direction from the center.

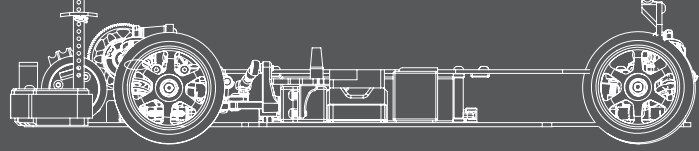
4X



Alu Lower 2-Piece Suspension Holder XP-10123

Horizontal Offset
Choice of either 0.5 or 1 mm offset from center





Bag E , Bag FRP and Screw



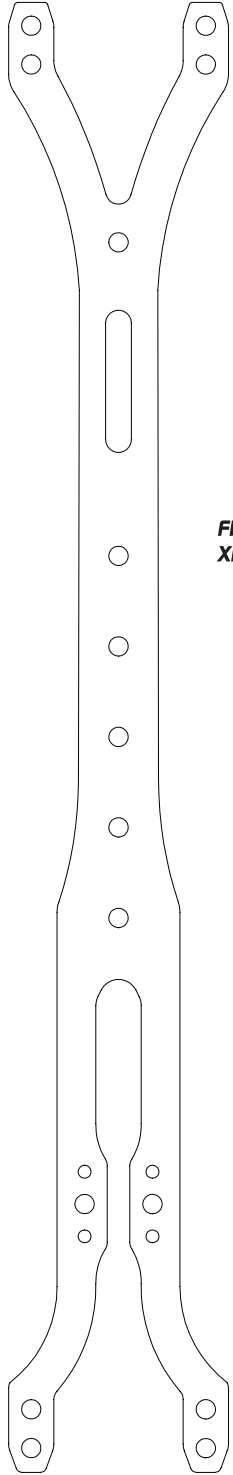
**Button Head Screw M3 x 6mm
XP-40037**



**Flat Head Screw M3 x 6mm
XP-40046**

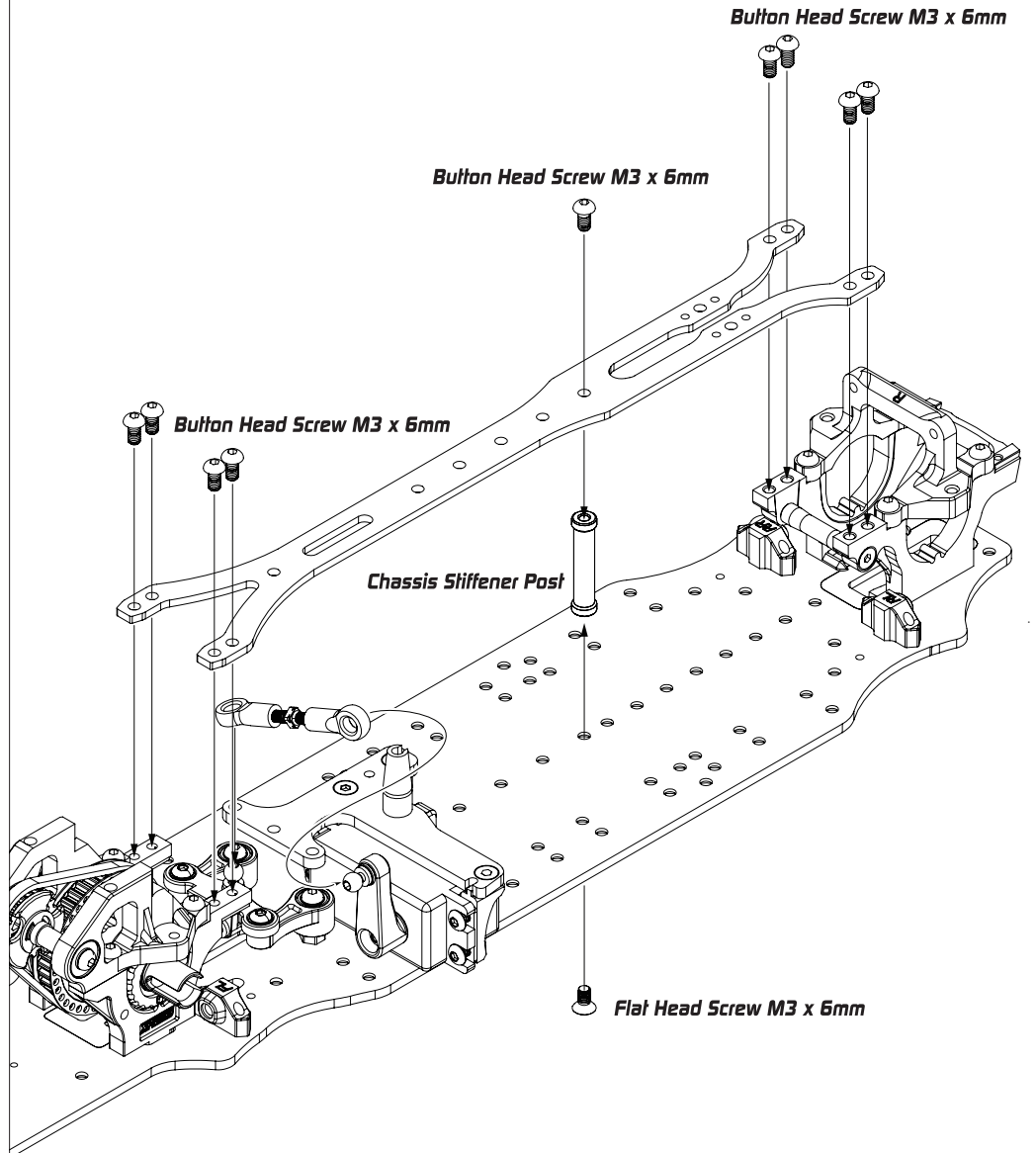
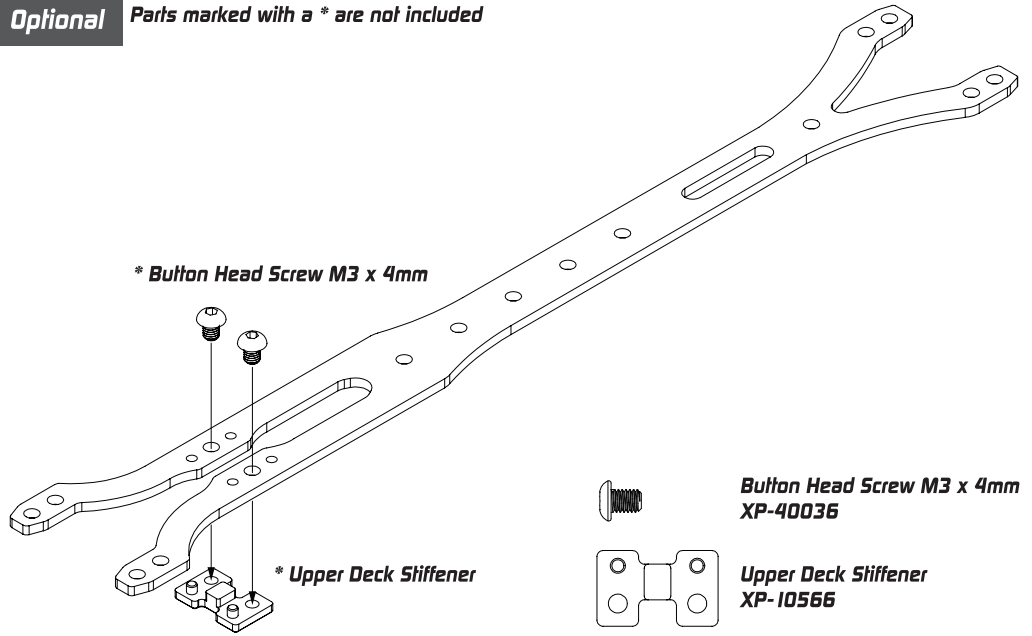


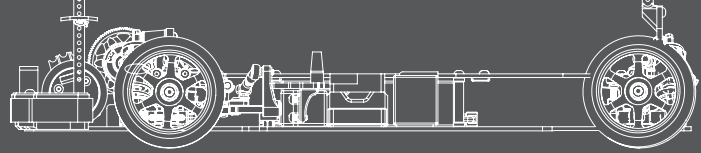
**Chassis Stiffener Post
XP-10617**



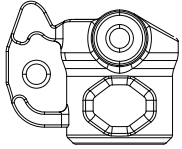
**FRP 2.0mm Top Deck
XP-10631**

Optional Parts marked with a * are not included

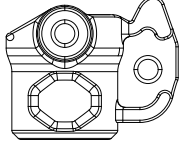




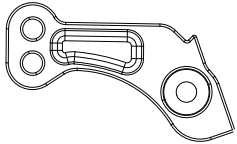
Bag H , Bag Bearing and Screw Bag



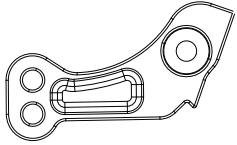
Composite Steering Block Right XP-10109



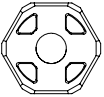
Composite Steering Block Left XP-10109



Composite Steering Block Plate Right XP-10109



Composite Steering Block Plate Left XP-10109



Composite Wheel Hub XP-10262



Bearing 5 x 10 x 4mm XP-40064



Pin 2 x 9.8mm XP-40069



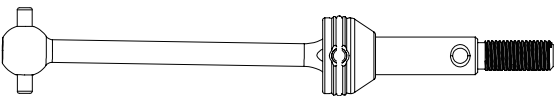
Round Head Screw M3 x 8mm XP-40038



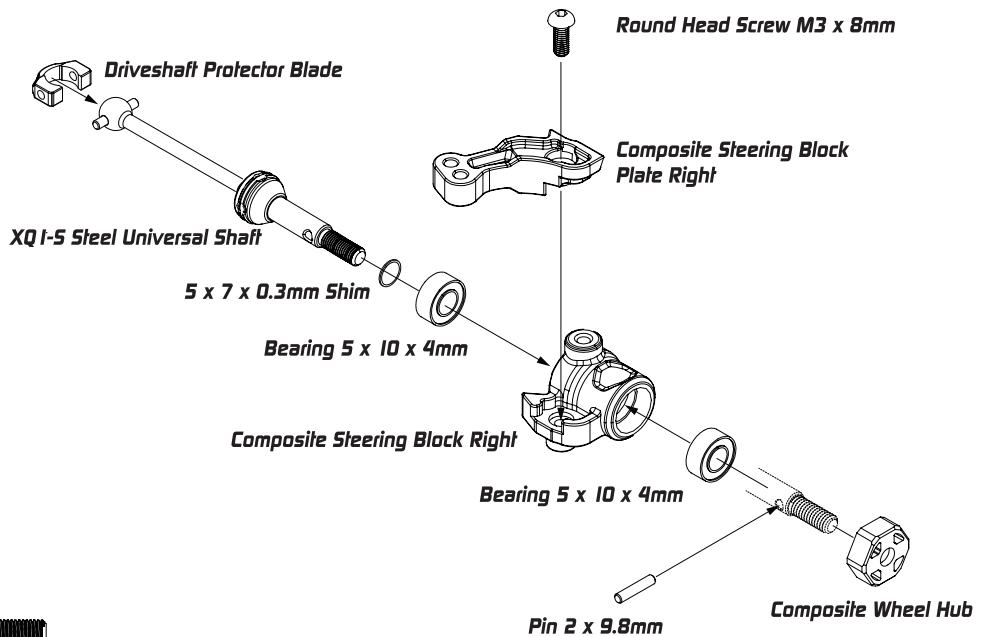
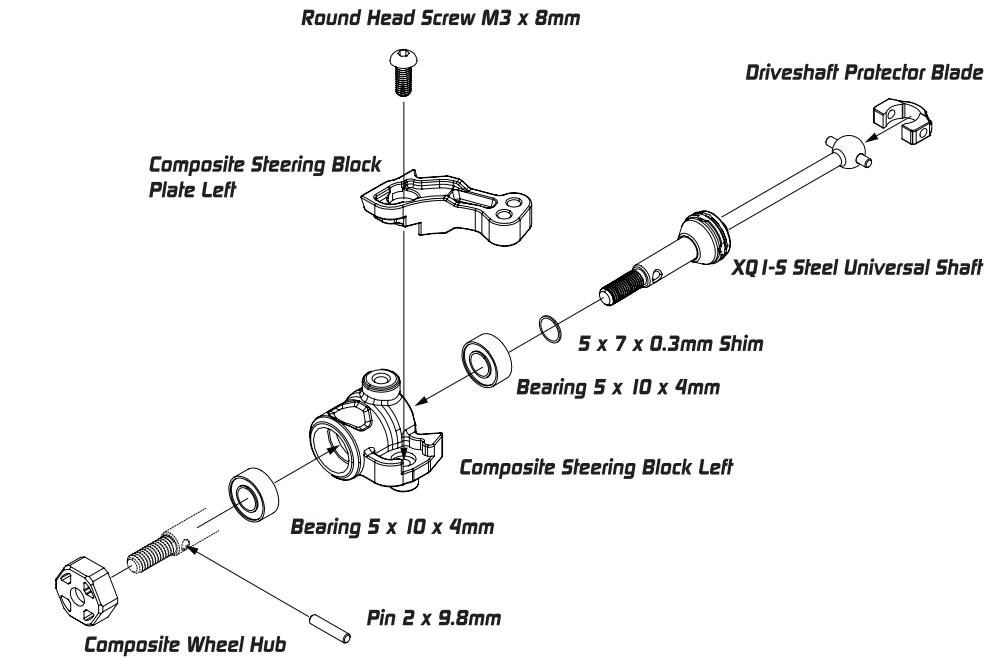
5 x 7 x 0.3mm Spacer XP-40118



Driveshaft Protector Blade XP-10128



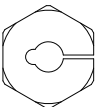
XQ I-5 Steel Universal Shaft XP-10244



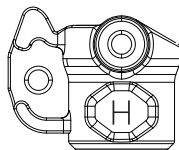
Optional



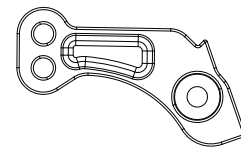
Cap Head Screw M1.6 x 4mm XP-10129



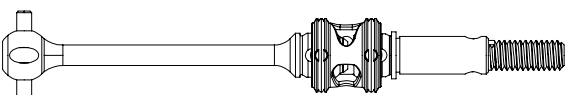
Alu Wheel Hub Red XP-10129



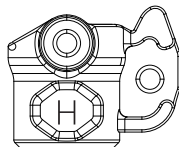
Hard Composite Steering Block Right XP-10247



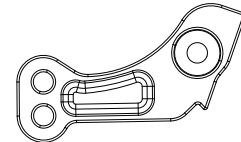
Hard Composite Steering Block Plate Right XP-10247



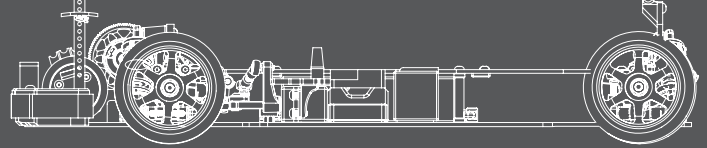
39.3mm Spring Steel Double Joint Universal Shaft 2pcs XP-10334



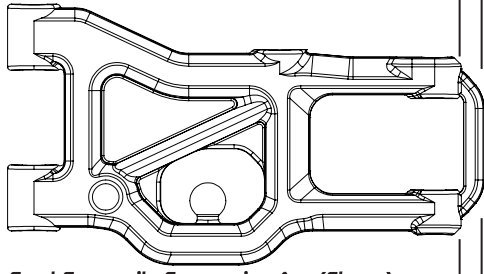
Hard Composite Steering Block Left XP-10247



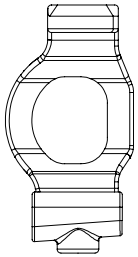
Hard Composite Steering Block Plate Left XP-10247



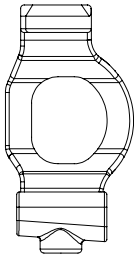
Bag H, I and Bag Screw



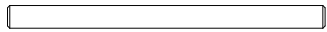
Front Composite Suspension Arm (Strong)
XP-10603 Optional XP-10597 (Strong Hard)



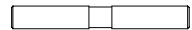
Composite C Hub 4 Degree L (Strong)
XP-10604
Optional XP-10598



Composite C Hub 4 Degree R (Strong)
XP-10604
Optional XP-10598



Suspension Pivot Pin 3 x 42mm
XP-10139



3mm Outer Suspension Pin w/ Groove
XP-10602



Set Screw M3 x 3mm
XP-40052

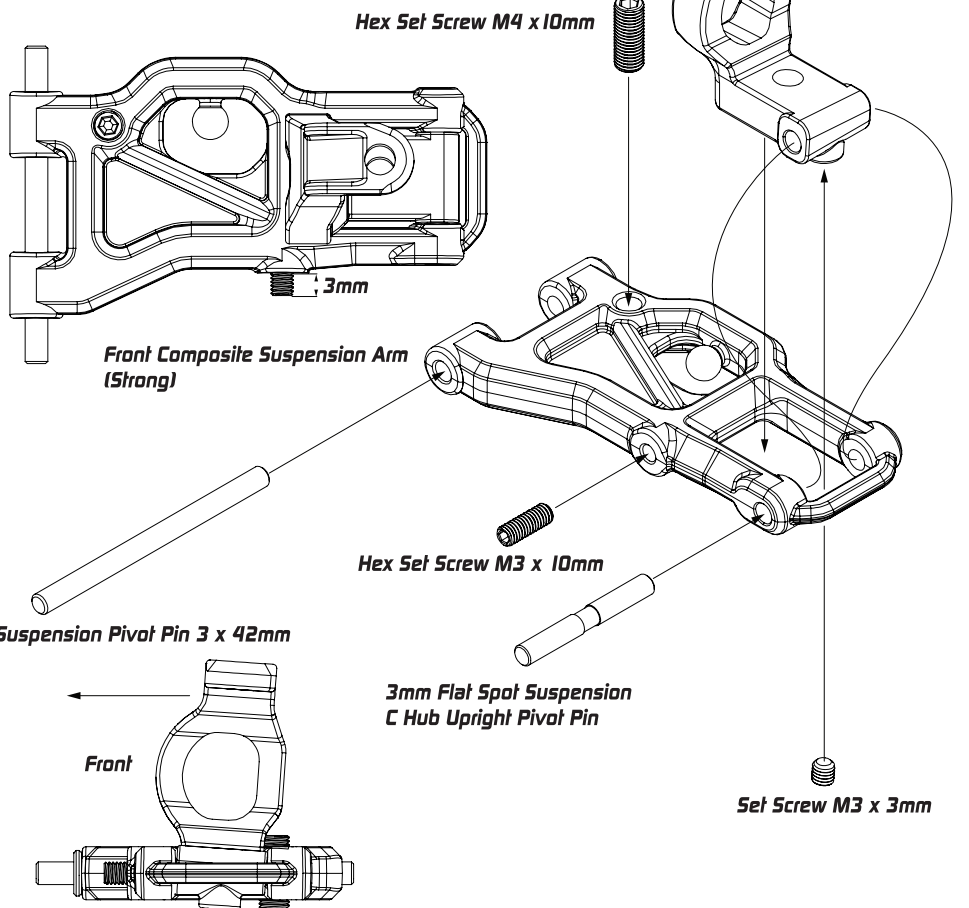
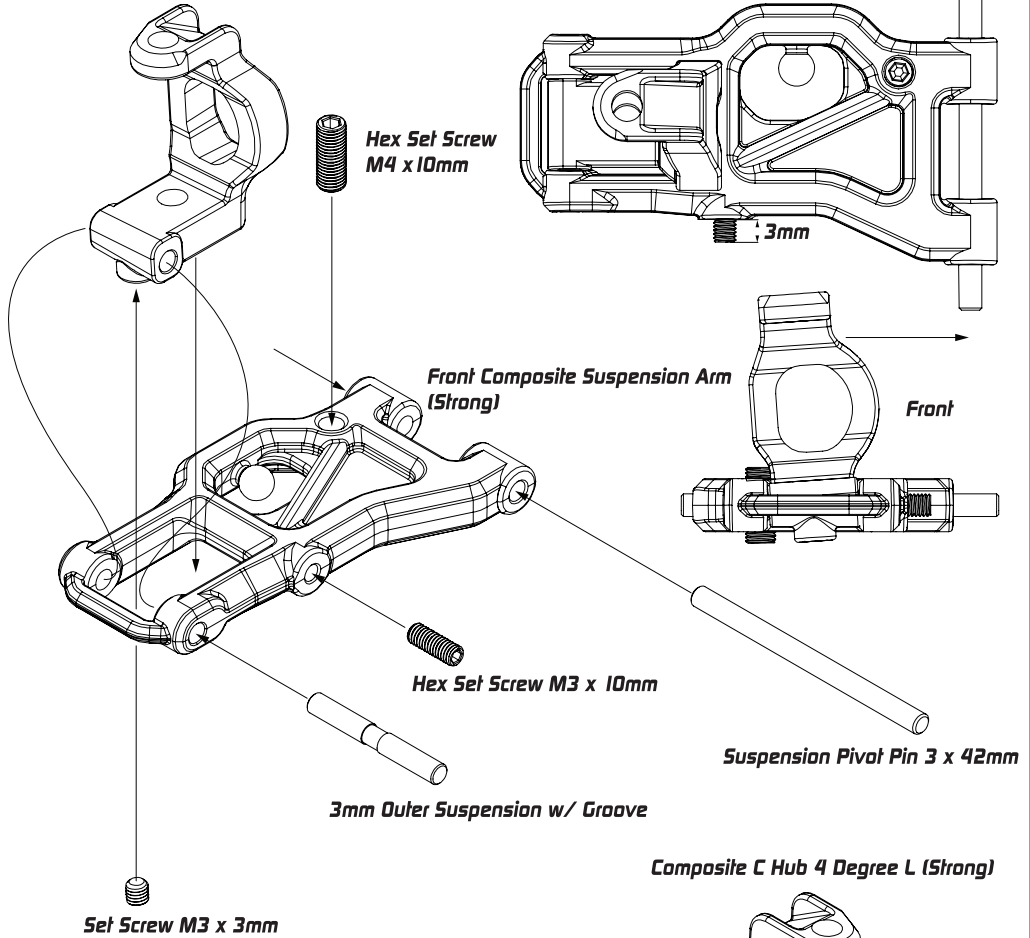


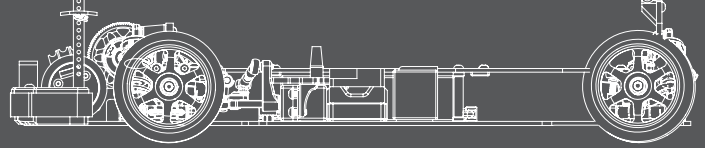
Hex Set Screw M4 x 10mm
XP-40056



Hex Set Screw M3 x 10mm
XP-40055

Composite C Hub 4 Degree R (Strong)

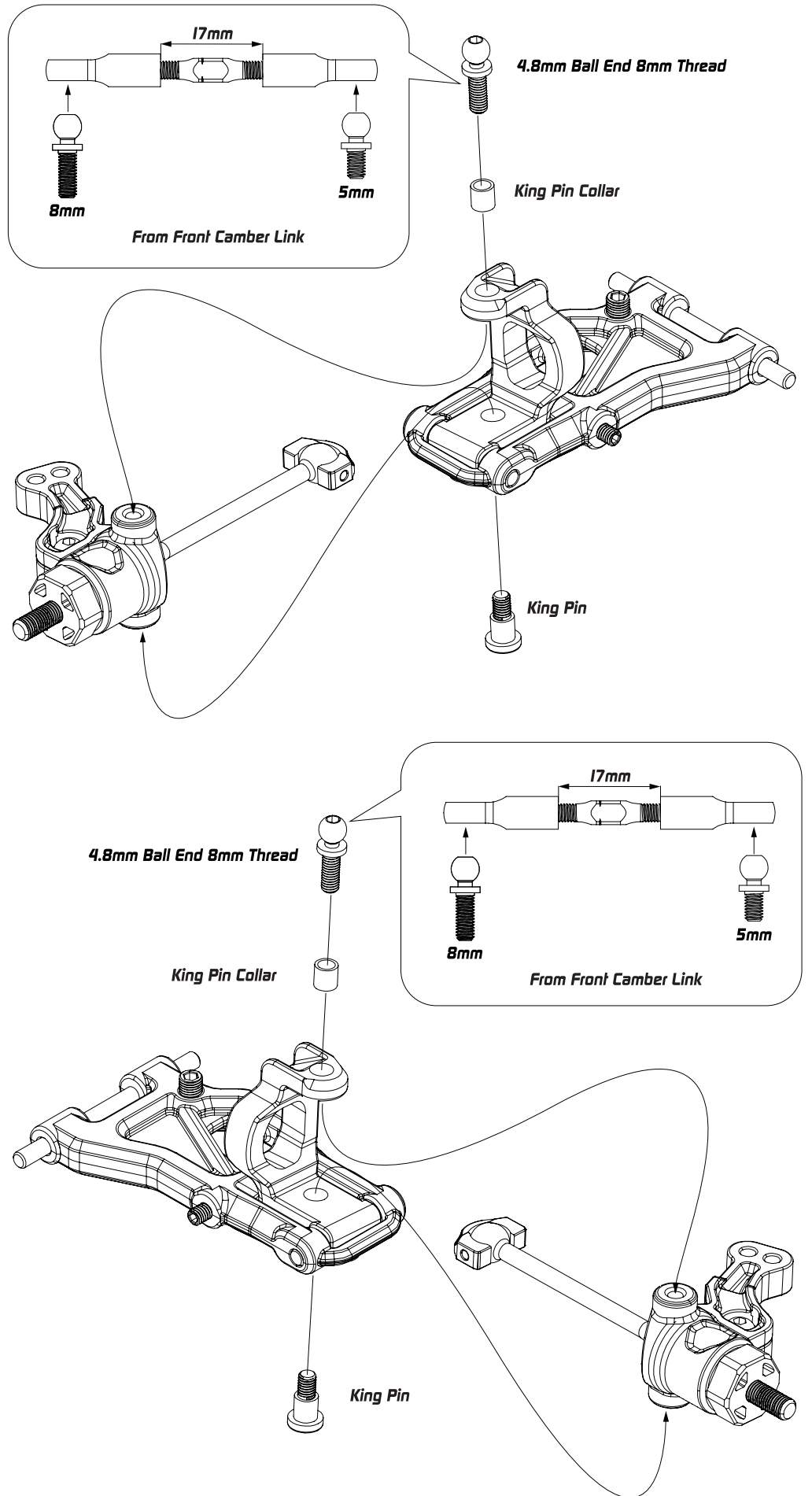


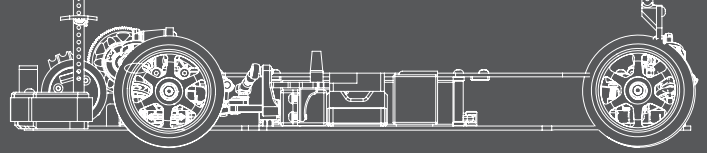


Bag H

 King Pin Collar
XP-10164

 King Pin
XP-10164

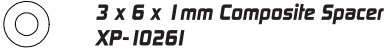




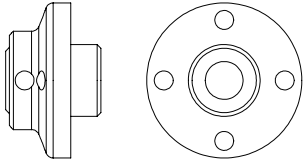
Bag D , H and Screw Bag



Composite Suspension Mount - FF
XP-10260



3 x 6 x 1 mm Composite Spacer
XP-10261



Spur Gear Adaptor
XP-10567



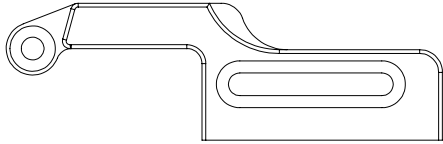
Button Head Screw M3 x 6mm
XP-40037



Set Screw M3 x 3mm
XP-40052



Pin 2 x 9.8mm
XP-40069

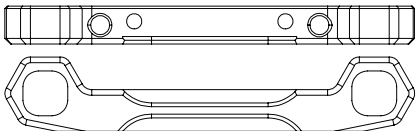


Aluminum Motor Mount
XP-10427

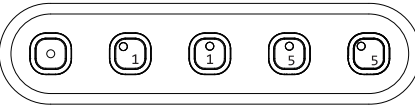


Flat Head Screw M3 x 6mm
XP-40046

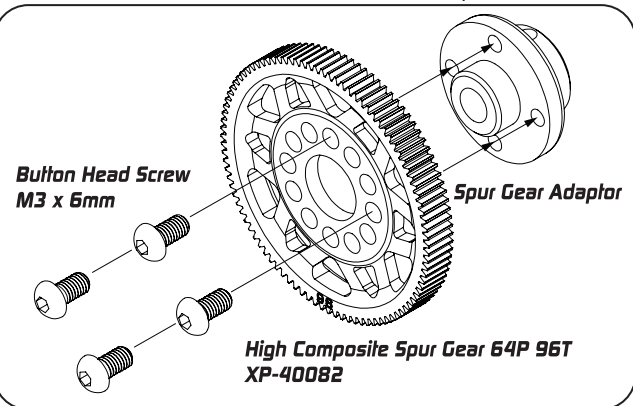
Optional



Alu Front Lower I-Piece Suspension Holder FF
XP-10114



Eccentric Bushing Set
XP-10127

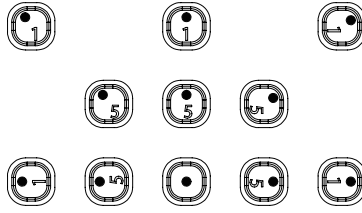


Button Head Screw
M3 x 6mm

Spur Gear Adaptor

High Composite Spur Gear 64P 96T
XP-40082

Optional



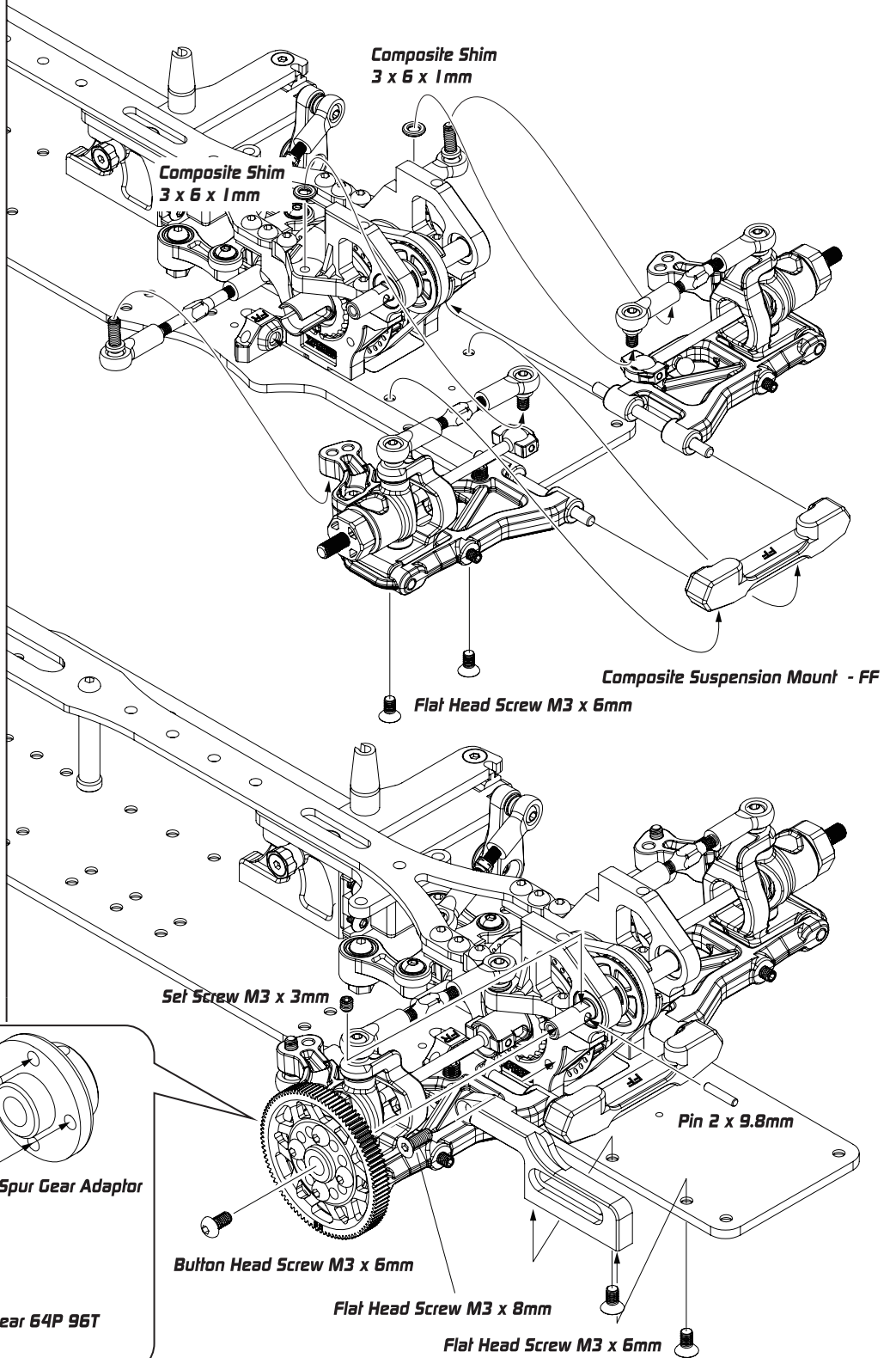
Default Setup

Diagonal Offset
Use either 0.5 or 1 mm to shift the roll center in a diagonal direction from the center.

Eccentric Bushing Set

Horizontal Offset
Choice of either 0.5 or 1 mm offset from center

Alu Front Lower I-Piece Suspension Holder - FF



Composite Shim
3 x 6 x 1 mm

Composite Shim
3 x 6 x 1 mm

Composite Suspension Mount - FF

Flat Head Screw M3 x 6mm

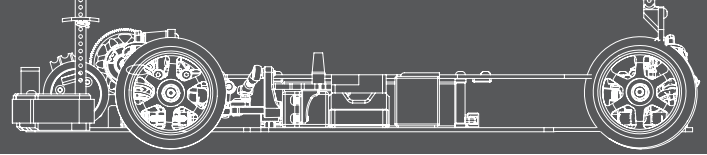
Set Screw M3 x 3mm

Pin 2 x 9.8mm

Button Head Screw M3 x 6mm

Flat Head Screw M3 x 8mm

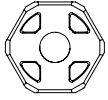
Flat Head Screw M3 x 6mm



Bag 1, Bearing and Screw



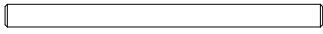
Bearing 5 x 10 x 4mm
XP-40064



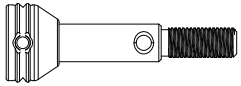
Composite Wheel Hub
XP-10262



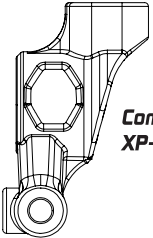
Pin 2 x 9.8mm
XP-40069



Suspension Pivot Pin 3 x 42mm
XP-10139



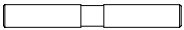
Rear Axle
XP-10576



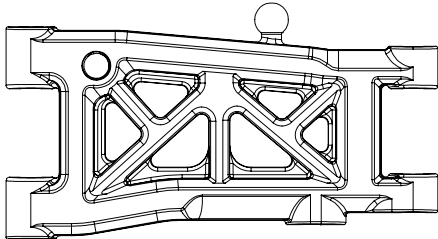
Composite Rear Upright (Strong)
XP-10605



Set Screw M3 x 3mm
XP-40052



3mm Outer Suspension Pin w/ Groove
XP-10602

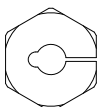


Composite Suspension Rear (Strong)
XP-10606

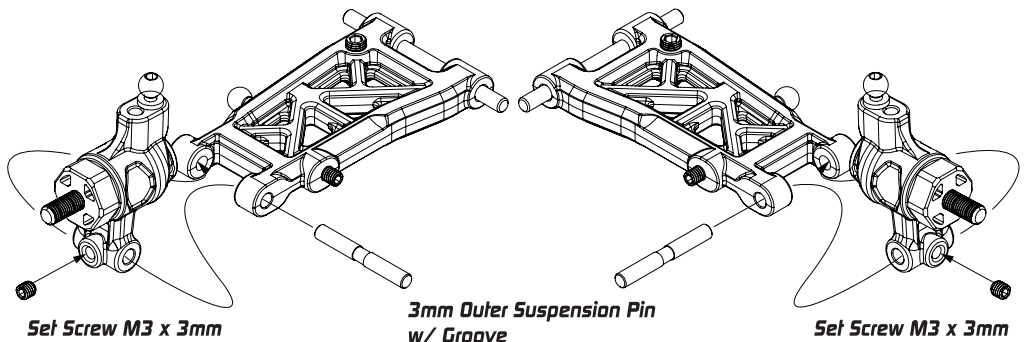
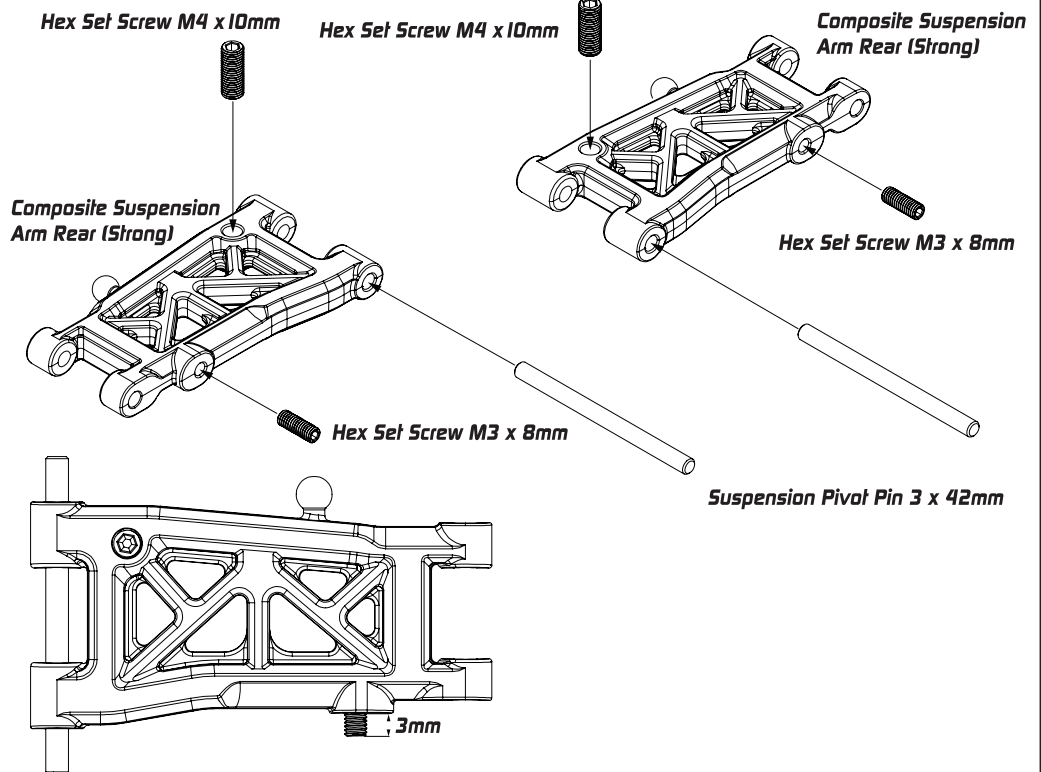
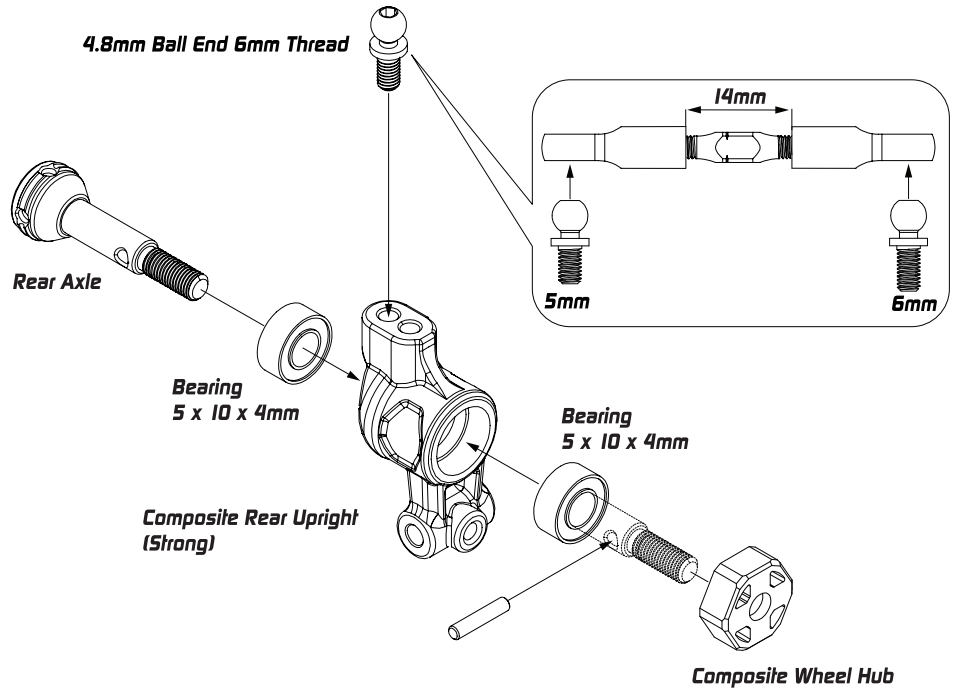
Optional

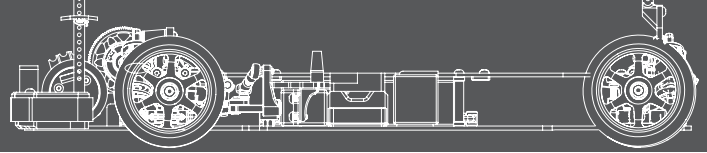


Cap Head Screw M1.6 x 4mm
XP-10129



Alu Wheel Hub Red
XP-10129





Bag G , I and Screw Bag



Flat Head Screw M3 x 6mm
XP-40046

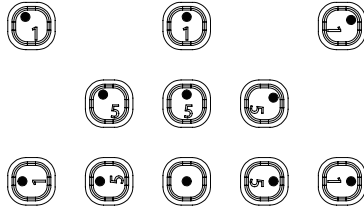


Composite Suspension Mount - RR
XP-10260



Composite Shim 3 x 6 x 1 mm

Optional

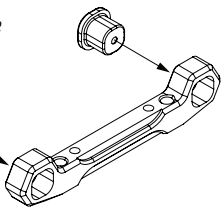


Default Setup

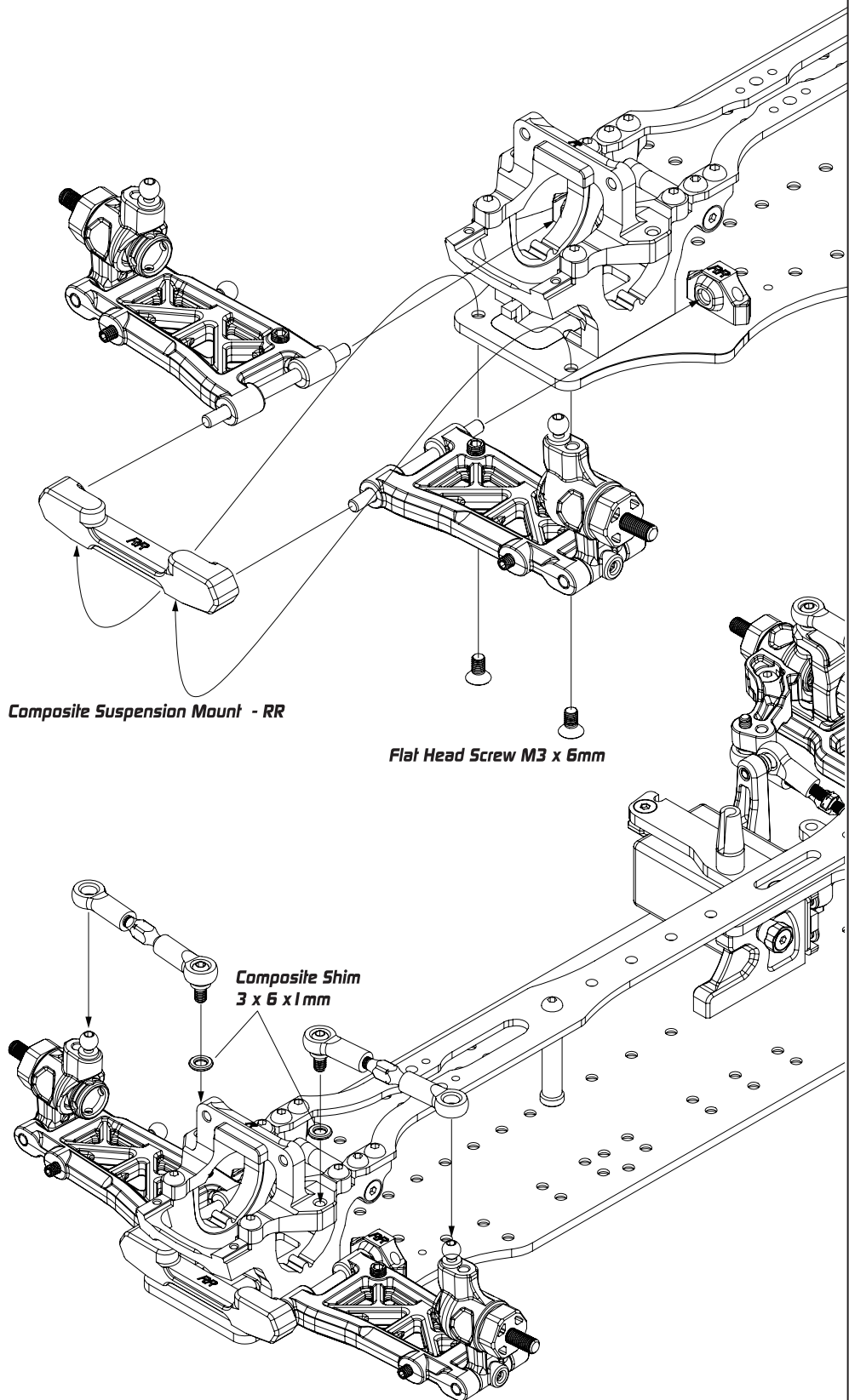
Diagonal Offset
Use either 0.5 or 1 mm to shift the roll center in a diagonal direction from the center.

Eccentric Bushing Set

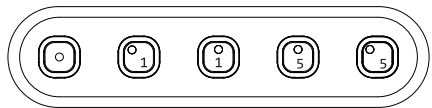
Horizontal Offset
Choice of either 0.5 or 1 mm offset from center



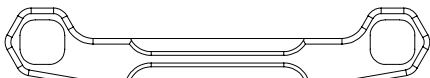
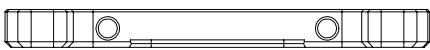
Alu Front Lower I-Piece Suspension Holder - FF



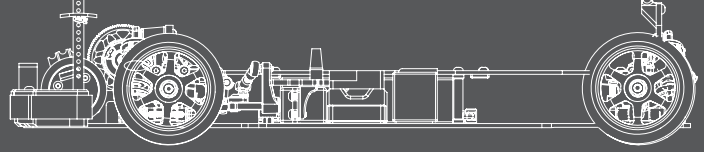
Optional



Eccentric Bushing Set
XP-10127



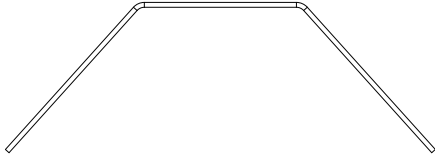
Alu Rear Lower I-Piece Suspension holder - RR
XP-10124



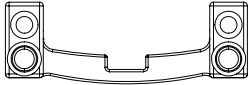
Bag F, J and Screw Bag



Anti-Roll Bar 1.3mm Front
XP-10177



Anti-Roll Bar 1.2mm Rear
XP-10326



Stabilizer Mount XP-10230



Stabilizer Collar XP-10282



M3 x 3mm Set Screw XP-40052

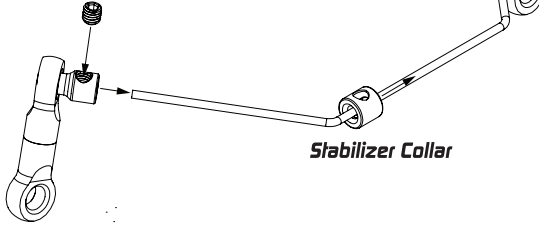


Cap Hex Screw 2x5mm XP-40034

Front

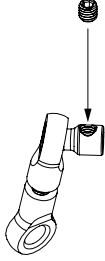
Rear

M3 x 3mm Set Screw



Stabilizer Collar

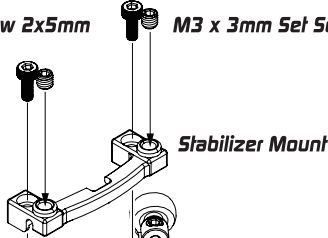
M3 x 3mm Set Screw



Stabilizer Collar

Cap Hex Screw 2x5mm

M3 x 3mm Set Screw



Stabilizer Mount

1.5 Wrench not included

Move Freely

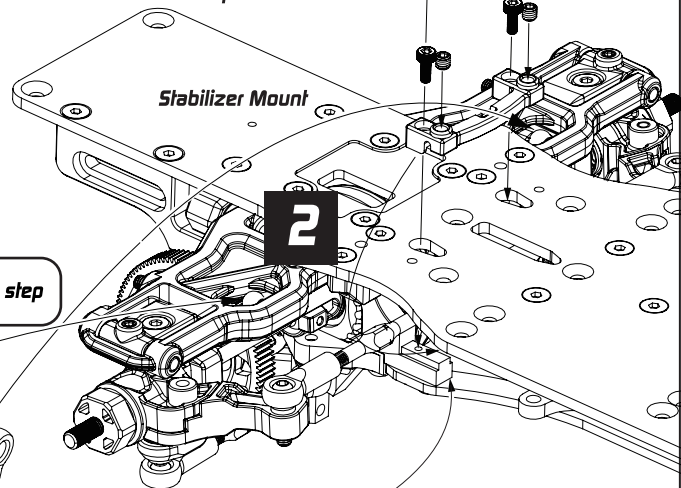
M3 x 3mm Set Screw

Follow procedure as shown in next step

3

Cap Hex Screw 2x5mm

M3 x 3mm Set Screw



Stabilizer Mount

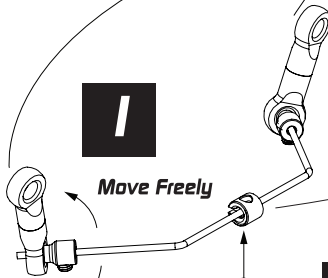
2

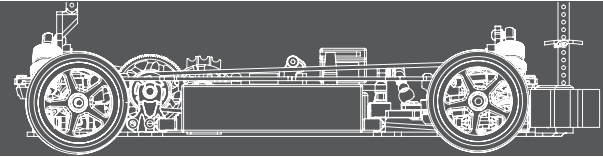
1

Move Freely

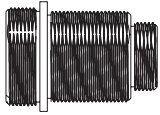
M3 x 3mm Set Screw

4



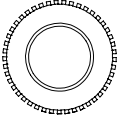


Bag K and Bag Oil

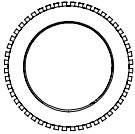


Composite Shock Body

Alu Shock Body
Option Part XP-10057



Alu Upper Shock Cap
XP-10256



Alu Spring Tension Adjust Nut
XP-10258



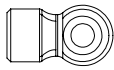
Alu Lower Shock Cap
XP-10257



Shock Top Connector
XP-10015



2 Hole Piston
XP-10016



Shock Lower Connector
XP-10015



Shaft Cover
XP-10016



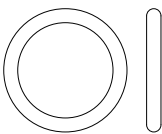
Shaft Spacer
XP-10016



Shock Shaft
XP-10050



Shock Absorber Membrane
XP-10051



Silicone O Ring For Spring Adjust Nut
XP-10051

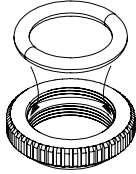


Shock O-Ring
XP-10051



E-Clip 2.5mm
XP-40057

Silicone O Ring For Spring Adjust Nut



Alu Spring Tension Adjust Nut

E-Clip 2.5mm

E-Clip 2.5mm



2 Hole Piston

Shock Shaft

Composite Shock Body

Alu Spring Tension Adjust Nut

Shock O-Ring

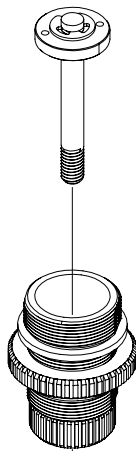
Shaft Spacer



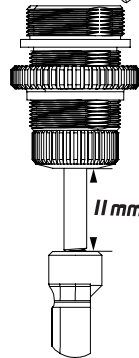
Shaft Cover

Alu Lower Shock Cap

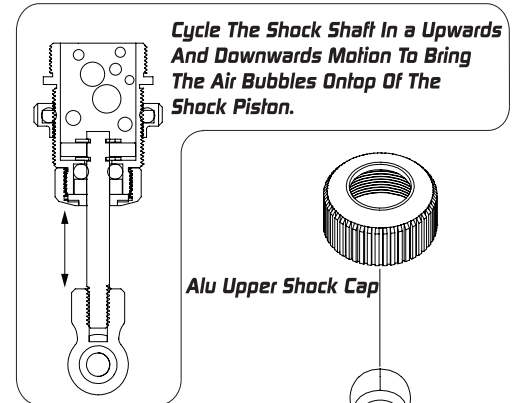
450Cst



Shock Lower Connector

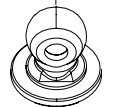
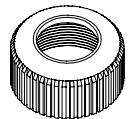


11mm

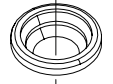


Cycle The Shock Shaft In a Upwards And Downwards Motion To Bring The Air Bubbles Ontop Of The Shock Piston.

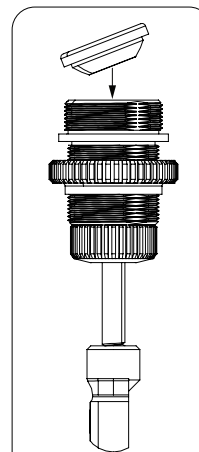
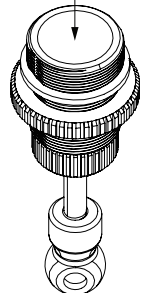
Alu Upper Shock Cap



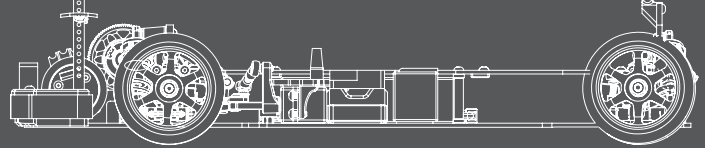
Shock Top Connector



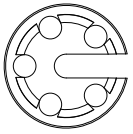
Shock Absorber Membrane



Install the shock bladder slowly on an angle as shown.



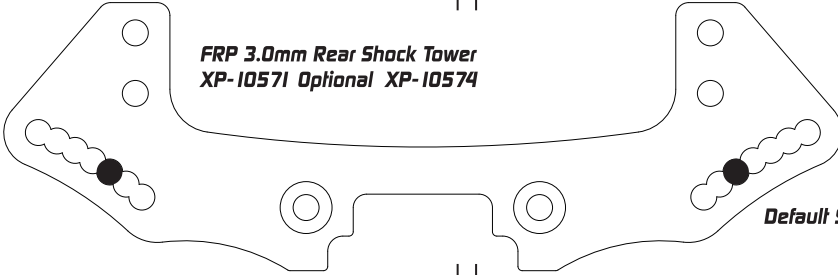
Bag K, L, FRP and Screw



Spring Retainer
XP-10015

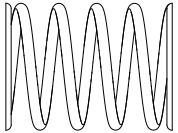


Pivot Ball 4.8 mm
XP-10045

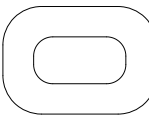


FRP 3.0mm Rear Shock Tower
XP-10571 Optional XP-10574

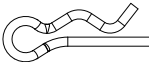
Default Setup



Touring Spring Ø1.4 - Blue
XP-10363



Body Height Adjuster Support
XP-10001



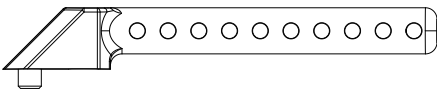
Body Clip
XP-10055



Flat Head Screw M3 x 8mm
XP-40048



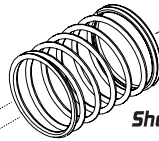
Bulnon Head Screw M3 x 6mm
XP-40037



Rear Body Post
XP-10001

Spring Retainer

4X

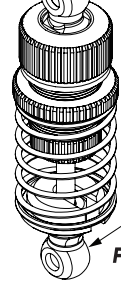


Shock Spring Blue

4X

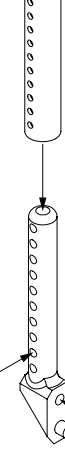
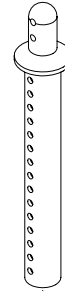


Pivot Ball 4.8 mm



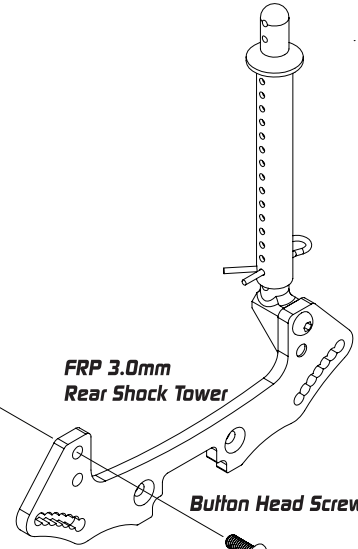
Pivot Ball 4.8 mm

Body Height Adjuster Support



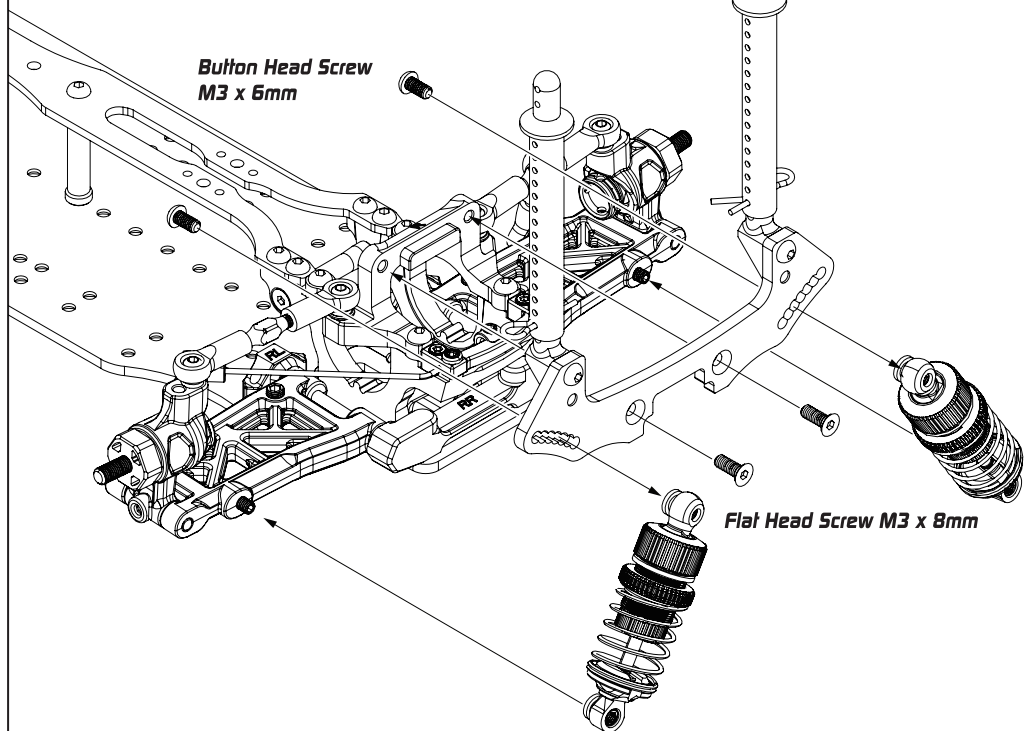
Body Clip

FRP 3.0mm
Rear Shock Tower

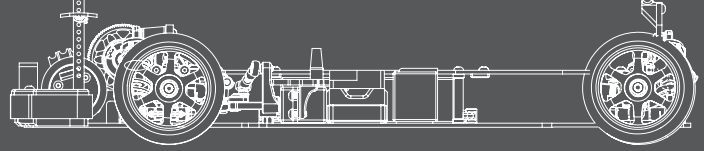


Bulnon Head Screw M3 x 8mm

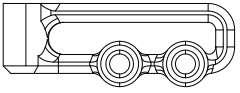
Bulnon Head Screw
M3 x 6mm



Flat Head Screw M3 x 8mm



Bag L, FRP and Screw



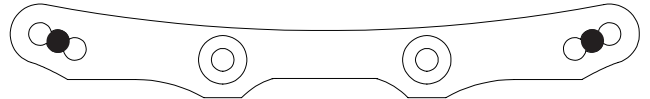
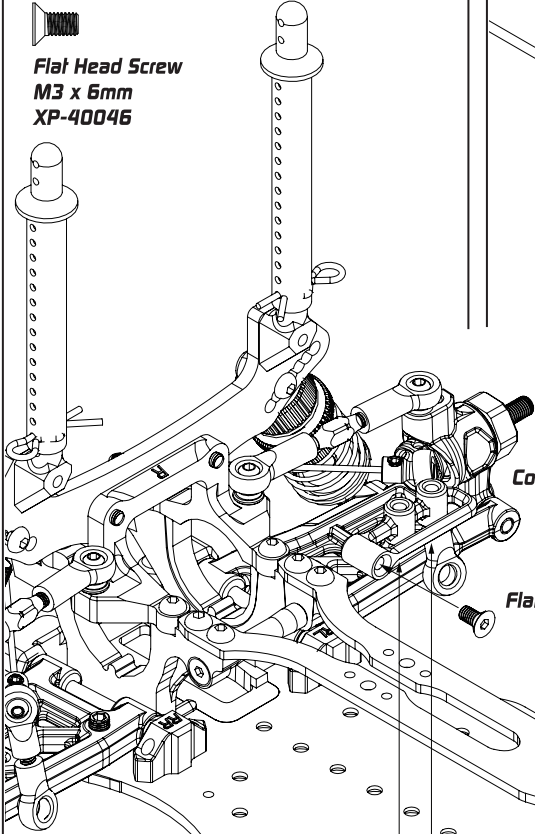
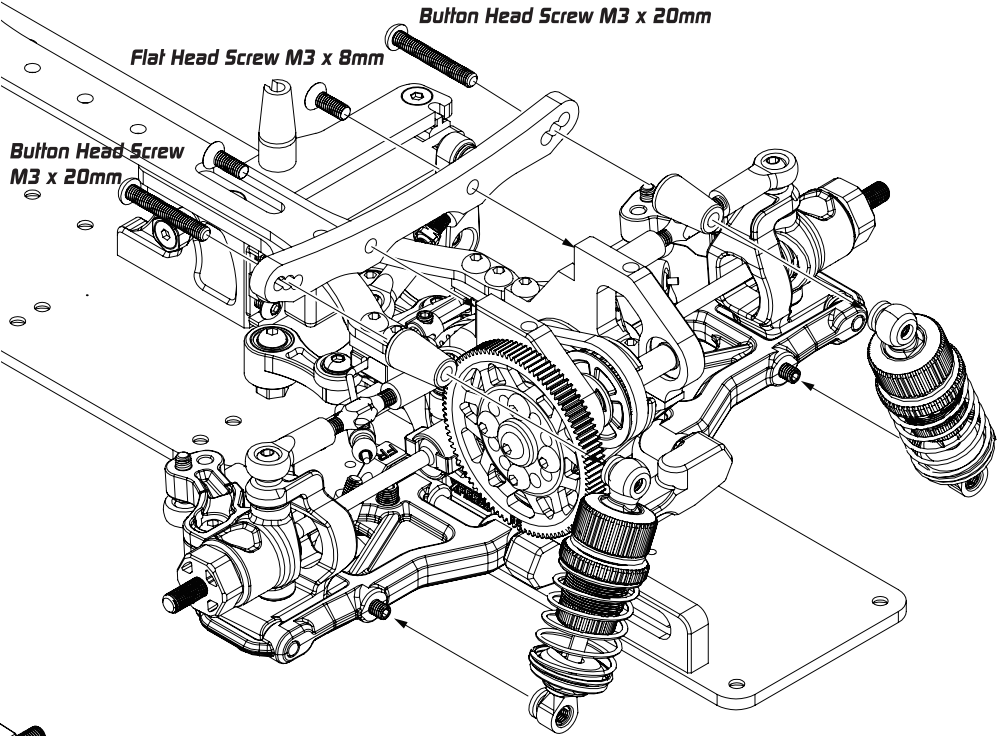
Composite Lipo Battery Backstop
XP-10180



Flat Head Screw M3 x 8mm
XP-40048



Flat Head Screw
M3 x 6mm
XP-40046



FRP 4mm Front Shock Tower
XP-10430 Optional XP-10573

Flat Head Screw M3 x 6mm

Flat Head Screw M3 x 6mm

Composite Lipo Battery Backstop



Button Head Screw M3 x 20mm
XP-40113

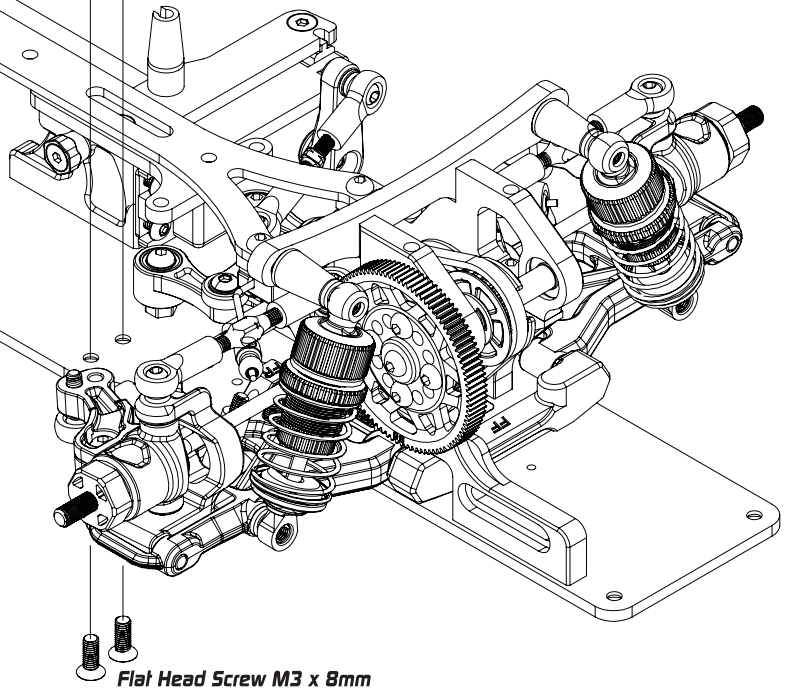


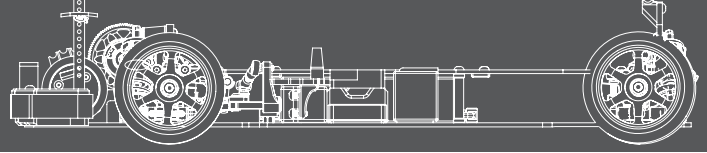
Aluminium Front Shock Tower Spacer
XP-10570



Button Head Screw M3 x 6mm
XP-40037

Flat Head Screw M3 x 8mm

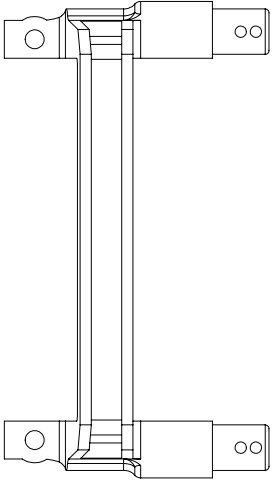




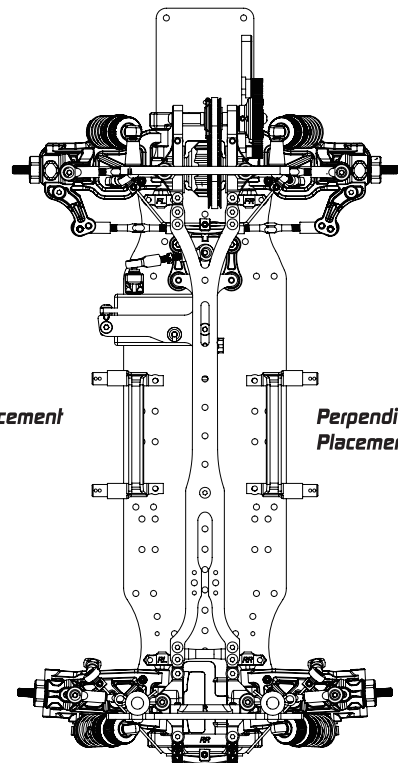
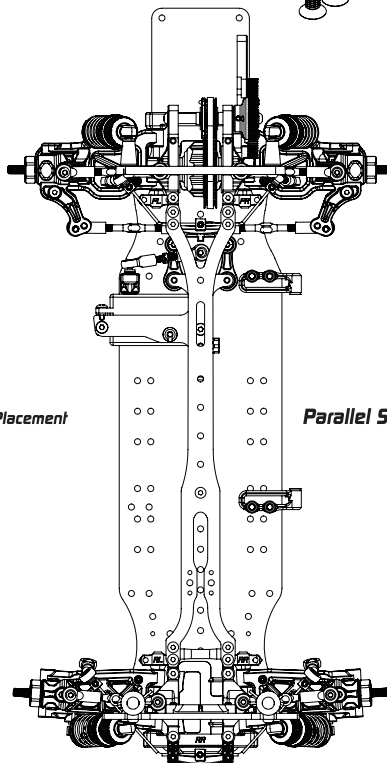
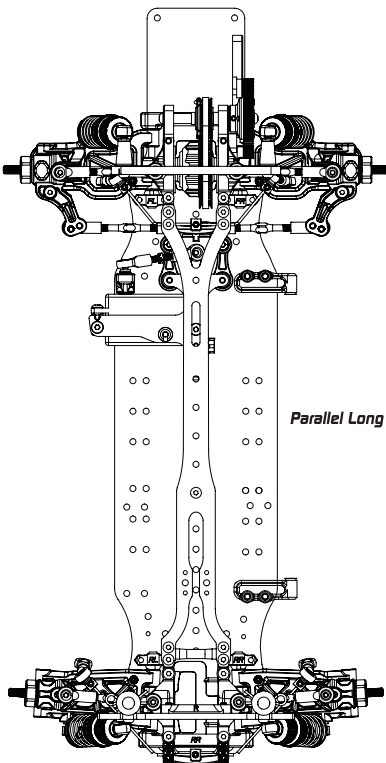
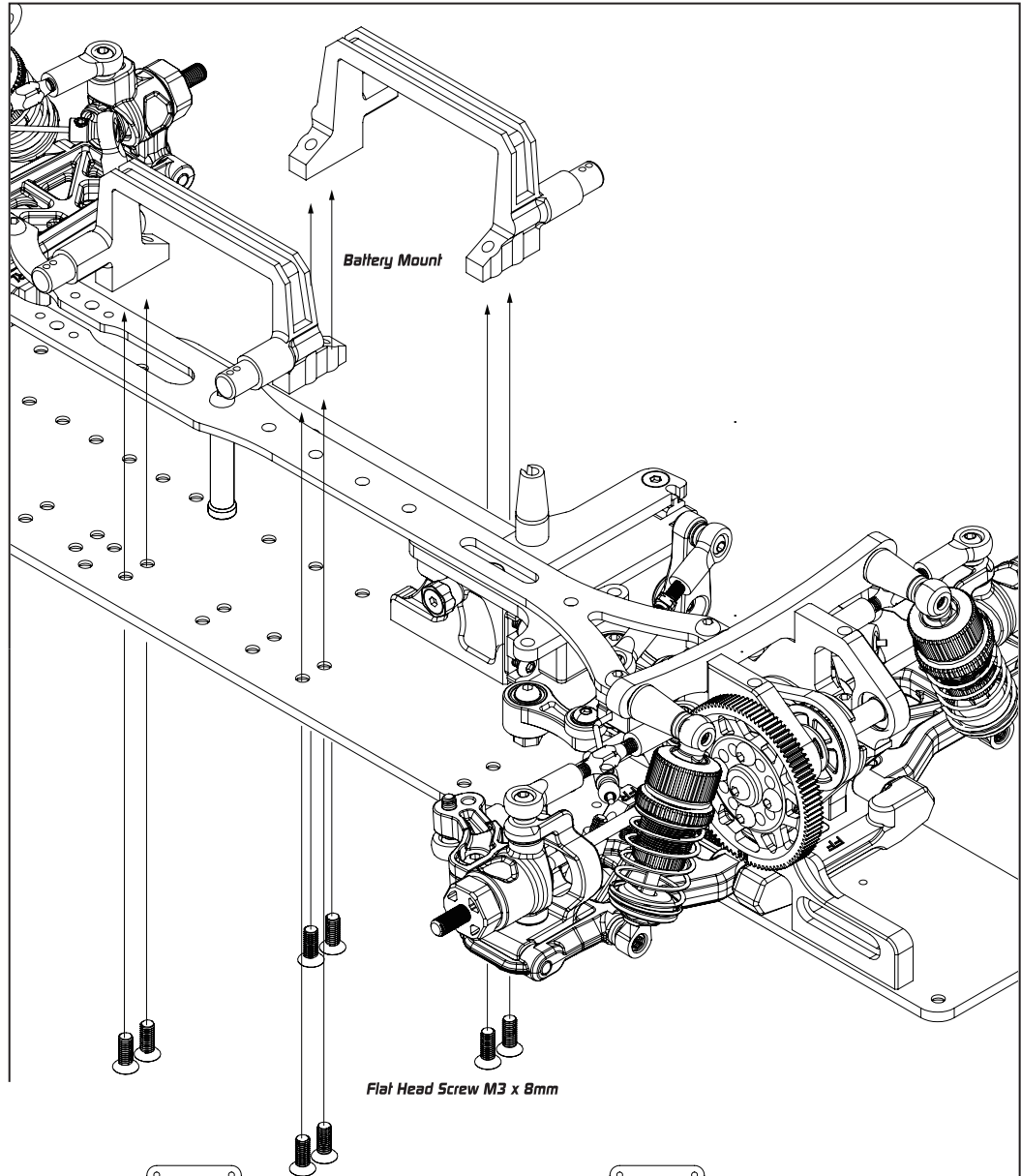
Bag L and Screw Bag

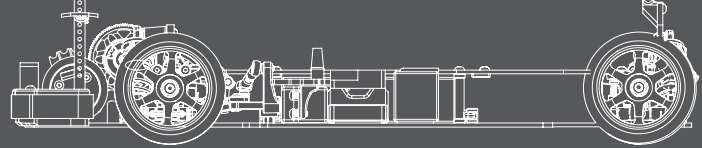


Flat Head Screw M3 x 8mm
XP-40048

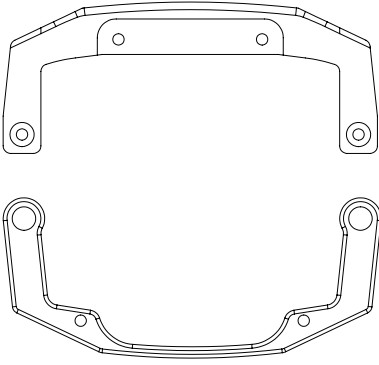


Battery Mount
XP-10005





Bag L and Screw Bag



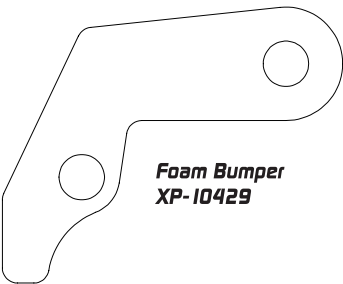
Front Bumper Set
XP-10428

Flat Head Screw
M3 x 8mm
XP-40048

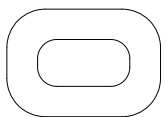
Round Head Screw
M3 x 8mm
XP-40038

Round Head Screw
M3 x 12mm
XP-40040

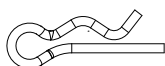
Bumper Body Post
XP-10561



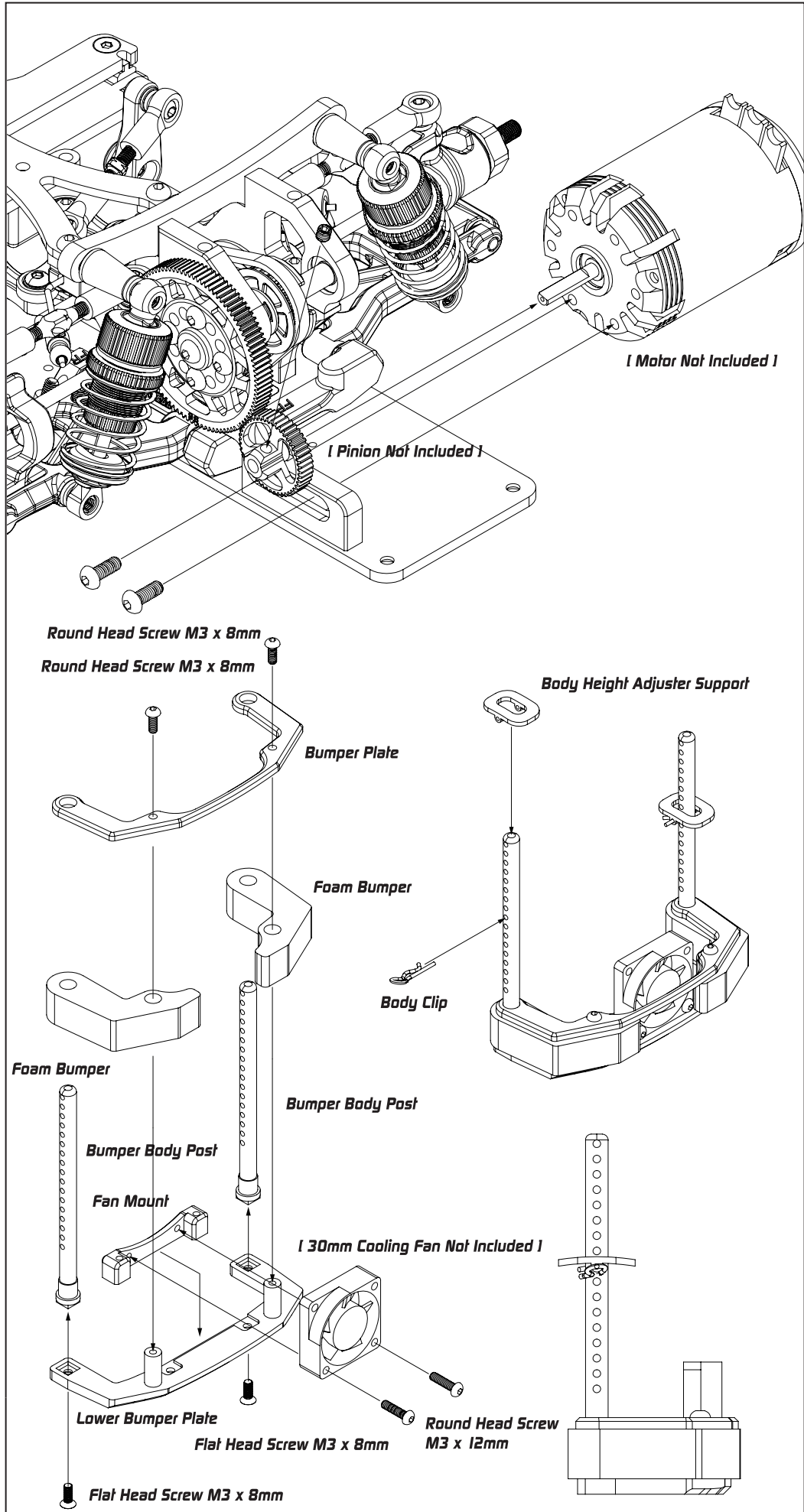
Foam Bumper
XP-10429

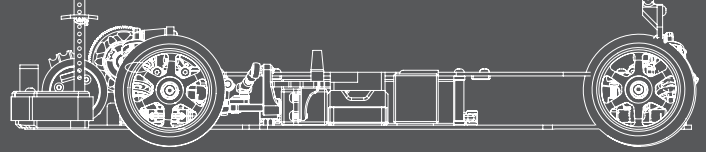


Body Height Adjuster Support
XP-10001



Body Clip
XP-10055

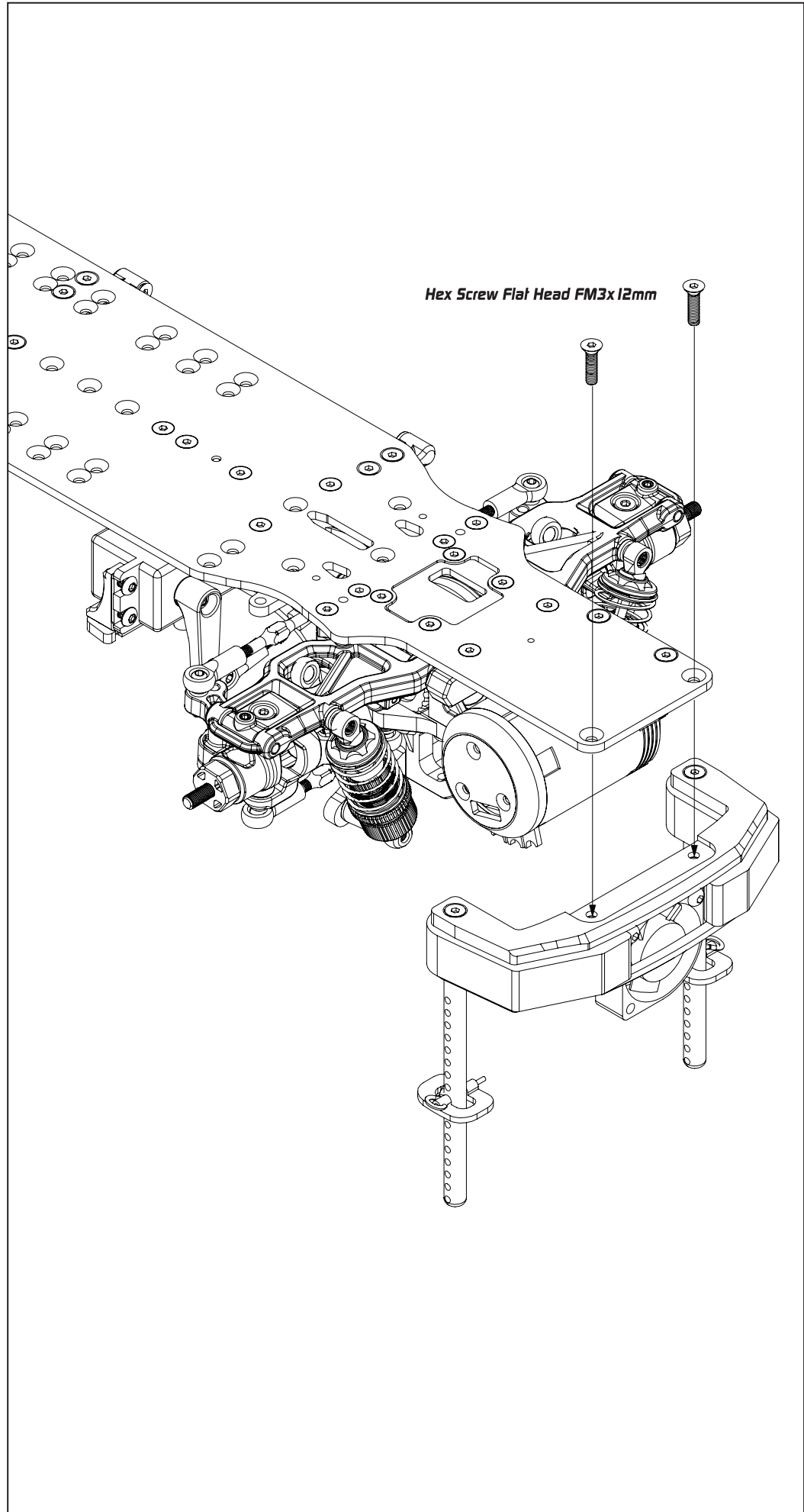


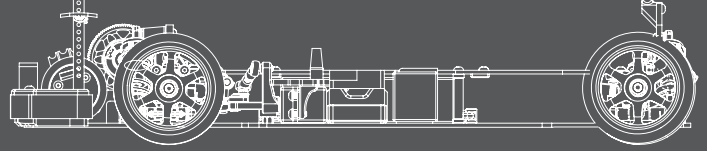


Screw Bag



Hex Screw Flat Head FM3x12mm
XP-40050



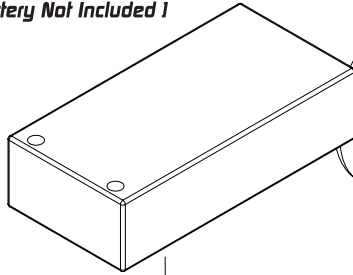


Screw Bag

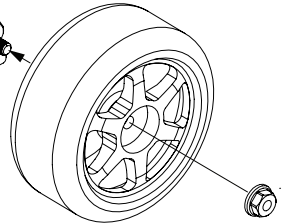


Lock Nut 7mm
XP-40068

[Battery Not Included]



[Tires Not Included]

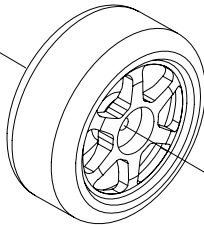


Lock Nut 7mm

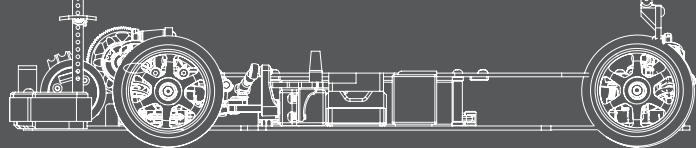
[Receiver Not Included]

[ESC Not Included]

[Tires Not Included]

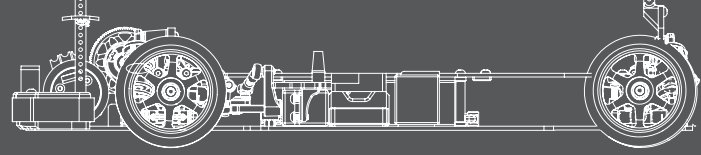


Lock Nut 7mm



FT1S Original Parts	
Model Number	Product Name
XP-10005	Battery Mount Set
XP-10008	Gear Differential Case and Cover
XP-10009	Gear Differential Bevel Satellite Gears Set
XP-10011	Gear Differential Repair Parts
XP-10015	Damper Plastic Parts Set
XP-10016	Damper Part Replacement Set
XP-10022	Gear Differential Set
XP-10107	Composite Ball Bearing Tension Adjustment Hub 4pcs
XP-10109	Composite Steering Block Pair
XP-10139	3.0mm Suspension Pivot Pin 4pcs
XP-10229	Composite Lower Bulkhead 2pcs
XP-10230	Front and Rear Composite One Piece Upper Clamp
XP-10236	4.8mm Ball End 5mm Thread 4pcs
XP-10237	4.8mm Ball End 6mm Thread 4pcs
XP-10238	4.8mm Ball End 8mm Thread 4pcs
XP-10239	4.8mm Ball End 10mm Thread 4pcs
XP-10240	Aluminum Shim 3x5.5x1.0mm Red 10pcs
XP-10241	Aluminum Shim 3x5.5x2.0mm Red 10pcs
XP-10244	Steel Universal Shaft 2pcs
XP-10251	4.8mm Flat Type Ball End 15mm 4pcs
XP-10252	4.8mm Flat Type Ball End 13mm 2pcs
XP-10253	4.8mm Flat Type Ball End 10mm 4pcs
XP-10254	4.8mm Low Profile Ball End Set
XP-10255	Camber Stiffener Link Ball End
XP-10256	Aluminum Upper Shock Cap 2pcs
XP-10257	Aluminum Lower Shock Cap 2pcs
XP-10260	Composite Suspension Mount Set
XP-10261	Composite Steering Set
XP-10262	Composite Wheel Hub Set 4pcs
XP-10263	Floating Servo Holder
XP-10422	FRP 2.5mm Bottom Chassis Plate
XP-10428	Front Bumper Set
XP-10429	Foam Bumper
XP-10430	FRP 4mm Front Shock Tower
XP-10431	Steel Gearbox Shaft
XP-10561	Bumper Body Post (Foam Bumper LIGHT)
XP-10565	Composite Suspension Parts Set (Hard Strong)
XP-10567	Spur Gear Adaptor
XP-10568	Composite Lower Bulkhead
XP-10569	Composite Upper Bulkhead Set
XP-10570	Aluminium Front Shock Tower Spacer
XP-10571	FRP 3mm Rear Shock Tower
XP-10576	Rear Wheel Axle
XP-10602	3mm Outer Suspension pin w/ Groove 4pcs
XP-10603	Front And Rear Composite Suspension Arm (Strong)
XP-10604	Composite C Hub 4 Degree L/R (Strong)
XP-10605	Composite Rear Upright 2 PCS (Strong)
XP-10606	Composite Suspension Parts Set (Strong)
XP-10607	O Ring For Spring Adjust Nut 4pcs (Short Shock)
XP-10610	XQ1 XQ1S Double Joint Universal Shaft Bone
XP-10611	XQ1 XQ1S Double Joint Universal Shaft Axle
XP-10612	XQ1 XQ1S Double Joint Universal Shaft Case
XP-10613	XQ1 XQ1S Double Joint Universal Shaft Coupling Pins
XP-10617	Chassis Stiffener Post
XP-10618	Drive Belt Front 3 x 150mm
XP-10631	FRP 2.0mm Top Deck

FT1S Option Parts	
Model Number	Product Name
XP-10105	Front Camberlink Mount 2pcs
XP-10111	Aluminum Dual Servo Saver Arm 2pcs
XP-10113	Aluminum Steering Plate For Dual Servo Saver 4mm
XP-10114	Aluminum FF Lower 1 Piece Suspension Mount
XP-10115	Aluminum One Piece Lower Bulkhead
XP-10119	Aluminum Shim 3x5.5x1.0mm Red 20pcs
XP-10120	Aluminum Shim 3x5.5x2.0mm Red 20pcs
XP-10123	Aluminum 2 Piece Suspension Mount 2pcs
XP-10124	Aluminum RR Lower one Piece Suspension Mount
XP-10125	Aluminum Gear Diff Outdrive Adapter 2pcs
XP-10127	Eccentric Bushing Set
XP-10129	Aluminum 5mm Wheel Hub Red 2pcs
XP-10130	Aluminum Rear One Piece Upper Clamp
XP-10136	Aluminum Servo Mount
XP-10141	Aluminum Low Profile Shock Set 2pcs
XP-10142	Aluminum Shock Body 2pcs
XP-10143	Shock Shaft 2pcs
XP-10191	Aluminum Rf One Piece Suspension Mount
XP-10192	Aluminum Adjustable Battery Stoppers
XP-10194	Aluminum FR One Piece Suspension Mount
XP-10195	On-power Control System
XP-10196	Brass RF One Piece Suspension Mount
XP-10197	Brass FR One Piece Suspension Mount
XP-10198	Brass 2 Piece Suspension Mount
XP-10199	Brass FF 1 Piece Suspension Mount
XP-10200	Brass RR 1 Piece Suspension Mount
XP-10220	Camberlink Stiffener set
XP-10222	Graphite Option Steering Knuckle Plate 2pcs
XP-10224	Aluminum 5mm Ackermann Steering Plate For Dual Servo Saver
XP-10242	Brass Chassis Balancing Weights 10g 5g 4pcs
XP-10266	Hard Composite On-power Control System Suspension Arm 2pcs
XP-10267	On-power Control System 0 Deg Aluminum C-hub 2pcs
XP-10268	On-power Control System 3mm Graphite Knuckle Plate 2pcs
XP-10269	On-power Control System Ball Stud Set
XP-10334	39.3mm Spring Steel Double Joint Universal Shaft 2pcs
XP-10423	Aluminum Front Bulkhead Left
XP-10424	Aluminum Front Bulkhead Right
XP-10425	Aluminum Front Upper Clamp Left
XP-10426	Aluminum Front Upper Clamp Right
XP-10427	Aluminum Motor Mount
XP-10432	Brass Lower Bulkhead Plate
XP-10566	Upper Deck Stiffener
XP-10572	Graphite 2.25mm Bottom Chassis Plate
XP-10573	Graphite 4mm Front Shock Tower
XP-10574	Graphite 3.5mm Rear Shock Tower
XP-10575	Kevlar Drive Belt Front 3 x 150mm
XP-10577	Short Shock Composite Shock Parts
XP-10578	Aluminum Short Shock Cap 2pcs
XP-10579	Aluminum Lower Short Shock Cap 2pcs
XP-10580	Aluminum Short Shock Adjustable Nut 2pcs
XP-10581	Aluminum Short Shock Body 2pcs
XP-10582	Short Shock Shaft 2pcs
XP-10587	Short Shock Set 2PCS
XP-10588	Separate Bulkhead Type A
XP-10589	Separate Bulkhead Type B
XP-10590	Separate Upper Bulkhead RR
XP-10591	Separate Upper Bulkhead RL
XP-10592	Graphite 2mm TopDeck
XP-10597	Front And Rear Composite Suspension Arm (Strong Hard)
XP-10598	Composite C Hub 4 Degree L/R (Strong Hard)
XP-10599	Composite Rear Upright 2 PCS (Strong Hard)
XP-10600	Silicone Gear Differential X-RING 5x2mm 4pcs
XP-10601	Shock X-RING 4pcs



Xpress Execute FT1 (64Pitch-Spur Gear 88T to 110T)

	Pinion																																
	19	20	21	22	23	24	25	26	27	28	29	30	31	32	33	34	35	36	37	38	39	40	41	42									
88																																	
89																							4.2	4.1	4.0								
90																						4.4	4.3	4.2	4.1								
91																				4.6	4.4	4.3	4.2	4.1									
92																			4.7	4.6	4.5	4.4	4.3	4.2									
93																		5.5	4.8	4.7	4.5	4.4	4.3	4.2									
94																	5.1	5.6	4.8	4.7	4.6	4.5	4.4	4.3									
95																6.0	5.2	5.6	4.9	4.8	4.6	4.5	4.4	4.3									
96															5.5	6.1	5.2	5.7	4.9	4.8	4.6	4.5	4.4	4.3									
97														5.8	5.6	6.1	5.3	5.8	5.0	4.9	4.7	4.6	4.5	4.4									
98												6.0	6.0	5.8	5.6	6.2	5.3	5.8	5.0	4.9	4.8	4.7	4.5	4.4									
99											6.3	6.1	5.9	5.7	6.3	5.4	5.9	5.1	5.0	4.8	4.7	4.6	4.5	4.4									
100											6.6	6.3	6.1	5.9	5.8	6.3	5.4	5.9	5.1	5.0	4.9	4.8	4.6	4.5									
101										6.9	6.6	6.4	6.2	6.0	5.8	6.4	5.5	6.0	5.2	5.1	4.9	4.8	4.7	4.6									
102									7.2	6.9	6.7	6.5	6.3	6.1	5.9	6.5	5.5	6.1	5.2	5.1	5.0	4.8	4.7	4.6									
103									7.5	7.2	7.0	6.7	6.5	6.3	6.1	5.9	6.5	5.6	6.1	5.3	5.2	5.0	4.9	4.8	4.7								
104									7.9	7.6	7.3	7.1	6.8	6.6	6.4	6.2	6.0	6.6	6.2	5.3	5.2	5.1	4.9	4.8	4.7								
105									8.3	8.0	7.7	7.4	7.1	6.9	6.7	6.4	6.2	6.0	6.7	5.7	6.2	5.4	5.3	5.1	4.9	4.8							
106									8.8	8.4	8.1	7.7	7.5	7.2	6.9	6.7	6.5	6.3	6.1	6.7	5.8	6.3	5.4	5.3	5.2	5.0	4.8						
107									9.2	8.8	8.5	8.1	7.8	7.5	7.3	7.0	6.8	6.6	6.4	6.2	6.8	5.8	6.4	5.5	5.4	5.2	5.0	4.8					
108									9.8	9.3	8.9	8.6	8.2	7.9	7.6	7.3	7.1	6.8	6.6	6.4	6.2	6.8	5.9	6.4	5.5	5.4	5.2	5.0	4.9				
109									10.4	9.9	9.4	9.0	8.6	8.3	8.0	7.7	7.4	7.1	6.9	6.7	6.5	6.3	6.9	5.9	6.5	5.5	5.3	5.2	5.1	4.9			
110									11.0	10.5	10.0	9.5	9.1	8.7	8.4	8.0	7.7	7.5	7.2	7.0	6.7	6.5	6.3	6.1	6.0	5.8	5.6	5.5	5.4	5.2	5.1	4.9	5.0

64 Pitch

Xpress Execute FT1 (64Pitch-Spur Gear 88T to 110T)

	Pinion																								
	43	44	45	46	47	48	49	50	51	52	53	54	55	56	57	58	59	60	61	62	63	64	65	66	
3.9	3.8	3.7	3.6	3.6	3.6	3.5	3.4	3.3	3.3	3.2	3.2	3.1	3.0	3.0	2.9	2.9	2.8	2.8	2.7	2.7	2.7	2.6	2.6	2.5	
3.9	3.8	3.8	3.7	3.6	3.6	3.5	3.5	3.4	3.3	3.2	3.2	3.1	3.1	3.0	3.0	2.9	2.9	2.8	2.8	2.7	2.7	2.6	2.6		
4.0	3.9	3.8	3.7	3.6	3.6	3.6	3.5	3.4	3.4	3.3	3.2	3.2	3.1	3.1	3.0	2.9	2.9	2.9	2.8	2.8	2.7	2.7			
4.0	3.9	3.8	3.8	3.7	3.6	3.6	3.5	3.5	3.4	3.3	3.3	3.2	3.1	3.1	3.0	3.0	2.9	2.9	2.8	2.8	2.7				
4.1	4.0	3.9	3.8	3.7	3.6	3.6	3.6	3.5	3.4	3.4	3.3	3.2	3.2	3.1	3.1	3.0	2.9	2.9	2.8	2.8	2.7				
4.1	4.0	3.9	3.8	3.8	3.7	3.6	3.6	3.5	3.5	3.4	3.3	3.2	3.2	3.1	3.1	3.0	2.9	2.9	2.8	2.8	2.7				
4.2	4.1	4.0	3.9	3.8	3.8	3.7	3.6	3.6	3.5	3.4	3.4	3.3	3.2	3.2	3.1	3.0	2.9	2.9	2.8	2.8	2.7				
4.2	4.1	4.0	3.9	3.8	3.8	3.8	3.7	3.6	3.5	3.5	3.4	3.3	3.2	3.2	3.1	3.1	3.0	2.9	2.9	2.8	2.7				
4.2	4.1	4.1	4.0	3.9	3.8	3.8	3.7	3.6	3.6	3.5	3.4	3.4	3.3	3.3	3.2	3.2	3.1	3.1	3.0	2.9	2.8				
4.3	4.2	4.1	4.0	3.9	3.8	3.8	3.8	3.7	3.6	3.5	3.5	3.4	3.3	3.3	3.2	3.2	3.1	3.1	3.0	2.9	2.8				
4.3	4.2	4.1	4.0	4.0	4.0	3.9	3.8	3.7	3.7	3.6	3.5	3.4	3.4	3.3	3.2	3.2	3.1	3.1	3.0	2.9	2.8				
4.4	4.3	4.2	4.1	4.0	4.0	3.9	3.8	3.8	3.7	3.6	3.5	3.5	3.4	3.3	3.2	3.2	3.1	3.1	3.0	2.9	2.8				
4.4	4.3	4.2	4.1	4.0	4.0	4.0	3.9	3.8	3.7	3.6	3.5	3.5	3.4	3.3	3.2	3.2	3.1	3.1	3.0	2.9	2.8				
4.5	4.4	4.3	4.2	4.1	4.0	4.0	3.9	3.8	3.8	3.7	3.6	3.5	3.5	3.4	3.3	3.2	3.2	3.1	3.0	2.9	2.8				
4.5	4.4	4.3	4.2	4.1	4.0	4.0	4.0	3.9	3.8	3.7	3.6	3.5	3.5	3.4	3.3	3.2	3.2	3.1	3.0	2.9	2.8				
4.6	4.4	4.3	4.3	4.3	4.2	4.1	4.0	3.9	3.8	3.7	3.6	3.5	3.5	3.4	3.3	3.2	3.2	3.1	3.0	2.9	2.8				
4.6	4.5	4.4	4.3	4.3	4.2	4.1	4.0	4.0	3.9	3.8	3.7	3.6	3.5	3.4	3.3	3.2	3.2	3.1	3.0	2.9	2.8				
4.6	4.5	4.4	4.3	4.3	4.2	4.1	4.0	4.0	3.9	3.8	3.7	3.6	3.5	3.4	3.3	3.2	3.2	3.1	3.0	2.9	2.8				
4.7	4.6	4.5	4.4	4.3	4.2	4.1	4.0	3.9	3.8	3.7	3.6	3.5	3.5	3.4	3.3	3.2	3.2	3.1	3.0	2.9	2.8				
4.7	4.6	4.5	4.4	4.3	4.2	4.1	4.0	3.9	3.8	3.7	3.6	3.5	3.4	3.3	3.2	3.2	3.1	3.0	2.9	2.8	2.7				
4.8	4.7	4.6	4.5	4.4	4.3	4.2	4.1	4.0	3.9	3.8	3.7	3.6	3.5	3.4	3.3	3.2	3.2	3.1	3.0	2.9	2.8				
4.8	4.7	4.6	4.5	4.4	4.3	4.2	4.1	4.0	3.9	3.8	3.7	3.6	3.5	3.4	3.3	3.2	3.2	3.1	3.0	2.9	2.8				
4.8	4.7	4.6	4.5	4.4	4.3	4.2	4.1	4.0	3.9	3.8	3.7	3.6	3.5	3.4	3.3	3.2	3.2	3.1	3.0	2.9	2.8				
4.9	4.8	4.7	4.6	4.5	4.4	4.3	4.2	4.1	4.0	3.9	3.8	3.7	3.6	3.5	3.4	3.3	3.2	3.2	3.1	3.0	2.9	2.8			

Driver _____ Track Surface _____ Track Temperature _____
 Date _____ Track Traction _____ Result _____ Air Temperature _____
 Track _____ Country _____ Best Lap _____ Humidity _____ Remark _____

Front

Spacer mm
Sway Bar mm
Hex Offset mm
Camber
Ride Height mm
DownStop mm
Sway Bar mm

C-Hub
 M H
Steering Block
 M H
Suspension Arm
 M H

Rear

Spacer mm
Hex Offset mm
Camber
Ride Height mm
DownStop mm
Sway Bar mm

Rear Hub
 M H
Suspension Arm
 M H

Optional On-Power Control System

Spacer mm
Hex Offset mm
Camber
Ride Height mm
DownStop mm
Sway Bar mm

Steering Block
 M H
Suspension Arm
 M H

Front Toe Out
Lower Arm Spacer mm
Front Tire Additive Arena
Bump Steering Spacer mm
Weight g
Wheelbase Spacer
FF mm
FR mm

Spacer mm
 Floating Steering
 Non-Floating Steering
Rear Toe In
Lower Arm Spacer mm
Shock Tower Spacer mm
Wheelbase Spacer
RF mm
RR mm Weight g

Suspension Mount Setup

FF
 1 Aluminium Spilt
 0.5 Brass Solid

FR
 1 Aluminium Spilt
 0.5 Brass Solid

RR
 1 Aluminium Spilt
 0.5 Brass Solid

RF
 1 Aluminium Spilt
 0.5 Brass Solid

Battery Position

Damper Setup

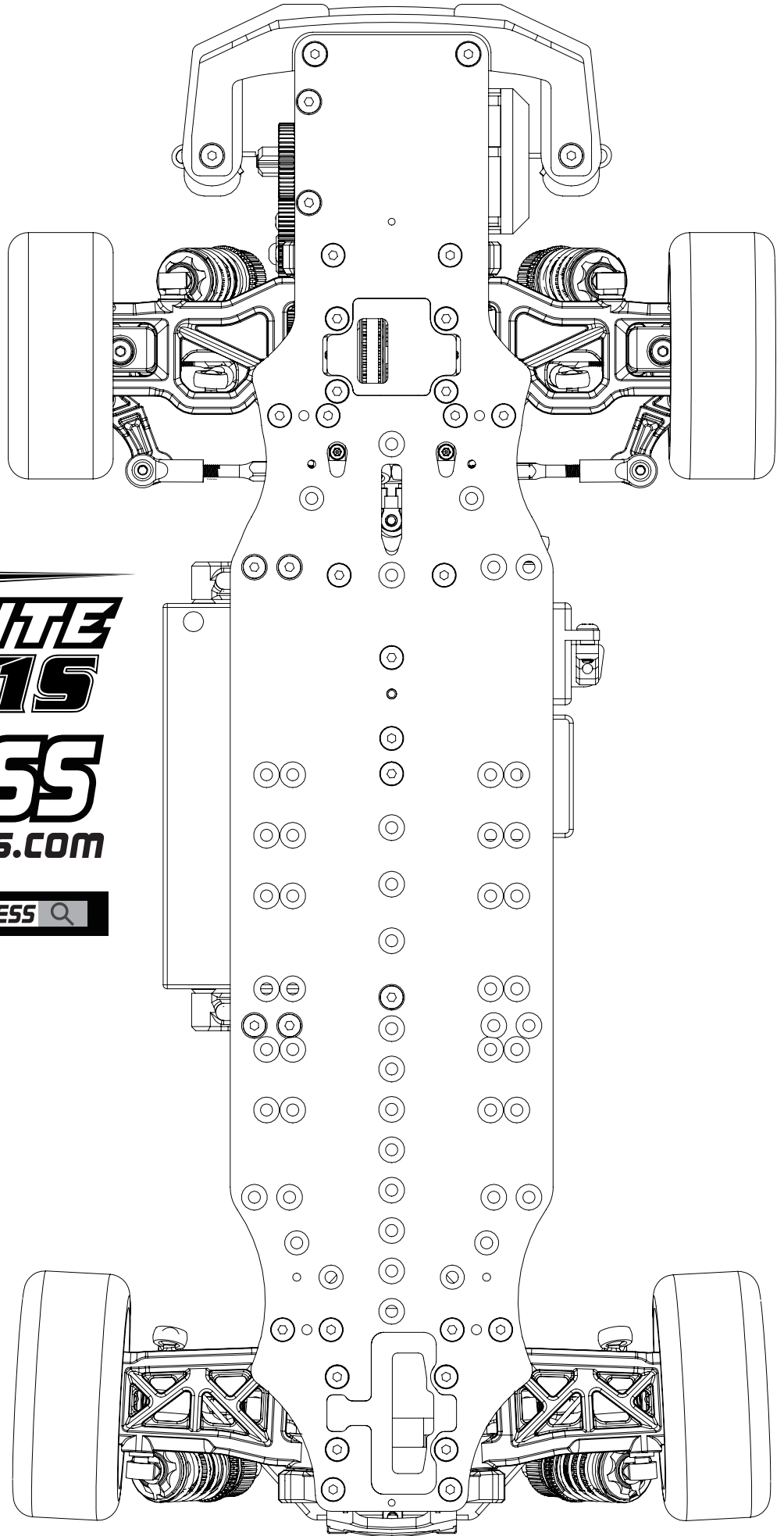
	Front	Rear
Spring	_____	_____
Oil	_____	_____
Rebound	_____	_____
Piston	_____	_____
Length	_____	_____
Foam Insert	<input type="checkbox"/>	<input type="checkbox"/>
Hole In Cap	<input type="checkbox"/>	<input type="checkbox"/>

Transmission Setup

	Front	Rear
Gear Diff	_____	_____
Oil	_____	_____
Weight	_____ g	_____ g
Position	_____	_____

Others

Servo _____ Tires _____
 Esc _____ Additive _____
 Motor _____ Body _____
 Spur P/ T Rear Wing _____
 Pinon P/ T FDR _____



EXECUTE
1/10 SPORT FWD TOURING CAR **FT15**

XPRESS
www.rc-xpress.com



RC XPRESS