

YZ44SF

SETTING SHEET Ver.01

CIRCUIT

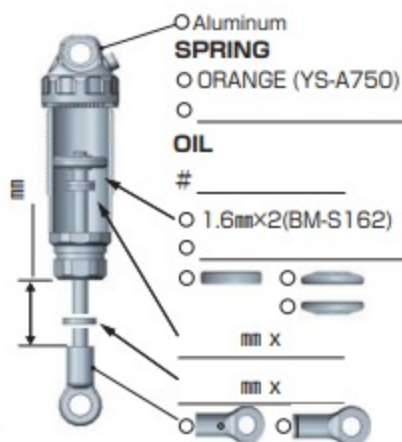
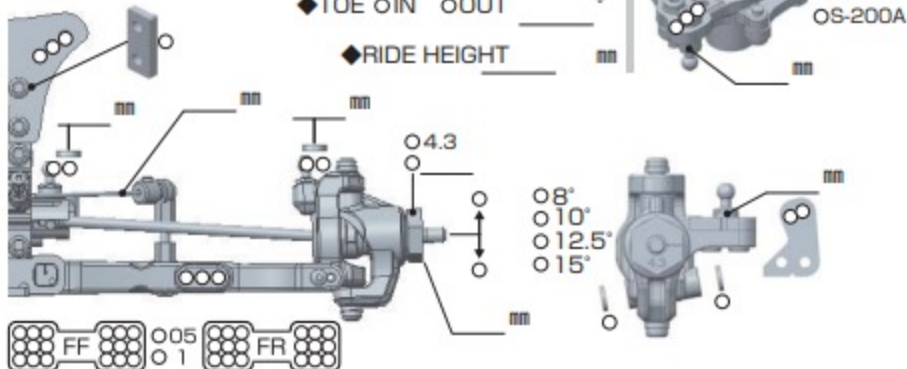
INDOOR OUTDOOR
DIRT ASTROTURF CARPET GLASS WOOD
WET DRY DUSTY SMOOTH BUMPY
HARD PACKED CLAY BIUE GROOVE _____
LOW TRACTION MED TRACTION HIGH TRACTION

DRIVER _____

DATE _____

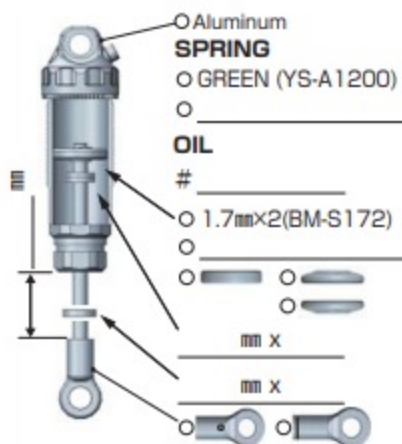
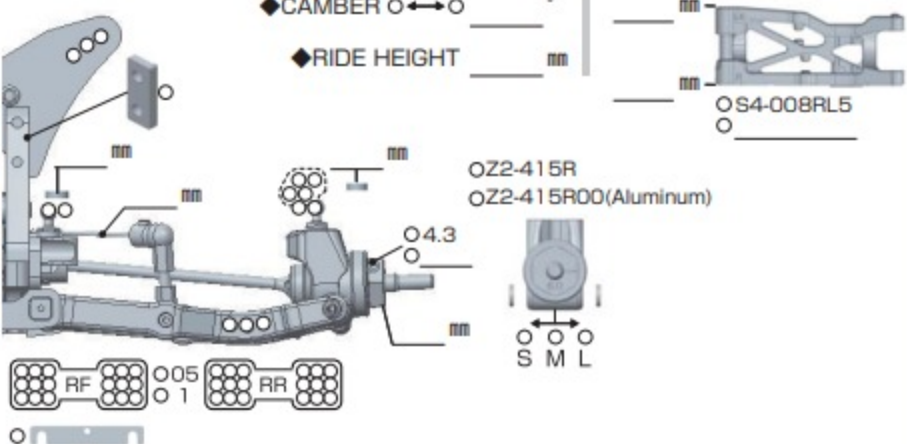
FRONT

◆CAMBER ↔ _____ °
 ◆TOE IN OUT _____ °
 ◆RIDE HEIGHT _____ mm

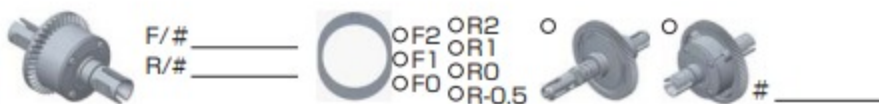


REAR

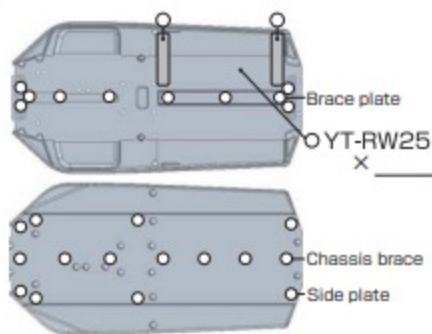
◆CAMBER ↔ _____ °
 ◆RIDE HEIGHT _____ mm



DRIVE



MOTOR _____ Rotor _____ mm
 GEAR Spur T / Pinion T : 2.6
 BATTERY _____
 ESC YOKOMO RPX YOKOMO BL-PRO4

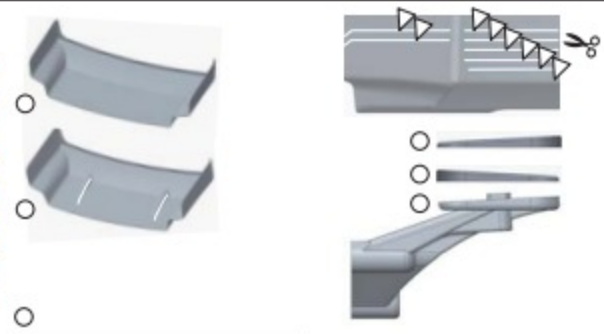


TIRE

FRONT
 TIRE _____
 INSERTS _____
 WHEELS _____

REAR
 TIRE _____
 INSERTS _____
 WHEELS _____

OTHER



COMMENT