

YZ4-SF2

SETTING SHEET Ver.01

CIRCUIT

INDOOR OUTDOOR
 DIRT ASTROTURF CARPET GLASS WOOD
 WET DRY DUSTY SMOOTH BUMPY
 HARD PACKED CLAY BLUE GROOVE _____
 LOW TRACTION MED TRACTION HIGH TRACTION

DRIVER

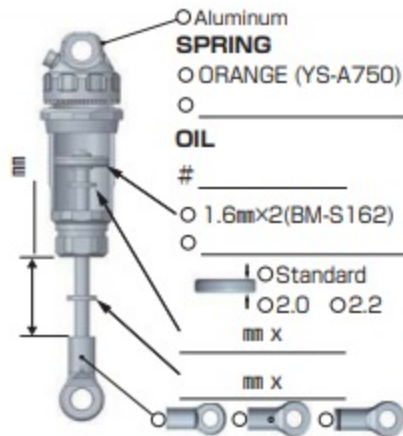
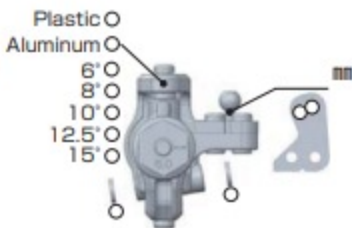
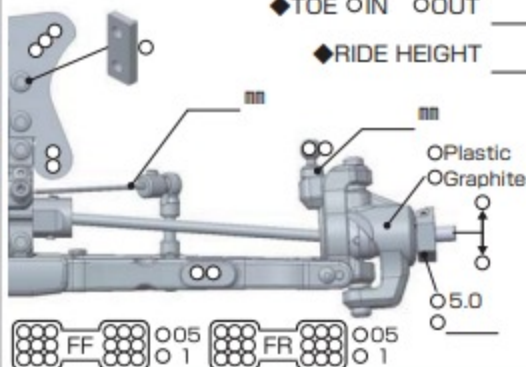
DATE

FRONT

◆ CAMBER $\circ \leftrightarrow \circ$ _____ °

◆ TOE \circ IN \circ OUT _____

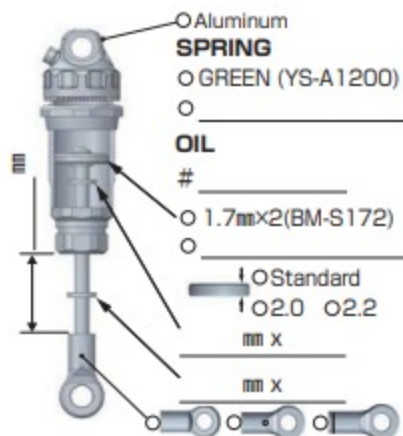
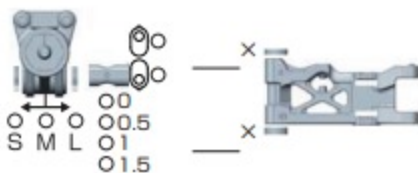
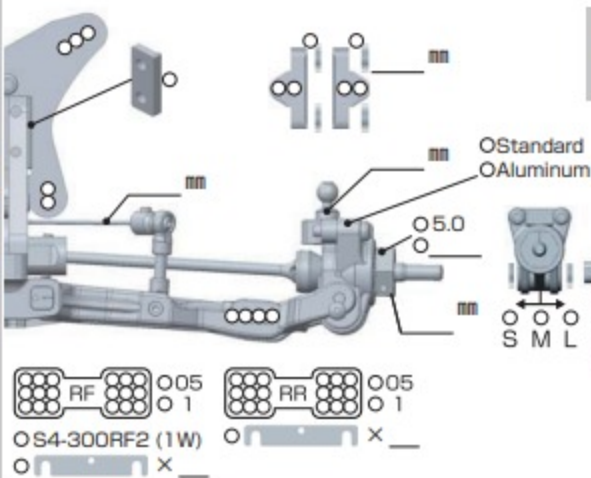
◆ RIDE HEIGHT _____ mm



REAR

◆ CAMBER $\circ \leftrightarrow \circ$ _____ °

◆ RIDE HEIGHT _____ mm



DRIVE



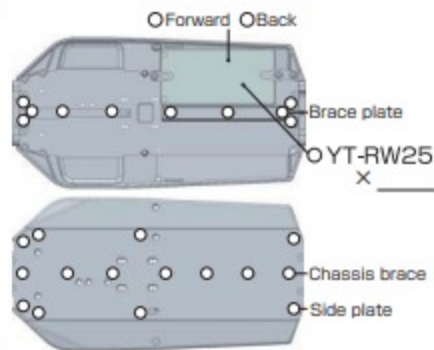
F/# _____
 2 4 gear
 R/# _____
 2 4 gear



CENTER Forward Back



MOTOR _____ Rotor _____ mm
 GEAR Spur T / Pinion T : 2.5
 BATTERY _____
 ESC YOKOMO RPXII YOKOMO BL-PRO4

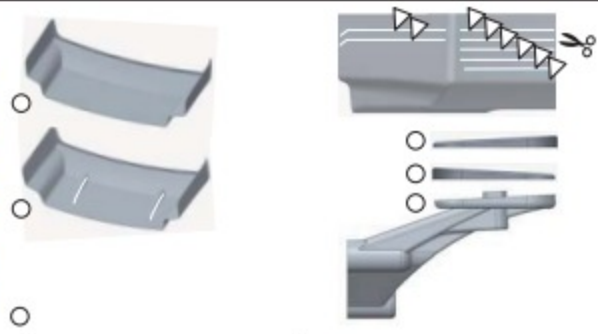


TIRE

FRONT
 TIRE _____
 INSERTS _____
 WHEELS _____

REAR
 TIRE _____
 INSERTS _____
 WHEELS _____

OTHER



COMMENT