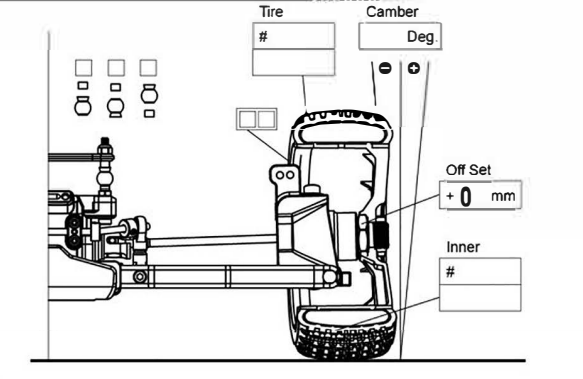


Indoor Tight Smooth Hard Packed Blue Groove
 Wet Low Bite High Bite Outdoor Open Rough Loose/Loamy
 Dry Dusty Med Bite Other

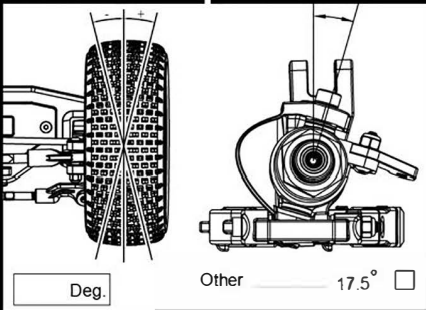
ELECTRIC **ESC** **MOTOR** **BATTERY**
SPUR GEAR **T** **PINION GEAR** **T** Shoes 3 4 Spring **mm**

Oil # **Oil #** **Oil #**
T X **T** **Spur gear** **T** **T X** **T**

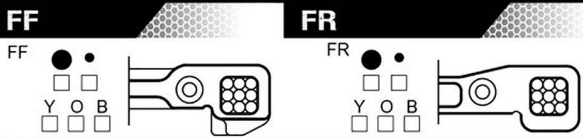
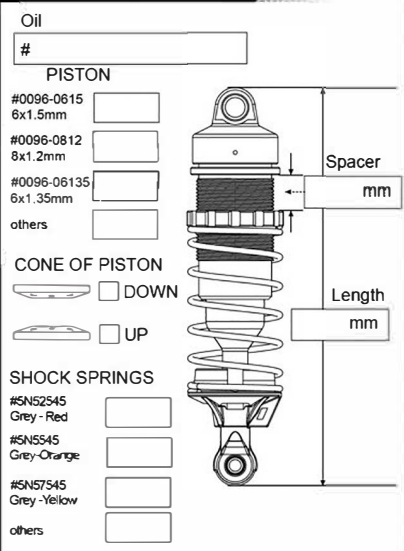
FRONT SUSPENSION



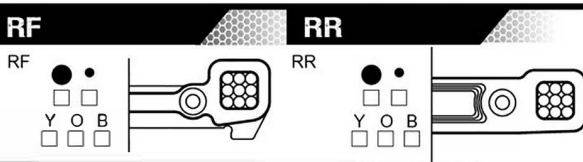
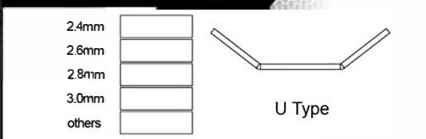
FRONT TOE ANGLE | CASTER ANGLE



FRONT SHOCK



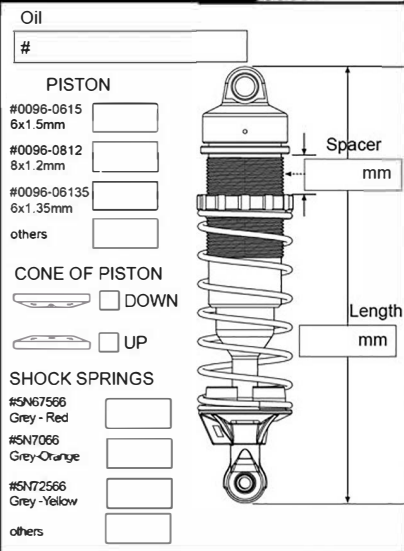
ANTI ROLL BAR FRONT



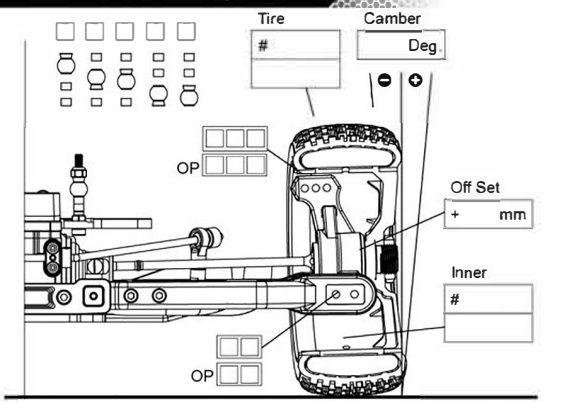
WHEEL BASE



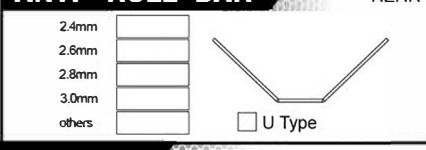
REAR SHOCK



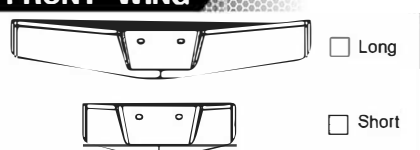
REAR SUSPENSION



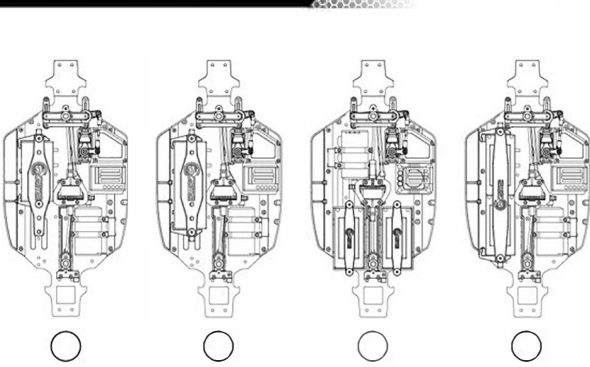
ANTI ROLL BAR REAR



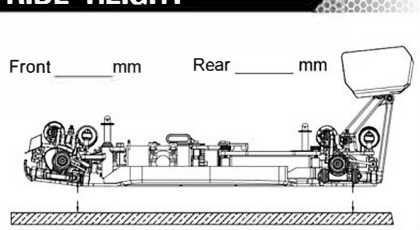
FRONT WING



CONFIGURATION



RIDE HEIGHT



DROOP LIMITER

