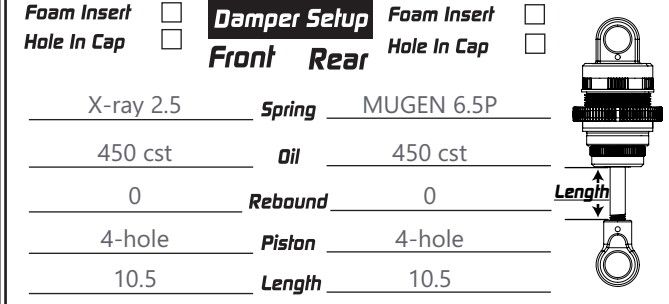
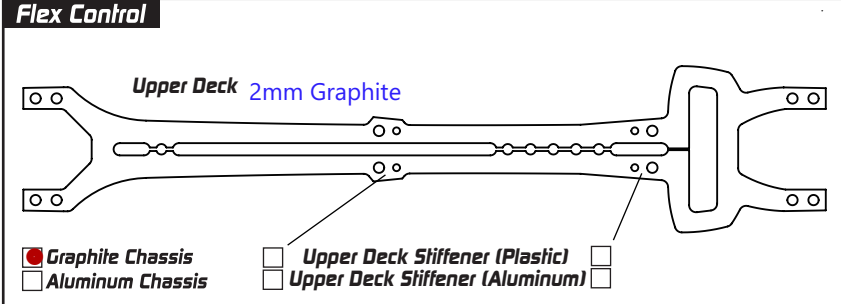
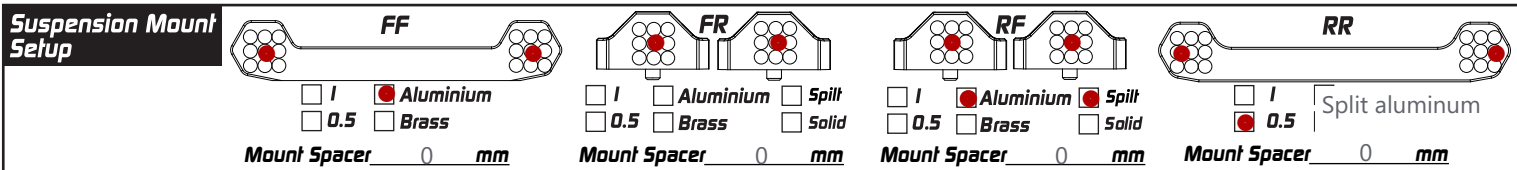
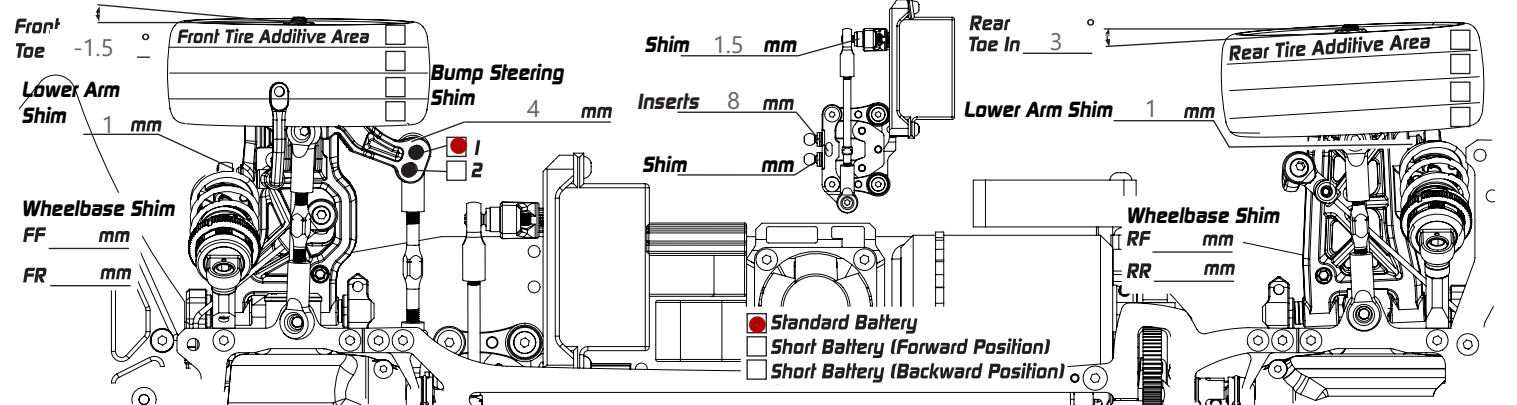
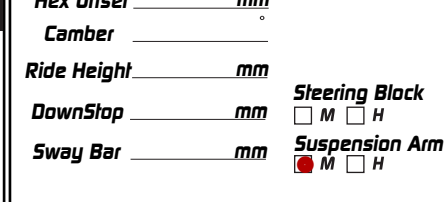
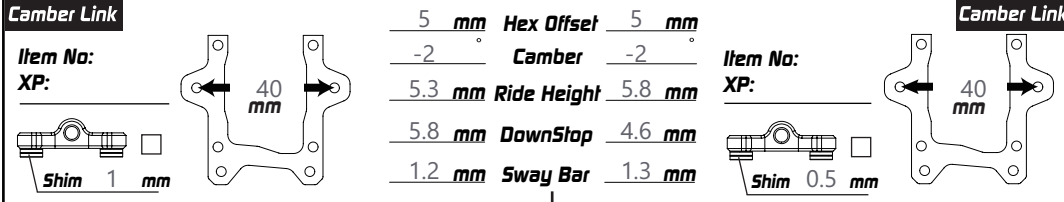
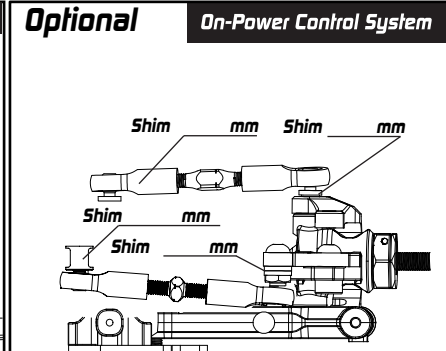
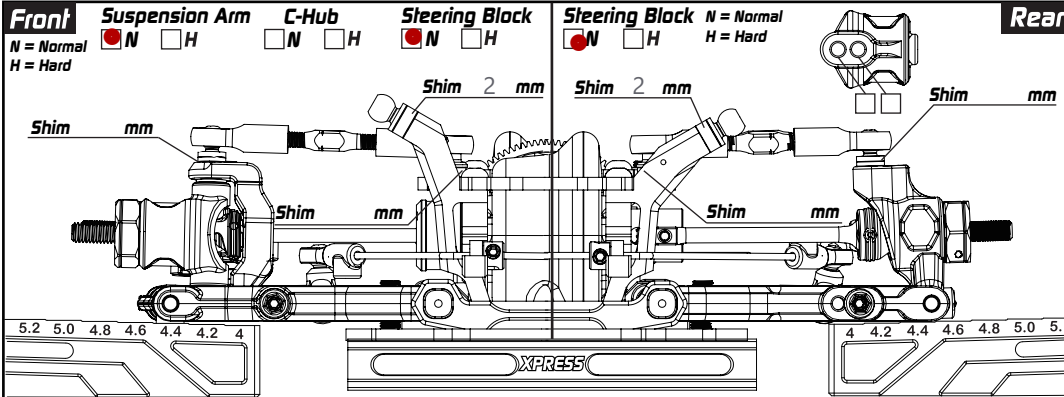




Driver AdrianG Team Powers Australia Track Surface Outdoor asphalt Medium/Bumpy Track Temperature 0C/32F  
 Date March 1, 2025 Track Traction Low/Medium Result \_\_\_\_\_ Air Temperature 25C/77F  
 Track STMCC Country \_\_\_\_\_ Best Lap \_\_\_\_\_ Humidity Dusty/Dry Layout: Tight/Medium



**Transmission Setup**

Front Spool	Diff.	Rear Gear
Spool / 9 Oil		5,000 / 1.1 g
Bevel Gear		
Spur 48 P/ 52 T	Pinon P/ T	
Final Drive Ratio		: 1
<b>Formula</b>		
Final Drive Ratio = (Spur / Pinon x Internal Ratio) / 2.353 : 1		

**Others**

F: TeamPowers  
R: TeamPowers

Servo Team Tires R: TeamPowers

Esc Team Powers MS

Motor Team Powers Actinium V4 21.5 T

Additive \_\_\_\_\_

Body Zoo Racing DBX

Rear Wing \_\_\_\_\_

**Remark**