

DATE

DRIVER NAME

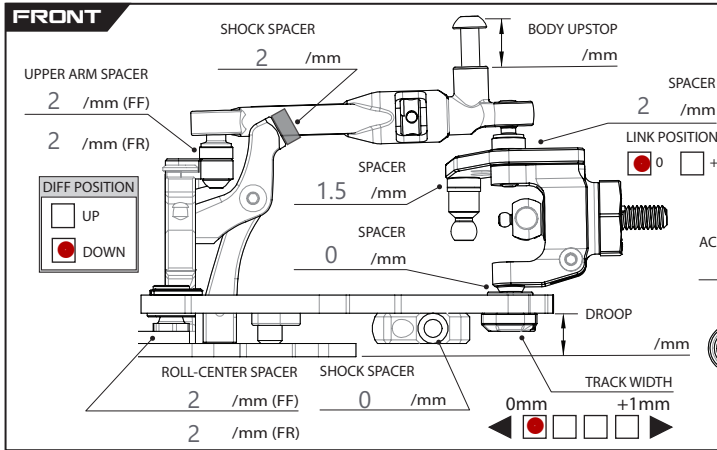
TRACK

CONDITION CARPET ASPHALT

TRACTION HIGH LOW

TEMP °C AIR TRACK

EVENT BEST LAP TIME QUALIFYING POSITION FINAL POSITION



FRONT DIFF SPOOL DIFF # /CST

WHEEL HUB 4.0mm 5.0mm

WHEEL SPACER 0 /mm

ACKERMANN SPACER 2 /mm

CENTER PLATE (8.5) (8.0)

STEERING SPACER 0 /mm

RIDE HEIGHT /mm

CAMBER °

CASTER 4° 5°

SWAY BAR 1.3 1.4 OTHERS

DOUBLE JOINT DRIVE SHAFT KIT (44.5) LONG (47)

TOE ANGLE °

SHOCK ABSORBER

OIL 400 cst /CST

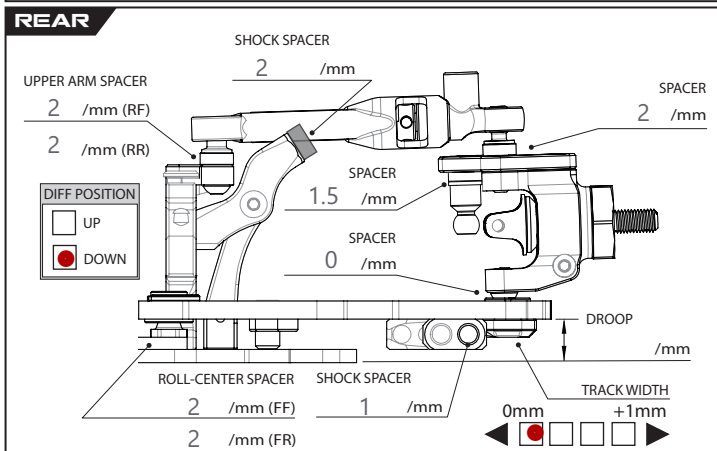
LENGTH 52.3 /mm

REBOUND 0 %

SPRING 2.6 Med-Soft

ABSORBER MEMBRANCE Kit

PISTON 3 HOLES 4 HOLES



DIFF OIL # /CST

WEIGHT g

WHEEL HUB 4.0mm 5.0mm

WHEEL SPACER 0 /mm

ANTI-ROLL BAR POSITION Outer

REAR LINK POSITION

RIDE HEIGHT /mm

CAMBER °

CASTER 0° 1° 4° 5°

SWAY BAR 1.2 1.3 OTHERS

DRIVE SHAFT ALUM SPRING STEEL

TOE ANGLE °

SHOCK ABSORBER

OIL 400 cst /CST

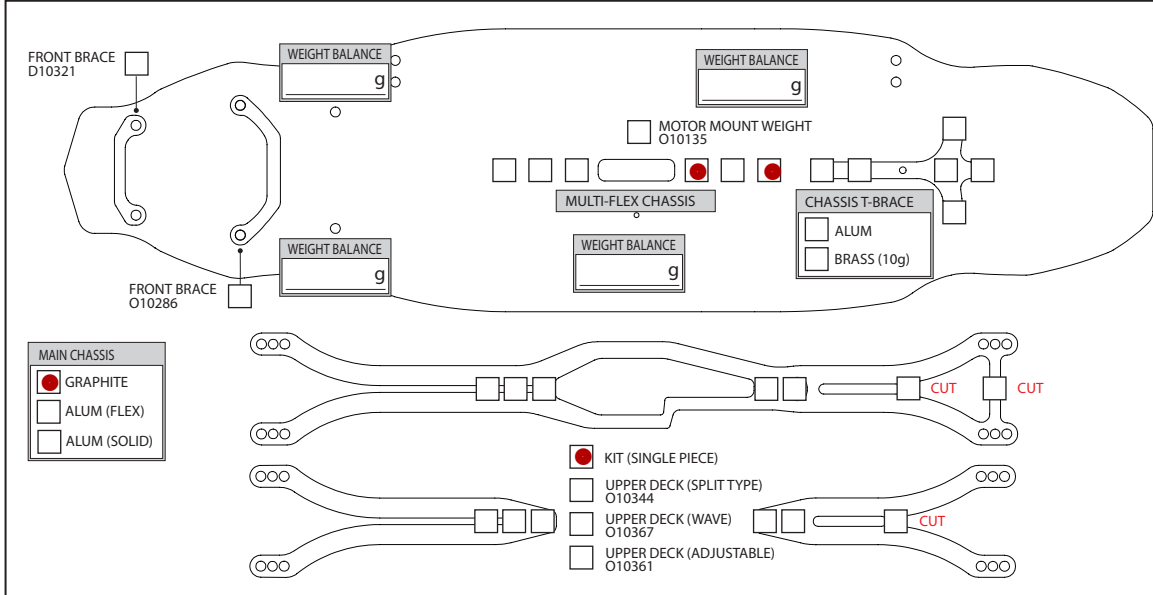
LENGTH 52.3 /mm

REBOUND 0 %

SPRING スプリング 2.5 Soft

ABSORBER MEMBRANCE Kit

PISTON 3 HOLES 4 HOLES



TRACK WIDTH FRONT /mm

REAR /mm

BATTERY PLACEMENT FORWARD BACKWARD

SERVO HORN SPACER 0 /mm

7-8 25

KIT ALUM

TIRE SETTING

FRONT	REAR
TIRE	TIRE
INSERT	INSERT
WHEEL	WHEEL
ADDITIVE	ADDITIVE
ADDITIVE TIME /MINS	ADDITIVE TIME /MINS

MOTOR TURNS

ROTOR /mm

MOTOR TIMING °

PINON GEAR T SPUR GEAR T

FINAL RATIO

ESC SETUP My Base Setup

BATTERY SHORTY BODY TOTAL WEIGHT /g

NOTE [Open in So Dialed App](#)