

Driver : _____
 Date : _____
 Track : _____
 Event : _____

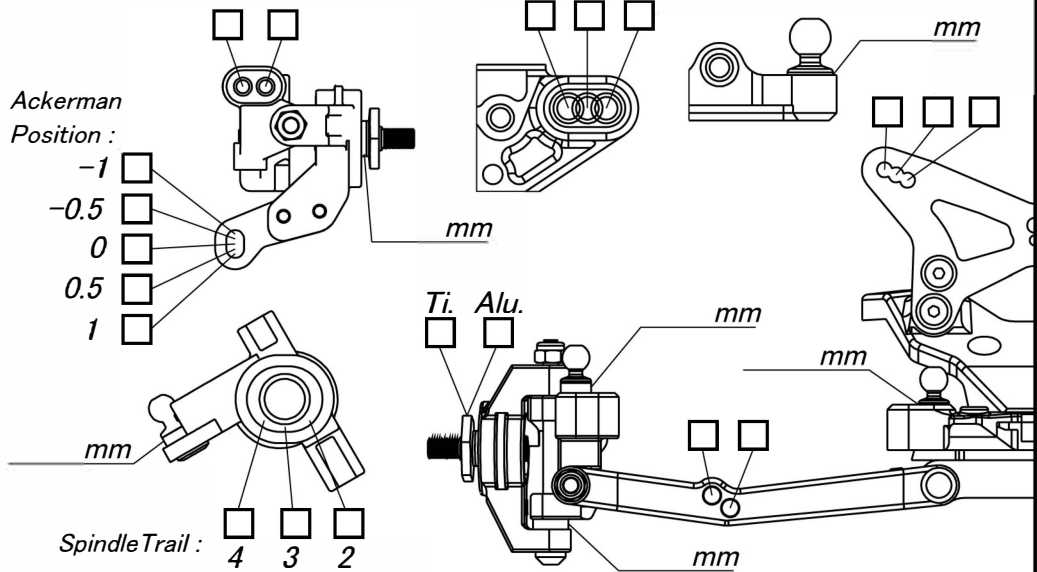
Track Condition
 Size : Open Mid Tight
 Traction : High Mid Low
 Condition : Smooth Bumpy Dry Wet
 Surface : Carpet Dirt AstroTurf

Front Suspension

Setup: My Base Setup 11/23

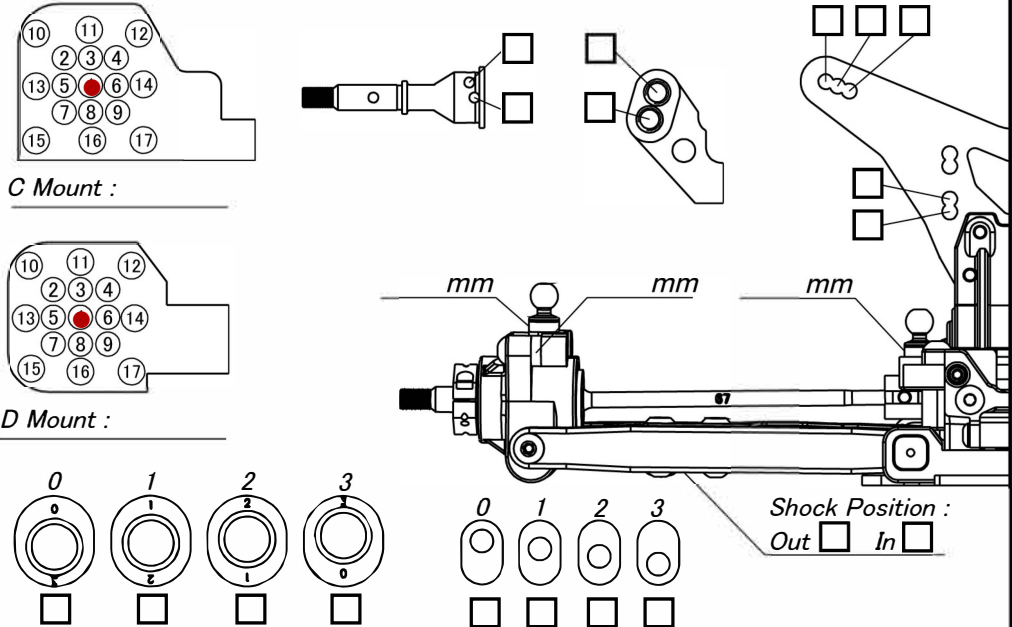
[Open in So Dialed App](#)

Ride Height : _____
 Camber : _____
 Toe : _____
 Anti-roll Bar : _____
 Front Bulkhead Spacer : _____
 Notes : _____

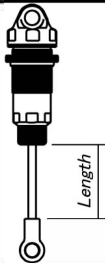


Rear Suspension

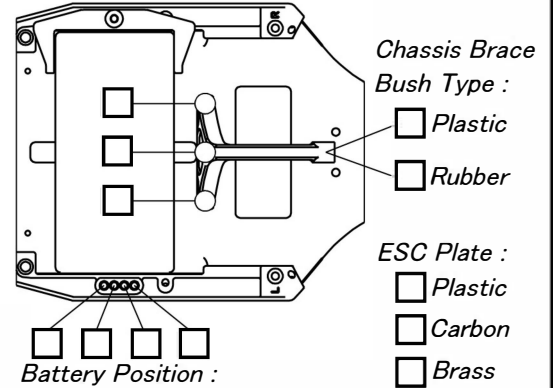
Ride Height : _____
 Camber : _____
 Anti-roll Bar : _____
 Arm Position : Fwd Back
 Hub Position : Fwd Mid Back
 Notes : _____



Shocks



	Front		Rear			
Piston :						
Oil :						
Spring :						
Length :						
Limiters :	Int :	Ext :	Int :	Ext :		
Eyelet Length :	Std <input type="checkbox"/>	+2 <input type="checkbox"/>	Std <input type="checkbox"/>	+2 <input type="checkbox"/>		
Cup Offset :	Low <input type="checkbox"/>	Mid <input type="checkbox"/>	High <input type="checkbox"/>	Low <input type="checkbox"/>	Mid <input type="checkbox"/>	High <input type="checkbox"/>



Electronics

Differential

Radio :			
Servo :	Gear Diff <input type="checkbox"/>	2 Gear <input type="checkbox"/>	Oil : _____
ESC :	Ball Diff <input type="checkbox"/>	4 Gear <input type="checkbox"/>	Friction O-ring : _____
Motor :	Tire	Setting :	
Gearing : /	Front	Rear	
Battery : / g	Type :		
Weight		Compound :	
Servo Weight : Yes <input type="checkbox"/> No <input type="checkbox"/>	Inserts :		
Battery Weight : 19g <input type="checkbox"/> 37g <input type="checkbox"/>	Wheel :		
	Additive :		

Total Weight : _____ g

Body & Wing

Body : _____
 Rear Wing : _____
 Wing Angle : 0° 3° 6°
 Front Wing : _____ Low : High :